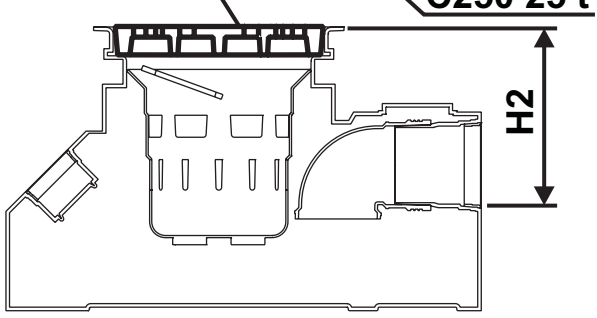
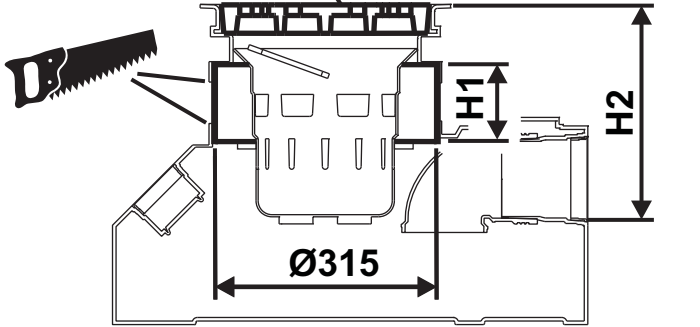


HEK 40 LK / HEK 140 LK / MiniPEK 02

① $H2 = 250$ $\varnothing 300$ mm B125 15 t
C250 25 t

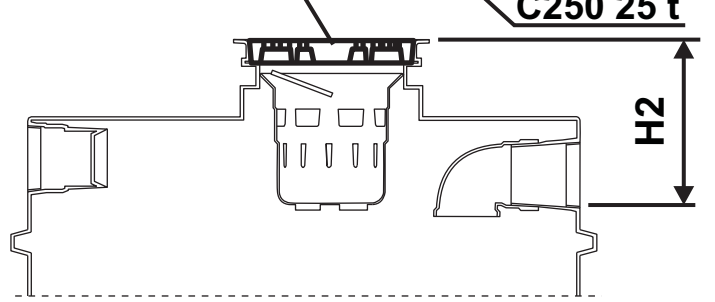


$H2 > 250$
 $H1 = H2 - 200$ $\varnothing 300$ mm B125 15 t
C250 25 t

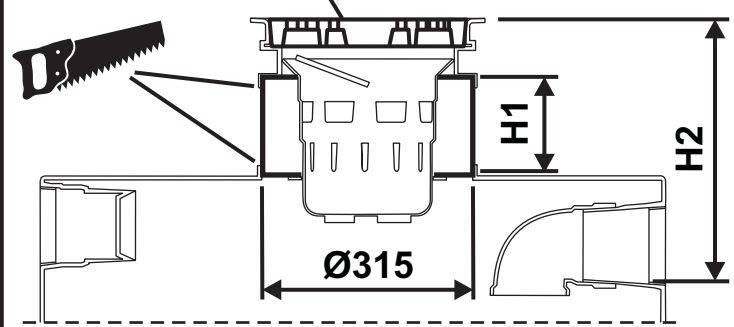


HEK 220 LK / HEK 300 LK / HEK 450 LK /
MiniPEK S 0,4 / MiniPEK 0,4 / MiniPEK 0,6

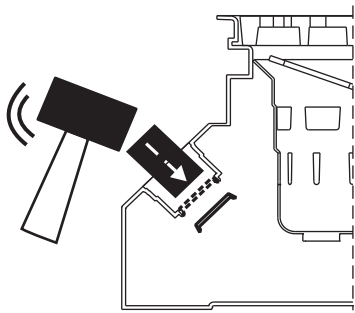
① $H2 = 300$ $\varnothing 300$ mm B125 15 t
C250 25 t



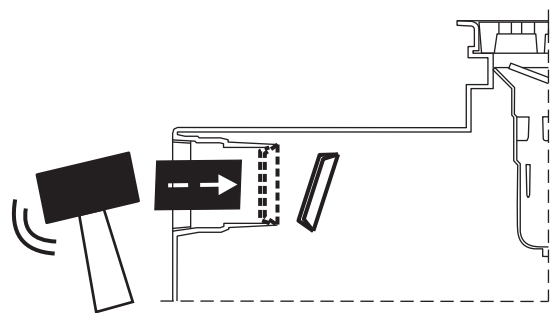
$H2 > 300$
 $H1 = H2 - 250$ $\varnothing 300$ mm B125 15 t
C250 25 t



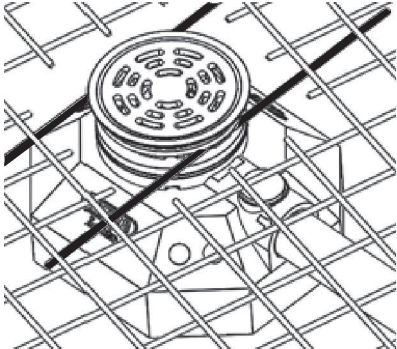
(2)



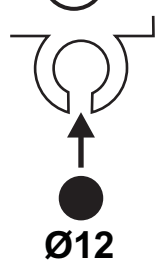
(2)



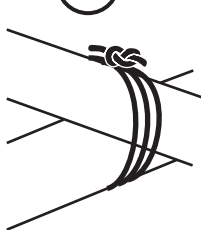
③



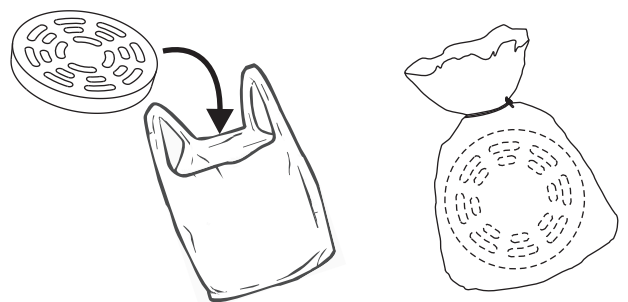
③a



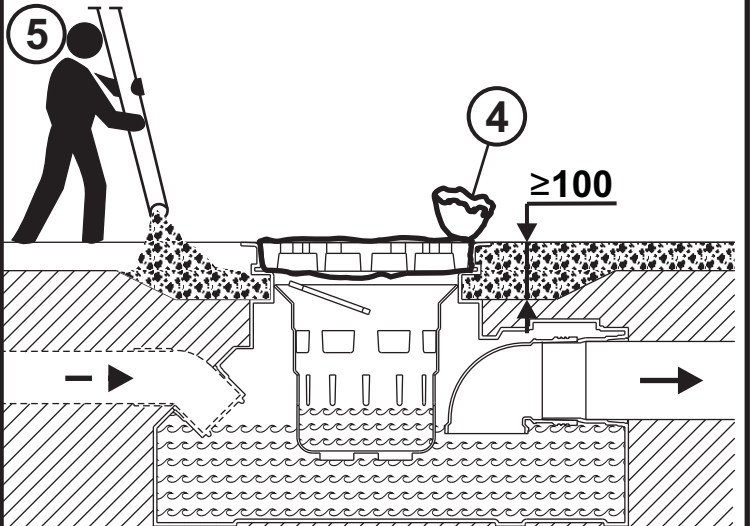
③b



④



⑤



01AF04ds



WAVIN
Labko

+358 (0)20
1285 200

www.wavin-labko.fi
info@wavin-labko.fi