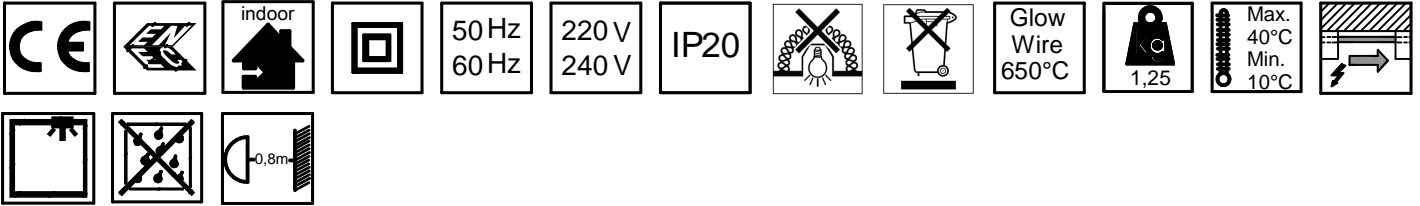
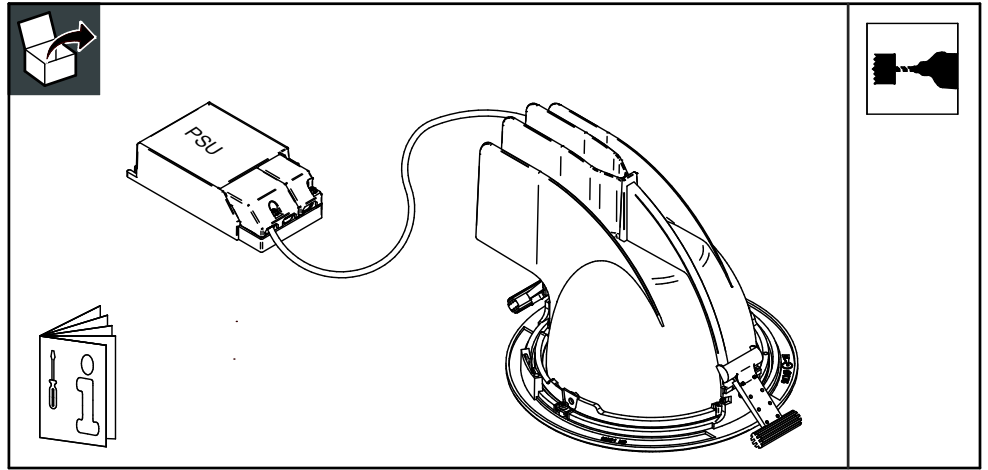


# PHILIPS

## GreenSpace Accent Elbow

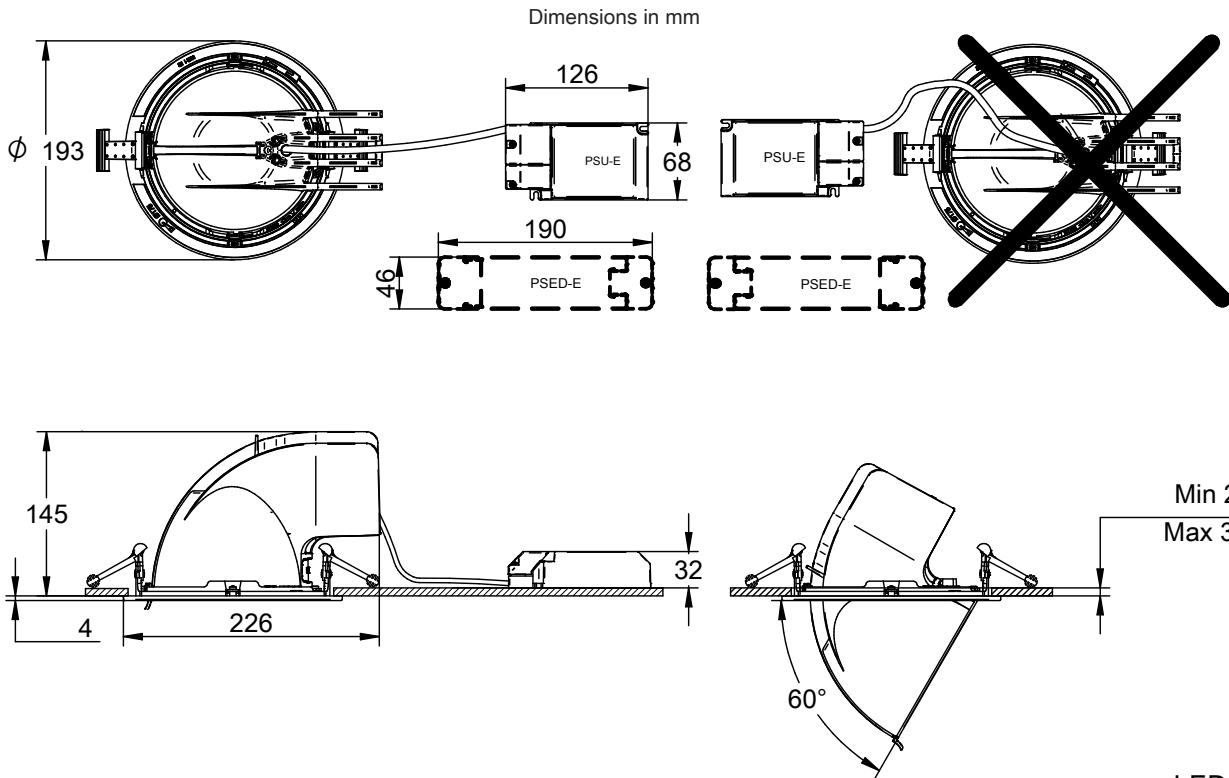
RS342B



Product family	Optic	CCT	Driver		P [W]		Optic			Cable	
			PSU-E	PSD-E	max.	nom.	NB	MB	WB	CW	CW-L
RS342B	LED17S	827	•	•	18.5	16.6		•	•	•	•
		830	•	•	19.6	18		•	•	•	•
		840	•	•	19.6	18		•	•	•	•
		CRW	•	•	22.5	21		•	•	•	•
		PW9	•	•	21	19.4		•	•	•	•
	LED19S	FMT	•	•	32.5	30		•	•	•	•
	LED26S	FMT	•	•	51	46.5		•	•	•	•
	LED27S	827	•	•	30.5	27.5	•	•	•	•	•
		830	•	•	31.5	29	•	•	•	•	•
		840	•	•	28.5	26	•	•	•	•	•
		CH	•	•	48.5	44.5		•	•	•	•
		CRW	•	•	36.5	33.5	•	•	•	•	•
		PW9	•	•	31.5	28.5	•	•	•	•	•
	LED35S	830	•	•	35.5	32.5		•	•	•	•
		840	•	•	31.5	29		•	•	•	•
	LED39S	827	•	•	46.5	42		•	•	•	•
		830	•	•	42.5	38.5		•	•	•	•
		840	•	•	39	35		•	•	•	•
		CRW	•	•	54.5	51		•	•	•	•
		PW9	•	•	53.5	48		•	•	•	•

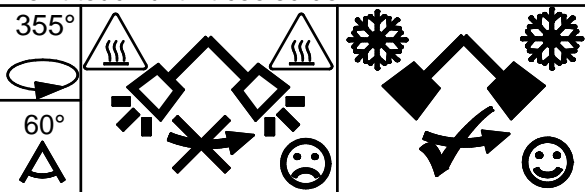
Main dimensions

1a

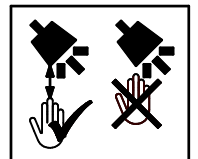


LED39S

Don't touch until it cooled down



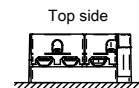
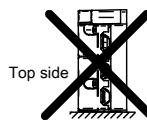
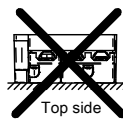
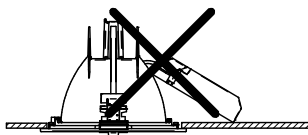
LED39S



Mounted out of arms reach

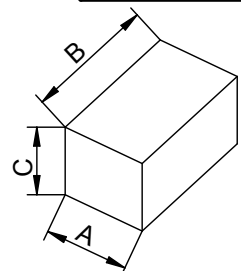
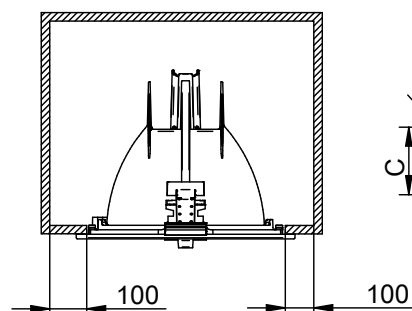
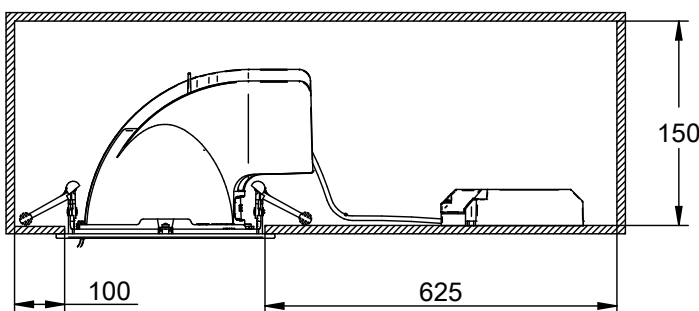
Installation positions

1b



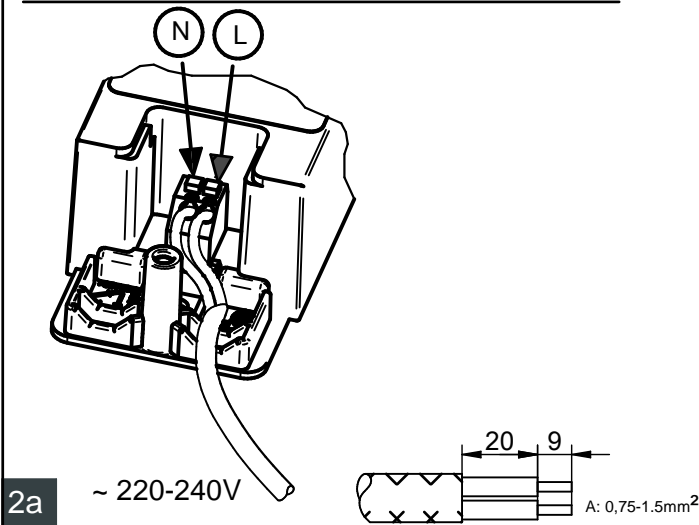
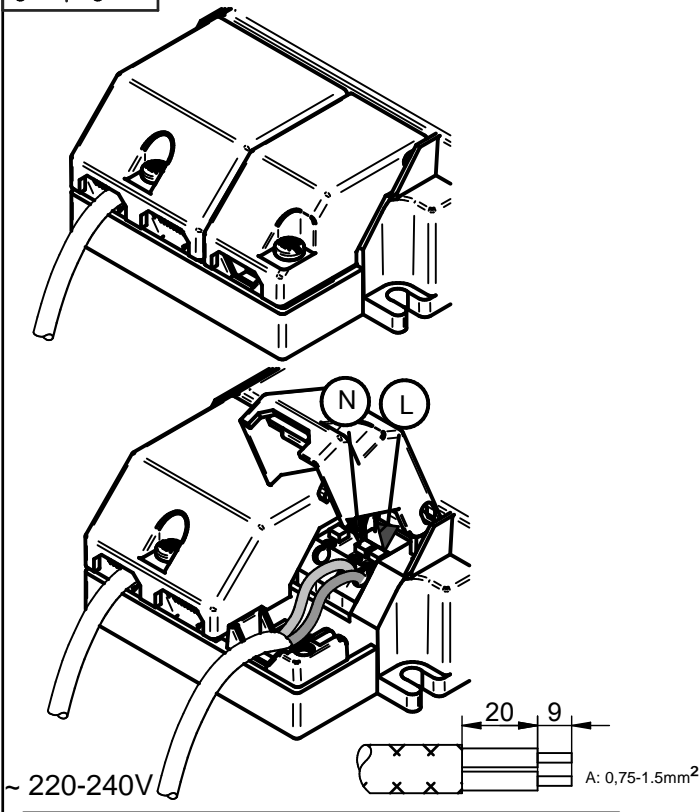
Built in box size

A	375
B	150
C	900





## PSU-E



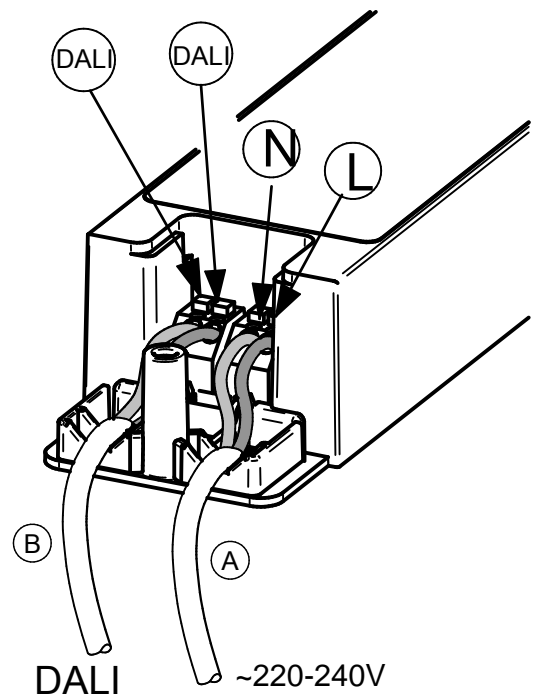
2a

~ 220-240V

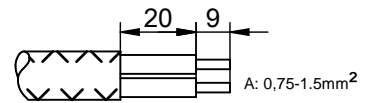
A: 0,75-1.5mm<sup>2</sup>

2b

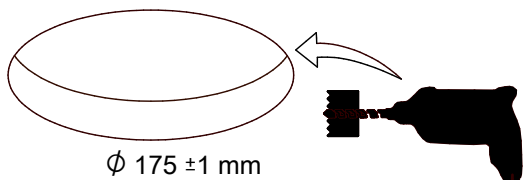
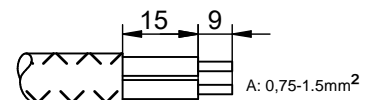
## PSD-E



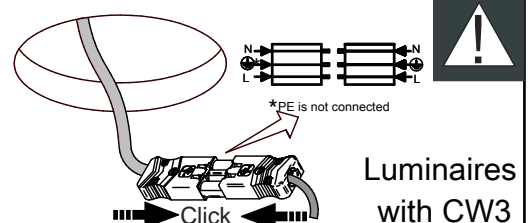
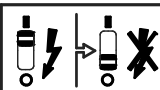
A: ~220-240V cable



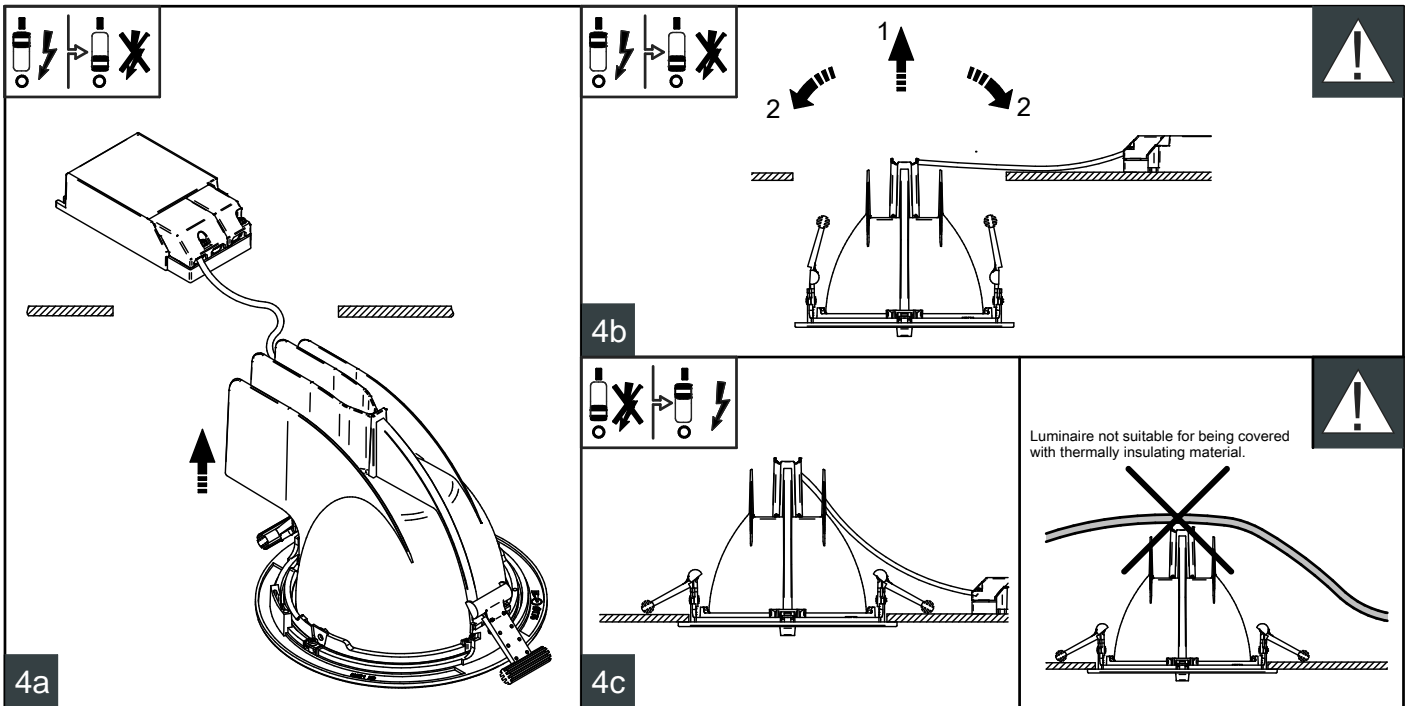
B: DALI cable



3a

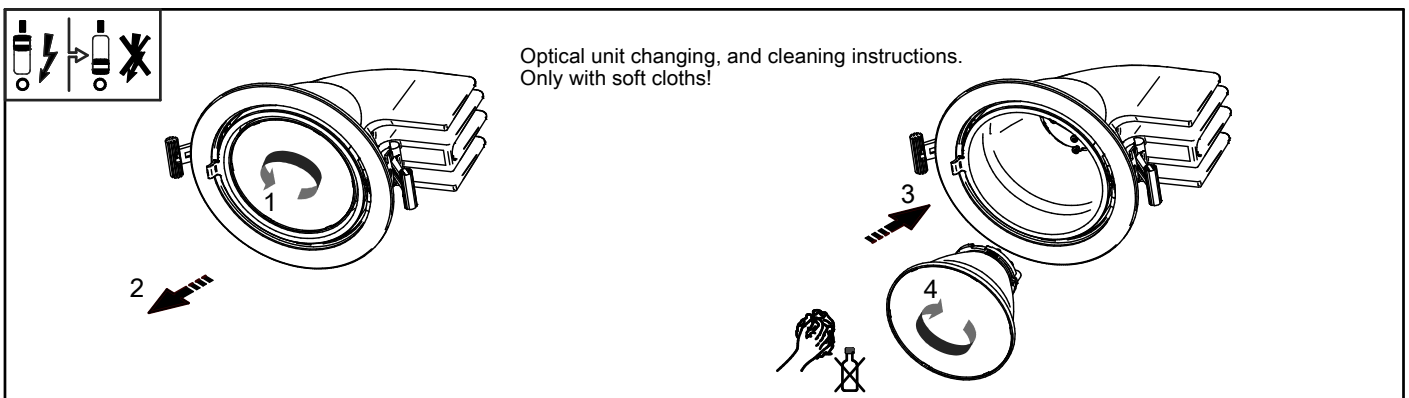


3b



LED17S		LED17S/LED27S/LED19S/LED35S		LED26S/LED27S		LED17S/LED27S/LED35S		LED19S/LED26S/LED27S/LED39S	
LED Driver 25W 0.3-1A 36V   230V		LED driver 36W 0.3-1A 48V   230V		LED Driver 50W 0.7-1.5A 44V   230V		Xitanium 36W 0.3-1A 48V TD/I 230V		Xitanium 50W LH 0.7-1.5A 48V TD/I 230V	
929001409080		929000892506		929000892606		929000870806		929000904106	
$I_{nom}[A]$	0.15	$I_{nom}[A]$	0.2	$I_{nom}[A]$	0.28	$I_{nom}[A]$	0.19	$I_{nom}[A]$	0.32
$I_{peak}[A]$	5.2	$I_{peak}[A]$	6	$I_{peak}[A]$	23	$I_{peak}[A]$	20	$I_{peak}[A]$	5.3
$T_{ref}[us]$	50	$T_{ref}[us]$	55	$T_{ref}[us]$	280	$T_{ref}[us]$	250	$T_{ref}[us]$	700
MCB	Max products [pcs]*	MCB	Max products [pcs]*	MCB	Max products [pcs]*	MCB	Max products [pcs]*	MCB	Max products [pcs]*
B-16A type B	74	B-16A type B	39	B-16A type B	19	B-16A type B	32	B-16A type B	30
PSU-E					PSD-E				

Inrush current



© 2016 Philips Lighting Holding B.V.  
All rights reserved. Reproduction in whole or in part is prohibited without the prior written consent of the copyright owner.  
The information presented in this document does not form part of any quotation or contract, is believed to be accurate and reliable and may be changed without notice. No liability will be accepted by the publisher for any consequence of its use.  
Publication thereof does not convey nor imply any license under patent- or other industrial or intellectual property rights.