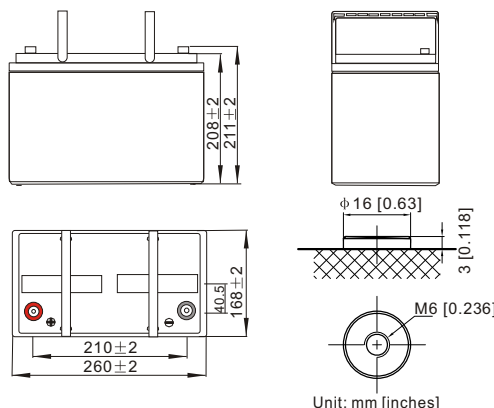




CT SERIES-General Purpose

460-8620 CT12-320W (12V82.0AH)



Application

- ◆ UPS (High rate)
- ◆ High power backup supply
- ◆ Emergency power supply
- ◆ Emergency lighting
- ◆ Electric starting

Specification

Battery Type	Valve-Regulated, Absorbed Glass Mat		Self Discharge	≤3% of capacity declined per month at 25°C
Capacity	324.6Watts/cell	15min rate(1.67V/cell)	Current	Max. Discharge Current(5s) 1230A
	82.0AH	20HR(1.80V/cell)		Initial Charging Current Less than 24.6A
Dimensions	Length	260mm(10.2inches)	Operating Temp. Range	Discharge -15~50 °C(5~122 °F)
	Width	168mm(6.61inches)		Charging 0~40 °C(32~104 °F)
	Height	208mm(8.19inches)		Storage -15~40 °C(5~104 °F)
	Total height	211mm(8.31inches)	Internal Resistance	Approx 4.5mΩ(25 °C)
Approx Weight	Approx 24.0 kg (52.9lbs)		Container Material	ABS
			Terminal	T6

Constant Power Discharge (Watts/Cell) at 25 °C (77°F)

F.V/Time	5min	10min	15min	20min	30min	45min	1h	2h	3h	4h	5h	6h	8h	10h	20h
1.85V/cell	363.7	282.0	247.8	217.9	168.9	127.0	102.5	58.4	41.9	32.9	27.4	23.7	18.8	15.8	8.30
1.80V/cell	413.0	307.7	269.0	232.7	176.4	130.6	105.2	59.9	42.9	33.7	28.1	24.3	19.3	16.1	8.42
1.75V/cell	465.0	342.2	290.0	244.5	182.2	133.6	107.2	61.3	43.7	34.3	28.6	24.7	19.6	16.3	8.53
1.70V/cell	506.0	366.8	305.4	257.5	189.6	137.9	109.5	61.9	44.4	34.9	29.1	25.0	19.8	16.5	8.61
1.67V/cell	555.3	396.5	324.6	267.6	196.7	141.4	112.0	62.7	44.9	35.3	29.4	25.2	20.0	16.7	8.72
1.60V/cell	603.6	423.4	339.1	279.0	202.3	145.1	113.5	63.3	45.1	35.7	29.7	25.5	20.2	16.8	8.73

Constant Current Discharge (Amperes) at 25 °C (77°F)

F.V/Time	5min	10min	15min	20min	30min	45min	1h	2h	3h	4h	5h	6h	8h	10h	20h
1.85V/cell	187.0	144.2	126.0	110.2	85.0	63.6	51.2	29.1	20.7	16.2	13.5	11.6	9.19	7.70	4.02
1.80V/cell	214.5	158.9	138.1	118.8	89.5	65.9	52.9	30.0	21.4	16.7	13.9	12.0	9.46	7.86	4.10
1.75V/cell	244.0	178.4	150.2	126.0	93.3	68.0	54.3	30.9	21.9	17.1	14.2	12.3	9.66	8.00	4.17
1.70V/cell	268.6	193.4	160.1	134.1	98.1	70.9	55.9	31.4	22.4	17.6	14.6	12.5	9.82	8.14	4.24
1.67V/cell	297.2	210.6	171.2	140.2	102.3	73.0	57.5	32.0	22.8	17.8	14.8	12.6	9.99	8.28	4.31
1.60V/cell	326.7	227.3	180.7	147.6	106.3	75.7	58.8	32.6	23.1	18.2	15.1	12.9	10.2	8.43	4.36

Specifications subject to change without notice.