

# ISD SERIES

ALUMINIUM SATELLITE DISHES  
REF.7930xx & 7931xx



Nilesat

TURKSAT



## DESIGNED TO LAST

- Improved design to make assembly easier
- Resistant structure
- Two sizes: 630 and 830
- Fiberglass reinforced
- Aluminium dish and stainless steel screws



FIBERGLASS  
REINFORCED



ALLUMINIUM



STAINLESS  
STEEL SCREWS



UNIVERSAL



HDTV



100% Designed, Developed & Manufactured in Televes Corporation  
televescorporation ■ televes.com ■ televes@televes.com

# Televes®

## DESIGNED TO LAST

### DESCRIPTION

This new range of satellite dishes is built using aluminium and stainless steel to guarantee the protection against rust.

The bracket and LNB holder are built using a special polymer widely used in a highly professional sector, and reinforced with fiberglass for an extreme resistance.

Its improved structure has been designed to make assembly easier.

### HIGHLIGHTS & MAIN FEATURES:

#### Flexible LNB holder

Made of fiberglass

#### Hide the cables in the arm

Made of aluminium

#### Best performance against corrosion

Aluminium dish and stainless steel screws

#### Robust pole clamp and bracket with two "U" type bolts

Made of ZAMAK

#### Adjustable elevation angle

From 0 to 90°

#### High resistance reflector bracket

Made of fiberglass



### HOW DOES FIBERGLASS IMPROVE OUR PRODUCTS?

Fiberglass Reinforced Plastics last longer, they are anti-magnetic, fire resistant and provide excellent electrical insulation. But the main reasons fiberglass materials improve our Satellite Dishes are:

- Increased resistance to corrosion.
- Reduced weight, seven times less than steel and half as much as aluminium.
- High strength to weight ratios, making installations easier.
- Flexibility, improving material performance in harsh climatic conditions.

REF.	DESCRIPTION	RAL	EAN 13
<b>630</b>			
793001	ISD OFFSET DISH 630 AL. G36.2dBi ORA.1U	1007	8424450184714
793002	ISD OFFSET DISH 630 AL. G36.2dBi WHI.1U	9002	8424450184721
793003	ISD OFFSET DISH 630 AL. G36.2dBi GRA.1U	7011	8424450184738
793004	ISD OFFSET DISH 630 AL. G36.2dBi RED 1U	8012	8424450184745
793011	ISD OFFSET DISH 630 AL. G36.2dBi ORA.10U	1007	8424450184752
793012	ISD OFFSET DISH 630 AL. G36.2dBi WHI.10U	9002	8424450184769
793013	ISD OFFSET DISH 630 AL. G36.2dBi GRA.10U	7011	8424450184776
793014	ISD OFFSET DISH 630 AL. G36.2dBi RED 10U	8012	8424450184783
<b>830</b>			
793101	ISD OFFSET DISH 830 AL. G39dBi ORA.1U	1007	8424450184790
793102	ISD OFFSET DISH 830 AL. G39dBi WHI.1U	9002	8424450184806
793103	ISD OFFSET DISH 830 AL. G39dBi GRA.1U	7011	8424450184813
793104	ISD OFFSET DISH 830 AL. G39dBi RED 1U	8012	8424450184820
793111	ISD OFFSET DISH 830 AL. G39dBi ORA.5U	1007	8424450184844
793112	ISD OFFSET DISH 830 AL. G39dBi WHI.5U	9002	8424450184851
793113	ISD OFFSET DISH 830 AL. G39dBi GRA.5U	7011	8424450184868
793114	ISD OFFSET DISH 830 AL. G39dBi RED 5U	8012	8424450184875

# ALUMINIUM SATELLITE DISHES, DESIGNED TO LAST

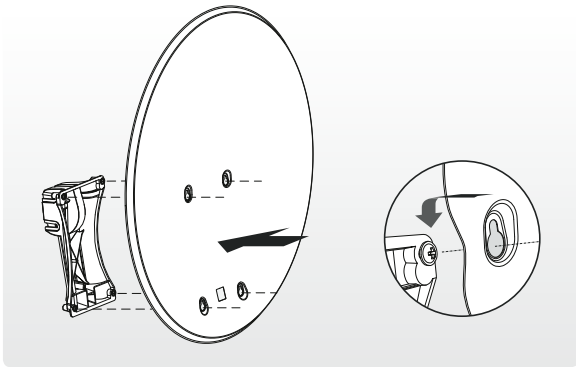
## IMPROVED DESIGN TO MAKE ASSEMBLY EASIER

QR-A00371

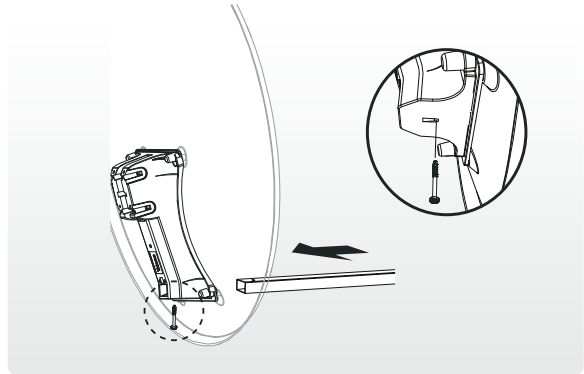


Scan the QR code to watch the video:  
Satellite Dish Assembly.

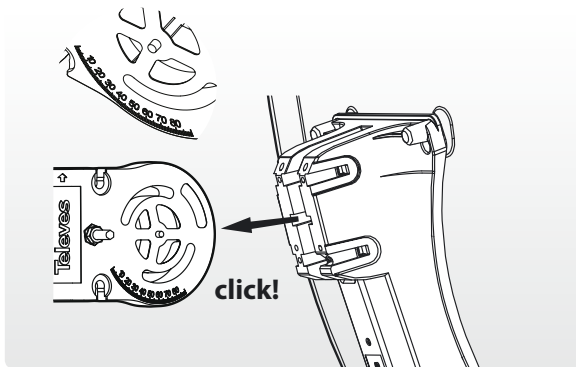
EN.TELEVES.COM/630-830



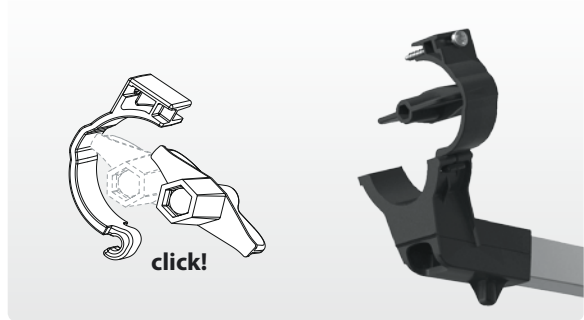
Support with pre-assembled screws and protected against rust.  
Easy dish mounting thanks to the shape of the holes.



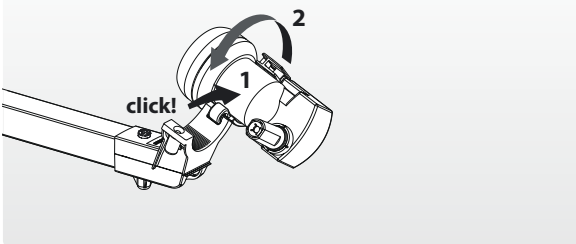
Quick mounting of the arm dish.  
Just one screw needed.



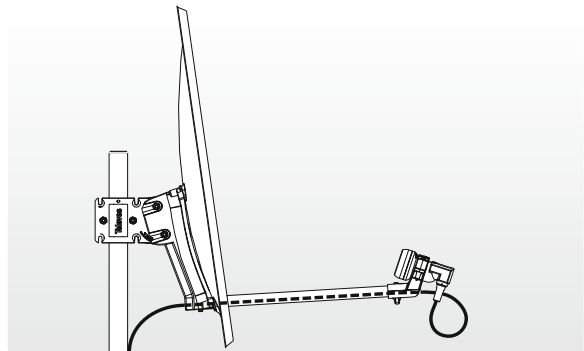
The reflector bracket fits easily on the elevation mechanism.  
Adjustable elevation angle from 0 to 90°



Integrated 10mm nut spinner in the LNB holder.  
Just break the plastic and tighten the nuts.



Fit the LNB in the holder and keep it fixed during the installation.



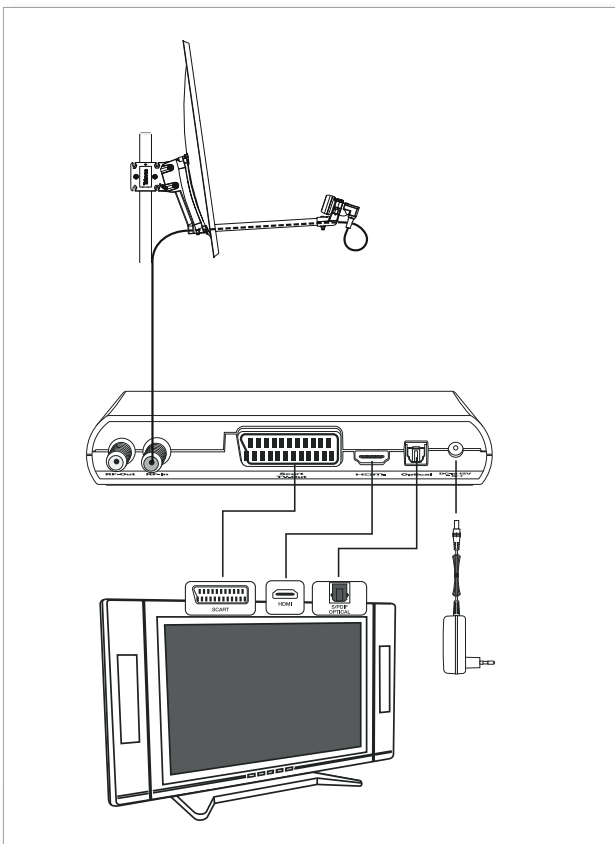
The coaxial cable remains hidden inside the aluminium arm.

# ALUMINIUM SATELLITE DISHES

TECHNICAL SPECIFICATIONS

Offset		630	830
Frequency	GHz	10.7 ... 12.75	
Gain	dBi	35.5 @ 11.7 GHz	38 @ 11.7 GHz
Offset angle	°	26.2	26.6
Elevation angle	°	0 ... 90	
Thickness	mm	0.8	
Windload	N	278.4 @ 130 Km/h	499.2 @ 130Km/h
		382.8 @ 150 Km/h	686.4 @150 Km/h
Mast diameter	mm	20 ... 60	
Dish size	mm	575 x 637	747 x 833

APPLICATION EXAMPLE



JANUARY 2018