

Philips Decoscene Medium DBP522 / Large DBP523

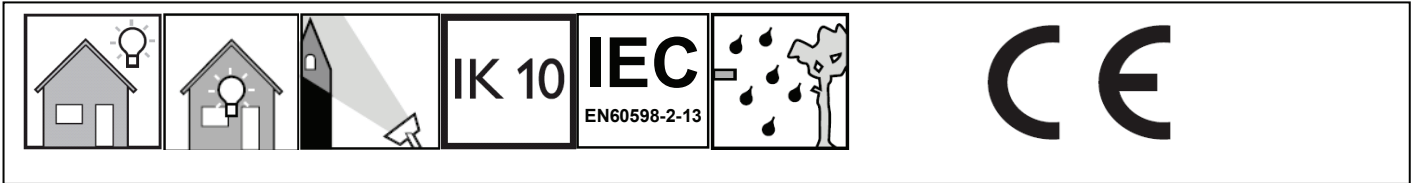
Mounting instructions

Instructions de montage
Montageanleitung
Montage instructie
Istruzioni di montaggio

Instrucciones de montaje
Instrucces de montagem
Monteringsinstruktioner
Monteringsvejledning

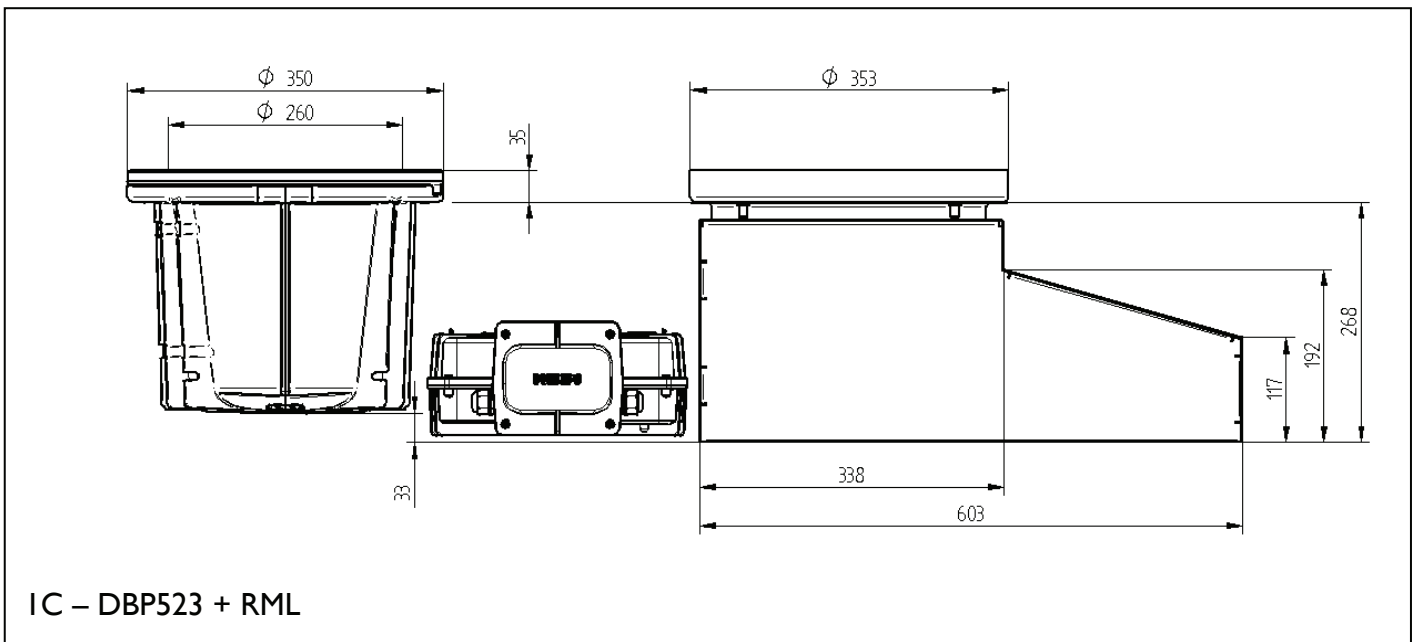
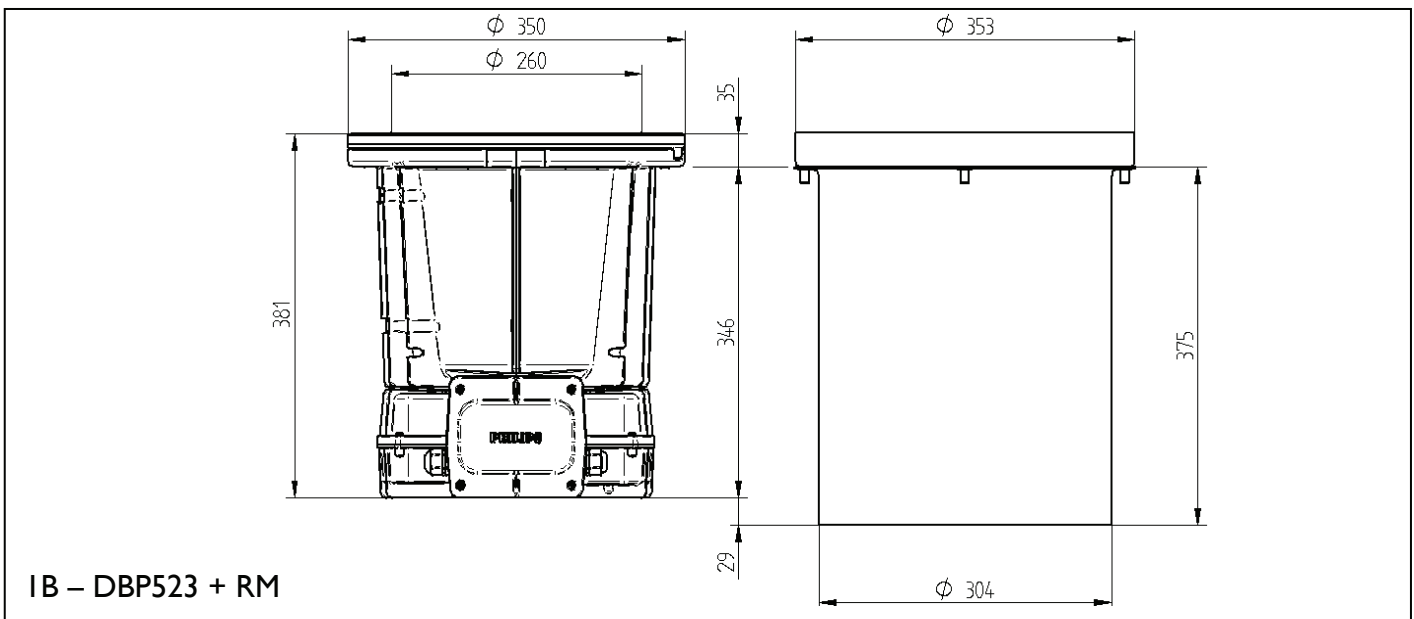
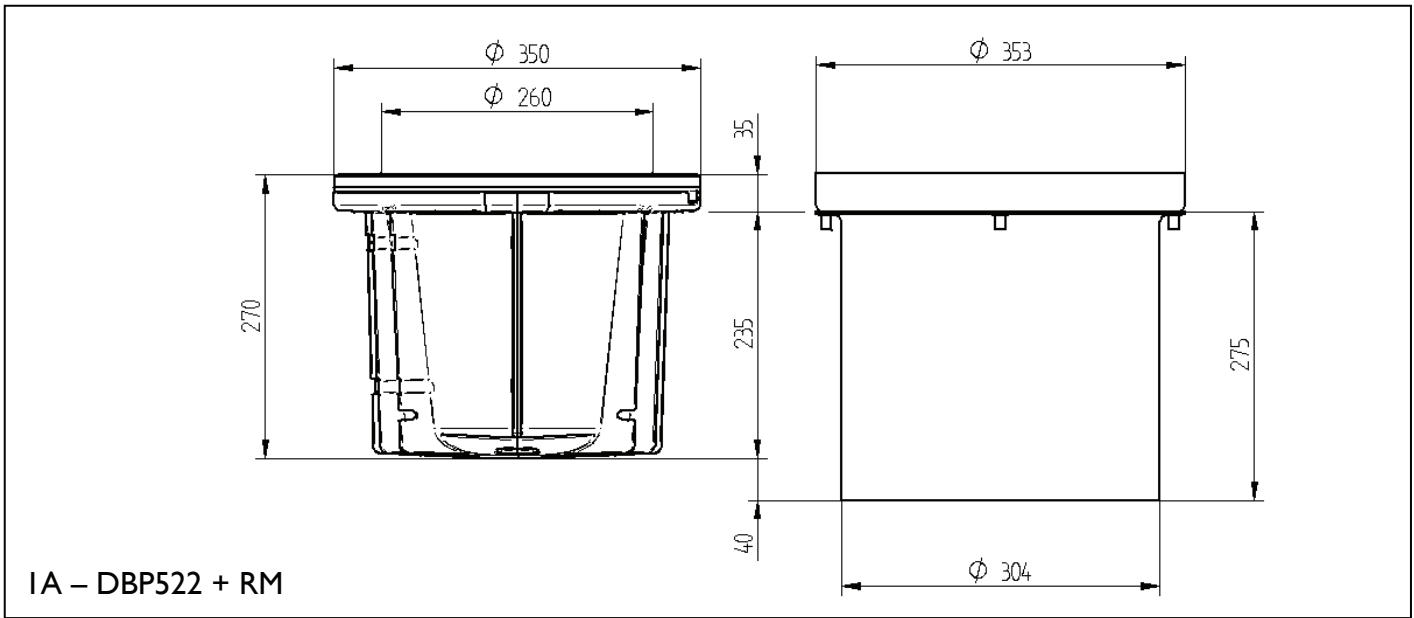
Kokoonpano- ja Kiinnitysohjeet
Montaj yonergesi
Οδηγίες τήξεσσνομηθτθΧ
Instrukcja montazu

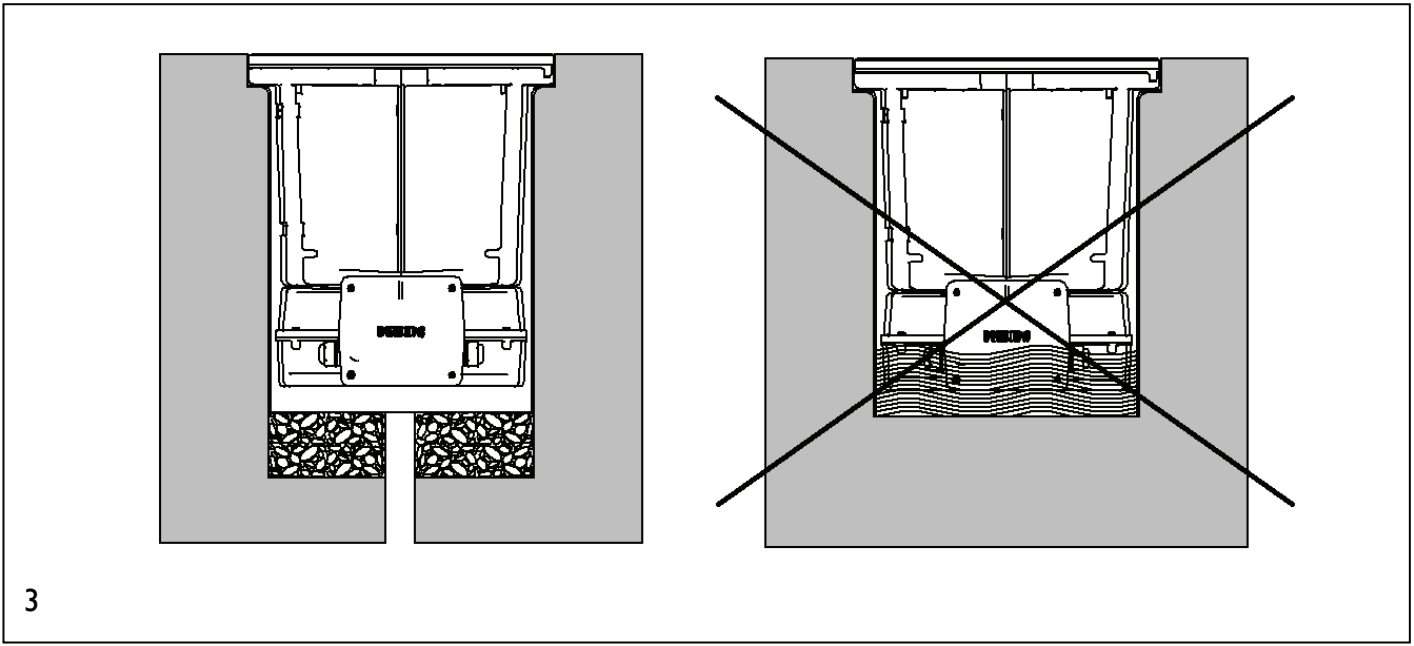
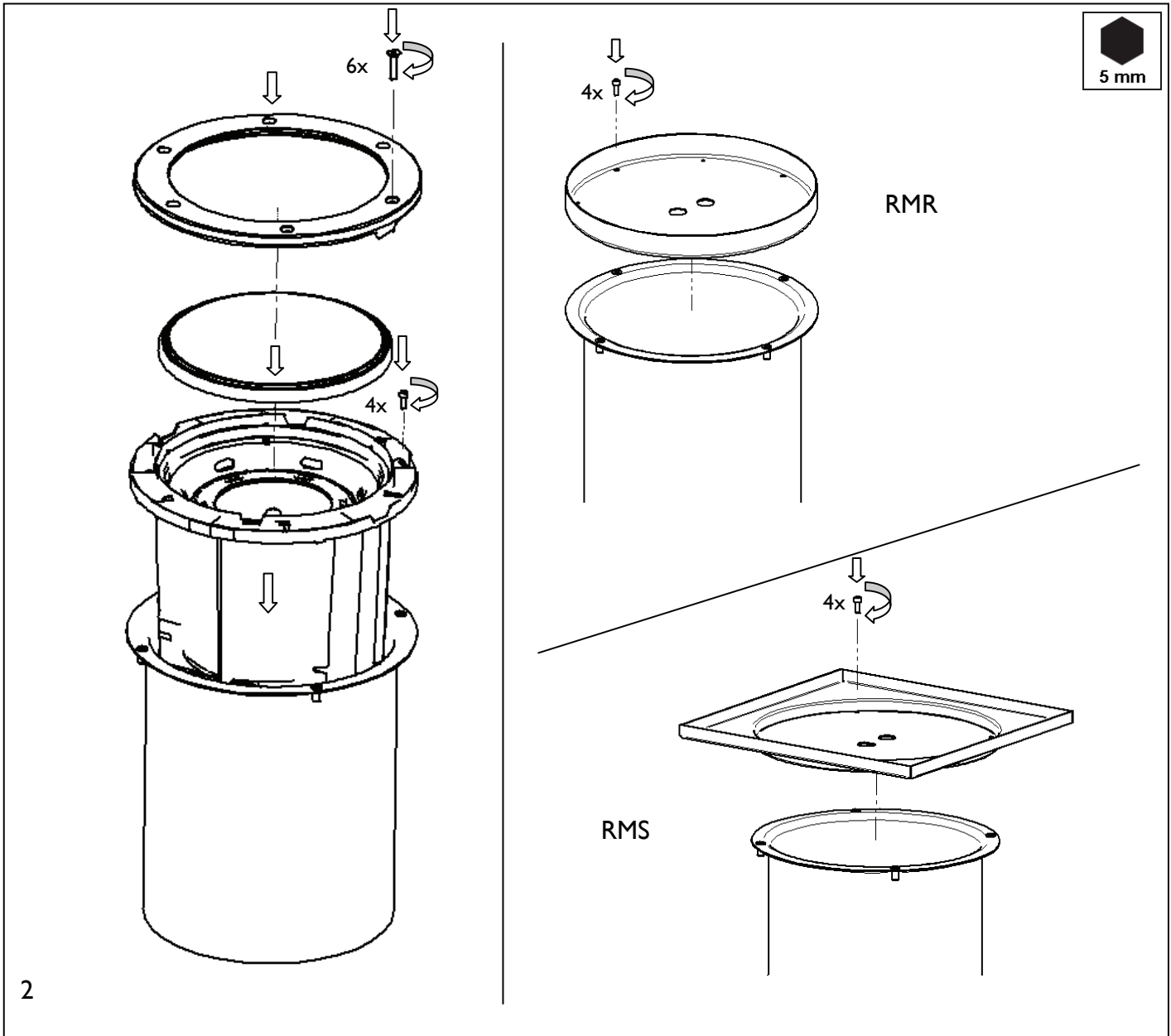
Szerelesi utasitasok
Navod k montazi
bycnerwoz gi vjynf:fe
Navod k montazi

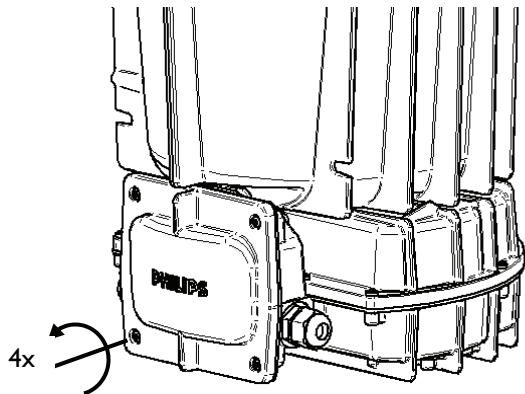


		BALLAST		IP..					Glass T °C	HPG			I Nom. (Mains)
DBP522	CDM-T 35W	EB	9.1	67	●	●		25	74		5000	●	0.20A
DBP522	CDM-T 35W	CONV	10.2	67	●	●		25	80		5000	●	0.24A
DBP522	CDM-T 70W	EB	9.1	67	●	●		25	101	80	5000	●	0.34A
DBP522	CDM-T 70W	CONV	10.2	67	●	●		25	109		5000	●	0.45A
DBP522	CDM-TD 70W	EB	9.1	67	●	●		25	92	77	5000	●	0.34A
DBP522	CDM-TD 70W	CONV	10.2	67	●	●		25	91		5000	●	0.34A
DBP522	SDW-TG 50W	EB	9.1	67	●	●		25	90	75	5000	●	0.26A
DBP522	SDW-TG 100W	EB	9.1	67	●	●		25	124		5000	●	0.55A
DBP523	CDM-T 35W	EB	10.6	67	●	●	●	25	74		5000	●	0.20A
DBP523	CDM-T 35W	CONV	11.6	67	●	●	●	25	74		5000	●	0.24A
DBP523	CDM-T 70W	EB	10.7	67	●	●	●	25	101	80	5000	●	0.34A
DBP523	CDM-T 70W	CONV	11.9	67	●	●	●	25	101	80	5000	●	0.45A
DBP523	CDM-T 150W	EB	11.2	67	●	●	●	25	186		5000	●	0.75A
DBP523	CDM-T 150W	CONV	12.5	67	●	●	●	25	186		5000	●	0.89A
DBP523	CDM-TD 70W	EB	10.7	67	●	●	●	25	92	77	5000	●	0.34A
DBP523	CDM-TD 70W	CONV	11.9	67	●	●	●	25	92	77	5000	●	0.45A
DBP523	CDM-TD 150W	EB	11.2	67	●	●	●	25	150		5000	●	0.75A
DBP523	CDM-TD 150W	CONV	12.5	67	●	●	●	25	150		5000	●	0.89A
DBP523	SDW-TG 50W	EB	10.8	67	●	●	●	25	90	75	5000	●	0.26A
DBP523	SDW-TG 100W	EB	10.8	67	●	●	●	25	124		5000	●	0.55A

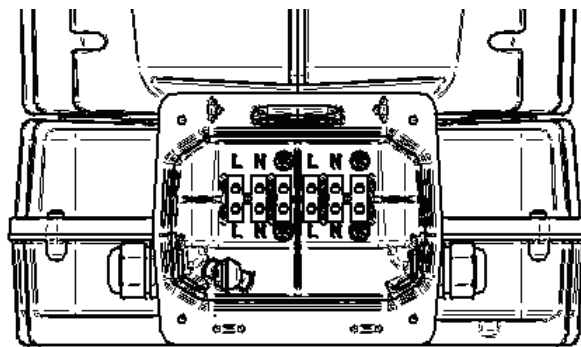
	BALLAST		BALLAST
<u>CDM-T 35W/830</u>	<u>EB / CONV</u>	<u>CDM-TD 150W/830</u>	<u>EB / CONV</u>
<u>CDM-T 35W/942</u>	<u>EB</u>	<u>CDM-TD 150W/942</u>	<u>EB / CONV</u>
<u>CDM-T 70W/830</u>	<u>EB / CONV</u>		
<u>CDM-T 70W/942</u>	<u>EB / CONV</u>		
<u>CDM-T 150W/830</u>	<u>EB / CONV</u>		
<u>CDM-T 150W/942</u>	<u>EB / CONV</u>		
<u>CDM-TD 70W/830</u>	<u>EB / CONV</u>		
<u>CDM-TD 70W/942</u>	<u>EB / CONV</u>		
<u>SDW-TG 50W/825</u>	<u>EB</u>		
<u>SDW-TG 100W/825</u>	<u>EB</u>		



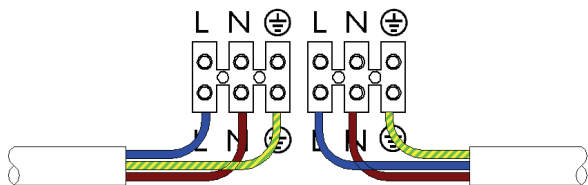





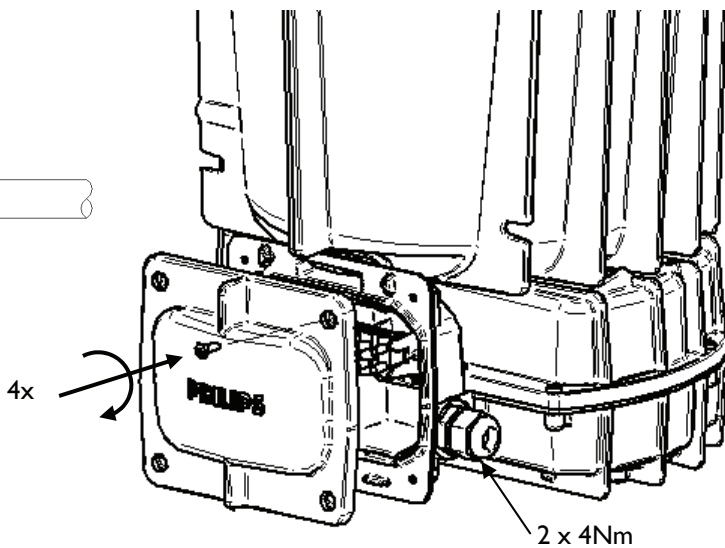
4a – DBP523 ONLY



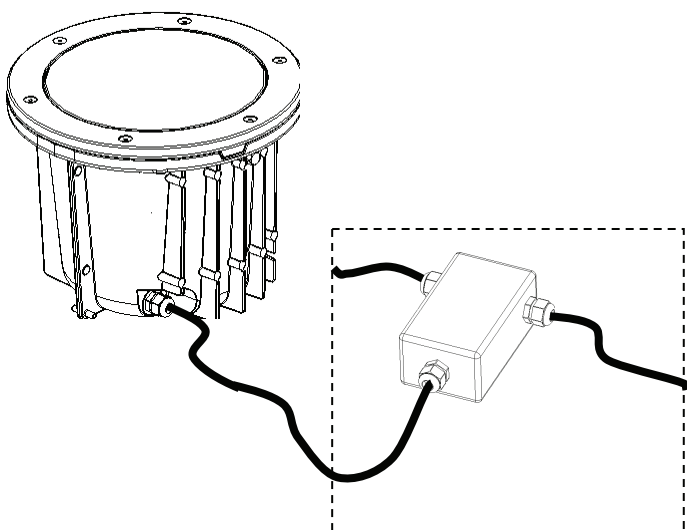
4b – DBP523 ONLY




CABLE 3x2.5mm² H07RNF 6A MAX
CABLE 2x2.5mm² H07RNF  6A MAX

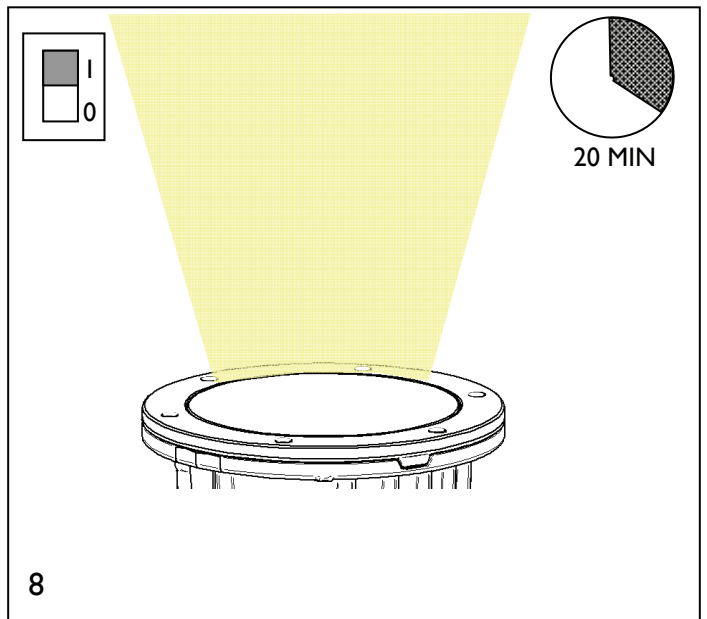
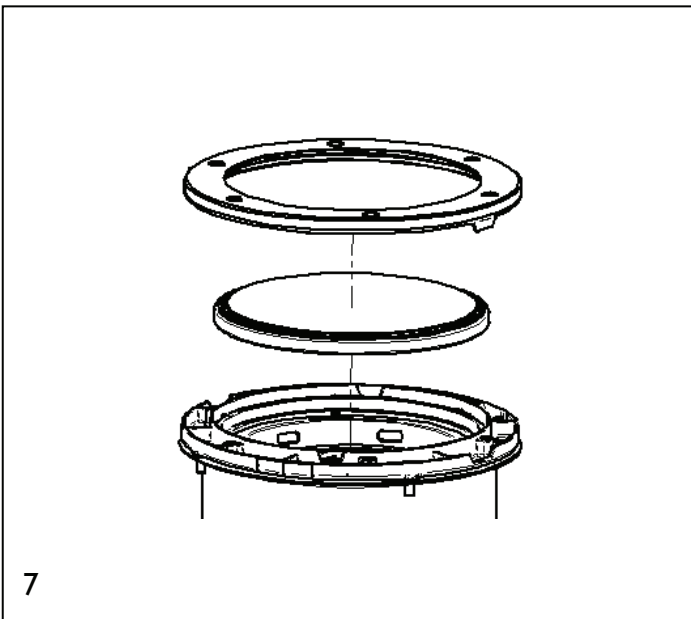
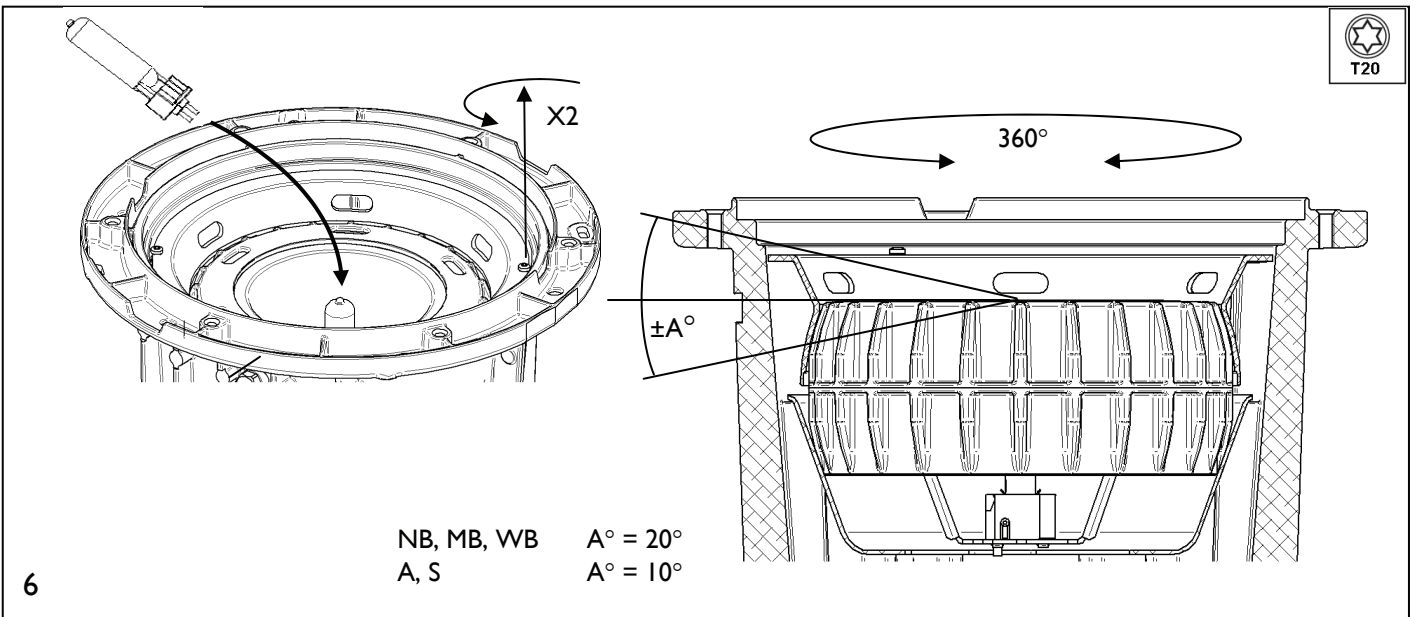
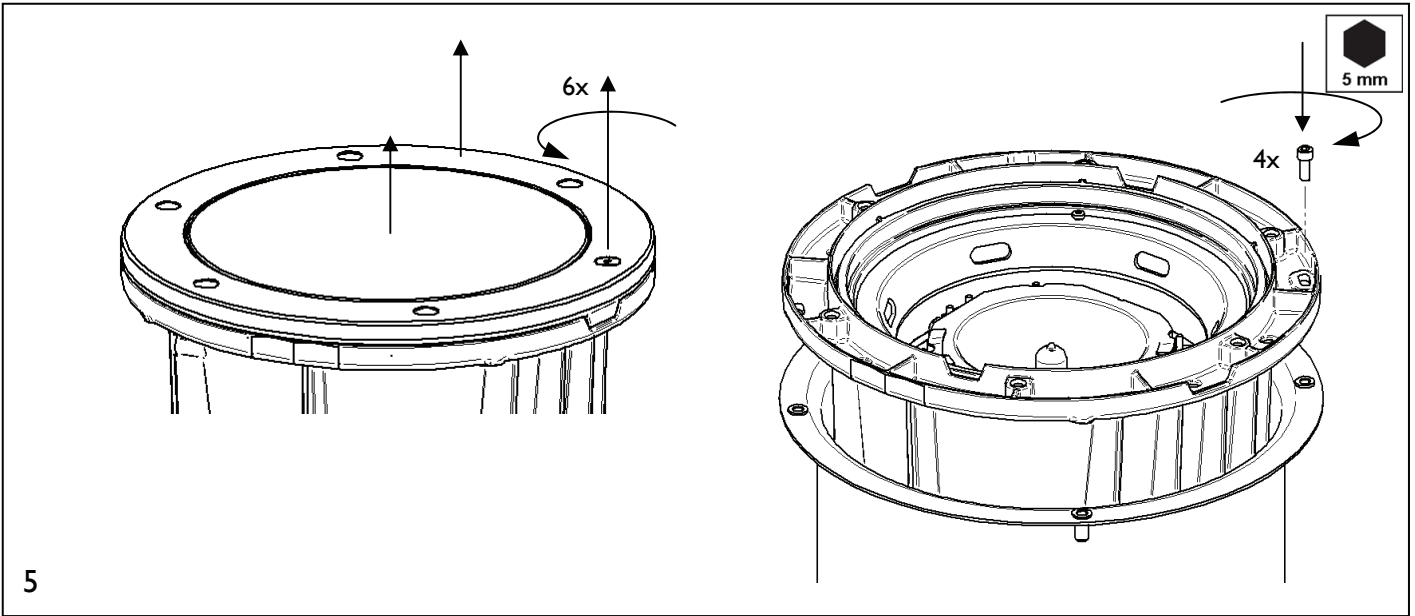


4c – DBP523 ONLY



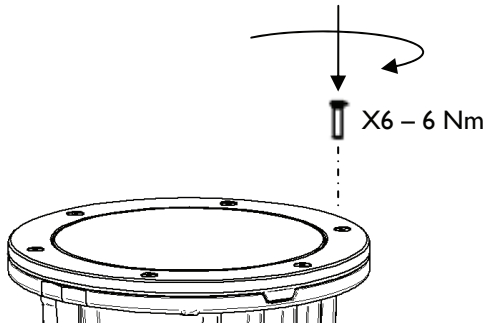
CABLE 3x2.5mm² H07RNF 6A MAX
CABLE 2x2.5mm² H07RNF  6A MAX

4d – DBP522 ONLY





5 mm

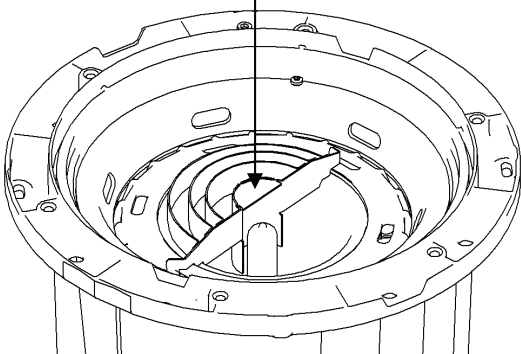


9

Accessories	DBP522 / DBP523				
	ZBP	CDM-T 35W	CDM-T 70W	CDM-T 150W	SDW-TG 50W
GF, HMG-FR. GC-AS	●	●	●	●	●
SV	●	●	●	●	●
DR	●	●	●	●	●
RL, HRL, or HL, MK	●	●	●	●	●
BSO, LBSP	●	●	●	●	●
F-RD, SGF-YE, SGF-GN, SGF-LBL, SGF-BL, SGF-MG	●	●		●	
SGF-COF2, SGF-COF3, SGF-COF4, SGF-WAF1, SGF-WAF2, SGF-WAF3	●	●		●	

NB, MB, WB

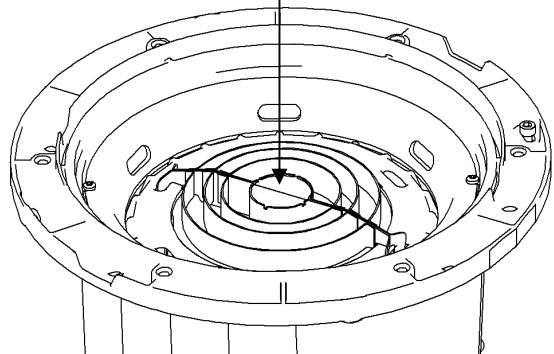
CLICK



ZBP523 HRL

NB, MB, WB

CLICK + CLICK



ZBP523 RL

