

Aura NoctiLED Long Life

LED Streetlight Module

PRODUCT SPECIFICATIONS

PARAMETER	VALUE
Input Voltage	120-230V AC
Output Voltage	57V DC Max.
Output Power	5-33 W
Frequency	50-60 Hz
Operating Temp Range	-30°C to 55°C
Weight (LED Module)	9 lbs (4.08 kg)
Projected Wind Force Area	436 cm ² (EN 60598-2-3 Clause 3.6.3.1)

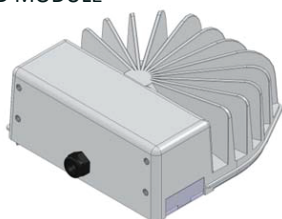
FEATURE HIGHLIGHTS

- Active thermal protection
- Midnight dimming function
- Suitable as standalone or installation in luminaire housing
- 70,000 hour System lifetime
- No special tools required for settings or replacement

Before you begin, read these instructions completely and carefully. If you have any questions regarding the proper use, installation or safety considerations of this product, please visit our website or contact Aura Light.

Aura Light International AB, Box 508, 371 23 Karlskrona, Sweden
 Phone +46 (0)455 785 00, info@auralight.com, www.auralight.com

LED MODULE



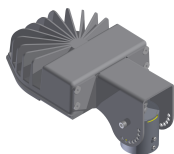
POLE MOUNT



WALL MOUNT



ADJUSTABLE BRACKET



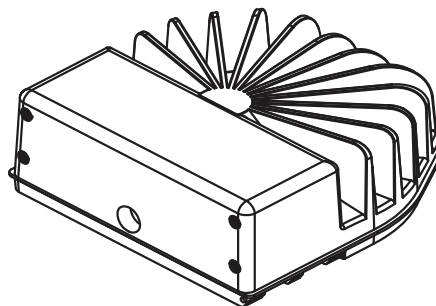
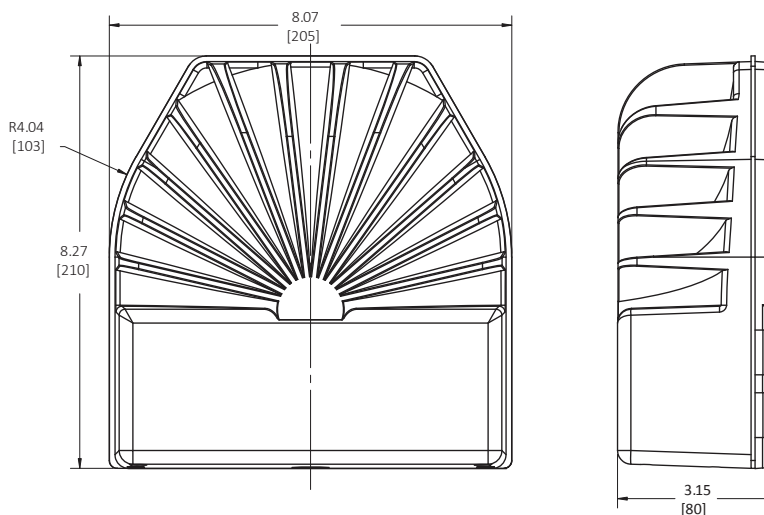
CERTIFICATIONS



MORE INFORMATION

For additional specifications, wiring examples, available accessories, and Guarantee information, please visit www.auralight.com or contact your Aura Light representative

LED Streetlight Module (includes LEDs, optics, cooling and LED driver)



Before you begin, read these instructions completely and carefully. If you have any questions regarding the proper use, installation, or safety considerations of this product, please visit our website or contact info@auralight.com.

- **DANGER: RISK OF ELECTRICAL SHOCK OR FIRE. DISCONNECT POWER BEFORE INSTALLATION.**
- **WARNING: Risk of fire or electric shock. LED retrofit kit installation requires knowledge of luminaire electrical systems. If not qualified, do not attempt installation. Contact a qualified electrician.**
- This luminaire must be installed in accordance to your local electrical code. If you are not familiar with these codes and requirements, consult a qualified electrician.

MOUNTING BRACKET INSTALLATION

1. Attach the mounting bracket to LED Module using (4) M8 x 16L, flat head, hex style stainless steel screws provided. Screw locations are shown in Figure 1. Refer to Figure 2 for Pole-Mount; Figure 3 for Wall-Mount.

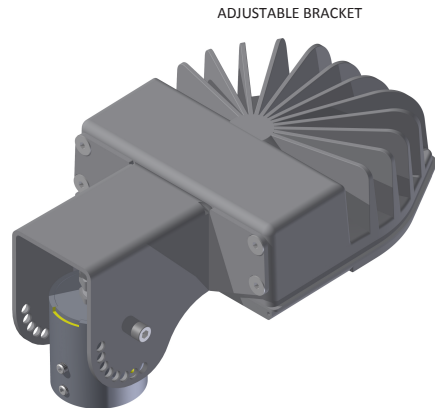
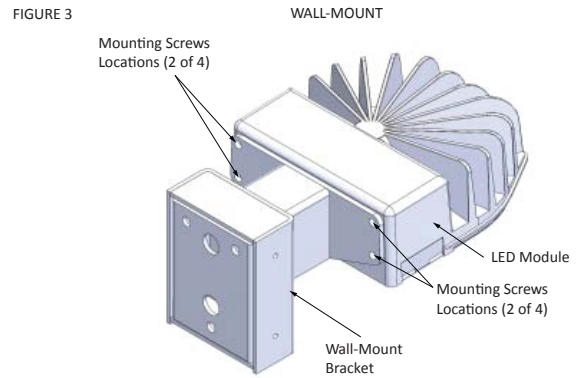
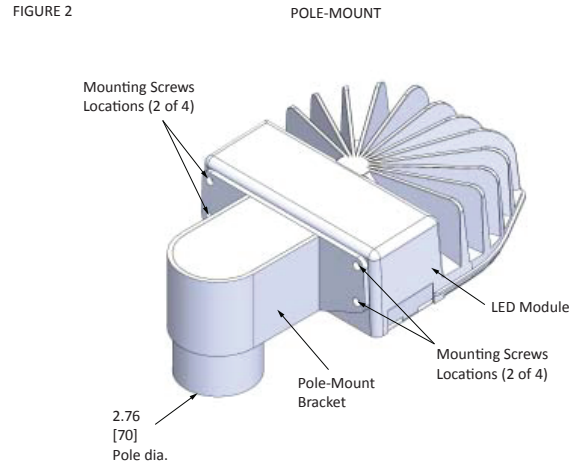
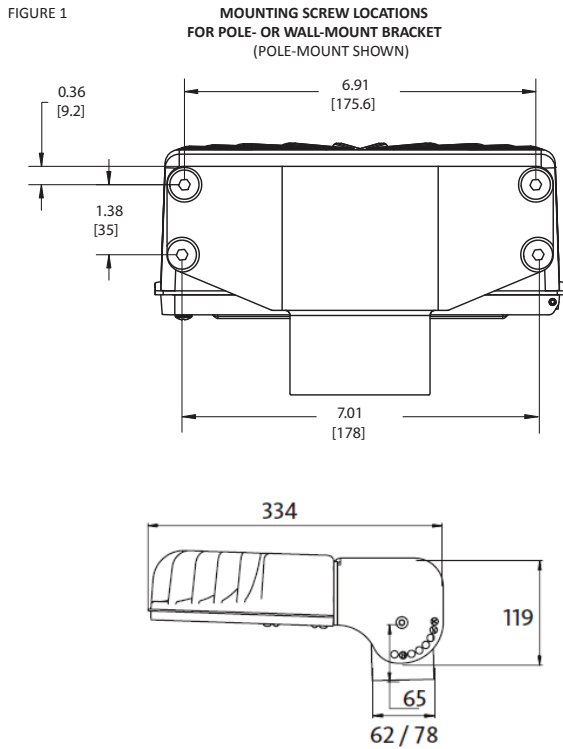
Note: Screws should be hand-threaded (prior to use of power tools) to ensure proper engagement of the thread when re-installing.

2. For pole-mount, slide Module on to pole through opening on the bracket. Adjust to the desired height and attach to pole using screws (not shown).

Note: The height of the LED Module should not exceed 8 meters from the ground to the top of the pole.

3. Once desired position is achieved, tighten the mounting screws to 4 N-m (3 lb-ft) for wall and pole mount.

CAUTION - DO NOT exceed the specified torque levels on the mounting screws, as that could cause stripping of mounting hardware, which could lead to an unsafe mounting condition.



See next page for Electrical Installation Instructions.

Before you begin, read these instructions completely and carefully. If you have any questions regarding the proper use, installation, or safety considerations of this product, please visit our website or contact Aura Light Customer Support.

- **DANGER: RISK OF ELECTRICAL SHOCK OR FIRE. DISCONNECT POWER BEFORE INSTALLATION.**

ELECTRICAL INSTALLATION

1. Release the two captive screws to open the access panel, using a Phillips head screwdriver. See Figure 4.
2. With the access panel open, install the field wiring through the strain relief into the housing cavity. Separate the AC wires (Brown, Blue) from the Aux Dim wires (Orange, Violet). See Figure 5.
3. AC Input Wiring. Let AC input wire go through cable strap. Then connect to terminal block using a flat head screwdriver to loosen/tighten the screws. Refer to Figures 5 and 6.

AC WIRING

Wire Color	Label:
BROWN	L (LINE)
BLUE	N (NEUTRAL)

4. Aux Dim Wiring. Insert wires into 2-position connector, at Control Board location J5. Refer to Figures 5 and 6.

Dim WIRING

Wire Color	Label:
ORANGE	1-10V
VIOLET	0V

5. Push excess supply wires into pole.

Note: Midnight Mode Configuration should be set before reinstalling the cover. If you are ready to set that now, skip to next page before performing Step 6 below.

6. Close cover and tighten the two captive screws, making sure that no wires are pinched and screws are fully engaged.

FIGURE 4

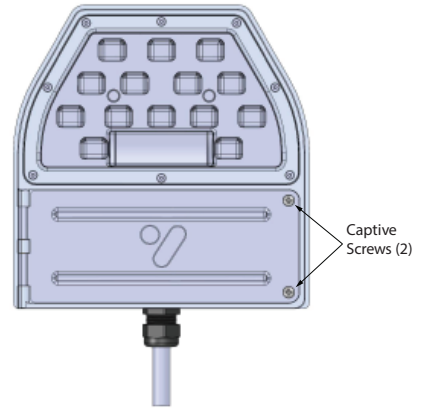


FIGURE 5

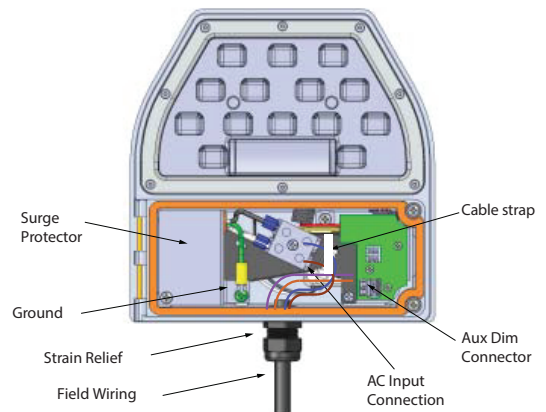
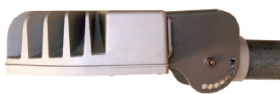
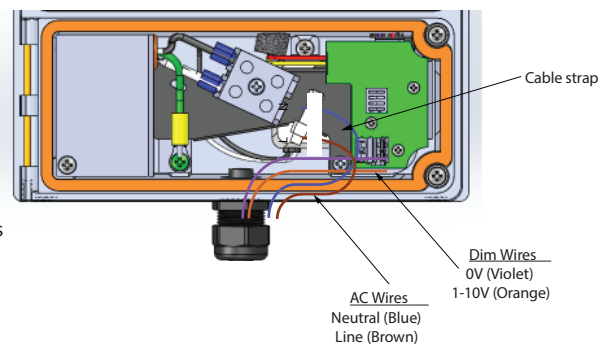


FIGURE 6



Aura NoctiLED adjustable bracket 0 degrees

Aura NoctiLED adjustable bracket 90 degrees

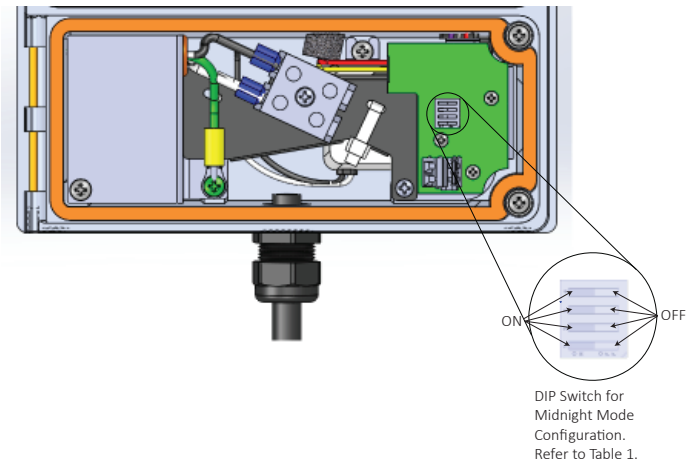
MIDNIGHT MODE SETUP

The Aura NoctiLED Long Life can be programmed to dim through its overnight illumination cycle. This functionality is enabled using a 4-position DIP switch located on the Aura NoctiLED Long Life Control Board. See Figure 7. 16 different configurations are available, including include 6 Static Power levels and 10 Midnight Mode Configurations. The available Midnight Modes include combinations of power levels and dimming level.

1. With the access panel open and the AC power disconnected, configure the 4-position DIP switch to the desired mode using the chart below.
2. When settings are made, close cover and tighten the two captive screws, making sure that no wires are pinched and screws are fully engaged.
3. Apply power to the NoctiLED LED Module.

NOTE - If power is applied to the Aura NoctiLED Long Life while the 4-position DIP switch is configured, the Module will go into DEMO mode for the selected Midnight Mode Configuration. To turn off DEMO mode, disconnect AC power to the PCB for 10 seconds. When power is restored, the Module will be in the selected Midnight Mode.

FIGURE 7



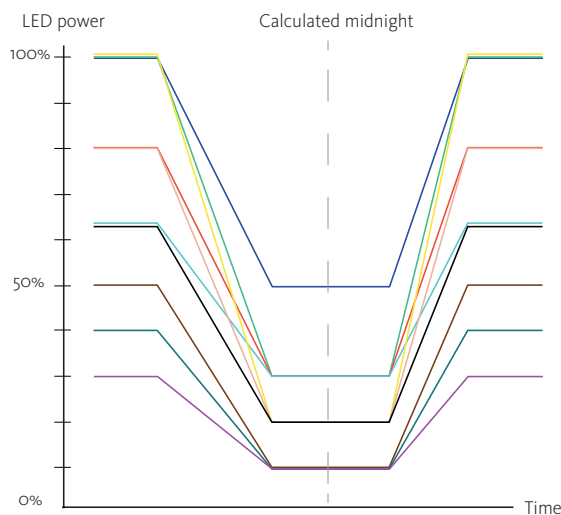
DIP Switch for Midnight Mode Configuration. Refer to Table 1.

TABLE 1

Non-midnight dimming settings

SWITCH POSITIONS				LED POWER	SETTING
OFF	OFF	OFF	OFF	100%	MIDNIGHT MODE DISABLED
OFF	OFF	OFF	ON	80%	MIDNIGHT MODE DISABLED
OFF	OFF	ON	OFF	65%	MIDNIGHT MODE DISABLED
OFF	OFF	ON	ON	50%	MIDNIGHT MODE DISABLED
OFF	ON	OFF	OFF	40%	MIDNIGHT MODE DISABLED
OFF	ON	OFF	ON	30%	MIDNIGHT MODE DISABLED

Midnight dimming settings



Midnight dimming settings

LED POWER LEVELS (NOT INTENSITY)						
	SWITCH POSITIONS				MAXIMUM POWER	MINIMUM POWER
	OFF	ON	ON	OFF	100%	50%
	OFF	ON	ON	ON	100%	30%
	ON	OFF	OFF	OFF	80%	30%
	ON	OFF	OFF	ON	65%	30%
	ON	OFF	ON	OFF	100%	20%
	ON	OFF	ON	ON	80%	20%
	ON	ON	OFF	OFF	65%	20%
	ON	ON	OFF	ON	50%	10%
	ON	ON	ON	OFF	40%	10%
	ON	ON	ON	ON	30%	10%

NOTE - "Midnight" in this context is a calculated midnight, around which the dimming cycle centers. The calculated midnight is derived from the mean value of the total on-time of the past two nights. Midnight dimming will only be activated if the on-time is longer than four hours.

LED POWER LEVELS (NOT INTENSITY) CAN BE SET FROM 10-100%.