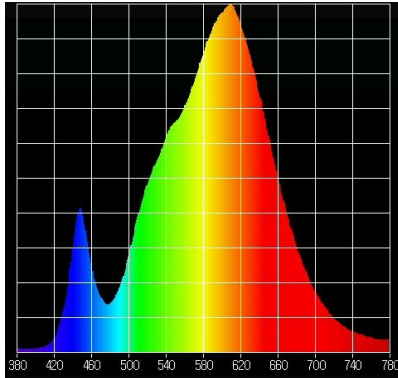


Aura NoctiLED Long Life

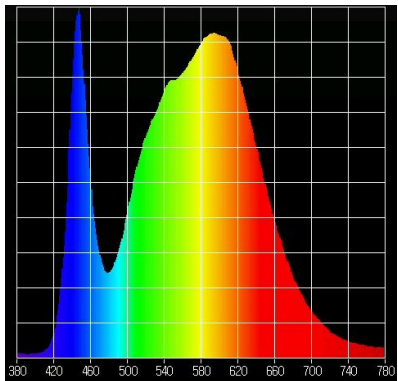
Nominal wattage (W)	32,34		
Nominal length/width (mm)	210/205		
Nominal height (mm)	80		
Weight (g)	4000		
Colour Rendering Index CRI	≥80	≥80	≥70
SDCM	4	4	4
Temp. for max. luminous flux (°C)	25	25	25
Light Colour	830	840	750
Correlated Colour Temperature CCT	3000	4000	5700
Nominal and rated flux ¹⁾ @ 25 °C (lm)	2750	3150	3350
Lamp efficacy ¹⁾ @ 25 °C (lm/W)	83	95	102
Energy Class	A+	A+	A+
kW/1000 hrs	32,34	32,34	32,34

Electrical Data	Input	Rated Wattage (W)	33	33	33
		Power Factor (Pf)	>0,9		
	Output	Operating Voltage (V)	120-230V AC 50/60Hz	120-230V AC 50/60Hz	120-230V AC 50/60Hz
		Operating Voltage (VDC)	42 (40-44)	42 (40-44)	42 (40-44)
	LLMF & LSF	Operating Current (mA)	700	700	700
		Nominal lifetime	70 000 h		
LLMF & LSF	Rated lifetime	70 000 h			
	LLMF - Lamp Lumen Maintenance Factor end of nominal life	80%			
LLMF & LSF	LSF - Lamp Survival Factor end of nominal life	90%			
	Installation environment	Indoor and outdoor			
LLMF & LSF	Ingress Protection	IP67			
	Warm-up time to 60% light output	Instant full light			
LLMF & LSF	Starting time	0,5 seconds (max) (processor takes 5 seconds to set exact choosen light level)			
	Ambient temperature (Ta)	-30 °C- +55 °C			
LLMF & LSF	Nominal beam angle	See photometric files			
	Rated beam angle	See photometric files			
LLMF & LSF	Suitable for accent lighting	No			
	Switching cycles	1 000 000 (min)			
LLMF & LSF	Dimmable	Yes (dip-switches or 1-10V)			
	Surge protection	10kV			
LLMF & LSF	Materials	Aluminum and PMMA			
	Mercury Content	0			
LLMF & LSF	Electrical Protection class	Class II			

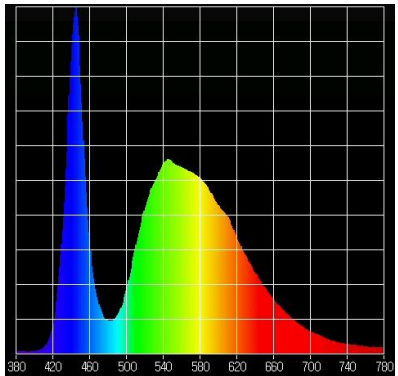
Spectral distribution 3000K



Spectral distribution 4100K



Spectral distribution 5700K



Calculated LED Lifetime h (TM-21)	L70	L80	L90
	>72.600	>72.600	29.600

Aura NoctiLED Long Life

LED Streetlight Module

PRODUCT SPECIFICATIONS

PARAMETER	VALUE
Input Voltage	120-230V AC
Output Voltage	57V DC Max.
Output Power	5-33 W
Frequency	50-60 Hz
Operating Temp. Range	-30°C to 55°C

FEATURE HIGHLIGHTS

- Active Thermal Protection
- Midnight Dimming Function
- Suitable as Standalone or Installation in Luminaire Housing
- 70 000 Hour Lifetime Guaranteed
- No Special Tools Required for Settings or Replacement

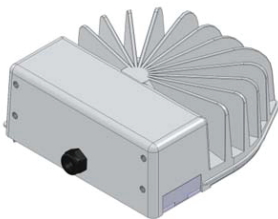
Before you begin, read these instructions completely and carefully. If you have any questions regarding the proper use, installation, or safety considerations of this product, please visit our website or contact Aura Light.

Aura Light International AB
Box 508
371 23 Karlskrona, Sweden

tel +46 (0)455 785 00

info@auralight.com
www.auralight.com

LED MODULE



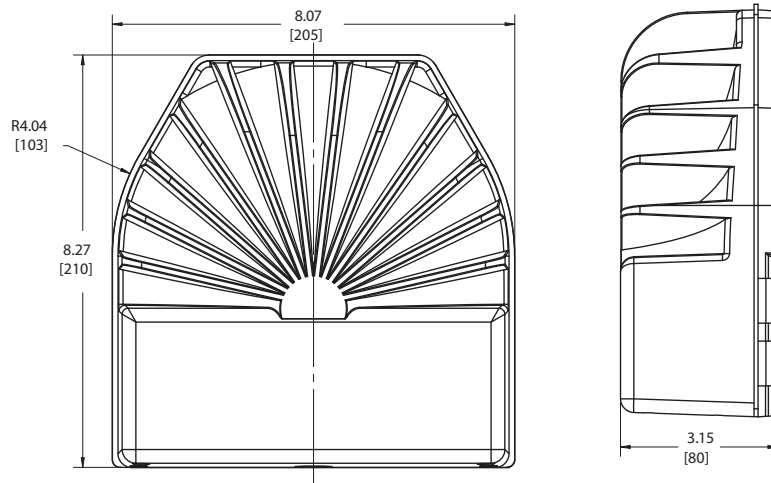
POLE MOUNT



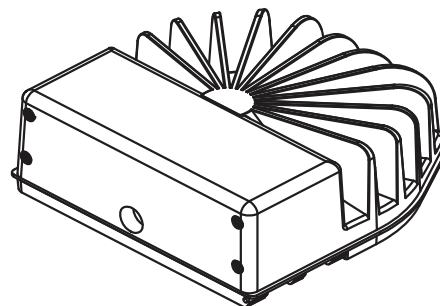
WALL MOUNT



Aura NoctiLED Long Life (includes LEDs, optics, cooling and LED driver)



Dimensions inches [mm]



For additional specifications, wiring examples, available accessories, and guarantee information, please visit www.auralight.com or contact your Aura Light representative.

Before you begin, read these instructions completely and carefully. If you have any questions regarding the proper use, installation, or safety considerations of this product, please visit our website or contact Aura Light Customer Support.

- **DANGER: RISK OF ELECTRICAL SHOCK OR FIRE. DISCONNECT POWER BEFORE INSTALLATION.**
- **WARNING:** Risk of fire or electric shock. LED retrofit kit installation requires knowledge of luminaire electrical systems. If not qualified, do not attempt installation. Contact a qualified electrician.
- This luminaire must be installed in accordance to your local electrical code. If you are not familiar with these codes and requirements, consult a qualified electrician.

MOUNTING BRACKET INSTALLATION

1. Attach the mounting bracket to LED Module using (4) M8 x 16L, flat head, hex style stainless steel screws provided. Screw locations are shown in Figure 1. Refer to Figure 2 for Pole-Mount; Figure 3 for Wall-Mount.

Note: Screws should be hand-threaded (prior to use of power tools) to ensure proper engagement of the thread when re-installing.

2. For pole-mount, slide Module on to pole through opening on the bracket. Adjust to the desired height and attach to pole using screws (not shown).

Note: The height of the LED Module should not exceed 8 meters from the ground to the top of the pole.

3. Once desired position is achieved, tighten the mounting screws to 16 ft-lb (21 N-m).

CAUTION - DO NOT exceed the specified torque levels on the mounting screws, as that could cause stripping of mounting hardware, which could lead to an unsafe mounting condition.

FIGURE 2

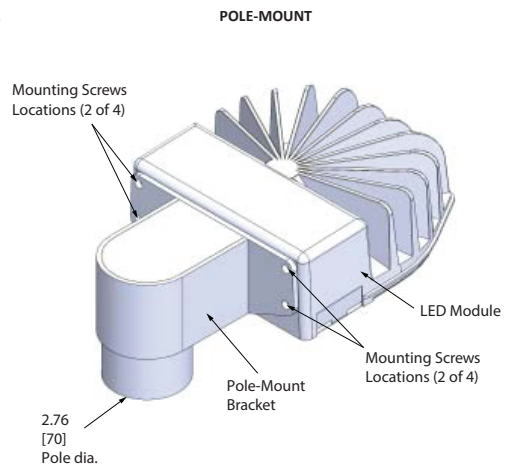


FIGURE 1

MOUNTING SCREW LOCATIONS FOR POLE- OR WALL-MOUNT BRACKET (POLE-MOUNT SHOWN)

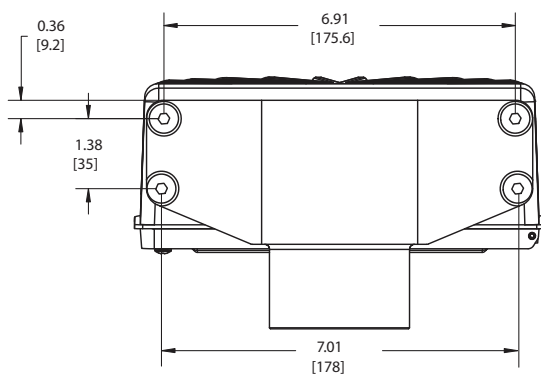
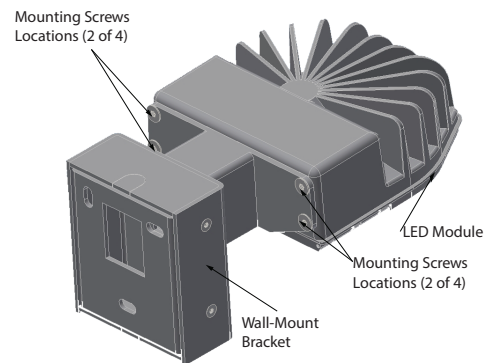


FIGURE 3

WALL-MOUNT



See next page for Electrical Installation Instructions.

Before you begin, read these instructions completely and carefully. If you have any questions regarding the proper use, installation, or safety considerations of this product, please visit our website or contact Aura Light Customer Support.

- **DANGER: RISK OF ELECTRICAL SHOCK OR FIRE. DISCONNECT POWER BEFORE INSTALLATION.**

ELECTRICAL INSTALLATION

1. Release the two captive screws to open the access panel, using a Phillips head screwdriver. See Figure 4.
2. With the access panel open, install the field wiring through the strain relief into the housing cavity. Separate the AC wires (Brown, Blue) from the Aux Dim wires (Orange, Violet). See Figure 5.
3. AC Input Wiring. Let AC input wire go through cable strap. Then connect to terminal block using a flat head screwdriver to loosen/tighten the screws. Refer to Figures 5 and 6.

AC WIRING

Wire Color	Label:
BROWN	L (LINE)
BLUE	N (NEUTRAL)

4. Aux Dim Wiring. Insert wires into 2-position connector, at Control Board location J5. Refer to Figures 5 and 6.

Dim WIRING

Wire Color	Label:
ORANGE	1-10V
VIOLET	0V

5. Push excess supply wires into pole.

Note: Midnight Mode Configuration should be set before reinstalling the cover. If you are ready to set that now, skip to next page before performing Step 6 below.

6. Close cover and tighten the two captive screws, making sure that no wires are pinched and screws are fully engaged.

FIGURE 4

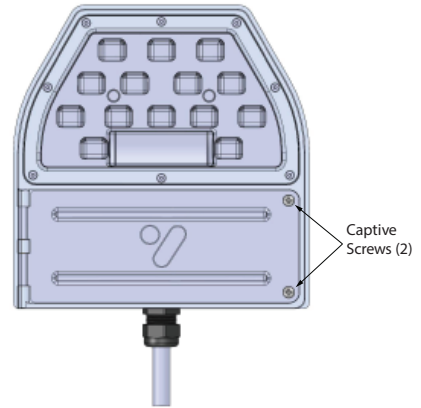


FIGURE 5

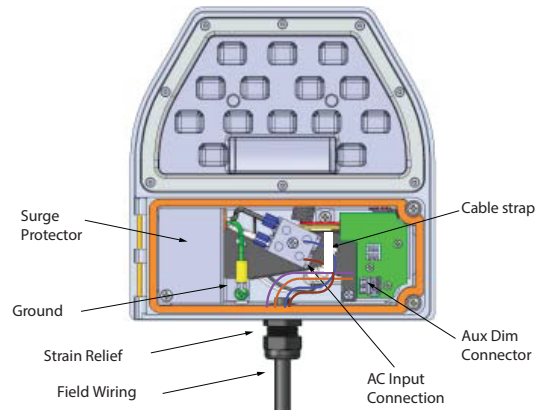
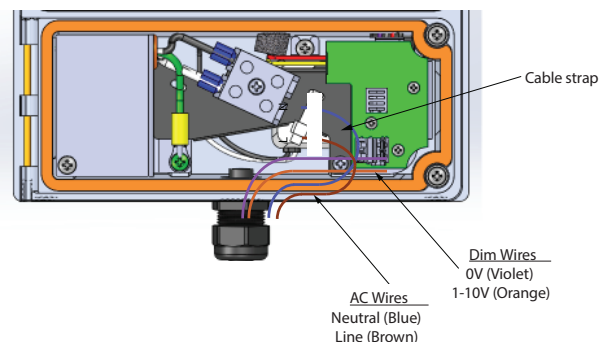


FIGURE 6



MIDNIGHT MODE SETUP

The Aura NoctiLED Long Life can be programmed to dim through its overnight illumination cycle. This functionality is enabled using a 4-position DIP switch located on the Aura NoctiLED Long Life Control Board. See Figure 7. 16 different configurations are available, including include 6 Static Power levels and 10 Midnight Mode Configurations. The available Midnight Modes include combinations of power levels and dimming level.

1. With the access panel open and the AC power disconnected, configure the 4-position DIP switch to the desired mode using the chart below.
2. When settings are made, close cover and tighten the two captive screws, making sure that no wires are pinched and screws are fully engaged.
3. Apply power to the NoctiLED LED Module.

NOTE - If power is applied to the Aura NoctiLED Long Life while the 4-position DIP switch is configured, the Module will go into DEMO mode for the selected Midnight Mode Configuration. To turn off DEMO mode, disconnect AC power to the PCB for 10 seconds. When power is restored, the Module will be in the selected Midnight Mode.

FIGURE 7

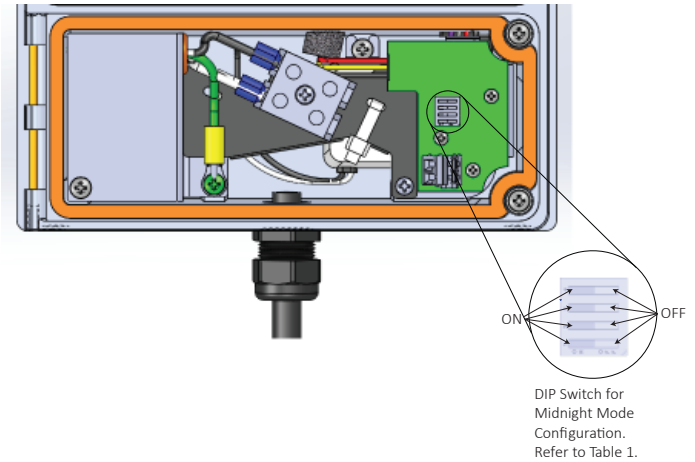
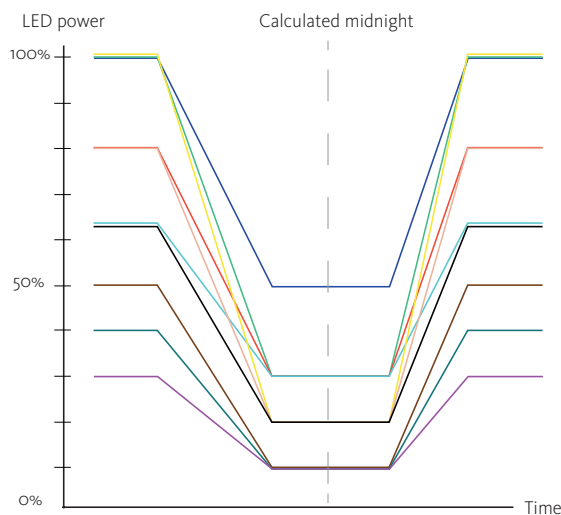


TABLE 1











Non-midnight dimming settings

SWITCH POSITIONS				LED POWER	SETTING
OFF	OFF	OFF	OFF	100%	MIDNIGHT MODE DISABLED
OFF	OFF	OFF	ON	80%	MIDNIGHT MODE DISABLED
OFF	OFF	ON	OFF	65%	MIDNIGHT MODE DISABLED
OFF	OFF	ON	ON	50%	MIDNIGHT MODE DISABLED
OFF	ON	OFF	OFF	40%	MIDNIGHT MODE DISABLED
OFF	ON	OFF	ON	30%	MIDNIGHT MODE DISABLED

Midnight dimming settings



Midnight dimming settings

LED POWER LEVELS (NOT INTENSITY)						
	SWITCH POSITIONS				MAXIMUM POWER	MINIMUM POWER
	OFF	ON	ON	OFF	100%	50%
	OFF	ON	ON	ON	100%	30%
	ON	OFF	OFF	OFF	80%	30%
	ON	OFF	OFF	ON	65%	30%
	ON	OFF	ON	OFF	100%	20%
	ON	OFF	ON	ON	80%	20%
	ON	ON	OFF	OFF	65%	20%
	ON	ON	OFF	ON	50%	10%
	ON	ON	ON	OFF	40%	10%
	ON	ON	ON	ON	30%	10%

NOTE - "Midnight" in this context is a calculated midnight, around which the dimming cycle centers. The calculated midnight is derived from the mean value of the total on-time of the past two nights. Midnight dimming will only be activated if the on-time is longer than four hours.

LED POWER LEVELS (NOT INTENSITY) CAN BE SET FROM 10-100%.