

StreetSaver Dimming BPP007

Mounting instruction



ta
40°


IP65

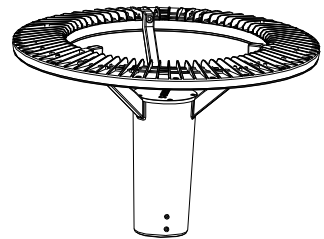
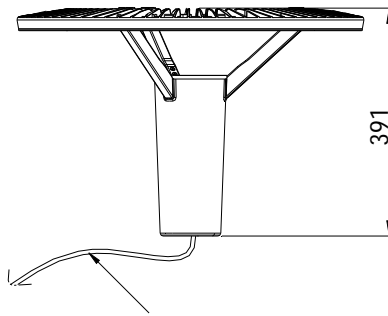
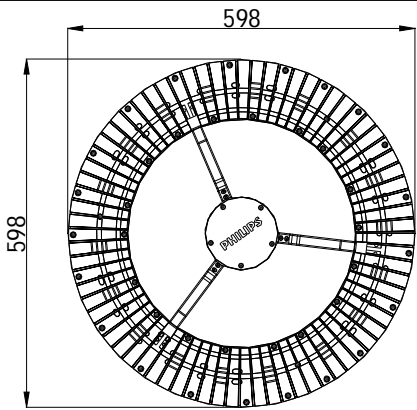
IK08



CB





Type Number	LEDs	Power	Voltage	Frequency	
BPP007 LED-HP/740 PSR II GR LS-8 50% 60P	24	40W	220-240V	50/60 Hz	7.3
BPP007 LED-HP/830 PSR II GR LS-8 50% 60P	24	40W	220-240V	50/60 Hz	7.3



Deploy 6M length supply wire

Unit: mm


1

1. Relax tighten screw, make pole to insert lighting bottom smoothly .
2. Supply cable dia. 6~8mm. cut hole on the top of pole to make supply cable insert.

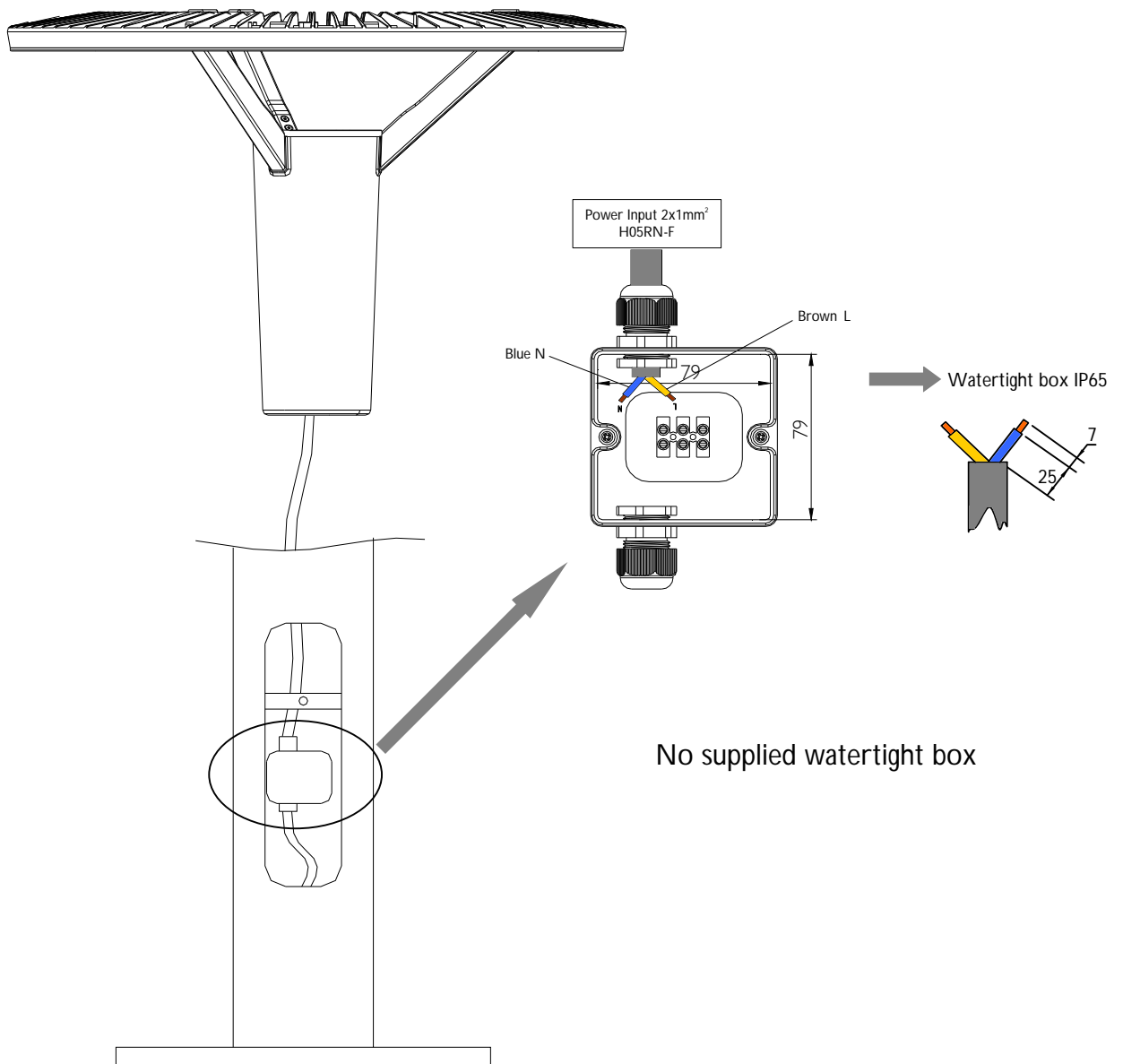
Pole height: 3~5M
Pole Dia. 60mm

2



Tighten the screws
2x M10/ 10 Nm

PHILIPS



1. The luminaires shall be installed by a qualified electrician and wired in accordance with the latest IEE electrical regulations or the national requirements.
2. No supplied watertight box, installation should be advised by qualified professional.
3. Do not switch on before complete installation.
4. The external cable of this luminaire cannot be replaced; if the cord is damaged, the luminaire shall be destroyed.
5. Lamp: non-replaceable LED.

PHILIPS