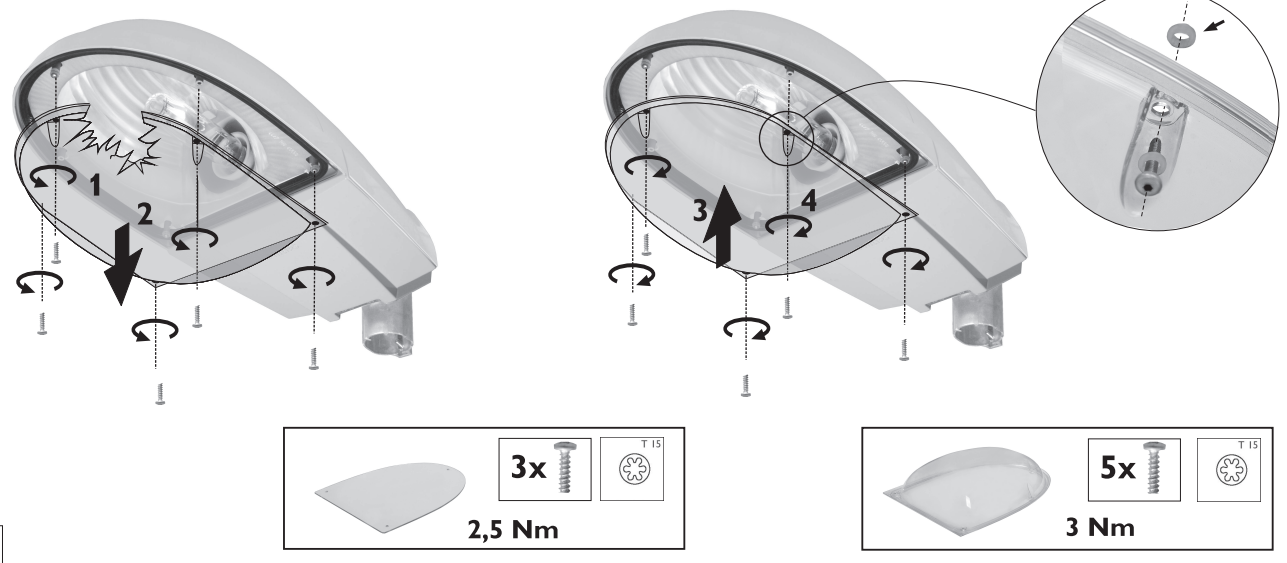
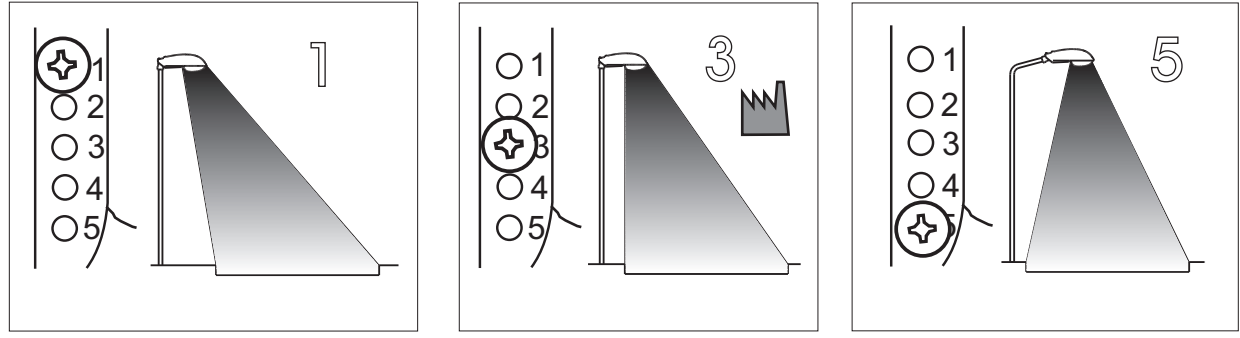
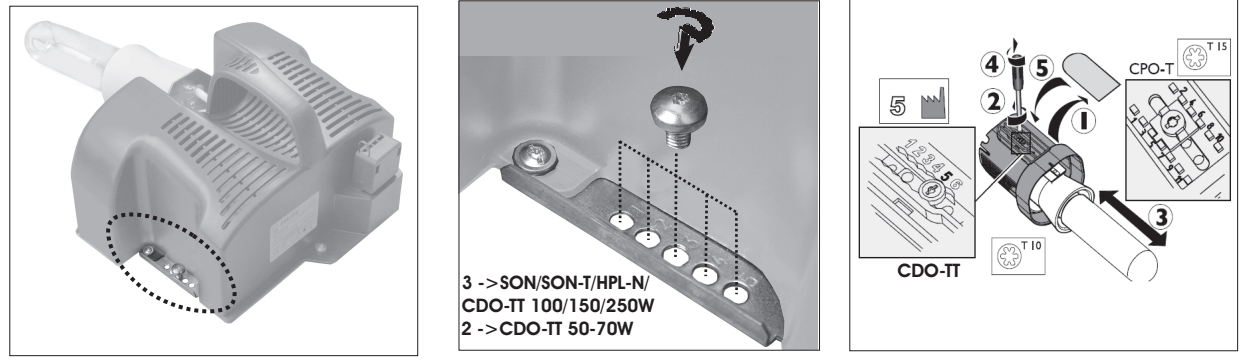


Selenium SGP340

Installation instructions

Instructions de montage / Istruzioni di montaggio / Szerelési útmutató / Instrukcja montażu
 Installation instructions / Instrucciones de montaje
 Montageanweisung / Montážní návod
 Montagevoorschrift / Montážny návod



LLC7120/00 Chronosense Controller

Dipswitch
 The Chronosense has a six position dipswitch to set the mode of operation (test/normal) and dim period.
 Dipswitch 1,2 and 3 are used to set the dim hours before midpoint of the night (t1)
 Dipswitch 4 and 5 are used to set the dim hours after midpoint of the night (t2)
 Dipswitch 6 is used to set the mode of operation.

At factory default, all dipswitches are set to OFF:

- Dim down before midnight: 3:30
- Dim up after midnight: 5:30
- Test mode: OFF

Switch number	1	2	3	Dim down before midpoint
Position	0	0	0	3:30
	0	0	1	3:00
	0	1	0	2:30
	0	1	1	2:00
	1	0	0	1:30
	1	0	1	1:00
	1	1	0	0:30
	1	1	1	0:00

Switch number	4	5	Dim down after midpoint
Position	0	0	5:30
	1	0	5:00
	0	1	4:30
	1	1	4:00

The Chronosense is also provided with a test mode to check functionality within the factory (switch 6).

Switch number	6	Mode
Position	0	(Normal use)
	1	every minute dimming for 5 seconds



14 General settings for more details please check LLC7120/00 Chronosense Controller instruction !

	W	PC	FG	⊕	□	kg max
SON	50	●	●	●	●	9,5
	50/70	●	●	●	●	10,0
	70	●	●	●	●	10,0
	70/100	●	●	●	●	10,5
	100	●	●	●	●	10,5
	100/150	●	●	●	●	11,5
SON-T	150	●	●	●	●	11,5
	*) 250	●	●	●	●	12,5
	50	●	●	●	●	9,5
	50/70	●	●	●	●	10,0
	70	●	●	●	●	10,0
	70/100	●	●	●	●	10,5
HPL-N	100	●	●	●	●	10,5
	100/150	●	●	●	●	11,5
	150	●	●	●	●	11,5
	*) 150/250	●	●	●	—	12,5
	*) 250	●	●	●	●	12,5
	*) 250/400	—	●	●	—	13,5
CPO-TW	*) 400	—	●	●	—	13,5
	45	●	●	—	●	10,2
	60	●	●	—	●	10,2
	90	●	●	—	●	10,4
	140	●	●	—	●	10,4
	CDO-T T	50	●	●	●	●
70		●	●	●	●	10
100		●	●	●	●	10,5
150		●	●	●	●	11,5
250		●	●	●	●	12,5



*) T_a=25°C only

12NC 4427 100 65196 SGP340
 Version date:11/09
 Data subject to change without notice
 Printed in poland
 www.philips.com/lighting



1

Ø34-42	—
Ø48-60	—
Ø60	✓
Ø76	✓

PZ 2
3 Nm

P15°
P5°
P0°

P0° P5° P15°

2a

2b

3

Ø34-42	✓
Ø48-60	✓
Ø60	—
Ø76	—

PZ 2
3 Nm

S 0°
S -10°
S -15°

S0° S-15°
S-10°

4

5

6

7

CPO-TW

8

CPO-TW
SON-T

9

10

15 Nm

	knife connector (KC)			
a	50 ± 5	25 ± 5	50 ± 5	25 ± 5
b	8 ± 2	8 ± 5	8 ± 2	8 ± 5
c	150 ± 5	----	180 ± 5	----
d	30 ± 2	----	30 ± 2	----

*)SON-T 400W
SON-T 250/400W
Lmin.=Lmax.=150mm

min. 90mm

$I_{min.} = 200mm^*$
 $I_{max.} = 250mm$

$\varnothing_{min.} = 6 mm$
 $\varnothing_{max.} = 12 mm$

3 Nm

11

HID-DV 1-10V

DIMMING - SWITCH

C = CONTROL

P1 nema socket

P3 mini cell

KC knife connector