

member of zumtobel group

THORN



IQ Wave surface & suspended

The smart ceiling luminaire for workplaces



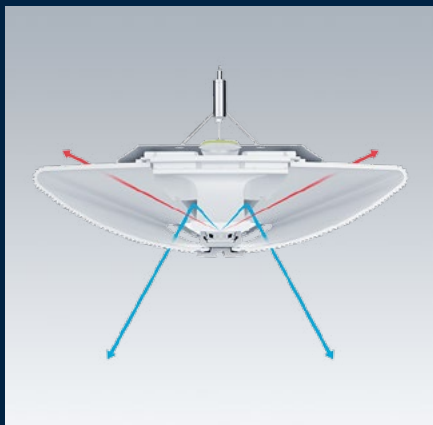
IQ Wave

Thorn's ceiling luminaire for workplaces can now be surface mounted or suspended, creating a family of fittings. This family of luminaires share the same comfortable, glare-free illumination and sleek, simple look.

IQ Wave contributes to comfortable, healthy workplaces by lighting the task, face and space. This can be provided thanks to Thorn's patented MV-Tech optic, which produces soft, 360° light with no visible LEDs.

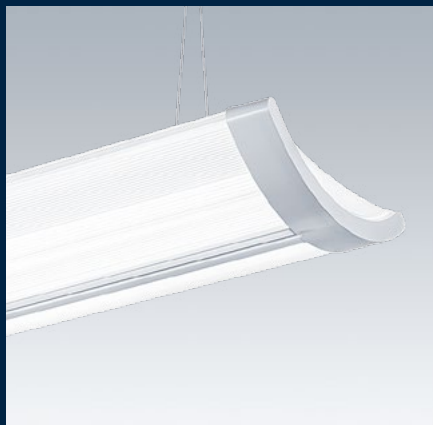
To complete the range, the recessed version is now joined by IQ Wave surface and suspended. Available in 1200 mm and 1500 mm, they can be joined together in a continuous line, to create a sleek look. IQ Wave surface and suspended achieves a unified glare rating of <math><19</math>, in line with the EN 12464 standard on workplace lighting. It is available with lumen packages ranging from 2 600 lm to 6 700 lm, in colour temperatures of 3 000 K or 4 000 K. The IP40 rating offers extra protection for school applications.

The special optical design achieves high efficacy, and even more energy can be saved thanks to control options including presence/absence detection and daylight dimming. With IQ Wave, building owners can have it all: energy savings, high performance, and above all, a lighting scheme that provides comfort and keeps workers productive.



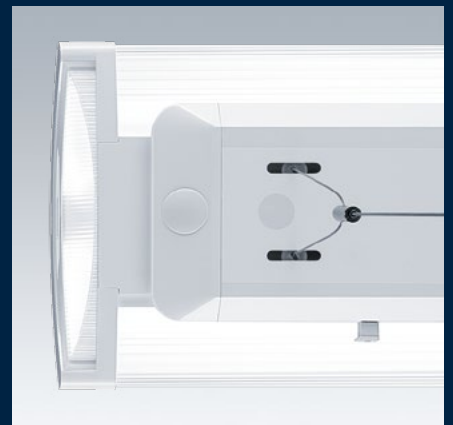
Cutting-edge optics

IQ Wave benefits from Thorn's patented MV-Tech optic, which creates soft, diffuse light, with plenty of vertical, horizontal and cylindrical illumination. This works by mounting the LEDs in the luminaire to point upwards, and reflecting light down from the back of the fitting. In a workplace, this means that not only desks, but also walls and faces are lit clearly and comfortably, creating a healthy, pleasant and productive atmosphere. The highly efficient design furthermore reduces energy consumption.



Comfort

IQ Wave's MV-Tech optic not only improves the appearance of the luminaire by eliminating visible LED dots, it also makes the space more comfortable – studies have shown that eliminating visible light points can reduce the effects of glare. The option for presence/absence detection allows IQ Wave to be dimmed or turned off when no one is there, while daylight dimming enables it to respond to the presence of natural light. Both options keep offices comfortable, while allowing even more energy to be saved.



To our installers

Delivered pre-assembled, IQ Wave is easy to install since there's no need to open the luminaire which also protects the components. The double compartment shipping box supports step-by-step installation. Elongated suspension holes allow the adjustment of the luminaire easily.

Product specification

Application	Office and Education
Lumen Output	2 600 lm/4 250 lm/4 900 lm/6 700 lm
Efficacy	Up to 121 lm/W
Lifetime	50 000 hours L90
Size	1200 mm and 1500 mm
CRI	>80
Colour Temperature	3 000 K / 4 000 K
Switch	On/off and DALI
Emergency	Integrated E3



Design

Simplistic modernism, offering large lit surface for soft light and a brightness management.

Controls

PIR MWS and wireless RF systems for small to large offices.

Optics

Innovative MV tech optic marries homogeneity and efficacy from one inverted source.

Installation

Easy to install, pre-assembled.

Standards

Surface

IP40 IK07 $T_{a,0} +25$

Suspended

IP20 IK03 $T_{a,0} +25$

Light source information

3 MacAdam ellipse

Materials/Finish

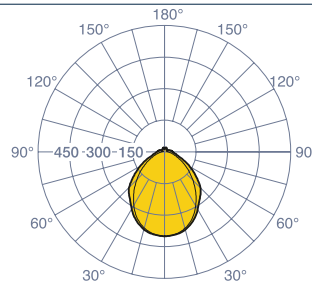
Frame and end caps: polycarbonate
Diffuser: polycarbonate, aluminium heat sink

Body: metal sheet white similar to RAL 9016, silver similar to RAL 9006.

To specify state:

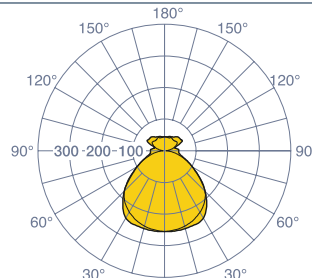
A lightweight surface/suspended luminaire with lit endcaps for surface or pendant installation, also possible as continuous run, pullcord switch available, opening mechanism with optional temper screw, with indirect lighting MV Tech optic, in 3 000/4 000 K, colour RAL 9016/ RAL 9006, CRI >80 and a lifetime of 50 khrs @L90 T_a 25°C, UGR<19, with control systems PIR, MWS, RF. As Thorn IQ Wave surface/suspended.

IQ Wave - 4900 lm 1500 Surface



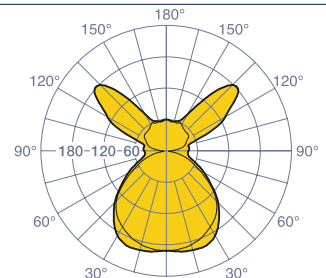
cd/klm ULOR: 10% DLOR: 90% LOR: 100%

IQ Wave - 6700 lm 1200 Suspended 25 75 split

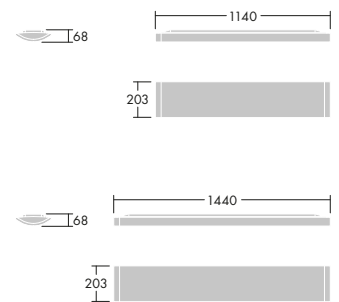


cd/klm ULOR: 25% DLOR: 75% LOR: 100%

IQ Wave - 6700 lm 1200 Suspended 42 58 split



cd/klm ULOR: 42% DLOR: 58% LOR: 100%



5 Year Warranty

As a globally leading luminaire manufacturer, Thorn Lighting provides a five-year warranty for its complete product range within all European Countries.

www.thornlighting.com/warranty

Thorn Lighting is constantly developing and improving its products. All descriptions, illustrations, drawings and specifications in this publication present only general particulars and shall not form part of any contract. The right is reserved to change specifications without prior notification or public announcement. All goods supplied by the company are supplied subject to the company's General Conditions of Sale, a copy of which is available on request. All measurements are in millimetres and weights in kilograms unless otherwise stated.

Publication No: 96644303 (INT) Publication Date: 11/17



www.pefc.org PEFC/6-38-214



WWW.THORNLIGHTING.COM/IQSU

THORN