

297 mm



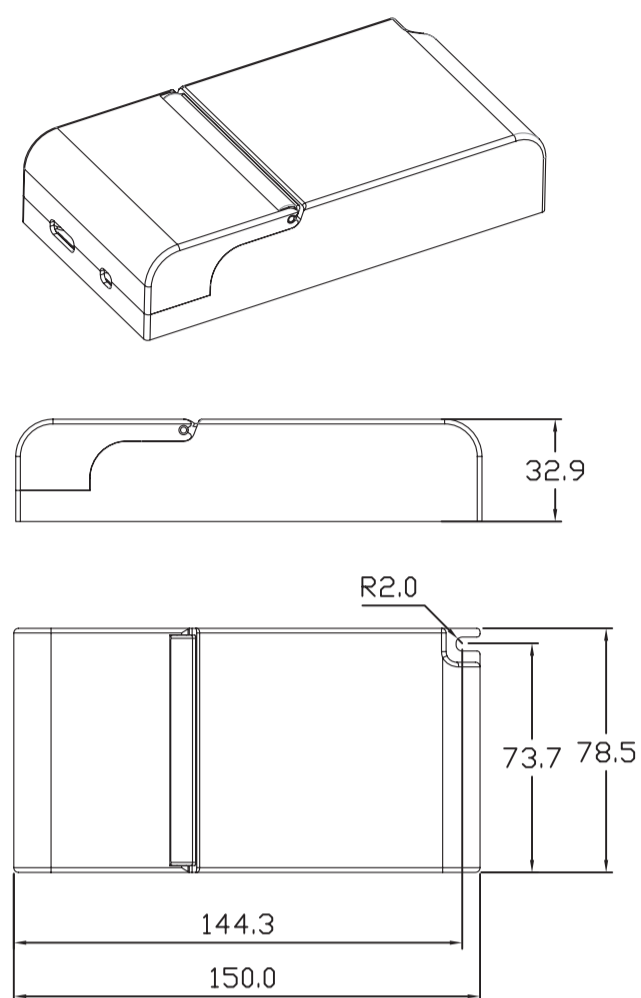
DALI Driver

Benefits

Adjustable current via LEDset or via software.
Long lasting and high reliability.

Applications
Downlight and Panel
Office – industrial - shop

Approval marks
CE SELV equivalent



Housing material: plastic, white.

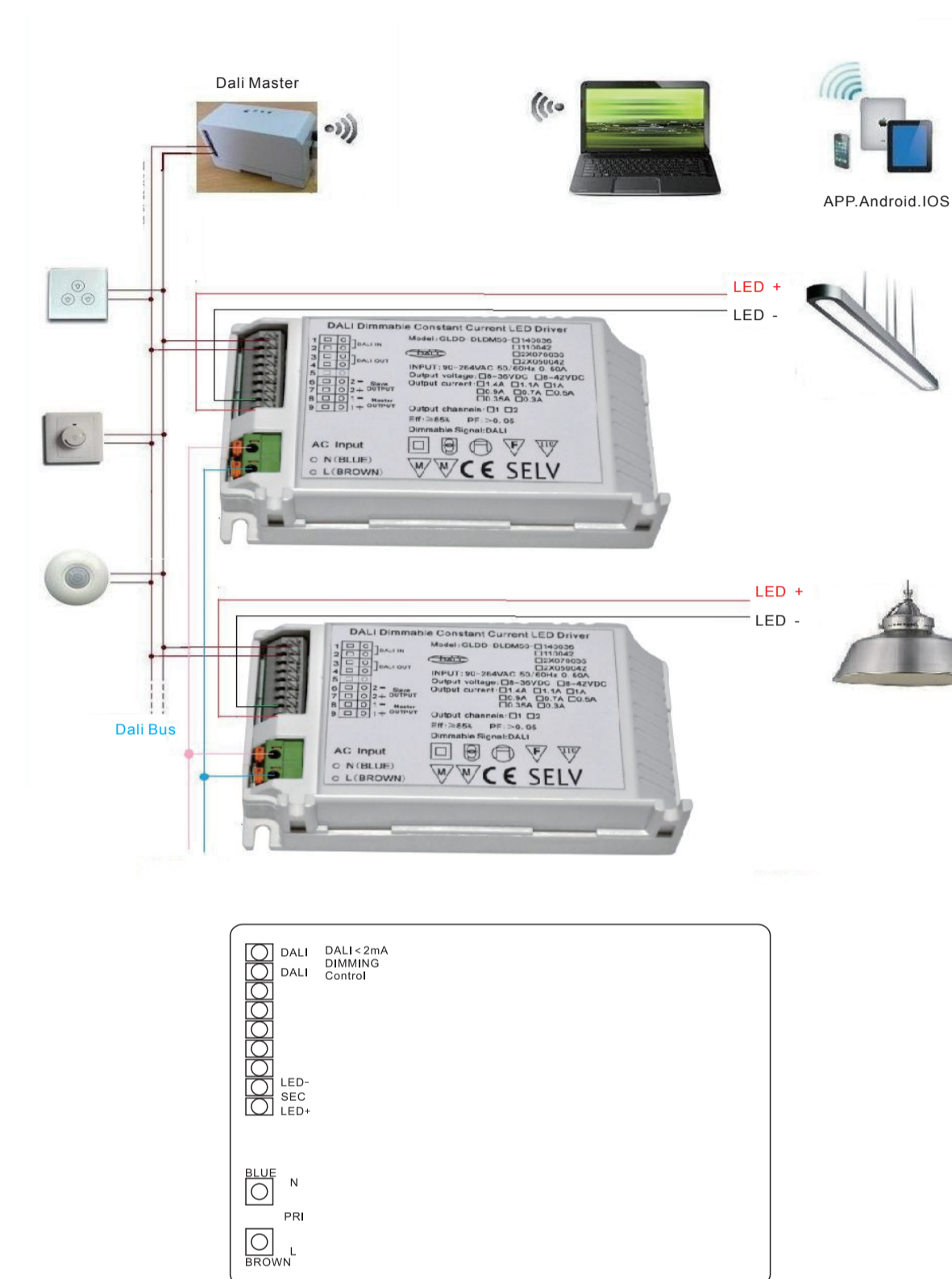
Product Features

- Smart dimming down to 15%
- Fully digitally programmable
- SELV-equivalent, Uout:33V-42V_{DC}
- Mains voltage 200 – 240 V
- 5 years guarantee
- Overload protection
- Overtemperature protection
- Load hot plug protection
- 50'000 h lifetime at t_c = 85 °C
- t_c max = 85 °C
- Wide t_a range -20 – +45 °C

Electrical Specifications

MODEL	Lanternin37W	Lanternin50W	
OUTPUT	Voltage Range(V)	33~42	33~42
	Rated Current(mA)	870ma	1130ma
	Rated Power(W)	37W	50W
	Output Way	1	1
	Max Voltage	50V	50V
	Voltage Tolerance	±5.0%	±5.0%
Turn on Time	<3S	<3S	
INPUT	Voltage Range	200~240VAC	
	Frequency Range	50~60Hz	
	Power Factor(Typ)	PF>0.9	
	Efficiency(Typ)	80%	85%
	Inrush Current(Typ)	COLD START 20A/230VAC	
	Leakage Current	<0.5mA/240VAC	
PROTECTION	Over Current	95~108%	
		Protection Type: Constant current limiting, recovers automatically after fault condition is removed	
	Short Circle	Hiccup mode, recovers automatically after fault condition is removed	
	Over Voltage	45~50V	45~50V
	Protection Type: Shut down and automatic recovery after fault condition is removed		
ENVIRONMENT	Working Temp.	-20~+45 °C	
	Working Humidity	5~95%RH, non-condensing	
	StorageTemp.,Humidity	-40~80 °C, 5~95%RH	
	Temp. Coefficient	±0.03%/°C (0~40 °C)	
	Vibration	10~500Hz,5G 12min./1cycle,period for 72min. each along X,Y,Z axes	
Safety Standards	CE, FCC		

Connection



Aura Light International AB, Box 508, 371 23 Karlskrona, Sweden
Phone +46 (0)455 785 00, info@auralight.com, www.auralight.com

630 mm

折叠线

折叠线

备注:说明书单页80g纸 彩色单面印刷

技术要求

1. 印刷颜色: 彩色单面印刷
2. 尺寸准确、印刷清晰、位置准确

公差标准(孔经与图中有标注除外)				
	<60	60-120	120-400	400<
射出成形车件	±0.2	±0.3	±0.4	±0.5
压铸金属冲压件	±0.3	±0.4	±0.5	±0.6
一般金属玻璃	±0.5	±0.8	±1.2	±1.5
其它	±1.0	±1.5	±2.0	±2.5

技术要求

内容	日期	REV	A0
深圳市晟大光电有限公司	使用产品	37W/50W DALI电源	
画法	零件名称	说明书	
第三视角画法	物料编码	0400900319	
制图 欧阳娟萍 2015.5.23	材料	80g纸	
初审	规格	L630*297mm	
复审	比例	单位	mm