

Downlight Installation Instructions

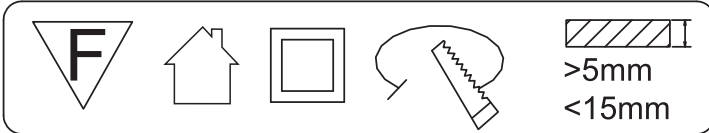
Please read these instructions carefully before commencing installation and retain for future reference. If in doubt, we advise that you consult a qualified electrician to install the product. These products must not be modified. If any modification is made it may invalidate the warranty and may render the product unsafe. All electrical installations must be carried out according to current IEE Wiring Regulations.

Important safety Notes

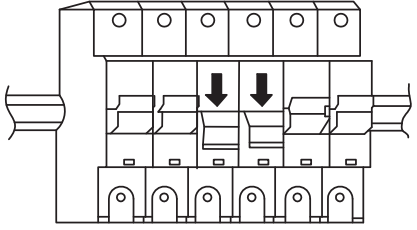
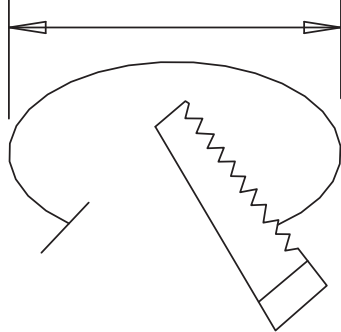
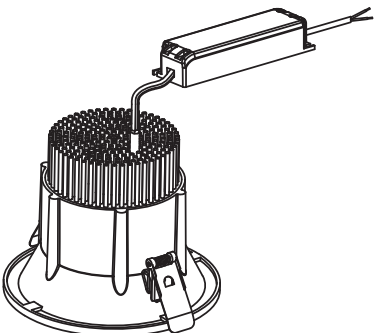
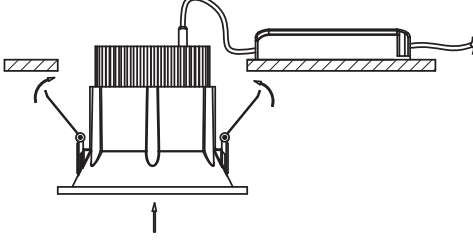
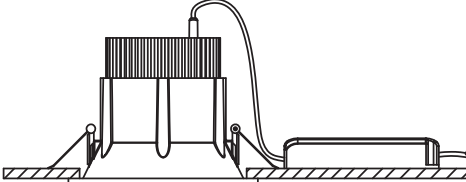
1. Switch off the electricity at the mains before commencing installation or lamp change and (if a fuse box is used) remove the appropriate circuit fuse to avoid accidental switching on of the mains supply
2. Make sure all connections are tight with no loose strands.
3. Ensure fire regulations are not breached when fitting your lights.
4. If you are in any doubt regarding these instructions, consult a qualified electrician.

Warning:

1. For indoor use only
2. Please ensure that the packaging is disposed of in a safe environment
3. If cable is defected, do not use or exchange the cable.
4. We do recommend that a qualified electrician should be used to install the products.
5. Do not look at the lighted lamp directly.



Installation Step

| <p>1 Cut off power</p> <p style="text-align: center;">OFF</p>  | <p>2 Cut out a hole</p>  | <p>3 Connect wires</p>  | | | | | | | | | | | | | | | |
|---|--|---|---------------|----------|---|-----------------|-------|---|------------------|--------|---|------------------|--------|---|----------------|--------|--|
| <p>4 Insert the luminaire</p>  | <table border="1"> <thead> <tr> <th>No.</th> <th>Item/Diameter</th> <th>Holesize</th> </tr> </thead> <tbody> <tr> <td>1</td> <td>11W/Ø105*90.5mm</td> <td>Ø95mm</td> </tr> <tr> <td>2</td> <td>18W/Ø139*110.5mm</td> <td>Ø125mm</td> </tr> <tr> <td>3</td> <td>25W/Ø162*125.5mm</td> <td>Ø140mm</td> </tr> <tr> <td>4</td> <td>45W/Ø185*145mm</td> <td>Ø170mm</td> </tr> </tbody> </table> | No. | Item/Diameter | Holesize | 1 | 11W/Ø105*90.5mm | Ø95mm | 2 | 18W/Ø139*110.5mm | Ø125mm | 3 | 25W/Ø162*125.5mm | Ø140mm | 4 | 45W/Ø185*145mm | Ø170mm | <p>5 Done</p>  |
| No. | Item/Diameter | Holesize | | | | | | | | | | | | | | | |
| 1 | 11W/Ø105*90.5mm | Ø95mm | | | | | | | | | | | | | | | |
| 2 | 18W/Ø139*110.5mm | Ø125mm | | | | | | | | | | | | | | | |
| 3 | 25W/Ø162*125.5mm | Ø140mm | | | | | | | | | | | | | | | |
| 4 | 45W/Ø185*145mm | Ø170mm | | | | | | | | | | | | | | | |

Aura Light International AB, Box 508, 371 23 Karlskrona, Sweden
Phone +46 (0)455 785 00, info@auralight.com, www.auralight.com

技术要求

1. 印刷颜色：黑色单面印刷
2. 尺寸准确、印刷清晰、位置准确

| 公差标准(孔径与图中有标注除外) | | | | | 内容 | 日期 | REV | A0 | | |
|------------------|------|--------|---------|------|-------------|---|-----------|------------|------------|----|
| | <60 | 60-120 | 120-400 | 400< | 深圳市晟大光电有限公司 | 使用产品 | 皇冠筒灯 | | | |
| 射出成形 车件 | ±0.2 | ±0.3 | ±0.4 | ±0.5 | 画法 |  | 零件名称 | 说明书 | | |
| 压铸金属 冲压件 | ±0.3 | ±0.4 | ±0.5 | ±0.6 | 第三视角画法 | | 物料编码 | 0400900321 | | |
| 一般金属 玻璃 | ±0.5 | ±0.8 | ±1.2 | ±1.5 | 制图 | 欧阳娟萍 | 2015.5.23 | 材料 | 80gA4纸 | |
| 其它 | ±1.0 | ±1.5 | ±2.0 | ±2.5 | 初审 | | | 规格 | L210*297mm | |
| 技 术 要 求 | | | | | 复审 | | | 比例 | 单位 | mm |