

Philips GreenSpace

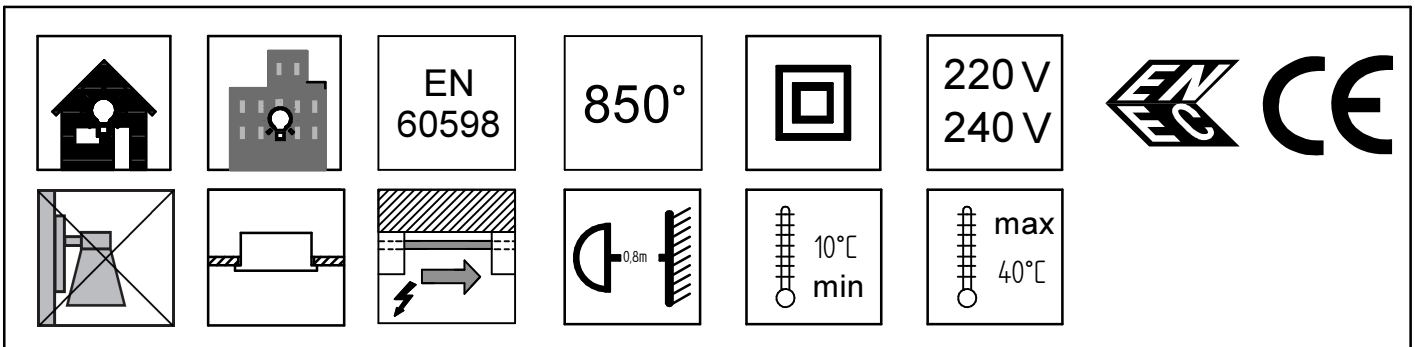
Installation instructions

Instructions de montage
Montageanleitung
Montage instruktiv
Istruzioni di montaggio

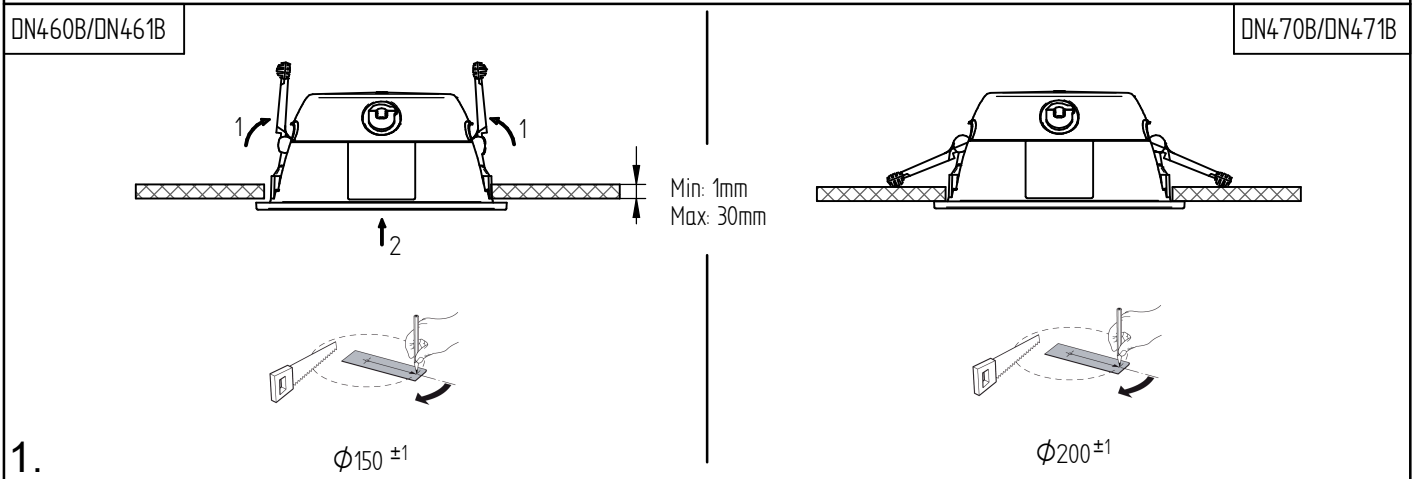
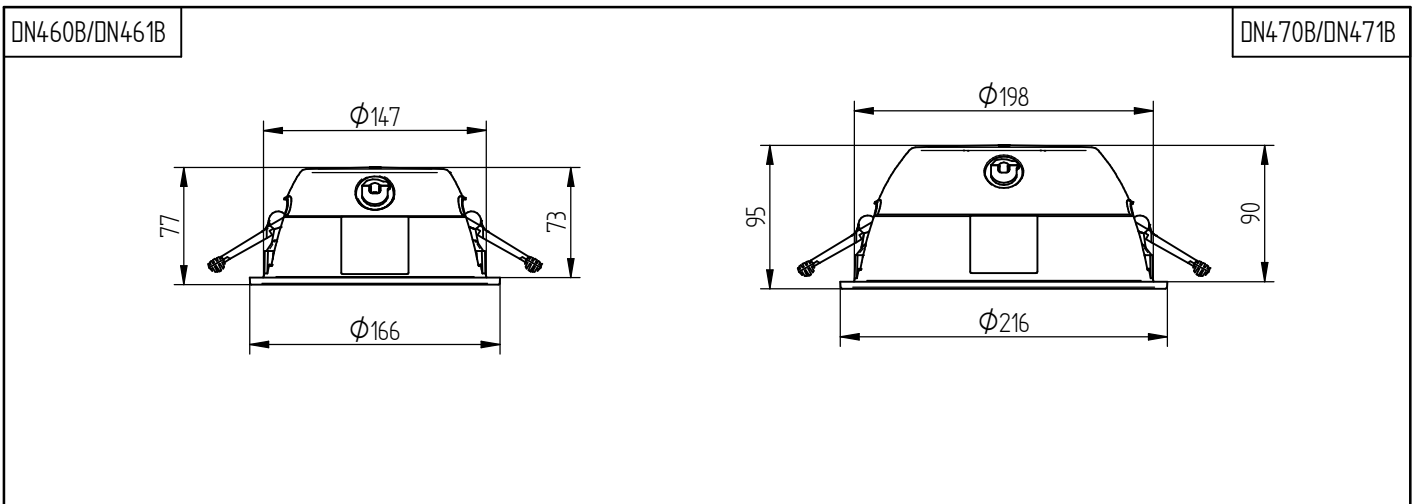
Instrucciones de montaje
Instruções de montagem
Monteringsinstruktioner
Monteringsvejledning

Kokoonpano- ja kiinnitysohjeet
Montaj yönergesi
Odhgiez synarmologhshz
Instrukcja montazu

Szerelési utasítások
Návod k montázi
bycnyerwbz gj vjynf:e
Návod k montázi



	IP20	IP44	UGR19	UGR22	kg	P _{nom}	P _{max}
DN460B PSE/PSED	•			•	0,69 kg	13,8 W	14,6 W
DN470B PSE/PSED	•			•	1,03 kg	24 W	26 W
DN460B IP44		•		•	0,75 kg	13,8 W	14,6 W
DN470B IP44		•		•	1,15 kg	24 W	26 W
DN461B PSE/PSED	•		•		0,7 kg	13,8 W	14,6 W
DN471B PSE/PSED	•		•		1,05 kg	24 W	26 W



4443 160 04662

Version date : 26/05/2014

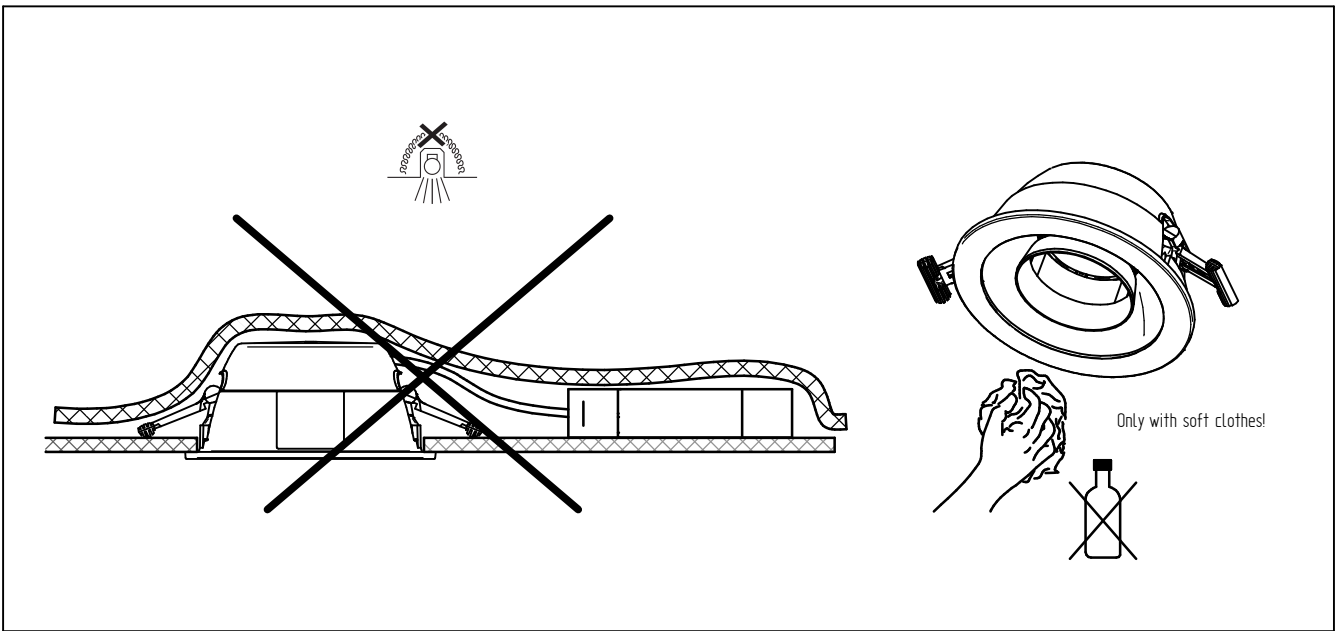
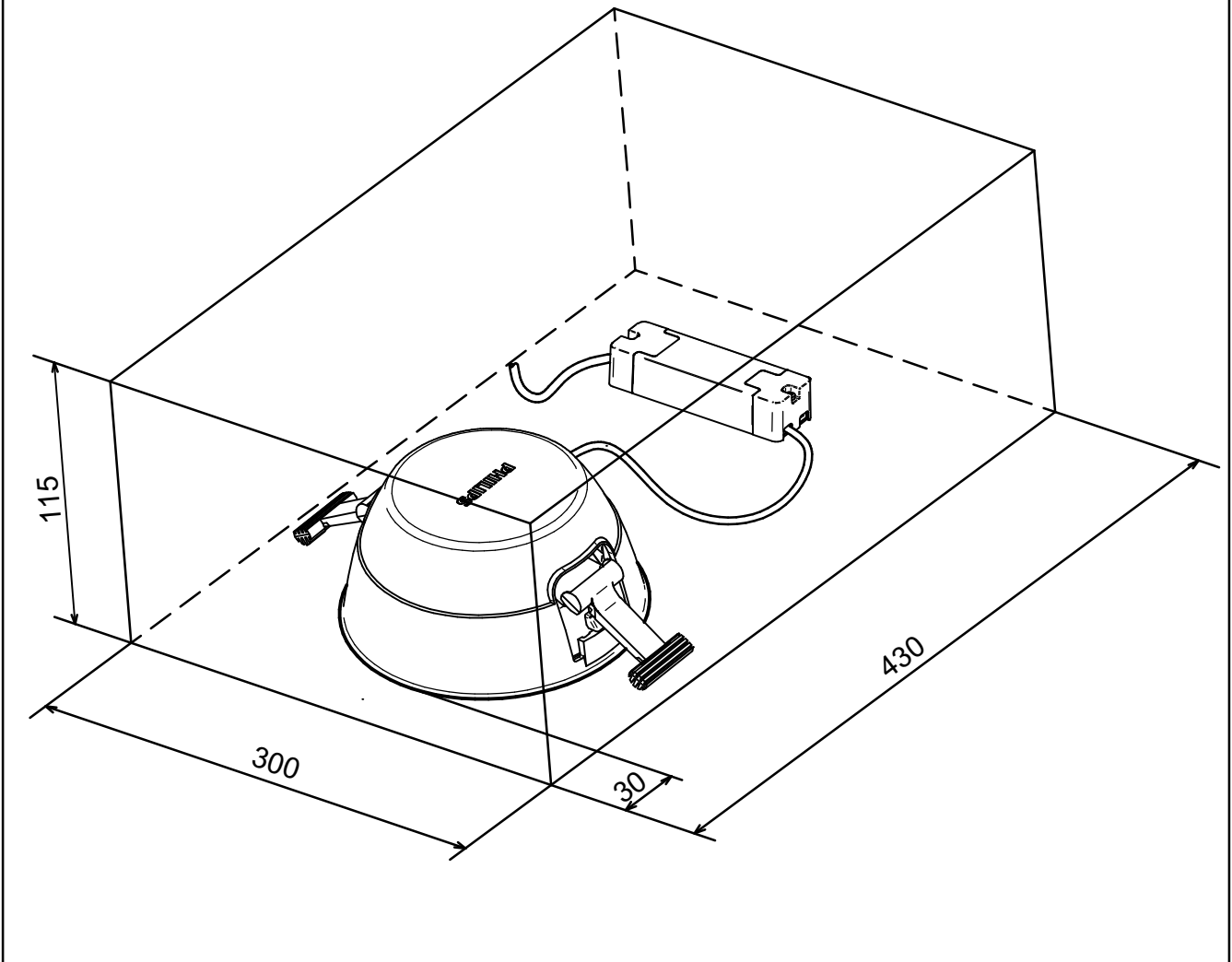
Data Subject to change without notice

Printed in EU

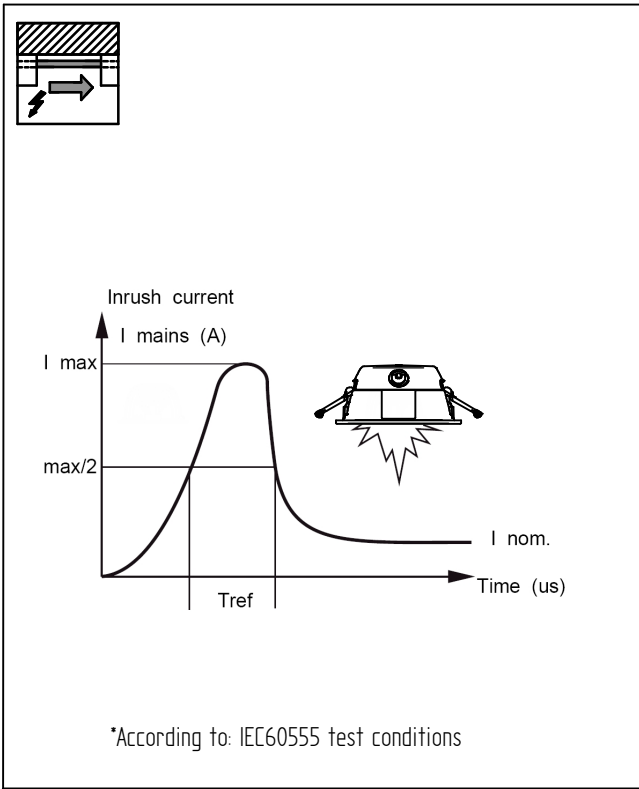
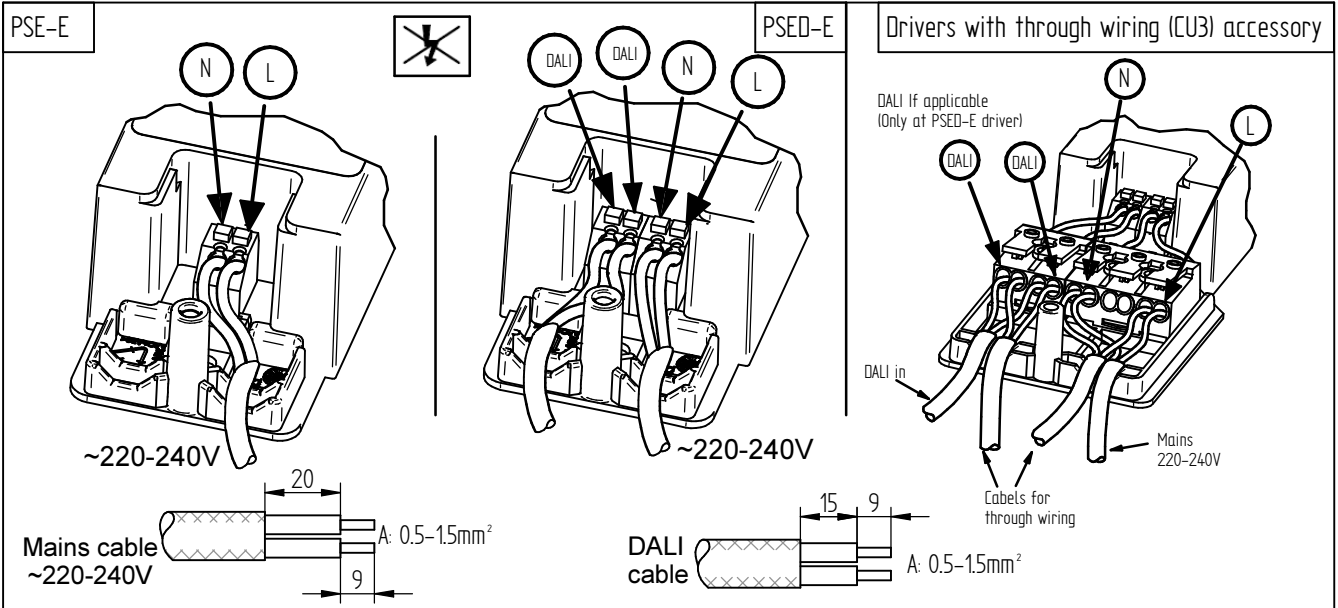
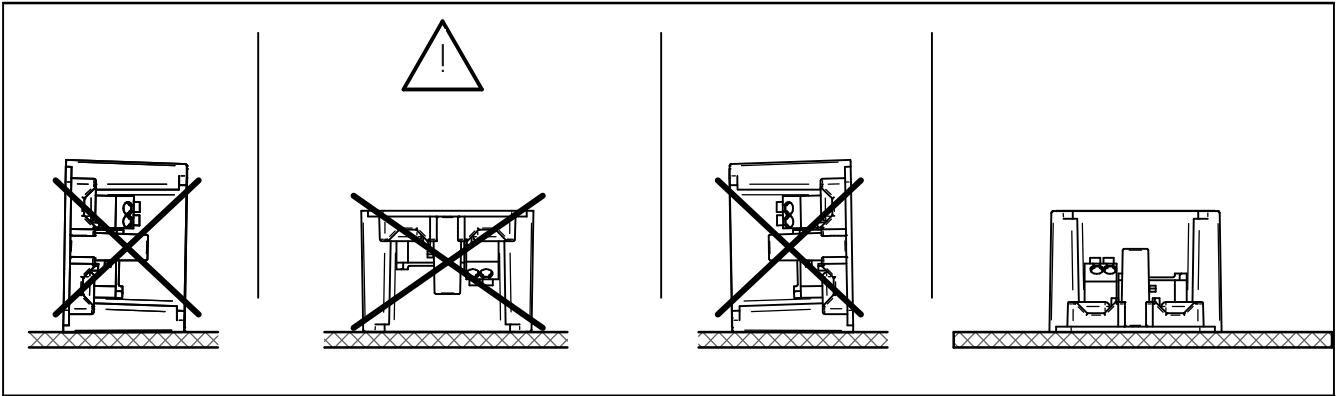
www.philips.com/lighting

PHILIPS

Minimal internal build-in dimensions



2.



LED11S PSE-E		LED20S PSE-E	
Titanium 17W LH 0.3-1A 24V I 230V		Titanium 25W LH 0.3-1A 36V I 230V	
I _{nom} (A)	0,06	I _{nom} (A)	0,106
I _{max} (A)	8	I _{max} (A)	8
T _{ref} (ms)	0,18	T _{ref} (ms)	0,18
MCB	Max Products*	MCB	Max Products*
B-10A	15	B-10A	15
B-16A	24	B-16A	24
C-10A	24	C-10A	24
C-16A	40	C-16A	40

LED11S PSED-E		LED20S PSED-E	
Titanium 17W LH 0.3-1A 24V TD/Is 230V		Titanium 25W LH 0.3-1A 36V TD/Is 230V	
I _{nom} (A)	0,06	I _{nom} (A)	0,106
I _{max} (A)	20	I _{max} (A)	20
T _{ref} (ms)	0,15	T _{ref} (ms)	0,15
MCB	Max Products*	MCB	Max Products*
B-10A	18	B-10A	18
B-16A	30	B-16A	30
C-10A	31	C-10A	31
C-16A	51	C-16A	51

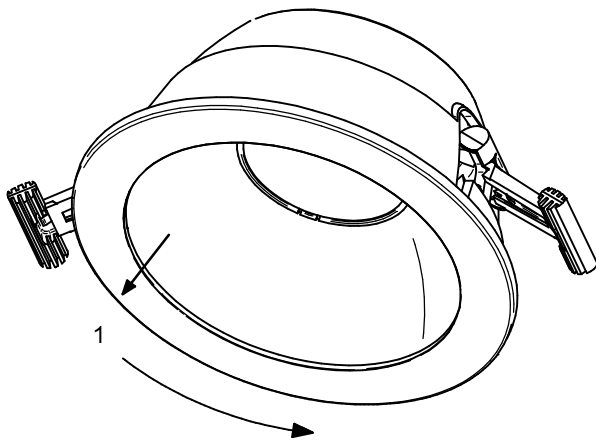
3.

Instruction for opal glass accessory installation (PGO)

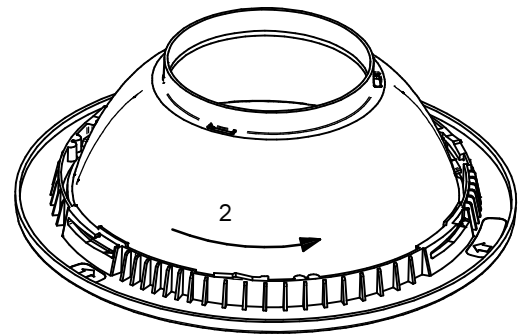


IP20

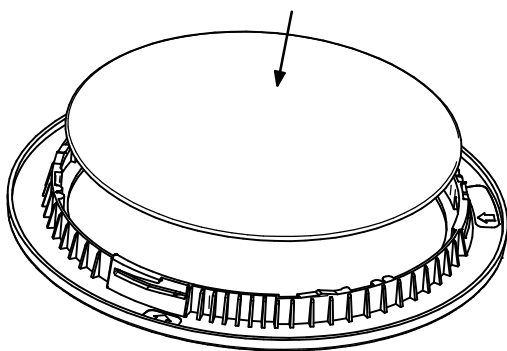
1, Rotate the reflector to unclip it and remove it



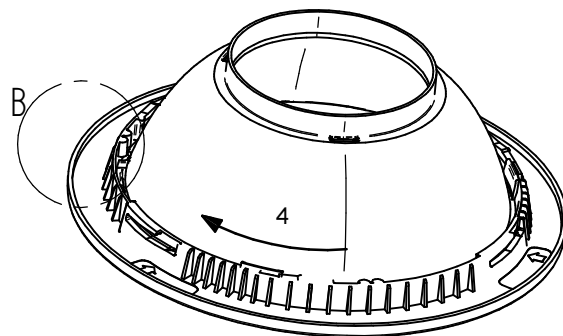
2, Release the reflector from its position (counterclockwise)



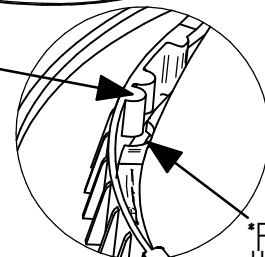
3, place the opal glass into the middle of the plastic rim (sand blasted side must be upside)



4, Replace the reflector into the plastic rim (match the marked features*) and lock the reflector by rotation (clockwise)



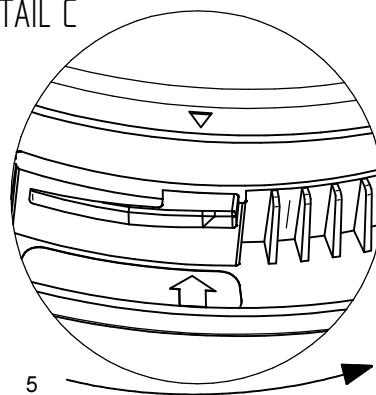
*Feature on the plastic rim



DETAIL B

*Feature on the reflector

DETAIL C



5

5, Remount the reflector unit into the housing (by matching both arrows), and lock it by rotating counterclockwise

4.

4443 160 04662

Version date : 26/05/2014

Data Subject to change without notice

Printed in EU

www.philips.com/lighting