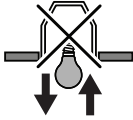
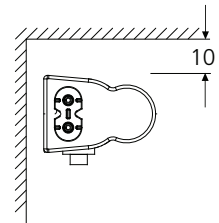
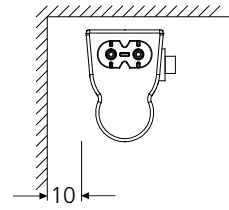
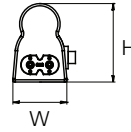
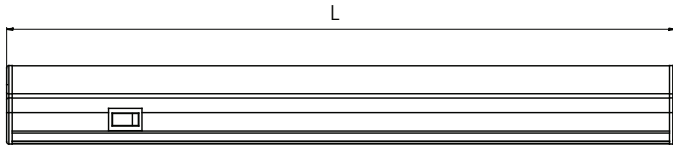


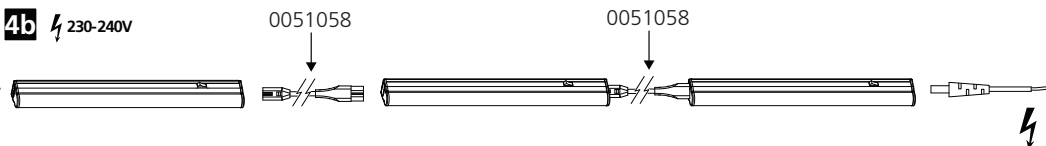
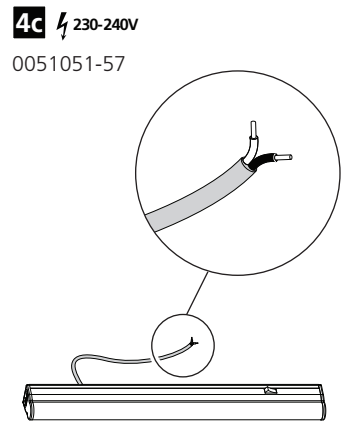
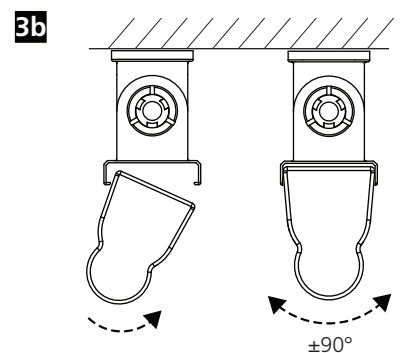
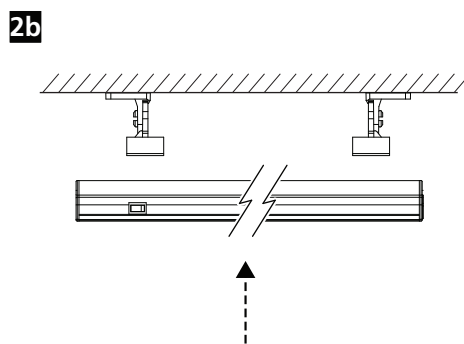
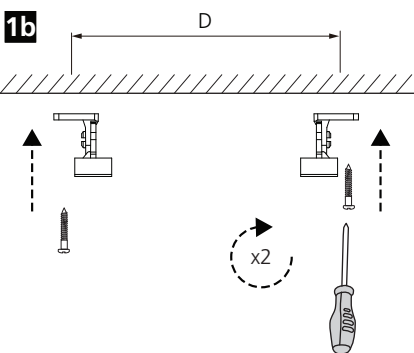
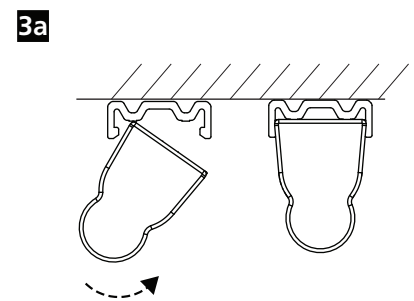
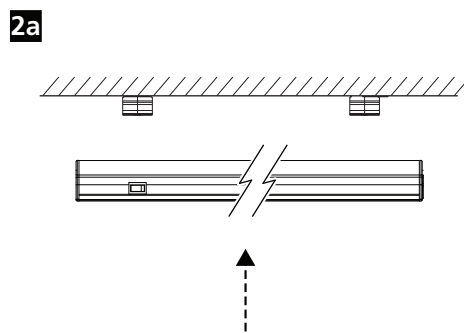
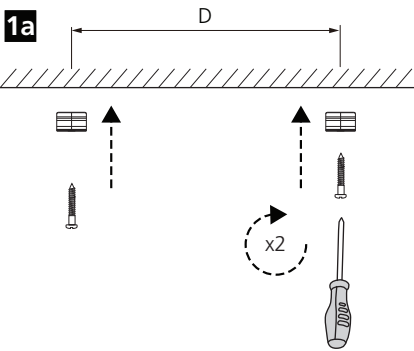
0051026-0051034  
 0051040-0051053  
 0051055-0051060



220-240V~ 50/60Hz



Model	L1(mm)	W(mm)	H(mm)	D(mm)
0051026/0051031/0051041/0051046	300	24	44	160-200
0051027/0051032/0051042/0051047	600			400-440
0051028/0051033/0051043/0051048/0051051/0051055	900			600-640
0051029/0051034/0051044/0051049/0051052/0051056	1200			800-840
0051030/0051040/0051045/0051050/0051053/0051057	1500			1000-1040



**Max qty Per 20A C Type Breaker:**

- 0051026,0051031: Max 45 pcs
- 0051027,0051032: Max 25 pcs
- 0051028,0051033: Max 20 pcs
- 0051029,0051034: Max 15 pcs
- 0051030,0051040: Max 10 pcs
- 0051041,0051046: Max 35 pcs
- 0051042,0051047: Max 25 pcs
- 0051043,0051048: Max 15 pcs
- 0051044,0051049: Max 10 pcs
- 0051045,0051050: Max 10 pcs