

## LUD12-230V



### Power MOSFET 500 W. Standby loss 0.1 watt only.

Modular device for DIN EN 60715 TH35 rail mounting.  
1 module = 18 mm wide, 58 mm deep.

Capacity enhancers LUD12-230V can be connected to the dimmer switches EUD12Z, EUD12M and SUD12 1-10V input. By this the switching capacity for **one lamp** will be increased according to the table depending on ventilation conditions up to 500, 350 or 300 W or **alternatively for additional lamps** up to 500 W per each capacity enhancer. When energy saving lamps ESL are used only suitable with additional lamps since the limit of 100W per lamp may not be exceeded.

Both switching modes for increase of capacity can be executed simultaneously.

Automatic detection of load R+L or R+C in the circuit "Increase of capacity with additional lamps".  
Supply voltage 230V.

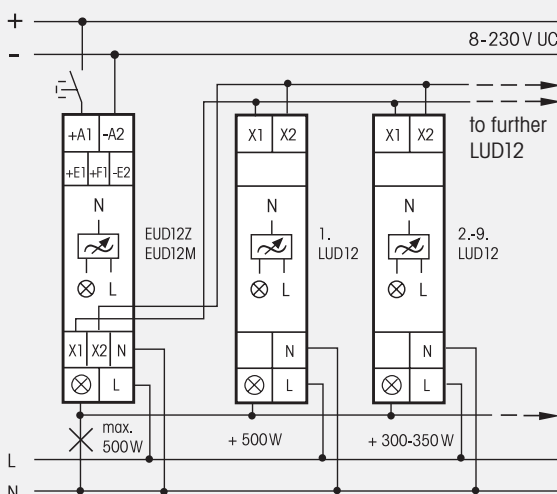
Automatic electronic overload protection and over-temperature switch-off.

In the mode "Increase of capacity with additional lamps" the kind of load of a capacity enhancer LUD12-230V can vary from the kind of load of the universal impulse dimmer switch.

**Therefore it is possible to mix L loads and C loads.**

#### Switching mode

##### Increase of capacity for one lampe (☼)

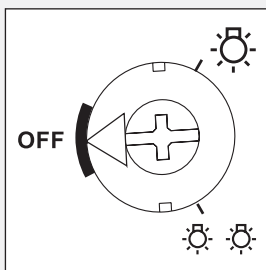


#### Table of increase of capacity for one lamp (☼), not ESL

1st LUD12	+ 500 W
2nd-5th LUD12	+ 350 W each
6th-9th LUD12	+ 300 W each

Max. capacity in total 3600 W.

#### Function rotary switch



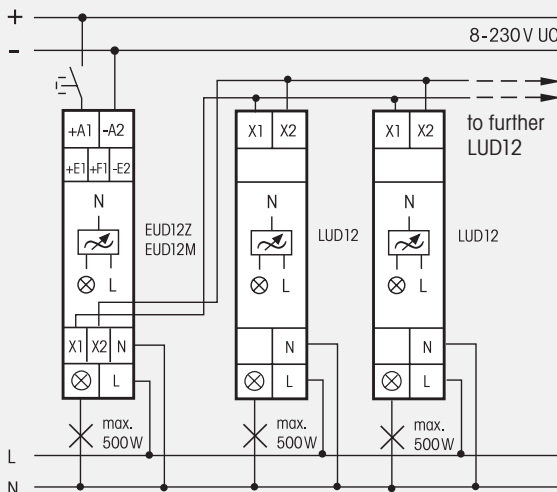
Standard setting ex factory.

The switching mode "one lamp" (☼) or "additional lamps" (☼☼) is set with a rotary switch on the front.

**This setting must be same as the actual installation, otherwise there is a risk of destruction of the electronics.**

#### Switching mode

##### Increase of capacity with additional lamps (☼☼)



Maximal capacity of each additional lamp 500 W.