

TERMINAL BOX 2.5mm² 400V IP67

Aluminium PG 16 cable gland seals. The boxes have 4 x 2.5 mm² mantle terminals and a 2.5 mm² earthing contact. The range covers most installation situations.

RAW MATERIAL
SIZE
NET WEIGHT
PACKAGE

Recycled aluminum
See picture below
0,3 kg/pce – 0,4 kg/pce
10 pcs/Box
270 x 120 x 250 (mm), 2,9 kg-3,1 kg

COUNTRY OF ORIGIN
CERTIFICATION

Finland / Suomi
Certificated according to the standard
EN60670-1:2005, EN 60670-22:2007
(SGS Fimko, NCS/FI 24110)

VOLTAGE
ENCLOSURE CLASS
CONNECTORS
PENTRATIONS

Max 400 V.
IP 67
Screw terminals
We equip the terminal boxes with aluminum PG 16 cable gland seals.

Models:

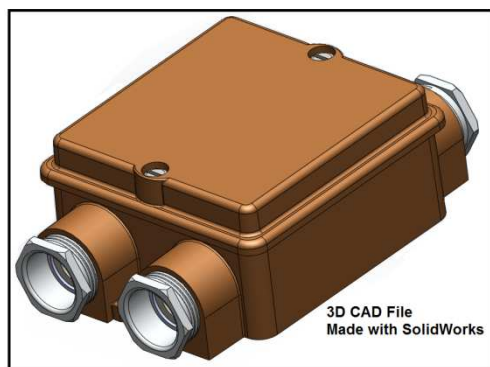
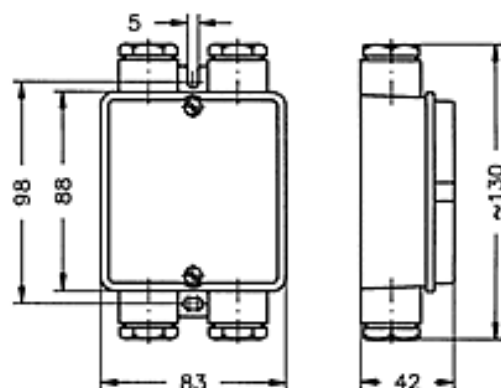
16 237 55












16 237 59



16 237 60



3D CAD files available, e.g. STEP, IGS

				Model	Order no.
			0,3	331 050	16 237 55
			0,3	331 090	16 237 59
			0,3	331 100	16 237 60
Brown			0,3	331 051	16 232 55
Brown			0,3	331 091	16 232 59
Brown			0,3	331 101	16 232 60

