



Saves Your Energy

PEM1816
12.12.2016

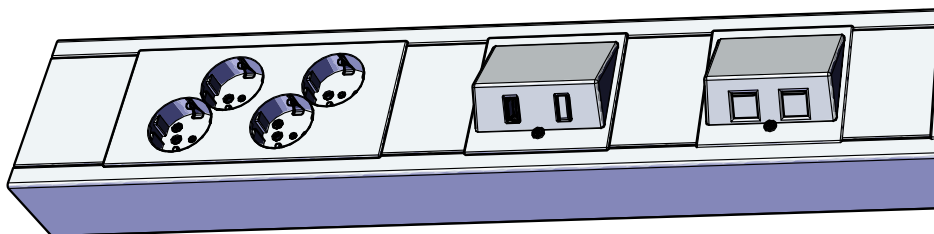
eDuct...

Trunking System Installation Asennus johtokanavaan Montering i kabelkanal

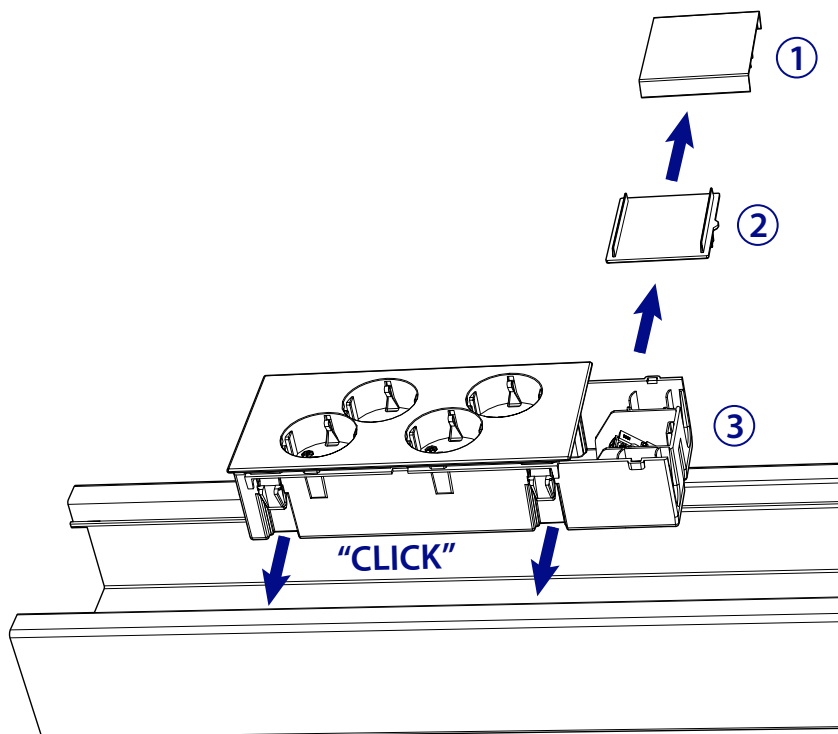
ENG Installation Instruction

FIN Asennusohje

SWE Installationsanvisning




1

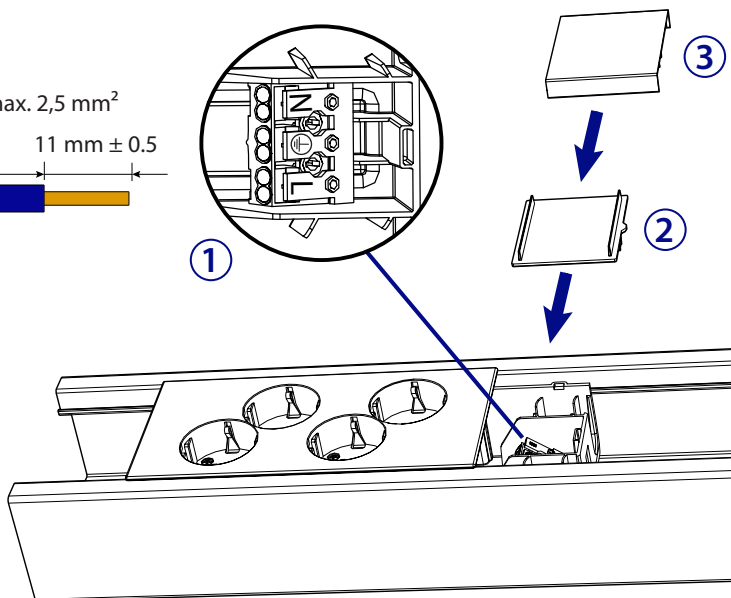


2

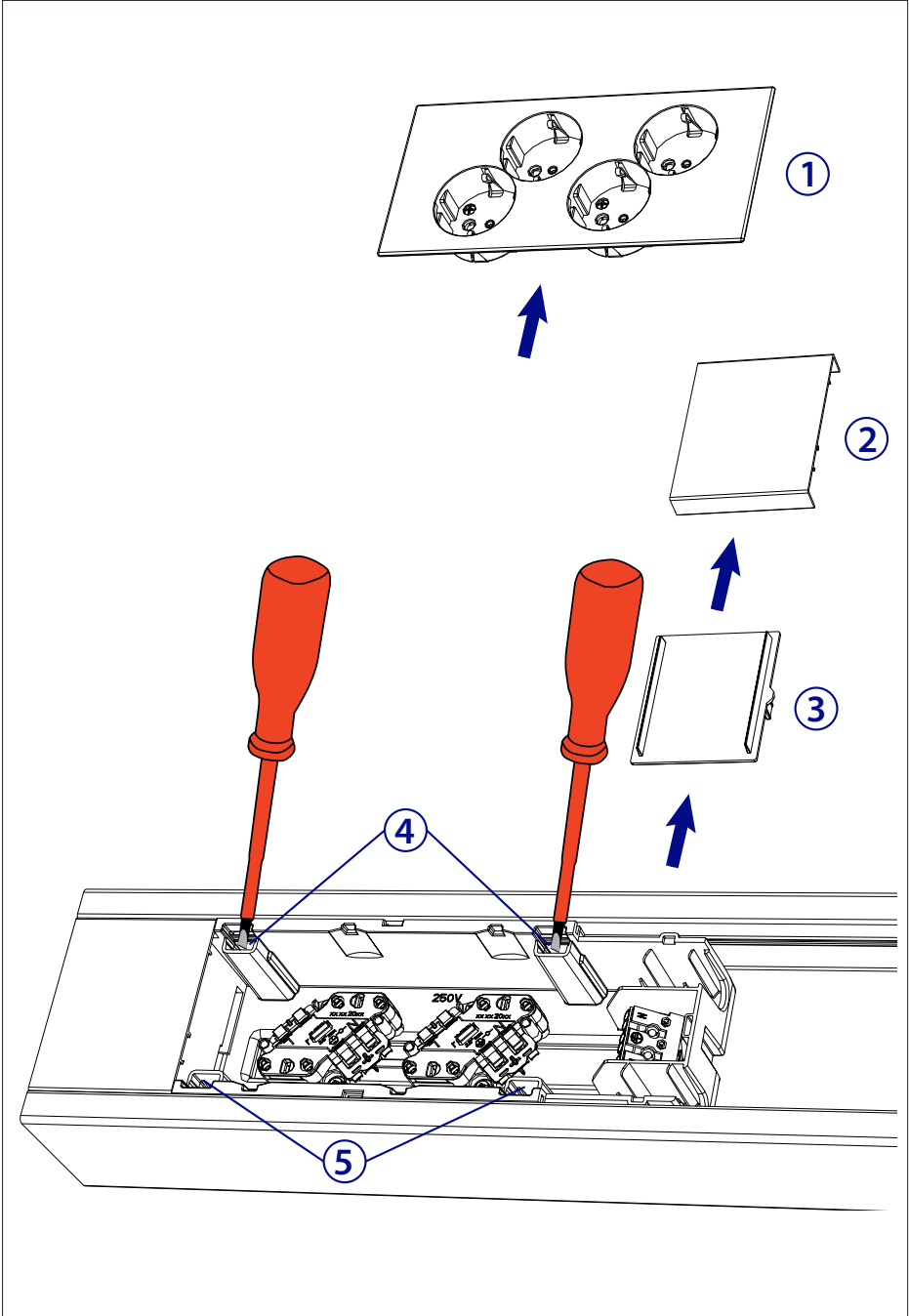
max. 2,5 mm²
11 mm ± 0.5



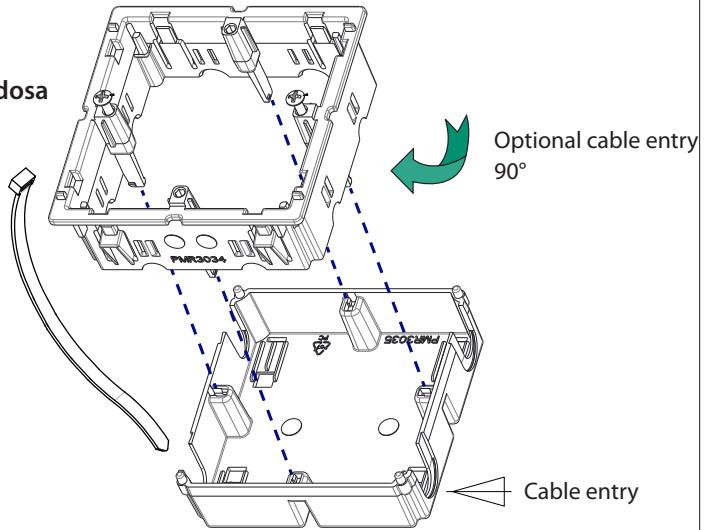
A diagram showing a cross-section of a wire. The wire has a blue insulation layer on the left and a yellow insulation layer on the right. The total width of the wire is indicated as 11 mm ± 0.5. The cross-sectional area of the wire is indicated as max. 2,5 mm².



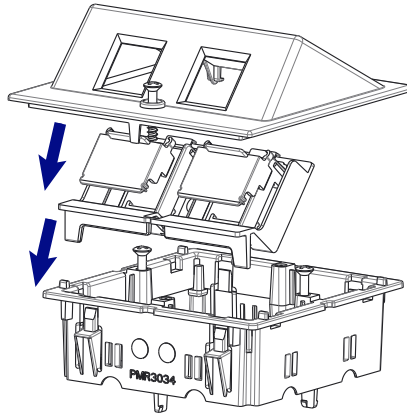
Disassemble / Asennuksen purkaminen / Demontering



Universal box
Yleiskytkentärasia
Universal apparatdosa



Data connection
Dataliitântä
Data-anslutning



Saves Your Energy

Ensto Finland Oy
Ensio Miettisen katu 2, P.O. Box 77
FIN-06101 Porvoo, Finland
Tel. +358 20 47 621
Customer service +358 200 29 007
electrification@ensto.com
www.ensto.com