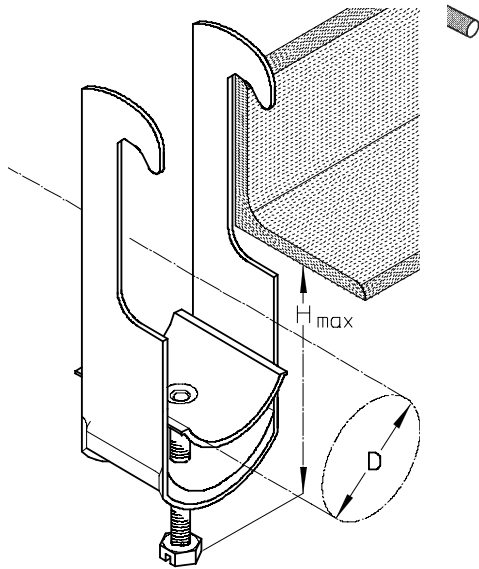



Kabelschellen
Cable clamps
Colliers pour câbles
Abrazaderas

K S



Z

| | D | H _{max} | M |  |
|----------|---------|------------------|-----|---|
| | mm | mm | Nm | kg/100 |
| K 12 S | 8-12 | 41 | 2,0 | 3,6 |
| K 16 S | 12-16 | 46 | 2,0 | 4,1 |
| K 20 S | 16-20 | 50 | 2,0 | 4,6 |
| K 24 S | 20-24 | 54 | 2,0 | 4,8 |
| K 28 S | 24-28 | 58 | 2,0 | 5,3 |
| K 32 S | 28-32 | 63 | 2,0 | 7,9 |
| K 36 S | 32-36 | 67 | 2,0 | 8,4 |
| K 40 S | 36-40 | 71 | 2,0 | 9,0 |
| K 44 S | 40-44 | 81 | 4,0 | 11,2 |
| K 48 S | 44-48 | 85 | 4,0 | 11,7 |
| K 52 S | 48-52 | 90 | 4,0 | 12,4 |
| K 56 S | 52-56 | 94 | 4,0 | 12,9 |
| K 60 S | 56-60 | 98 | 4,0 | 17,2 |
| K 64 S | 60-64 | 102 | 4,0 | 17,7 |
| K 70 S | 64-70 | 109 | 4,0 | 18,6 |
| K 76 S | 70-76 | 113 | 4,0 | 25,3 |
| K 82 S | 76-82 | 119 | 4,0 | 28,5 |
| K 88 S | 82-88 | 125 | 4,0 | 29,4 |
| K 94 S | 88-94 | 131 | 4,0 | 33,2 |
| K 100 S | 94-100 | 137 | 4,0 | 34,8 |
| K 110 S | 101-110 | 157 | 4,0 | 38,2 |
| K 120 S | 111-120 | 167 | 4,0 | 40,3 |
| K 150 S | 145-150 | 203 | 4,0 | 107,7 |
| K 175 S | 170-175 | 228 | 4,0 | 128,0 |
| K 12/2 S | 8-12 | 58 | 2,0 | 4,2 |
| K 16/2 S | 12-16 | 67 | 2,0 | 4,9 |
| K 20/2 S | 16-20 | 75 | 2,0 | 5,7 |
| K 24/2 S | 20-24 | 84 | 2,0 | 6,2 |
| K 28/2 S | 24-28 | 92 | 2,0 | 6,7 |
| K 32/2 S | 28-32 | 101 | 2,0 | 10,3 |
| K 36/2 S | 32-36 | 109 | 2,0 | 11,3 |
| K 40/2 S | 36-40 | 117 | 2,0 | 12,0 |
| K 44/2 S | 40-44 | 127 | 4,0 | 15,2 |
| K 48/2 S | 44-48 | 135 | 4,0 | 16,6 |
| K 52/2 S | 48-52 | 144 | 4,0 | 16,9 |
| K 56/2 S | 52-56 | 152 | 4,0 | 18,2 |
| K 12/3 S | 8-12 | 71 | 2,0 | 5,2 |
| K 16/3 S | 12-16 | 85 | 2,0 | 5,9 |
| K 20/3 S | 16-20 | 97 | 2,0 | 6,6 |
| K 24/3 S | 20-24 | 110 | 2,0 | 7,5 |
| K 28/3 S | 24-28 | 122 | 2,0 | 8,4 |

