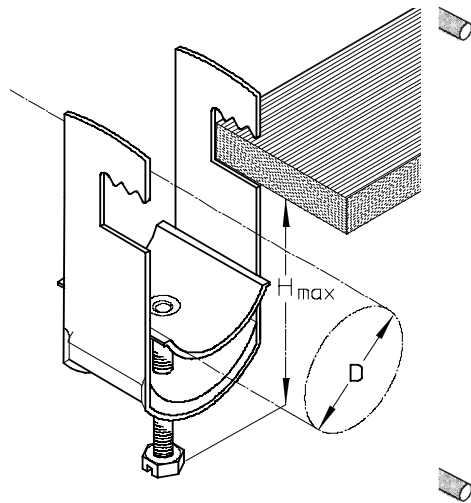



Kabelschellen
Cable clamps
Colliers pour câbles
Abrazaderas

K U



AL

	D	H _{max}	M		
	mm	mm	Nm	kg/100	
K 12 U-AL	8-12	41,0	2,0	2,0	
K 16 U-AL	12-16	46,0	2,0	2,6	
K 20 U-AL	16-20	50,0	2,0	3,0	
K 24 U-AL	20-24	54,0	2,0	3,1	
K 28 U-AL	24-28	58,0	2,0	3,4	
K 32 U-AL	28-32	63,0	2,0	4,5	
K 36 U-AL	32-36	67,0	2,0	4,9	
K 40 U-AL	36-40	71,0	2,0	5,3	
K 44 U-AL	40-44	81,0	4,0	6,0	
K 48 U-AL	44-48	85,0	4,0	6,4	
K 52 U-AL	48-52	90,0	4,0	9,9	
K 56 U-AL	52-56	94,0	4,0	10,7	

E

K 12 U-VA	8-12	41,0	2,0	2,9	
K 16 U-VA	12-16	46,0	2,0	3,3	
K 20 U-VA	16-20	50,0	2,0	3,7	
K 24 U-VA	20-24	54,0	2,0	4,0	
K 28 U-VA	24-28	58,0	2,0	4,4	
K 32 U-VA	28-32	63,0	2,0	5,4	
K 36 U-VA	32-36	67,0	2,0	6,7	
K 40 U-VA	36-40	71,0	2,0	7,6	
K 44 U-VA	40-44	81,0	4,0	9,3	
K 48 U-VA	44-48	85,0	4,0	9,9	
K 52 U-VA	48-52	90,0	4,0	11,0	
K 56 U-VA	52-56	94,0	4,0	11,3	

Z

K 12 U-IW	8-12	42,5	2,0	3,3	
K 16 U-IW	12-16	47,5	2,0	3,6	
K 20 U-IW	16-20	51,5	2,0	4,1	
K 24 U-IW	20-24	55,7	2,0	4,6	
K 28 U-IW	24-28	59,7	2,0	4,8	
K 32 U-IW	28-32	65,0	2,0	7,5	
K 36 U-IW	32-36	69,0	2,0	7,9	
K 40 U-IW	36-40	73,0	2,0	8,7	
K 44 U-IW	40-44	83,0	4,0	11,1	
K 48 U-IW	44-48	87,0	4,0	11,7	
K 52 U-IW	48-52	92,5	4,0	12,6	
K 56 U-IW	52-56	96,5	4,0	13,2	
K 60 U-IW	56-60	100,5	4,0	17,5	
K 64 U-IW	60-64	104,5	4,0	18,3	
K 70 U-IW	64-70	111,5	4,0	19,6	

K U-IW

