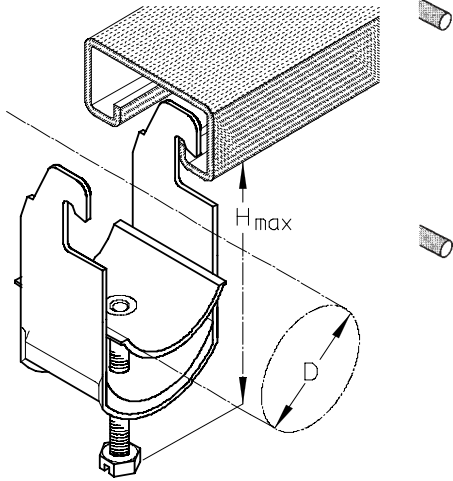


Kabelschellen
Cable clamps
Colliers pour câbles
Abrazaderas

K AC



AL

K 36 AC-AL	32-36	67,0	1,5	5,5
K 40 AC-AL	36-40	71,0	1,5	5,9
K 44 AC-AL	40-44	81,0	3,0	7,6
K 48 AC-AL	44-48	85,0	3,0	8,3
K 52 AC-AL	48-52	90,0	3,0	10,2
K 56 AC-AL	52-56	94,0	3,0	10,6

E

K 12 AC-VA	8-12	41,0	2,0	2,6
K 16 AC-VA	12-16	46,0	2,0	2,9
K 20 AC-VA	16-20	50,0	2,0	3,2
K 24 AC-VA	20-24	54,0	2,0	3,6
K 28 AC-VA	24-28	58,0	2,0	4,1
K 32 AC-VA	28-32	63,0	2,0	4,8

K 36 AC-VA	32-36	67,0	2,0	5,8
K 40 AC-VA	36-40	71,0	2,0	6,6
K 44 AC-VA	40-44	81,0	4,0	8,6
K 48 AC-VA	44-48	85,0	4,0	9,1
K 52 AC-VA	48-52	90,0	4,0	9,8
K 56 AC-VA	52-56	94,0	4,0	10,8

K 12/2 AC-VA	8-12	58,0	2,0	3,4
K 16/2 AC-VA	12-16	67,0	2,0	3,8
K 20/2 AC-VA	16-20	75,0	2,0	4,3
K 24/2 AC-VA	20-24	84,0	2,0	5,0
K 28/2 AC-VA	24-28	92,0	2,0	5,4
K 32/2 AC-VA	28-32	101,0	2,0	7,3

K 36/2 AC-VA	32-36	109,0	2,0	8,1
K 40/2 AC-VA	36-40	117,0	2,0	9,7
K 44/2 AC-VA	40-44	127,0	4,0	11,7
K 48/2 AC-VA	44-48	135,0	4,0	12,9
K 52/2 AC-VA	48-52	144,0	4,0	14,0
K 56/2 AC-VA	52-56	152,0	4,0	14,9

➔ A 41, A 2, A 4, A 9, A 8, A 7 F39

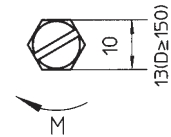
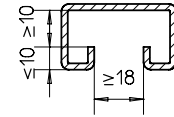
Z

K 12 AC-IW	8-12	42,5	2,0	2,8
K 16 AC-IW	12-16	47,5	2,0	3,2
K 20 AC-IW	16-20	51,5	2,0	3,6
K 24 AC-IW	20-24	55,7	2,0	4,2
K 28 AC-IW	24-28	59,7	2,0	4,5
K 32 AC-IW	28-32	65,0	2,0	7,1

K 36 AC-IW	32-36	69,0	2,0	7,5
K 40 AC-IW	36-40	73,0	2,0	8,2
K 44 AC-IW	40-44	83,0	4,0	10,2
K 48 AC-IW	44-48	87,0	4,0	10,6
K 52 AC-IW	48-52	92,5	4,0	11,6
K 56 AC-IW	52-56	96,5	4,0	12,2

K 60 AC-IW	56-60	100,5	4,0	15,9
K 64 AC-IW	60-64	104,5	4,0	17,5
K 70 AC-IW	64-70	111,5	4,0	18,6

➔ A 41, A 2, A 4, A 9, A 8, A 7 F39



K AC-IW

