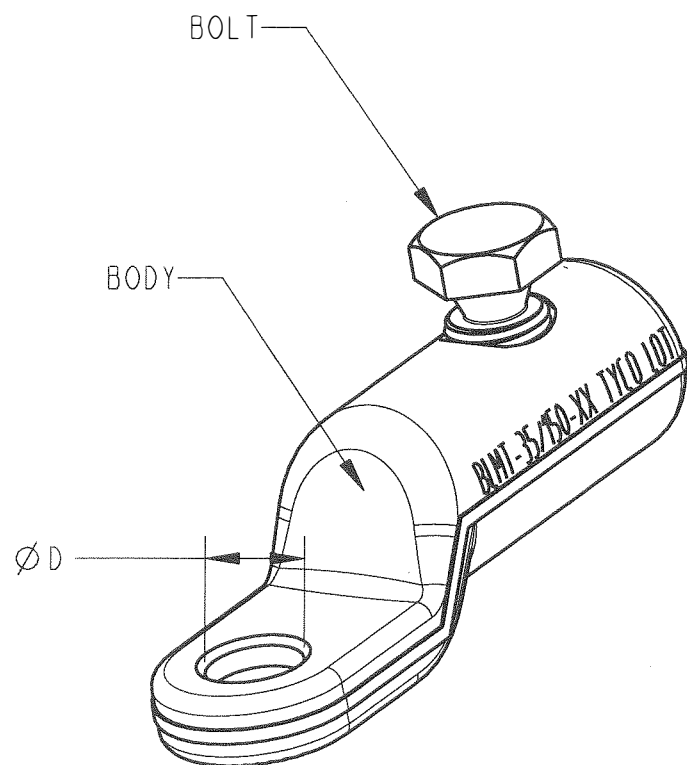
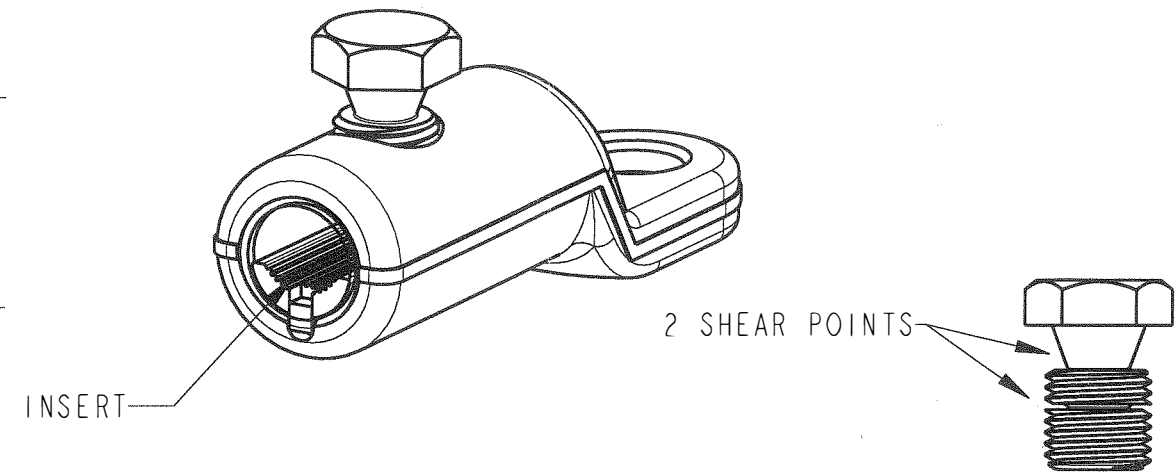
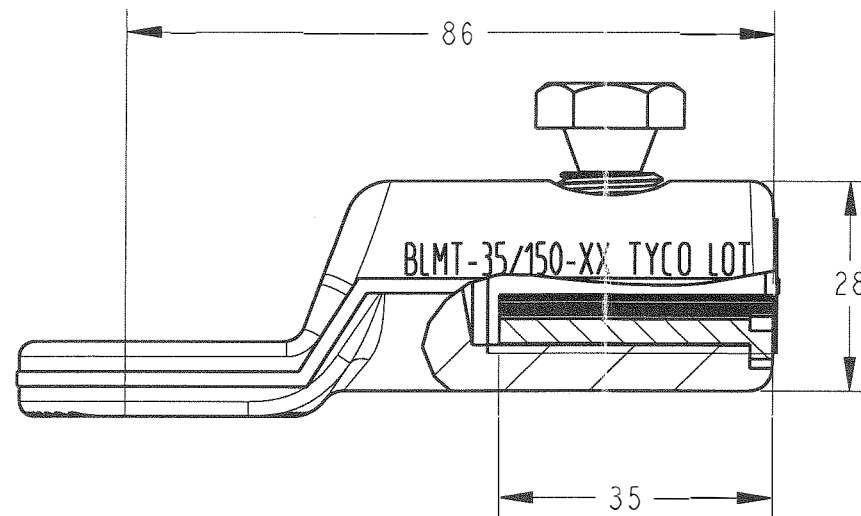
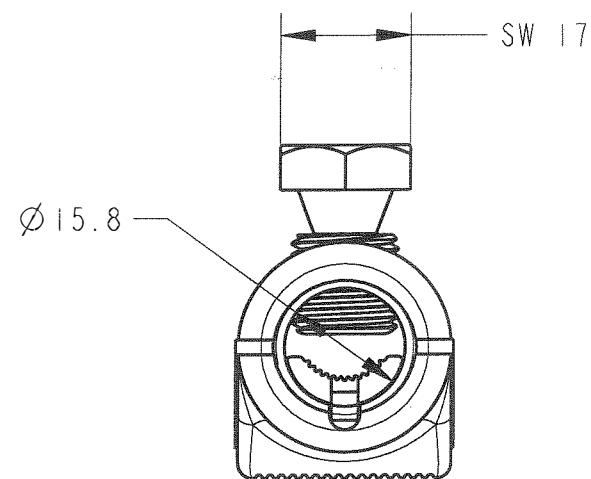


P	LTR REV	DESCRIPTION MODIFICATIONS	DATE	DWN DESS.	APVD APP.
	0	CREATION	26JAN2005	NA	AD

BLMT-35/150-17	17	6-1201560-2	D80047-000
BLMT-35/150-13	13	1-1201561-0	F61108-000
DESCRIPTION	ØD	PART NUMBER	RPN



	AL				CU		
	RM ROUND STRANDED	RE ROUND SOLID	SM SECTOR STRANDED	SE SECTOR SOLID	RM ROUND STRANDED	RE ROUND SOLID	SM SECTOR STRANDED
CONDUCTOR CROSS-SECTION QUERSCHNITTSBEREICH mm ²	35 - 150	35 - 150	50 - 95	50 - 120	35 - 150	35 - 50	50 - 95
CONDUCTOR DIAMETER LEITERDURCHMESSER mm	Ø6.8 - Ø15	Ø6.5 - Ø14	-	-	Ø6.6 - Ø15	Ø6.5 - Ø8	-

TOLERANCES UNLESS OTHERWISE SPECIFIED
TOLERANCES NON SPECIFIEES:

<p>THIS DRAWING IS A CONTROLLED DOCUMENT FOR TYCO ELECTRONICS CORPORATION. IT IS SUBJECT TO CHANGE AND THE CONTROLLING ENGINEERING ORGANIZATION SHOULD BE CONTACTED FOR THE LATEST REVISION.</p> <p>CE PLAN EST UN DOCUMENT CONTROLE PAR TYCO ELECTRONICS CORPORATION. IL EST SUSCEPTIBLE D'ETRE REVISE. CONTACTER LE SERVICE TECHNIQUE POUR OBTENIR LA DERNIERE REVISION.</p>		<p>DWN/DESSINE 26JAN2005 N. ALMEIDA</p> <p>CHK/VERIFIE A. DUPONT</p> <p>APVD/APPROUVE G. JOANNY</p> <p>PRODUCT SPEC SPEC. PRODUIT</p> <p>APPLICATION SPEC SPEC. APPLICATION</p>		<p>NAME TITRE BLMT-35/150-13 BLMT-35/150-17</p>	
<p>DIMENSIONS: mm</p> <p>TOLERANCES UNLESS OTHERWISE SPECIFIED: TOLERANCES NON SPECIFIEES (SUIVANT DE DECIMALES): 0 PLC/DEC: ±0 1 PLC/DEC: ±0 2 PLC/DEC: ±0 3 PLC/DEC: ±0 4 PLC/DEC: ±0 ANGLES ±</p>		<p>MATERIAL MATIERE AL ALLOY</p> <p>FINISH FINITION TINNED</p>		<p>SIZE FORMAT A3</p> <p>CAGE CODE 00779</p> <p>DRAWING NO No PLAN C=1806906</p> <p>RESTRICTED TO RESERVE A</p>	
<p>CUSTOMER DRAWING /PLAN CLIENT</p>		<p>UNIQUEMENT POUR REFERENCE</p> <p>SCALE ECHELLE</p>		<p>SHEET FEUILLE OF DE REV 0</p>	