

Catalogue

# Optyma™ Plus

Quietly efficient plug & play solution

R452A, R134a, R448A, R449A, R407A, R407F, R404A/R507 - 50 Hz





<b>Quietly efficient plug &amp; play solution .....</b>	<b>4</b>
<b>Product Range &amp; Features .....</b>	<b>5</b>
Main product features.....	5
Capacity & Operating range.....	5
<b>Designation system .....</b>	<b>6</b>
<b>Performance data R404A/R507 LBP .....</b>	<b>7</b>
<b>Performance data R452A LBP .....</b>	<b>8</b>
<b>Performance data R134a MBP .....</b>	<b>9</b>
<b>Performance data R404A/R507 MBP .....</b>	<b>11</b>
<b>Performance data R449A MBP .....</b>	<b>14</b>
<b>Performance data R448A MBP .....</b>	<b>17</b>
<b>Performance data R407A MBP .....</b>	<b>18</b>
<b>Performance data R407F MBP .....</b>	<b>19</b>
<b>Technical Data.....</b>	<b>20</b>
<b>Spareparts &amp; accessories - LBP .....</b>	<b>21</b>
<b>Spareparts &amp; accessories - MBP .....</b>	<b>23</b>
<b>Spareparts &amp; accessories list .....</b>	<b>26</b>
<b>Dimensions .....</b>	<b>29</b>
Housing 1 .....	29
Housing 2 .....	29
Housing 3 .....	30
Housing 4 .....	30
<b>Electrical wiring diagrams .....</b>	<b>31</b>



**Silent and outstanding performance**

The Optyma™ **Plus** can be located even in residential areas. Smart compressor design, acoustic insulation and fan speed reduction during low capacity operation periods make the Optyma™ **Plus** the quietest solution today to respect your environment.



**Effortless installation**

Featuring a more compact design, reduced weight and simplified wiring, the Optyma™ **Plus** Plug & Play unit is among the fastest to install and easiest to service. All parameters are already set up, switch on the power, and the cooling process is up and running!



**Increased efficiency and sustainable solutions**

Optyma™ **Plus** Condensing units range is compliant Ecodesign 2016 presenting high energetic efficiency solution improving payback and environmental impact. With the Optyma™ **Plus** substantial energy savings can be achieved thanks to the energy efficient components inside such as: optimized compressors, micro channel heat exchanger, high efficiency fan motors, fan speed and crank case heater control. You are going to reduce the energy consumption significantly and therefore, cut the energy bills.



**The highest standard and quality**

We provide 100% factory tested units to our customers with premium quality. We at Danfoss do not accept any compromise regarding reliability of our products. The Optyma™ **Plus** includes all the best of our condensing units.



**Environmental friendly**

Optyma™ **Plus** Condensing units meet Ecodesign 2016 targets and Energy related Product (ErP) directive applicable for fan motors. In addition, Optyma™ **Plus** Condensing units are qualified with Low GWP refrigerant reducing environmental impact.



**Stock and logistics optimization**

Multirefrigerant condensing units with optimized packaging cover a wide variety of applications and reduce your stock. Most of the Danfoss condensing units can be used with R404A/R507, R134a, R452A, R448A, R449A pick what best fits your application.



**Increase business opportunity with complete range of condensing units**

Danfoss Optyma™ **Plus** extend your possibilities with new models for low and medium temperatures. Your cooling capacity has almost no limits.



For more information related to EcoDesign compliance, please refer to Coolselector® [coolselector.danfoss.com](http://coolselector.danfoss.com) or contact Danfoss



### Main product features

Electronic controller



Micro channel heat exchanger



3 access doors



Parameter monitoring and control

Electrical box IP54

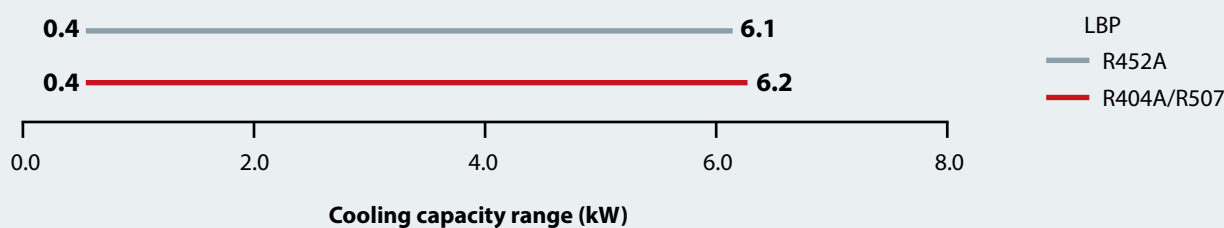
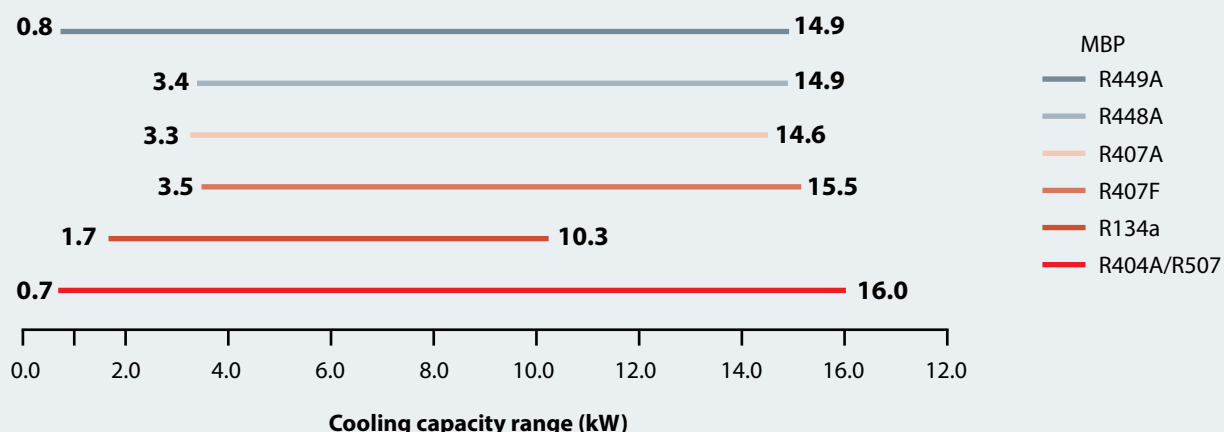
On site stack mounting

Fully weather resistant

Plug and play

Compact design

### Capacity & Operating range



MBP Rated conditions, Saturated suction temperature -10°C. Ambient air temperature +32°C. Superheat 10K. SubCooling 0K  
 LBP Rated conditions, Saturated suction temperature -35°C. Ambient air temperature +32°C. Superheat 10K. SubCooling 0K

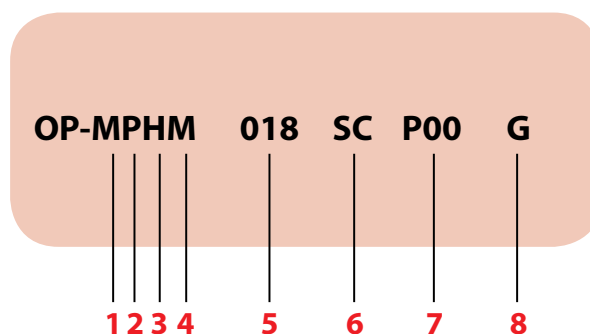
Condensing Unit Limits  
 Ambient Temp [°C] Up to 43°C

T Evaporation [°C]	Min	Max
LBP R404A	-40	-10
LBP R452A	-40	-10
MBP R134a	-15	15
MBP R404A	-20	10
MBP R449A	-25	8
MBP R448A	-25	8
MBP R407F	-20	10
MBP R407A	-20	10

Limits depends on the selected unit, electronic controller inside unit works at ambient temperature from -25 to +55°C.

**Designation system for the Optyma™ Plus program**

(additional program frequency etc.: please contact your local wholesaler)



<p><b>1</b> Application</p>	<p>M = MBP L = LBP</p>
<p><b>2</b> Family</p>	<p>P = Optyma™ Plus</p>
<p><b>3</b> Refrigerant</p>	<p>Q= R452A/R404A/507 ; G=R134a ; H = R404A/R507 Z= R404A/507/R134a/R407A/R407F/R452A/R448A/R449A X = R404A/507/R134a/R407A/R407F/R448A/R449A Y = R404A/507/R449A</p>
<p><b>4</b> Condenser</p>	<p>Micro Channel Heat Exchanger</p>
<p><b>5</b> Displacement</p>	<p>Displacement in cm<sup>3</sup></p>
<p><b>6</b> Compressor platform</p>	<p>AJ = CAJ, TAJ (Reciprocating)    MP = MPT (Reciprocating) FH = FH, TFH (Reciprocating)    MY = MLY (Reciprocating) NF = NF (Reciprocating)          MX = MX (Reciprocating) NT = NTZ (Reciprocating)        ML = MLZ (Scroll) SC = SC (Reciprocating)          LL = LLZ (Scroll)</p>
<p><b>7</b> Version</p>	<p>P00 Standard Optyma™ Plus</p>
<p><b>8</b> Voltage code</p>	<p>G = 230V-1ph Comp &amp; Fan E = 400V-3ph Comp &amp; 230V-1ph Fan</p>

Performance with SH=10K &amp; SC=0K

Code number	Model number	Electrical code	Tamb [°C]	Cooling capacity Q [kW]						P [kW]		EcoDesign (3)				Sound power level [dB(A)]	Sound pressure level 10 m [dB(A)]		
				Te [°C]						COP (2)	Q [kW]	P [kW]	COP <sub>A</sub>	SEPR					
				-40°C	-35°C	-30°C	-25°C	-20°C	-15°C						-10°C			-25°C	
114X3118	OP-LPQM017MPP00G	G	27		0.54	0.71	0.90	1.12	1.35	1.59									
			32		0.48	0.64	0.82	1.01	1.23	1.46	0.62	1.33	0.54	0.50	1.07		60	29	
			38		0.41	0.55	0.71	0.89	1.09	1.31									
			43		0.36	0.48	0.63	0.79	0.97	1.17									
114X3109	OP-LPHM018SCP00G	G	27	0.41	0.55	0.72	0.91	1.14	1.40	1.70									
			32	0.36	0.49	0.64	0.82	1.04	1.28	1.56	0.72	1.15	0.55	0.57	0.96		60	29	
			38	0.30	0.41	0.55	0.72	0.91	1.13	1.39									
			43	0.24	0.35	0.48	0.63	0.80	1.01	1.24									
114X3216	OP-LPQM026AJP00G	G	27	0.53	0.73	0.98	1.27	1.61	1.99	2.43									
			32	0.45	0.64	0.87	1.14	1.45	1.81	2.22	0.91	1.26	0.72	0.72	1.01		67	36	
			38	0.37	0.54	0.75	0.99	1.27	1.59	1.96									
			43		0.46	0.64	0.86	1.11	1.40	1.74									
114X3225	OP-LPQM048NTP00G	G	27	0.78	1.13	1.57	2.08	2.68	3.35	4.10									
			32	0.65	0.98	1.38	1.85	2.40	3.02	3.71	1.44	1.28	1.10	1.10	1.01		69	38	
			38	0.50	0.80	1.15	1.58	2.06	2.61	3.23									
			43	0.38	0.65	0.97	1.35	1.78											
114X3233	OP-LPQM048NTP00E	E	27	0.78	1.14	1.57	2.07	2.64	3.29	4.01									
			32	0.67	1.00	1.39	1.85	2.37	2.96	3.61	1.43	1.29	1.13	1.00	1.13		69	38	
			38	0.54	0.83	1.18	1.58	2.04	2.57	3.15									
			43	0.43	0.69	1.00	1.36	1.77											
114X3253	OP-LPQM074FHP00E	E	27	1.18	1.67	2.25	2.93	3.69	4.54	5.47									
			32	0.99	1.43	1.97	2.59	3.29	4.07	4.93	2.09	1.24	1.62	1.51	1.07		69	38	
			38	0.78	1.17	1.65	2.20	2.83	3.53	4.30									
			43	0.62	0.97	1.39	1.89	2.45	3.09	3.79									
114X3252	OP-LPQM074FHP00G	G	27	1.18	1.66	2.23	2.89	3.63	4.46	5.36									
			32	0.98	1.44	1.97	2.58	3.27	4.03	4.88	2.25	1.15	1.63	1.66	0.98		69	38	
			38	0.76	1.17	1.65	2.21	2.83	3.53	4.29									
			43	0.57	0.95	1.40	1.90	2.47	3.10	3.80									
114X3241	OP-LPQM068NTP00G	G	27	1.33	1.79	2.35	2.99	3.73	4.55	5.44									
			32	1.19	1.61	2.11	2.69	3.36	4.10	4.91	2.18	1.23	1.83	1.73	1.06		70	39	
			38	1.02	1.39	1.83	2.34	2.92	3.56	4.27									
			43	0.87	1.20	1.59	2.04	2.55											
114X3249	OP-LPQM068NTP00E	E	27	1.36	1.86	2.44	3.11	3.85	4.67	5.56									
			32	1.17	1.63	2.16	2.77	3.45	4.20	5.02	2.13	1.30	1.85	1.61	1.14		70	39	
			38	0.97	1.37	1.85	2.39	2.99	3.66	4.39									
			43	0.81	1.18	1.60	2.08	2.62											
114X3357	OP-LPQM096NTP00E	E	27	1.66	2.31	3.13	4.14	5.33	6.74	8.35									
			32	1.43	2.03	2.78	3.70	4.81	6.11	7.60	2.72	1.36	2.28	1.99	1.15	1.52	72	41	
			38	1.15	1.68	2.34	3.17	4.16	5.33	6.69									
			43	0.91	1.38	1.98	2.72	3.61											
114X3365	OP-LPQM136NTP00E	E	27	2.53	3.45	4.56	5.85	7.35	9.03	10.91									
			32	2.20	3.04	4.06	5.25	6.62	8.17	9.90	4.23	1.24	3.44	3.13	1.10	1.59	73	42	
			38	1.81	2.56	3.47	4.53	5.75	7.14	8.69									
			43	1.49	2.17	2.98	3.93	5.03											
114X3476	OP-LPQM215LLP00E	E	27	4.00	5.08	6.39	7.93	9.72	11.76	14.07									
			32	3.68	4.69	5.89	7.31	8.96	10.84	12.96	5.00	1.46	5.31	4.26	1.25	1.71	78	47	
			38	3.27	4.19	5.27	6.54	8.01	9.69	11.60									
			43	2.92	3.75	4.73	5.87	7.19	8.70	10.42									
114X3482	OP-LPQM271LLP00E	E	27	5.43	6.82	8.47	10.38	12.57	15.04	17.79									
			32	4.95	6.24	7.75	9.50	11.49	13.74	16.24	6.79	1.40	7.11	5.79	1.23	1.81	78	47	
			38	4.34	5.50	6.85	8.39	10.14	12.12	14.33									
			43	3.78	4.84	6.04	7.41	8.97	10.72	12.68									

**LBP**
**(1) G** - Compressor 230V/1~/50Hz, fan 230V/1~/50Hz

**E** - Compressor 400V/3~/50Hz, fan 230V/1~/50Hz

**(2)** Nominal conditions, Saturated suction temperature -25°C. Ambient air temperature +32°C. Superheat 10K.

**(3)** Rated conditions, Saturated suction temperature -35°C. Ambient air temperature +32°C. Return Gas Temperature 20°C

SEPR, Seasonal Energy Performance Ratio

Q [kW], Cooling Capacity

P [kW], Power Input


 For more information related to EcoDesign compliance, please refer to Coolselector®  
[coolselector.danfoss.com](http://coolselector.danfoss.com) or contact Danfoss


Performance with SH=10K &amp; SC=0K

Code number	Model number	Electrical code	Tamb [°C]	Cooling capacity Q [kW]							P [kW]		EcoDesign (3)				Sound power level dB(A)	Sound pressure level 10 m dB(A)	
				Te [°C]							COP (2)	Q [kW]	P [kW]	COP <sub>A</sub>	SEPR				
				-40°C	-35°C	-30°C	-25°C	-20°C	-15°C	-10°C						-25°C			
114X3118	OP-LPQM017MPP00G	G	27	0.48	0.64	0.82	1.02	1.24	1.48										
			32	0.43	0.58	0.74	0.93	1.13	1.35	0.57	1.31	0.48	0.46	1.03		60	29		
			38	0.37	0.50	0.65	0.82	1.00	1.21										
			43	0.32	0.44	0.57	0.72	0.89	1.08										
114X3216	OP-LPQM026AJP00G	G	27	0.43	0.61	0.84	1.12	1.45	1.84	2.29									
			32	0.37	0.54	0.75	1.01	1.32	1.68	2.11	0.86	1.18	0.60	0.67	0.89		67	36	
			38	0.46	0.65	0.88	1.16	1.49	1.88										
			43	0.39	0.56	0.78	1.03	1.34	1.69										
114X3225	OP-LPQM048NTP00G	G	27	0.76	1.11	1.54	2.06	2.66	3.36	4.14									
			32	0.64	0.96	1.36	1.83	2.38	3.02	3.48	1.25	1.46	1.06	0.92	1.16		69	38	
			38	0.51	0.80	1.15	1.57	2.06	2.64	3.29									
			43	0.41	0.67	0.98	1.36	1.81	2.33	2.93									
114X3233	OP-LPQM048NTP00E	E	27	0.81	1.16	1.59	2.10	2.68	3.36	4.11									
			32	0.68	1.00	1.40	1.86	2.41	3.03	3.72	1.83	1.18	1.10	0.92	1.21		69	38	
			38	0.54	0.83	1.18	1.60	2.08	2.64	3.27									
			43																
114X3241	OP-LPQM068NTP00G	G	27	1.39	1.88	2.46	3.13	3.89	4.73	5.66									
			32	1.18	1.64	2.17	2.79	3.49	4.28	5.14	2.11	1.33	1.20	1.64	1.11		70	39	
			38	0.94	1.36	1.84	2.40	3.03	3.74	4.52									
			43	0.75	1.13	1.57	2.08	2.65	3.30	4.02									
114X3252	OP-LPQM074FHP00G	G	27	0.96	1.41	1.95	2.59	3.34	4.20	5.17									
			32	0.81	1.23	1.73	2.33	3.03	3.84	4.76	2.11	1.11	1.36	1.56	0.88		69	38	
			38	1.01	1.47	2.02	2.66	3.41	4.25										
			43	0.83	1.25	1.76	2.35	3.04	3.82										
114X3253	OP-LPQM074FHP00E	E	27	0.96	1.42	1.97	2.63	3.41	4.29	5.29									
			32	0.81	1.22	1.73	2.34	3.06	3.88	4.81	1.96	1.19	1.36	1.42	0.96		69	38	
			38	1.01	1.46	2.01	2.66	3.41	4.26										
			43	0.84	1.25	1.74	2.34	3.02	3.81										
114X3249	OP-LPQM068NTP00E	E	27	1.32	1.82	2.42	3.11	3.88	4.73	5.64									
			32	1.15	1.62	2.16	2.80	3.50	4.28	5.11	1.83	1.53	1.80	1.37	1.31		70	39	
			38	0.95	1.36	1.86	2.42	3.05	3.73	4.47									
			43	0.79	1.16	1.60	2.10	2.66	3.27	3.92									
114X3357	OP-LPQM096NTP00E	E	27	1.71	2.39	3.24	4.26	5.47	6.86	8.47									
			32	1.48	2.10	2.88	3.82	4.93	6.22	7.68	6.65	1.41	2.33	1.89	1.23	1.62	72	41	
			38	1.23	1.67	2.45	3.29	4.29	5.45	6.78									
			43	1.03	1.50	2.11	2.86	3.76	4.81	6.02									
114X3365	OP-LPQM136NTP00E	E	27	2.67	3.61	4.76	6.10	7.65	9.39	11.31									
			32	2.35	3.20	4.32	5.45	6.86	8.45	10.22	3.98	1.37	3.56	2.98	1.19	1.61	73	42	
			38	2.00	2.74	3.64	4.71	5.96	7.37	8.95									
			43	1.73	2.38	3.18	4.12	5.23	6.49	7.91									
114X3476	OP-LPQM215LLP00E	E	27	3.62	4.6	5.78	7.17	8.79	10.65	12.78									
			32	3.34	4.26	5.36	6.65	8.16	9.91	11.91	4.71	1.41	4.75	3.94	1.20	1.67	78	47	
			38	3.00	3.84	4.83	6.00	7.38	8.97	10.81									
			43	2.71	3.46	4.37	5.43	6.69	8.15	9.85									
114X3482	OP-LPQM271LLP00E	E	27	5.18	6.57	8.21	10.12	12.32	14.82	17.64									
			32	4.77	6.06	7.58	9.35	11.39	13.72	16.34	6.65	1.40	6.78	5.46	1.24	1.74	78	47	
			38	4.27	5.43	6.79	8.38	10.22	12.32	14.70									
			43	3.84	4.88	6.10	7.53	9.19	11.11	13.28									

**LBP**

(1) G - Compressor 230V/1~/50Hz, fan 230V/1~/50Hz

E - Compressor 400V/3~/50Hz, fan 230V/1~/50Hz

(2) Nominal conditions, Saturated suction temperature -25°C. Ambient air temperature +32°C. Superheat 10K.

(3) Rated conditions, Saturated suction temperature -35°C. Ambient air temperature +32°C. Return Gas Temperature 20°C

SEPR, Seasonal Energy Performance Ratio

Q [kW], Cooling Capacity

P [kW], Power Input


 For more information related to EcoDesign compliance, please refer to Coolselector®  
[coolselector.danfoss.com](http://coolselector.danfoss.com) or contact Danfoss


Performance with SH=10K &amp; SC=0K

Code number	Model number	Electrical code	Tamb [°C]	Cooling capacity Q [kW]							P [kW]		EcoDesign (3)				Sound power level dB(A)	Sound pressure level 10 m dB(A)
				Te [°C]							COP (2)	Q [kW]	P [kW]	COP <sub>A</sub>	SEPR			
				-15°C	-10°C	-5°C	0°C	5°C	10°C	15°C						-10°C		
114X4220	OP-MPGM033AJP00G	G	27	1.47	1.87	2.32	2.85	3.44	4.10	4.83								
			32	1.35	1.73	2.17	2.66	3.22	3.85	4.55	0.84	2.05	1.77	0.84	2.10	67	36	
			38	1.20	1.56	1.97	2.43	2.96	3.54	4.19								
			43	1.08	1.42	1.80	2.24	2.73	3.28	3.89								
114X4264	OP-MPXM034MLP00E	E	27	1.82	2.29	2.84	3.48	4.21	5.03	5.94								
			32	1.72	2.17	2.69	3.30	4.00	4.79	5.67	0.98	2.22	2.22	0.98	2.27	68	37	
			38	1.60	2.02	2.51	3.09	3.74	4.49	5.33								
			43	1.50	1.89	2.36	2.90	3.52	4.23	5.03								
114X4261	OP-MPXM034MLP00G	G	27	1.83	2.33	2.89	3.53	4.24	5.03	5.91								
			32	1.72	2.20	2.74	3.35	4.04	4.81	5.67	1.03	2.14	2.25	1.03	2.19	68	37	
			38	1.59	2.03	2.55	3.13	3.79	4.53	5.36								
			43	1.48	1.90	2.38	2.93	3.56	4.28	5.08								
114X4284	OP-MPXM046MLP00E	E	27	2.47	3.08	3.80	4.63	5.58	6.64	7.81								
			32	2.33	2.91	3.60	4.39	5.30	6.31	7.43	1.29	2.25	2.99	1.30	2.30	68	37	
			38	2.16	2.70	3.34	4.09	4.94	5.90	6.95								
			43	2.01	2.52	3.13	3.83	4.64	5.54	6.54								
114X4281	OP-MPXM046MLP00G	G	27	2.45	3.10	3.83	4.66	5.59	6.62	7.76								
			32	2.31	2.92	3.62	4.42	5.31	6.31	7.41	1.46	2.00	3.00	1.46	2.05	68	37	
			38	2.13	2.70	3.35	4.10	4.96	5.91	6.97								
			43	2.00	2.51	3.12	3.83	4.64	5.55	6.57								
114X4293	OP-MPXM057MLP00E	E	27	2.97	3.73	4.60	5.59	6.71	7.95	9.31								
			32	2.80	3.52	4.35	5.29	6.36	7.54	8.84	1.60	2.20	3.61	1.61	2.25	68	37	
			38	2.58	3.26	4.03	4.92	5.92	7.03	8.25								
			43	2.40	3.04	3.77	4.60	5.54	6.59	7.75								
114X4290	OP-MPXM057MLP00G	G	27	2.97	3.74	4.62	5.61	6.71	7.92	9.26								
			32	2.79	3.52	4.35	5.30	6.35	7.52	8.81	1.92	1.83	3.62	1.93	1.88	68	37	
			38	2.59	3.25	4.02	4.90	5.90	7.01	8.24								
			43	2.43	3.03	3.74	4.56	5.50	6.56	7.73								

**MBP**

(1) G - Compressor 230V/1~/50Hz, fan 230V/1~/50Hz

E - Compressor 400V/3~/50Hz, fan 230V/1~/50Hz

(2) Nominal conditions, Saturated suction temperature -10°C. Ambient air temperature +32°C. Superheat 10K.

(3) Rated conditions, Saturated suction temperature -10°C. Ambient air temperature +32°C. Return Gas Temperature 20°C

SEPR, Seasonal Energy Performance Ratio

Q [kW], Cooling Capacity

P [kW], Power Input

This table continues in the next page


 For more information related to EcoDesign compliance, please refer to Coolselector®  
[coolselector.danfoss.com](http://coolselector.danfoss.com) or contact Danfoss


Performance with SH=10K &amp; SC=0K

Code number	Model number	Electrical code	Tamb [°C]	Cooling capacity Q [kW]							P [kW]		EcoDesign (3)				Sound power level dB(A)	Sound pressure level 10 m dB(A)
				Te [°C]							COP (2)	Q [kW]	P [kW]	COP <sub>A</sub>	SEPR			
				-15°C	-10°C	-5°C	0°C	5°C	10°C	15°C						-10°C		
114X4311	OP-MPXM068MLP00E	E	27	3.69	4.63	5.74	7.02	8.47	10.10	11.92								
			32	3.48	4.38	5.44	6.66	8.05	9.61	11.36	1.89	2.31	4.49	1.90	2.37		69	38
			38	3.24	4.08	5.07	6.21	7.52	9.01	10.66								
			43	3.04	3.82	4.75	5.83	7.07	8.48	10.05								
114X4308	OP-MPXM068MLP00G	G	27	3.79	4.66	5.75	7.03	8.47	10.03	11.69								
			32	3.64	4.43	5.45	6.67	8.06	9.58	11.21	2.18	2.03	4.54	2.18	2.08		69	38
			38	3.48	4.15	5.07	6.21	7.53	9.00	10.59								
			43	3.36	3.92	4.75	5.82	7.07	8.49	10.03								
114X4324	OP-MPXM080MLP00E	E	27	4.28	5.39	6.67	8.13	9.78	11.63	13.67								
			32	4.03	5.09	6.31	7.70	9.28	11.05	13.00	2.30	2.21	5.22	2.31	2.26	3.43	69	38
			38	3.72	4.71	5.86	7.18	8.66	10.33	12.17								
			43	3.45	4.40	5.48	6.72	8.13	9.71	11.46								
114X4321	OP-MPXM080MLP00G	G	27	4.25	5.47	6.79	8.23	9.82	11.58	13.52								
			32	3.95	5.14	6.41	7.80	9.33	11.03	12.89	2.43	2.11	5.27	2.44	2.16	3.03	69	38
			38	3.57	4.70	5.93	7.25	8.72	10.33	12.11								
			43	3.23	4.33	5.50	6.78	8.18	9.72	11.43								
114X4344	OP-MPXM108MLP00E	E	27	5.56	6.93	8.55	10.38	12.42	14.65	17.06								
			32	5.22	6.52	8.06	9.81	11.75	13.89	16.19	2.91	2.24	6.71	2.92	2.30	3.58	75	44
			38	4.81	6.02	7.45	9.09	10.92	12.93	15.11								
			43	4.47	5.60	6.94	8.48	10.21	12.11	14.17								
114X4414	OP-MPXM125MLP00E	E	27	6.87	8.60	10.59	12.86	15.42	18.29	21.47								
			32	6.44	8.10	10.02	12.19	14.65	17.39	20.43	3.59	2.26	8.31	3.60	2.31	3.52	77	46
			38	5.91	7.49	9.30	11.36	13.68	16.28	19.16								
			43	5.46	6.97	8.69	10.65	12.86	15.33	18.07								
114X4434	OP-MPXM162MLP00E	E	27	8.70	10.88	13.39	16.23	19.42	22.94	26.82								
			32	8.17	10.25	12.64	15.35	18.40	21.78	25.51	4.67	2.20	10.52	4.68	2.25	3.46	77	46
			38	7.54	9.48	11.71	14.26	17.14	20.34	23.87								
			43	7.03	8.83	10.93	13.33	16.05	19.09	22.45								

**MBP**
**(1) G** - Compressor 230V/1~/50Hz, fan 230V/1~/50Hz

**E** - Compressor 400V/3~/50Hz, fan 230V/1~/50Hz

**(2)** Nominal conditions, Saturated suction temperature -10°C. Ambient air temperature +32°C. Superheat 10K.

**(3)** Rated conditions, Saturated suction temperature -10°C. Ambient air temperature +32°C. Return Gas Temperature 20°C

SEPR, Seasonal Energy Performance Ratio

Q [kW], Cooling Capacity

P [kW], Power Input


 For more information related to EcoDesign compliance, please refer to Coolselector®  
[coolselector.danfoss.com](http://coolselector.danfoss.com) or contact Danfoss


Performance with SH=10K & SC=0K

Code number	Model number	Electrical code	Tamb [°C]	Cooling capacity Q [kW]							P [kW]		EcoDesign (3)				Sound power level dB(A)	Sound pressure level 10 m dB(A)
				Te [°C]							COP (2)	Q [kW]	P [kW]	COP <sub>A</sub>	SEPR			
				-20°C	-15°C	-10°C	-5°C	0°C	5°C	10°C						-10°C		
114X4101	OP-MPHM007SCP00G	G	27	0.63	0.77	0.94	1.13	1.35										
			32	0.57	0.71	0.86	1.04	1.25	0.44	1.60	0.74	0.44	1.68	60	29			
			38	0.51	0.63	0.77	0.94	1.12										
			43	0.45	0.56	0.69	0.85	1.02										
114X4119	OP-MPYM008MYP00G	G	27	0.76	0.94	1.13	1.35	1.57										
			32	0.68	0.85	1.03	1.23	1.45	0.42	2.02	0.89	0.42	2.11	60	29			
			38	0.60	0.74	0.91	1.09	1.29										
			43	0.52	0.66	0.81	0.98	1.17										
114X4120	OP-MPYM009MYP00G	G	27	0.81	1.01	1.22	1.44	1.68										
			32	0.74	0.91	1.11	1.32	1.55	0.48	1.9	0.96	0.48	1.99	61	30			
			38	0.64	0.80	0.98	1.17	1.38										
			43	0.57	0.71	0.87	1.05	1.24										
114X4102	OP-MPHM010SCP00G	G	27	0.66	0.83	1.03	1.26	1.53	1.83									
			32	0.60	0.76	0.94	1.15	1.40	1.67	0.54	1.73	0.98	0.54	1.81	60	29		
			38	0.53	0.67	0.83	1.02	1.24	1.49									
			43	0.59	0.74	0.91	1.11											
114X4104	OP-MPHM012SCP00G	G	27	0.80	1.00	1.23	1.50	1.80	2.14									
			32	0.73	0.91	1.12	1.37	1.65	1.97	0.64	1.75	1.17	0.64	1.83	60	29		
			38	0.64	0.80	0.99	1.21	1.46	1.75									
			43	0.71	0.88	1.08	1.31											
114X4121	OP-MPYM012MPP00G	G	27	1.12	1.37	1.63	1.91	2.21										
			32	1.01	1.24	1.49	1.75	2.03	0.65	1.92	1.30	0.65	2.01	63	32			
			38	0.88	1.09	1.31	1.56	1.82										
			43	0.78	0.96	1.17	1.39	1.64										
114X4122	OP-MPYM014MPP00G	G	27	1.13	1.40	1.69	2.00	2.34										
			32	1.03	1.28	1.55	1.84	2.16	0.79	1.61	1.34	0.80	1.69	60	29			
			38	0.91	1.13	1.38	1.65	1.95										
			43	0.81	1.01	1.24	1.49	1.78										
114X4105	OP-MPHM015SCP00G	G	27	0.97	1.21	1.47	1.78	2.14	2.53									
			32	0.88	1.10	1.35	1.64	1.97	2.33	0.82	1.65	1.42	0.82	1.73	60	29		
			38	0.77	0.97	1.19	1.46	1.76	2.09									
			43	0.86	1.06	1.30	1.58											
114X4109	OP-MPHM018SCP00G	G	27	1.14	1.40	1.71	2.07	2.47	2.92									
			32	1.03	1.28	1.56	1.90	2.27	2.69	0.90	1.74	1.64	0.90	1.83	60	29		
			38	0.90	1.13	1.39	1.69	2.03	2.42									
			43	1.00	1.24	1.51	1.83											
114X4230	OP-MPYM018AJP00G	G	27	1.18	1.48	1.82	2.21	2.65	3.15	3.69								
			32	1.08	1.35	1.67	2.02	2.43	2.88	3.38	0.90	1.85	1.75	0.903	1.93	67	36	
			38			1.48	1.80	2.16	2.56	3.00								
			43			1.32	1.61	1.93	2.29	2.69								

**MBP**

(1) G - Compressor 230V/1~/50Hz, fan 230V/1~/50Hz

E - Compressor 400V/3~/50Hz, fan 230V/1~/50Hz

(2) Nominal conditions, Saturated suction temperature -10°C. Ambient air temperature +32°C. Superheat 10K.

(3) Rated conditions, Saturated suction temperature -10°C. Ambient air temperature +32°C. Return Gas Temperature 20°C

SEPR, Seasonal Energy Performance Ratio

Q [kW], Cooling Capacity

P [kW], Power Input

This table continues in the next page



For more information related to EcoDesign compliance, please refer to Coolselector® [coolselector.danfoss.com](http://coolselector.danfoss.com) or contact Danfoss



Performance with SH=10K &amp; SC=0K

Code number	Model number	Electrical code	Tamb [°C]	Cooling capacity Q [kW]							P [kW]	COP (2)	EcoDesign (3)				Sound power level dB(A)	Sound pressure level 10 m dB(A)	
				Te [°C]									Q [kW]	P [kW]	COP <sub>A</sub>	SEPR			
				-20°C	-15°C	-10°C	-5°C	0°C	5°C	10°C									
114X4200	OP-MPYM024AJP00G	G	27		1.82	2.29	2.82	3.42	4.08										
			32		1.64	2.07	2.56	3.11	3.72		1.04	1.98	2.17	1.05	2.07		67	36	
			38		1.42	1.80	2.24	2.74	3.29										
			43		1.23	1.59	1.98	2.43	2.93										
114X4212	OP-MPYM026AJP00G	G	27	1.63	2.04	2.52	3.06	3.67	4.36	5.10									
			32	1.46	1.84	2.29	2.79	3.35	3.98	4.68	1.17	1.95	2.40	1.17	2.05		67	36	
			38	1.26	1.61	2.01	2.46	2.97	3.53	4.16									
			43	1.41	1.78	2.18	2.64	3.16	3.73										
114X4213	OP-MPYM026AJP00E	E	27	1.60	2.03	2.52	3.08	3.70	4.39	5.14									
			32	1.42	1.82	2.28	2.80	3.38	4.02	4.72	1.23	1.86	2.40	1.23	1.95		67	36	
			38	1.20	1.58	2.00	2.47	2.99	3.56	4.20									
			43	1.37	1.75	2.18	2.66	3.18	3.76										
114X4227	OP-MPYM034AJP00E	E	27	2.02	2.53	3.10	3.75	4.46	5.24	6.09									
			32	1.81	2.29	2.82	3.42	4.08	4.80	5.58	1.57	1.80	2.97	1.57	1.89		67	36	
			38	1.56	2.00	2.48	3.02	3.62	4.26	4.97									
			43	1.75	2.20	2.69	3.23	3.82	4.46										
114X4226	OP-MPYM034AJP00G	G	27	2.02	2.55	3.15	3.82	4.56	5.38	6.26									
			32	1.80	2.30	2.86	3.48	4.17	4.92	5.73	1.65	1.74	3.01	1.65	1.82		67	36	
			38	1.54	2.00	2.51	3.06	3.68	4.35	5.09									
			43	1.75	2.21	2.72	3.27	3.88	4.54										
114X4264	OP-MPXM034MLP00E	E	27	2.50	3.08	3.73	4.46	5.27	6.16	7.12									
			32	2.25	2.79	3.40	4.07	4.82	5.64	6.53	1.68	2.02	3.58	1.69	2.11		68	37	
			38	1.93	2.42	2.97	3.58	4.26	5.00	5.81									
			43	1.63	2.09	2.60	3.16	3.77	4.45	5.20									
114X4261	OP-MPXM034MLP00G	G	27	2.59	3.15	3.78	4.50	5.29	6.16	7.12									
			32	2.37	2.89	3.48	4.14	4.88	5.70	6.61	1.75	1.99	3.67	1.76	2.08		68	37	
			38	2.10	2.57	3.10	3.71	4.38	5.14	5.98									
			43	1.87	2.29	2.78	3.33	3.96	4.66	5.45									
114X4284	OP-MPXM046MLP00E	E	27	3.40	4.12	4.93	5.82	6.81	7.91	9.10									
			32	3.11	3.77	4.51	5.34	6.26	7.27	8.39	2.32	1.94	4.78	2.35	2.03		68	37	
			38	2.73	3.33	3.99	4.73	5.56	6.48	7.51									
			43	2.39	2.93	3.53	4.20	4.95	5.80	6.75									
114X4281	OP-MPXM046MLP00G	G	27	3.45	4.18	5.00	5.92	6.92	8.02	9.20									
			32	3.15	3.82	4.58	5.42	6.35	7.37	8.48	2.41	1.90	4.85	2.44	1.99		68	37	
			38	2.76	3.36	4.04	4.80	5.64	6.57	7.59									
			43	2.42	2.96	3.57	4.26	5.02	5.87	6.82									

**MBP**

(1) G - Compressor 230V/1~/50Hz, fan 230V/1~/50Hz

E - Compressor 400V/3~/50Hz, fan 230V/1~/50Hz

(2) Nominal conditions, Saturated suction temperature -10°C. Ambient air temperature +32°C. Superheat 10K.

(3) Rated conditions, Saturated suction temperature -10°C. Ambient air temperature +32°C. Return Gas Temperature 20°C

SEPR, Seasonal Energy Performance Ratio

Q [kW], Cooling Capacity

P [kW], Power Input

This table continues in the next page


 For more information related to EcoDesign compliance, please refer to Coolselector®  
[coolselector.danfoss.com](http://coolselector.danfoss.com) or contact Danfoss


Performance with SH=10K &amp; SC=0K

Code number	Model number	Electrical code	T <sub>amb</sub> [°C]	Cooling capacity Q [kW]							P [kW]		EcoDesign (3)				Sound power level dB(A)	Sound pressure level 10 m dB(A)	
				T <sub>e</sub> [°C]							COP (2)	Q [kW]	P [kW]	COP <sub>A</sub>	SEPR				
				-20°C	-15°C	-10°C	-5°C	0°C	5°C	10°C						-10°C			
114X4290	OP-MPXM057MLP00G	G	27	3.97	4.81	5.74	6.78	7.91	9.14	10.47									
			32	3.62	4.38	5.24	6.19	7.23	8.37	9.61	3.24	1.62	5.57	3.29	1.69	2.90	68	37	
			38	3.18	3.86	4.61	5.46	6.40	7.42	8.55									
			43	2.79	3.40	4.07	4.83	5.67	6.61	7.65									
114X4293	OP-MPXM057MLP00E	E	27	3.98	4.81	5.75	6.79	7.93	9.16	10.49									
			32	3.63	4.39	5.25	6.20	7.25	8.40	9.64	3.12	1.68	5.58	3.16	1.76	3.01	68	37	
			38	3.19	3.87	4.63	5.48	6.42	7.45	8.59									
			43	2.81	3.41	4.09	4.86	5.70	6.65	7.69									
114X4308	OP-MPXM068MLP00G	G	27	5.27	6.45	7.79	9.30	11.00	12.88	14.94									
			32	4.83	5.93	7.18	8.59	10.18	11.95	13.90	3.33	2.16	7.57	3.35	2.26	3.66	69	38	
			38	4.28	5.28	6.42	7.71	9.17	10.79	12.61									
			43	3.81	4.71	5.76	6.94	8.28	9.80	11.49									
114X4311	OP-MPXM068MLP00E	E	27	5.27	6.44	7.78	9.30	11.00	12.88	14.95									
			32	4.83	5.93	7.18	8.59	10.18	11.95	13.91	3.25	2.20	7.57	3.28	2.31	3.73	69	38	
			38	4.28	5.28	6.42	7.71	9.17	10.80	12.62									
			43	3.81	4.72	5.76	6.95	8.29	9.81	11.51									
114X4321	OP-MPXM080MLP00G	G	27	6.07	7.47	9.04	10.77	12.63	14.63	16.73									
			32	5.50	6.81	8.27	9.89	11.65	13.54	15.54	4.00	2.07	8.74	4.03	2.17	3.33	69	38	
			38	4.83	5.99	7.32	8.80	10.42	12.16	14.04									
			43	4.27	5.31	6.51	7.86	9.35	10.98	12.74									
114X4324	OP-MPXM080MLP00E	E	27	6.24	7.57	9.08	10.78	12.66	14.73	16.97									
			32	5.71	6.95	8.35	9.93	11.68	13.61	15.72	3.82	2.19	8.82	3.86	2.29	3.71	69	38	
			38	5.03	6.15	7.41	8.84	10.43	12.20	14.14									
			43	4.42	5.43	6.58	7.88	9.34	10.96	12.75									
114X4344	OP-MPXM108MLP00E	E	27	7.86	9.49	11.30	13.31	15.52	17.94	20.58									
			32	7.15	8.65	10.32	12.17	14.21	16.46	18.93	5.41	1.91	10.94	5.48	2.00	3.31	75	44	
			38	6.25	7.60	9.09	10.74	12.58	14.62	16.89									
			43	5.46	6.67	8.01	9.50	11.17	13.04	15.14									
114X4414	OP-MPXM125MLP00E	E	27	9.41	11.58	14.00	16.68	19.61	22.80	26.23									
			32	8.51	10.55	12.82	15.33	18.07	21.07	24.31	6.16	2.08	13.54	6.21	2.18	3.48	77	46	
			38	7.39	9.26	11.33	13.63	16.15	18.91	21.91									
			43	6.40	8.13	10.03	12.15	14.47	17.03	19.84									
114X4434	OP-MPXM162MLP00E	E	27	12.52	15.01	17.72	20.69	23.93	27.47	31.32									
			32	11.40	13.62	16.03	18.68	21.59	24.80	28.32	8.42	1.90	16.98	8.52	1.99	3.23	77	46	
			38	10.03	11.88	13.91	16.16	18.66	21.46	24.59									
			43	8.88	10.40	12.08	13.98	16.13	18.58	21.37									

**MBP**
**(1) G** - Compressor 230V/1~/50Hz, fan 230V/1~/50Hz

**E** - Compressor 400V/3~/50Hz, fan 230V/1~/50Hz

**(2)** Nominal conditions, Saturated suction temperature -10°C. Ambient air temperature +32°C. Superheat 10K.

**(3)** Rated conditions, Saturated suction temperature -10°C. Ambient air temperature +32°C. Return Gas Temperature 20°C

SEPR, Seasonal Energy Performance Ratio

Q [kW], Cooling Capacity

P [kW], Power Input


 For more information related to EcoDesign compliance, please refer to Coolselector®  
[coolselector.danfoss.com](http://coolselector.danfoss.com) or contact Danfoss


Performance with SH=10K &amp; SC=0K

Code number	Model number	Electrical code	T <sub>amb</sub> [°C]	Cooling capacity Q [kW]							P [kW]		EcoDesign (3)				Sound power level dB(A)	Sound pressure level 10 m dB(A)	
				T <sub>e</sub> [°C]							COP (2)	Q [kW]	P [kW]	COP <sub>A</sub>	SEPR				
				-20°C	-15°C	-10°C	-5°C	0°C	5°C	10°C						-10°C			
114X4119	OP-MPYM008MYP00G	G	27	0.63	0.82	1.03	1.24	1.47											
			32	0.57	0.75	0.94	1.14	1.35		0.39	1.91	0.76	0.39	1.93		60	29		
			38	0.50	0.66	0.83	1.02	1.21											
			43	0.45	0.59	0.74	0.91	1.10											
114X4120	OP-MPYM009MYP00G	G	27	0.67	0.88	1.10	1.33	1.57											
			32	0.61	0.80	1.00	1.22	1.44		0.43	1.86	0.81	0.43	1.89		61	30		
			38	0.54	0.71	0.89	1.09	1.29											
			43	0.48	0.64	0.80	0.98	1.16											
114X4121	OP-MPYM012MPP00G	G	27	0.93	1.20	1.48	1.77	2.07											
			32	0.85	1.10	1.35	1.62	1.90		0.59	1.86	1.11	0.59	1.89		63	32		
			38	0.75	0.97	1.20	1.45	1.71											
			43	0.67	0.87	1.08	1.30	1.54											
114X4122	OP-MPYM014MPP00G	G	27	0.98	1.25	1.54	1.86	2.19											
			32	0.90	1.15	1.42	1.72	2.03		0.73	1.57	1.17	0.73	1.60		60	29		
			38	0.80	1.02	1.27	1.54	1.84											
			43	0.72	0.92	1.15	1.40	1.68											
114X4230	OP-MPYM018AJP00G	G	27	0.93	1.24	1.60	2.03	2.54	3.13	3.81									
			32	0.86	1.14	1.47	1.88	2.35	2.90	3.55	0.78	1.89	1.50	0.78	1.92		67	36	
			38	1.02	1.33	1.69	2.13	2.64	3.23										
			43	0.92	1.20	1.54	1.94	2.42	2.97										
114X4200	OP-MPYM024AJP00G	G	27	1.16	1.56	2.03	2.59	3.24	3.99	4.84									
			32	1.04	1.41	1.86	2.38	2.98	3.68	4.48	0.90	2.06	1.89	0.90	2.09		67	36	
			38	1.25	1.65	2.13	2.68	3.32	4.05										
			43	1.11	1.48	1.92	2.43	3.03	3.71										
114X4212	OP-MPYM026AJP00G	G	27	1.33	1.74	2.24	2.82	3.49	4.27	5.15									
			32	1.21	1.60	2.06	2.60	3.23	3.95	4.78	1.01	2.04	2.09	1.01	2.08		67	36	
			38	1.42	1.84	2.34	2.91	3.58	4.35										
			43	1.28	1.67	2.12	2.66	3.28	3.99										
114X4213	OP-MPYM026AJP00E	E	27	1.30	1.74	2.24	2.83	3.52	4.30	5.19									
			32	1.17	1.58	2.06	2.61	3.25	3.99	4.83	1.06	1.95	2.09	1.06	1.98		67	36	
			38	1.39	1.83	2.34	2.94	3.62	4.40										
			43	1.24	1.65	2.12	2.67	3.31	4.04										

**MBP**

(1) G - Compressor 230V/1~/50Hz, fan 230V/1~/50Hz

E - Compressor 400V/3~/50Hz, fan 230V/1~/50Hz

(2) Nominal conditions, Saturated suction temperature -10°C. Ambient air temperature +32°C. Superheat 10K.

(3) Rated conditions, Saturated suction temperature -10°C. Ambient air temperature +32°C. Return Gas Temperature 20°C

SEPR, Seasonal Energy Performance Ratio

Q [kW], Cooling Capacity

P [kW], Power Input

This table continues in the next page


 For more information related to EcoDesign compliance, please refer to Coolselector®  
[coolselector.danfoss.com](http://coolselector.danfoss.com) or contact Danfoss


Performance with SH=10K &amp; SC=0K

Code number	Model number	Electrical code	Tamb [°C]	Cooling capacity Q [kW]							P [kW]		EcoDesign (3)				Sound power level dB(A)	Sound pressure level 10 m dB(A)	
				Te [°C]							COP (2)	Q [kW]	P [kW]	COP <sub>A</sub>	SEPR				
				-20°C	-15°C	-10°C	-5°C	0°C	5°C	10°C						-10°C			
114X4227	OP-MPYM034AJP00E	E	27	1.66	2.18	2.78	3.47	4.27	5.18	6.19									
			32	1.51	2.00	2.56	3.21	3.96	4.81	5.77	1.34	1.90	2.61	1.35	1.94		67	36	
			38		1.78	2.30	2.90	3.59	4.38	5.26									
			43		1.60	2.09	2.64	3.29	4.02	4.85									
114X4226	OP-MPYM034AJP00G	G	27	1.66	2.20	2.82	3.55	4.38	5.32	6.38									
			32	1.51	2.01	2.60	3.27	4.05	4.94	5.93	1.41	1.84	2.64	1.41	1.87		67	36	
			38		1.79	2.33	2.95	3.66	4.48	5.40									
			43		1.60	2.10	2.67	3.34	4.09	4.95									
114X4264	OP-MPXM034MLP00E	E	27	2.38	2.95	3.61	4.36	5.21	6.16	7.21									
			32	2.20	2.74	3.37	4.08	4.88	5.78	6.78	1.63	2.07	3.43	1.63	2.10		68	37	
			38	1.97	2.48	3.05	3.71	4.46	5.30	6.24									
			43		2.24	2.78	3.39	4.09	4.88	5.77									
114X4261	OP-MPXM034MLP00G	G	27	2.37	2.94	3.61	4.37	5.22	6.17	7.22									
			32	2.20	2.75	3.37	4.09	4.89	5.80	6.80	1.59	2.13	3.44	1.59	2.16		68	37	
			38	2.00	2.50	3.08	3.74	4.49	5.33	6.26									
			43		2.29	2.83	3.44	4.14	4.93	5.81									
114X4284	OP-MPXM046MLP00E	E	27	3.15	3.90	4.74	5.70	6.76	7.93	9.22									
			32	2.90	3.60	4.40	5.29	6.29	7.40	8.61	2.26	1.95	4.49	2.27	1.98		68	37	
			38	2.59	3.23	3.96	4.79	5.71	6.73	7.86									
			43		2.92	3.59	4.35	5.20	6.15	7.21									
114X4281	OP-MPXM046MLP00G	G	27	3.15	3.91	4.76	5.73	6.81	8.01	9.32									
			32	2.92	3.63	4.43	5.34	6.36	7.49	8.73	2.37	1.87	4.53	2.38	1.90		68	37	
			38	2.64	3.28	4.02	4.85	5.79	6.84	8.00									
			43		2.99	3.66	4.43	5.30	6.28	7.37									
114X4293	OP-MPXM057MLP00E	E	27	3.77	4.67	5.67	6.77	7.98	9.30	10.71									
			32	3.43	4.27	5.21	6.25	7.38	8.61	9.95	2.97	1.75	5.34	2.99	1.78	3.07	68	37	
			38	3.00	3.78	4.64	5.59	6.63	7.76	8.99									
			43		3.35	4.14	5.01	5.97	7.02	8.16									
114X4290	OP-MPXM057MLP00G	G	27	3.82	4.71	5.72	6.84	8.07	9.41	10.87									
			32	3.52	4.35	5.28	6.32	7.47	8.72	10.08	3.12	1.69	5.41	3.14	1.72	2.86	68	37	
			38	3.14	3.88	4.72	5.66	6.71	7.85	9.10									
			43		3.49	4.24	5.09	6.04	7.09	8.25									

**MBP**
**(1) G** - Compressor 230V/1~/50Hz, fan 230V/1~/50Hz

**E** - Compressor 400V/3~/50Hz, fan 230V/1~/50Hz

**(2)** Nominal conditions, Saturated suction temperature -10°C. Ambient air temperature +32°C. Superheat 10K.

**(3)** Rated conditions, Saturated suction temperature -10°C. Ambient air temperature +32°C. Return Gas Temperature 20°C

SEPR, Seasonal Energy Performance Ratio

Q [kW], Cooling Capacity

P [kW], Power Input

This table continues in the next page


 For more information related to EcoDesign compliance, please refer to Coolselector®  
[coolselector.danfoss.com](http://coolselector.danfoss.com) or contact Danfoss


Performance with SH=10K &amp; SC=0K

Code number	Model number	Electrical code	Tamb [°C]	Cooling capacity Q [kW]							P [kW]		EcoDesign (3)				Sound power level dB(A)	Sound pressure level 10 m dB(A)
				Te [°C]							COP (2)	Q [kW]	P [kW]	COP <sub>A</sub>	SEPR			
				-20°C	-15°C	-10°C	-5°C	0°C	5°C	10°C						-10°C		
114X4308	OP-MPXM068MLP00G	G	27	4.88	6.06	7.41	8.94	10.67	12.60	14.75								
			32	4.52	5.63	6.90	8.36	9.99	11.83	13.87	3.16	2.19	7.04	3.17	2.22	3.45	69	38
			38	4.07	5.10	6.28	7.62	9.15	10.87	12.78								
			43		4.64	5.74	6.99	8.42	10.03	11.84								
114X4311	OP-MPXM068MLP00E	E	27	4.93	6.10	7.44	8.96	10.68	12.61	14.75								
			32	4.56	5.66	6.93	8.37	10.00	11.84	13.87	3.03	2.29	7.06	3.03	2.33	3.63	69	38
			38	4.09	5.11	6.28	7.62	9.14	10.86	12.77								
			43		4.63	5.72	6.97	8.39	10.00	11.80								
114X4321	OP-MPXM080MLP00G	G	27	5.64	6.98	8.49	10.19	12.10	14.21	16.51								
			32	5.26	6.52	7.94	9.55	11.34	13.33	15.51	3.82	2.08	8.11	3.84	2.11	3.22	69	38
			38	4.78	5.94	7.26	8.73	10.39	12.22	14.25								
			43		5.44	6.65	8.02	9.56	11.27	13.16								
114X4324	OP-MPXM080MLP00E	E	27	5.75	7.09	8.61	10.34	12.27	14.41	16.77								
			32	5.32	6.58	8.01	9.64	11.46	13.49	15.72	3.56	2.25	8.18	3.57	2.29	3.68	69	38
			38	4.77	5.94	7.26	8.76	10.45	12.33	14.42								
			43		5.38	6.61	8.00	9.57	11.34	13.30								
114X4344	OP-MPXM108MLP00E	E	27	7.34	9.05	10.98	13.14	15.53	18.15	20.99								
			32	6.76	8.36	10.17	12.19	14.43	16.89	19.57	5.27	1.93	10.40	5.30	1.96	3.31	75	44
			38	6.03	7.50	9.15	10.99	13.05	15.32	17.80								
			43		6.75	8.26	9.96	11.85	13.96	16.28								
114X4414	OP-MPXM125MLP00E	E	27	8.92	11.03	13.43	16.15	19.21	22.60	26.32								
			32	8.27	10.25	12.51	15.07	17.95	21.16	24.69	5.59	2.24	12.77	5.61	2.28	3.63	77	46
			38	7.46	9.28	11.35	13.72	16.38	19.35	22.65								
			43		8.43	10.35	12.53	15.01	17.79	20.88								
114X4434	OP-MPXM162MLP00E	E	27	10.56	13.19	16.18	19.55	23.29	27.40	31.89								
			32	9.63	12.11	14.92	18.08	21.61	25.50	29.76	7.95	1.88	15.26	7.99	1.91	3.13	77	46
			38	8.47	10.75	13.33	16.24	19.50	23.12	27.09								
			43		9.56	11.94	14.64	17.67	21.04	24.77								

**MBP**
**(1) G** - Compressor 230V/1~/50Hz, fan 230V/1~/50Hz

**E** - Compressor 400V/3~/50Hz, fan 230V/1~/50Hz

**(2)** Nominal conditions, Saturated suction temperature -10°C. Ambient air temperature +32°C. Superheat 10K.

**(3)** Rated conditions, Saturated suction temperature -10°C. Ambient air temperature +32°C. Return Gas Temperature 20°C

SEPR, Seasonal Energy Performance Ratio

Q [kW], Cooling Capacity

P [kW], Power Input


 For more information related to EcoDesign compliance, please refer to Coolselector®  
[coolselector.danfoss.com](http://coolselector.danfoss.com) or contact Danfoss


Performance with SH=10K &amp; SC=0K

Code number	Model number	Electrical code	Tamb [°C]	Cooling capacity Q [kW]							P [kW]		EcoDesign (3)				Sound power level dB(A)	Sound pressure level 10 m dB(A)
				Te [°C]							COP (2)	Q [kW]	P [kW]	COP <sub>A</sub>	SEPR			
				-20°C	-15°C	-10°C	-5°C	0°C	5°C	10°C						-10°C		
114X4264	OP-MPX034MLP00E	E	27	2.38	2.96	3.62	4.37	5.22	6.16	7.21								
			32	2.21	2.75	3.37	4.08	4.88	5.78	6.78	1.63	2.07	3.43	1.63	2.10		68	37
			38	1.98	2.48	3.06	3.72	4.46	5.30	6.24								
			43		2.25	2.78	3.40	4.10	4.89	5.77								
114X4261	OP-MPX034MLP00G	G	27	2.37	2.95	3.61	4.37	5.22	6.17	7.22								
			32	2.21	2.75	3.38	4.09	4.90	5.80	6.80	1.59	2.13	3.44	1.59	2.16		68	37
			38	2.00	2.51	3.09	3.74	4.49	5.33	6.26								
			43		2.30	2.83	3.45	4.14	4.93	5.81								
114X4284	OP-MPX046MLP00E	E	27	3.16	3.90	4.75	5.70	6.77	7.94	9.22								
			32	2.91	3.61	4.40	5.30	6.30	7.40	8.61	2.26	1.95	4.49	2.27	1.98		68	37
			38	2.60	3.24	3.97	4.79	5.71	6.73	7.86								
			43		2.92	3.59	4.35	5.20	6.15	7.21								
114X4281	OP-MPX046MLP00G	G	27	3.16	3.91	4.77	5.74	6.82	8.01	9.32								
			32	2.93	3.63	4.44	5.34	6.36	7.49	8.73	2.37	1.87	4.53	2.38	1.90		68	37
			38	2.64	3.29	4.02	4.86	5.80	6.84	8.00								
			43		3.00	3.67	4.44	5.31	6.28	7.37								
114X4293	OP-MPX057MLP00E	E	27	3.77	4.67	5.68	6.78	7.99	9.30	10.71								
			32	3.44	4.28	5.22	6.25	7.39	8.62	9.95	2.97	1.76	5.34	2.99	1.78	3.07	68	37
			38	3.01	3.79	4.65	5.59	6.63	7.76	8.99								
			43		3.36	4.15	5.02	5.98	7.02	8.16								
114X4290	OP-MPX057MLP00G	G	27	3.83	4.72	5.72	6.84	8.08	9.42	10.87								
			32	3.53	4.35	5.29	6.33	7.47	8.73	10.08	3.12	1.69	5.41	3.14	1.72	2.86	68	37
			38	3.15	3.89	4.73	5.67	6.71	7.86	9.10								
			43		3.49	4.25	5.10	6.05	7.10	8.25								
114X4308	OP-MPX068MLP00G	G	27	4.89	6.07	7.42	8.95	10.68	12.61	14.75								
			32	4.53	5.64	6.91	8.36	10.00	11.84	13.87	3.16	2.19	7.04	3.17	2.22	3.45	69	38
			38	4.08	5.11	6.29	7.63	9.16	10.87	12.78								
			43		4.65	5.75	7.00	8.43	10.04	11.84								
114X4311	OP-MPX068MLP00E	E	27	4.94	6.11	7.45	8.97	10.69	12.62	14.75								
			32	4.57	5.67	6.94	8.38	10.01	11.84	13.87	3.03	2.29	7.06	3.03	2.33	3.63	69	38
			38	4.10	5.12	6.29	7.63	9.15	10.86	12.77								
			43		4.64	5.73	6.98	8.40	10.00	11.80								
114X4321	OP-MPX080MLP00G	G	27	5.65	6.99	8.50	10.21	12.11	14.21	16.51								
			32	5.27	6.53	7.96	9.56	11.35	13.33	15.51	3.82	2.08	8.11	3.84	2.11	3.22	69	38
			38	4.79	5.95	7.27	8.74	10.40	12.23	14.25								
			43		5.45	6.67	8.03	9.56	11.27	13.16								
114X4324	OP-MPX080MLP00E	E	27	5.77	7.10	8.63	10.35	12.28	14.42	16.77								
			32	5.33	6.59	8.02	9.65	11.47	13.49	15.72	3.56	2.26	8.18	3.57	2.29	3.68	69	38
			38	4.79	5.95	7.27	8.77	10.46	12.34	14.42								
			43		5.40	6.62	8.01	9.58	11.34	13.30								
114X4344	OP-MPX108MLP00E	E	27	7.36	9.07	11.00	13.15	15.54	18.16	20.99								
			32	6.77	8.38	10.18	12.20	14.44	16.90	19.57	5.27	1.93	10.40	5.30	1.96	3.31	75	44
			38	6.05	7.51	9.16	11.01	13.06	15.33	17.80								
			43		6.76	8.27	9.97	11.87	13.96	16.28								
114X4414	OP-MPX125MLP00E	E	27	8.94	11.05	13.45	16.17	19.22	22.61	26.32								
			32	8.29	10.27	12.53	15.09	17.97	21.17	24.69	5.59	2.24	12.77	5.61	2.28	3.63	77	46
			38	7.48	9.30	11.37	13.73	16.39	19.36	22.65								
			43		8.45	10.37	12.55	15.02	17.79	20.88								
114X4434	OP-MPX162MLP00E	E	27	10.58	13.22	16.21	19.57	23.30	27.41	31.89								
			32	9.65	12.13	14.94	18.10	21.63	25.51	29.76	7.95	1.88	15.26	7.99	1.91	3.13	77	46
			38	8.50	10.77	13.35	16.26	19.52	23.13	27.09								
			43		9.59	11.97	14.66	17.68	21.05	24.77								

**MBP**
**(1) G** - Compressor 230V/1~/50Hz, fan 230V/1~/50Hz

**E** - Compressor 400V/3~/50Hz, fan 230V/1~/50Hz

**(2)** Nominal conditions, Saturated suction temperature -10°C. Ambient air temperature +32°C. Superheat 10K.

**(3)** Rated conditions, Saturated suction temperature -10°C. Ambient air temperature +32°C. Return Gas Temperature 20°C

 SEPR, Seasonal Energy Performance Ratio  
 Q [kW], Cooling Capacity  
 P [kW], Power Input

 For more information related to EcoDesign compliance, please refer to Coolselector®  
[coolselector.danfoss.com](http://coolselector.danfoss.com) or contact Danfoss


Performance with SH=10K &amp; SC=0K

Code number	Model number	Electrical code	Tamb [°C]	Cooling capacity Q [kW]								P [kW]	EcoDesign (3)				Sound power level dB(A)	Sound pressure level 10 m dB(A)	
				Te [°C]									COP (2)	Q [kW]	P [kW]	COP <sub>A</sub>			SEPR
				-20°C	-15°C	-10°C	-5°C	0°C	5°C	10°C	-10°C								
114X4264	OP-MPXM034MLP00E	E	27	2.31	2.89	3.57	4.35	5.25	6.27	7.40									
			32	2.12	2.67	3.31	4.06	4.91	5.87	6.95	1.52	2.18	3.37	1.52	2.22		68	37	
			38	1.89	2.40	2.99	3.68	4.47	5.38	6.39									
			43		2.16	2.71	3.35	4.10											
114X4261	OP-MPXM034MLP00G	G	27	2.34	2.92	3.61	4.41	5.31	6.34	7.48									
			32	2.15	2.70	3.35	4.10	4.97	5.94	7.03	1.54	2.17	3.42	1.55	2.21		68	37	
			38	1.92	2.42	3.02	3.72	4.53	5.44	6.46									
			43		2.18	2.74	3.39	4.14											
114X4284	OP-MPXM046MLP00E	E	27	2.87	3.60	4.42	5.34	6.36	7.48	8.69									
			32	2.63	3.32	4.09	4.96	5.92	6.97	8.10	2.33	1.75	4.19	2.35	1.78		68	37	
			38	2.34	2.96	3.68	4.47	5.36	6.33	7.37									
			43		2.66	3.32	4.05	4.87											
114X4281	OP-MPXM046MLP00G	G	27	2.92	3.66	4.49	5.42	6.46	7.59	8.81									
			32	2.68	3.37	4.16	5.03	6.00	7.07	8.22	2.38	1.74	4.25	2.40	1.77		68	37	
			38	2.37	3.01	3.73	4.54	5.43	6.41	7.47									
			43		2.70	3.36	4.11	4.94											
114X4293	OP-MPXM057MLP00E	E	27	3.55	4.44	5.44	6.57	7.83	9.19	10.67									
			32	3.25	4.09	5.04	6.10	7.28	8.56	9.95	2.82	1.79	5.16	2.83	1.82	2.95	68	37	
			38	2.88	3.65	4.53	5.50	6.58	7.77	9.04									
			43		3.27	4.08	4.98	5.98											
114X4290	OP-MPXM057MLP00G	G	27	3.61	4.51	5.53	6.68	7.94	9.33	10.82									
			32	3.30	4.16	5.12	6.19	7.38	8.68	10.08	2.86	1.79	5.24	2.88	1.82	2.95	68	37	
			38	2.93	3.71	4.60	5.59	6.68	7.87	9.16									
			43		3.32	4.14	5.05	6.06											
114X4308	OP-MPXM068MLP00G	G	27	4.60	5.67	6.93	8.39	10.03	11.87	13.91									
			32	4.31	5.30	6.47	7.83	9.37	11.11	13.03	3.19	2.03	6.61	3.20	2.07	3.31	68	37	
			38	3.97	4.86	5.92	7.15	8.57	10.17	11.96									
			43		4.50	5.46	6.59	7.90											
114X4311	OP-MPXM068MLP00E	E	27	4.64	5.72	6.99	8.45	10.11	11.96	14.01									
			32	4.34	5.34	6.52	7.89	9.45	11.19	13.13	3.06	2.13	6.66	3.07	2.17	3.47	68	37	
			38	4.00	4.90	5.97	7.22	8.65	10.26	12.06									
			43		4.54	5.51	6.66	7.98											
114X4321	OP-MPXM080MLP00G	G	27	5.38	6.66	8.16	9.90	11.89	14.12	16.60									
			32	5.04	6.22	7.62	9.25	11.12	13.22	15.56	3.68	2.07	7.77	3.69	2.11	3.40	68	37	
			38	4.65	5.71	6.98	8.47	10.18	12.13	14.31									
			43		5.29	6.45	7.81	9.40											
114X4324	OP-MPXM080MLP00E	E	27	5.44	6.73	8.25	10.01	12.02	14.27	16.77									
			32	5.10	6.29	7.71	9.36	11.24	13.37	15.74	3.42	2.25	7.86	3.43	2.29	3.68	68	37	
			38	4.70	5.78	7.06	8.57	10.31	12.28	14.48									
			43		5.36	6.53	7.91	9.52											
114X4344	OP-MPXM108MLP00E	E	27	6.94	8.71	10.74	13.02	15.56	18.37	21.42									
			32	6.27	7.95	9.86	12.02	14.42	17.08	19.97	5.18	1.90	10.08	5.21	1.94	3.19	68	37	
			38	5.44	7.00	8.78	10.78	13.02	15.49	18.19									
			43		6.19	7.84	9.71	11.81											
114X4414	OP-MPXM125MLP00E	E	27	8.30	10.39	12.78	15.50	18.55	21.93	25.65									
			32	7.64	9.61	11.87	14.43	17.30	20.49	24.00	5.67	2.09	12.11	5.69	2.13	3.37	68	37	
			38	6.82	8.65	10.74	13.10	15.76	18.72	21.97									
			43		7.82	9.76	11.96	14.44											
114X4434	OP-MPXM162MLP00E	E	27	10.16	12.83	15.87	19.29	23.09	27.26	31.79									
			32	9.17	11.70	14.57	17.80	21.39	25.33	29.62	7.81	1.87	14.89	7.85	1.90	3.11	68	37	
			38	7.96	10.30	12.96	15.95	19.28	22.94	26.94									
			43		9.09	11.57	14.36	17.46											

**MBP**

(1) G - Compressor 230V/1~/50Hz, fan 230V/1~/50Hz

E - Compressor 400V/3~/50Hz, fan 230V/1~/50Hz

(2) Nominal conditions, Saturated suction temperature -10°C. Ambient air temperature +32°C. Superheat 10K.

(3) Rated conditions, Saturated suction temperature -10°C. Ambient air temperature +32°C. Return Gas Temperature 20°C

SEPR, Seasonal Energy Performance Ratio

Q [kW], Cooling Capacity

P [kW], Power Input


 For more information related to EcoDesign compliance, please refer to Coolselector®  
[coolselector.danfoss.com](http://coolselector.danfoss.com) or contact Danfoss


Performance with SH=10K &amp; SC=0K

Code number	Model number	Electrical code	Tamb [°C]	Cooling capacity Q [kW]							P [kW]		EcoDesign (3)				Sound power level dB(A)	Sound pressure level 10 m dB(A)
				Te [°C]							COP (2)	Q [kW]	P [kW]	COP <sub>A</sub>	SEPR			
				-20°C	-15°C	-10°C	-5°C	0°C	5°C	10°C						-10°C		
114X4264	OP-MPXM034MLP00E	E	27	2.45	3.06	3.77	4.59	5.52	6.57	7.75								
			32	2.26	2.84	3.51	4.28	5.17	6.17	7.29	1.62	2.16	3.37	1.52	2.18		68	37
			38		2.56	3.18	3.90	4.73	5.67									
			43															
114X4261	OP-MPXM034MLP00G	G	27	2.51	3.13	3.86	4.69	5.65	6.72	7.91								
			32	2.32	2.90	3.59	4.38	5.29	6.31	7.45	1.66	2.16	3.42	1.55	2.18		68	37
			38		2.61	3.25	3.99	4.83	5.79									
			43															
114X4284	OP-MPXM046MLP00E	E	27	3.08	3.84	4.71	5.67	6.74	7.90	9.15								
			32	2.83	3.55	4.37	5.27	6.28	7.37	8.54	2.55	1.71	4.19	2.35	1.73		68	37
			38		3.18	3.93	4.77	5.69	6.70									
			43															
114X4281	OP-MPXM046MLP00G	G	27	3.13	3.91	4.79	5.76	6.84	8.01	9.27								
			32	2.88	3.61	4.44	5.36	6.37	7.47	8.66	2.61	1.70	4.25	2.40	1.72		68	37
			38		3.23	3.99	4.84	5.77	6.79									
			43															
114X4293	OP-MPXM057MLP00E	E	27	3.75	4.68	5.73	6.90	8.19	9.60	11.11								
			32	3.45	4.32	5.31	6.41	7.63	8.95	10.37	3.03	1.75	5.16	2.83	1.77	2.91	68	37
			38		3.87	4.78	5.80	6.92	8.14									
			43															
114X4290	OP-MPXM057MLP00G	G	27	3.86	4.82	5.89	7.09	8.41	9.84	11.38								
			32	3.55	4.45	5.46	6.59	7.83	9.17	10.62	3.14	1.74	5.24	2.88	1.76	2.91	68	37
			38		3.98	4.91	5.95	7.09	8.33									
			43															
114X4308	OP-MPXM068MLP00G	G	27	4.95	6.08	7.40	8.91	10.62	12.53	14.63								
			32	4.65	5.70	6.93	8.34	9.95	11.75	13.74	3.45	2.01	6.61	3.20	2.03	3.27	69	38
			38		5.26	6.37	7.66	9.14	10.81									
			43															
114X4311	OP-MPXM068MLP00E	E	27	4.99	6.13	7.46	8.98	10.70	12.63	14.74								
			32	4.69	5.75	6.99	8.41	10.03	11.85	13.85	3.31	2.11	6.66	3.07	2.13	3.42	69	38
			38		5.30	6.43	7.73	9.22	10.90									
			43															
114X4321	OP-MPXM080MLP00G	G	27	5.79	7.14	8.71	10.53	12.59	14.90	17.47								
			32	5.45	6.69	8.16	9.87	11.81	14.00	16.43	3.98	2.05	7.77	3.69	2.07	3.35	69	38
			38		6.18	7.51	9.07	10.87	12.90									
			43															
114X4324	OP-MPXM080MLP00E	E	27	5.81	7.15	8.73	10.55	12.62	14.94	17.51								
			32	5.46	6.71	8.19	9.89	11.84	14.04	16.48	3.79	2.16	7.86	3.43	2.18	3.52	69	38
			38		6.20	7.54	9.10	10.90	12.94									
			43															
114X4344	OP-MPXM108MLP00E	E	27	7.19	9.01	11.07	13.38	15.96	18.79	21.88								
			32	6.52	8.24	10.20	12.39	14.83	17.52	20.45	5.55	1.84	10.08	5.21	1.85	3.07	75	44
			38		7.29	9.11	11.15	13.43	15.94									
			43															
114X4414	OP-MPXM125MLP00E	E	27	8.99	11.21	13.74	16.60	19.79	23.32	27.18								
			32	8.30	10.41	12.81	15.51	18.52	21.85	25.51	6.04	2.12	12.11	5.69	2.14	3.41	77	46
			38		9.42	11.64	14.14	16.94	20.03									
			43															
114X4434	OP-MPXM162MLP00E	E	27	10.81	13.62	16.79	20.34	24.28	28.58	33.22								
			32	9.80	12.46	15.47	18.83	22.55	26.62	31.02	8.38	1.84	14.89	7.85	1.86	3.05	77	46
			38		11.01	13.80	16.92	20.38	24.17									
			43															

**MBP**
**(1) G** - Compressor 230V/1~/50Hz, fan 230V/1~/50Hz

**E** - Compressor 400V/3~/50Hz, fan 230V/1~/50Hz

**(2)** Nominal conditions, Saturated suction temperature -10°C. Ambient air temperature +32°C. Superheat 10K.

**(3)** Rated conditions, Saturated suction temperature -10°C. Ambient air temperature +32°C. Return Gas Temperature 20°C

 SEPR, Seasonal Energy Performance Ratio  
 Q [kW], Cooling Capacity  
 P [kW], Power Input

 For more information related to EcoDesign compliance, please refer to Coolselector®  
[coolselector.danfoss.com](http://coolselector.danfoss.com) or contact Danfoss


Application	Code number	Model number	Compressor Model	Electrical Code (1)	Refrigerant (2)	Condenser Coil			Fan		Receiver	Dimensions					Weight		
						Type	Airflow (m <sup>2</sup> /h)	Internal Volume (dm <sup>3</sup> )	Number	Blade ø (mm)	Volume (L)	Figure	Height (mm)	Width (mm)	Depth (mm)	Suction line (inch)	Liquid Line (inch)	Gross (Kg)	Net (Kg)
LBP	114X3109	OP-LPHM018SCP00G	SC18CLX.2	G	H	A7	2,200	0.41	1	365	1.3	1	652	906	356	3/8"	3/8"	73	53
LBP	114X3118	OP-LPQM017MPP00G	MPT16LA	G	Q	A7	2,200	0.41	1	365	1.3	1	652	906	356	3/8"	3/8"	65	49
LBP	114X3216	OP-LPQM026AJP00G	CAJ2446Z	G	Q	D7	3,300	0.61	1	450	3.4	2	813	1055	430	1/2"	3/8"	97	80
LBP	114X3225	OP-LPQM048NTP00G	NTZ048-5	G	Q	D7	3,300	0.61	1	450	3.4	2	813	1055	430	5/8"	3/8"	102	80
LBP	114X3233	OP-LPQM048NTP00E	NTZ048-4	E	Q	D7	3,300	0.61	1	450	3.4	2	813	1055	430	5/8"	3/8"	102	80
LBP	114X3241	OP-LPQM068NTP00G	NTZ068-5	G	Q	D7	3,300	0.61	1	450	3.4	2	813	1055	430	5/8"	3/8"	102	80
LBP	114X3249	OP-LPQM068NTP00E	NTZ068-4	E	Q	D7	3,300	0.61	1	450	3.4	2	813	1055	430	5/8"	3/8"	102	80
LBP	114X3252	OP-LPQM074FHP00G	FH2511Z	G	Q	D7	3,300	0.61	1	450	3.4	2	813	1055	430	5/8"	3/8"	111	94
LBP	114X3253	OP-LPQM074FHP00E	TFH2511Z	E	Q	D7	3,300	0.61	1	450	3.4	2	813	1055	430	5/8"	3/8"	106	89
LBP	114X3357	OP-LPQM096NTP00E	NTZ096-4	E	Q	G7	5,200	1.69	1	500	6.2	3	967	1406	481	7/8"	1/2"	143	107
LBP	114X3365	OP-LPQM136NTP00E	NTZ136-4	E	Q	G7	5,200	1.69	1	500	6.2	3	967	1406	481	1 1/8"	1/2"	143	107
LBP	114X3476	OP-LPQM215LLP00E	LLZ024T4	E	Q	J7	9,500	2.03	2	500	10	4	966	1800	600	1 1/8"	3/4"	218	169
LBP	114X3482	OP-LPQM271LLP00E	LLZ034T4	E	Q	J7	9,500	2.03	2	500	10	4	966	1800	600	1 1/8"	3/4"	218	169
MBP	114X4101	OP-MPHM007SCP00G	NF7MLX	G	H	A7	2,200	0.41	1	365	1.3	1	652	906	356	3/8"	1/4"	73	52
MBP	114X4102	OP-MPHM010SCP00G	SC10MLX	G	H	A7	2,200	0.41	1	365	1.3	1	652	906	356	3/8"	1/4"	73	52
MBP	114X4104	OP-MPHM012SCP00G	SC12MLX	G	H	A7	2,200	0.41	1	365	1.3	1	652	906	356	3/8"	3/8"	73	52
MBP	114X4105	OP-MPHM015SCP00G	SC15MLX	G	H	A7	2,200	0.41	1	365	1.3	1	652	906	356	3/8"	3/8"	73	52
MBP	114X4109	OP-MPHM018SCP00G	SC18MLX	G	H	A7	2,200	0.41	1	365	1.3	1	652	906	356	3/8"	3/8"	73	52
MBP	114X4119	OP-MPYM008MYP00G	MLY80RAB	G	Y	A7	2,200	0.41	1	365	1.3	1	652	906	356	3/8"	1/4"	65	49
MBP	114X4120	OP-MPYM009MYP00G	MLY90RAB	G	Y	A7	2,200	0.41	1	365	1.3	1	652	906	356	3/8"	1/4"	65	49
MBP	114X4121	OP-MPYM012MPP00G	MPT12RA	G	Y	A7	2,200	0.41	1	365	1.3	1	652	906	356	3/8"	3/8"	65	49
MBP	114X4122	OP-MPYM014MPP00G	MPT14RA	G	Y	A7	2,200	0.41	1	365	1.3	1	652	906	356	3/8"	3/8"	65	49
MBP	114X4200	OP-MPYM024AJP00G	CAJ9513Z	G	Y	D7	3,300	0.61	1	450	3.4	2	813	1055	430	5/8"	3/8"	97	80
MBP	114X4212	OP-MPYM026AJP00G	CAJ4517Z	G	Y	D7	3,300	0.61	1	450	3.4	2	813	1055	430	5/8"	3/8"	97	80
MBP	114X4213	OP-MPYM026AJP00E	TAJ4517Z	E	Y	D7	3,300	0.61	1	450	3.4	2	813	1055	430	5/8"	3/8"	97	80
MBP	114X4220	OP-MPGM033AJP00G	CAJ4511Y	G	G	D7	3,300	0.61	1	450	3.4	2	813	1055	430	5/8"	3/8"	97	80
MBP	114X4226	OP-MPYM034AJP00G	CAJ4519Z	G	Y	D7	3,300	0.61	1	450	3.4	2	813	1055	430	5/8"	3/8"	97	80
MBP	114X4227	OP-MPYM034AJP00E	TAJ4519Z	E	Y	D7	3,300	0.61	1	450	3.4	2	813	1055	430	5/8"	3/8"	97	80
MBP	114X4230	OP-MPYM018AJP00G	CAJ9510Z	G	Y	D7	3,300	0.61	1	450	3.4	2	813	1055	430	5/8"	3/8"	97	80
MBP	114X4261	OP-MPXM034MLP00G	MLZ015T5	G	X	D7	3,300	0.61	1	450	3.4	2	813	1055	430	3/4"	1/2"	109	87
MBP	114X4264	OP-MPXM034MLP00E	MLZ015T4	E	X	D7	3,300	0.61	1	450	3.4	2	813	1055	430	3/4"	1/2"	109	87
MBP	114X4281	OP-MPXM046MLP00G	MLZ021T5	G	X	D7	3,300	0.61	1	450	3.4	2	813	1055	430	3/4"	1/2"	109	87
MBP	114X4284	OP-MPXM046MLP00E	MLZ021T4	E	X	D7	3,300	0.61	1	450	3.4	2	813	1055	430	3/4"	1/2"	109	87
MBP	114X4290	OP-MPXM057MLP00G	MLZ026T5	G	X	D7	3,300	0.61	1	450	3.4	2	813	1055	430	3/4"	1/2"	109	87
MBP	114X4293	OP-MPXM057MLP00E	MLZ026T4	E	X	D7	3,300	0.61	1	450	3.4	2	813	1055	430	3/4"	1/2"	109	87
MBP	114X4308	OP-MPXM068MLP00G	MLZ030T5	G	X	G7	5,200	1.69	1	500	6.2	3	967	1406	481	7/8"	5/8"	137	101
MBP	114X4311	OP-MPXM068MLP00E	MLZ030T4	E	X	G7	5,200	1.69	1	500	6.2	3	967	1406	481	7/8"	5/8"	137	101
MBP	114X4321	OP-MPXM080MLP00G	MLZ038T5	G	X	G7	5,200	1.69	1	500	6.2	3	967	1406	481	7/8"	5/8"	137	101
MBP	114X4324	OP-MPXM080MLP00E	MLZ038T4	E	X	G7	5,200	1.69	1	500	6.2	3	967	1406	481	7/8"	5/8"	137	101
MBP	114X4344	OP-MPXM108MLP00E	MLZ048T4	E	X	G7	5,200	1.69	1	500	6.2	3	967	1406	481	7/8"	5/8"	137	101
MBP	114X4414	OP-MPXM125MLP00E	MLZ058T4	E	X	J7	9,500	2.03	2	500	10	4	966	1800	600	1 1/8"	3/4"	218	169
MBP	114X4434	OP-MPXM162MLP00E	MLZ076T4	E	X	J7	9,500	2.03	2	500	10	4	966	1800	600	1 1/8"	3/4"	218	169

(1) G - Compressor 230V/1~/50Hz, fan 230V/1~/50Hz  
 E - Compressor 400V/3~/50Hz, fan 230V/1~/50Hz

(2) G - R134a  
 X - R134a R404A R507 R407A R407F R449A R448A  
 Y - R404A R507 R449A  
 Q - R404A R507 R452A  
 H - R404A R507

Designation	LPHM018SC	LPQM017MP	LPQM026AJ	LPQM048NT	LPQM048NT	LPQM068NT	LPQM068NT	LPQM074FH
Code Number	114X3109	114X3118	114X3216	114X3225	114X3233	114X3241	114X3249	114X3252
Compressor Description	SC18CLX.2	MPT16LA	CAJ2446Z	NTZ048-5	NTZ048-4	NTZ068-5	NTZ068-4	FH2511Z
Oil		POE32	RL32HA/HT	175PZ-POE	175PZ-POE	175PZ-POE	175PZ-POE	RL32HA/HT
Chassis	H1	H1	H2	H2	H2	H2	H2	H2
<b>Spare Parts</b>								
Compressor single pack	195B0332	123B2127	118U3992	120F0228	120F0226	120F0232	120F0230	118U3914
Condenser	118U3492	118U3492	118U3493	118U3493	118U3493	118U3493	118U3493	118U3493
Discharge pressure sensor	118U3722	118U3722	118U3722	118U3722	118U3722	118U3722	118U3722	118U3722
Fan assembly								
Fan blade	118U3480	118U3480	118U3481	118U3481	118U3481	118U3481	118U3481	118U3481
Fan capacitor	118U3296	118U3296	118U3297	118U3297	118U3297	118U3297	118U3297	118U3297
Fan cowl/grill	118U3483	118U3483	118U3484	118U3484	118U3484	118U3484	118U3484	118U3484
Fan motor	118U3477	118U3477	118U3823	118U3823	118U3823	118U3823	118U3823	118U3823
Filter drier	023Z5040	023Z5039	023Z5040	023Z5040	023Z5040	023Z5040	023Z5040	023Z5040
High-pressure switch	118U3718	118U3718	118U3718	118U3718	118U3718	118U3718	118U3718	118U3718
Liquid valve	009G7051	009G7051	009G7051	009G7051	009G7051	009G7051	009G7051	009G7051
Low-pressure switch	118U3720	118U3720	118U3720	118U3720	118U3720	118U3720	118U3720	118U3720
Receiver	118U3474	118U3474	118U3475	118U3475	118U3475	118U3475	118U3475	118U3475
Sight glass	014L0182	014L0181	014L0172	014L0172	014L0172	014L0172	014L0172	014L0172
Suction pressure sensor	118U3721	118U3721	118U3721	118U3721	118U3721	118U3721	118U3721	118U3721
Suction valve	009G7051	009G7051	009G7052	009G7053	009G7053	009G7053	009G7053	009G7053
<b>Electrical Spare Parts</b>								
Crankcase heater	120Z0057	120Z0057	120Z0057	120Z0459	120Z0459	120Z0459	120Z0459	120Z0459
Optyma™ Plus Controller	118U3465	118U3465	118U3465	118U3465	118U3465	118U3465	118U3465	118U3465
Discharge temperature sensor	084N2007	084N2007	084N2007	084N2007	084N2007	084N2007	084N2007	084N2007
Suction and ambient temp sensor	084N0003	084N0003	084N0003	084N0003	084N0003	084N0003	084N0003	084N0003
Contact kit	118U3845	118U3845	118U3845	118U3846	118U3845	118U3848	118U3845	118U3845
Door handle	118U3858	118U3858	118U3858	118U3858	118U3858	118U3858	118U3858	118U3858
Main switch kit	118U3851	118U3853	118U3851	118U3852	118U3853	118U3854	118U3851	118U3853
Run capacitor				8173041		8173041		
Starting capacitor	117U5012			8173001		8173001		
Starting relay	117U6013			8173022		8173022		
<b>Electrical Characteristics</b>								
Wiring Diagram	WD1	WD7	WD3	WD3	WD5	WD3	WD5	WD3
LRA Compressor [A]	23.5	19	29	37	16	53	25	81
MCC Compressor [A]	5.3	4	7.9	11	4.8	17	8.4	24
Max cont.power [kW]	1.07	0.89	1.31	2.19	2.28	3.62	3.57	3.45
MCC Fan [A]	0.32	0.32	0.47	0.47	0.47	0.47	0.47	0.47
Fan Power [W]	1x25	1x25	1x68	1x68	1x68	1x68	1x68	1x68
Min Fuse rating gL/gG (A)	16	10	16	20	10	25	16	32
<b>Accessories (Not Premounted)</b>								
Acoustic hood				120Z575	120Z575	120Z575	120Z575	
<b>Adap-Kool Accessories</b>								
External Display & settings	084B8575	084B8575	084B8575	084B8575	084B8575	084B8575	084B8575	084B8575
Cable for EKA Displays 6 m	084B7299	084B7299	084B7299	084B7299	084B7299	084B7299	084B7299	084B7299
Mounting kit for EKA Display	084B8584	084B8584	084B8584	084B8584	084B8584	084B8584	084B8584	084B8584
MODBUS Communication Module	084B8571	084B8571	084B8571	084B8571	084B8571	084B8571	084B8571	084B8571
Lon-Bus Communication Module	084B8579	084B8579	084B8579	084B8579	084B8579	084B8579	084B8579	084B8579
Programming Key	084B8582	084B8582	084B8582	084B8582	084B8582	084B8582	084B8582	084B8582

MCA - Minimum Circuit Ampacity

MCC - Max Continuous Current

LRA - Locked Rotor Amps

Designation	LPQM074FH	LPQM096NT	LPQM136NT	LPQM215LL	LPQM271LL
Code Number	114X3253	114X3357	114X3365	114X3476	114X3482
Compressor Description	TFH2511Z	NTZ096-4	NTZ136-4	LLZ024T4	LLZ034T4
Oil	RL32HA/HT	175PZ-POE	175PZ-POE	215PZ-POE46	215PZ-POE46
Chassis	H2	H3	H3	H4	H4
<b>Spare Parts</b>					
Compressor single pack	118U3915	120F0234	120F0236	121L9541	121L9543
Condenser	118U3493	118U3494	118U3494	118U3717	118U3717
Discharge pressure sensor	118U3722	118U3722	118U3722	118U3722	118U3722
Fan assembly		118U3829	118U3829	118U3829	118U3829
Fan blade	118U3481				
Fan capacitor	118U3297				
Fan cowl/grill	118U3484	118U3485	118U3485	118U3485	118U3485
Fan motor	118U3823				
Filter drier	023Z5040	023Z5044	023Z5044	023Z5046	023Z5046
High-pressure switch	118U3718	118U3718	118U3718	118U3718	118U3718
Liquid valve	009G7051	009G7052	009G7052	009G7054	009G7054
Low-pressure switch	118U3720	118U3720	118U3720	118U3720	118U3720
Receiver	118U3475	118U3476	118U3476	118U3716	118U3716
Sight glass	014L0172	014L0173	014L0173	014L0175	014L0175
Suction pressure sensor	118U3721	118U3721	118U3721	118U3721	118U3721
Suction valve	009G7053	009G7055	009G7056	009G7056	009G7056
<b>Electrical Spare Parts</b>					
Crankcase heater	120Z0459	120Z0459	120Z0459	120Z5040	120Z5040
Optyma™ Plus Controller	118U3465	118U3465	118U3465	118U3465	118U3465
Discharge temperature sensor	084N2007	084N2007	084N2007	084N2007	084N2007
Suction and ambient temp sensor	084N0003	084N0003	084N0003	084N0003	084N0003
Contact kit	118U3845	118U3846	118U3847	118U3848	118U3848
Door handle	118U3858	118U3858	118U3858	118U3858	118U3858
Main switch kit	118U3853	118U3851	118U3852	118U3856	118U3856
Run capacitor					
Starting capacitor					
Starting relay					
<b>Electrical Characteristics</b>					
Wiring Diagram	WD5	WD5	WD5	WD6	WD6
LRA Compressor [A]	28	32	51	95	150
MCC Compressor [A]	7.2	10.1	14.3	21	26
Max cont.power [kW]	3.34	4.53	6.87	7.96	11.1
MCC Fan [A]	0.47	0.97	0.97	2x0.97	2x0.97
Fan Power [W]	1x68	1x130	1x130	2x130	2x130
Min Fuse rating gL/gG (A)	16	16	20	32	40
<b>Accessories (Not Premounted)</b>					
Acoustic hood		120Z576	120Z576	120Z5053	120Z5055
<b>Adap-Kool Accessories</b>					
External Display & settings	084B8575	084B8575	084B8575	084B8575	084B8575
Cable for EKA Displays 6 m	084B7299	084B7299	084B7299	084B7299	084B7299
Mounting kit for EKA Display	084B8584	084B8584	084B8584	084B8584	084B8584
MODBUS Communication Module	084B8571	084B8571	084B8571	084B8571	084B8571
Lon-Bus Communication Module	084B8579	084B8579	084B8579	084B8579	084B8579
Programming Key	084B8582	084B8582	084B8582	084B8582	084B8582

MCA - Minimum Circuit Ampacity

MCC - Max Continuous Current

LRA - Locked Rotor Amps

Designation	MPHM0075C	MPHM0105C	MPHM0125C	MPHM0155C	MPHM0185C	MPYM008MY	MPYM009MY	MPYM012MP	MPYM014MP	MPYM024AJ
Code Number	114X4101	114X4102	114X4104	114X4105	114X4109	114X4119	114X4120	114X4121	114X4122	114X4200
Compressor Description	NF7MLX	SC10MLX	SC12MLX	SC15MLX	SC18MLX	MLY80RAB	MLY90RAB	MPT12RA	MPT14RA	CAJ9513Z
Oil						POE32	POE32	POE32	POE32	RL32HA/HT
Chassis	H1	H1	H1	H1	H1	H1	H1	H1	H1	H2
<b>Spare Parts</b>										
Compressor single pack	195B0443	195B0345	195B0323	195B0391	195B0624	123B2510	123B2514	123B2518	123B2704	118U3995
Condenser	118U3492	118U3492	118U3492	118U3492	118U3492	118U3492	118U3492	118U3492	118U3492	118U3493
Discharge pressure sensor	118U3722	118U3722	118U3722	118U3722	118U3722	118U3722	118U3722	118U3722	118U3722	118U3722
Fan assembly										
Fan blade	118U3480	118U3480	118U3480	118U3480	118U3480	118U3480	118U3480	118U3480	118U3480	118U3481
Fan capacitor	118U3296	118U3296	118U3296	118U3296	118U3296	118U3296	118U3296	118U3296	118U3296	118U3297
Fan cowl/grill	118U3483	118U3483	118U3483	118U3483	118U3483	118U3483	118U3483	118U3483	118U3483	118U3484
Fan motor	118U3477	118U3477	118U3477	118U3477	118U3477	118U3477	118U3477	118U3477	118U3477	118U3823
Filter drier	023Z5039	023Z5039	023Z5040	023Z5040	023Z5040	023Z5039	023Z5040	023Z5040	023Z5040	023Z5040
High-pressure switch	118U3718	118U3718	118U3718	118U3718	118U3718	118U3718	118U3718	118U3718	118U3718	118U3718
Liquid valve	009G7050	009G7050	009G7051	009G7051	009G7051	009G7050	009G7050	009G7051	009G7051	009G7051
Low-pressure switch	118U3720	118U3720	118U3720	118U3720	118U3720	118U3720	118U3720	118U3720	118U3720	118U3720
Receiver	118U3474	118U3474	118U3474	118U3474	118U3474	118U3474	118U3474	118U3474	118U3474	118U3475
Sight glass	014L0181	014L0181	014L0182	014L0182	014L0182	014L0181	014L0181	014L0181	014L0181	014L0172
Suction pressure sensor	118U3721	118U3721	118U3721	118U3721	118U3721	118U3721	118U3721	118U3721	118U3721	118U3721
Suction valve	009G7051	009G7051	009G7051	009G7051	009G7051	009G7051	009G7051	009G7051	009G7051	009G7053
<b>Electrical Spare Parts</b>										
Crankcase heater	120Z0057	120Z0057	120Z0057	120Z0057	120Z0057	120Z0057	120Z0057	120Z0057	120Z0057	120Z0057
Optyma™ Plus Controller	118U3465	118U3465	118U3465	118U3465	118U3465	118U3465	118U3465	118U3465	118U3465	118U3465
Discharge temperature sensor	084N2007	084N2007	084N2007	084N2007	084N2007	084N2007	084N2007	084N2007	084N2007	084N2007
Suction and ambient temp sensor	084N0003	084N0003	084N0003	084N0003	084N0003	084N0003	084N0003	084N0003	084N0003	084N0003
Contact kit	118U3845	118U3845	118U3845	118U3845	118U3845	118U3845	118U3845	118U3845	118U3845	118U3845
Door handle	118U3858	118U3858	118U3858	118U3858	118U3858	118U3858	118U3858	118U3858	118U3858	118U3858
Main switch kit	118U3853	118U3853	118U3851	118U3851	118U3851	118U3853	118U3853	118U3853	118U3853	118U3851
Run capacitor										
Starting capacitor	117U5018	117U5017	117U5017	117U5012	117-7027					
Starting relay	117U4139	117U6011	117U6011	117U6013						
<b>Electrical Characteristics</b>										
Wiring Diagram	WD1	WD1	WD1	WD1	WD3	WD7	WD7	WD7	WD7	WD3
LRA Compressor [A]	20	18.4	23.4	23.5	23.6	14	17	18.5	21	33.5
MCC Compressor [A]	3.6	4.8	5.7	6.2	6.1	4.9	5.3	5.3	6.5	10.2
Max cont.power [kW]	0.6	0.78	0.93	1.17	1.28	0.55	0.62	0.84	1.03	1.75
MCC Fan [A]	0.32	0.32	0.32	0.32	0.32	0.32	0.32	0.32	0.32	0.47
Fan Power [W]	1x25	1x25	1x25	1x25	1x25	1x25	1x25	1x25	1x25	1x68
Min Fuse rating gL/gG (A)	10	10	16	16	16	10	10	10	16	20
<b>Accessories (Not Premounted)</b>										
Acoustic hood										
<b>Adap-Kool Accessories</b>										
External Display & settings	084B8575	084B8575	084B8575	084B8575	084B8575	084B8575	084B8575	084B8575	084B8575	084B8575
Cable for EKA Displays 6 m	084B7299	084B7299	084B7299	084B7299	084B7299	084B7299	084B7299	084B7299	084B7299	084B7299
Mounting kit for EKA Display	084B8584	084B8584	084B8584	084B8584	084B8584	084B8584	084B8584	084B8584	084B8584	084B8584
MODBUS Communication Module	084B8571	084B8571	084B8571	084B8571	084B8571	084B8571	084B8571	084B8571	084B8571	084B8571
Lon-Bus Communication Module	084B8579	084B8579	084B8579	084B8579	084B8579	084B8579	084B8579	084B8579	084B8579	084B8579
Programming Key	084B8582	084B8582	084B8582	084B8582	084B8582	084B8582	084B8582	084B8582	084B8582	084B8582

MCA - Minimum Circuit Ampacity  
MCC - Max Continuous Current  
LRA - Locked Rotor Amps

Designation	MPYM026AJ	MPYM026AJ	MPGM033AJ	MPYM034AJ	MPYM034AJ	MPYM018AJ	MPXM034ML	MPXM034ML	MPXM046ML
Code Number	114X4212	114X4213	114X4220	114X4226	114X4227	114X4230	114X4261	114X4264	114X4281
Compressor Description	CAJ4517Z	TAJ4517Z	CAJ4511Y	CAJ4519Z	TAJ4519Z	CAJ9510Z	MLZ015T5	MLZ015T4	MLZ021T5
Oil	RL32HA/HT	RL32HA/HT	RL32HA/HT	RL32HA/HT	RL32HA/HT	RL32HA/HT	215PZ-POE46	215PZ-POE46	215PZ-POE46
Chassis	H2	H2	H2	H2	H2	H2	H2	H2	H2
<b>Spare Parts</b>									
Compressor single pack	118U3993	118U3991	118U3996	118U3994	118U3989	118U3988	121L8631	121L8629	121L8635
Condenser	118U3493	118U3493	118U3493	118U3493	118U3493	118U3493	118U3493	118U3493	118U3493
Discharge pressure sensor	118U3722	118U3722	118U3722	118U3722	118U3722	118U3722	118U3722	118U3722	118U3722
Fan assembly									
Fan blade	118U3481	118U3481	118U3481	118U3481	118U3481	118U3481	118U3481	118U3481	118U3481
Fan capacitor	118U3297	118U3297	118U3297	118U3297	118U3297	118U3297	118U3297	118U3297	118U3297
Fan cowl/grill	118U3484	118U3484	118U3484	118U3484	118U3484	118U3484	118U3484	118U3484	118U3484
Fan motor	118U3823	118U3823	118U3823	118U3823	118U3823	118U3823	118U3823	118U3823	118U3823
Filter drier	023Z5040	023Z5040	023Z5041	023Z5040	023Z5040	023Z5041	023Z5041	023Z5041	023Z5041
High-pressure switch	118U3718	118U3718	118U3718	118U3718	118U3718	118U3718	118U3718	118U3718	118U3718
Liquid valve	009G7051	009G7051	009G7051	009G7051	009G7051	009G7051	009G7052	009G7052	009G7052
Low-pressure switch	118U3720	118U3720	118U3720	118U3720	118U3720	118U3720	118U3720	118U3720	118U3720
Receiver	118U3475	118U3475	118U3475	118U3475	118U3475	118U3475	118U3475	118U3475	118U3475
Sight glass	014L0172	014L0172	014L0172	014L0172	014L0172	014L0172	014L0173	014L0173	014L0173
Suction pressure sensor	118U3721	118U3721	118U3721	118U3721	118U3721	118U3721	118U3721	118U3721	118U3721
Suction valve	009G7053	009G7053	009G7053	009G7053	009G7053	009G7053	009G7054	009G7054	009G7054
<b>Electrical Spare Parts</b>									
Crankcase heater	120Z0057	120Z0057	118U0051	120Z0057	120Z0057	118U0051	120Z5040	120Z5040	120Z5040
Optyma™ Plus Controller	118U3465	118U3465	118U3465	118U3465	118U3465	118U3465	118U3465	118U3465	118U3465
Discharge temperature sensor	084N2007	084N2007	084N2007	084N2007	084N2007	084N2007	084N2007	084N2007	084N2007
Suction and ambient temp sensor	084N0003	084N0003	084N0003	084N0003	084N0003	084N0003	084N0003	084N0003	084N0003
Contact kit	118U3846	118U3845	118U3845	118U3847	118U3847	118U3845	118U3848	118U3845	118U3848
Door handle	118U3858	118U3858	118U3858	118U3858	118U3858	118U3858	118U3858	118U3858	118U3858
Main switch kit	118U3851	118U3851	118U3851	118U3852	118U3852	118U3851	118U3854	118U3851	118U3856
Run capacitor							8173231		120Z0051
Starting capacitor							120Z0399		120Z0399
Starting relay							120Z0393		120Z0393
<b>Electrical Characteristics</b>									
Wiring Diagram	WD3	WD2	WD3	WD3	WD2	WD2	WD4	WD5	WD4
LRA Compressor [A]	38.5	18	30	45	30	30	60	30	97
MCC Compressor [A]	12.7	4	8.9	15.2	7	8	19	7	25
Max cont.power [kW]	1.96	2.05	1.5	2.7	2.73	1.3	2.53	2.73	3.38
MCC Fan [A]	0.47	0.47	0.47	0.47	0.47	0.47	0.47	0.47	0.47
Fan Power [W]	1x68	1x68	1x68	1x68	1x68	1x68	1x68	1x68	1x68
Min Fuse rating gL/gG (A)	20	10	16	20	10	16	25	16	40
<b>Accessories (Not Premounted)</b>									
Acoustic hood							120Z5043	120Z5043	120Z5043
<b>Adap-Kool Accessories</b>									
External Display & settings	084B8575	084B8575	084B8575	084B8575	084B8575	084B8575	084B8575	084B8575	084B8575
Cable for EKA Displays 6 m	084B7299	084B7299	084B7299	084B7299	084B7299	084B7299	084B7299	084B7299	084B7299
Mounting kit for EKA Display	084B8584	084B8584	084B8584	084B8584	084B8584	084B8584	084B8584	084B8584	084B8584
MODBUS Communication Module	084B8571	084B8571	084B8571	084B8571	084B8571	084B8571	084B8571	084B8571	084B8571
Lon-Bus Communication Module	084B8579	084B8579	084B8579	084B8579	084B8579	084B8579	084B8579	084B8579	084B8579
Programming Key	084B8582	084B8582	084B8582	084B8582	084B8582	084B8582	084B8582	084B8582	084B8582

MCA - Minimum Circuit Ampacity  
MCC - Max Continuous Current  
LRA - Locked Rotor Amps

Designation	MPXM046ML	MPXM057ML	MPXM057ML	MPXM068ML	MPXM068ML	MPXM080ML	MPXM080ML	MPXM108ML	MPXM125ML	MPXM162ML
Code Number	114X4284	114X4290	114X4293	114X4308	114X4311	114X4321	114X4324	114X4344	114X4414	114X4434
Compressor Description	MLZ021T4	MLZ026T5	MLZ026T4	MLZ030T5	MLZ030T4	MLZ038T5	MLZ038T4	MLZ048T4	MLZ058T4	MLZ076T4
Oil	215PZ-POE46	215PZ-POE46	215PZ-POE46	215PZ-POE46	215PZ-POE46	215PZ-POE46	215PZ-POE46	215PZ-POE46	215PZ-POE46	215PZ-POE46
Chassis	H2	H2	H2	H3	H3	H3	H3	H3	H4	H4
<b>Spare Parts</b>										
Compressor single pack	121L8633	121L8639	121L8637	121L8643	121L8641	121L8647	121L8645	121L8651	121L8653	121L8655
Condenser	118U3493	118U3493	118U3493	118U3494	118U3494	118U3494	118U3494	118U3494	118U3717	118U3717
Discharge pressure sensor	118U3722	118U3722	118U3722	118U3722	118U3722	118U3722	118U3722	118U3722	118U3722	118U3722
Fan assembly				118U3829	118U3829	118U3829	118U3829	118U3829	118U3829	118U3829
Fan blade	118U3481	118U3481	118U3481							
Fan capacitor	118U3297	118U3297	118U3297							
Fan cowl/grill	118U3484	118U3484	118U3484	118U3485	118U3485	118U3485	118U3485	118U3485	118U3485	118U3485
Fan motor	118U3823	118U3823	118U3823							
Filter drier	023Z5041	023Z5041	023Z5041	023Z5045	023Z5045	023Z5045	023Z5045	023Z5045	023Z5046	023Z5046
High-pressure switch	118U3718	118U3718	118U3718	118U3718	118U3718	118U3718	118U3718	118U3718	118U3718	118U3718
Liquid valve	009G7052	009G7052	009G7052	009G7053	009G7053	009G7053	009G7053	009G7053	009G7054	009G7054
Low-pressure switch	118U3720	118U3720	118U3720	118U3720	118U3720	118U3720	118U3720	118U3720	118U3720	118U3720
Receiver	118U3475	118U3475	118U3475	118U3476	118U3476	118U3476	118U3476	118U3476	118U3716	118U3716
Sight glass	014L0173	014L0173	014L0173	014L0174	014L0174	014L0174	014L0174	014L0174	014L0175	014L0175
Suction pressure sensor	118U3721	118U3721	118U3721	118U3721	118U3721	118U3721	118U3721	118U3721	118U3721	118U3721
Suction valve	009G7054	009G7054	009G7054	009G7055	009G7055	009G7055	009G7055	009G7055	009G7056	009G7056
<b>Electrical Spare Parts</b>										
Crankcase heater	120Z5040	120Z5040	120Z5040	120Z5040	120Z5040	120Z5040	120Z5040	120Z5040	120Z5040	120Z5040
Opty™ Plus Controller	118U3465	118U3465	118U3465	118U3465	118U3465	118U3465	118U3465	118U3465	118U3465	118U3465
Discharge temperature sensor	084N2007	084N2007	084N2007	084N2007	084N2007	084N2007	084N2007	084N2007	084N2007	084N2007
Suction and ambient temp sensor	084N0003	084N0003	084N0003	084N0003	084N0003	084N0003	084N0003	084N0003	084N0003	084N0003
Contact kit	118U3846	118U3849	118U3846	118U3849	118U3847	118U3850	118U3847	118U3848	118U3847	118U3848
Door handle	118U3858	118U3858	118U3858	118U3858	118U3858	118U3858	118U3858	118U3858	118U3858	118U3858
Main switch kit	118U3852	118U3856	118U3852	118U3857	118U3852	118U3857	118U3852	118U3854	118U3855	118U3856
Run capacitor		120Z0051		8173233		8173234				
Starting capacitor		120Z0399		120Z0040		8173001				
Starting relay		120Z0393		120Z0394		120Z0395				
<b>Electrical Characteristics</b>										
Wiring Diagram	WD5	WD4	WD5	WD4	WD5	WD4	WD5	WD5	WD6	WD6
LRA Compressor [A]	45	97	45	127	60	130	70	87	95	140
MCC Compressor [A]	9.5	26	10	32	13	38	15	16	20	25
Max cont.power [kW]	3.33	4.42	4.14	4.89	4.88	5.77	5.78	7.55	9.39	11.41
MCC Fan [A]	0.47	0.47	0.47	0.97	0.97	0.47	0.97	0.97	2x0.97	2x0.97
Fan Power [W]	1x68	1x68	1x68	1x130	1x130	1x68	1x130	1x130	2x130	2x130
Min Fuse rating gL/gG (A)	20	40	20	50	20	50	20	25	32	40
<b>Accessories (Not Premounted)</b>										
Acoustic hood	120Z5043	120Z5043	120Z5043	120Z5044	120Z5044	120Z5044	120Z5044	120Z5044	120Z5045	120Z5045
<b>Adap-Kool Accessories</b>										
External Diplay & settings	084B8575	084B8575	084B8575	084B8575	084B8575	084B8575	084B8575	084B8575	084B8575	084B8575
Cable for EKA Displays 6 m	084B7299	084B7299	084B7299	084B7299	084B7299	084B7299	084B7299	084B7299	084B7299	084B7299
Mounting kit for EKA Display	084B8584	084B8584	084B8584	084B8584	084B8584	084B8584	084B8584	084B8584	084B8584	084B8584
MODBUS Communication Module	084B8571	084B8571	084B8571	084B8571	084B8571	084B8571	084B8571	084B8571	084B8571	084B8571
Lon-Bus Communication Module	084B8579	084B8579	084B8579	084B8579	084B8579	084B8579	084B8579	084B8579	084B8579	084B8579
Programming Key	084B8582	084B8582	084B8582	084B8582	084B8582	084B8582	084B8582	084B8582	084B8582	084B8582

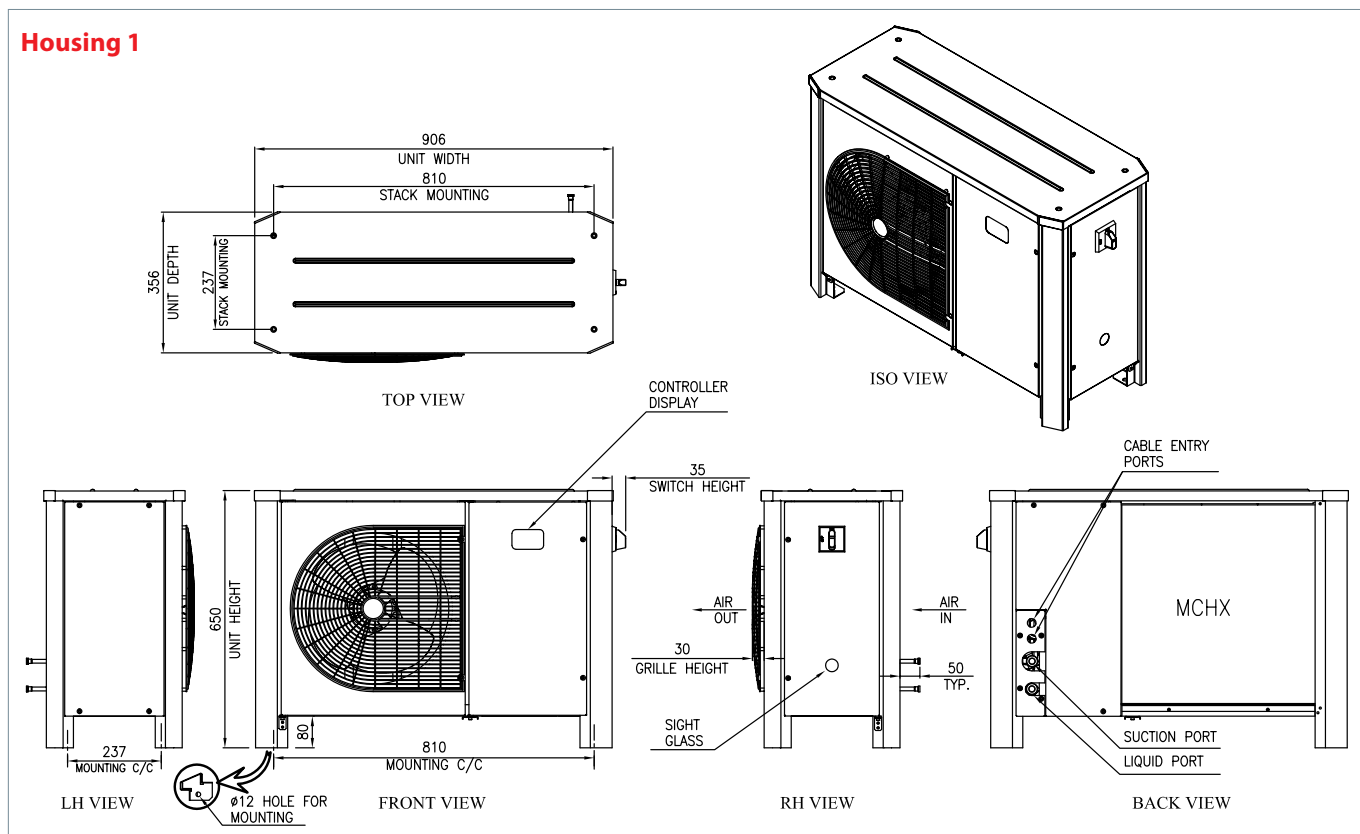
MCA - Minimum Circuit Ampacity  
MCC - Max Continuous Current  
LRA - Locked Rotor Amps

Component type	Component code	Component description	Additional informations
Acoustic Hood	120Z0575	ACOUSTIC HOOD COMP 1CYL	
Acoustic Hood	120Z5043	ACCOUSTIC HOOD - SMALL FRAME	
Acoustic Hood	120Z5044	Acoustic hood for Scroll MLZ compressor	
Acoustic Hood	120Z5045	ACCOUSTIC HOOD, LARGE FRAME	
Acoustic Hood	120Z5052	Sound Cover, LLZ013-018	
Cable for EKA Displays 6 m	084B7299	EKA Accessory	
Capacitor	8173001	CAPACITOR 100µF 330V+R	
Capacitor	8173041	CAPACITOR 30µF 450V	
Compressor Single Pack	118U3751	TAJ4519Z - AJ1 range	Phased out & replaced by 118U3989 from SN: 054428CG3916
Compressor Single Pack	118U3770	TAJ4517Z - AJ1 range	Phased out & replaced by 118U3991 from SN: 054428CG3916
Compressor Single Pack	118U3779	CAJ2446Z - AJ1 range	Phased out & replaced by 118U3992 from SN: 054428CG3916
Compressor Single Pack	118U3810	CAJ4517Z - AJ1 range	Phased out & replaced by 118U3993 from SN: 054428CG3916
Compressor Single Pack	118U3811	CAJ4519Z - AJ1 range	Phased out & replaced by 118U3994 from SN: 054428CG3916
Compressor Single Pack	118U3912	CAJ9513Z - AJ1 range	Phased out & replaced by 118U3995 from SN: 054428CG3916
Compressor Single Pack	118U3914	FH2511Z	
Compressor Single Pack	118U3915	TFH2511Z	
Compressor Single Pack	118U3988	CAJ9510Z - AJ2 range	
Compressor Single Pack	118U3989	TAJ4519Z - AJ2 range	
Compressor Single Pack	118U3991	TAJ4517Z - AJ2 range	
Compressor Single Pack	118U3992	CAJ2446Z - AJ2 range	
Compressor Single Pack	118U3993	CAJ4517Z - AJ2 range	
Compressor Single Pack	118U3994	CAJ4519Z - AJ2 range	
Compressor Single Pack	118U3995	CAJ9513Z - AJ2 range	
Compressor Single Pack	118U3996	CAJ4511Y - AJ2 range	
Compressor Single Pack	120F0226	NTZ048-4LR1B	
Compressor Single Pack	120F0228	NTZ048-5LR1B	
Compressor Single Pack	120F0230	NTZ068-4LR1B	
Compressor Single Pack	120F0232	NTZ068-5LR1B	
Compressor Single Pack	120F0234	NTZ096A4LR1B	
Compressor Single Pack	120F0236	NTZ136A4LR1B	
Compressor Single Pack	121L8629	MLZ015T4LP9A	
Compressor Single Pack	121L8631	MLZ015T5LP9A	
Compressor Single Pack	121L8633	MLZ021T4LP9A	
Compressor Single Pack	121L8635	MLZ021T5LP9A	
Compressor Single Pack	121L8637	MLZ026T4LP9A	
Compressor Single Pack	121L8639	MLZ026T5LP9A	
Compressor Single Pack	121L8641	MLZ030T4LC9A	
Compressor Single Pack	121L8643	MLZ030T5LC9A	
Compressor Single Pack	121L8645	MLZ038T4LC9A	
Compressor Single Pack	121L8647	MLZ038T5LC9A	
Compressor Single Pack	121L8651	MLZ048T4LC9A	
Compressor Single Pack	121L8653	MLZ058T4LC9A	
Compressor Single Pack	121L8655	MLZ076T4LC9A	
Compressor Single Pack	121L9541	LLZ024T4LQ9A	
Compressor Single Pack	121L9543	LLZ034T4LQ9A	
Compressor Single Pack	123B2127	MPT16LA	
Compressor Single Pack	123B2510	MLY80RAB	
Compressor Single Pack	123B2514	MLY90RAB	
Compressor Single Pack	123B2518	MPT12RA	
Compressor Single Pack	123B2704	MPT14RA	
Compressor Single Pack	195B0323	SC12MLX	
Compressor Single Pack	195B0332	SC18CLX.2	
Compressor Single Pack	195B0345	SC10MLX	
Compressor Single Pack	195B0391	SC15MLX	
Compressor Single Pack	195B0427	GS26CLX	CU phased out but spare part still available
Compressor Single Pack	195B0435	GS34MFX	CU phased out but spare part still available
Compressor Single Pack	195B0438	GS34MLX	CU phased out but spare part still available
Compressor Single Pack	195B0443	NF7MLX	
Compressor Single Pack	195B0624	SC18MLX	
Condenser	118U3492	A7	
Condenser	118U3493	D7	
Condenser	118U3494	G7	

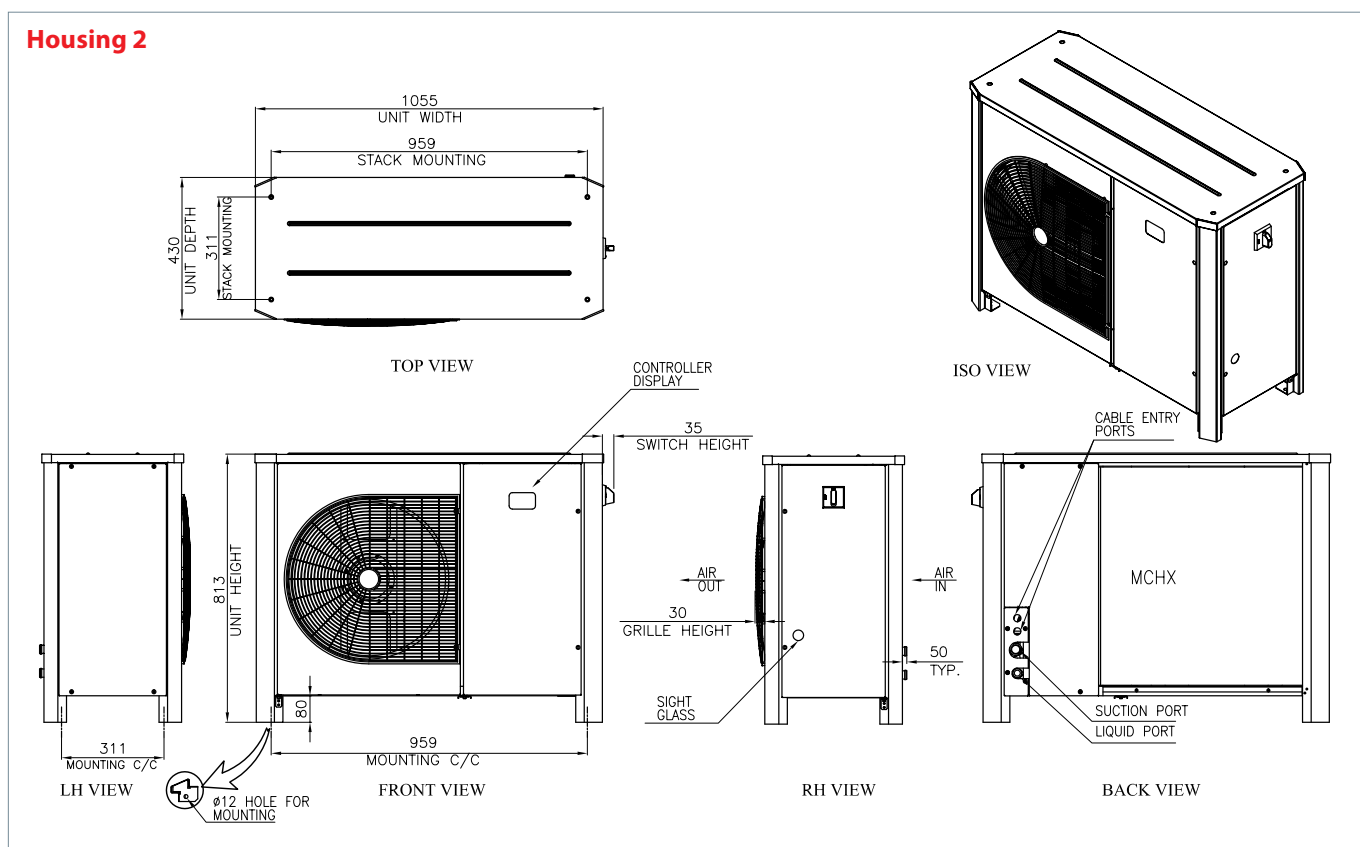
Component type	Component code	Component description	Additional informations
Condenser	118U3717	J7	
Contactorkit	118U3845	A 9-30-01-80, DILM07-01, DILM09-01	
Contactorkit	118U3846	A12-30-01-80, DILM12-01	
Contactorkit	118U3847	A 16-30-01-80, DILM15-01	
Contactorkit	118U3848	A 26-30-01-80, DILM17-01	
Contactorkit	118U3849	A 30-30-01-80, DILM25-01	
Contactorkit	118U3850	A 50-30-00-80, DILM32-01	
Crankcase heater	120Z0057	Belt type, 50 W, 230 V, CE mark, UL	
Crankcase heater	120Z0459	PTC heater 27 W, CE mark, UL	
Crankcase heater	120Z5040	Belt type, 70 W, 240 V, CE mark, UL	
Crankcase heater	118U0051	CRANKCASE HEATER 55W	192H2096 Phased out Use 118U0051
Discharge pressure sensor	118U3722	AKS 32R 0...32 bar	
Discharge temperature sensor	084N2007	AKS21A	
Door handle	118U3858	Door handle, ABB-OHB2AJM,MSMN,OX5X131	
External Display & settings	084B8575	EKA164B	
Fan assembly	118U3829	Fan assembly	
Fan blade	118U3480	Fan blade	
Fan blade	118U3481	Fan blade	
Fan capacitor	118U3296	1,8 µF	
Fan capacitor	118U3297	3,5 µF	
Fan cowl/grill	118U3483	Å, 356 mm	
Fan cowl/grill	118U3484	Å, 457 mm	
Fan cowl/grill	118U3485	Å, 609 mm	
Fan motor (Capacitor not included)	118U3477	25 W	
Fan motor (Capacitor not included)	118U3823	68 W	
Filter drier	023Z5039	DML082	
Filter drier	023Z5040	DML083	
Filter drier	023Z5041	DML084	
Filter drier	023Z5044	DML164	
Filter drier	023Z5045	DML165	
Filter drier	023Z5046	DML 166	
High-pressure switch	118U3718	ACB-2UB463W	
Liquid valve	009G7050	GBC 6s Ball Valve M/25	
Liquid valve	009G7051	GBC 10s	
Liquid valve	009G7052	GBC 12s Ball Valve M/25	
Liquid valve	009G7053	Liquid line valve	
Liquid valve	009G7054	Suction line valve	
Lon-Bus COM Module	084B8579	EKA175	
Low-pressure switch	118U3720	ACB-2UA418W	
Main switch kit	118U3855	MS132 - 25	
Main switch kit	118U3856	MS132 - 32	
Main switch kit	118U3857	MS450 - 40	
MODBUS COM Module	084B8571	EKA178B	
Mounting kit for EKA Display	084B8584	EKA Accessory	
MPCB	118U3851	MPCB, ABB-MS116-10+HK1-12	
MPCB	118U3852	MPCB, ABB-MS116-16+HK1-12	
MPCB	118U3853	MPCB, ABB-MS116-6.3+HK1-12	
MPCB	118U3854	MPCB, ABB-MS132-20+HK1-12	
Oil	-	POE32 for Light Commercial (MLY / MPT)	
Oil	-	RL32HA/HT for light Commercial (CAJ/FH/TAJ/TFH)	
Oil	120Z0638	1 litre can of 175PZ - POE (NTZ Platform)	CU with a SN above 051220CG3016
Oil	120Z0639	2,5 litre can of 175PZ - POE (NTZ Platform)	CU with a SN above 051220CG3016
Oil	120Z0648	1 litre can of 215PZ - POE46 (MLZ & LLZ Platform)	CU with a SN above 051220CG3016
Optyma Plus Controller	118U3465	OP+ controller	
Programming Key	084B8582	AKA183A	
Receiver	118U3474	1,3 L	
Receiver	118U3475	3,4 L	
Receiver	118U3476	6,2 L	
Receiver	118U3716	10 L	
Run capacitor	7701035	PSC starting kit, 30 ÅµF, 15 ÅµF	
Run capacitor	8173231	Run capacitor 440V, 40 µF	
Run capacitor	8173233	Run capacitor 440V,50 µF	

Component type	Component code	Component description	Additional informations
Run capacitor	8173234	Run capacitor 440V,55 µF	
Run capacitor	120Z0051	Run capacitor 70 µF	
Sight glass	014L0172	SGP 10 N	
Sight glass	014L0173	SGP 12 N	
Sight glass	014L0174	SGP 16 N	
Sight glass	014L0175	SGP 19 N	
Sight glass	014L0181	SGP 6s N	
Sight glass	014L0182	SGP 10s N	
Starting capacitor	117U5012	Start capacitor 125 µF, 220V - SC	
Starting capacitor	117U5017	Start capacitor 80 µF, 220V - SC	
Starting capacitor	117U5018	Start capacitor 125 µF, 220V - NF,NL	
Starting capacitor	120Z0040	Start capacitor 161-193 µF	
Starting capacitor	120Z0399	Start capacitor 145-175 µF	
Starting relay	8173022	Starting relay type RVA-6AMKL/3ARR3J4A4	
Starting relay	117U4139	RELAY ASSY. HST - "MRP56EN-6;117U2121	
Starting relay	117U6011	Starting Relay SC	
Starting relay	117U6013	Starting Relay	
Starting relay	120Z0393	Starting relay type RVA9CKL/3ARR3J4A4	
Starting relay	120Z0394	Starting relay type RVA3EKL/3ARR3J24P4	
Starting relay	120Z0395	Starting relay type RVA4GKL/3ARR3J25S4	
Relay	117-7027	SC-RELAY	
Suc & Amb temp sensor	084N0003	AKS11	
Suction pressure sensor	118U3721	AKS 32R -1...12 bar	
Suction valve	009G7055	GBC 22s Ball Valve M/25	
Suction valve	009G7056	GBC 28s Ball Valve M/5	

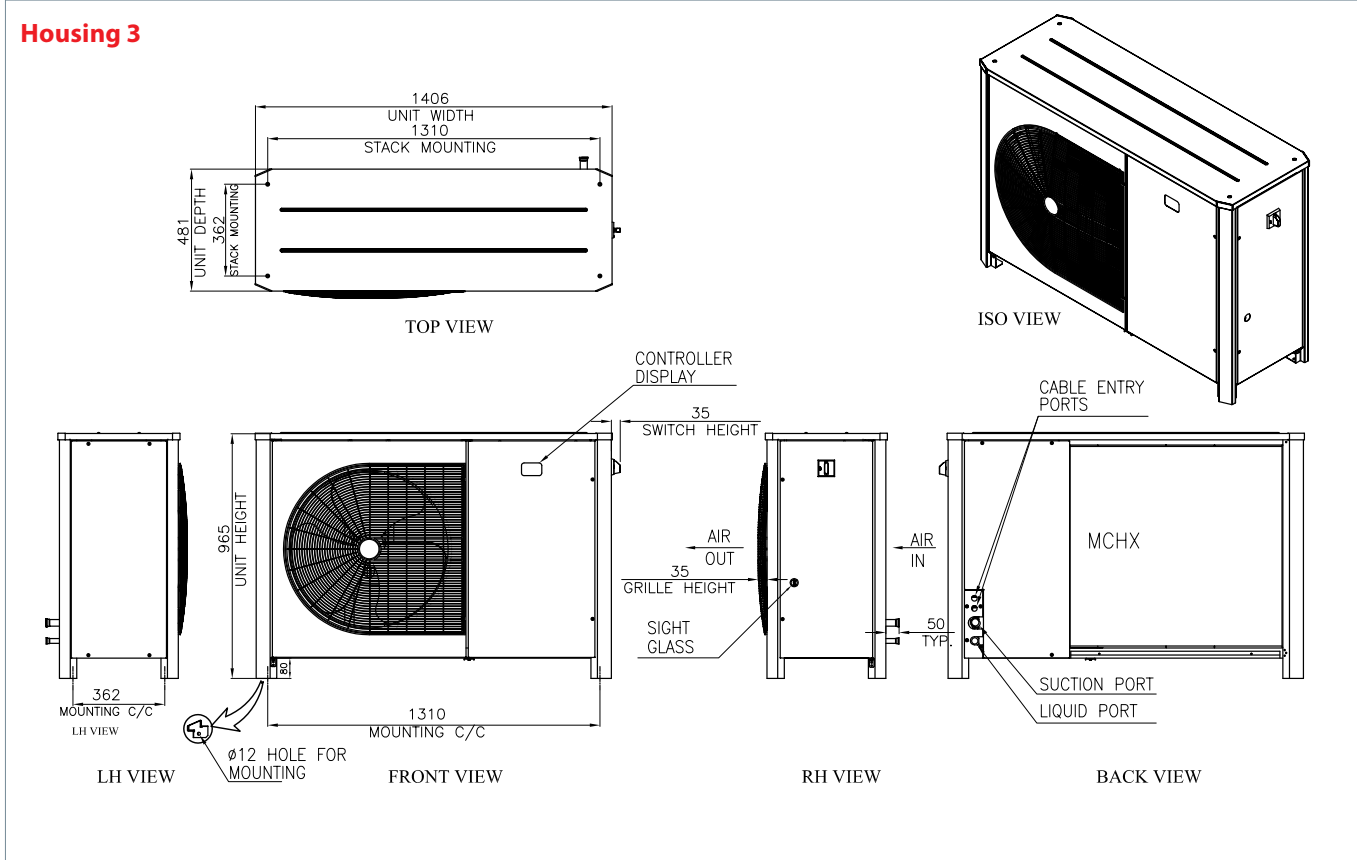
**Housing 1**



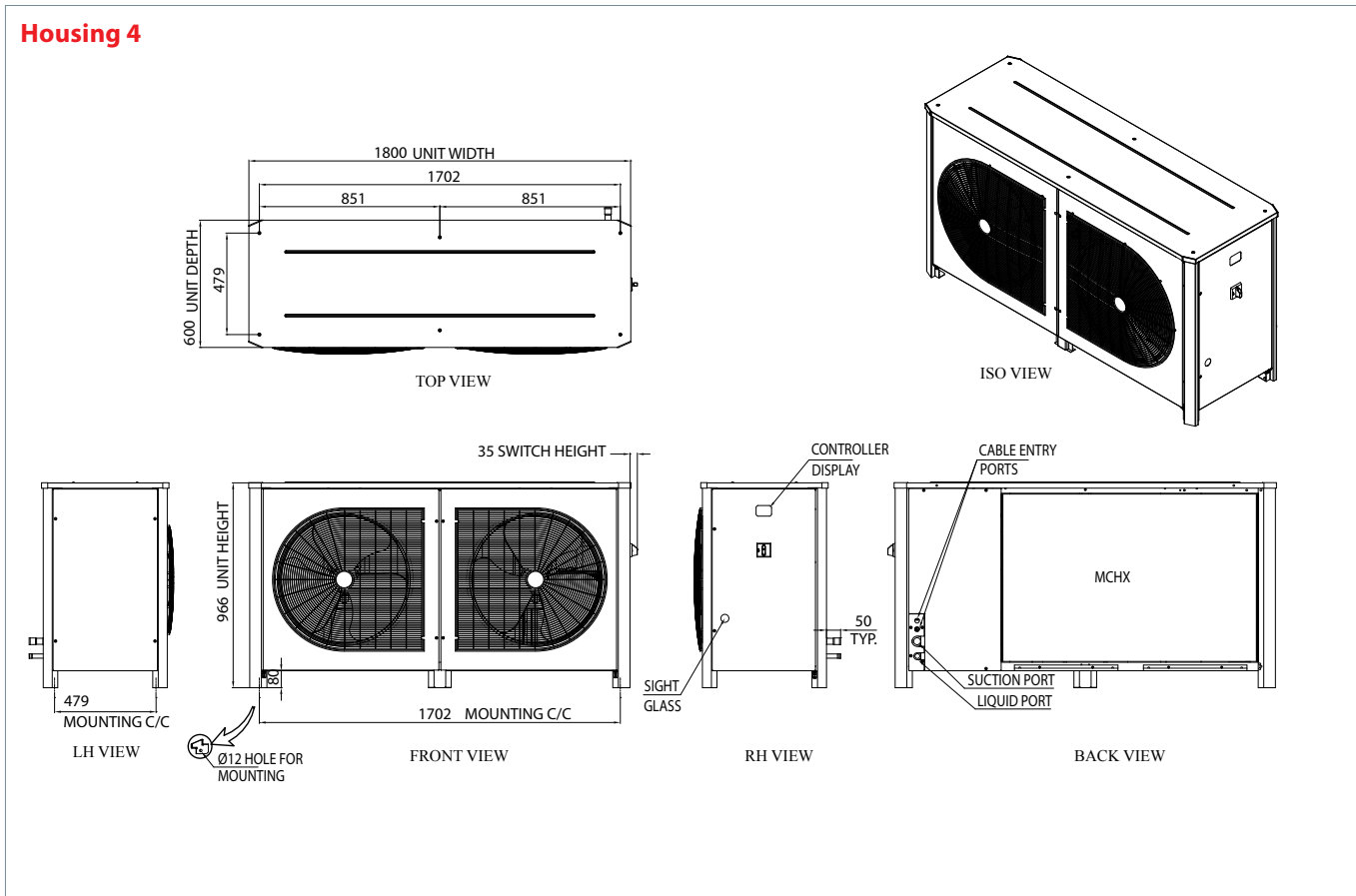
**Housing 2**



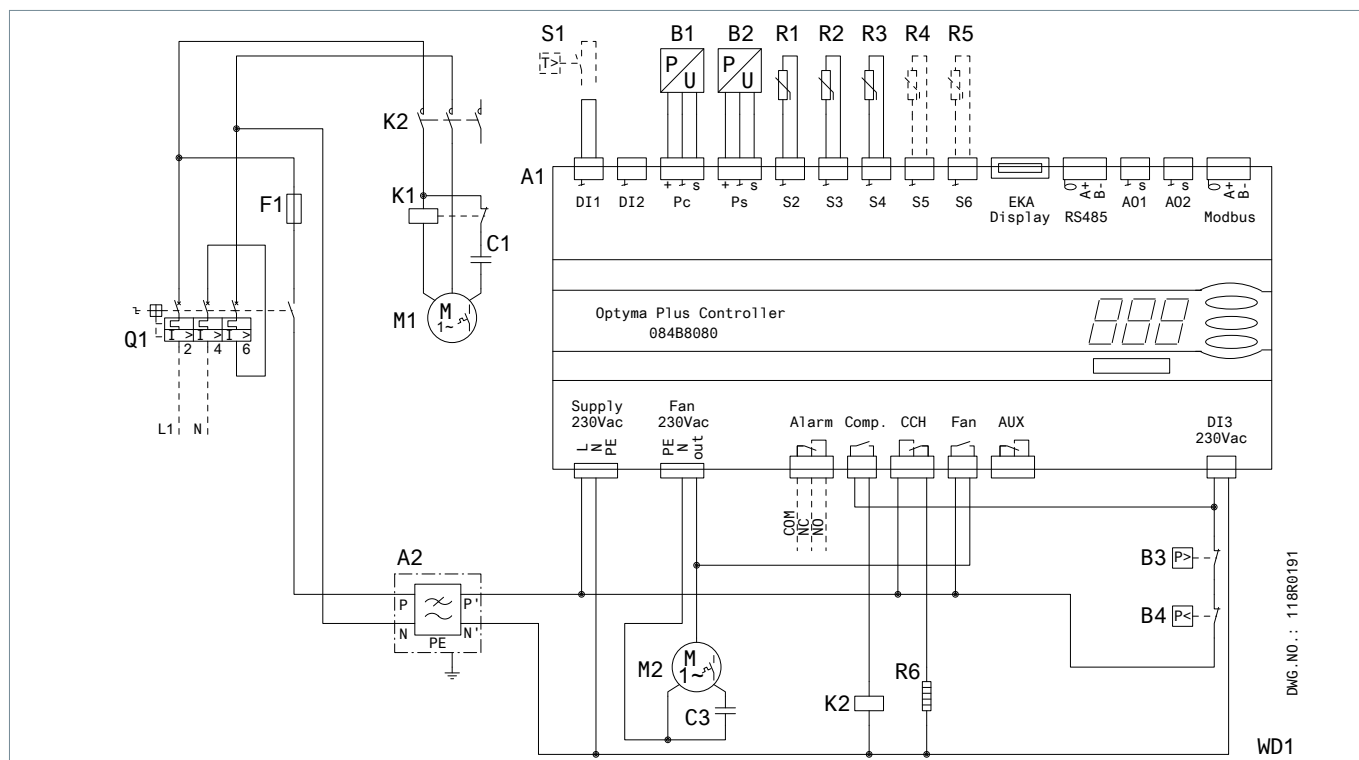
Housing 3



Housing 4



Code G : OP- LPHM018 & OP-MPHM007-010-012-015



**A1** : Optyma™ Plus Controller

**A2** : EMI Filter

**B1** : Condensing Pressure Transducer

**B2** : Suction Pressure Transducer

**B3** : High Pressure Switch

**B4** : Low Pressure Switch

**C1** : Start Capacitor (Compressor)

**C3** : Run Capacitor (Fan)

**F1** : Fuse (Control Circuit)

**K1** : Start Relay

**K2** : Contactor

**M1** : Compressor

**M2** : Fan Motor

**Q1** : Main Switch

**R1** : Ambient Temp. Sensor

**R2** : Discharge Temp. Sensor

**R3** : Suction Temp. Sensor

**R4,R5** : Auxiliary Temp. Sensor (optional)

**R6** : Cranks case heater

**S1** : Room Thermostat (optional)

**Supply** : Supply

**Fan** : Fan

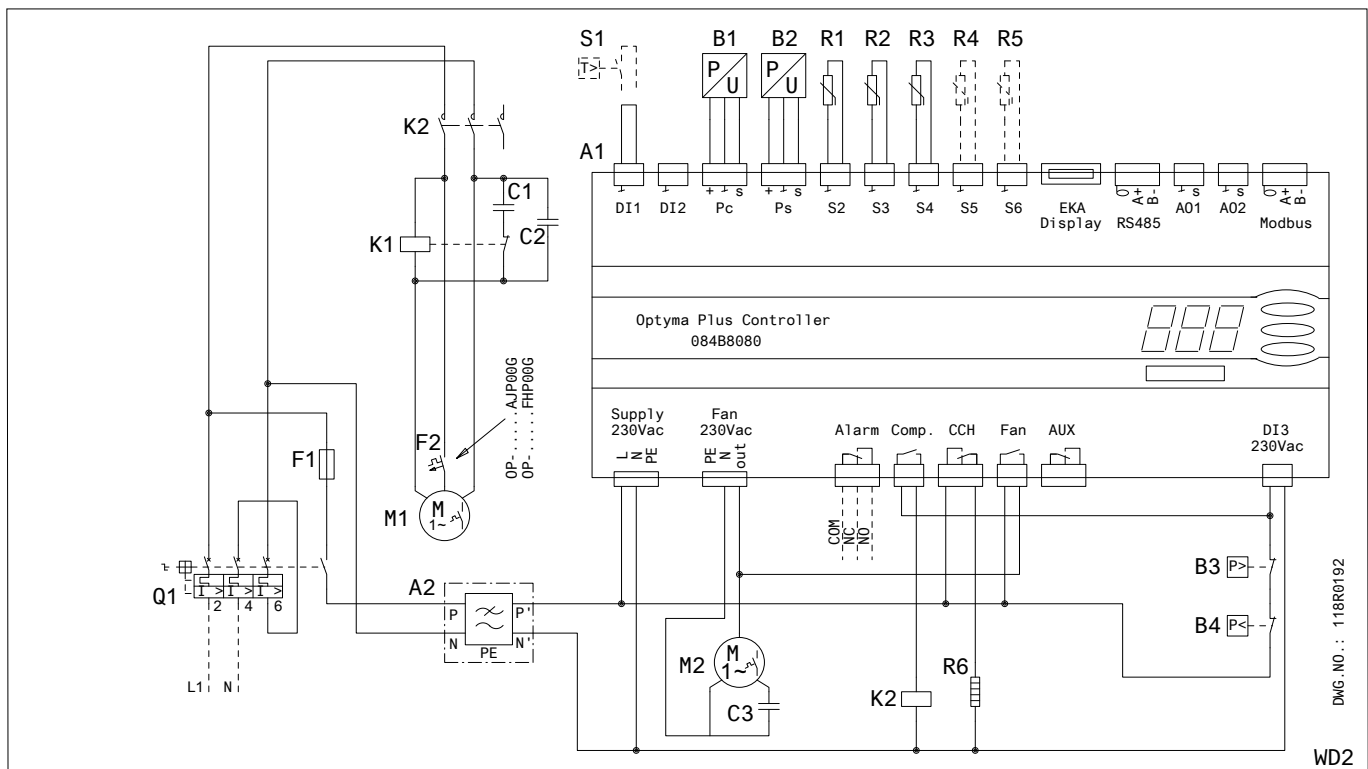
**Alarm** : Alarm

**Comp.** : Compressor

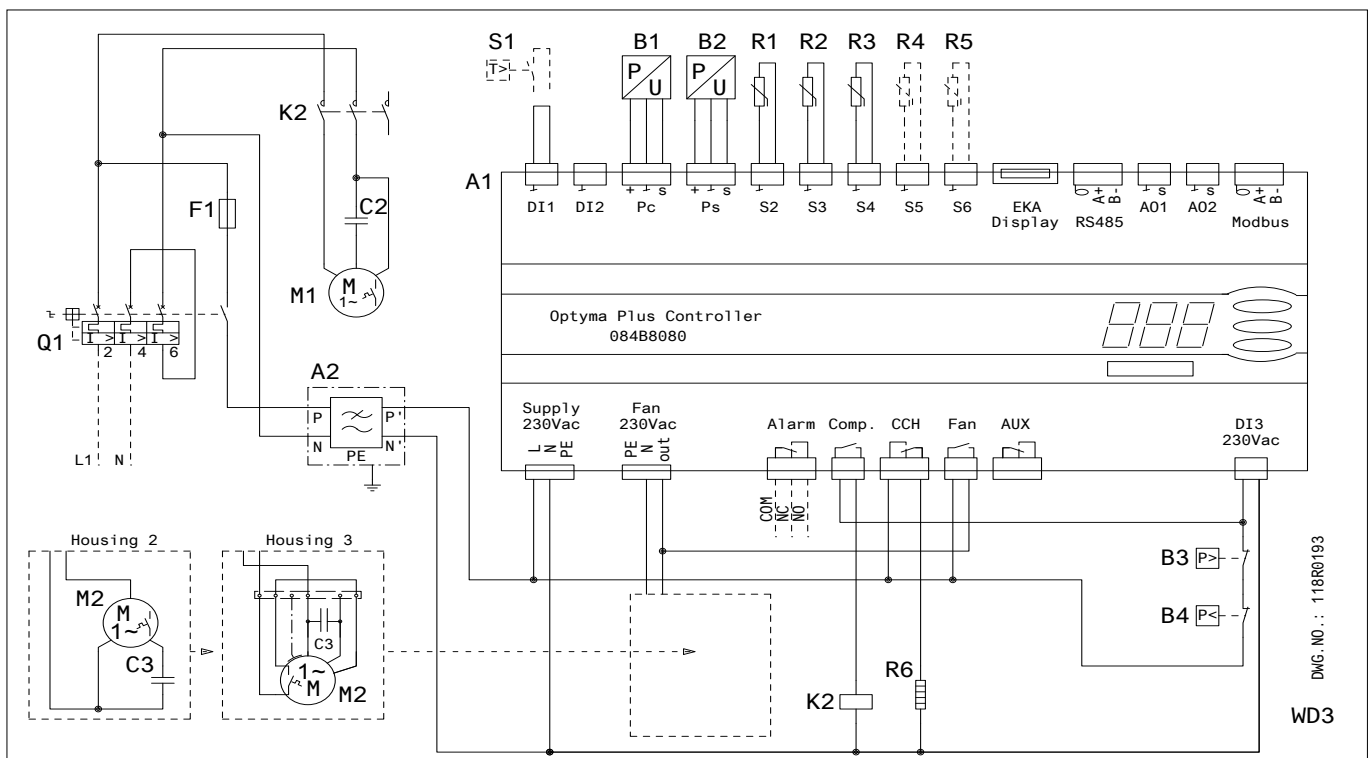
**CCH** : Cranks case Heater

**Aux** : Auxiliary

Code G : OP-LPQM026-048-068-074 & OP-MPHM018-026-034, OP-MPGM033-34 & OP-LPHM026, OP-MPYM018-024-026-034

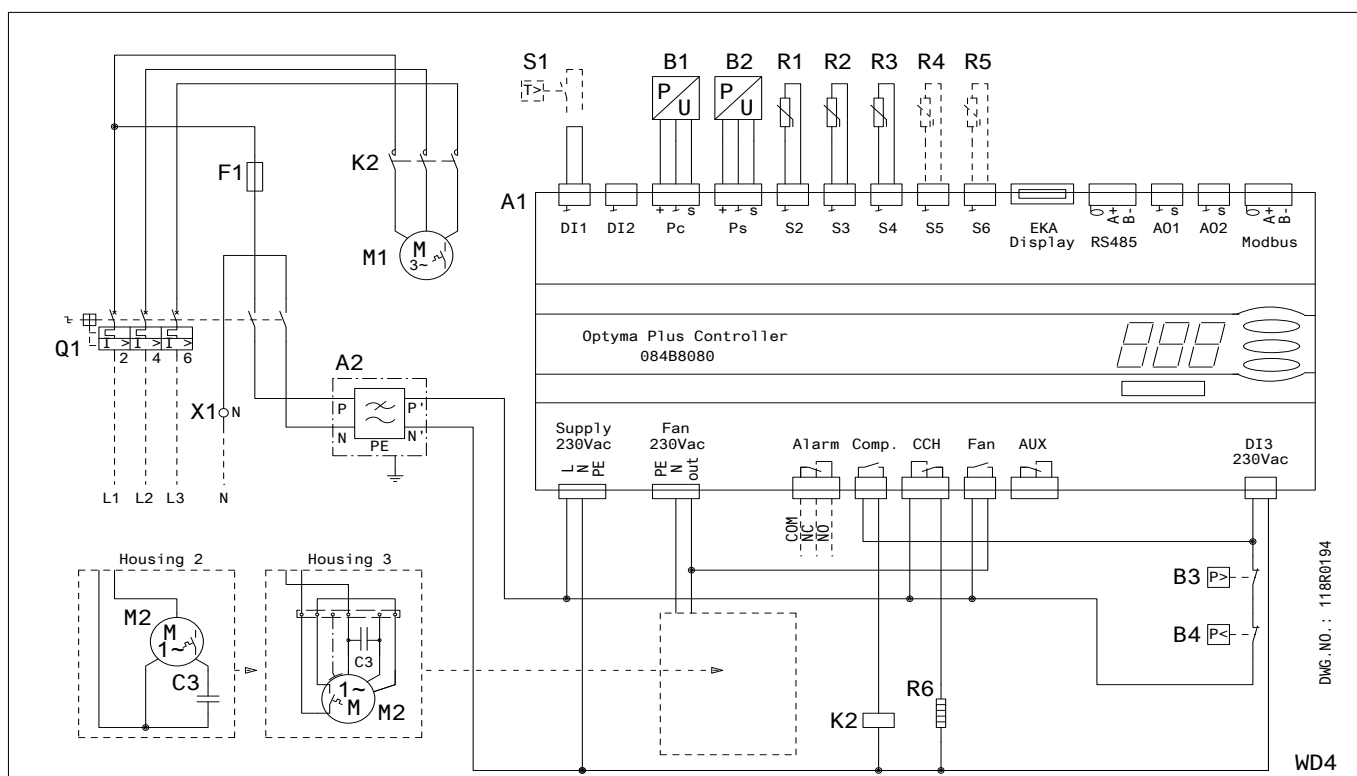


Code G : OP-MPXM034-046-057-068-080

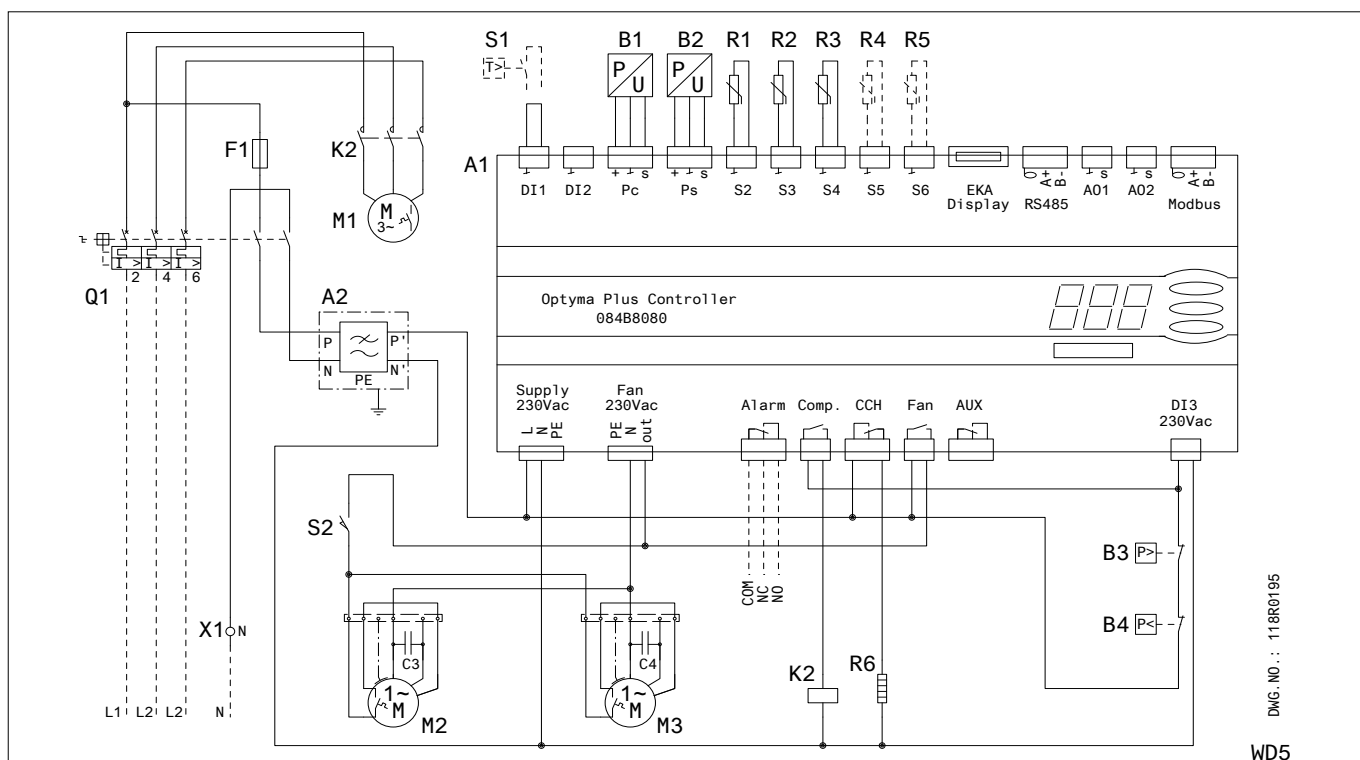


- |  |                                    |  |                               |
|--|------------------------------------|--|-------------------------------|
| <b>A1</b> : Optyma™ Plus Controller        | <b>C3</b> : Run Capacitor (Fan)    | <b>R1</b> : Ambient Temp. Sensor                 | <b>Supply</b> : Supply        |
| <b>A2</b> : EMI Filter                     | <b>F1</b> : Fuse (Control Circuit) | <b>R2</b> : Discharge Temp. Sensor               | <b>Fan</b> : Fan              |
| <b>B1</b> : Condensing Pressure Transducer | <b>F2</b> : Motor Protector        | <b>R3</b> : Suction Temp. Sensor                 | <b>Alarm</b> : Alarm          |
| <b>B2</b> : Suction Pressure Transducer    | <b>K1</b> : Start Relay            | <b>R4,R5</b> : Auxiliary Temp. Sensor (optional) | <b>Comp.</b> : Compressor     |
| <b>B3</b> : High Pressure Switch           | <b>K2</b> : Contactor              | <b>R6</b> : Crankcase Heater                     | <b>CCH</b> : Crankcase Heater |
| <b>B4</b> : Low Pressure Switch            | <b>M1</b> : Compressor             |  | <b>Aux</b> : Auxiliary        |
| <b>C1</b> : Start Capacitor (Compressor)   | <b>M2</b> : Fan Motor              |  |                               |
| <b>C2</b> : Run Capacitor (Compressor)     | <b>Q1</b> : Main Switch            | <b>S1</b> : Room Thermostat (optional)           |                               |

Code E : OP-LPQM048-068-074-096-136 & OP-MPXM034-046-057-068-080-108



Code E : OP-LPQM215-271 & OP-MPXM125-162



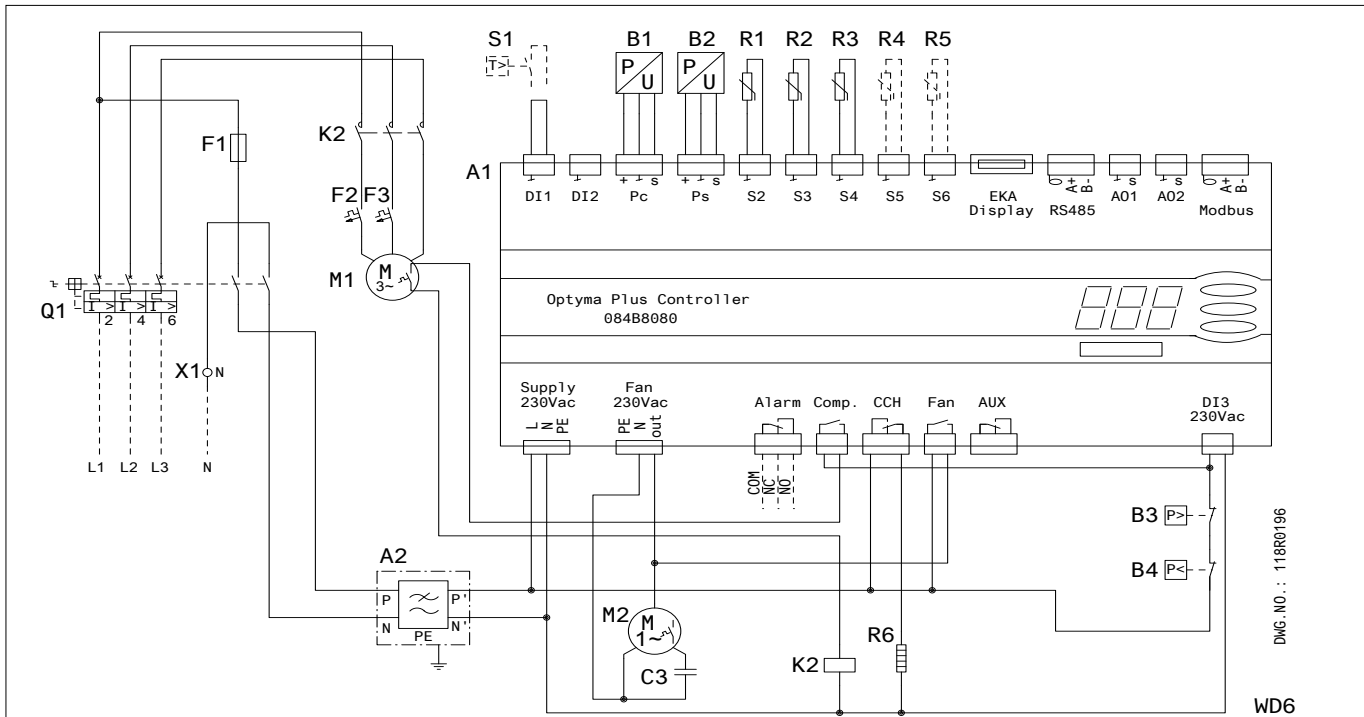
**A1** : Optima™ Plus Controller  
**A2** : EMI Filter  
**B1** : Condensing Pressure Transducer  
**B2** : Suction Pressure Transducer  
**B3** : High Pressure Switch  
**B4** : Low Pressure Switch  
**C3** : Run Capacitor (Fan 1)  
**C4** : Run Capacitor (Fan 2)

**F1** : Fuse (Control Circuit)  
**K2** : Contactor  
**M1** : Compressor  
**M2** : Fan Motor 1  
**M3** : Fan Motor 2  
**Q1** : Main Switch  
**R1** : Ambient Temp. Sensor  
**R2** : Discharge Temp. Sensor

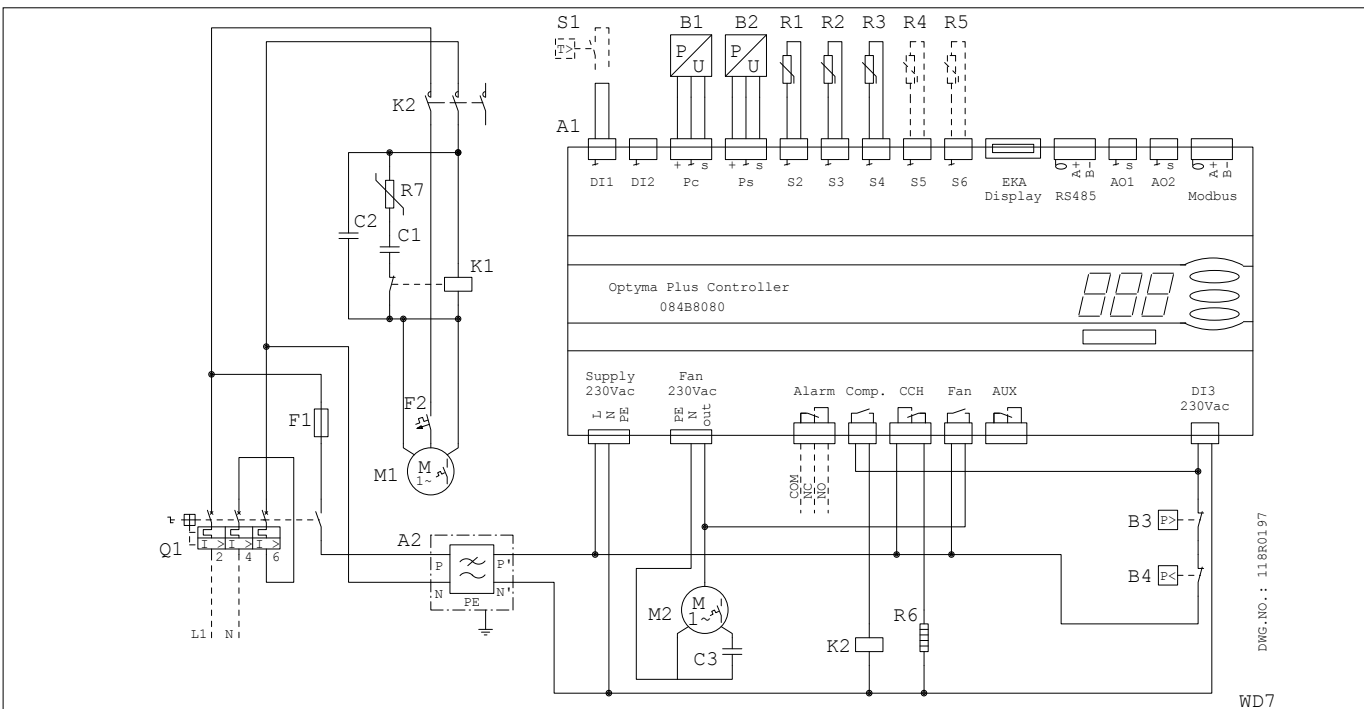
**R3** : Suction Temp. Sensor  
**R4,R5** : Auxiliary Temp. Sensor (optional)  
**R6** : Crankcase Heater  
**S1** : Room Thermostat (optional)  
**S2** : Door Limit Switch  
**X1** : Terminal

**Supply** : Supply  
**Fan** : Fan  
**Alarm** : Alarm  
**Comp.** : Compressor  
**CCH** : Crankcase Heater  
**Aux** : Auxiliary

**Code E : OP-MPYM026-034**



**Code G : OP-LPQM017 & OP-MPYM008-009-012-014**



**A1 :** Optyma™ Plus Controller

**A2 :** EMI Filter

**B1 :** Condensing Pressure Transducer

**B2 :** Suction Pressure Transducer

**B3 :** High Pressure Switch

**B4 :** Low Pressure Switch

**C1 :** Start Capacitor (Compressor)

**C2 :** Run Capacitor (Compressor)

**C3 :** Run Capacitor (Fan)

**F1 :** Fuse (Control Circuit)

**F2,F3 :** Motor protector

**K1 :** Start Relay

**K2 :** Contactor

**M1 :** Compressor

**M2 :** Fan Motor

**Q1 :** Main Switch

**R1 :** Ambient Temp. Sensor

**R2 :** Discharge Temp. Sensor

**R3 :** Suction Temp. Sensor

**R4,R5 :** Auxiliary Temp. Sensor (optional)

**R6 :** Crankcase Heater

**R7 :** NTC Resistor

**S1 :** Room Thermostat (optional)

**X1 :** Terminal

**Supply :** Supply

**Fan :** Fan

**Alarm :** Alarm

**Comp. :** Compressor

**CCH :** Crankcase Heater

**Aux :** Auxiliary



# Danfoss Commercial Compressors

is a worldwide manufacturer of compressors and condensing units for refrigeration and HVAC applications. With a wide range of high quality and innovative products we help your company to find the best possible energy efficient solution that respects the environment and reduces total life cycle costs.

We have 40 years of experience within the development of hermetic compressors which has brought us amongst the global leaders in our business, and positioned us as distinct variable speed technology specialists. Today we operate from engineering and manufacturing facilities spread across three continents.



Danfoss Scrolls



Danfoss Inverter Scrolls



Danfoss Turbocor Compressors



Danfoss Light Commercial Refrigeration Compressors



Danfoss Maneurop Reciprocating Compressors



Danfoss Optyma Condensing Units

Our products can be found in a variety of applications such as rooftops, chillers, residential air conditioners, heatpumps, coldrooms, supermarkets, milk tank cooling and industrial cooling processes.

<http://cc.danfoss.com>

Danfoss Commercial Compressors, BP 331, 01603 Trévoux Cedex, France | +334 74 00 28 29



Danfoss can accept no responsibility for possible errors in catalogues, brochures and other printed material. Danfoss reserves the right to alter its products without notice. This also applies to products already on order provided that such alterations can be made without subsequential changes being necessary in specifications already agreed. All trademarks in this material are property of the respective companies. Danfoss and the Danfoss logotype are trademarks of Danfoss A/S. All rights reserved.