



PROM with extended alarm functions

For Gateway type
AKA 243 / 244

See also literature RS.8A.A

General

This software is another version of the software in a standard gateway type AKA 243 and AKA 244. Most of the functions are identical, but there are some deviations. They are described below.

The software has been entered in the supplied PROM's. These PROM's are to be mounted in the gateway instead of the existing ones. There are two sets. One is for AKA 243, the other for AKA 244.

The AKA 243 set has code number **084B2288**

The AKA 244 set has code number **084B2287**

Limitation

The alarm function has been changed so that both relay outputs are used by the alarm function. This means that the gateway cannot be used as modem or MSS gateway.

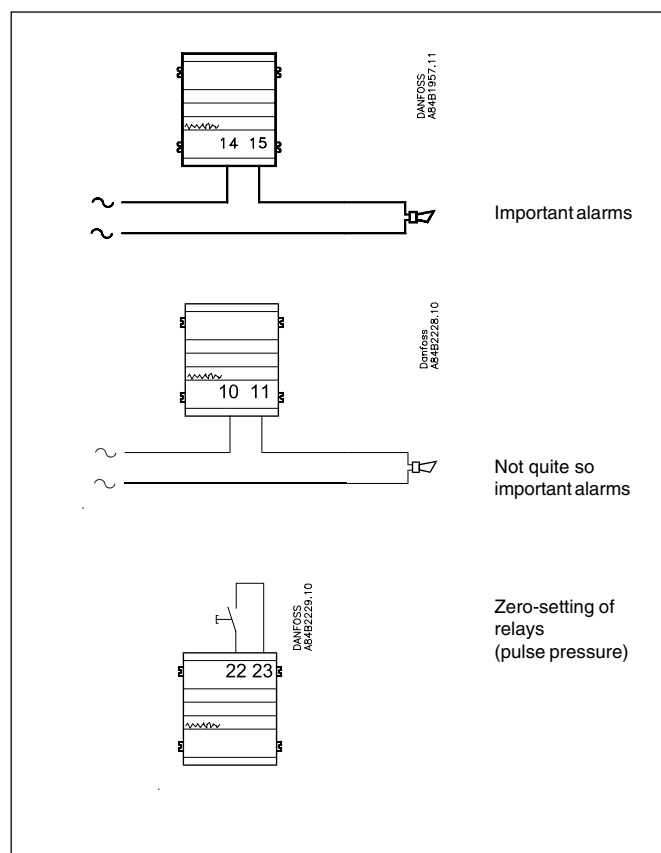
Functions

The alarm relay will be activated when an alarm occurs, and it will remain activated for as long as the alarm is active.

- Relay DO2 will give alarm when the gateway receives alarms of the "Status 1" type (important alarms)
- Relay DO1 will give alarm when the gateway receives alarms of the "Status 2" type (not quite so important alarms)

Zero-setting of alarm relays

- When input DI2 is short-circuited, relays "DO1" and "DO2" will be operated. In other words, there will be no alarm indication via the relays.
- The alarm list in the gateway is not affected by this zero-setting.
- A new alarm will reactivate the relay.



Location

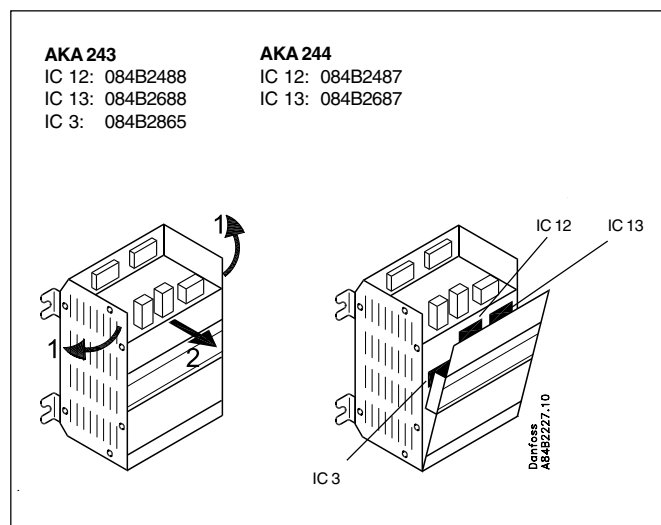
The location of the PROM on the gateway's printed circuit board is as shown. An identity number is printed on each PROM.

IC 3:

AKA 243 only.

If the fitted IC 3 is with the same software version as the supplied one, it will not be necessary to exchange it.

When PROM's are exchanged, beware of static electricity.



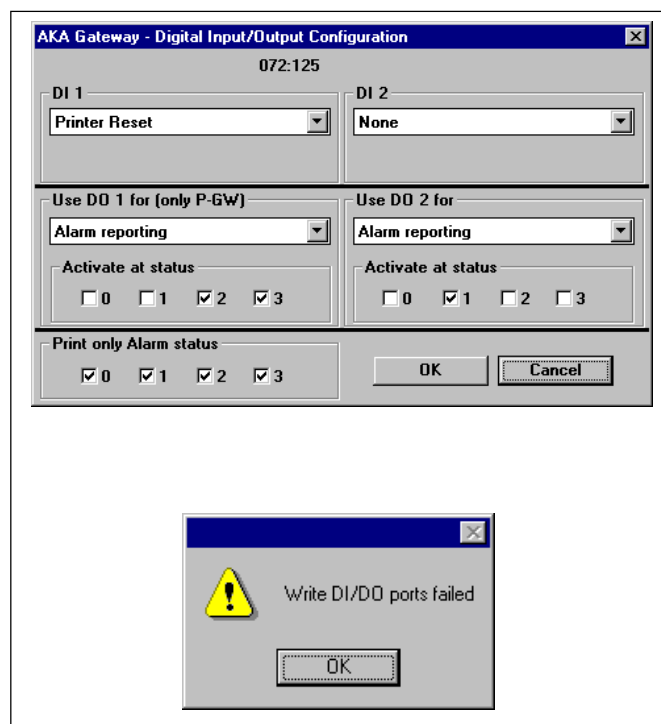
Configuration

The settings for the inputs and outputs are fixed and cannot be changed. For your information, the settings are as follows:

- "DI 2" is set to "NONE", but the function that zero-sets the relays is active.
- "DO 1" is set to "Alarm reporting", and "Status 2" and "Status 3" are marked with a X.
- "DO 2" is set to "Alarm reporting", and "Status 1" is marked with a X.
- The printer settings "DI 1" and "Print only Alarm Status" are also fixed, as shown.

If attempts are made to change the settings, a message will appear to the effect that this is not possible.

All other settings of the gateway must be made as described in the Gateway Manual and in the AKM Manual.





Danfoss can accept no responsibility for possible errors in catalogues, brochures and other printed material. Danfoss reserves the right to alter its products without notice. This also applies to products already on order provided that such alternations can be made without subsequential changes being necessary in specifications already agreed. All trademarks in this material are property of the respective companies. Danfoss and Danfoss logotype are trademarks of Danfoss A/S. All rights reserved.

