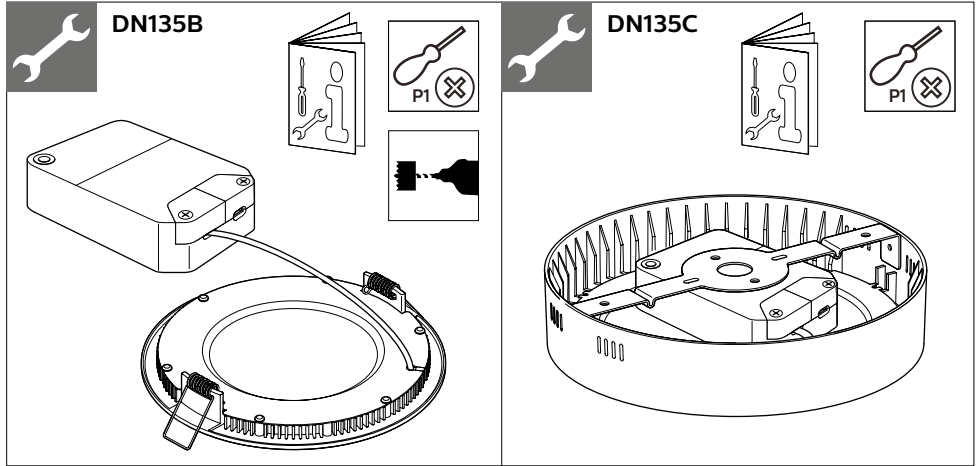


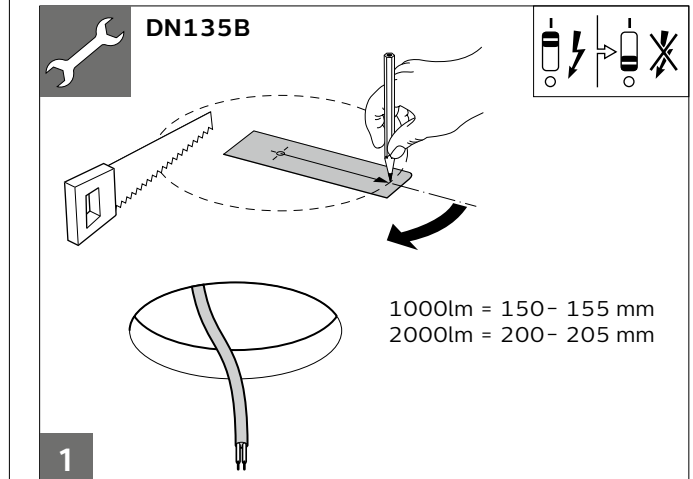
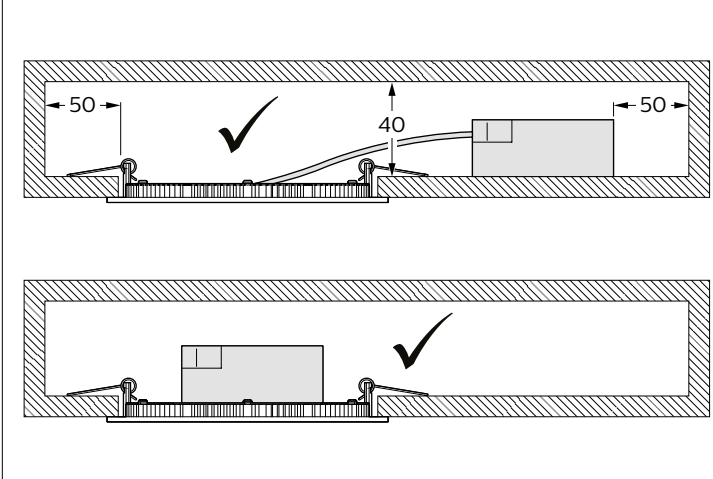
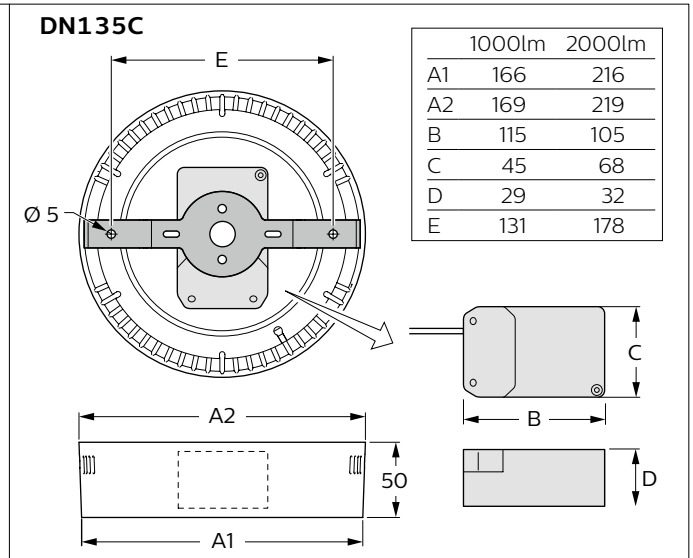
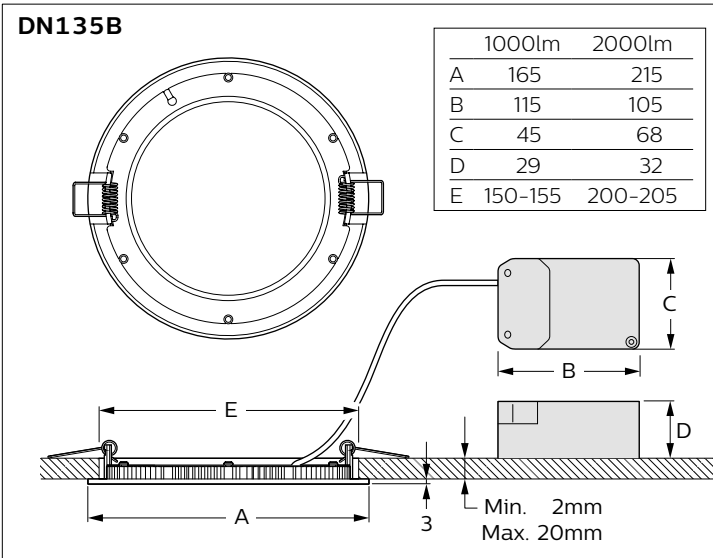
# PHILIPS

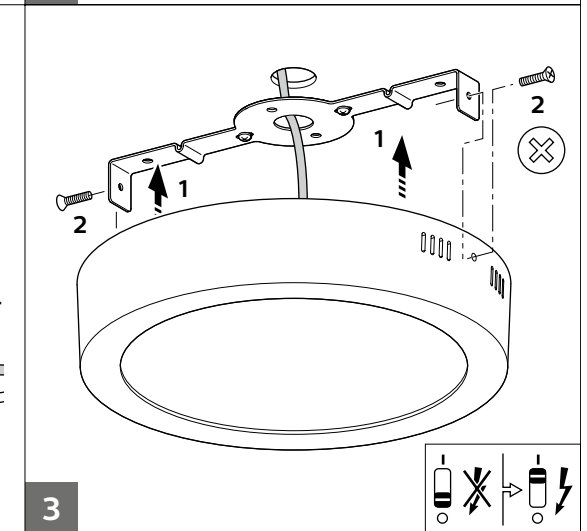
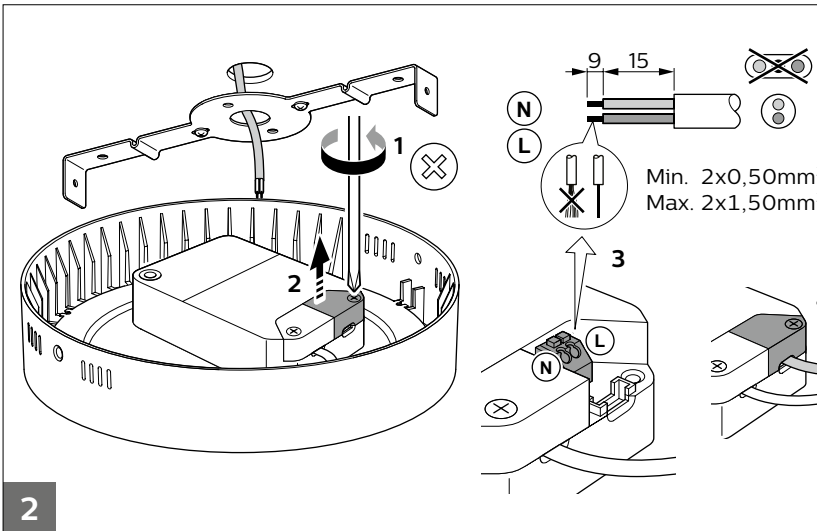
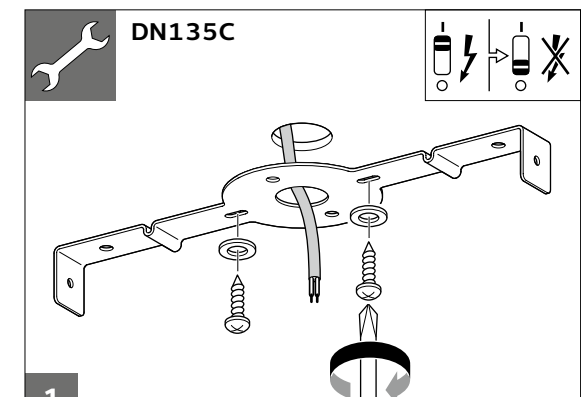
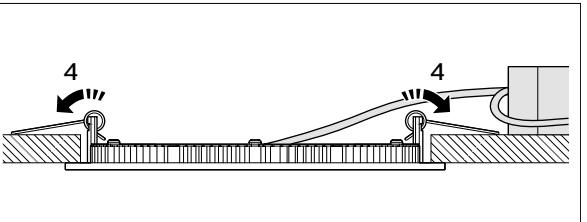
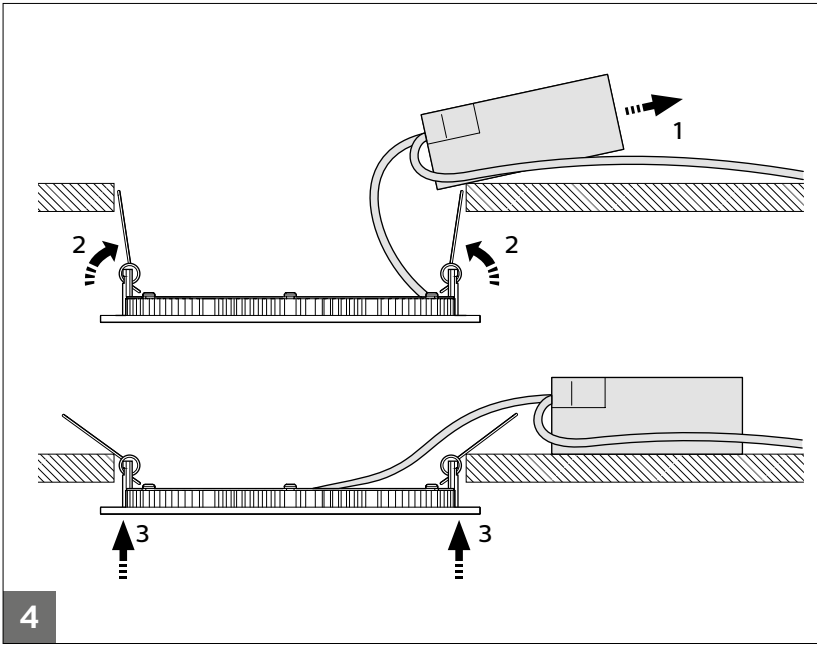
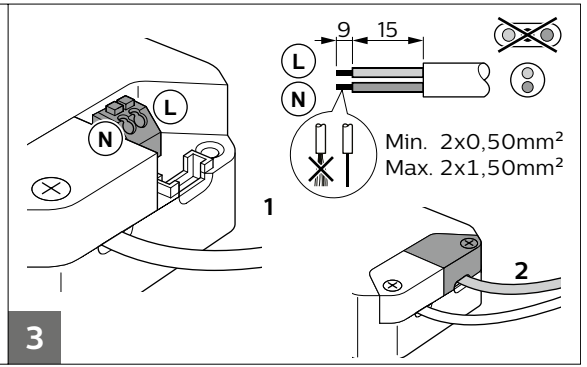
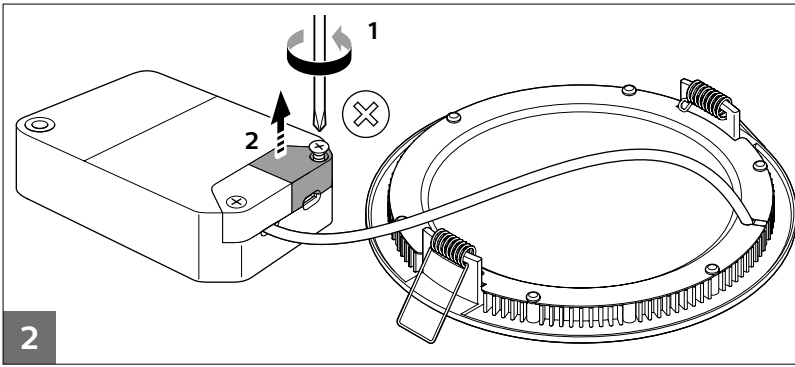
## CoreLine SlimDownlight

### DN135

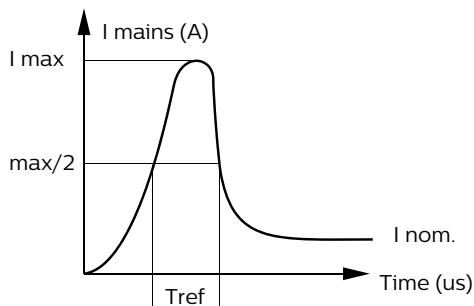


	System lumen(lm)	CCT(K)	Driver	P (W)	Ø mm	kg
DN135B LED10S	1000	3000/4000	PSU	13.5	150-155	0.300
DN135B LED20S	2000	3000/4000	PSU	28.0	200-205	0.600
DN135C LED10S	1000	3000/4000	PSU	13.5	-	0.525
DN135C LED20S	2000	3000/4000	PSU	28.0	-	0.850





**Inrush current**



	1000lm	2000lm
Electrical characteristics		
I <sub>max</sub> (A)	3.4	17
T <sub>ref</sub> (μs)	29	250
MCB Downlights Max.		
B- 10 A	153	71
B- 13 A	199	93
B- 16 A	245	115
C- 10 A	153	71
C- 13 A	199	93
C- 16 A	245	115