

APPLICATION

Separable straight connector designed to connect polymeric insulated cable to equipment (transformers, switchgear, motors...).

Also connects cable to cable, using the appropriate mating part.

TECHNICAL CHARACTERISTICS

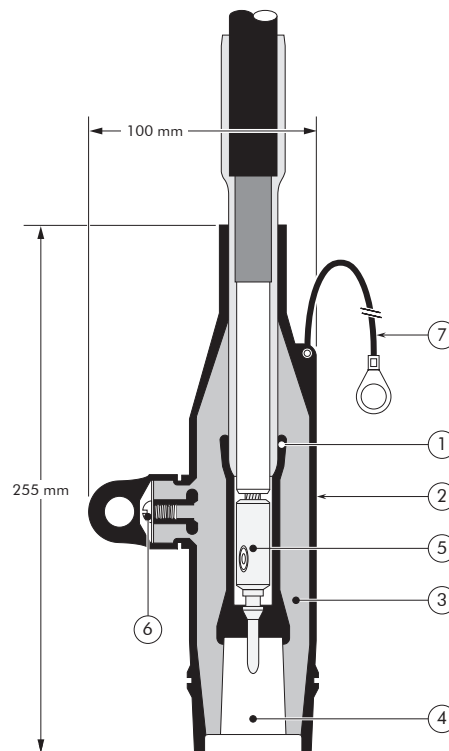
- The thick conductive EPDM jacket provides a total safe to touch screen which ensures safety for personnel.
- Each separable connector is tested for AC withstand and partial discharge prior to leaving the factory.



DESIGN

Separable connector comprising:

1. Conductive EPDM insert.
2. Conductive EPDM jacket.
3. Insulating EPDM layer moulded between the insert and the jacket.
4. Type A - 250 A interface as described by CENELEC EN 50180 and 50181.
5. Conductor connector.
6. Voltage test point.
7. Earthing lead (-/G version only).



6/10 (12) kV
6.35/11 (12) kV
8.7/15 (17.5) kV
12/20 (24) kV
12.7/22 (24) kV

Up to 24 kV - 250 A

EUROMOLD®

SPECIFICATIONS AND STANDARDS

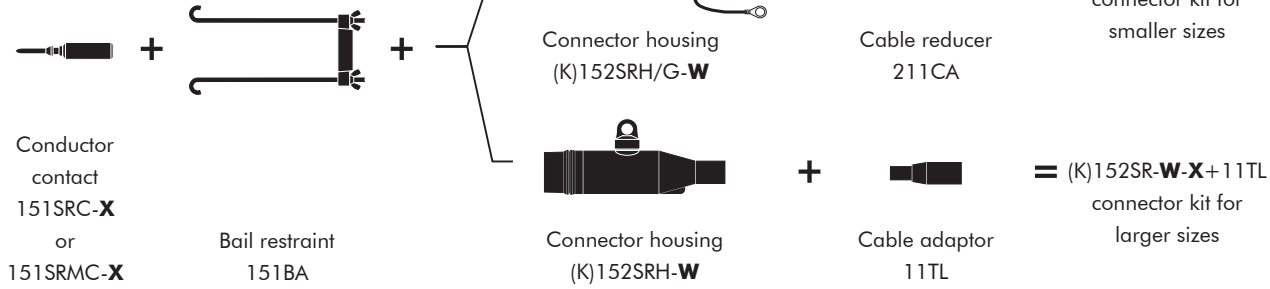
The separable connector 152SR meets the requirements of CENELEC HD 629.1.

Separable connector type	Voltage U_m (kV)	Current I_r (A)	Conductor sizes (mm ²)	
			min	max
152SR/G	12	250	16	70
152SR	12	250	70	95
K152SR/G	24	250	16	25
K152SR	24	250	25	95

05/2017

KIT CONTENTS

The complete (K)152SR or (K)152SR/G straight connector kit comprises the following components:



The kit also comprises lubricant, wipers, installation instructions and crimp chart.

ORDERING INSTRUCTIONS

Select the part number which gives the best centring to the cable core insulation diameter and substitute **X** using table X, according to the conductor size and type.

Add a 'K' for use up to 24 kV.

EXAMPLE:

The copper wire screened cable is 24 kV, 50 mm² stranded aluminium with a diameter over core insulation of 20.4 mm. Order a K152SR-FG-50(K)M-12-2+11TL straight connector kit.

For an option with a bolted conductor contact, specify the ordering part number below.

TABLE W

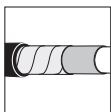
Ordering part number	Dia. over core insulation (mm)	
	min	max
152SR/G-11-X	12.6	16.1
152SR/G-13-X	14.6	18.7
152SR-FB-X+11TL	17.5	20.2
152SR-FG-X+11TL	18.4	21.2
152SR-GA-X+11TL	19.7	22.5
152SR-GAB-X+11TL	21.0	23.8
152SR-GH-X+11TL	23.6	26.4

TABLE X

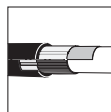
Conductor sizes (mm ²)	Aluminium		Copper
	DIN hexagonal	Deep indent	DIN hexagonal
16	-	-	16(K)M-11-2
25	25(K)M-12-2	25KM-12-1	25(K)M-11-2
35	35(K)M-12-2	35KM-12-1	35(K)M-11-2
50	50(K)M-12-2	50(K)M-12-1*	50(K)M-11-2
70	70(K)M-12-2	70(K)M-12-1*	70(K)M-11-2
95	95(K)M-12-2*	95(K)M-12-1*	95(K)M-11-2*

* The 152SR-FB is not compatible with these conductor contacts.

Ordering part number	Dia. over core insulation (mm)	Conductor sizes (mm ²)
152SR/G-13-25.95-14-5	14.6 - 22.7	35 - 70
152SR-GAS-50.95-14-5+11TL	19.7 - 25.4	25 - 95



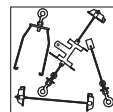
For use with copper tape screened cables. Order: Kit MT.



For use with Alupe or C 33-226 cables. Please contact our representative.



For use with other cable types. Please contact our representative.



For adapted bail restraints: see 'Bail restraints and typical applications'.



For outdoor applications. Order: +MWS.



Components can be ordered individually.