

158LR

INTERFACE A ELBOW CONNECTOR

APPLICATION

Separable elbow connector designed to connect polymeric insulated cable to equipment (transformers, switchgear, motors...).

Also connects cable to cable, using the appropriate mating part.

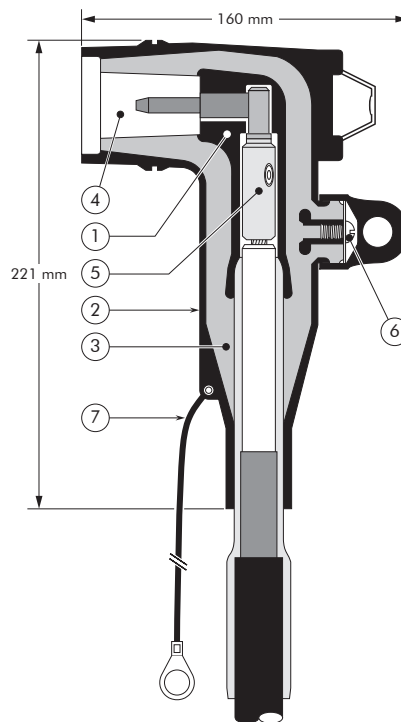
DESIGN

Separable connector comprising:

1. Conductive EPDM insert.
2. Conductive EPDM jacket.
3. Insulating EPDM layer moulded between the insert and the jacket.
4. Type A - 250 A interface as described by CENELEC EN 50180 and 50181.
5. Conductor connector.
6. Voltage test point.
7. Earthing lead (-/G version only).

TECHNICAL CHARACTERISTICS

- The thick conductive EPDM jacket provides a total safe to touch screen which ensures safety for personnel.
- Each separable connector is tested for AC withstand and partial discharge prior to leaving the factory.



6/10 (12) kV
6.35/11 (12) kV
8.7/15 (17.5) kV
12/20 (24) kV
12.7/22 (24) kV

Up to 24 kV - 250 A

EUROMOLD®

SPECIFICATIONS AND STANDARDS

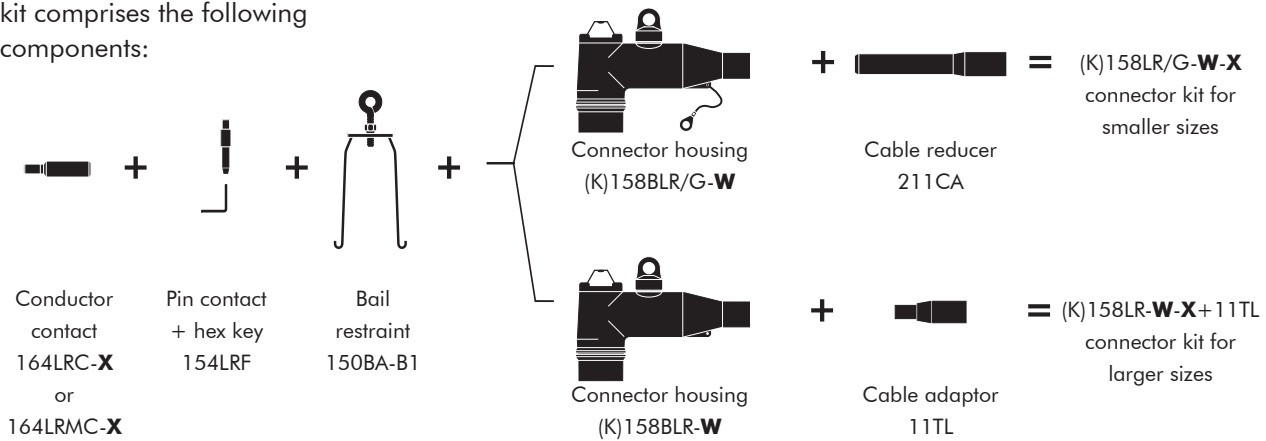
The separable connector 158LR meets the requirements of CENELEC HD 629.1.

Separable connector type	Voltage U_m (kV)	Current I_r (A)	Conductor sizes (mm ²)	
			min	max
158LR/G	12	250	16	95
158LR	12	250	70	95
K158LR/G	24	250	16	70
K158LR	24	250	25	95

09/2017

KIT CONTENTS

The complete (K)158LR or (K)158LR/G elbow connector kit comprises the following components:



The kit also comprises lubricant, wipers, installation instructions and crimp chart.

ORDERING INSTRUCTIONS

Select the part number which gives the best centring to the cable core insulation diameter and substitute **X** using table X, according to the conductor size and type. Add a 'K' for use up to 24 kV.

EXAMPLE:

The copper wire screened cable is 24 kV, 50 mm² stranded aluminium with a diameter over core insulation of 20.4 mm. Order a K158LR-FG-50(K)M-12-2+11TL elbow connector kit.

For an option with a bolted conductor contact, specify the ordering part number below.

TABLE W

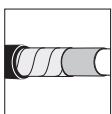
Ordering part number	Dia. over core insulation (mm)	
	min	max
158LR/G-11-X	12.6	16.1
158LR/G-13-X	14.6	18.7
158LR-FB-X+11TL	17.5	20.2
158LR-FG-X+11TL	18.4	21.2
158LR-GA-X+11TL	19.7	22.5
158LR-GAB-X+11TL	21.0	23.8
158LR-GH-X+11TL	23.6	26.4

TABLE X

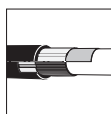
Conductor sizes (mm ²)	Aluminium		Copper
	DIN hexagonal	Deep indent	DIN hexagonal
16	-	-	16(K)M-11-2
25	25(K)M-12-2	25KM-12-1	25(K)M-11-2
35	35(K)M-12-2	35KM-12-1	35(K)M-11-2
50	50(K)M-12-2	50(K)M-12-1*	50(K)M-11-2
70	70(K)M-12-2	70(K)M-12-1*	70(K)M-11-2
95	95(K)M-12-2*	95(K)M-12-1*	95(K)M-11-2*

* The 158LR-FB is not compatible with these conductor contacts.

Ordering part number	Dia. over core insulation (mm)	Conductor sizes (mm ²)
158LR/G-13-25.95-14-5	14.6 - 22.7	35 - 70
158LR-GAS-50.95-14-5+11TL	19.7 - 25.4	25 - 95



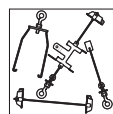
For use with copper tape screened cables. Order: Kit MT.



For use with Alupe or C 33-226 cables. Please contact our representative.



For use with other cable types. Please contact our representative.



For adapted bail restraints: see 'Bail restraints and typical applications'.



For outdoor applications. Order: +MWS.



Components can be ordered individually.