

This is a sample photo.

ORDER SYMBOL: CAB ABS 303018 T

EL.number **EAN:** 6418074020178

Sweden:
Denmark: 8212020537
Finland: 3424357

INCLUDING:

Cabinet body, door with EPDM gasket, hinges, latches, mounting screws, and corner plugs.

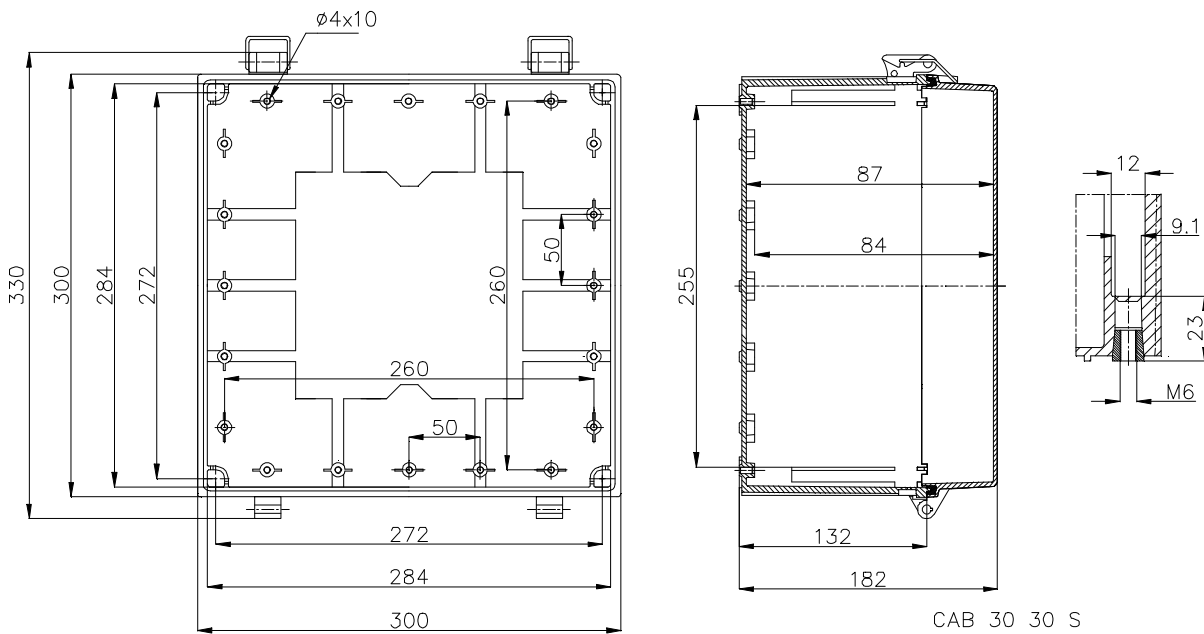
APPROVALS:

USA: NEMA 4, 4X, 12; UL 94-HB

EURO: IP 65; UL 94-HB

OTHERS: IEC 529, EEI

FIBOX CAB ABS



TECHNICAL INFORMATION:

Standard colour: RAL 7035
Ingress protection: IP 65 (IEC 529, EN 60529)
Flame resistance: UL 94-HB

Temp.range in cont. use: Max. +60 °C
Temp. range of material: - 40 °C - + 80 °C

ACCESSORIES

Inspection window	L 02	Inspection window	L 24
Inspection window	L 04	Inspection window	L 24 II
Inspection window	L 06	Ventilation device	MB 10631
Inspection window	L 08		
Inspection window	L 10		
Inspection window	L 12		
Inspection window	L 12 II		
Inspection window	L 13		