



This is a sample photo.

ORDER SYMBOL: CAB ABS 302018 T

EL.number **EAN:** 6418074020079

Sweden:
Denmark: 8212020511
Finland: 3424351

INCLUDING:

Cabinet body, door with EPDM gasket, hinges, latches, mounting screws, and corner plugs.

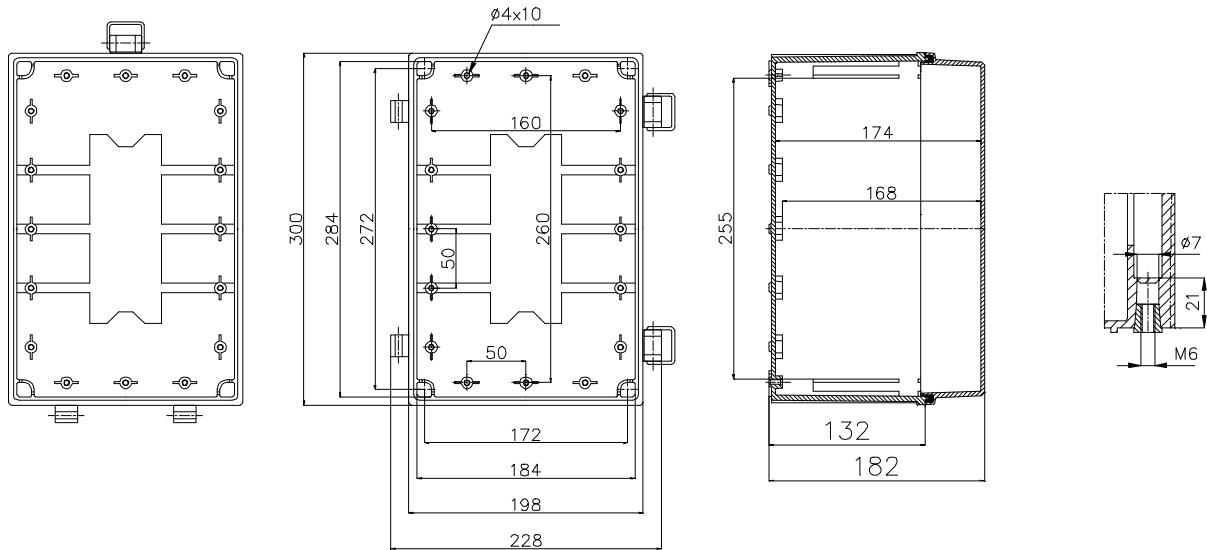
APPROVALS:

USA: NEMA 4, 4X, 12; UL 94-HB

EURO: IP 65; UL 94-HB

OTHERS: IEC 529, EEI

FIBOX CAB ABS



CAB 30 20 S

TECHNICAL INFORMATION:

Standard colour: RAL 7035
Ingress protection: IP 65 (IEC 529, EN 60529)
Flame resistance: UL 94-HB

Temp.range in cont. use: Max. +60 °C
Temp. range of material: - 40 °C - + 80 °C

ACCESSORIES

| | | | |
|-------------------|---------|--------------------|----------|
| Inspection window | L 02 | Inspection window | L 24 |
| Inspection window | L 04 | Inspection window | L 24 II |
| Inspection window | L 06 | Ventilation device | MB 10631 |
| Inspection window | L 08 | | |
| Inspection window | L 10 | | |
| Inspection window | L 12 | | |
| Inspection window | L 12 II | | |
| Inspection window | L 13 | | |