

R454B MANUAL  
C0211308-06-23-ML

**Manual:  
Installation, Service, Transport and Storage  
of Air Source Chillers and Heat Pumps  
with R454B Refrigerant**

**R R454B**



**EN-IT-FR-DE-ES-SV-DA-FI  
EL-NO-NL-PT-TR-RU-PL-HR**

<b>EN</b>	Translation of the original instructions The information in this document may be modified without prior notice. The reproduction and/or dissemination of this document, even in part, is prohibited without the written consent of MEHITS SpA.	<b>5</b>
<b>IT</b>	Traduzione delle istruzioni in lingua originale. Le informazioni contenute in questo documento possono essere modificate senza obbligo di preavviso. È vietata la riproduzione e/o divulgazione anche parziale di questo documento, se non espressamente autorizzato per iscritto da MEHITS SpA.	<b>11</b>
<b>FR</b>	Traduction de la notice originale. Les données contenues peuvent être modifiées sans obligation de préavis. La reproduction et la divulgation (même partielles) de ce document sans autorisation écrite expresse de MEHITS SpA sont interdites.	<b>18</b>
<b>DE</b>	Übersetzung der Originalbetriebsanleitung. Die in diesem Dokument enthaltenen Informationen können jederzeit ohne Vorankündigung geändert werden. Jede Vervielfältigung und Verbreitung dieses Dokuments ist verboten und nur mit ausdrücklicher schriftlicher Genehmigung von MEHITS SpA möglich.	<b>25</b>
<b>ES</b>	Traducción de las instrucciones originales. Los datos aquí contenidos pueden estar sujetos a modificaciones sin la obligación de previo aviso. Está prohibida reproducir y/o divulgar, incluso parcialmente, este documento si no está explícitamente autorizado de forma escrita por MEHITS SpA.	<b>32</b>
<b>SV</b>	Översättning av bruksanvisning i original Informationen i det här dokumentet kan ändras utan föregående meddelande. Återgivning och/eller spridning av det här dokumentet, även delvis, är förbjuden utan skriftligt medgivande från MEHITS SpA.	<b>39</b>
<b>DA</b>	Oversættelse af den originale brugsanvisning. Oplysningerne i dette dokument kan ændres uden forudgående meddelelse herom. Kopiering og/eller videregivelse af dette dokument eller dele heraf, er forbudt uden forudgående skriftligt tilladelse fra MEHITS S.p.A.	<b>46</b>
<b>FI</b>	Alkuperäisten ohjeiden käännös. Ohjekirjan tietoja voidaan muuttaa ilman ennakoilmoitusta. Ohjekirjan osittainenkin jäljentäminen ja/tai jakelu on kiellettyä ilman MEHITS S.p.A:n nimenomaista kirjallista lupaa.	<b>53</b>
<b>EL</b>	Μετάφραση των πρωτότυπων Οδηγιών. Οι πληροφορίες που περιέχονται σε αυτό το έγγραφο μπορούν να αλλάξουν χωρίς υποχρέωση προειδοποίησης. Απαγορεύεται η αναπαραγωγή ή/και η διάδοση, ακόμη και μερική, αυτού του εγγράφου, εκτός εάν ρητά εγκριθεί γραπτώς από την MEHITS SpA.	<b>60</b>
<b>NO</b>	Oversettelse av den originale bruksanvisningen. Informasjonen i dette dokumentet vil kunne endres uten varsel. Enhver kopiering og/eller videreformidling, også delvis, av denne bruksanvisningen er forbudt hvis det ikke foreligger skriftlig godkjenning fra MEHITS SpA.	<b>67</b>
<b>NL</b>	Vertaling van de oorspronkelijke handleiding. De informatie die in dit document staat kan zonder voorafgaande kennisgeving gewijzigd worden. Verveelvoudiging en/of openbaarmaking, ook gedeeltelijk, van dit document, is verboden zonder uitdrukkelijke schriftelijke toestemming van MEHITS SpA.	<b>74</b>
<b>PT</b>	Tradução das instruções originais. As informações contidas neste documento podem ser modificadas sem obrigação de pré-aviso. Está proibida a reprodução e/ou divulgação ainda que parcial deste documento, se não for expressamente autorizada por escrito pela MEHITS SpA.	<b>81</b>
<b>TR</b>	Orijinal talimatların çevirisi. Bu belgedeki bilgiler önceden haber verilmeksizin değiştirilebilir. MEHITS SpA'nın yazılı izni olmaksızın bu belge kısmi olsa bile kopyalanamaz, çoğaltılamaz ve/veya dağıtılamaz.	<b>88</b>
<b>RU</b>	Перевод оригинальных инструкций. Информация, содержащаяся в данном документе, может быть изменена без предварительного извещения. Запрещается воспроизведение и/или распространение, в том числе частичное, данного документа без специального письменного разрешения со стороны компании MEHITS S.p.A.	<b>95</b>
<b>PL</b>	Tłumaczenie oryginalnej instrukcji. Informacje zawarte w niniejszym dokumencie mogą być zmieniane bez uprzedzenia. Zabrania się powielania i rozpowszechniania niniejszego dokumentu, nawet w części, bez pisemnej zgody MEHITS SpA.	<b>102</b>
<b>HR</b>	Prijevod izvornih uputa. Informacije se u ovom dokumentu mogu izmijeniti bez prethodne obavijesti. Reproduciranje i/ili širenje ovog dokumenta, čak i djelomično, zabranjuje se bez prethodnog odobrenja poduzeća MEHITS d. d.	<b>109</b>

<p><b>Summary</b></p> <p>1. GENERAL INFORMATION ..... 5  2. REFRIGERANT PROPERTIES ..... 5  3. TRANSPORT OF THE UNITS ..... 6  4. STORAGE ..... 7  5. INSTALLATION ..... 7  6. SERVICING ..... 8  7. HYDRAULIC WATER CIRCUIT ..... 9</p> <p style="text-align: center;"><b>EN</b></p>	<p><b>Sommario</b></p> <p>1. GENERALITÀ ..... 12  2. PROPRIETÀ REFRIGERANTE ..... 12  3. TRASPORTO ..... 13  4. STOCCAGGIO ..... 14  5. INSTALLAZIONE ..... 14  6. MANUTENZIONE ..... 15  7. CIRCUITO IDRAULICO ..... 16</p> <p style="text-align: center;"><b>IT</b></p>	<p><b>Sommaire</b></p> <p>1. GÉNÉRALITÉS ..... 19  2. PROPRIÉTÉS RÉFRIGÉRANTES ..... 19  3. TRANSPORT ..... 20  4. STOCKAGE ..... 21  5. INSTALLATION ..... 21  6. ENTRETIEN ..... 22  7. CIRCUIT HYDRAULIQUE ..... 23</p> <p style="text-align: center;"><b>FR</b></p>
<p><b>Inhaltsverzeichnis</b></p> <p>1. ALLGEMEINES ..... 26  2. EIGENSCHAFTEN DES KÄLTEMITTELS ..... 26  3. TRANSPORT ..... 27  4. LAGERUNG ..... 28  5. INSTALLATION ..... 28  6. WARTUNG ..... 29  7. HYDRAULIKKREIS ..... 30</p> <p style="text-align: center;"><b>DE</b></p>	<p><b>Índice</b></p> <p>1. GENERALIDADES ..... 33  2. PROPIEDADES DEL REFRIGERANTE ..... 33  3. TRANSPORTE ..... 34  4. ALMACENAMIENTO ..... 35  5. INSTALACIÓN ..... 35  6. MANTENIMIENTO ..... 36  7. CIRCUITO HIDRÁULICO ..... 37</p> <p style="text-align: center;"><b>ES</b></p>	<p><b>Innehåll</b></p> <p>1. ALLMÄN INFORMATION ..... 40  2. KÖLDMEDIETS EGENSKAPER ..... 40  3. TRANSPORT AV MASKINERNA ..... 41  4. FÖRVARING ..... 42  5. MONTERING ..... 42  6. UNDERHÅLL ..... 43  7. HYDRAULISK VATTENKRETS ..... 44</p> <p style="text-align: center;"><b>SV</b></p>
<p><b>Indholdsfortegnelse</b></p> <p>1. GENERELLE OPLYSNINGER ..... 47  2. KØLEMIDLETS EGENSKABER ..... 47  3. TRANSPORT ..... 48  4. OPBEVARING ..... 49  5. INSTALLATION ..... 49  6. VEDLIGEHOLDELSE ..... 50  7. VANDSYSTEM ..... 51</p> <p style="text-align: center;"><b>DA</b></p>	<p><b>Sisältö</b></p> <p>1. YLEISET TIEDOT ..... 54  2. KYLMÄÄINEEN OMINAISUUDET ..... 54  3. YKSIKKÖJEN KULJETUS ..... 55  4. SÄILYTYS ..... 56  5. ASENNUS ..... 56  6. HUOLTO ..... 57  7. HYDRAULINEN PIIRI ..... 58</p> <p style="text-align: center;"><b>FI</b></p>	<p><b>Περιεχόμενα</b></p> <p>1. ΓΕΝΙΚΑ ..... 61  2. ΙΔΙΟΤΗΤΕΣ ΨΥΚΤΙΚΟΥ ..... 61  3. ΜΕΤΑΦΟΡΑ ..... 62  4. ΑΠΟΘΗΚΕΥΣΗ ..... 63  5. ΕΓΚΑΤΑΣΤΑΣΗ ..... 63  6. ΣΥΝΤΗΡΗΣΗ ..... 64  7. ΥΔΡΑΥΛΙΚΟ ΚΥΚΛΩΜΑ ..... 65</p> <p style="text-align: center;"><b>EL</b></p>

<p><b>Innholdsfortegnelse</b></p> <p>1. GENERELL INFORMASJON ..... 68</p> <p>2. EGENSKAPER VED KJØLEMEDIET ..... 68</p> <p>3. TRANSPORT AV ENHETENE ..... 69</p> <p>4. LAGRING ..... 70</p> <p>5. INSTALLASJON ..... 70</p> <p>6. GJENNOMFØRING AV SERVICE ..... 71</p> <p>7. HYDRAULISK VANNKRETS ..... 72</p> <p style="text-align: center;"><b>NO</b></p>	<p><b>Inhoud</b></p> <p>1. ALGEMEEN ..... 75</p> <p>2. EIGENSCHAPPEN VAN HET KOUEMIDDEL ..... 75</p> <p>3. TRANSPORT ..... 76</p> <p>4. OPSLAG ..... 77</p> <p>5. INSTALLATIE ..... 77</p> <p>6. ONDERHOUD ..... 78</p> <p>7. HYDRAULISCH CIRCUIT ..... 79</p> <p style="text-align: center;"><b>NL</b></p>	<p><b>Índice</b></p> <p>1. GENERALIDADES ..... 82</p> <p>2. PROPRIEDADES DO REFRIGERANTE ..... 82</p> <p>3. TRANSPORTE ..... 83</p> <p>4. ARMAZENAMENTO ..... 84</p> <p>5. INSTALAÇÃO ..... 84</p> <p>6. MANUTENÇÃO ..... 85</p> <p>7. CIRCUITO HIDRÁULICO ..... 86</p> <p style="text-align: center;"><b>PT</b></p>
<p><b>Özet</b></p> <p>1. GENEL BİLGİLER ..... 89</p> <p>2. SOĞUTUCU MADDE ÖZELLİKLERİ ..... 89</p> <p>3. ÜNİTELERİN TAŞINMASI ..... 90</p> <p>4. DEPOLAMA ..... 91</p> <p>5. KURULUM ..... 91</p> <p>6. SERVİS ..... 92</p> <p>7. HIDROLİK DEVRE ..... 93</p> <p style="text-align: center;"><b>TR</b></p>	<p><b>Сводка</b></p> <p>1. ОБЩИЕ СВЕДЕНИЯ ..... 96</p> <p>2. СВОЙСТВА ХЛАДАГЕНТА ..... 96</p> <p>3. ТРАНСПОРТИРОВКА АГРЕГАТОВ ..... 97</p> <p>4. ХРАНЕНИЕ ..... 98</p> <p>5. УСТАНОВКА ..... 98</p> <p>6. ТЕХНИЧЕСКОЕ ОБСЛУЖИВАНИЕ ..... 99</p> <p>7. ГИДРАВЛИЧЕСКИЙ КОНТУР ..... 100</p> <p style="text-align: center;"><b>RU</b></p>	<p><b>Podsum</b></p> <p>1. INFORMACJE OGÓLNE ..... 103</p> <p>2. WŁAŚCIWOŚCI CZYNNIKA CHŁODNICZEGO ..... 103</p> <p>3. TRANSPORT URZĄDZEŃ ..... 104</p> <p>4. PRZECHOWYWANIE ..... 105</p> <p>5. INSTALACJA ..... 105</p> <p>6. SERWISOWANIE ..... 106</p> <p>7. OBWÓD HYDRAULICZNY ..... 107</p> <p style="text-align: center;"><b>PL</b></p>
<p><b>Sažetak</b></p> <p>1. OPĆI PODATCI ..... 110</p> <p>2. SVOJSTVA RASHLADNOG SREDSTVA ..... 110</p> <p>3. TRANSPORT JEDINICA ..... 111</p> <p>4. SKLADIŠTENJE ..... 112</p> <p>5. POSTAVLJANJE ..... 112</p> <p>6. SERVIS ..... 113</p> <p>7. HIDRAULIČNI KRUG ..... 114</p> <p style="text-align: center;"><b>HR</b></p>		



## 1. GENERAL INFORMATION

This document shall be considered as an annex to the main installation manual; it contains information regarding safety of Air Source Chillers and Heat Pumps charged with R454B refrigerant, with reference to European regulations and directives. National laws and local building codes of each country shall in any case always be respected and applied with priority.

The Air Source units covered by this document are:

- Chillers
- Heat pumps
- Units for simultaneous and independent production of hot and cold water charged with R454B.

The following information helps the installer to operate in a proper and safe way but cannot replace a comprehensive risk assessment for the installation of the unit. Risk assessment is necessary to determine if there is a direct risk of injury or damage to property in relation to hazards identified at the installation site.

Commissioning, start-up, service, decommissioning and other operations on the unit shall be undertaken by trained and fully qualified personnel, in accordance with applicable local standards and codes of practice.

Cylinders and equipment containing R454B refrigerant require compliance with proper storage and handling procedures in accordance with EN 378-3:2016. Any person operating on the refrigeration circuit must have complete knowledge of the flammable refrigerants and the related risks.

NOTE: the leak detector supplied on request with the unit cannot be considered a safety device. It is to be used only as a means of testing for leaks.

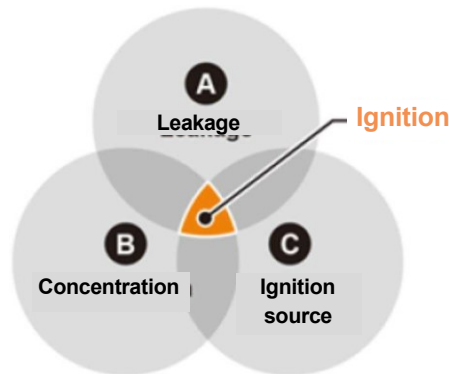


## 2. REFRIGERANT PROPERTIES

The R454B refrigerant is classified as mildly flammable and non-toxic (A2L according to ISO/ASHRAE). Mildly flammable means that, under the three conditions shown below, there is a possibility the refrigerant could slowly burn. Removing one of the three conditions does not pose the danger of fire, and can therefore be considered safe.

In any case, most refrigerants emit a toxic gas when a naked flame comes into contact with them.

All flammable refrigerants (class A2L and above) will not ignite if the concentration level stays below the lower flammability limit (LFL).



The flammability risk of MEHITS units with R454B refrigerant is minimal, however a site risk analysis may need to be carried out depending on the local regulations.

Some of the properties of R454B are listed below:

<b>ASHRAE/ ISO817 Name</b>	R454B
PED Group	1
ASHRAE Safety Classification	A2L
Ozone Depletion Potential (R11 = 1)	0
AR5 (AR4) GWP (CO2 = 1)	467 (466)
Composition Wt %	R32 = 68.9 % R1234yf = 31.1 %
Saturated Liquid Temperature <sup>(1)</sup> @ 1 atm	-50.5
Practical Limit (kg/m3)	0.039
Lower of ATEL or ODL (kg/m3)	0.358
LFL @ 23 °C, 50% RH (% v/v)	11.7
LFL (kg/m3)	0.303
UFL @ 23 °C, 50% RH (% v/v)	22.0
UFL (kg/m3)	0.569
Density <sup>(1)</sup> @ 21 °C, 1atm (kg/m3)	2.63
Burning Velocity (cm/s)	5.2
Minimum Ignition Energy (mJ) (ASTM E582-13)	100 - 300
Molecular Mass	62.61
Auto Ignition Temperature (°C) (ASTM E659-15)	498
Hot Surface Ignition Temperature (°C) (ASTM D8211-18)	>800



**3. TRANSPORT OF THE UNITS**

The units must be transported in full compliance with local legislation. The maximum quantity of refrigerant that can be transported will be determined by the applicable transport regulation.



For transport in Europe, the European Agreement concerning the International Carriage of Dangerous Goods by Road (ADR) must be applied. This regulation allows a partial exemption providing the total amount of refrigerant carried on the same truck does not exceed 1000 points (1kg of A2L corresponds to 3 points; 1kg of A1 corresponds to 1 point). For example, a truck could be loaded as below:

- 10 units with 100kg of R410 per unit -> Total points: 1000
- 10 units with 33kg of R454B per unit -> Total points: 1000
- 4 units with 200kg of R410 per unit + 2 units with 33kg of R454B per unit -> Total points: 1000

Very simple countermeasures for transport allows for the partial exemption from the ADR, e.g.

- Fire extinguisher in the truck
- Non-sparking torch in the truck
- A red label applied on the external packaging (already applied by MEHITS)

**WARNING:** THE UNIT IS EQUIPPED WITH PRESSURE RELIEF VALVES THAT COULD RELEASE REFRIGERANT IF THE UNIT IS EXPOSED TO HIGH TEMPERATURES. **THE TRANSPORT TEMPERATURE MUST NOT BE HIGHER THAN 50 °C.**



4. STORAGE

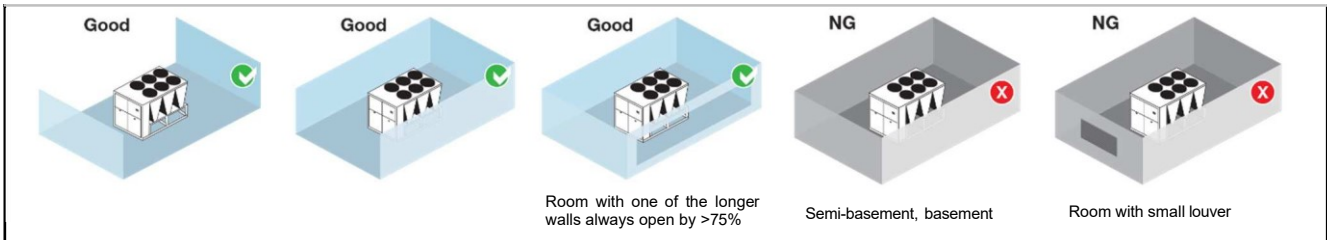
The Air Source Chillers and Heat Pumps with R454B refrigerant need to be stored in outdoor spaces; storage must be in accordance with the applicable regulations, local laws and building codes requirements:

**WARNING:** THE UNIT IS EQUIPPED WITH PRESSURE RELIEF VALVES THAT COULD RELEASE REFRIGERANT IF THE UNIT IS EXPOSED TO HIGH TEMPERATURES. **THE STORAGE TEMPERATURE MUST NOT BE HIGHER THAN 50 °C.**

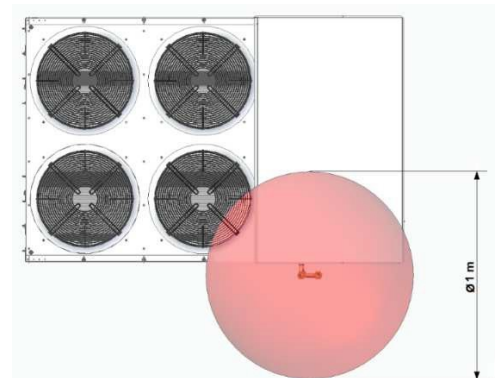
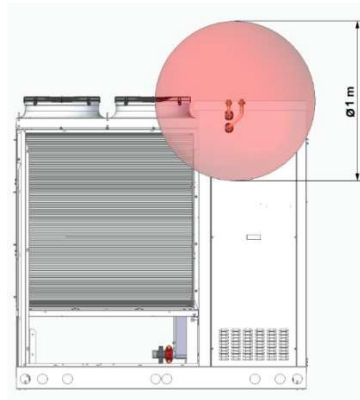
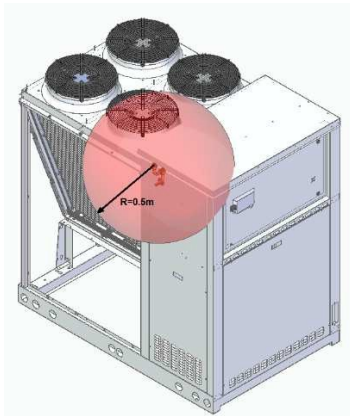


5. INSTALLATION

- Air Source units with R454B refrigerant must be installed outside, in the open air; this ensures a very low risk.
- The refrigerant is heavier than air and can stagnate, e.g. below the ground or near the floor, and could reach a flammable concentration. To avoid ignition, maintain a safe work environment by ensuring appropriate ventilation.



- Do not install the air source R454B units in semi-basement or basement, unless they comply with EN 378-3:2016 - par.5 requirements (gas detection, ventilation, alarm system, etc.).
- For R454B units where a release of refrigerant can stagnate e.g. below ground, installation must comply with the requirements of EN 378-3:2016 on gas detection, ventilation and alarm systems.
- R454B units located outside must be positioned to avoid the refrigerant from flowing into a building or otherwise endangering people, animals and property, in the event of a leak. It should not be possible for the refrigerant to enter through any air vents, doorways, trap doors or similar openings in the event of a leak. Where a shelter is provided for refrigerating equipment located outdoors, there must be natural or forced ventilation.
- The R454B unit is equipped with some safety Pressure Release Valves (PRV). Refrigerant can be released from the PRVs in case of overpressure. The outlet connection of the valves shall be routed from the unit enclosure to the open air and in safe zones, away from the ground (at least 1m above ground level and with the discharge pointing upwards, to increase dilution) or from potential ignition sources (electrical equipment that could arc or spark, hot surfaces, flames, etc.). Requirements regarding ignition sources in EN 378-2:2016, 6.2.14 apply where appropriate.  
 Closed to PSV vents, it results a safety zone of 0.5 m radius (at least); in this volume have to be ensured no presence of flames, sparks, hot surface or other possible ignition sources. For better explanation, see figure below:



In addition to arc, spark, hot surfaces, flames, etc. there are other ignition sources that must be taken into consideration:

- *Stray electric currents and cathodic corrosion protection:* Take care when the NX unit is installed near railways, electromagnetic induction ovens, large welding systems or other apparatus that can induce stray currents in order to avoid source of ignition.

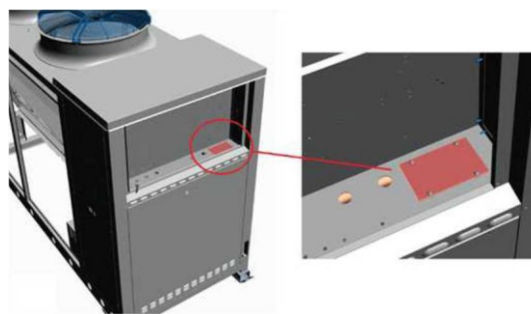
Stray currents can flow in electrically conductive systems or parts of systems as:

- return currents in power generating systems – especially in the vicinity of electric railways and large welding systems – when, for example, conductive electrical system components such as rails and cable sheathing laid underground lower the resistance of this return current path;
- a result of a short-circuit or of a short-circuit to earth owing to faults in the electrical installations;
- a result of magnetic induction (e.g. near electrical installations with high currents or radio frequencies)

If parts of a system able to carry stray currents are disconnected, connected or bridged (even in the case of slight potential differences) an explosive atmosphere can be ignited as a result of electric sparks and/or arcs. Moreover, ignition can also occur due to the heating up of these current paths.

When impressed current cathodic corrosion protection is used, the above-mentioned ignition risks are also possible. However, if sacrificial anodes are used, ignition risks due to electric sparks are unlikely, unless the anodes are aluminum or magnesium.

- *Mechanically generated sparks:* Due to an imbalance or damage to the bearings, the blades of a fan can crawl or impact against grids and nozzles; friction or impact or abrasion can lead to overheating or detachment of solid particles at high temperature, which could represent a potential source of ignition. Make sure that the fans have no abnormal vibrations or noises; in this case stop the machine and inform the service department.
- The R454B unit is provided with some parts of the refrigerant circuit inside an enclosure: a potentially flammable zone may extend beyond the boundary of the equipment, especially when doors or panels of the unit are opened following a leak. A risk assessment shall be conducted to determine the requirements of the location of the unit to be installed.
- The installer shall provide adequately protected documentation that shall be kept near the operating site of the unit and be clearly readable. It shall, at a minimum, contain details of the flammability of the flammable refrigerant (see EN 378-2:2016, 6.4.3.3).
- The electrical box is designed to prevent any dangerous refrigerant concentration in the event of a leakage. It must not be altered by the addition of holes or the removal of cable glands. The wiring operations must comply with the following rules: for the passage of cables use the appropriate plate arranged for the scope (see example drawing below), which must be drilled and equipped with cable glands suitable for the diameter of the power supply cable to the unit.



## 6. SERVICING

The following precautions must be taken before working on the refrigerant circuit:

- Obtain a permit for work on hot parts (if required);
- Ensure that no flammable materials are stored in the work area and that no ignition sources are present anywhere in the work area;
- Ensure that suitable fire extinguishing equipment (CO2 or dry-powder type) is available within the immediate area;
- Ensure that the work area is properly ventilated before working on the refrigerant circuit or before welding, brazing or soldering work. Use auxiliary ventilation, rated for R454B refrigerant, such as blowers or fans, if necessary, to disperse refrigerant vapours, especially in confined areas. (This recommendation applies, in any case, to all refrigerants);
- Ensure that suitable flammable gas detectors are present and operating to warn workers of a dangerous concentration of refrigerants, especially during any work on hot parts;
- Ensure that the leak detection equipment being used is non-sparking, adequately sealed or intrinsically safe;
- Put appropriate signs in place, for example: “no smoking” and “do not enter the area” signs;
- Verify that all appropriate and necessary tools and Personal Protective Equipment (PPE) are available;
- Ensure that all maintenance staff have been instructed.

NOTE: When installation permits, it is recommended to remove the equipment from the existing position to a controlled workshop environment where work can be carried out safely.

The following procedure must be followed before working on the refrigerant circuit:

- Remove the refrigerant (specify the residual pressure);
- Purge the circuit with inert gas (e.g. nitrogen);
- Evacuate at a pressure of 30 kPa absolute (or 0.03 MPa);
- Purge again with inert gas (e.g. nitrogen);
- Open the circuit.

- Do not braze pipe and components which contain refrigerant. Before opening the circuit, the refrigerant must be recovered or pumped down. To open the pipelines, use only pipe cutters and no open flames. Before brazing, check with a refrigerant detector the absence of a potential flammable atmosphere. Refrain from using flames until the work environment is adequately ventilated.
- If compressors or compressor oils are to be removed, evacuate to an acceptable level to ensure that there is no flammable refrigerant remaining within the lubricant.
- Only refrigerant recovery equipment designed for use with flammable refrigerants must be employed. HFC refrigerant recovery machines may not have been assessed for use with flammable refrigerants. If the national rules or regulations permit the refrigerant to be drained, this should be done safely, using a hose, for example, to discharge the refrigerant into the outside atmosphere in a safe area. It should be ensured that an inflammable explosive refrigerant concentration cannot occur near an ignition source or penetrate into a building under any circumstance.
- After any repair work, the safety devices, e.g. refrigerant detectors and mechanical ventilation systems, shall be checked and the results recorded.
- It shall be ensured that any missing or illegible labels on components of the refrigerant circuit are replaced.
- Sources of ignition shall not be used when searching for a refrigerant leak.
- Maintenance and repair requiring the assistance of other skilled personnel shall be carried out under the supervision of the person competent in the use of flammable refrigerants. Any person conducting servicing or maintenance on a system or associated parts of the equipment shall be competent according to EN 13313.

Persons working on the unit shall have competence in the safety aspects of handling flammable refrigerants, supported by evidence of appropriate training. This will include the following requirements:

- Knowledge of legislation, regulations and standards relating to flammable refrigerants;
- Detailed knowledge of and skill in handling flammable refrigerants, personal protective equipment, refrigerant leakage prevention, handling of cylinders, charging, leak detection, recovery and disposal.



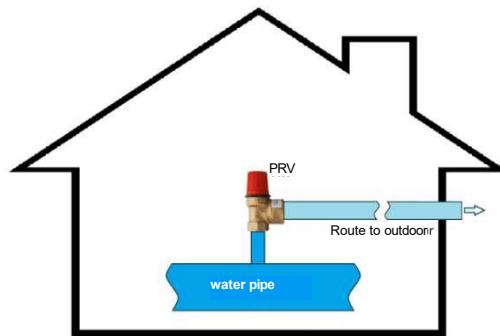
## 7. HYDRAULIC CIRCUIT

The heat exchanger of the unit, in case of breakage, could release refrigerant into the water circuit. To minimize the release of refrigerant indoors through water piping, the water side of the heat exchanger of MEHITS units is equipped with a safety Pressure Release Valve (PRV), for releasing the refrigerant into the atmosphere. It is the responsibility of the installer to design and protect the water circuit (piping, fan coils, tanks, etc.), considering also the PRV set, pump head pressure, geodetic quota, etc.

The outlet connection of the PRV shall be routed from the unit enclosure to the open air and in safe zones, away from potential ignition sources (electrical equipment, hot surfaces, flames, etc.).

Pay attention to the design of the hydraulic water circuit: it must be designed to prevent the release of refrigerant into areas served by water/brine. The following may be considered to comply with this requirement:

Any open-type expansion vessels/tanks, water tanks and so on shall be installed outdoor. If they are already installed in indoor space, it is necessary to substitute them with hermetic-type ones or to move them from indoors to outdoors.



- It is preferable to avoid the installation of PRVs on hydraulic pipes located inside the building; where possible, it is better to install the PRVs directly outside the building or connect them to a pipe that releases any refrigerant to the outside. Refrigerant releasing points are not, under any circumstances, allowed in occupied spaces (only manual air vents are allowed).

If it is installed indoor it must be capped after commissioning



- Any Automatic Air Vents (AAVs) installed on the indoor hydraulic circuit shall be capped after commissioning.

HERMETIC TYPE  
indoor or outdoor



OPEN TYPE  
only outdoor



- If it is not possible to move these potential release points from the machinery room to outdoors, then the machinery room must be compliant with the requirements of EN 378-3:2016, clause 5 (gas detection, alarms, ventilation, etc.).
- In case that the unit needs to be repaired, the water/brine must be checked for the possible presence of refrigerant.

**MANUALE R454B**  
C0211308-06-23-IT

**Manuale:  
Installazione, Manutenzione, Trasporto e Stoccaggio  
di chiller e pompe di calore con sorgente aria con  
refrigerante R454B**

**R R454B**





## 1. GENERALITÀ

Questo documento costituisce un allegato al manuale di installazione principale. Contiene informazioni sulla sicurezza per chiller e pompe di calore con sorgente aria con refrigerante R454B, compilate sulla base delle normative e direttive europee. In tutti i casi avranno comunque priorità le leggi nazionali e le procedure costruttive locali.

Le unità con sorgente aria discusse in questo documento sono:

- Chiller
- Pompe calore
- Unità per produzione simultanea e indipendente di acqua calda e fredda contenenti R454B.

Le informazioni seguenti possono aiutare l'installatore a lavorare in condizioni sicure, ma non sostituiscono tuttavia valutazioni di rischi complete per l'installazione dell'unità. La valutazione dei rischi serve a valutare rischi diretti di lesioni o danni sulla base dei pericoli identificati sul luogo d'installazione.

Messa in opera, avviamento, manutenzione, messa fuori servizio e altre attività sull'unità devono essere effettuate da personale formato e qualificato, secondo le normative e le procedure locali.

Bombole e impianti contenenti refrigerante R454B richiedono procedure di stoccaggio e movimentazione secondo normativa EN 378-3:2016. Chi lavora su circuiti refrigeranti deve avere completa conoscenza di refrigeranti infiammabili e rischi connessi.

NOTA: il rilevatore di perdite fornito a richiesta non costituisce un dispositivo di sicurezza. Esso va utilizzato solo per rilevare perdite.

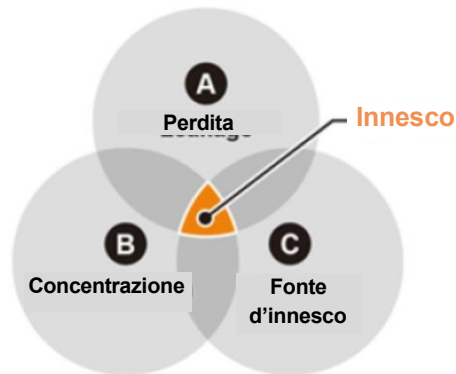


## 2. PROPRIETÀ REFRIGERANTE

Il refrigerante R454B è classificato come leggermente infiammabile e non tossico (A2L secondo ISO/ASHRAE). Leggermente infiammabile indica che alle tre condizioni sotto potrebbe bruciare lentamente. Se si elimina una delle tre condizioni non vi è rischio di incendio e può essere considerato sicuro.

Tuttavia, la maggior parte dei refrigeranti emette gas tossici quando in contatto con fiamme.

I refrigeranti infiammabili (classe A2L e superiore) non si incendiano se la concentrazione rimane al di sotto del limite inferiore di infiammabilità (LFL).



Il rischio di infiammabilità delle unità MEHITS con refrigerante R454B è minimo. Tuttavia le normative locali potrebbero richiedere un'analisi dei rischi nel luogo di installazione.

Di seguito alcune proprietà di R454B:

Nome ASHRAE/ ISO817	R454B
Gruppo PED	1
Classificazione Sicurezza ASHRAE	A2L
ODP (Potenziale di deterioramento dell'Ozono) (R11 = 1)	0
GWP (Potenziale di riscaldamento globale) AR5 (AR4) (CO2 = 1)	467 (466)
Composizione - % Peso	R32 = 68,9 % R1234yf = 31,1 %
Temperatura Liquido Saturo (1) @ 1 atm	-50,5
Limite Pratico (kg/m3)	0,039
Inferiore tra limite di esposizione per tossicità acuta (ATEL) o limite di deprivazione di ossigeno (ODL) (kg/m3)	0,358
LFL (Limite inferiore d'infiammabilità) @ 23 °C, 50% UR (% v/v)	11,7
LFL (kg/m3)	0,303
UFL (Limite superiore d'infiammabilità) @ 23 °C, 50% UR (% v/v)	22,0
UFL (kg/m3)	0,569
Densità (1) @ 21 °C, 1atm (kg/m3)	2,63
Velocità di Combustione (cm/s)	5,2
Energia Minima di Accensione (mJ) (ASTM E582-13)	100 - 300
Massa molecolare	62,61
Temperatura di autoaccensione (°C) (ASTM E659-15)	498
Temperatura superficiale di Accensione (°C) (ASTM E659-18)	>800



### 3. TRASPORTO

Le unità vanno trasportate nel rispetto delle leggi locali. La quantità massima di refrigerante sarà dettata dalle leggi sui trasporti in essere.



Per trasporti in Europa si applica l'accordo europeo per il trasporto internazionale di merci pericolose su strada (ADR). Questo accordo prevede esenzione parziale se il refrigerante totale trasportato sul camion non supera 1000 punti (1 kg di A2L = 3 punti; 1 kg di A1 = 1 punto). Per esempio, il camion potrebbe trasportare:

- 10 unità con 100 kg di R410 ciascuna -> Punti totali: 1000
- 10 unità con 33 kg di R454B ciascuna -> Punti totali: 1000
- 4 unità con 200 kg di R410 ciascuna + 2 unità con 33 kg di R454B ciascuna -> Punti totali: 1000

Semplici contromisure di sicurezza consentono un'esenzione parziale dell'ADR. Es.

- Estintore nel camion
- Torcia che non produca scintilla nel camion
- Etichetta rossa sull'imballo esterno (già affissa da MEHITS)

**ATTENZIONE:** L'UNITÀ HA UNA VALVOLA DI SICUREZZA PER SOVRAPPRESSIONE CHE POTREBBE RILASCIARE REFRIGERANTE SE L'UNITÀ VENISSE ESPOSTA AD ALTE TEMPERATURE. **LA TEMPERATURA DI TRASPORTO NON DEVE SUPERARE I 50 °C.**



**4. STOCCAGGIO**

Le unità chiller e pompe di calore con sorgente aria con refrigerante R454B devono essere stoccate all'aperto. Lo stoccaggio deve essere conforme alle normative applicabili, le leggi locali e le regole costruttive esistenti:

**ATTENZIONE:** L'UNITÀ HA UNA VALVOLA DI SICUREZZA PER SOVRAPPRESSIONE CHE POTREBBE RILASCIARE REFRIGERANTE SE L'UNITÀ VENISSE ESPOSTA AD ALTE TEMPERATURE. **LA TEMPERATURA DI STOCCAGGIO NON DEVE ECCEDERE 50 °C.**

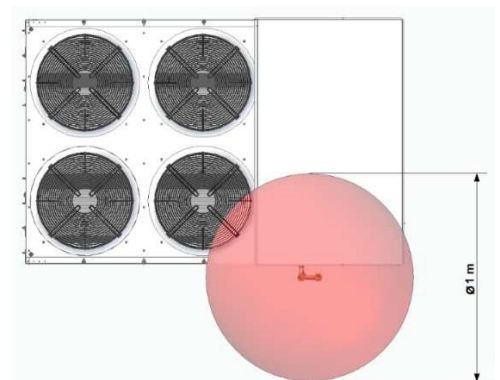
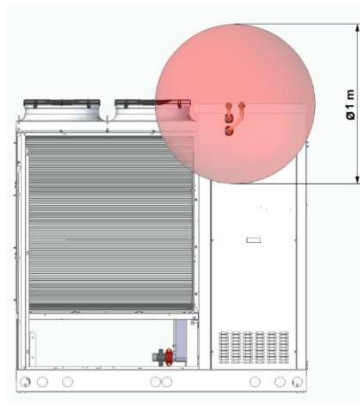
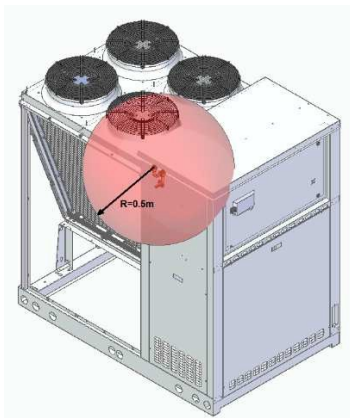


**5. INSTALLAZIONE**

- Le unità con sorgente aria con refrigerante R454B devono essere installate all'aperto; questo assicura livelli di rischio molto bassi.
- Il refrigerante è più pesante dell'aria e può stagnare, per esempio sotto terra o a livello del pavimento, raggiungendo concentrazioni infiammabili. Per evitare l'innesco, mantenere un ambiente sicuro attraverso una ventilazione adeguata.



- Non installare le unità con sorgente aria con refrigerante R454B in seminterrati o locali sotterranei non conformi ai requisiti della normativa EN 378-3:2016 - par. 5 (rilevazione gas, ventilazione, sistema di allarme, ecc.).
- Nel caso vi sia la possibilità di ristagno del refrigerante rilasciato, per esempio sotto terra, sarà necessario soddisfare i requisiti della norma EN 378-3:2016 sulla rilevazione di gas, la ventilazione e i sistemi di allarme.
- Le unità R454B installate all'aperto devono essere posizionate in modo che in caso di perdite il refrigerante non fluisca all'interno dell'edificio, e non presenti pericoli per persone, animali o cose. Assicurare che in caso di perdite non vi sia penetrazione di refrigerante attraverso bocche di ventilazione, porte, botole o simili. In caso di installazione di unità all'esterno con riparo, assicurare adeguata ventilazione forzata o naturale.
- Le unità R454B sono attrezzate di valvole di sicurezza per sovrappressione (PRV - Pressure Release Valve). In caso di sovrappressione è possibile che il refrigerante venga espulso attraverso le PRV. Le uscite delle valvole devono essere dirette dall'involucro dell'unità verso l'aria aperta, in zone sicure elevate (almeno 1 m dal livello del suolo e con la bocca di scarico verso l'alto, per migliorare la dispersione) e lontane da possibili fonti d'innesco (impianti elettrici che potrebbero causare archi o scintille, superfici calde, fiamme, ecc). Dove appropriato si applicano i requisiti della normativa EN 378-2:2016, 6.2.14 riguardo alle fonti d'innesco. In prossimità della ventilazione PSV deve essere presente una zona di sicurezza con un raggio di almeno 0,5 m; in questa zona deve essere garantita l'assenza di fiamme, scintille, superfici calde o altre possibili fonti d'innesco. Per una spiegazione più approfondita, vedi figura sottostante:



Oltre ad archi, scintille, superfici calde, fiamme, ecc. è necessario prendere in considerazione altre fonti d'innesco:

- **Correnti elettriche vaganti e di protezione catodica anticorrosione:** per evitare fonti d'innesco, prestare attenzione quando l'unità NX è installata vicino a linee ferroviarie, forni a induzione elettromagnetica, grandi sistemi di saldatura o altri apparecchi che potrebbero indurre correnti vaganti.

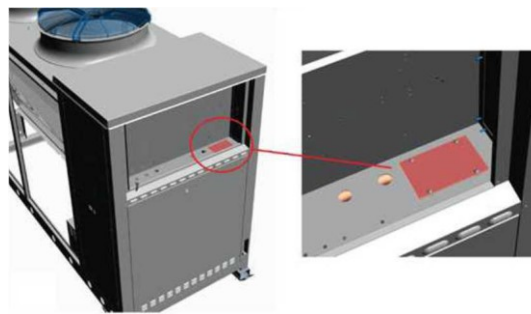
Le correnti vaganti possono fluire attraverso sistemi elettricamente conduttivi o parti di essi come:

- correnti di ritorno in sistemi per la generazione di energia - in modo particolare nelle prossimità di linee ferroviarie elettriche e grandi impianti di saldatura - quando, ad esempio, componenti di sistemi elettricamente conduttivi come le rotaie o la guaina di cavi posati sottoterra diminuiscono la resistenza di tale percorso di ritorno;
- a seguito di un cortocircuito o di un cortocircuito a terra dovuto a guasti degli impianti elettrici;
- a seguito di induzione magnetica (ad esempio in prossimità di impianti elettrici con correnti elevate o radiofrequenze).

Qualora parti di un sistema in grado di trasportare correnti vaganti siano scollegate, collegate o cortocircuitate (anche in caso di lievi differenze di potenziale), potrebbe essere innescata un'atmosfera esplosiva dovuta alla presenza di scintille e/o archi elettrici. È inoltre possibile che l'innesco avvenga anche a causa del riscaldamento di tali percorsi di corrente.

È possibile che i suddetti rischi di innesco siano presenti anche in caso di utilizzo di protezione catodica anticorrosione da corrente impressa. Tuttavia, utilizzando anodi sacrificali, i rischi di innesco dovuti a scintille elettriche sono improbabili, a meno che gli anodi non siano in alluminio o in magnesio.

- **Scintille generate meccanicamente:** a causa di uno squilibrio o di un danneggiamento dei cuscinetti, le pale di un ventilatore possono strisciare o urtare contro griglie e bocchagli; l'attrito, l'impatto o l'abrasione possono portare al surriscaldamento o al distacco di particelle solide ad alta temperatura, che potrebbero rappresentare una potenziale fonte di innesco. Assicurarsi che i ventilatori non presentino vibrazioni o rumori anomali; se dovessero riscontrarsi, arrestare la macchina e informare il servizio di assistenza.
- Le unità R454B hanno parte del circuito refrigerante all'interno di un involucro: la zona potenzialmente infiammabile potrebbe estendersi oltre i limiti dell'unità, specialmente quando porte o pannelli dell'unità vengono aperti a seguito di perdite. Andrà completata una valutazione dei rischi per la definizione dei requisiti del luogo d'installazione.
- L'installatore dovrà fornire documentazione adeguatamente protetta e chiaramente leggibile, da conservarsi nei pressi del luogo operativo dell'unità. Essa dovrà contenere almeno i dati di infiammabilità del refrigerante infiammabile (vedere EN 378-2:2016, 6.4.3.3).
- La scatola elettrica è progettata per evitare concentrazioni di refrigerante pericolose in caso di perdite. Non deve essere modificata praticando fori aggiuntivi o rimuovendo i pressacavi. I cablaggi devono soddisfare i seguenti requisiti: per il passaggio dei cavi utilizzare piastre appropriate predisposte per il tipo di utilizzo (vedere il disegno di esempio allegato). Le piastre devono essere forate e dotate di pressacavi adatti al diametro del cavo di alimentazione dell'unità.



## 6. MANUTENZIONE

Prima di iniziare lavori su circuiti refrigeranti prendere le seguenti precauzioni:

- Ottenere un permesso per lavoro su parti calde (se richiesto);
- Assicurare che nell'area di lavoro non vi siano materiali infiammabili o fonti d'innesco;
- Assicurare che siano disponibili nelle immediate vicinanze mezzi di estinzione incendi appropriati (CO<sub>2</sub> o polvere secca);
- Prima di iniziare a lavorare sul circuito refrigerante, o prima di cominciare operazioni di saldatura o brasatura, assicurare che l'area di lavoro sia ben ventilata. Se necessario per la dispersione dei vapori di refrigerante, specialmente in spazi confinati, avvalersi di mezzi di ventilazione aggiuntiva adatti a refrigerante R454B, come soffiatori o ventilatori. (Questo vale per tutti i refrigeranti);
- Assicurare che nell'area vi siano rilevatori di gas infiammabili adeguati e funzionanti, per avvertire i lavoratori in caso di concentrazioni di refrigerante pericolose, specialmente in caso di lavoro su parti calde;
- Assicurare che il rilevatore di perdite utilizzato non possa produrre scintille, sia sigillato adeguatamente e intrinsecamente sicuro;
- Esibire cartelli di avvertimento adeguati; per esempio: "vietato fumare" e "vietato l'accesso";
- Assicurare che siano disponibili tutti gli strumenti e dispositivi di protezione individuale necessari;
- Assicurare che gli addetti alla manutenzione siano stati adeguatamente istruiti.

NOTA: se possibile, si raccomanda di trasferire l'impianto dalla posizione di installazione a un'officina, dove si potranno eseguire i lavori in sicurezza.

Prima di iniziare lavori su circuiti refrigeranti seguire questa procedura:

- Eliminare il refrigerante (specificare la pressione residua);
- Spurgare il circuito con gas inerte (es. azoto);
- Evacuare a una pressione di 30 kPa assoluta (0,03 MPa);
- Spurgare ancora con gas inerte (es. azoto);
- Aprire il circuito.

- Non brasare tubature o componenti contenenti refrigerante. Prima di aprire il circuito il refrigerante deve essere recuperato o eliminato. Per aprire le tubature utilizzare taglia tubi. Non utilizzare fiamme libere. Prima della brasatura controllare con un rilevatore di refrigerante che non vi siano atmosfere potenzialmente infiammabili. Non usare fiamme fino a che l'ambiente di lavoro non sia adeguatamente ventilato.
- Nel caso debbano essere rimossi compressori o oli di compressori, evacuare a un livello accettabile, per evitare che vi sia refrigerante infiammabile nel lubrificante.
- Utilizzare solo strumenti per il recupero di refrigerante adatti a utilizzo con refrigeranti infiammabili. Attrezzature per il recupero di refrigerante HFC potrebbero non essere state testate con refrigeranti infiammabili. Se le normative nazionali permettono lo scarico del refrigerante, questo va fatto in maniera sicura, per esempio usando un tubo flessibile, in modo da scaricare il refrigerante all'esterno in area sicura. Non permettere la formazione di una concentrazione di refrigerante infiammabile esplosiva nelle vicinanze di fonti d'innesco, o la penetrazione all'interno di edifici.
- Al completamento di riparazioni, controllare i dispositivi di sicurezza, quali rilevatori di refrigeranti e sistemi di ventilazione meccanica, e registrarne i risultati.
- Ripristinare eventuali etichette mancanti o illeggibili sui componenti del circuito refrigerante.
- Durante l'identificazione di perdite di refrigerante non utilizzare fonti d'innesco.
- Manutenzioni e riparazioni che richiedono l'intervento di personale esperto devono essere effettuate sotto la supervisione di personale esperto nella manipolazione di refrigeranti infiammabili. Chiunque effettui lavori di manutenzione ordinaria o straordinaria su un impianto, o componenti collegati all'impianto, dovrà possedere una competenza secondo la normativa EN 13313.

Chiunque lavori sull'unità dovrà possedere le competenze necessarie per una manipolazione sicura di refrigeranti infiammabili, supportata da evidenza di training appropriato. Questo includerà quanto segue:

- Conoscenza di leggi, normative e standard riguardanti refrigeranti infiammabili;
- Conoscenza dettagliata e esperienza nel gestire refrigeranti infiammabili, utilizzo di dispositivi di protezione individuale, prevenzione perdite di refrigerante, manipolazione bombole, caricamento, rilevamento perdite, recupero e smaltimento.



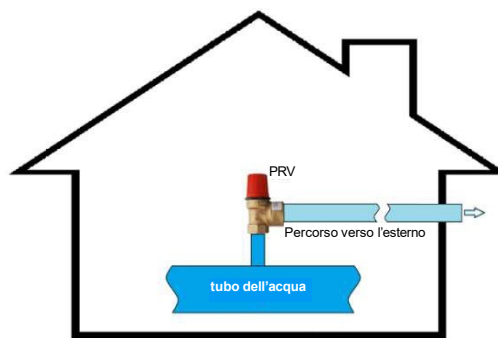
## 7. CIRCUITO IDRAULICO

In caso di guasto lo scambiatore di calore dell'unità potrebbe rilasciare refrigerante nel circuito dell'acqua. Per minimizzare il rilascio di refrigerante in aree confinate attraverso tubature, il lato acqua dello scambiatore dell'unità MEHITS è attrezzato con una valvola di sicurezza per sovrappressione (PRV) per il rilascio del refrigerante in atmosfera. È responsabilità dell'installatore progettare e proteggere il circuito dell'acqua (tubature, ventole, serbatoi, ecc.), tenendo conto di PRV, pressione prevalenza pompa, quota geodetica, ecc.

La porta di uscita della PRV deve essere diretta dall'involucro verso l'aria aperta, in una zona sicura lontana da possibili fonti d'innesco (impianti elettrici, superfici calde, fiamme, ecc.).

Fare attenzione alla conformazione del circuito idraulico acqua: deve essere in grado di prevenire il rilascio di refrigerante in aree servite da acqua o soluzione salina. Quanto segue può essere considerato come soddisfacente questo requisito:

- Serbatoi/vasi di espansione, serbatoi acqua aperti e simili devono essere installati all'esterno. Nel caso essi siano già installati al chiuso, andranno sostituiti con tipi ermetici, o spostati all'esterno.



- Evitare l'installazione di PRV su tubature idrauliche all'interno dell'edificio; se possibile installare le PRV direttamente all'esterno dell'edificio, o collegarle a tubature che scarichino il refrigerante direttamente all'esterno. Non vi saranno per nessun motivo punti di rilascio di refrigerante in spazi occupati (permesse solo bocche di ventilazione manuale).

Da sigillare dopo la messa in opera in caso di installazione in locali chiusi.



- Eventuali bocche di ventilazione automatiche del circuito idraulico all'interno di edifici dovranno essere sigillate dopo la messa in opera.

TIPO ERMETICO  
interno o esterno



TIPO APERTO  
solo esterno



- Nel caso non sia possibile spostare questi punti di potenziale rilascio dalla sala macchine all'esterno, la sala macchine dovrà soddisfare i requisiti della normativa EN 378-3:2016, clausola 5 (rilevazione gas, allarmi, ventilazione, ecc.).
- Nel caso in cui l'unità abbia bisogno di riparazione, controllare che non vi sia refrigerante nell'acqua o soluzione salina.

MANUEL R454B  
C0211308-06-23-FR

**Manuel:  
Installation, Maintenance, Transport et Stockage de  
groupes d'eau glacée et de pompes à chaleur avec source  
air et réfrigérant R454B**

**R R454B**





## 1. GÉNÉRALITÉS

Ce document constitue une annexe du manuel d'installation principal. Il contient des consignes de sécurité pour les groupes d'eau glacée et les pompes à chaleur avec source air et réfrigérant R454B, établies sur la base des normes et des directives européennes. Dans tous les cas, les lois nationales et les procédures de construction locales sont prioritaires.

Les unités avec sources air dont il est question dans ce document sont :

- Chiller
- Pompes à chaleur
- Unités pour production simultanée et indépendante d'eau chaude et froide contenant du R454B.

Les informations suivantes peuvent aider l'installateur à travailler en sécurité, mais ne remplacent pas les évaluations de risques complètes pour l'installation de l'unité. L'évaluation des risques sert à évaluer les risques directs de blessures ou de dommages selon les dangers identifiés sur le lieu d'installation.

L'installation, le démarrage, l'entretien, la mise hors service et les autres activités sur l'unité doivent être effectuées par du personnel formé et qualifié, selon les réglementations et les procédures locales.

Les bonbonnes et systèmes contenant du réfrigérant R454B exigent des procédures de stockage et de manutention conformes à la réglementation EN 378-3:2016. Les personnes travaillant sur les circuits réfrigérants doivent connaître parfaitement les réfrigérants inflammables et les risques liés.

REMARQUE : le détecteur de fuites fourni sur demande ne constitue pas un dispositif de sécurité. Il doit être utilisé uniquement pour détecter les fuites.

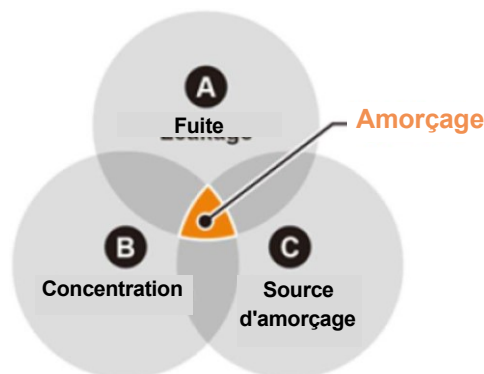


## 2. PROPRIÉTÉS RÉFRIGÉRANTES

Le réfrigérant R454B est classé comme légèrement inflammable et non toxique (A2L selon ISO/ASHRAE). Légèrement inflammable indique qu'il pourrait brûler lentement lorsque les trois conditions ci-dessus sont réunies. Si une des trois conditions est éliminée, il n'y a pas de risque d'incendie et il peut être considéré comme sûr.

Toutefois, la plupart des réfrigérants émet des gaz toxiques quand ils sont en contact avec des flammes.

Les réfrigérants inflammables (classe A2L et supérieure) ne prennent pas feu si la concentration reste sous la limite inférieure d'inflammabilité (LFL).



Le risque d'inflammabilité des unités MEHITS avec réfrigérant R454B est minime. Toutefois, les réglementations locales pourraient exiger une analyse des risques dans le lieu d'installation.

Voici quelques propriétés du R454B :

Nom ASHRAE/ ISO817	R454B
Groupe PED	1
Classement Sécurité ASHRAE	A2L
Potentiel d'Appauvrissement de l'Ozone (R11 = 1)	0
GWP AR5 (AR4) (CO2 = 1)	467 (466)
Composition - % Poids	R32 = 68,9 % R1234yf = 31,1 %
Température liquide saturé (1) à 1 atm	-50,5
Limite pratique (kg/m3)	0,039
Inférieure entre ATEL et ODL (kg/m3)	0,358
LFL à 23°C, 50% HR (% v/v)	11,7
LFL (kg/m3)	0,303
UFL à 23°C, 50% HR (% v/v)	22,0
UFL (kg/m3)	0,569
Densité(1) @ 21°C, 1 atm (kg/m3)	2,63
Vitesse de combustion (cm/s)	5,2
Énergie minimale d'allumage (mJ) (ASTM E582-13)	100 - 300
Masse moléculaire	62,61
Température d'auto-inflammation (°C) (ASTM E659-15)	498
Température superficielle d'inflammation (°C) (ASTM E659-18)	>800



### 3. TRANSPORT

Les unités doivent être transportées conformément aux lois locales. La quantité maximale de réfrigérant est indiquée par les lois en vigueur en matière de transports.



Pour les transports en Europe, on applique l'accord européen pour le transport international de marchandises dangereuses sur route (ADR). Cet accord prévoit une exemption partielle si le réfrigérant total transporté sur le camion ne dépasse pas 1 000 points (1 kg d'A2L = 3 points ; 1 kg d'A1 = 1 point). Par exemple, le camion pourrait transporter :

- 10 unités avec 100 kg de R410 chacune -> Points totaux : 1 000
- 10 unités avec 33 kg de R454B chacune -> Points totaux : 1 000
- 4 unités avec 200 kg de R410 chacune + 2 unités avec 33 kg de R454B chacune -> Points totaux : 1 000

Des contre-mesures de sécurité simples permettent une exemption partielle de l'ADR. Ex. :

- Extincteur dans le camion
- Torche ne produisant pas d'étincelles dans le camion
- Étiquette rouge sur l'emballage extérieur (déjà collée par MEHITS)

**ATTENTION : L'UNITÉ EST DOTÉE D'UNE SOUPAPE RÉGULATRICE DE PRESSION QUI POURRAIT RELÂCHER DU RÉFRIGÉRANT SI L'UNITÉ EST EXPOSÉE À DES TEMPÉRATURES ÉLEVÉES. LA TEMPÉRATURE DE TRANSPORT NE DOIT PAS DÉPASSER 50 °C.**



**4. STOCKAGE**

Les unités groupe d'eau glacée et les pompes à chaleur avec source d'air et réfrigérant R454B doivent être stockées à l'extérieur. Le stockage doit être conforme aux réglementations applicables, aux lois locales et aux règles de fabrication en vigueur :

**ATTENTION : L'UNITÉ EST DOTÉE D'UNE SOUPAPE RÉGULATRICE DE PRESSION QUI POURRAIT RELÂCHER DU RÉFRIGÉRANT SI L'UNITÉ EST EXPOSÉE À DES TEMPÉRATURES ÉLEVÉES. LA TEMPÉRATURE DE STOCKAGE NE DOIT PAS DÉPASSER 50 °C.**

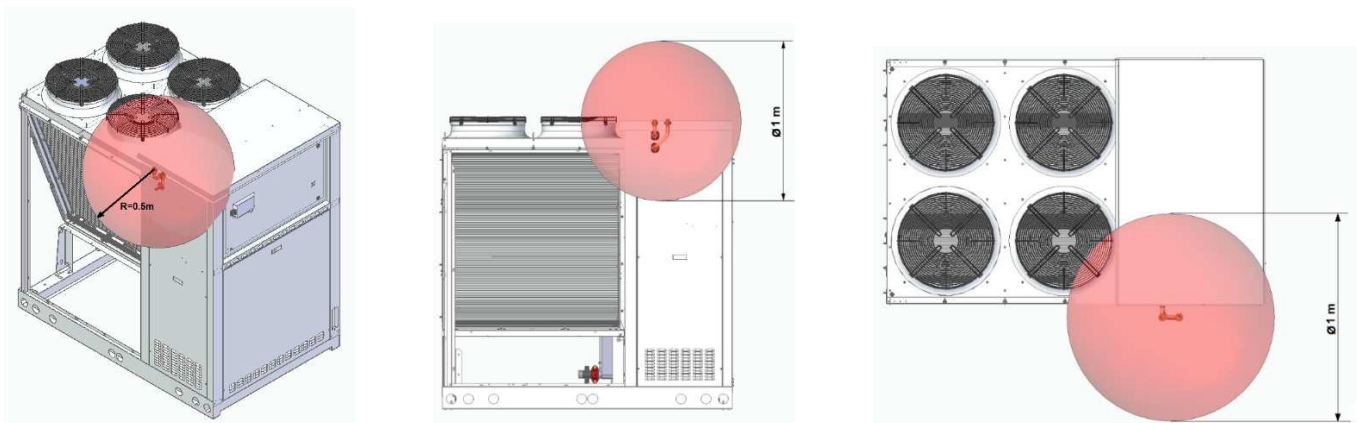


**5. INSTALLATION**

- Les unités avec source air et réfrigérant R454B doivent être installées à l'extérieur afin de garantir des niveaux de risque très bas.
- Le réfrigérant est plus lourd que l'air et peut stagner, par exemple sous terre ou au niveau du sol, en atteignant des concentrations inflammables. Pour éviter l'amorçage, maintenir un environnement sécurisé à l'aide d'une ventilation adéquate.



- Ne pas installer les unités avec source air et réfrigérant R454B dans les demi sous-sols ou les sous-sols qui ne sont pas conformes aux exigences de la norme EN 378-3:2016 - paragraphe 5 (détection de gaz, ventilation, système d'alarme, etc.).
- S'il existe une possibilité de stagnation du réfrigérant émis, par exemple sous terre, il faut respecter les exigences de la norme EN 378-3:2016 sur la détection de gaz, la ventilation et les systèmes d'alarme.
- Les unités R454B installées à l'extérieur doivent être placées de manière à ce que le réfrigérant ne s'écoule pas à l'intérieur du bâtiment en cas de fuite et qu'il ne présente pas de risque pour des personnes, des animaux ou des choses. En cas de fuite, s'assurer que le réfrigérant ne s'infiltré pas à travers des bouches de ventilation, des portes, des trappes ou autre. En cas d'installation de l'unité à l'extérieur avec un abri, assurer une ventilation forcée ou naturelle adéquate.
- Les unités R454B sont équipées de soupapes régulatrices de pression (PRV - Pressure Release Valve). En cas de surpression, il est possible que le réfrigérant soit expulsé à travers les PRV. Les sorties des vannes doivent être directes de l'enveloppe de l'unité vers l'extérieur, dans des zones sûres élevées (au moins 1 m au-dessus du sol et avec la bouche d'évacuation vers le haut, pour améliorer la dispersion) et à l'écart de sources d'amorçage potentielles (installations électriques pouvant causer des arcs ou des étincelles, surfaces chaudes, flammes, etc.). Les exigences de la réglementation EN 378-2:2016, 6.2.14 s'appliquent si nécessaire aux sources d'amorçage. Une zone de sécurité d'un rayon d'au moins 0,5 m doit être présente à proximité de la ventilation PSV. L'absence de flammes, d'étincelles, de surfaces chaudes ou d'autres sources d'inflammation possibles doit être garantie dans cette zone. Pour une explication plus approfondie, voir l'image ci-dessous :



Outre les arcs électriques, les étincelles, les surfaces chaudes, les flammes, etc., il faut également prendre en compte d'autres sources d'inflammation :

- Courants électriques vagabonds et protection cathodique contre la corrosion : pour éviter les sources d'inflammation, faire attention quand l'unité NX est installée à proximité de lignes de chemin de fer, de fours à induction électromagnétique, de grands systèmes de soudage ou d'autres appareils qui pourraient générer des courants vagabonds.

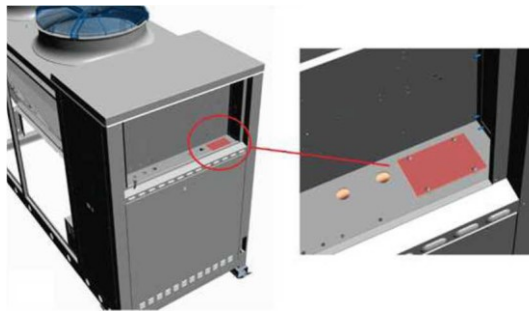
Les courants vagabonds peuvent circuler à travers des systèmes conducteurs d'électricité ou des parties de ceux-ci :

- les courants de retour dans les systèmes de production d'électricité - en particulier à proximité des lignes de chemins de fer électriques et des grandes installations de soudage - lorsque, par exemple, les composants des systèmes conducteurs d'électricité tels que les rails ou le gainage des câbles posés sous terre diminuent la résistance de cette voie de retour ;
- suite à un court-circuit ou à un court-circuit à terre dû à des pannes des installations électriques ;
- suite à une induction magnétique (par exemple à proximité d'installations électriques avec des courants élevés ou des radiofréquences).

Si des parties d'un système en mesure de transporter des courants vagabonds sont débranchées, branchées ou court-circuitées (y compris en cas de légères différences de potentiel), cela pourrait générer une atmosphère explosive due à la présence d'étincelles et/ou d'arcs électriques. Il est également possible que l'inflammation se produise à cause du réchauffement de ces parcours de courant.

Il est possible que les risques d'inflammation susmentionnés soient également présents en cas d'utilisation d'une protection cathodique contre la corrosion à courant imposé. Toutefois, en utilisant des anodes sacrificielles, le risque d'inflammation due à des étincelles électriques est peu probable, sauf si les anodes sont en aluminium ou en magnésium.

- Étincelles générées mécaniquement : en raison d'un déséquilibre ou de dommages des roulements, les pales d'un ventilateur peuvent frotter ou entrer en collision avec les grilles et les buses ; la friction, l'impact ou l'abrasion peuvent entraîner une surchauffe ou le détachement de particules solides à haute température, ce qui pourrait être une source potentielle d'inflammation. S'assurer que les ventilateurs ne présentent pas de vibrations ou de bruits anormaux ; en présence de ces éléments, arrêter la machine et informer le service d'assistance.
- Les unités R454B ont une partie du circuit réfrigérant à l'intérieure une enveloppe : la zone potentiellement inflammable pourrait s'étendre au-delà des limites de l'unité, en particulier quand les portes ou les panneaux de l'unité sont ouverts en cas de fuite. Une évaluation des risques devra être effectuée pour définir les exigences du lieu d'installation.
- L'installateur devra fournir la documentation adéquate protégée et clairement lisible, à conserver à proximité du lieu de fonctionnement de l'unité. Elle devra contenir au moins les informations d'inflammabilité du réfrigérant inflammable (voir EN 378-2:2016, 6.4.3.3).
- Le boîtier électrique est conçu pour éviter les concentrations dangereuses de réfrigérant en cas de fuite. Il ne doit pas être modifié en perçant des trous supplémentaires ou en retirant les presse-étoupes. Les câblages doivent répondre aux exigences suivantes : utiliser les plaques appropriées au type d'utilisation pour le passage des câbles (voir le schéma d'exemple joint). Les plaques doivent être percées et équipées de presse-étoupes adaptés au diamètre du câble d'alimentation de l'unité.



## 6. ENTRETIEN

Avant de commencer des travaux sur les circuits réfrigérants, prendre les précautions suivantes :

- Obtenir un permis de travailler sur des parties chaudes (le cas échéant) ;
- S'assurer que la zone de travail ne présente pas de matériaux inflammables ou de sources d'amorçage ;
- S'assurer que des moyens d'extinction d'incendie adéquats sont disponibles dans les environs immédiats (CO<sub>2</sub> ou poudre sèche) ;
- Avant toute intervention sur le circuit réfrigérant, ou avant de commencer des opérations de soudure ou de brasage, s'assurer que la zone de travail est bien ventilée. Si nécessaire, pour la dispersion des vapeurs de réfrigérant, en particulier dans des espaces confinés, utiliser des moyens de ventilation supplémentaire adaptés à du réfrigérant R454B, comme des souffleurs ou des ventilateurs. (cela vaut pour tous les réfrigérants) ;
- S'assurer que la zone comporte des détecteurs de gaz inflammables adéquats et fonctionnels, pour avertir les travailleurs en cas de concentrations de réfrigérant dangereuses, en particulier en cas de travail sur des parties chaudes ;
- S'assurer que le détecteur de fuites utilisé ne peut pas produire d'étincelles, qu'il est scellé correctement et qu'il est sûr ;
- Afficher des panneaux d'avertissement adéquats, par exemple : « interdit de fumer » et « accès interdit » ;
- S'assurer que tous les outils et équipements de protection individuelle nécessaires sont disponibles ;
- S'assurer que le personnel d'entretien a été formé correctement.

REMARQUE : si possible, il est recommandé de transférer l'installation de l'endroit où elle est installée à un atelier, où il sera possible d'effectuer les travaux en sécurité.

Avant de commencer des travaux sur les circuits réfrigérants, suivre cette procédure :

- Éliminer le réfrigérant (préciser la pression résiduelle) ;

- Purger le circuit avec du gaz inerte (ex. azote) ;
  - Évacuer à une pression de 30 kPa absolue (0,03 MPa) ;
  - Purger à nouveau avec du gaz inerte (ex. azote) ;
  - Ouvrir le circuit.
- Ne pas braser des tuyaux ou des composants contenant du réfrigérant. Avant d'ouvrir le circuit, le réfrigérant doit être récupéré ou éliminé. Pour ouvrir les tuyaux, utiliser un outil de découpe des tuyaux. Ne pas utiliser de flammes libres. Avant le brasage, vérifier avec un détecteur de réfrigérant qu'il n'y a pas d'atmosphère potentiellement inflammable. Ne pas utiliser de flammes jusqu'à ce que l'environnement de travail ne soit pas ventilé correctement.
  - S'il faut retirer des compresseurs ou éliminer des huiles de compresseurs, évacuer à un niveau acceptable, afin d'éviter la présence de réfrigérant inflammable dans le lubrifiant.
  - Utiliser uniquement des outils pour récupérer du réfrigérant adaptés à une utilisation avec des réfrigérants inflammables. Les équipements pour récupérer le réfrigérant HFC pourraient ne pas avoir été testés avec des réfrigérants inflammables. Si les réglementations nationales permettent d'évacuer du réfrigérant, cela doit être fait en sécurité, par exemple en utilisant un tuyau flexible, afin d'évacuer le réfrigérant à l'extérieur dans une zone sûre. Empêcher la formation d'une concentration de réfrigérant inflammable explosible à proximité de sources d'amorçage ou la pénétration à l'intérieur des bâtiments.
  - Au terme de réparations, vérifier les dispositifs de sécurité, comme les détecteurs de réfrigérants et les systèmes de ventilation mécanique, et noter les résultats.
  - Rétablir les éventuelles étiquettes manquantes ou illisibles sur les composants du circuit de réfrigérant.
  - Lors de l'identification de fuites de réfrigérant, ne pas utiliser de sources d'amorçage.
  - Les opérations d'entretien et les réparations exigeant l'intervention de personnel expert doivent être effectuées sous la supervision de personnel expert pour manipuler les réfrigérants inflammables. Les personnes effectuant des travaux d'entretien courant ou exceptionnel sur une installation ou des composants reliés à l'installation doivent posséder une compétence conforme à la réglementation EN 13313.

Les personnes travaillant sur l'unité devront posséder les compétences nécessaires pour manipuler en sécurité les réfrigérants inflammables, garanties par une formation appropriée. Cela inclut les éléments suivants :

- Connaissance de lois, réglementations et normes concernant les réfrigérants inflammables ;
- Connaissance détaillée et expérience dans la gestion de réfrigérants inflammables, utilisation d'équipements de protection individuelle, prévention des fuites de réfrigérant, manipulation de bonbonnes, chargement, recherche de fuites, récupération et élimination.

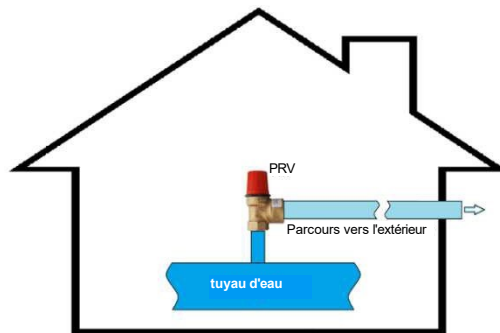


## 7. CIRCUIT HYDRAULIQUE

En cas de panne, l'échangeur de chaleur de l'unité pourrait relâcher du réfrigérant dans le circuit de l'eau. Pour réduire au minimum le relâchement de réfrigérant dans des zones confinées à travers des canalisations, le côté eau de l'échangeur de l'unité MEHITS est équipé d'une soupape régulatrice de pression (PRV) pour le relâchement du réfrigérant dans l'atmosphère. L'installateur est chargé de concevoir et protéger le circuit de l'eau (canalisations, ventilateurs, réservoirs, etc.), en prenant en compte les PRV, la pression de hauteur manométrique de la pompe, l'altitude, etc. La porte de sortie de la PRV doit être directe de l'enveloppe vers l'extérieur, dans une zone sûre à l'écart de sources d'amorçage éventuelles (installations électriques, surfaces chaudes, flammes, etc.).

Faire attention à la forme du circuit hydraulique d'eau : elle doit être en mesure d'éviter l'évacuation de réfrigérant dans les zones desservies par l'eau ou de la solution saline. Ce qui suit peut être considéré comme conforme à cette exigence :

- Les réservoirs/vases d'expansion, les réservoirs d'eau ouverts et similaires doivent être installés à l'extérieur. Au cas où seraient déjà installés à l'intérieur, il faudra les remplacer par des modèles hermétiques ou les déplacer à l'extérieur.



- Éviter d'installer des PRV sur des canalisations hydrauliques dans un bâtiment ; si possible, installer les PRV directement à l'extérieur du bâtiment ou les relier à des canalisations évacuant le réfrigérant directement à l'extérieur. Il n'y aura en aucun cas des points d'évacuation de réfrigérant dans des espaces occupés (seules les bouches de ventilation manuelle sont autorisées).

À sceller après  
l'installation en cas  
d'installation dans des  
locaux fermés.



- Les éventuelles bouches de ventilation automatiques du circuit hydraulique à l'intérieur de bâtiments devront être scellées après leur installation.

TYPE HERMÉTIQUE  
interne ou externe



TYPE OUVERT  
externe  
seulement



- S'il n'est pas possible de déplacer ces points potentiels d'évacuation de la salle des machines à l'extérieur, la salle des machines devra être conforme aux exigences de la norme EN 378-3:2016, clause 5 (détection de gaz, alarmes, ventilation, etc.).
- Si l'unité a besoin d'être réparée, vérifier qu'il n'y a pas de réfrigérant dans l'eau ou la solution saline.

HANDBUCH R454B  
C0211308-06-23-DE

**Handbuch:  
Installation, Wartung, Transport und Lagerung von  
Chiller und Wärmepumpen mit Luftkondensation und  
Kältemittel R454B**

**R R454B**





## 1. ALLGEMEINES

Dieses Dokument ist ein Anhang zum Installationshandbuch. Es enthält Informationen über die Sicherheit von Chiller und Wärmepumpen mit Luftkondensation, die das Kältemittel R454B enthalten und werden unter Beachtung der europäischen Normen und Richtlinien erstellt. Die nationalen Gesetze und die vor Ort gültigen Bauvorschriften haben auf jeden Fall Priorität.

Die in diesem Dokument beschriebenen Geräte mit Luftkondensation sind:

- Chiller
- Wärmepumpen
- Geräte mit R454B für die gleichzeitige unabhängige Erzeugung von Warm- und Kaltwasser.

Die folgenden Informationen sollen dem Installateur helfen, unter Sicherheitsbedingungen zu arbeiten, gelten aber nicht als Ersatz für die vollständige Risikobewertung für die Installation des Geräts. Die Risikobewertung dient zur Beurteilung direkter Risiken der Verletzung oder Beschädigung infolge der am Installationsort vorhandenen Gefahren.

Die Inbetriebnahme, der Anlauf, die Wartung, die Außerbetriebsetzung und sonstige Tätigkeiten am Gerät müssen von ausgebildetem Fachpersonal nach den Normen und den vor Ort gültigen Vorschriften ausgeführt werden.

Für Flaschen und Anlagen, die das Kältemittel R454B enthalten, sind die Vorgehensweisen für die Lagerung und Handhabung laut EN 378-3:2016 zu befolgen. Alle Personen, die an Kältekreisläufen arbeiten, müssen volle Kenntnis über entflammbare Kältemittel und die damit verbundenen Risiken besitzen.

HINWEIS: Der auf Wunsch gelieferte Leckdetektor gilt nicht als Sicherheitseinrichtung. Er dient nur zur Erfassung von Verlusten.

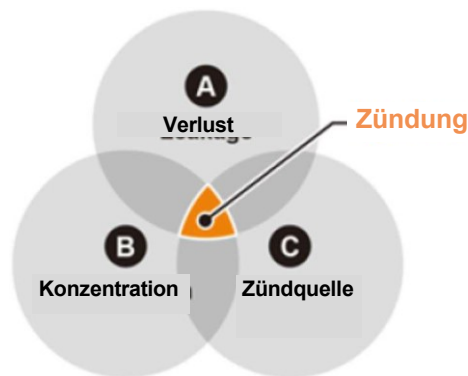


## 2. EIGENSCHAFTEN DES KÄLTEMITTELS

Das Kältemittel R454B ist als schwer entflammbar und nicht toxisch klassifiziert (A2L nach ISO/ASHRAE). Schwer entflammbar bedeutet, dass es unter den drei nachstehend genannten Bedingungen langsam brennen könnte. Fällt eine der drei Bedingungen weg, besteht keine Brandgefahr und es kann als sicher betrachtet werden.

Trotzdem gibt ein Großteil der Kältemittel bei Kontakt mit Flammen giftige Gase ab.

Die entflammbaren Kältemittel (Klasse A2L und höher) brennen nicht, solange die Konzentration unterhalb der unteren Enflammbarkeitsgrenze (LEL) bleibt.



Das Entflammbarkeitsrisiko der MEHITS-Geräte mit Kältemittel R454N ist minimal. Nach vor Ort gültigen Vorschriften könnte jedoch eine Analyse der am Installationsort vorhandenen Risiken erforderlich sein.

Nachstehend sind einige Merkmale des R454B angegeben:

<b>Nomen ASHRAE/ ISO817</b>	R454B
PED-Gruppe	1
ASHRAE-Sicherheitsklasse	A2L
Ozonabbau Potenzial (R11 = 1)	0
GWP AR5 (AR4) (CO2 = 1)	467 (466)
Zusammensetzung - Gewichtsanteil	R32 = 68,9 % R1234yf = 31,1 %
Temperatur gesättigte Flüssigkeit (1) @ 1 atm	-50,5
Praktischer Grenzwert (kg/m³)	0,039
Unterer Wert zwischen ATEL oder ODL (kg/m³)	0,358
LFL @ 23 °C, 50% RF (% v/v)	11,7
LFL (kg/m3)	0,303
UFL @ 23 °C, 50% RF (% v/v)	22,0
UFL (kg/m3)	0,569
Dichte(1) @ 21 °C, 1atm (kg/m³)	2,63
Brenngeschwindigkeit (cm/s)	5,2
Min. Entzündungsenergie (mJ) (ASTM E582-13)	100 - 300
Molekularmasse	62,61
Selbstentzündungstemperatur (°C) (ASTM E659-15)	498
Oberflächentemperatur Zündung (°C) (ASTM E659-18)	>800



### 3. TRANSPORT

Die Geräte müssen nach den vor Ort gültigen Vorschriften transportiert werden. Die max. Kältemittelmenge wird von den gültigen Transportbestimmungen festgelegt.



In Europa wird der Transport durch das Übereinkommen über die internationale Beförderung gefährlicher Güter auf der Straße (ADR) geregelt. Dieses Übereinkommen sieht die teilweise Freistellung vor, wenn die Gesamtmenge des vom LKW transportierten Kältemittels 1000 Punkte nicht überschreitet (1 kg A2L = 3 Punkte; 1 kg A1 = 1 Punkt). Ein LKW könnte beispielsweise Folgendes transportieren:

- 10 Einheiten zu je 100 kg R410 -> Gesamtpunkte: 1000
- 10 Einheiten zu je 33 kg R454B -> Gesamtpunkte: 1000
- 4 Einheiten zu je 200 kg R410 + 2 Einheiten zu je 33 kg R454B -> Gesamtpunkte: 1000

Einfache Sicherheitsgegenmaßnahmen erlauben eine teilweise Freistellung von den Normen des ADR. Bsp:

- Feuerlöscher auf dem LKW
- Beleuchtungsgerät ohne Funkenbildung auf dem LKW
- Rotes Kennzeichen auf äußerer Verpackung (schon von MEHITS angebracht)

**ACHTUNG:** DAS GERÄT BESITZT EIN SICHERHEITSVENTIL ZUR DRUCKENTLASTUNG, AUS DEM KÄLTEMITTEL AUSTRETEN KÖNNTE, WENN DAS GERÄT HOHEN TEMPERATUREN AUSGESETZT WIRD. **DIE TRANSPORTTEMPERATUR DARF NICHT MEHR ALS 50 °C BETRAGEN.**



**4. LAGERUNG**

Die Chiller-Geräte oder Wärmepumpen mit Luftkondensation und Kältemittel R454B müssen im Freien gelagert werden. Die Lagerung muss den anwendbaren Normen, lokalen Gesetzen und bestehenden Bauvorschriften entsprechen:

**ACHTUNG:** DAS GERÄT BESITZT EIN SICHERHEITSVENTIL ZUR DRUCKENTLASTUNG, AUS DEM KÄLTEMITTEL AUSTRETEN KÖNNTE, WENN DAS GERÄT HOHEN TEMPERATUREN AUSGESETZT WIRD. **DIE LAGERUNGSTEMPERATUR DARF 50 °C NICHT ÜBERSCHREITEN.**

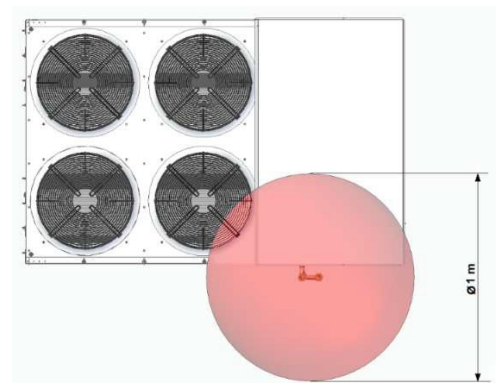
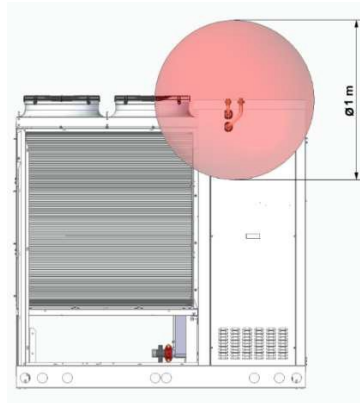
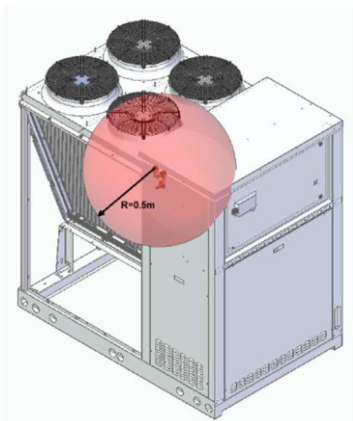


**5. INSTALLATION**

- Die Geräte mit Luftkondensation und Kältemittel R-454B müssen im Freien installiert werden; dadurch wird ein sehr niedriges Risikoniveau gewährleistet.
- Das Kältemittel ist schwerer als Luft, kann sich daher zum Beispiel unter der Erde oder am Boden stauen und entflammbare Konzentrationen erreichen. Um die Zündung zu vermeiden, ist mittels geeigneter Belüftung für die Sicherheit der Umgebung zu sorgen.



- Geräte mit Luftkondensation und Kältemittel R454B dürfen nicht im Tiefparterre oder unterirdischen Räumen installiert werden, es sei denn, diese erfüllen die Anforderungen der DIN EN 378-3:2016 - Abs. 5 (Gasmeldung, Belüftung, Alarmsystem usw.). Falls die Möglichkeit einer Stauung von ausgetretenem Kältemittel besteht, beispielsweise unter dem Boden, müssen die Anforderungen der Norm EN 378-3:2016 hinsichtlich Gasdetektion, Lüftung und Alarmsystemen erfüllt werden.
- Die im Freien installierten R454B-Geräte müssen so angeordnet sein, dass austretendes Kältemittel das Gebäudeinnere nicht erreichen kann und keine Gefährdung für Personen, Tiere und Sachen darstellt. Es ist sicherzustellen, dass das Kältemittel bei Leckage nicht durch Lüftungsöffnungen, Türen, Klappen oder Ähnliches eindringen kann. Wenn das Gerät im Freien mit einer Schutzeinrichtung installiert wird, muss die ausreichende natürliche oder zwangsweise Belüftung gewährleistet sein.
- Die R454B-Geräte sind mit Sicherheitsventilen für die Druckentlastung (PRV - Pressure Release Valve) ausgestattet. Bei Überdruck kann das Kältemittel durch die PRV auslaufen. Die Ausgänge dieser Ventile müssen vom Gerätegehäuse ins Freie in Bereiche mit hoher Sicherheit führen (mindestens 1 m über dem Boden und Auslass nach oben gerichtet, um die Abführung zu verbessern) und möglichst weit entfernt von Zündquellen sein (Elektroanlagen, die Lichtbögen oder Funken erzeugen könnten, heiße Oberflächen, Flammen usw.). Wo erforderlich, sind die Anforderungen der Norm EN 378-2:2016, 6.2.14 hinsichtlich Zündquellen zu erfüllen. In der Nähe der PSV-Belüftung muss ein Sicherheitsbereich mit einem Radius von mindestens 0,5 m vorhanden sein. Dieser Bereich muss garantiert frei von Flammen, Funken, heißen Oberflächen oder anderen möglichen Zündquellen sein. Siehe nachstehende Abbildung für eine umfassendere Erläuterung:



Außer Bögen, Funken, heißen Oberflächen, Flammen usw. müssen auch andere Zündquellen berücksichtigt werden:

- Elektrische Streuströme und kathodischer Korrosionsschutz: Um Zündquellen zu vermeiden ist Vorsicht geboten, wenn die NX-Einheit in der Nähe von Eisenbahnlini­en, elektromagnetischen Induktionsöfen, großen Schweißanlagen oder anderen Geräten, die Streuströme induzieren könnten, installiert ist.

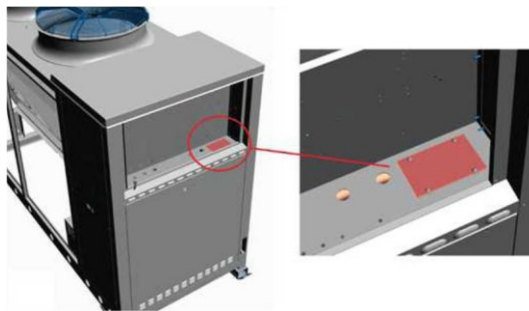
Streuströme können durch elektrisch leitende Systeme oder Teile davon fließen, wie die im Folgenden aufgeführten:

- Rückströme in Systemen zur Stromerzeugung - insbesondere in der Nähe von elektrischen Eisenbahnlini­en und großen Schweißanlagen - wenn beispielsweise Komponenten elektrisch leitender Systeme, wie Schienen oder die Ummantelung von unterirdisch verlegten Kabeln, den Widerstand dieser Rückleitung verringern;
- infolge eines Kurzschlusses oder eines Erdschlusses aufgrund von Defekten an den elektrischen Anlagen;
- infolge von magnetischer Induktion (z. B. in der Nähe von elektrischen Anlagen mit hohen Strömen oder Radiofrequenzen).

Wenn Teile eines Systems, die Streuströme führen können, getrennt, verbunden oder kurzgeschlossen werden (auch im Falle leichter Spannungsunterschiede), kann eine explosionsfähige Atmosphäre durch das Vorhandensein von Funken und/oder elektrischer Lichtbögen gezündet werden. Außerdem ist es möglich, dass die Zündung aufgrund des Erhitzens solcher Stromwege erfolgt.

Es ist möglich, dass die oben genannten Entzündungsrisiken auch bei Nutzung des kathodischen Korrosionsschutzes mit eingepägtem Strom auftreten. Bei der Verwendung von Opferanoden ist das Risiko einer Entzündung durch elektrische Funken jedoch unwahrscheinlich, es sei denn, die Anoden sind aus Aluminium oder Magnesium.

- Mechanisch erzeugte Funken: Aufgrund einer Unwucht oder Lagerschäden können Ventilatorschaufeln schleifen oder gegen Gitter und Düsen stoßen. Reibung, Aufschlag oder Abrieb können zur Überhitzung oder Ablösung von Feststoffpartikeln mit hoher Temperatur führen, die eine potenzielle Zündquelle darstellen könnten. Sicherstellen, dass die Ventilatoren keine ungewöhnlichen Vibrationen oder Geräusche verursachen. Wenn dies der Fall ist, die Maschine stoppen und den Kundendienst davon informieren.
- Der Kältekreislauf der R454B-Geräte befindet sich teilweise innerhalb eines Gehäuses. Daher könnte sich der potenziell entflamm­bare Bereich bis über die Anlagengrenzen ausdehnen, besonders dann, wenn bei Leckage Türen oder Paneele des Geräts geöffnet werden. Eine Risikobewertung zur Bestimmung der Anforderungen an den Installationsort muss erstellt werden.
- Der Installateur muss eine ausreichend geschützte, klar leserliche Dokumentation übergeben, die in der Nähe des Arbeitsbereichs des Geräts aufzubewahren ist. Sie muss mindestens die Daten über die Entflammbarkeit des entflamm­baren Kältemittels enthalten (siehe EN 378-2:2016, 6.4.3.3).
- Der Elektrokasten ist so gebaut, dass bei Leckagen gefährliche Kältemittelkonzentrationen vermieden werden. Änderungen am Elektrokasten (z. B. zusätzliche Öffnungen oder Entfernen der Kabelniederhalter) sind verboten. Die Verkabelungen müssen folgenden Anforderungen entsprechen: Für den Kabeldurchgang müssen entsprechend für den Einsatz vorbereitete Platten verwendet werden (siehe beiliegende Zeichnung). Die Platten müssen gelocht und mit Kabelniederhaltern ausgestattet sein, die dem Durchmesser des Geräte-Speisekabels entsprechen.



## 6. WARTUNG

Bevor begonnen wird, an Kältekreisläufen zu arbeiten, sind die folgenden Vorsichtsmaßnahmen zu treffen:

- Eine Erlaubnis für Heißenarbeiten einholen (falls erforderlich).
- Sicherstellen, dass im Arbeitsbereich keine brennbaren Materialien oder Zündquellen vorhanden sind.
- Kontrollieren, ob geeignete Brandbekämpfungsmittel (CO<sub>2</sub> oder Trockenpulver) in unmittelbarer Nähe vorhanden sind.
- Vor dem Arbeiten am Kältekreislauf oder vor Beginn von Schweiß- bzw. Lötarbeiten sicherstellen, dass der Arbeitsraum gut belüftet ist. Für das Kältemittel R454B geeignete zusätzliche Belüftungsgeräte, wie Gebläse oder Ventilatoren verwenden, um die Kältemitteldämpfe besonders in begrenzten Räumen besser abzuführen. (Dies gilt für alle Kältemittel).
- Sicherstellen, dass sich geeignete, funktionstüchtige Detektoren für entflamm­bare Gase im Arbeitsbereich befinden, die dem Personal besonders bei Heißenarbeiten gefährliche Kältemittelkonzentrationen melden.
- Der verwendete Leckdetektor darf keine Funken bilden, muss abgedichtet und eigensicher sein.
- Geeignete Warnschilder aufstellen, wie zum Beispiel: „Rauchen verboten“ und „Betreten verboten“.
- Alle notwendigen Geräte und persönlichen Schutzausrüstungen müssen zur Verfügung stehen.
- Das zuständige Wartungspersonal muss ausreichend geschult sein.

HINWEIS: Falls möglich, sollte die Anlage vom Installationsort in eine Werkstatt gebracht werden, wo unter Sicherheitsbedingungen gearbeitet werden kann.

Bevor begonnen wird, an Kältekreisläufen zu arbeiten, ist der folgende Vorgang erforderlich:

- Das Kältemittel entfernen (den Restdruck angeben).
- Den Kreislauf mit Inertgas (z.B. Stickstoff) spülen.
- Bei 30 kPa Absolutdruck (0,03 MPa) entleeren.
- Nochmals mit Inertgas durchspülen (z.B. Stickstoff).
- Den Kreislauf öffnen.

- Keine Rohrleitungen oder Komponenten löten, die Kältemittel enthalten. Das Kältemittel muss rückgewonnen oder beseitigt werden, bevor der Kältekreislauf geöffnet wird. Zum Öffnen von Rohrleitungen Rohrschneider verwenden. Keine freien Flammen verwenden. Vor dem Löten mit einem Kältemitteldetektor kontrollieren, ob eine potenziell entflammbare Atmosphäre vorhanden ist. So lange keine Flammen verwenden, bis der Arbeitsraum ausreichend gelüftet ist.
- Wenn Verdichter oder Verdichteröle entfernt werden sollen, auf ein akzeptables Niveau ablassen, um zu vermeiden, dass sich entflammbares Kältemittel im Öl befindet.
- Zum Rückgewinnen des Kältemittels nur solche Geräte verwenden, die für entflammbare Kältemittel geeignet sind. Geräte zum Rückgewinnen von HFC-Kältemitteln könnten keinem Test mit entflammbaren Kältemitteln unterzogen worden sein. Wenn das Ablassen von Kältemittel nach den nationalen Bestimmungen erlaubt ist, muss dies in sicherer Weise vorgenommen werden, zum Beispiel unter Verwendung eines flexiblen Schlauchs, um das Kältemittel im Freien in einem sicheren Bereich abzulassen. Es ist zu vermeiden, dass sich in der Nähe von Zündquellen eine explosionsfähige Konzentration von entflammbarem Kältemittel bildet oder dass dieses in Gebäude eindringt.
- Nach erfolgter Reparatur die Sicherheitseinrichtungen, wie Kältemitteldetektoren und mechanische Belüftungssysteme kontrollieren und die Kontrollergebnisse aufzeichnen.
- Fehlende oder unleserliche Schilder an den Bauteilen des Kältekreislaufes wechseln.
- Zum Ermitteln von Kältemittelverlusten keine Zündquellen verwenden.
- Wartungs- und Reparaturarbeiten, die den Einsatz von fachkundigen Personen erfordern, müssen unter der Aufsicht von Personal erfolgen, das Erfahrung mit der Handhabung von entflammbaren Kältemitteln besitzt. Alle Personen, die ordentliche oder außerordentliche Wartungsarbeiten an einer Anlage oder an mit der Anlage verbundenen Bauteilen durchführen, müssen über eine Kompetenz laut EN 13313 verfügen.

Jede Person, die am Gerät arbeitet, muss die erforderlichen Kenntnisse für die sichere Handhabung von entflammbaren Kältemitteln besitzen, die durch eine gezielte Schulung übermittelt worden sind. Dazu gehört Folgendes:

- Kenntnis von Gesetzen, Normen und Vorschriften, die sich auf entflammbare Kältemittel beziehen.
- Genaue Kenntnis und Erfahrung beim Umgang mit entflammbaren Kältemitteln, bei der Verwendung persönlicher Schutzausrüstungen, bei der Verhütung von Kältemittelverlusten, bei der Handhabung von Flaschen, beim Füllen, Feststellen von Leckage, Rückgewinnen und Entsorgen.



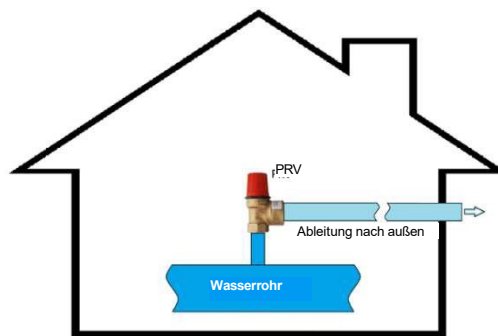
## 7. HYDRAULIKKREIS

Im Störfall könnte Kältemittel vom Wärmetauscher des Geräts in den Wasserkreislauf gelangen. Um das Austreten von Kältemittel über Rohrleitungen in benachbarte Bereiche zu verringern, ist der Wärmetauscher des MEHITS-Geräts wasserseitig mit einem Sicherheitsventil zur Druckentlastung (PRV) ausgestattet, damit das Kältemittel in die Atmosphäre entweichen kann. Der Installateur ist für die Planung und den Schutz des Wasserkreislaufs (Rohrleitungen, Ventilatoren, Behälter usw.) verantwortlich und muss dabei die Druckentlastung, die Förderhöhe der Pumpe, das geodätische Maß usw. berücksichtigen.

Der Ausgangsport des PRV muss vom Gehäuse in einen sicheren Bereich im Freien führen, der möglichst weit entfernt von Zündquellen liegt (Elektroanlagen, heiße Oberflächen, Flammen usw.).

Der Wasserkreislauf muss so gestaltet sein, dass das Austreten von Kältemittel in Bereiche verhindert wird, die mit Wasser oder Salzlösung versorgt werden. Diese Anforderung kann folgendermaßen erfüllt werden:

- Ausdehnungsgefäße/-behälter, offene Wasserbehälter und Ähnliches müssen im Freien installiert werden. Wenn Behälter/Ausdehnungsgefäße bereits in geschlossenen Räumen installiert wurden, müssen sie durch hermetische Ausführungen ersetzt oder nach außen versetzt werden.



- Es ist zu vermeiden, Druckentlastungsventile an hydraulischen Rohrleitungen im Gebäudeinneren zu installieren; falls möglich, die Druckentlastungsventile direkt außerhalb des Gebäudes installieren oder an Rohrleitungen anschließen, die das Kältemittel direkt ins Freie leiten. Aus keinem Grund darf es Stellen geben, an denen Kältemittel in besetzte Räume abgegeben wird (nur manuelle Lüftungsöffnungen sind erlaubt).

Bei Installation in geschlossenen Räumen nach der Inbetriebnahme abdichten.



- Automatische Lüftungsöffnungen des Hydraulikkreises innerhalb von Gebäuden müssen nach der Inbetriebnahme abgedichtet werden.

HERMETISCH  
Innen oder außen



OFFEN  
Nur außen



- Wenn diese potenziellen Stellen der Freisetzung nicht vom Maschinenraum nach außen verlegt werden können, muss der Maschinenraum die Anforderungen der Norm EN 378-3:2016, Klausel 5 (Gasmeldung, Alarme, Lüftung usw.) erfüllen.
- Falls eine Reparatur des Geräts erforderlich ist, muss kontrolliert werden, dass kein Kältemittel im Wasser oder in der Salzlösung vorhanden ist.

**MANUAL R454B**  
C0211308-06-23-ES

**Manual:**  
**Instalación, Mantenimiento, Transporte y Almacenamiento**  
**de chiller y bombas de calor con fuente aire con**  
**refrigerante R454B**

**R R454B**





## 1. GENERALIDADES

Este documento constituye un anexo del manual de instalación principal. Contiene información sobre la seguridad para chiller y bombas de calor con fuente aire con refrigerante R454B, redactada sobre la base de las normativas y directivas europeas. De todos modos, tendrán siempre prioridad las leyes nacionales y los procedimientos de fabricación locales.

Las unidades con fuente aire tratadas en este documento son:

- Chiller
- Bombas de calor
- Unidades para la producción simultánea e independiente de agua caliente y fría que contienen R454B.

La siguiente información puede ayudar al instalador a trabajar en condiciones seguras, pero no sustituye evaluaciones de riesgos completas para la instalación de la unidad. La evaluación de los riesgos sirve para evaluar los riesgos directos de lesiones o daños sobre la base de los peligros identificados en el lugar de instalación.

La puesta en obra, el arranque, el mantenimiento, la puesta fuera de servicio y otras actividades en la unidad deben ser realizados por personal formado y cualificado, con arreglo a las normativas y los procedimientos locales.

Las botellas y las instalaciones que contienen refrigerante R454B requieren procedimientos de almacenamiento y desplazamiento con arreglo a la normativa EN 378-3:2016. Quien trabaja en los circuitos refrigerantes debe conocer perfectamente los refrigerantes inflamables y los riesgos resultantes de su uso.

NOTA: el detector de pérdidas suministrado bajo pedido no constituye un dispositivo de seguridad. Se debe utilizar solamente para detectar pérdidas.

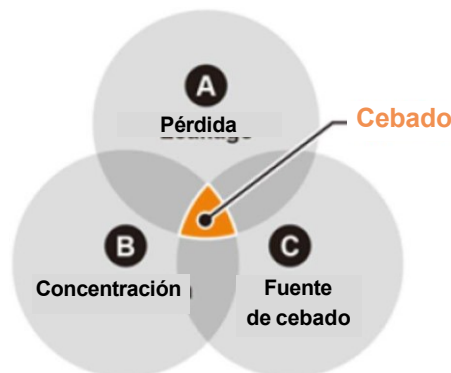


## 2. PROPIEDADES DEL REFRIGERANTE

El refrigerante R454B está clasificado como ligeramente inflamable y no tóxico (A2L según ISO/ASHRAE). Ligeramente inflamable indica que en las tres condiciones abajo indicadas podría quemar lentamente. Si se elimina una de las tres condiciones no hay riesgo de incendio y se puede considerar seguro.

Sin embargo, la mayoría de los refrigerantes emite gases tóxicos cuando está en contacto con las llamas.

Los refrigerantes inflamables (clase A2L y superior) no se incendian si la concentración permanece por debajo del límite inferior de inflamabilidad (LFL).



El riesgo de inflamabilidad de las unidades MEHITS con refrigerante R454B es mínimo. Sin embargo las normativas locales podrían requerir un análisis de los riesgos en el lugar de instalación.

A continuación se indican algunas propiedades de R454B:

Nombre ASHRAE/ ISO817	R454B
Grupo PED	1
Clasificación Seguridad ASHRAE	A2L
Potencial de Deterioro del Ozono (R11 = 1)	0
GWP AR5 (AR4) (CO2 = 1)	467 (466)
Composición - % Peso	R32 = 68.9 % R1234yf = 31.1 %
Temperatura Líquido Saturado(1) @ 1 atm	-50,5
Límite Práctico (kg/m3)	0,039
Inferior entre ATEL y ODL (kg/m3)	0,358
LFL @ 23°C, 50% HR (% v/v)	11,7
LFL (kg/m3)	0,303
UFL @ 23°C, 50% HR (% v/v)	22,0
UFL (kg/m3)	0,569
Densidad(1) @ 21 °C, 1atm (kg/m3)	2,63
Velocidad de Combustión (cm/s)	5,2
Energía Mínima de Encendido (mJ) (ASTM E582-13)	100 - 300
Masa molecular	62,61
Temperatura de autoencendido (°C) (ASTM E659-15)	498
Temperatura superficial de Encendido (°C) (ASTM E659-18)	>800



### 3. TRANSPORTE

Las unidades se deben transportar de conformidad con las leyes locales. La cantidad máxima de refrigerante será la que indican las leyes vigentes sobre los transportes.



Para los transportes en Europa se aplica el acuerdo europeo para el transporte internacional de mercancías peligrosas por carretera (ADR). Este acuerdo prevé la exención parcial si el refrigerante total transportado con el camión no supera 1000 puntos (1 kg de A2L = 3 puntos; 1 kg de A1 = 1 punto). Por ejemplo, el camión podría transportar:

- 10 unidades, cada una con 100 kg de R410 -> Puntos totales: 1000
- 10 unidades, cada una con 33 kg de R454B -> Puntos totales: 1000
- 4 unidades, cada una con 200 kg de R410 + 2 unidades, cada una con 33 kg de R454B -> Puntos totales: 1000

Simple contramedidas de seguridad permiten una exención parcial del ADR. Ej.

- Extintor en el camión
- Antorcha que no produzca chispas en el camión
- Etiqueta roja en el embalaje exterior (ya aplicada por MEHITS)

**ATENCIÓN:** LA UNIDAD DISPONE DE UNA VÁLVULA DE SEGURIDAD PARA LA SOBREPRESIÓN QUE PODRÍA HACER SALIR EL REFRIGERANTE EN CASO DE QUE SE EXPONGA LA UNIDAD A LAS ALTAS TEMPERATURAS. **LA TEMPERATURA DE TRANSPORTE NO DEBE SUPERAR LOS 50 °C.**



**4. ALMACENAMIENTO**

Las unidades chiller y bombas de calor con fuente aire con refrigerante R454B se deben almacenar al aire libre. El almacenamiento debe ser conforme a las normativas aplicables, las leyes locales y las reglas de fabricación existentes:

**ATENCIÓN:** LA UNIDAD DISPONE DE UNA VÁLVULA DE SEGURIDAD PARA LA SOBREPRESIÓN QUE PODRÍA HACER SALIR EL REFRIGERANTE EN CASO DE QUE SE EXPONGA LA UNIDAD A LAS ALTAS TEMPERATURAS. **LA TEMPERATURA DE ALMACENAMIENTO NO DEBE SUPERAR LOS 50 °C.**



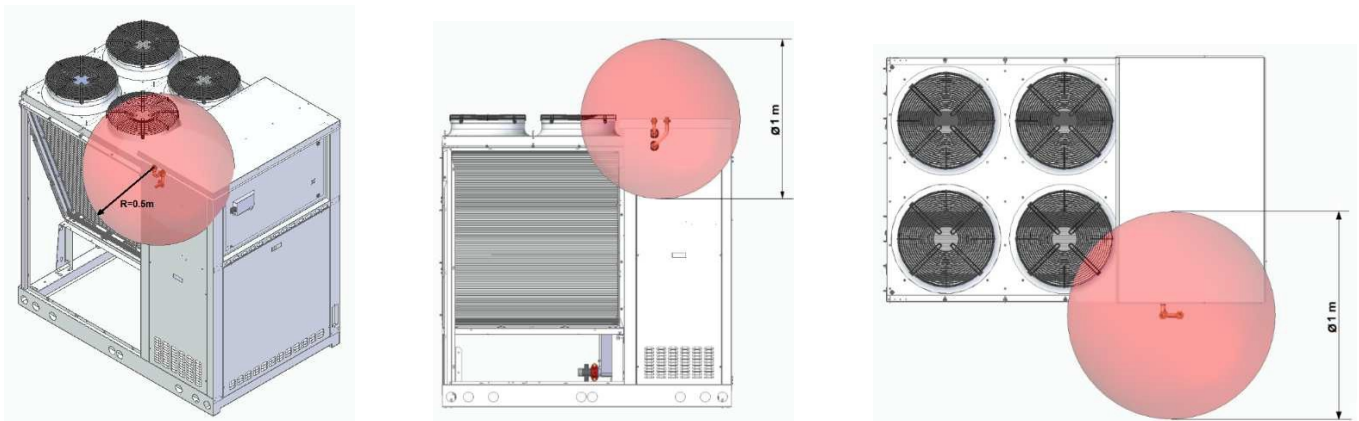
**5. INSTALACIÓN**

- Las unidades con fuente aire con refrigerante R454B se deben instalar al aire libre; esto asegura niveles de riesgo muy bajos
- El refrigerante es más pesado que el aire y puede restañar, por ejemplo debajo de tierra o a nivel del pavimento, alcanzando concentraciones inflamables. Para evitar el cebado, mantener un ambiente seguro mediante una ventilación adecuada.



- No instalar las unidades con fuente aire con refrigerante R454B en semisótanos o locales subterráneos no conformes a los requisitos de la normativa EN 378-3:2016 - apdo. 5 (detección de gas, ventilación, sistema de alarma, etc.).
- En caso de que exista la posibilidad de restañamiento del refrigerante salido, por ejemplo debajo tierra, será necesario cumplir los requisitos de la norma EN 378-3:2016 sobre la detección de gas, la ventilación y los sistemas de alarma.
- Las unidades R454B instaladas al aire libre deben estar situadas de tal modo que en caso de pérdidas el refrigerante no fluya en el interior del edificio y no sea peligroso para las personas, los animales o las cosas. Asegurarse de que en caso de pérdidas no haya penetración de refrigerante a través de bocas de ventilación, puertas, trampas o similares. En caso de instalación de unidades al aire libre con protección, asegurar una ventilación forzada o natural adecuada.
- Las unidades R454B están equipadas con válvulas de seguridad para sobrepresión (PRV - Pressure Release Valve). En caso de sobrepresión es posible que se expulse el refrigerante a través de las PRV. Las salidas de las válvulas deben estar orientadas desde la envoltura de la unidad hacia el aire libre, en zonas seguras elevadas (por lo menos 1 m desde el nivel del suelo y con la boca de descarga hacia arriba, para mejorar la dispersión) y lejos de posibles fuentes de cebado (instalaciones eléctricas que podrían causar arcos o chispas, superficies calientes, llamas, etc.). Cuando sea necesario, se aplican los requisitos de la normativa EN 378-2:2016, 6.2.14 en lo que se refiere a las fuentes de cebado.

Cerca de la ventilación PSV es necesario mantener una zona de seguridad de al menos 0,5 m de radio; en esta zona hay que asegurar que no haya llamas, chispas, superficies calientes u otras posibles fuentes de ignición. Para una mejor explicación, consulte la siguiente figura:



Además de arcos, chispas, superficies calientes, llamas, etc., es necesario tener en cuenta otras fuentes de ignición:

- o *Corrientes eléctricas vagabundas y protección catódica frente a la corrosión:* para evitar fuentes de ignición, tenga cuidado si la unidad NX se instala cerca de ferrocarriles, hornos de inducción electromagnética, grandes sistemas de soldadura u otros aparatos que puedan inducir corrientes vagabundas.

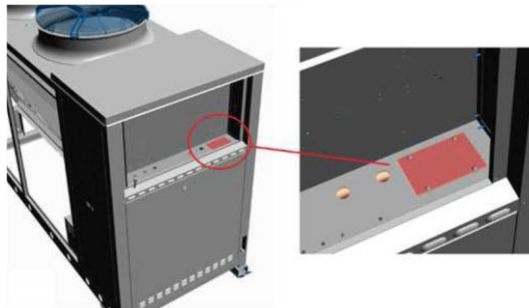
Las corrientes vagabundas pueden fluir en los sistemas conductores de electricidad o en partes de ellos, como por ejemplo:

- corrientes de retorno en sistemas de generación de energía - especialmente en las proximidades de ferrocarriles eléctricos y grandes sistemas de soldadura - cuando, por ejemplo, componentes de sistemas conductores de electricidad como los rieles y el revestimiento de cables colocados bajo tierra disminuyen la resistencia del recorrido de la corriente de retorno;
- como resultado de un cortocircuito o de un cortocircuito a tierra debido a fallos en las instalaciones eléctricas;
- como resultado de inducción magnética (por ejemplo, cerca de las instalaciones eléctricas con corrientes elevadas o radiofrecuencias).

Si se desconectan, conectan o puentean partes de sistemas capaces de transportar corrientes vagabundas (incluso en el caso de diferencias de potencial ligeras), es posible que se produzca una atmósfera explosiva debido a chispas y/o arcos eléctricos. Además, es posible que la ignición se produzca también por el calentamiento de estos recorridos de corriente.

Los riesgos de ignición mencionados anteriormente también son posibles cuando se utiliza una protección catódica anticorrosiva de corriente impresa. Sin embargo, si se utilizan ánodos de sacrificio, los riesgos de ignición debidos a chispas eléctricas son poco probables, a menos que los ánodos sean de aluminio o magnesio.

- o *Chispas producidas mecánicamente:* debido a un desequilibrio o a un daño en los cojinetes, las aspas de un ventilador pueden arrastrarse o impactar contra las rejillas y boquillas; la fricción, el impacto o la abrasión pueden provocar un sobrecalentamiento o el desprendimiento de partículas sólidas a alta temperatura, lo que podría representar una potencial fuente de ignición. Asegúrese de que en los ventiladores no haya vibraciones o ruidos anormales; de lo contrario, detenga la máquina e informe al servicio técnico.
- Las unidades R454B forman parte del circuito refrigerante en el interior de una envoltura: la zona potencialmente inflamable podría extenderse más allá de los límites de la unidad, sobre todo cuando se abren puertas o paneles de la unidad a consecuencia de pérdidas. Se deberá realizar una evaluación de los riesgos para la definición de los requisitos del lugar de instalación.
- El instalador deberá proporcionar documentación protegida de forma adecuada y claramente legible, que se guardará en las cercanías del lugar operativo de la unidad. Deberá contener por lo menos los datos de inflamabilidad del refrigerante inflamable (ver EN 378-2:2016, 6.4.3.3).
- La caja eléctrica está diseñada para evitar concentraciones de refrigerante peligrosas en caso de pérdidas. No se debe modificar realizando orificios adicionales o quitando los sujetacables. Los cableados deben cumplir los siguientes requisitos: para el paso de los cables utilizar placas adecuadas para el tipo de uso (véase el dibujo ejemplificador adjunto). Las placas deben estar taladradas y provistas de sujetacables adecuados para el diámetro del cable de alimentación de la unidad.



## 6. MANTENIMIENTO

Antes de empezar los trabajos en los circuitos refrigerantes tomar las siguientes precauciones:

- Obtener un permiso para trabajar en las piezas calientes (si se requiere);
- Asegurarse de que en el área de trabajo no haya materiales inflamables o fuentes de cebado;
- Asegurarse de que en las cercanías inmediatas estén disponibles medios de extinción de incendios apropiados (CO2 o polvo seco);
- Antes de empezar a trabajar en el circuito refrigerante, o antes de iniciar las operaciones de soldadura, asegurarse de que el área de trabajo esté ventilada de modo apropiado. Si es necesario para la dispersión de los vapores de refrigerante, sobre todo en espacios limitados, utilizar medios de ventilación adicionales adecuados para el refrigerante R454B, como sopladores o ventiladores. (Esto se aplica a todos los refrigerantes);
- Asegurarse de que en el área haya detectores de gas inflamables adecuados y eficientes, para avisar a los trabajadores en caso de concentraciones de refrigerante peligrosas, sobre todo cuando se trabaja con piezas calientes;
- Asegurarse de que el detector de pérdidas utilizado no pueda producir chispas, esté sellado de forma adecuada y sea intrínsecamente seguro;
- Exponer carteles de aviso adecuados; por ejemplo: "prohibido fumar" y "prohibido el acceso";
- Asegurarse de que estén disponibles todos los instrumentos y los dispositivos de protección individual necesarios;
- Asegurarse de que los encargados del mantenimiento estén formados de modo apropiado.

NOTA: si es posible, se recomienda trasladar la instalación desde la posición de instalación a un taller, donde se podrán realizar los trabajos en condiciones de seguridad.

Antes de empezar los trabajos en los circuitos refrigerantes seguir este procedimiento:

- Eliminar el refrigerante (especificar la presión residual);
- Purgar el circuito con gas inerte (p.ej. nitrógeno);

- Evacuar a una presión de 30 kPa absoluta (0,03 MPa);
- Volver a purgar con gas inerte (p.ej. nitrógeno);
- Abrir el circuito.
- No soldar tuberías o componentes que contienen refrigerante. Antes de abrir el circuito se debe recuperar o eliminar el refrigerante. Para abrir las tuberías utilizar un cortatubos. No utilizar llamas libres. Antes de la soldadura controlar con un detector de refrigerante que no haya atmósferas potencialmente inflamables. No usar llamas si el ambiente de trabajo no está ventilado de forma adecuada.
- Si se deben retirar compresores o aceites de compresores, evacuar hasta un nivel aceptable, para evitar que el lubricante contenga refrigerante inflamable.
- Utilizar solamente instrumentos para la recuperación de refrigerante que sean adecuados para el uso con refrigerantes inflamables. Los equipos para la recuperación de refrigerante HFC podrían no haber sido probados con refrigerantes inflamables. Si las normativas nacionales permiten la descarga del refrigerante, esta operación se debe realizar en condiciones de seguridad, por ejemplo utilizando un tubo flexible para descargar el refrigerante en el exterior en un área segura. No permitir la formación de una concentración de refrigerante inflamable explosiva en las cercanías de fuentes de cebado, o la penetración en el interior de edificios.
- Una vez finalizadas las reparaciones, controlar los dispositivos de seguridad, como detectores de refrigerantes y sistemas de ventilación mecánica, y registrar los resultados.
- Restaurar eventuales etiquetas faltantes o ilegibles en los componentes del circuito refrigerante.
- Durante la identificación de pérdidas de refrigerante no utilizar fuentes de cebado.
- Los mantenimientos y las reparaciones que requieren la intervención de personal experto se deben realizar bajo la supervisión de personal experto en la manipulación de refrigerantes inflamables. Cualquier persona que realice trabajos de mantenimiento ordinario o extraordinario en una instalación, o en componentes conectados a la instalación, deberá poseer la competencia que se indica en la normativa EN 13313.

Cualquier persona que trabaje en la unidad deberá poseer las competencias necesarias para una manipulación segura de refrigerantes inflamables, soportadas por la evidencia de un training apropiado. Esto incluirá lo que se indica a continuación:

- Conocimiento de leyes, normativas y estándares relacionados con los refrigerantes inflamables;
- Conocimiento detallado y experiencia en la gestión de los refrigerantes inflamables, uso de dispositivos de protección individual, prevención de las pérdidas de refrigerante, manipulación de botellas, carga, detección de pérdidas, recuperación y eliminación.



## 7. CIRCUITO HIDRÁULICO

En caso de avería el intercambiador de calor de la unidad podría liberar refrigerante en el circuito del agua. Para minimizar la liberación de refrigerante en áreas limitadas mediante tuberías, el lado agua del intercambiador de la unidad MEHITS está equipado con una válvula de seguridad para sobrepresión (PRV) para la liberación del refrigerante en la atmósfera. El instalador tiene la responsabilidad de diseñar y proteger el circuito del agua (tuberías, ventiladores, depósitos, etc.), teniendo en cuenta la PRV, la presión de altura de elevación bomba, la cota geodésica, etc.

La puerta de salida de la PRV debe estar orientada desde la envoltura hacia el aire libre, en una zona segura y lejana de posibles fuentes de cebado (instalaciones eléctricas, superficies calientes, llamas, etc.).

Prestar atención a la conformación del circuito hidráulico agua: debe permitir prevenir la liberación de refrigerante en las áreas donde llega agua o solución salina. Lo siguiente cumple el requisito indicado anteriormente:

- Depósitos/vasos de expansión, depósitos de agua abiertos y similares se deben instalar en el exterior. En caso de que ya estén instalados en un ambiente cerrado, se deberán sustituir con tipos herméticos o situar en el exterior.



- Evitar la instalación de PRV en tuberías hidráulicas en el interior del edificio; si es posible instalar las PRV directamente en el exterior del edificio o conectarlas a tuberías que descarguen el refrigerante directamente al exterior. Por ningún motivo habrá puntos de liberación de refrigerante en espacios ocupados (están permitidas solamente las bocas de ventilación manual).

Se debe sellar tras la puesta en obra en caso de instalación en locales cerrados.



- Las eventuales bocas de ventilación automáticas del circuito hidráulico en el interior de edificios se deberán sellar tras la puesta en obra.

TIPO HERMÉTICO  
interior o exterior



TIPO ABIERTO  
sólo exterior



- En caso de que no sea posible desplazar estos puntos de liberación potencial desde la sala de máquinas al exterior, la sala de máquinas deberá cumplir los requisitos de la normativa EN 378-3:2016, cláusula 5 (detección de gas, alarmas, ventilación, etc.).
- En caso de que la unidad necesite de reparación, controlar que no haya refrigerante en el agua o solución salina.

R454B MANUAL  
C0211308-06-23-SV

**Manual:**  
**Installation, underhåll, transport och förvaring**  
**av luftburna kylmaskiner och värmepumpar**  
**med R454B-köldmedium**

**R R454B**





## 1. ALLMÄN INFORMATION

Det här dokumentet är en bilaga till huvudmanualen och innehåller säkerhetsinformation för luftburna kylmaskiner och värmepumpar som använder R454B-köldmedium, med referenser till EU-förordningar och -direktiv. Nationell lagstiftning och lokala byggnadsföreskrifter måste alltid följas och prioriteras.

De luftburna maskiner som det här dokumentet gäller för är:

- Kylmaskiner
- Värmepumpar
- Maskiner för samtidig och självständig framställning av varmt och kallt vatten som använder R454B.

Följande information är avsedd för att hjälpa montören att arbeta på ett ordentligt och säkert sätt, men ska inte ses som en ersättning för en fullständig riskbedömning inför montering av maskinen. Riskbedömningen är nödvändig för att avgöra om det föreligger en direkt risk för person- eller materialskada på grund av faror som finns på monteringsplatsen.

Drifftagning, start, underhåll, urdrifftagning och andra åtgärder på maskinen får endast utföras av utbildad och kvalificerad personal i enlighet med lokala standarder och föreskrifter.

Cylindrar och utrustning som innehåller R454B-köldmedium måste hanteras och lagras enligt de förfaranden som beskrivs i EN 378-3:2016. Alla personer som arbetar på köldmediekretsen måste vara fullständigt medveten om egenskaperna för brandfarliga köldmedier och tillhörande risker. OBS: den läckagedetektor som kan levereras med maskinen vid efterfrågan anses inte vara säkerhetsutrustning. Den ska endast användas för att testa om läckor förekommer.

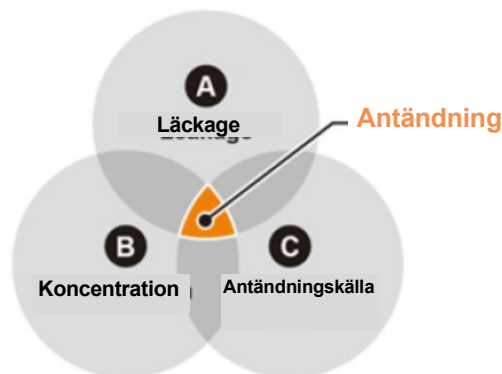


## 2. KÖLDMEDIETS EGENSKAPER

Köldmediet R454B är klassat som lätt brandfarligt och inte giftigt (A2L enligt ISO/ASHRAE). Lätt brandfarligt innebär att under de tre förutsättningar som visas nedan finns det en möjlighet att köldmediet kan brinna långsamt. Om en av de tre förutsättningarna avlägsnas föreligger ingen brandrisk, och därmed anses köldmediet vara säkert då.

Oavsett brandfarligheten så avger de flesta köldmedier en giftig gas om de kommer i kontakt med en öppen låga.

Alla brandfarliga köldmedier (klass A2L och ovan) används inte så länge som koncentrationen hålls lägre än den undre brännbarhetsgränsen (LFL).



De brandrisker som föreligger med MEHITS-maskiner som använder R454B-köldmedium är minimala, men en riskanalys kan behöva utföras på plats beroende på lokala föreskrifter.

Några av R454B:s egenskaper listas nedan:

<b>ASHRAE-/ISO817-namn</b>	R454B
PED-grupp	1
ASHRAE-säkerhetsklass	A2L
Ozonedbrytningsförmåga (R11 = 1)	0
AR5 (AR4) GWP (CO2 = 1)	467 (466)
Sammansättning, viktprocent	R32 = 68,9 % R1234yf = 31,1 %
Saturerad vätsketemperatur(1) vid 1 atm	-50,5
Praktisk gräns (kg/m3)	0,039
Lägre av ATEL eller ODL (kg/m3)	0,358
LFL vid 23 °C, 50 % luftfuktighet (% v/v)	11,7
LFL (kg/m3)	0,303
UFL vid 23 °C, 50 % luftfuktighet (% v/v)	22,0
UFL (kg/m3)	0,569
Densitet(1) vid 21 °C, 1 atm (kg/m3)	2,63
Brinnhastighet (cm/s)	5,2
Minsta antändningsenergi (mJ) (ASTM E582-13)	100 - 300
Molekylmassa	62,61
Självständningstemperatur (°C) (ASTM E659-15)	498
Tändningstemperatur mot het yta (°C) (ASTM E659-18)	>800



### 3. TRANSPORT AV MASKINERNA

Maskinerna får endast transporteras enligt de riktlinjer och regler som anges i lokal lagstiftning. Den största mängd köldmedium som får transporteras bestäms av tillämpliga transportföreskrifter.



För transport i Europa måste man följa ADR (EU:s regelverk för transport av farligt gods på väg). Detta regelverk tillåter för vissa undantag, förutsatt att den totala mängd köldmedium som transporteras på samma lastbil inte överskrider 1 000 enheter (1 A2L motsvarar 3 enheter, 1 kg A1 motsvarar 1 enhet). Till exempel skulle en lastbil kunna lastas som följer:

- 10 maskiner med 100 kg R410 per maskin -> Totala enheter: 1000
- 10 maskiner med 33 kg R454B per maskin -> Totala enheter: 1000
- 4 maskiner med 200 kg R410 per maskin + 2 maskiner med 33 kg R454B per maskin -> Totala enheter: 1000

De undantag från ADR som tillåts görs under vissa väldigt enkla förutsättningar, t.ex.

- Brandsläckare i lastbilen
- Gnistfri ficklampa i lastbilen
- En röd etikett på den yttre förpackningen (sätts på av MEHITS)

**WARNING: MASKINEN HAR TRYCKVENTILER SOM KAN SLÄPPA UT KÖLDMEDIUM OM MASKINEN UTSÄTTS FÖR HÖGA TEMPERATURER. TRANSPORTTEMPERATUREN FÅR INTE ÖVERSKRIDA 50 °C.**



#### 4. FÖRVARING

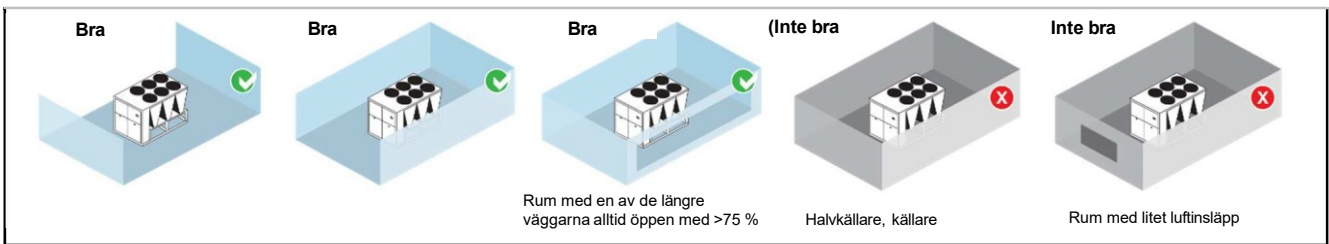
De luftburna kylmaskinerna och värmepumparna som innehåller R454B-köldmedium måste förvaras utomhus. Förvaringsplatsen måste vara i överensstämmelse med tillämpliga förordningar och lokal lagstiftning:

**WARNING: MASKINEN HAR TRYCKVENTILER SOM KAN SLÄPPA UT KÖLDMEDIUM OM MASKINEN UTSÄTTS FÖR HÖGA TEMPERATURER. FÖRVARINGSTEMPERATUREN FÅR INTE ÖVERSKRIDA 50 °C.**

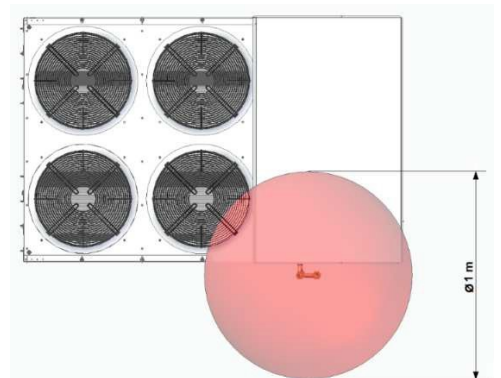
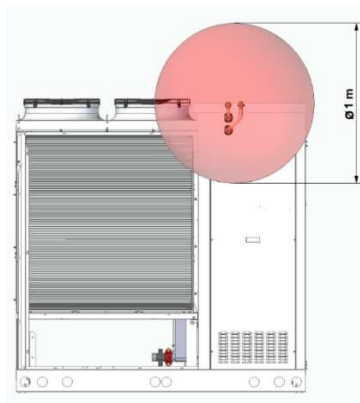
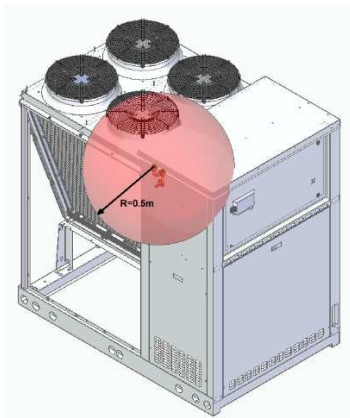


#### 5. MONTERING

- Luftburna maskiner med R454B-köldmedium måste monteras utomhus med fri tillgång till luft. Detta ser till att riskerna som föreligger är mycket låga.
- Köldmediet är tyngre än luft och kan därför ansamlas under mark eller nära golvet, där det kan nå en tillräcklig koncentration för antändning. För att undvika antändning måste ett säkert arbetsområde upprätthållas med tillräcklig ventilation.



- Installera inte luftburna R454B-maskiner i halvkällare eller källare om de inte är i överensstämmelse med SS-EN 378-3:2016 – Del 5 Krav (gasdetektorer, ventilation, larmsystem osv.).
- För R454B-maskiner där ett utsläpp av köldmedium kan leda till en ansamling t.ex. under mark måste monteringen följa kraven i EN 378-3:2016 för gasdetektorer, ventilation och larmsystem.
- R454B-maskiner utomhus måste vara placerade så att köldmediet inte kan ledas in i en byggnad eller på annat vis utgöra en fara för människor, djur eller egendom om en läcka skulle uppstå. Det får inte vara möjligt för köldmediet att komma in genom luftventiler, dörrar eller andra liknande öppningar om en läcka skulle uppstå. Om ett skydd finns för kylutrustning som monteras utomhus måste tvingad ventilation användas om den naturliga inte är tillräcklig.
- R454B-maskinen har säkerhetsstryckventiler (PRV). Köldmedium kan släppas ut från PRV:erna om ett övertryck uppstår. Ventilernas anslutning måste leda ut från maskinens hölje till fri luft utomhus där eventuella utsläpp görs i säkra områden ovan mark (minst 1 m ovan marknivån med utsläppet riktat uppåt för att öka spridningen) och långt från eventuella antändningskällor (elektrisk utrustning som kan skapa gnistor, varma ytor, öppna lågor osv.). Krav gällande antändningskällor i EN 378-2:2016, 6.2.14 gäller där detta är tillämpligt. Stängt till PSV-ventiler ger det en säkerhetszon med en radie på 0,5 m (minst). Med denna volym måste man säkerställa att det inte finns någon eld, gnistor, het yta eller andra möjliga antändningskällor i närheten. Se bilden nedan för en mer tydligare förklaring:



Förutom bäge, gnista, heta ytor, lågor etc. finns det andra antändningskällor som måste beaktas:

- *Skydd mot vagabonderande ström och katodiskt korrosionsskydd:* Var försiktig när NX-enheten installeras nära järnvägar, elektromagnetiska induktionsugnar, stora svetsssystem eller andra apparater som kan inducera vagabonderande ström för att undvika antändningskällor.

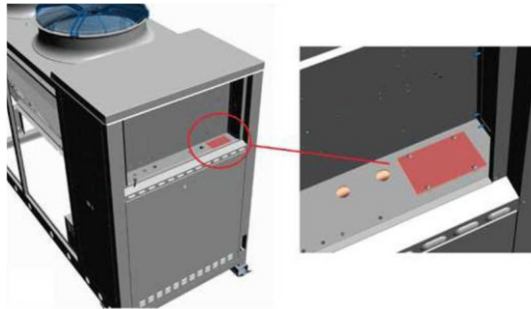
Vagabonderande ström kan flöda i elektriskt ledande system eller delar av system:

- på grund av returström i kraftgenereringssystem – särskilt i närheten av elektriska järnvägar och stora svetsssystem – när, till exempel, ledande elektriska systemkomponenter såsom skenor och kabelmantel som läggs under jord sänker motståndet för denna returströmväg.
- på grund av en kortslutning eller en kortslutning till jorden på grund av fel i elinstallationerna
- på grund av magnetisk induktion (t.ex. nära elektriska installationer med hög ström eller radiofrekvenser)

Om delar av ett system som kan hantera vagabonderande ström kopplas ifrån, ansluts eller överbryggas (även vid små potentialskillnader) kan en explosiv atmosfär antändas till följd av elektriska gnistor och/eller bågar. Dessutom kan gnistbildning också uppstå på grund av uppvärmningen av dessa strömvägar.

När det nuvarande katodiska korrosionsskyddet används är ovan nämnda antändningsrisker också möjliga. Om offeranoder används är det dock osannolikt att antändningsrisker orsakas av elektriska gnistor, såvida inte anoderna består av aluminium eller magnesium.

- *Gnistor som genereras automatiskt:* På grund av obalans eller skador på lagren kan fläktens blad krypa eller stöta mot galler och munstycket. Friktion, stötar eller nötning kan leda till överhettning eller lösgörande av fasta partiklar vid hög temperatur, vilket kan utgöra en potentiell antändningskälla. Se till att fläktarna inte vibrerar onormalt eller ger ifrån sig några ljud. Stoppa i så fall maskinen och informera serviceavdelningen.
- R454B-maskinen är utformad med vissa delar av köldmediekretsen inne i ett hölje. På grund av detta kan området där eventuell brandfara föreligger vara större än utrustningens omkrets – särskilt när luckor och paneler på maskinen öppnas efter en läcka. En riskbedömning måste utföras för att avgöra vilka krav som ställs på den plats där maskinen ska monteras.
- Montören ska förse dokumentation som är tillräckligt skyddad och finns nära maskinens driftplats, och denna måste kunna läsas utan problem. Som minst ska den innehålla information om det brandfarliga köldmediets brandrisker (se EN 378-2:2016, 6.4.3.3).
- Elpanelen är utformad för att förhindra all farlig koncentration av köldmedium i händelse av ett läckage. Den får inte modifieras genom att det borras hål eller tas bort kabelförskruvningar. Kabeldragningen ska utföras i enlighet med följande föreskrifter: Utför kabelgenomföringen med hjälp av den platta som är avsedd för ändamålet (se exempelritning nedan). Borra hål i plattan och förse den med lämpliga kabelförskruvningar för diametern på maskinens elkabel.



## 6. UNDERHÅLL

Följande försiktighetsåtgärder måste följas innan man utför arbete på köldmediekretsen:

- Få tillstånd för arbete på heta komponenter (om det krävs);
- Se till att inga brännbara material förvaras i arbetsområdet och att inga antändningskällor finns i arbetsområdet;
- Se till att lämplig brandsläckningsutrustning (CO<sub>2</sub>- eller pulversläckare) finns tillgänglig inom omedelbart räckhåll;
- Se till att arbetsområdet är tillräckligt ventilerat innan arbete påbörjas på köldmediekretsen eller innan svetsning, hårdlödning eller lödning utförs. Vid behov ska extraventilation som är klassad för R454B-köldmedium, såsom fläktar, användas för att avlägsna ångor från köldmedier, speciellt i trånga utrymmen. (Den här rekommendationen gäller för alla köldmedier);
- Se till att lämpliga detektorer för brandfarlig gas finns på plats och är fungerande så att arbetare varnas om en farlig koncentration av köldmedier uppstår, särskilt när arbete med heta komponenter utförs;
- Se till att den detektionsutrustning som används är gnistfri, tillämpligt tätad och säker;
- Placera ut lämpliga skyltar, till exempel: "rökfritt" och "obehöriga äga ej tillträde";
- Bekräfta att alla lämpliga verktyg och personlig skyddsutrustning finns tillgängliga;
- Se till att underhållspersonal har fått tillräckliga instruktioner.

OBS: Där monteringsarbetet tillåter rekommenderas det att utrustningen tas bort från den befintliga positionen till en kontrollerad verkstad där arbete kan utföras säkert.

Följande steg måste följas innan man utför arbete på köldmediekretsen:

- Töm ut köldmediet (särskilt kvarvarande tryck);
- Rensa kretsen med inert gas (t.ex. kväve);
- Töm med ett tryck på 30 kPa absolut (eller 0,03 MPa);
- Rensa igen med inert gas (t.ex. kväve);
- Öppna kretsen.

- Hårdlödning får inte utföras på rörledningar och komponenter som innehåller köldmedium. Innan kretsen öppnas måste köldmediet samlas in eller pumpas iväg. För att öppna rörledningar får endast rörskärare användas, inga öppna lågor. Innan hårdlödning måste en köldmediedetektor användas för att säkerställa att ingen brandfara föreligger. Använd inte öppna lågor innan arbetsområdet är tillräckligt ventilerat.
- Om kompressorer eller kompressorolja ska tas bort måste man tömma till en lämplig nivå för att se till att det inte finns kvar brandfarligt köldmedium i smörjmedlet.
- Endast utrustning för insamling av köldmedier som har utformats för brandfarliga köldmedier får användas. HFC-utrustning för insamling av köldmedier har eventuellt inte utvärderats för att bekräfta att de är lämpliga för brandfarliga köldmedier. Om lokala regler och föreskrifter tillåter att köldmediet dräneras måste detta utföras på ett säkert sätt, till exempel med en slang, för att tömma ut köldmediet i ett säkert område utomhus. Det är viktigt att se till att en explosiv koncentration av brandfarligt köldmedium inte under några omständigheter kan uppstå nära en antändningskälla eller ta sig in i en byggnad.
- Efter reparationsarbeten måste säkerhetsutrustning – t.ex köldmediedetektorer och mekaniska ventilationssystem – kontrolleras och resultaten skrivs ner.
- Man måste se till att man byter ut alla etiketter som saknas eller inte kan läsas på komponenter i köldmediekretsen.
- Antändningskällor får inte användas när man letar efter en köldmedieläcka.
- Underhåll och reparationer som kräver närvaro av utbildad personal måste utföras under övervakning av en person som är tillämpligt utbildad i användning av brandfarliga köldmedier. Alla som utför underhåll på ett system eller tillhörande komponenter i utrustningen måste leva upp till kraven i EN 13313.

Personal som arbetar på maskinen måste ha en tillräcklig kunskap om hantering av brandfarliga köldmedier, tillsammans med bevis på tillämplig utbildning. Detta inkluderar följande krav:

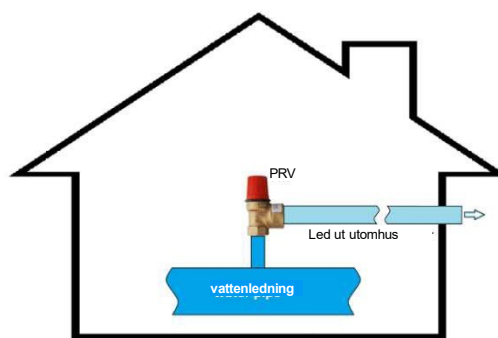
- Kunskap om lagstiftning, regelverk och standarder som rör brandfarliga köldmedier;
- Ingående kunskap och erfarenhet av att hantera brandfarliga köldmedier, personlig skyddsutrustning, sätt att förhindra köldmedieläckor, hantering av cylindrar, laddning, läckagedetektion, insamling och avfallshantering.



## 7. HYDRAULISK VATTENKRETS

Om maskinens värmeväxlare går sönder kan den släppa ut köldmedium i vattenkretsen. För att minska risken för att köldmediet släpps ut inomhus genom vattenledningarna har vattensidan på värmeväxlare i MEHITS-maskiner en säkerhetsstryckventil (PRV, Pressure Release Valve) och gör att köldmediet släpps ut i atmosfären istället. Det är montörens ansvar att utforma och skydda vattenkretsen (rörledningar, fläktpolar, tankar osv.) med tanke på PRV-inställningen, pumpens uppfordringshöjd/tryck, geodetisk sughöjd osv. Anslutningen för PRV måste leda ut från maskinens hölje till fri luft utomhus där eventuella utsläpp görs. Detta måste vara i ett säkert område där det inte finns några eventuella antändningskällor (elektrisk utrustning, varma ytor, lågor osv.). Var noggrann när den hydrauliska vattenkretsen utformas: den måste vara uppbyggd så att man förhindrar att köldmedium släpps ut i områden där vatten/saltlag används. Följande kan anses leva upp till det här kravet:

- Expansionskärl/-tankar, vattenbehållare o.dyl. i öppen version som monteras utomhus. Om dessa redan har monterats inomhus måste de bytas ut mot hermetiska versioner, eller så måste de flyttas utomhus.



- Man ska helst undvika placering av PRV på hydraulledningar som går inne i byggnaden. Om det är möjligt är det istället bättre att montera PRV direkt utanför byggnaden eller ansluta ventilen/ventilerna till en ledning som släpper ut köldmediet utomhus. Utsläppspunkter för köldmedier får inte under några som helst omständigheter ligga i områden där människor kan befinna sig (endast manuella luftventiler tillåts).



Vid installation inomhus måste den förslutas efter drifttagning.

- Alla sorters automatiska luftventiler (AAV) som är monterade på hydraulkretsen inomhus måste förslutas efter drifttagning.

HERMETISK  
VERSION  
inomhus eller  
utomhus



ÖPPEN  
VERSION  
enbart utomhus



- Om det inte är möjligt att flytta dessa utsläppspunkter från maskinrummet så att utsläpp sker utomhus måste själva maskinrummet följa de krav som ställs i EN 378-3:2016, paragraf 5 (gasdetektorer, larm, ventilation osv.).
- Om maskinen måste repareras ska vattnet/saltlagen kontrolleras för att se om köldmedium har läckt ut i det systemet.

# MITSUBISHI ELECTRIC HYDRONICS & IT COOLING SYSTEMS S.p.A.

MANUAL R454B  
C0211308-06-23-DA

## Manual: Installation, Vedligeholdelse, Transport og Opbevaring af chiller og varmepumpe med luftkilde med kølemiddel R454B

R R454B





## 1. GENERELLE OPLYSNINGER

Dette dokument udgør et bilag til den samlede installationsvejledning. Det indeholder oplysninger om sikkerheden for chiller og varmepumper med luftkilde med kølemiddel R454B, redigeret på baggrund af de europæiske forordninger og direktiver. Under alle omstændigheder har de nationale love og de lokale byggeprocedurer prioritet.

Behandlede maskiner i dette dokument:

- Chiller
- Varmepumpe
- Maskine til samtidig og uafhængig produktion af varmt og koldt vand med R454B-indhold.

De efterfølgende oplysninger kan hjælpe installatøren med at arbejde under sikre forhold, men de erstatter dog ikke komplette risikovurderinger for maskinens installation. Risikovurderingen bruges til at vurdere de direkte risici for kvæstelser eller skader på baggrund af de identificerede farer på installationsstedet.

Idriftsætning, igangsætning, vedligeholdelse, nedtagning og andre handlinger på maskinen skal udføres af oplært og kvalificeret personale, i henhold til de lokale bestemmelser og procedurer.

Beholdere og anlæg, som indeholder kølemidlet R454B kræver opbevarings- og håndteringsprocedurer i henhold til standard EN 378-3:2016. De, der arbejder på kølemiddeldkredsløb skal have fuld kendskab til brandbare kølemidler og risici i forbindelse hermed.

**BEMÆRK:** Lækagedetektoren, leveret på forespørgsel, er ikke en sikkerhedsanordning. Den må kun anvendes til at registrere lækager.

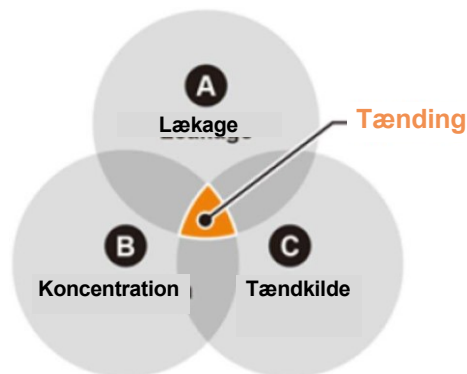


## 2. KØLEMIDLETS EGENSKABER

Kølemidlet R454B er klassificeret som letantændeligt og ikke giftigt (A2L iht. ISO/ASHRAE). Letantændeligt angiver, at midlet ved de tre nedenstående forhold kan brænde langsomt. Hvis man eliminerer et af de tre forhold, er der ikke brandrisiko og det kan derfor betragtes som værende sikkert.

Størstedelen af kølemidler udvikler dog giftige gasser i kontakt med flammer.

De brandbare kølemidler (klasse A2L og herover) antændes ikke, hvis koncentrationen forbliver under den nedre antændelsesgrænse (LFL).



Brandfarligheden på MEHITS maskiner R454B kølemiddel er minimal. Men de lokale bestemmelser kræver muligvis en analyse af installationsstedets risici.

Herunder visse egenskaber for R454B:

Navn ASHRAE/ ISO817	R454B
PED gruppe	1
ASHRAE sikkerhedsklassifikation	A2L
Ozonedbrydningspotentiale (R11 = 1)	0
GWP AR5 (AR4) (CO2 = 1)	467 (466)
Sammensætning - % Vægt	R32 = 68,9 % R1234yf = 31,1 %
Temperatur på mættet væske (1) @ 1 atm	-50,5
Praktiske grænse (kg/m <sup>3</sup> )	0,039
Lavere mellem ATEL og ODL (kg/m <sup>3</sup> )	0,358
LFL @ 23 °C, 50% RF (% v/v)	11,7
LFL (kg/m <sup>3</sup> )	0,303
UFL @ 23 °C, 50% RF (% v/v)	22,0
UFL (kg/m <sup>3</sup> )	0,569
Densitet(1) @ 21 °C, 1atm (kg/m <sup>3</sup> )	2,63
Forbrændings hastighed (cm/s)	5,2
Minimumsantændelsesenergi (mJ) (ASTM E582-13)	100 – 300
Molekylvægt	62,61
Selvantændelsestemperatur (°C) (ASTM E659-15)	498
Antændelsesoverfladetemperatur (°C) (ASTM E659-18)	>800



### 3. TRANSPORT

Maskinerne skal transporteres i overensstemmelse med den lokale lovgivning. Den maksimale kølemiddelmængde fastsættes af de gældende love om transport.



Ved transport i Europa gælder den europæiske konvention om international transport af farligt gods ad vej (ADR). Denne konvention forudsiger en delvis fritagelse hvis den samlede mængde kølevæske, der transporteres på køretøjet, ikke overstiger 1000 point (1 kg A2L = 3 point; 1 kg A1 = 1 point). For eksempel vil køretøjet kunne transportere:

- 10 maskiner med 100 kg R410 hver -> Samlet pointtal: 1000
- 10 maskiner med 33 kg R454B hver -> Samlet pointtal: 1000
- 4 maskiner med 200 kg R410 hver + 2 maskiner med 33 kg R454B hver -> Samlet pointtal: 1000

Enkle modforanstaltninger for sikkerheden tillader en delvis fritagelse fra ADR. Eksempel:

- Brandslukker i køretøjet
- Lygte, som ikke frembringer gnister, i køretøjet
- Rød etiket på ydre indpakning (allerede påsat af MEHITS)

**ADVARSEL:** MASKINEN HAR EN SIKKERHEDSVENTIL TIL OVERTRYK, SOM VIL KUNNE UDLEDE KØLEMIDDEL, HVIS MASKINEN SKULLE BLIVE UDSAT FOR MEGET HØJE TEMPERATURER. **TRANSPORTTEMPERATUREN MÅ IKKE OVERSTIGE 50 °C.**



#### 4. OPBEVARING

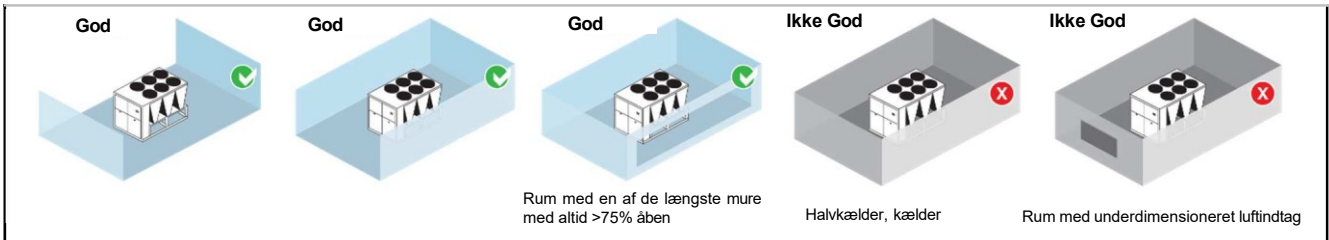
Chiller enhederne og varmepumperne med luftkilde med kølemiddel R454B skal opbevares i fri luft. Opbevaringen skal opfylde kravene i de gældende bestemmelser, de lokale love og de eksisterende konstruktionsregler:

**ADVARSEL:** MASKINEN HAR EN SIKKERHEDSVENTIL TIL OVERTRYK, SOM VIL KUNNE UDLEDE KØLEMIDDEL, HVIS MASKINEN SKULLE BLIVE UDSAT FOR MEGET HØJE TEMPERATURER. **OPBEVARINGSTEMPERATUREN MÅ IKKE OVERSTIGE 50 °C.**

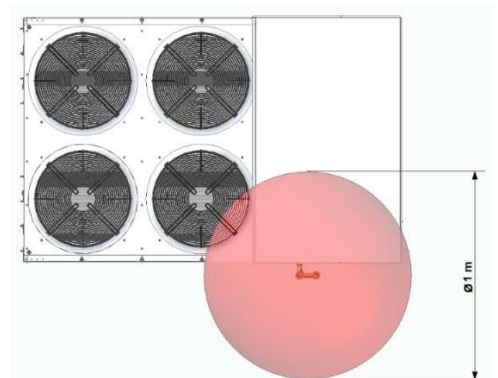
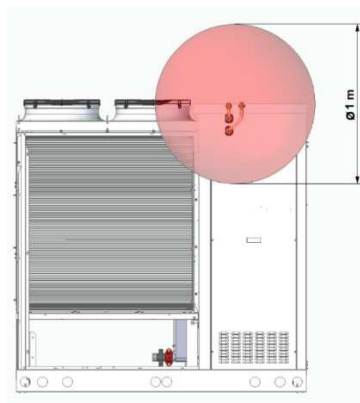
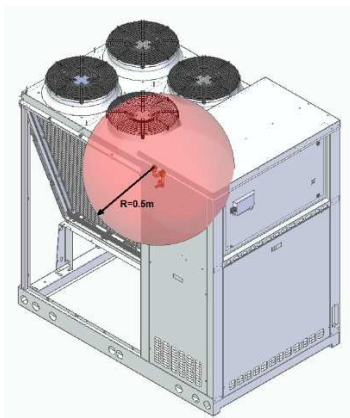


#### 5. INSTALLATION

- Maskinerne med luftkilde med R454B kølemiddel skal installeres udendørs; dette sikrer meget lave risikoniveauer.
- Kølemedlet er tungere end luften og kan stagnere, for eksempel under jorden eller ved gulvniveau, og oparbejde antændelige koncentrationer. For at undgå antændelse skal omgivelsen holdes sikker ved hjælp af en passende ventilation.



- Maskinerne med luftkilde med R454B kølemiddel må ikke installeres i kælderrum med eller uden vinduer, som ikke opfylder kravene i standard EN 378-3:2016 - afs. 5 (detektering af gas, ventilation, alarmsystem, etc.).
- Hvis der er risiko for stagnation af udsluppet kølemiddel, for eksempel under jorden, er det nødvendigt at opfylde kravene i standard EN 378-3:2016 om registrering af gas, ventilation og alarmsystemer.
- R454B maskinerne, som er installeret udendørs, skal anbringes således, at kølevæske i tilfælde af lækager ikke kan strømme ind i bygningen, og ikke udgør en fare personer, dyr eller materiel. Sørg for at kølevæsken i tilfælde af lækager ikke kan trænge igennem ventilationsmundinger, døre, låger eller lignende. I tilfælde af installation af maskinen udendørs med overdækning, skal der sikres en passende forceret eller naturlig ventilation.
- R454B maskinerne er udstyret med sikkerhedsventiler til overtryk (PRV - Pressure Release Valve). I tilfælde af overtryk kan det ske, at der udstødes kølemiddel igennem ventilerne. Ventilernes udløb skal vende væk fra maskinens indkapsling og i retning af fri luft, i sikre og hævede områder (mindst 1 m over gulvniveau og med udstødningens munding vendt opad, for at fremme dispersion) og på lang afstand fra mulige antændingskilder (elektriske anlæg som kan skabe buer eller gnister, varme flader, flammer, etc.). I givet fald anvendes kravene i standard EN 378-2:2016, 6.2.14 om antændingskilder. I nærheden af PSV udluftningspunkterne er der en sikkerhedszone med en radius på (mindst) 0,5 m; i dette område må der ikke være åben ild, gnister, varme flader eller andre antændingskilder. Se den nedenstående figur, for at indhente yderligere detaljer:



Der findes andre antændingskilder, udover buer, gnister, varme flader, åben ild, etc. som der skal tages hensyn til:

- o **Elektriske udligningsstrømme og katodisk korrosionsbeskyttelse:** Vær forsigtig hvis NX enheden installeres i nærheden af jernbaner, elektromagnetiske induktionsovne, store svejsesystemer eller andre apparater, som kan fremkalde udligningsstrømme, for at undgå antændingskilder.

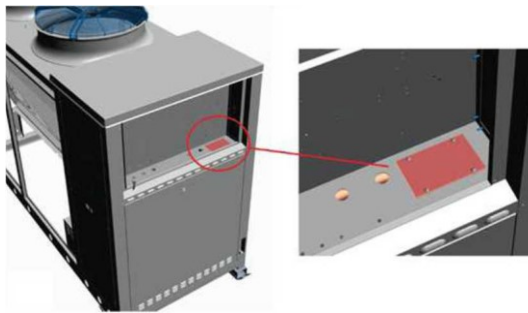
Udligningsstrømme kan vandre i elektrisk førende systemer eller dele af systemer som:

- returstrøm i kraftgeneratorsystemer – især i nærheden af elektriske jernbaner og store svejsesystemer – hvor, for eksempel, førende elektriske systemkomponenter, såsom skinner og kabelkapper lagt under jorden, formindsker modstanden for denne returstrømvej;
- som følge af en kortslutning eller af en kortslutning mod jord på grund af fejl i de elektriske installationer;
- et resultat af magnetisk induktion (f.eks. i nærheden af elektriske installationer med stærkstrøm eller radiofrekvenser)

Hvis dele af et system, som er i stand til at bære udligningsstrømme, frakobles, sammenkobles eller broforbindes (også blot i tilfælde af mindre potentielle forskelle) kan en eksplosiv atmosfære blive antændt som følge af elektriske gnister og/eller buer. Desuden kan antænding også forekomme på grund af opvedning af disse strømveje.

Hvis der anvendes påtrykt-strøm katodisk korrosionsbeskyttelse, foreligger de ovennævnte risici for antænding ligeledes. Men hvis der anvendes offeranoder, er risikoen for antænding på grund af elektriske gnister usandsynlig, med mindre anoderne er af aluminium eller magnesium.

- o **Mekanisk frembragte gnister:** På grund af en ubalance eller beskadigelse af lejerne, vil en blæsers vinger kunne krybe eller støde mod gitre og dyser; friktion eller sammenstød eller afskrabninger kan medføre overophedning eller løsrivelse af faste partikler med en høj temperatur, hvilket vil kunne udgøre en potentiel antændingskilde. Sørg for, at der ikke er unormale vibrationer eller støj fra blæserne; stop i modsat fald maskinen og oplys serviceafdelingen herom.
- R454B maskinerne har en del af kølemiddelkredsløbet bag en afskærmning: Det potentielt brændbare område vil kunne udvide sig til udover maskinens grænser, især hvis maskinens låger eller paneler åbnes efter lækage. Der skal udføres en vurdering af risikoerne, for at definere kravene til installationsstedet.
- Installatøren skal formidle passende beskyttet og let læselig dokumentation, der skal opbevares i nærheden af maskinens driftsområde. Den skal i det mindste indeholde dataene om det brændbare kølemiddels antændelighed (jfr. EN 378-2:2016, 6.4.3.3).
- Den elektriske dåse er konstrueret med henblik på at undgå farlige koncentrationer af kølemiddel i tilfælde af lækage. Den må ikke modificeres ved at udføre supplerende åbninger eller eliminere kabelforskringerne. Kabelføringen skal opfylde følgende krav: Brug egnede plader til kablernes passage til dette formål (se den vedlagte tegning med eksempel). Pladerne skal have åbninger og kabelforskringer, som passer til diameteren på maskinens forsyningskabel.



## 6. VEDLIGEHOLDELSE

Iværksæt følgende foranstaltninger inden der gribes ind på kølekredsløb:

- Indhent tilladelse til arbejde på varme dele (om nødvendigt);
- sørg for at der ikke findes brandbare materialer eller antændingskilder;
- Sørg for at egnede brandslukningsmidler står til rådighed i umiddelbar nærhed (CO<sub>2</sub> eller tørt pulver);
- Sørg for at arbejdsområdet er tilpas ventileret, før indgreb på kølekredsløbet påbegyndes eller inden der udføres handlinger omkring svejsning eller lodning. Hvis nødvendig for spredning af fordampet kølemiddel, især i tilstødende områder, skal der vælges supplerende ventilationsmidler, som egner sig til R454B kølemidler, såsom blæsere eller ventilatorer. (Dette gælder for alle kølemidler);
- Sørg for at der er egnede og fungerende detektorer til brandbar gas i området, som vil advare operatørerne i tilfælde af farlige koncentrationer af kølemiddel, især i tilfælde af arbejde på varme dele;
- Sørg for at den anvendte lækagedetektor ikke kan frembringe gnister og at den er korrekt forseglet og er egensikker;
- Opsæt passende skiltning; for eksempel: "rygning forbudt" og "adgang forbudt";
- Sørg for at alle de nødvendige instrumenter og personlige værnemidler står til rådighed;
- Sørg for at vedligeholdelsespersonalet er blevet passende oplært.

**BEMÆRK:** Hvor dette er muligt anbefales det at flytte anlægget fra installationsstedet til et værksted, hvor man kan udføre indgrebene i sikkerhed.

Følg denne procedure inden der gribes ind på kølekredsløb:

- Eliminér kølemidlet (anfør resttrykket);
- Udrens kredsløbet med ædelgas (eks. nitrogen);
- Udlign til et absolut tryk på 30 kPa (0,03 MPa);
- Udrens igen kredsløbet med ædelgas (eks. nitrogen);
- Åbn kredsløbet.

- Der må ikke udføres lodning på rørledninger, som indeholder kølemiddel. Inden kredsløbet åbnes skal kølemidlet opsamles eller elimineres. Brug rørsikrere til at åbne rørledningerne. Brug aldrig åben ild. Kontrollér inden lodningen med en kølemiddeldetektor, at der ikke findes potentielt brandfarlige atmosfærer. Brug ikke åben ild før arbejdsomgivelsen er blevet tilstrækkeligt udluftet.
- Hvis der skal elimineres kompressorer eller olie fra kompressorer, skal der udtømmes til et passende niveau, for at undgå at der kan være brandbart kølemiddel i smøremidlet.
- Brug kun instrumenter til indsamling af kølemidler, som er egnet til brug med brandbare kølemidler. Redskaber til indsamling af HFC-kølemidler er muligvis ikke blevet testet med brandbare kølemidler. Hvis de lokale bestemmelser tillader udtømning af kølemidlet skal denne foregå på sikker vis, for eksempel ved hjælp af en slange, således at kølemidlet udledes udendørs i et sikkert område. Tillad aldrig at der skabes en koncentration af brandbart kølemiddel i nærheden af antændingskilder, eller at denne kan trænge ind i bygninger.
- Kontrollér sikkerhedsanordningerne, såsom kølemiddeldetektorer og mekaniske udluftningssystemer og nedskriv resultaterne, når reparationerne er fuldført.
- Erstat eventuelt manglende eller ulæselige etiketter på kølekredsløbets komponenter.
- Brug aldrig antændingskilder under søgning efter udslip af kølemiddel.
- Vedligeholdelsesindgreb og reparationer som kræver erfarent personale må udelukkende udføres under opsyn af personale med erfaring i håndtering af brandbare kølemidler. Enhver som foretager ordinære eller ekstraordinære vedligeholdelsesindgreb på et anlæg, eller på komponenter forbundet med anlægget, skal besidde en ekspertise i henhold til EN 13313.

Alle som arbejder på maskinen skal have undergået en dokumenteret og egnet træning og besidde den nødvendige kompetence til sikker håndtering af brandbare kølemidler. Dette omfatter følgende:

- Kendskab til love, bestemmelser og standarder vedrørende brandbare kølemidler;
- Detaljeret kendskab og erfaring i administration af brandbare kølemidler, brug af personlige værnemidler, forebyggelse af kølemiddellækage, håndtering af gasflasker, påfyldning, lækageregistrering, indsamling og bortskaffelse.



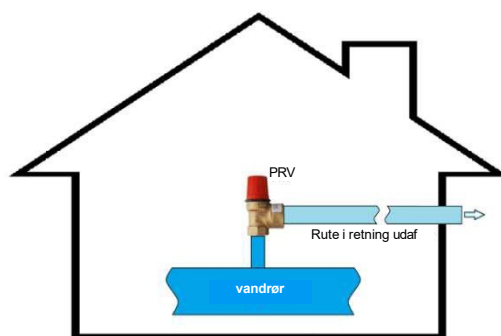
## 7. VANDSYSTEM

I tilfælde af skade vil maskinens varmeveksler kunne udlede kølemiddel i vandkredsløbet. For at undgå udslip af kølemiddel i de tilstødende områder via rørledningerne er vandsiden på MEHITS maskinens varmeveksler udstyret med en sikkerhedsventil til overtryk (PRV) til udledning af kølemidlet i atmosfæren. Det er installatørens ansvar at konstruere og beskytte vandkredsløbet (rørledninger, ventilatorer, beholdere, etc.) samt tage højde for PRV, pumpens løftehøjde, geodætisk højde, etc.

Udløbet fra PRV skal vende væk fra maskinens indkapsling og i retning af fri luft, i et sikkert område langt fra mulige antændingskilder (elektriske anlæg, varme flader, flammer, etc.).

Vær opmærksom på vandsystemets konfiguration: Den skal være i stand til at forebygge udledning af kølemiddel i områder med tilførsel af vand eller saltopløsning. Nedenstående kan betragtes som værende tilfredsstillende for dette krav:

- Ekspansionstanke/beholdere, åbne vandbeholdere og lignende skal installeres udendørs. Hvis disse allerede er installeret i lukkede lokaler, skal de udskiftes med hermetisk lukkede eller flyttes udendørs.



- Undgå installation af PRV på interne hydraulikrør i bygningen; installér, om muligt, PRV ventilerne direkte udenfor bygningen, eller forbind dem med rørledninger, som udleder kølemidlet direkte udendørs. Der vil af ingen årsag kunne være punkter til udledning af kølemiddel i områder med andet indhold (kun manuelle ventilationsmundinger er tilladt).

Skal forsegles efter implementering i tilfælde af installation i lukkede lokaler.



- Eventuelle automatiske ventilationsmundinger på vandsystemet internt i bygninger skal forsegles efter implementering.

HERMETISK TYPE  
indendørs eller  
udendørs



ÅBEN TYPE  
kun udendørs



- Hvis det ikke er muligt at flytte disse punkter med potentiel udledning fra maskinrummet og udenfor, skal maskinrummet opfylde kravene i standard EN 378-3:2016, klausul 5 (detektering af gas, alarmer, ventilation, etc.).
- Hvis enheden har behov for reparation, skal man kontrollere, at der ikke er kølemiddel i vandet eller i saltopløsningen.

# MITSUBISHI ELECTRIC HYDRONICS & IT COOLING SYSTEMS S.p.A.

R454B – OHJEKIRJA  
C0211308-06-23-FI

## Ohjekirja: R454B-kylmäaineella ladattujen ilmakylmä- ja ilmalämpöpumppujen asennus, huolto, kuljetus ja säilytys

R R454B





## 1. YLEISET TIEDOT

Tämä asiakirja on pääasennusoppaan liite. Tässä yhteenvedossa on tietoja R454B-kylmäaineella ladattujen ilmakylmä- ja ilmalämpöpumppujen turvallisuudesta sekä viitteet liittyviin eurooppalaisiin asetuksiin ja direktiiveihin. Kunkin maan kansallisia lakeja sekä paikallisia rakennusmääräyksiä on noudatettava ja ne on asetettava etusijalle.

Tämä dokumentti kattaa seuraavat ilmayksiköt:

- Jäähdyttimet
- Lämpöpumput
- Samanaikaiseen ja riippumattomaan kuumen ja kylmän veden tuotantoon tarkoitetut yksiköt, jotka on ladattu R454B-kylmäaineella.

Alla olevat tiedot auttavat oikeanlaisessa ja turvallisessa asennuksessa, mutta ne eivät korvaa yksikön asennuksen kattavaa riskinarviointia. Riskinarvioinnin avulla määritetään, liittyykö asennuspaikalla tunnistettuihin vaaroihin suora loukkaantumisen tai omaisuusvahingon riski.

Koulutettu ja pätevä henkilöstö huolehtii käyttöönotosta, käynnistyksestä, huollosta, käytöstä poistamisesta ja muusta yksikön toiminnoista sovellettavien paikallisten standardien ja käytäntöjen mukaisesti.

R454B-kylmäainetta sisältävät sylinterit ja laitteet on säilytettävä oikein ja niitä on käsiteltävä huolella standardin EN 378-3:2016 ohjeiden mukaisesti. Kylmäainepiiriä käyttävällä henkilöllä on oltava tarvittava ymmärtämys syttyvistä kylmäaineista ja niihin liittyvistä riskeistä.

**HUOMAUTUS:** vuodon ilmaisija, joka toimitetaan pyydettyessä yksikön mukana, ei ole turvalaite. Sitä käytetään ainoastaan vuotojen testaukseen.

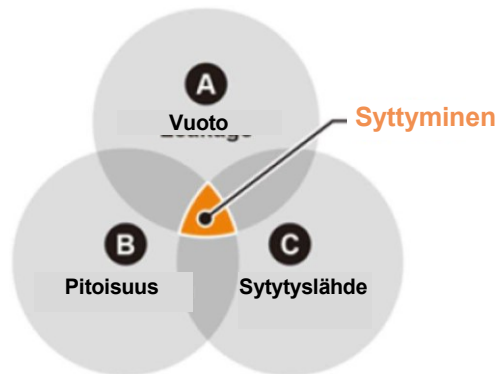


## 2. KYLMÄAINEEN OMINAISUUDET

R454B-kylmäaine luokitellaan lievästi syttyväksi ja myrkyttömäksi aineeksi (ISO-/ASHRAE-standardin luokitus A2L). Lievästi syttyvä tarkoittaa, että kylmäaine voi palaa hitaasti, kun se altistuu alla esitellyille kolmelle olosuhteelle. Tulipalon vaara voidaan välttää ja turvallisuus taata, kun yksi näistä kolmesta olosuhteesta saadaan poistettua.

Useimmat kylmäaineet vapauttavat myrkyllistä kaasua, jos ne joutuvat kosketuksiin paljaan liekin kanssa.

Kaikki palavat kylmäaineet (luokka A2L ja sitä ylemmät) eivät syty, jos niiden pitoisuustaso pysyy tulenarkuuden alimman rajan (LFL) alapuolella.



Vaikka R454B-kylmäaineella ladattujen MEHITS-yksiköiden syttymisriski on erittäin pieni, paikalliset asetukset voivat edellyttää, että asennuspaikalle tehdään riskianalyysi.

Alla on lueteltu joitakin R454B-kylmäaineen ominaisuuksia:

<b>ASHRAE-/ISO817-nimi</b>	R454B
PED-ryhmä	1
ASHRAE-turvallisuusluokitus	A2L
Otsonituhopotentiaali (R11 = 1)	0
AR5 (AR4) GWP (CO2 = 1)	467 (466)
Koostumuksen paino-%	R32 = 68,9 % R1234yf = 31,1 %
Kylläisen nesteen lämpötila(1) @ 1 atm	-50,5
Käytännön raja (kg/m3)	0 039
Alhainen ATEL/ODL (kg/m3)	0 358
Syttyvyys LFL @ 23 °C, 50 % suhteellinen kosteus (% v/v)	11,7
LFL (kg/m3)	0 303
Syttyvyys UFL @ 23 °C, 50 % suhteellinen kosteus (% v/v)	22,0
UFL (kg/m3)	0 569
Tiheys(1) @ 21 °C, 1atm (kg/m3)	2,63
Palamistaso (cm/s)	5,2
Minimi syttymisenergia (mJ) (ASTM E582-13)	100 – 300
Molekyyli massa	62,61
Itsesyttymislämpötila (°C) (ASTM E659-15)	498
Kuuman pinnan syttymislämpötila (°C) (ASTM D8211-18)	>800



### 3. YKSIKKÖJEN KULJETUS

Yksiköiden kuljetuksessa on noudatettava paikallista lainsäädäntöä. Kuljetettavan kylmäaineen enimmäismäärä riippuu sovellettavista kuljetusasetuksista.



Euroopassa kuljetuksessa on noudatettava eurooppalaista sopimusta vaarallisten tavaroiden kansainvälisistä tielukjetuksista (ADR). Asetus sallii osittaisen vapautuksen, jonka mukaan yhdessä kuorma-autossa kuljetettavan kylmäaineen kokonaismäärä ei saa ylittää 1 000 pistettä (1 kg A2L-ainetta vastaa 3 pistettä ja 1 kg A1-ainetta vastaa 1 pistettä). Kuorma-auto voidaan lastata esimerkiksi alla olevilla tavoilla:

- 10 yksikköä ja 100 kg R410-kylmäainetta yksikköä kohti -> pisteet yhteensä: 1 000
- 10 yksikköä ja 33 kg R454B-kylmäainetta yksikköä kohti -> pisteet yhteensä: 1 000
- 4 yksikköä ja 200 kg R410-kylmäainetta yksikköä kohti + 2 yksikköä ja 33 kg R454B-kylmäainetta yksikköä kohti -> pisteet yhteensä: 1 000

Yksinkertaisilla kuljetuksen varotoimilla voidaan saada osittainen vapautus asetuksesta. Niitä ovat esimerkiksi seuraavat:

- Palosammutin kuorma-autossa
- Kipinöimätön taskulamppu kuorma-autossa
- ulkoiseen pakkaukseen lisätty punainen merkintä (MEHITS on lisännyt merkinnän valmiiksi).

**VAROITUS:** YKSIKKÖ ON VARUSTETTU PAINEEN VAPAUTUSVENTTIILEILLÄ, JOTKA VOIVAT VAPAUTTAA KYLMÄAINETTA, JOS YKSIKKÖ ALTISTUU KORKEILLE LÄMPÖILOILLE. **KULJETUSLÄMPÖTILA EI SAA OLLA KORKEAMPI KUIN 50 °C.**



#### 4. SÄILYTYS

R454B-kylmäaineella ladatut ilmakylmä- ja ilmalämpöpumput on varastoitava ulkotiloihin, ja niiden varastoinnissa on noudatettava sovellettavia säädöksiä, paikallista lainsäädäntöä ja rakennusmääräyksiä:

**VAROITUS:** YKSIKKÖ ON VARUSTETTU PAINEEN VAPAUTUSVENTTIILEILLÄ, JOTKA VOIVAT VAPAUTTAA KYLMÄAINETTA, JOS YKSIKKÖ ALTISTUU KORKEILLE LÄMPÖILOILLE. **VARASTOINTILÄMPÖTILA EI SAA OLLA KORKEAMPI KUIN 50 °C.**

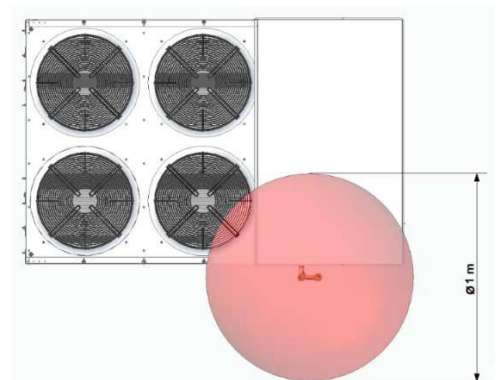
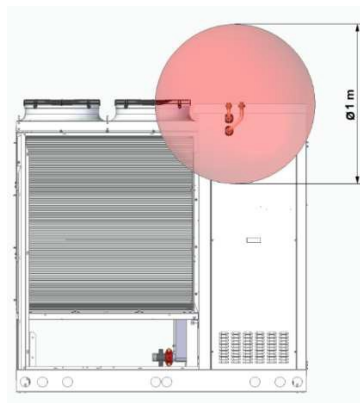
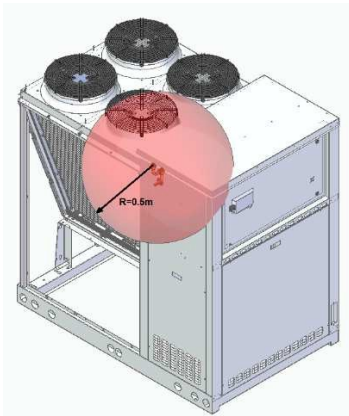


#### 5. ASENNUS

- R454B-kylmäaineella ladatut ilmayksiköt on asennettava ulos avoimeen tilaan. Tällä tavalla varmistetaan matala riski.
- Kylmäaine on ilmaa raskaampaa, ja se voi pysähtyä maanpinnan alapuolella tai lähellä lattiatasoa, jolloin aine voi saavuttaa sytyvän pitoisuuden. Syttymistä voidaan välttää ylläpitämällä työympäristön turvallisuutta asianmukaisella ilmanvaihdolla.



- Älä asenna R454B-ilmapumppuyksiköitä kellaritiloihin, osittain maan alla oleviin tiloihin, jos ne eivät noudata standardin EN 378-3:2016 (osa 5) vaatimuksia (kaasun havaitseminen, tuuletus, hälytysjärjestelmät jne.).
- Sellaisten R454B-yksiköiden kohdalla, joissa kylmäaineen vapautuminen voi pysähtyä esimerkiksi maanpinnan alla, asennuksen on noudatettava standardin EN 378-3:2016 vaatimuksia, jotka koskevat kaasun havaitsemista, ilmanvaihtoa ja hälytysjärjestelmiä.
- Ulkona sijaitsevat R454B-yksiköt on sijoitettava siten, että vuototilanteissa kylmäaine ei pääse virtaamaan rakennukseen tai vahingoittamaan ihmisiä, eläimiä ja omaisuutta. Vuototilanteissa kylmäaineen ei saa olla mahdollisuutta kulkeutua tuuletusaukkojen, oviaukkojen, luukkujen tai muiden vastaavien aukkojen läpi. Jos ulos sijoitetulle jäähdytinlaitteistolle on järjestetty suojakatos, laitteistolle on järjestettävä luonnollinen tai koneellinen ilmanvaihto.
- R454B-yksikkö on varustettu paineen vapautusventtiileillä (PRV). Kylmäainetta voidaan vapauttaa PRV-venttiilien avulla, jos esiintyy ylipainetta. Venttiilien ulostuloliitännät on reititettävä yksikön kotelosta ulkoilmaan ja turvallisille alueille erilleen maasta (vähintään yksi metri maanpinnan yläpuolella ja purkauksen ollessa ylöspäin laimenemisvaikutuksen parantamiseksi) ja mahdollisista sytytyslähteistä (sähkölaitteet, jotka voivat aiheuttaa kipinöitä, kuumat pinnat, liekit jne.). Standardin EN 378-2:2016, 6.2.14 sytytyslähteitä koskevia vaatimuksia sovelletaan tarvittaessa. PSV-venttiilin lähellä on turva-alue, jonka säde on vähintään 0,5 m. Varmista, ettei tällä alueella ole avotulta, kipinöitä, kuumia pintoja tai muita mahdollisia syttymislähteitä. Katso tarkempi esitys alla olevasta kuvasta:



Valokaarien, kipinöiden, kuumien pintojen, avotulen ym. lisäksi olemassa on muita syttymislähteitä, jotka tulee ottaa huomioon:

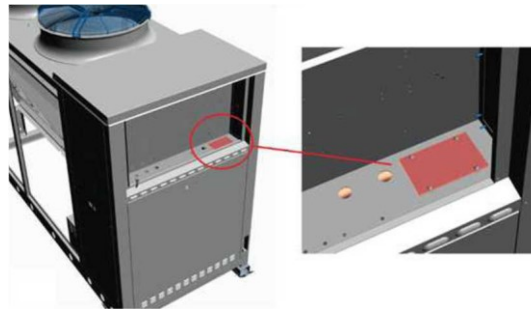
- o *Harhavirrat ja katodinen korroosiosuojaus:* Ole varovainen, jos NX-laitte asennetaan rautatien, sähkömagneettisen induktiouunin, suurten hitsausjärjestelmien tai muiden mahdollisesti harhavirtoja johtavien laitteiden lähelle, jotta mahdolliset syttymislähteet vältetään. Harhavirrat saattavat kulkea seuraavanlaisia sähköä johtavissa järjestelmissä tai niiden osissa:
  - sähköntuottojärjestelmien paluuvirrat – erityisesti sähköisten rautateiden ja suurten hitsausjärjestelmien lähellä – esim. johtavien sähköjärjestelmien osien (kuten kiskot ja maanalaiset kaapelisuojaukset) alentaessa paluuvirtapiiriin vastusta
  - sähkölaitteistojen vioista johtuvan oiko- tai maasulun seurauksena
  - magneettisen induktion seurauksena (esim. lähellä olevat suurjännitteiset sähkölaitteet tai radiotaajuudet)

Jos harhavirtoja mahdollisesti johtavan järjestelmän osia kytketään pois tai päälle tai siltakytketään (myös potentiaalierojen ollessa pieniä), sähkökipinät ja/tai valokaaret saattavat sytyttää räjähdyskelpoisen ilmaseoksen. Myös kyseisten virtapiirien kuumeneminen saattaa aiheuttaa syttymisen.

Yllä mainitut syttymisriskit ovat mahdollisia myös, jos käytössä on katodinen ICCP-korroosiosuojaus. Jos sen tilalla kuitenkin käytetään uhrautuvia anodeja, sähkökipinöistä johtuvat syttymisriskit ovat epätodennäköisiä, ellei anodeja ole valmistettu alumiinista tai magnesiumista.

- o *Mekaanisesti syntyvät kipinät:* Epätasapainon tai laakerien vaurioitumisen seurauksena puhaltimen siivet saattavat laahata tai osua ritilöihin ja suuntimiin. Kitka, isku tai hankautuminen voivat aiheuttaa ylikuumenemista tai kiinteiden hiukkasten irtoamista korkeassa lämpötilassa, mistä saattaa syntyä syttymislähde. Varmista, ettei puhaltimissa havaita poikkeavaa ääntä tai melua. Jos näin tapahtuu, pysäytä laite ja ota yhteyttä huolto-osastoon.

- R454B-yksikön kylmäainepiiri on osittain kotelon sisällä: potentiaalisesti syttyvä alue voi ulottua laitteiston rajan yli erityisesti silloin, kun yksikön ovet ja paneelit ovat avattuna vuodon jälkeen. Asennettavan yksikön sijaintia koskevat vaatimukset määritetään tekemällä riskinarviointi.
- Asentaja toimittaa asianmukaisesti suojatun ja selkeästi luettavissa olevan dokumentaation, jota säilytetään yksikön käyttöpaikan läheisyydessä. Dokumentaatioissa on oltava vähintään syttyvän kylmäaineen syttyvyyttä koskevat tiedot (ks. EN 378-2:2016, 6.4.3.3).
- Sähkörasia on suunniteltu siten, että se estää kylmäaineen vaarallisen saostumisen vuototilanteissa. Sähkörasiaa ei saa muokata. Siihen ei saa esimerkiksi lisätä reikiä ja kaapelitiivisteitä ei saa irrottaa. Johdotusten kohdalla on noudatettava seuraavia määräyksiä: johtokäytävän kohdalla on käytettävä sopivan kokoista levyä (ks. esimerkkipiirros alla), johon on porattava reiät ja johon on lisättävä yksikön virtalähteelle sopivan kokoiset kaapelitiivisteet.



## 6. HUOLTO

Noudata seuraavia varotoimia ennen kuin käsittelet kylmäainepiiriä:

- Hanki työ lupa kuumia osia varten (jos sellainen vaaditaan).
- Varmista, että työalueella ei säilytetä syttyviä materiaaleja ja että työalueella ei ole syttymislähteitä.
- Varmista, että alueen välittömässä läheisyydessä on saatavilla sopivat sammutusvälineet (hiilidioksidi- tai jauhesammutin).
- Varmista, että työalue on hyvin ilmastoitu ennen kuin käsittelet kylmäainepiiriä tai teet hitsaus- tai juotostöitä.
- Käytä tarvittaessa R454B-kylmäaineelle määritettyä apuilmanvaihtoa, kuten puhaltimia tai tuulettimia, joilla kylmäaineen höyryt voidaan hajottaa, erityisesti suljetuissa tiloissa (Tämä suositus koskee kaikkia kylmäaineita).
- Varmista, että käytössä on sopivat syttyvien kaasujen ilmaisimet ja että ne toimivat kunnolla, jotta työntekijöitä voidaan varoittaa kylmäaineiden vaarallisesta pitoisuudesta erityisesti kuumien osien käsittelyn aikana.
- Varmista, että käytettävä vuodon ilmaisinalaiteisto on kipinöimätön, asianmukaisesti tiivistetty tai luonnostaan vaaraton.
- Aseta esille asianmukaiset merkinnät, kuten Tupakointi kielletty- ja Alueelle pääsy kielletty -merkinnät.
- Varmista, että asianmukaiset ja tarvittavat työkalut ja henkilökohtaiset suojavarusteet ovat saatavilla (PPE).
- Varmista, että huoltohenkilöstö on ohjeistettu.

**HUOMAUTUS:** Jos asennus sallii, laitteisto kannattaa siirtää sen tavallisesta sijainnista hallittuun työpajaympäristöön, jossa laitteistoa voidaan käsitellä turvallisesti.

Noudata seuraavia ohjeita ennen kuin käsittelet kylmäainepiiriä:

- Poista kylmäaine (määritä jäännöspaine).
- Puhdista piiri jalokaasulla (typpikaasu).
- Tyhjennä piiri 30 kPa:n absoluuttisessa paineessa (tai 0,03 MPa).
- Puhdista piiri uudestaan jalokaasulla (typpikaasu).
- Avaa piiri.
- Älä juota putkia ja komponentteja, jotka sisältävät kylmäainetta. Ennen kuin piiri avataan, kylmäaine on kerättävä talteen tai laite on pumpattava tyhjäksi. Käytä putkien avaamiseen ainoastaan putkileikkureita. Älä käytä avointa tulta. Tarkista kylmäaineen ilmaisimella, ettei läsnä ole mahdollisesti syttyvää ilmaa, ennen kuin aloitat juottamisen. Älä käytä tulta ennen kuin työympäristö on riittävästi ilmastoitu tai tuuletettu.

- Jos kompressorit tai kompressoriöljyt täytyy poistaa, tyhjennä kylmäaine hyväksyttävälle tasolle varmistaaksesi, ettei voiteluaineeseen jää syttyvän kylmäaineen jäämiä.
- Kylmäaineen talteenotossa tulisi käyttää vain talteenottolaitteita, jotka on suunniteltu käytettäväksi syttyvien kylmäaineiden kanssa. HFC-kylmäaineen talteenottolaitteita ei välttämättä ole arvioitu syttyviä kylmäaineita varten. Jos kansalliset säännöt tai asetukset sallivat kylmäaineen valutuksen, se on tehtävä turvallisesti käyttämällä esimerkiksi letkua, jonka avulla kylmäaine vapautetaan ilmatilaan turvalliselta alueelta käsin. Varmista, ettei sytytyslähteen läheisyydessä voi esiintyä helposti syttyvää räjähtävää kylmäainepitoisuutta ja että sitä ei voi tunkeutua rakennuksiin missään olosuhteissa.
- Korjaustöiden jälkeen turvalaitteet, kuten kylmäaineen ilmaisimet ja mekaaniset ilmanvaihtojärjestelmät on tarkistettava ja tulokset on kirjattava ylös.
- Kylmäainepiirin komponenttien puuttuvat ja epäselvät merkinnät on korvattava uusilla merkinnöillä.
- Sytytyslähteitä ei saa käyttää, kun kylmäainevuotoa etsitään.
- Jos huolto ja korjaus edellyttävät muiden ammattitaitoisten henkilöiden apua, syttyvien kylmäaineiden käytöstä vastaavan henkilön on valvottava huolto- ja korjaustöitä. Laitteiston järjestelmää tai siihen liittyviä osia huoltavalla henkilöllä on oltava EN 13313 -standardin mukainen pätevyys.

Yksikköä käsittelevillä henkilöillä on oltava palavien kylmäaineiden käsittelyyn ja turvallisuuteen liittyvä pätevyys ja sitä tukeva soveltuva koulutus. Tähän sisältyvät seuraavat vaatimukset:

- Syttyviin kylmäaineisiin liittyvän lainsäädännön, asetusten ja standardien ymmärtämys;
- Syttyvien kylmäaineiden käsittelyyn, henkilökohtaisten suojavarusteiden käyttöön, kylmäainevuotojen ehkäisyyn, sylinterien käsittelyyn, lataukseen, vuodonhavaitsemiseen, kylmäaineen talteenottoon ja hävittämiseen liittyvä kattava ymmärtämys ja taidot.



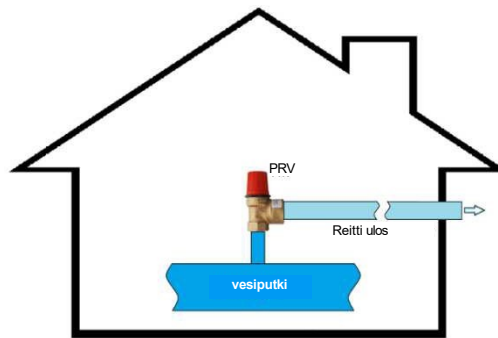
## 7. HYDRAULINEN PIIRI

Yksikön lämmönvaihdin voi hajotessaan vapauttaa kylmäainetta vesipiiriin. MEHITS-yksikköjen lämmönvaihtimen vedenpuoleinen sivu on varustettu paineen vapautusventtiileillä (PRV), joilla voidaan vapauttaa kylmäainetta ilmakehään. Venttiilien avulla minimoidaan kylmäaineen vuotaminen sisätiloihin vesiputkiston kautta. Asentajan vastuulla on suunnitella ja suojata vesipiiri (putket, puhallinkelat, säiliöt jne.) sekä ottaa huomioon PRV-sarja, pumpun pään paine, geodeettinen kiintiö jne.

PRV:n ulostuloliitäntä on reititettävä yksikön kotelosta ulkoilmaan ja turvallisille alueille erilleen mahdollisista sytytyslähteistä (sähkölaitteet, kuumat pinnat, liekit jne.).

Ota huomioon hydraulisen vesipiirin suunnittelu: piiri on suunniteltava siten, että se estää kylmäaineen vapautumisen alueisiin, joissa käytetään vettä/suolavettä. Näitä vaatimuksia voidaan noudattaa seuraavien toimien avulla:

- Kaikki avoimet laajennusastiat tai -säiliöt, vesisäiliöt jne. on asennettava ulkotiloihin. Jos astiat tai -säiliöt on jo asennettu sisätilaan, ne on korvattava ilmatiiviillä versioilla tai siirrettävä ulkotiloihin.



- PRV-venttiileitä ei tulisi asentaa rakennuksen sisällä oleviin hydraulisiin putkiin. Jos mahdollista, PRV-venttiilit on parempi asentaa suoraan rakennuksen ulkopuolelle tai liittää putkeen, joka vapauttaa kylmäainetta ulkoilmaan. Kylmäaineen vapautuspisteitä ei saa missään olosuhteissa olla käyttötiloissa (vain manuaaliset tuuletusaukot ovat sallittuja).

Sisätiloihin asennettuna se on tiivistettävä käyttöönoton jälkeen



- Sisätilan hydrauliseen piiriin asennetut automaattiset ilmaventtiilit (AAV) on tukittava käyttöönoton jälkeen.

HERMEETTINEN  
sisä- tai ulkotiloihin



AVOIN  
vain ulkotiloihin



- Jos mahdollisia vapautuspisteitä ei voida siirtää konehuoneesta ulkotiloihin, konehuoneen on noudatettava standardin EN 378-3:2016 lausekkeen 5 vaatimuksia (kaasun havaitseminen, hälytykset, ilmastointi jne.).
- Jos yksikkö täytyy korjata, vesi/suolavesi on tarkistettava kylmäaineen jäämien varalta.

ΕΓΧΕΙΡΙΔΙΟ R454B  
C0211308-06-23-EL

**Εγχειρίδιο:  
Εγκατάστασης, Συντήρησης, Μεταφοράς και Αποθήκευσης  
chiller και αντλιών θερμότητας με πηγή αέρα με ψυκτικό  
R454B**

**R R454B**





## 1. ΓΕΝΙΚΑ

Αυτό το έγγραφο αποτελεί συνημμένο στο κύριο εγχειρίδιο εγκατάστασης. Περιέχει πληροφορίες ασφαλείας για chiller και αντλίες θερμότητας με πηγή αέρα με ψυκτικό R454B, που καταρτίζονται βάσει ευρωπαϊκών κανονισμών και οδηγιών. Ωστόσο, σε όλες τις περιπτώσεις, οι εθνικές νομοθεσίες και οι τοπικές κατασκευαστικές διαδικασίες θα έχουν προτεραιότητα.

Οι μονάδες με πηγή αέρα που παρουσιάζονται στο έγγραφο αυτό είναι:

- Chiller
- Αντλίες θερμότητας
- Μονάδα για ταυτόχρονη και ανεξάρτητη παραγωγή ζεστού και κρύου νερού που περιέχει R454B.

Οι παρακάτω πληροφορίες μπορούν να βοηθήσουν τον εγκαταστάτη να εργαστεί σε ασφαλείς συνθήκες, αλλά δεν αντικαθιστούν πλήρεις εκτιμήσεις κινδύνου για την εγκατάσταση της μονάδας. Η εκτίμηση επικινδυνότητας χρησιμεύει για την εκτίμηση των άμεσων κινδύνων τραυματισμού ή βλάβης με βάση τους κινδύνους που εντοπίζονται στον τόπο εγκατάστασης.

Η εγκατάσταση, η εκκίνηση, η συντήρηση, ο παροπλισμός και άλλες ενέργειες στη μονάδα πρέπει να διεξάγονται από εκπαιδευμένο και εξειδικευμένο προσωπικό, σύμφωνα με τους τοπικούς κανονισμούς και διαδικασίες.

Φιάλες και συστήματα που περιέχουν ψυκτικό R454B απαιτούν διαδικασίες αποθήκευσης και χειρισμού σύμφωνα με την προδιαγραφή EN 378-3:2016. Όσοι εργάζονται σε ψυκτικά κυκλώματα πρέπει να έχουν πλήρη γνώση των εύφλεκτων ψυκτικών μέσων και των συναφών κινδύνων.

**ΣΗΜΕΙΩΣΗ:** ο ανιχνευτής διαρροών που παρέχεται κατόπιν αιτήματος δεν αποτελεί συσκευή ασφαλείας. Θα πρέπει να χρησιμοποιείται μόνο για την ανίχνευση απωλειών.



## 2. ΙΔΙΟΤΗΤΕΣ ΨΥΚΤΙΚΟΥ

Το ψυκτικό R454B ταξινομείται ως ελαφρώς εύφλεκτο και μη τοξικό (A2L σύμφωνα με το ISO/ASHRAE). Ελαφρώς εύφλεκτο σημαίνει ότι κάτω στις τρεις παρακάτω συνθήκες θα μπορούσε να καεί αργά. Εάν μία από τις τρεις συνθήκες εξαλειφθεί, δεν υπάρχει κίνδυνος πυρκαγιάς και μπορεί να θεωρηθεί ασφαλές.

Ωστόσο, τα περισσότερα ψυκτικά εκπέμπουν τοξικά αέρια όταν έρχονται σε επαφή με φλόγες.

Τα εύφλεκτα ψυκτικά (κλάση A2L και άνω) δεν αναφλέγονται εάν η συγκέντρωση παραμείνει κάτω από το κατώτερο όριο ευφλεκτότητας (LFL).



Ο κίνδυνος ανάφλεξης των μονάδων MEHITS με ψυκτικό μέσο R454B είναι ελάχιστος. Ωστόσο, οι τοπικοί κανονισμοί ενδέχεται να απαιτούν ανάλυση κινδύνου στο χώρο εγκατάστασης.

Στη συνέχεια ορισμένες ιδιότητες του R454B:

Όνομα ASHRAE/ ISO817	R454B
Μονάδα PED	1
Ταξινόμηση Ασφαλείας ASHRAE	A2L
Δυναμική Γήρανσης Όζοντος (R11 = 1)	0
GWP AR5 (AR4) (CO2 = 1)	467 (466)
Σύνθεση - % Βάρος	R32 = 68,9 % R1234yf = 31,1 %
Θερμοκρασία Κορεσμένου Υγρού (1) @ 1 atm	-50,5
Πρακτικό Όριο (kg/m3)	0,039
Μικρότερο μεταξύ του ορίου έκθεσης σε υψηλή τοξικότητα (ATEL) και του ορίου στέρσης οξυγόνου (ODL) (kg/m3)	0,358
LFL @ 23 °C, 50% UR (% v/v)	11,7
LFL (kg/m3)	0,303
UFL @ 23 °C, 50% UR (% v/v)	22,0
UFL (kg/m3)	0,569
Πυκνότητα(1) @ 21 °C, 1atm (kg/m3)	2,63
Ταχύτητα Καύσης (cm/s)	5,2
Ελάχιστη Ενέργεια Ανάφλεξης (mJ) (ASTM E582-13)	100 – 300
Μοριακή μάζα	62,61
Θερμοκρασία αυτοανάφλεξης (°C) (ASTM E659-15)	498
Επιφανειακή θερμοκρασία ανάφλεξης (°C) (ASTM E659-18)	>800



### 3. ΜΕΤΑΦΟΡΑ

Οι μονάδες πρέπει να μεταφέρονται σύμφωνα με τους τοπικούς νόμους. Η μέγιστη ποσότητα ψυκτικού υπαγορεύεται από τους νόμους για τις τρέχουσες μεταφορές.



Για τις μεταφορές στην Ευρώπη ισχύει η ευρωπαϊκή συμφωνία για τις διεθνείς οδικές μεταφορές επικίνδυνων εμπορευμάτων (ADR). Αυτή η συμφωνία προβλέπει μερική απαλλαγή εάν το συνολικό ψυκτικό μέσο που μεταφέρεται στο φορτηγό δεν υπερβαίνει τους 1000 βαθμούς (1 kg A2L = 3 βαθμοί. 1 kg A1 = 1 βαθμός). Για παράδειγμα, το φορτηγό μπορεί να μεταφέρει:

- 10 μονάδες με 100 kg R410 εκάστη -> Συνολικοί βαθμοί: 1000
- 10 μονάδες με 33 kg R454 εκάστη -> Συνολικοί βαθμοί: 1000
- 4 μονάδες με 200 kg R410 εκάστη + 2 μονάδες με 33 kg R454B εκάστη -> Συνολικοί βαθμοί: 1000

Απλά μέτρα ασφαλείας επιτρέπουν μια μερική εξαίρεση του ADR. Π.χ.:

- Πυροσβεστήρας στο φορτηγό
- Φακός που δεν παράγει σπινθήρες στο φορτηγό
- Κόκκινη ετικέτα στην εξωτερική συσκευασία (ήδη τοποθετημένη από την MEHITS)

**ΠΡΟΣΟΧΗ:** Η ΜΟΝΑΔΑ ΕΧΕΙ ΜΙΑ ΒΑΛΒΙΔΑ ΑΣΦΑΛΕΙΑΣ ΓΙΑ ΥΠΕΡΠΙΕΣΗ ΠΟΥ ΜΠΟΡΕΙ ΝΑ ΑΠΕΛΕΥΘΕΡΩΣΕΙ ΨΥΚΤΙΚΟ ΕΑΝ Η ΜΟΝΑΔΑ ΕΚΤΕΘΕΙ ΣΕ ΥΨΗΛΕΣ ΘΕΡΜΟΚΡΑΣΙΕΣ. **Η ΘΕΡΜΟΚΡΑΣΙΑ ΜΕΤΑΦΟΡΑΣ ΔΕΝ ΠΡΕΠΕΙ ΝΑ ΥΠΕΡΒΑΙΝΕΙ ΤΟΥΣ 50 °C.**



**4. ΑΠΟΘΗΚΕΥΣΗ**

Οι μονάδες chiller και αντλίες θερμότητας με πηγή αέρα με ψυκτικό R454B πρέπει να αποθηκεύονται σε ανοιχτό χώρο. Η αποθήκευση πρέπει να είναι σύμφωνη με τους εφαρμοστέους κανονισμούς, τους τοπικούς νόμους και τους υφιστάμενους κατασκευαστικούς κανόνες:

**ΠΡΟΣΟΧΗ: Η ΜΟΝΑΔΑ ΕΧΕΙ ΜΙΑ ΒΑΛΒΙΔΑ ΑΣΦΑΛΕΙΑΣ ΓΙΑ ΥΠΕΡΠΙΕΣΗ ΠΟΥ ΜΠΟΡΕΙ ΝΑ ΑΠΕΛΕΥΘΕΡΩΣΕΙ ΨΥΚΤΙΚΟ ΕΑΝ Η ΜΟΝΑΔΑ ΕΚΤΕΘΕΙ ΣΕ ΥΨΗΛΕΣ ΘΕΡΜΟΚΡΑΣΙΕΣ. Η ΘΕΡΜΟΚΡΑΣΙΑ ΑΠΟΘΗΚΕΥΣΗΣ ΔΕΝ ΠΡΕΠΕΙ ΝΑ ΥΠΕΡΒΑΙΝΕΙ ΤΟΥΣ 50 °C.**



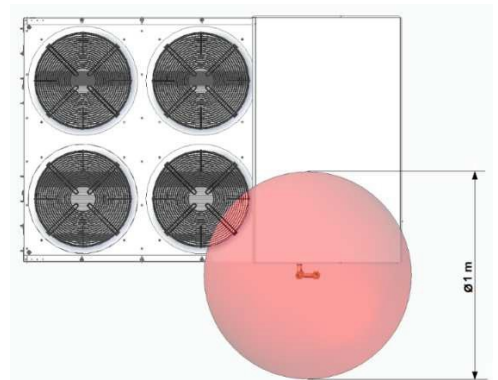
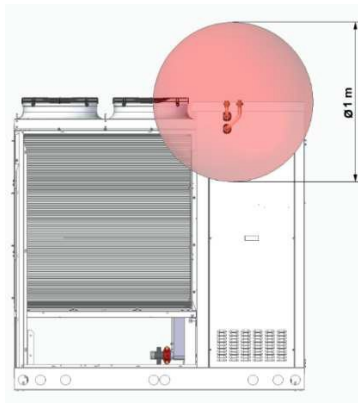
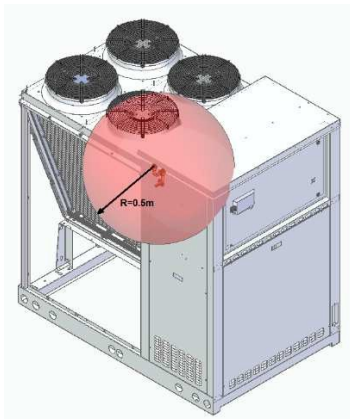
**5. ΕΓΚΑΤΑΣΤΑΣΗ**

- Οι μονάδες με πηγή αέρα με ψυκτικό R454B πρέπει να εγκαθίστανται σε εξωτερικούς χώρους. Αυτό εξασφαλίζει πολύ χαμηλά επίπεδα κινδύνου.
- Το ψυκτικό είναι βαρύτερο από τον αέρα και μπορεί να παραμείνει στάσιμο, για παράδειγμα κάτω από το έδαφος ή στο πάτωμα, φθάνοντας σε εύφλεκτες συγκεντρώσεις. Για να αποφύγετε την ανάφλεξη, διατηρήστε ένα ασφαλές περιβάλλον μέσω επαρκούς εξαερισμού.



- Μην εγκαθιστάτε τις μονάδες πηγής αέρα R454B σε ημιυπόγειο ή υπόγειο, εκτός εάν συμμορφώνονται με τις απαιτήσεις του EN 378-3:2016 - παρ.5 (ανίχνευση αερίου, εξαερισμός, σύστημα συναγερμού κ.λπ.).
- Εάν υπάρχει πιθανότητα στασιμότητας του απελευθερούμενου ψυκτικού, για παράδειγμα κάτω από το έδαφος, θα πρέπει να πληρούνται οι απαιτήσεις του προτύπου EN 378-3:2016 για ανίχνευσης αερίων, για τον αερισμό και τα συστήματα συναγερμού.
- Οι μονάδες R454B που είναι εγκατεστημένες σε εξωτερικούς χώρους πρέπει να τοποθετούνται έτσι ώστε σε περίπτωση διαρροών το ψυκτικό να μην ρέει μέσα στο κτίριο και να μην παρουσιάζεται κανένας κίνδυνος για τους ανθρώπους, τα ζώα ή τα αντικείμενα. Βεβαιωθείτε ότι σε περίπτωση διαρροών δεν υπάρχει διείσδυση του ψυκτικού μέσω στομίων αερισμού, θυρών, καταπακτών ή παρόμοιων. Σε περίπτωση εγκατάστασης μονάδων σε εξωτερικό στεγασμένο χώρο, εξασφαλίστε επαρκή εξαναγκασμένο ή φυσικό αερισμό.
- Οι μονάδες R454B είναι εξοπλισμένες με βαλβίδες για υπερπίεση (PRV - Pressure Release Valve). Σε περίπτωση υπερπίεσης είναι πιθανό να αποβληθεί το ψυκτικό μέσω των PRV. Οι έξοδοι των βαλβίδων πρέπει να κατευθύνονται από το περίβλημα της μονάδας προς τον εξωτερικό αέρα, σε περιοχές ασφαλείς ανυψωμένες (τουλάχιστον 1 m από το επίπεδο του εδάφους και με το στόμιο εκκένωσης προς τα πάνω, για να βελτιωθεί η διασπορά) και μακριά από πιθανές πηγές ανάφλεξης (ηλεκτρικά συστήματα που θα μπορούσαν να προκαλέσουν ηλεκτρικά τόξα ή σπινθήρες, θερμές επιφάνειες, φλόγες κ.λπ.). Όπου ενδείκνυται, εφαρμόζονται οι απαιτήσεις του προτύπου EN 378-2:2016, 6.2.14 σχετικά με τις πηγές ανάφλεξης.

Πλησίον του αερισμού PSV πρέπει να υπάρχει μια ζώνη ασφαλείας με μια ακτίνα τουλάχιστον 0,5 m. Στη ζώνη αυτή πρέπει να εξασφαλίζεται η απουσία φλογών, σπινθήρων, θερμών επιφανειών ή άλλων τυχόν πηγών ανάφλεξης. Για μια πιο σε βάθος επεξήγηση, δείτε την παρακάτω εικόνα:



Εκτός από τόξα, σπινθήρες, θερμές επιφάνειες, φλόγες κ.λπ. είναι απαραίτητο να ληφθούν υπόψη άλλες πηγές ανάφλεξης:

- **Ηλεκτρικά ρεύματα διασποράς και καθοδική προστασία από τη διάβρωση:** Για να αποφύγετε πηγές ανάφλεξης, προσέξτε όταν η μονάδα NX είναι εγκατεστημένη κοντά σε σιδηροδρομικές γραμμές, ηλεκτρομαγνητικούς επαγωγικούς κλιβάνους, μεγάλα συστήματα συγκόλλησης ή άλλες συσκευές που θα μπορούσαν να προκαλέσουν ρεύματα διασποράς.

Τα ρεύματα διασποράς μπορούν να ρέουν μέσω ηλεκτρικά αγώγιμων συστημάτων ή τμημάτων τους όπως:

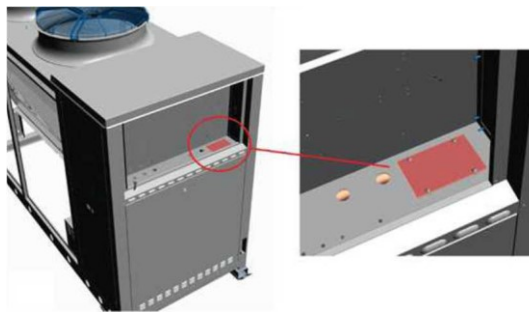
- ρεύματα επιστροφής σε συστήματα παραγωγής ενέργειας - ιδιαίτερα κοντά σε ηλεκτρικές σιδηροδρομικές γραμμές και μεγάλες εγκαταστάσεις συγκόλλησης - όταν, για παράδειγμα, ηλεκτρικά αγωγά εξαρτήματα συστήματος όπως ράγες ή περιβλήματα καλωδίων που βρίσκονται υπόγεια μειώνουν την αντίσταση αυτής της διαδρομής επιστροφής
- μετά από βραχυκύκλωμα ή βραχυκύκλωμα στη γείωση λόγω βλαβών στα ηλεκτρικά συστήματα
- μετά από μαγνητική επαγωγή (για παράδειγμα κοντά σε ηλεκτρικά συστήματα με υψηλά ρεύματα ή ραδιοσυχνότητες).

Εάν τμήματα ενός συστήματος ικανών να μεταφέρουν ρεύματα διασποράς αποσυνδεθούν, συνδεθούν ή βραχυκυκλωθούν (ακόμη και στην περίπτωση ελαφρών διαφορών δυναμικού), μπορεί να προκληθεί εκρηκτική ατμόσφαιρα λόγω της παρουσίας σπινθήρων ή / και ηλεκτρικών τόξων. Είναι επίσης πιθανό ότι η ανάφλεξη συμβαίνει επίσης λόγω της θέρμανσης αυτών των διαδρομών ρεύματος.

Είναι πιθανό ότι οι προαναφερθέντες κίνδυνοι ανάφλεξης υπάρχουν επίσης όταν χρησιμοποιείτε καθοδική προστασία από τη διάβρωση από ισχυρό ρεύμα. Ωστόσο, χρησιμοποιώντας αναλίσκομενες ανόδους, οι κίνδυνοι ανάφλεξης λόγω ηλεκτρικών σπινθήρων είναι απίθανοι, εκτός εάν οι άνοδοι είναι από αλουμίνιο ή μαγνήσιο.

- **Σπινθήρες που παράγονται μηχανικά:** λόγω ανισορροπίας ή βλάβης στα ρουλεμάν, τα πτερύγια ενός ανεμιστήρα μπορούν να σέρνονται ή να χτυπούν πάνω σε πλέγματα και ακροφύσια. Η τριβή, η πρόσκρουση ή το γδάρισμα μπορεί να οδηγήσει σε υπερθέρμανση ή αποκόλληση στερεών σωματιδίων σε υψηλή θερμοκρασία, κάτι που θα μπορούσε να αποτελέσει μια δυναμική πηγή ανάφλεξης. Βεβαιωθείτε ότι οι ανεμιστήρες δεν παρουσιάζουν αφύσικες δονήσεις ή θορύβους. Αν διαπιστωθούν, σταματήστε το μηχάνημα και ενημερώστε την υπηρεσία υποστήριξης.

- Οι μονάδες R454B έχουν μέρος του ψυκτικού κυκλώματος μέσα σε ένα περίβλημα: η περιοχή δυναμικά εύφλεκτη μπορεί να εκτείνεται πέρα από τα όρια του συστήματος, ειδικά όταν οι πόρτες ή τα πλαίσια της μονάδας ανοίγουν λόγω διαρροών. Για τον καθορισμό των απαιτήσεων του τόπου εγκατάστασης πρέπει να ολοκληρωθεί η εκτίμηση κινδύνου.
- Ο εγκαταστάτης πρέπει να παρέχει επαρκώς προστατευμένη και ευανάγνωστη τεκμηρίωση, που θα διατηρείται κοντά στο χώρο λειτουργίας της μονάδας. Πρέπει να περιέχει τουλάχιστον τα δεδομένα ευφλεκτότητας του εύφλεκτου ψυκτικού (βλέπε EN 378-2:2016, 6.4.3.3).
- Το ηλεκτρικό κιβώτιο έχει σχεδιαστεί για να αποφεύγονται επικίνδυνες συγκεντρώσεις ψυκτικού μέσου σε περίπτωση διαρροών. Δεν πρέπει να τροποποιηθεί κάνοντας πρόσθετες οπές ή αφαίρεση των στυπιοθληπτών καλωδίων. Η καλωδίωση πρέπει να πληροί τις ακόλουθες απαιτήσεις: για τη διέλευση των καλωδίων χρησιμοποιήστε τις κατάλληλες πλάκες που έχουν προετοιμαστεί για τον τύπο χρήσης (βλέπε το συνημμένο παράδειγμα σχεδίου). Οι πλάκες πρέπει να τρυπηθούν και να εξοπλιστούν με στυπιοθλήπτες καλωδίων κατάλληλα για τη διάμετρο του καλωδίου τροφοδοσίας της μονάδας.



## 6. ΣΥΝΤΗΡΗΣΗ

Πριν αρχίσετε να εργάζεστε σε ψυκτικά κυκλώματα, λάβετε τις ακόλουθες προφυλάξεις:

- Να έχετε άδεια εργασίας σε θερμά μέρη (εάν απαιτείται).
- Βεβαιωθείτε ότι δεν υπάρχουν εύφλεκτα υλικά ή πηγές ανάφλεξης στην περιοχή εργασίας.
- Να εξασφαλίσετε ότι τα κατάλληλα μέσα πυρόσβεσης (CO2 ή ξηρή σκόνη) είναι διαθέσιμα στα γειτονικά μέρη.
- Πριν ξεκινήσετε να εργάζεστε στο ψυκτικό κύκλωμα ή πριν ξεκινήσετε τις εργασίες συγκόλλησης, βεβαιωθείτε ότι ο χώρος εργασίας αερίζεται καλά. Εάν είναι απαραίτητο για τη διασπορά ατμών ψυκτικού, ειδικά σε κλειστούς χώρους, χρησιμοποιήστε πρόσθετο εξοπλισμό εξαερισμού κατάλληλο για ψυκτικό R454B, όπως φυσήτρες ή ανεμιστήρες. (Αυτό ισχύει για όλα τα ψυκτικά).
- Βεβαιωθείτε ότι υπάρχουν επαρκείς και λειτουργικοί ανιχνευτές εύφλεκτων αερίων στην περιοχή για να ειδοποιούνται οι εργαζόμενοι σε περίπτωση επικίνδυνων συγκεντρώσεων ψυκτικού μέσου, ειδικά όταν εργάζεστε σε θερμά μέρη.
- Διασφαλίστε ότι ο ανιχνευτής διαρροής που χρησιμοποιείται δεν μπορεί να παράγει σπινθήρες, είναι κατάλληλα σφραγισμένος και εγγενώς ασφαλής.
- Αναρτήστε κατάλληλα προειδοποιητικά σήματα. Για παράδειγμα: "απαγορεύεται το κάπνισμα" και "απαγορεύεται η πρόσβαση".
- Εξασφαλίστε τη διαθεσιμότητα όλου του απαραίτητου εξοπλισμού και των μέσων ατομικής προστασίας.
- Εξασφαλίστε ότι οι αρμόδιοι για τη συντήρηση έχουν εκπαιδευτεί κατάλληλα.

**ΣΗΜΕΙΩΣΗ:** εάν είναι δυνατόν, συνιστάται η μεταφορά του συστήματος από τη θέση τοποθέτησης σε συνεργείο, όπου οι εργασίες μπορούν να γίνουν με ασφάλεια.

Πριν αρχίσετε να εργάζεστε στα ψυκτικά κυκλώματα, ακολουθήστε αυτή τη διαδικασία:

- Απορρίψτε το ψυκτικό (καθορίστε την υπολειμματική πίεση).
- Καθαρίστε το κύκλωμα με αδρανές αέριο (π.χ. άζωτο).
- Εκκενώστε υπό πίεση 30 kPa απόλυτη (0,03 MPa).
- Καθαρίστε και πάλι με αδρανές αέριο (π.χ. άζωτο).

- Ανοίξτε το κύκλωμα.
- Μην συγκολλείτε σωλήνες ή εξαρτήματα που περιέχουν ψυκτικό. Πριν ανοίξετε το κύκλωμα, το ψυκτικό πρέπει να ανακτηθεί ή να εξαλειφθεί. Για να ανοίξετε τις σωληνώσεις, χρησιμοποιήστε κοπτήρες σωλήνων. Μην χρησιμοποιείτε γυμνή φλόγα. Πριν τη συγκόλληση, ελέγξτε με έναν ανιχνευτή ψυκτικού ότι δεν υπάρχουν δυνητικά εύφλεκτες ατμόσφαιρες. Μην χρησιμοποιείτε φλόγες μέχρι να αερίζεται επαρκώς το περιβάλλον εργασίας.
- Εάν πρέπει να αφαιρεθούν συμπιεστές ή λάδια συμπιεστή, εκκενώστε σε αποδεκτό επίπεδο, για να αποφευχθεί η παρουσία εύφλεκτου ψυκτικού στο λιπαντικό.
- Χρησιμοποιείτε μόνο εργαλεία για την ανάκτηση ψυκτικού που είναι κατάλληλα για χρήση με εύφλεκτα ψυκτικά. Ο εξοπλισμός ανάκτησης ψυκτικού HFC ενδέχεται να μην έχει δοκιμαστεί για εύφλεκτα ψυκτικά. Αν οι εθνικοί κανονισμοί επιτρέπουν την απόρριψη του ψυκτικού, αυτό πρέπει να γίνεται με ασφάλεια, για παράδειγμα χρησιμοποιώντας έναν εύκαμπτο σωλήνα, έτσι ώστε να εκκενώνεται το ψυκτικό προς τα έξω σε ασφαλή περιοχή. Μην επιτρέπετε τον σχηματισμό συγκέντρωσης εκρηκτικού εύφλεκτου ψυκτικού μέσου κοντά σε πηγές ανάφλεξης ή διείσδυσης σε κτίρια.
- Μετά την ολοκλήρωση των επισκευών, ελέγξτε τις συσκευές ασφαλείας, όπως ανιχνευτές ψυκτικού και μηχανικά συστήματα εξαερισμού, και καταγράψτε τα αποτελέσματα.
- Επαναφέρετε τυχόν ετικέτες που λείπουν ή δυσανάγνωστες στα εξαρτήματα του ψυκτικού κυκλώματος.
- Μην χρησιμοποιείτε πηγές ανάφλεξης όταν εντοπίζετε διαρροές ψυκτικού.
- Οι εργασίες συντήρησης και επισκευών που απαιτούν την παρέμβαση έμπειρου προσωπικού πρέπει να πραγματοποιούνται υπό την επίβλεψη έμπειρου προσωπικού στο χειρισμό εύφλεκτων ψυκτικών. Όποιος εκτελεί εργασίες συντήρησης ή έκτακτης συντήρησης σε ένα σύστημα ή εξαρτήματα συνδεδεμένα με το σύστημα, πρέπει να διαθέτει ικανότητα σύμφωνα με το πρότυπο EN 13313.

Όποιος εργάζεται στη μονάδα πρέπει να διαθέτει τις απαραίτητες δεξιότητες για τον ασφαλή χειρισμό εύφλεκτων ψυκτικών, υποστηριζόμενες από αποδεδειγμένη κατάλληλη εκπαίδευση. Αυτό θα περιλαμβάνει τα ακόλουθα:

- Γνώση των νόμων, των κανονισμών και των προτύπων σχετικά με τα εύφλεκτα ψυκτικά.
- Λεπτομερή γνώση και εμπειρία στη διαχείριση εύφλεκτων ψυκτικών, χρήση μέσων ατομικής προστασίας, αποτροπή διαρροών ψυκτικού, χειρισμός φιαλών, φόρτωση, ανίχνευση διαρροών, ανάκτηση και διάθεση.



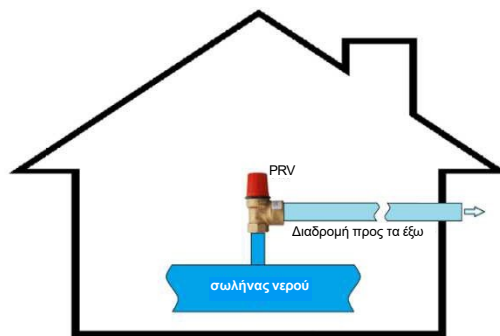
## 7. ΥΔΡΑΥΛΙΚΟ ΚΥΚΛΩΜΑ

Σε περίπτωση βλάβης, ο εναλλάκτης θερμότητας της μονάδας μπορεί να απελευθερώσει ψυκτικό στο κύκλωμα νερού. Για την ελαχιστοποίηση της απελευθέρωσης ψυκτικού σε περιοχές που συνορεύουν μέσω σωληνώσεων, η πλευρά του νερού του εναλλάκτη της μονάδας MEHITS είναι εφοδιασμένη με βαλβίδα ασφαλείας για υπερπίεση (PRV), ρυθμισμένη στα 6 bar, για την απελευθέρωση του ψυκτικού στην ατμόσφαιρα. Είναι ευθύνη του εγκαταστάτη να σχεδιάζει και να προστατεύει το κύκλωμα νερού (σωληνώσεις, ανεμιστήρες, δεξαμενές κ.λπ.), λαμβάνοντας υπόψη τα PRV, την πίεση μανομετρικού ύψους της αντλίας, το γεωδαιτικό υψόμετρο κλπ.

Η πόρτα εξόδου PRV πρέπει να κατευθύνεται από το περίβλημα προς τον εξωτερικό αέρα, σε ασφαλή περιοχή μακριά από πιθανές πηγές ανάφλεξης (ηλεκτρικά συστήματα, θερμές επιφάνειες, φλόγες κλπ.).

Δώστε προσοχή στη διαμόρφωση του υδραυλικού κυκλώματος νερού: πρέπει να είναι σε θέση να αποτρέψει την απελευθέρωση ψυκτικού σε περιοχές που εξυπηρετούνται με νερό ή αλατούχο διάλυμα. Τα παρακάτω μπορούν να θεωρηθούν ικανοποιητικά για την απαίτηση αυτή:

- Δεξαμενές/δοχεία εκτόνωσης, ανοιχτές δεξαμενές νερού και τα παρόμοια πρέπει να τοποθετούνται σε εξωτερικό χώρο. Στην περίπτωση που είναι ήδη εγκατεστημένα σε εσωτερικούς χώρους, αυτά θα πρέπει να αντικατασταθούν με ερμητικούς τύπους ή να μετατοπιστούν προς τα έξω.



- Αποφύγετε την εγκατάσταση PRV σε υδραυλικές σωληνώσεις μέσα στο κτίριο. Αν είναι δυνατόν, εγκαταστήστε τα PRVs απευθείας έξω από το κτίριο ή συνδέστε τα σε σωληνώσεις που εκκενώνουν το ψυκτικό απευθείας προς το εξωτερικό. Δεν θα υπάρχουν, για κανένα λόγο, σημεία απελευθέρωσης του ψυκτικού σε χώρους που είναι κατεληγμένοι (επιτρέπονται μόνο στόμια χειροκίνητου εξαερισμού).

Σφραγίζεται μετά την  
θέση σε λειτουργία σε  
περίπτωση  
εγκατάστασης σε  
κλειστούς χώρους.



- Τυχόν στόμια αυτόματου εξαερισμού στο υδραυλικό κύκλωμα μέσα στα κτίρια πρέπει να σφραγιστούν μετά την εγκατάσταση.

ΕΡΜΗΤΙΚΟΣ ΤΥΠΟΣ  
εσωτερικό ή εξωτερικό



ΑΝΟΙΧΤΟΣ  
ΤΥΠΟΣ  
μόνο εξωτερικό



- Εάν δεν είναι δυνατόν να μετατοπιστούν αυτά τα σημεία δυναμικής απελευθέρωσης από το μηχανοστάσιο προς τα έξω, το μηχανοστάσιο πρέπει να πληροί τις απαιτήσεις του προτύπου EN 378-3:2016, ρήτρα 5 (ανίχνευση αερίων, συναγερμοί, εξαερισμός κ.λπ.).
- Εάν η μονάδα χρειάζεται επισκευή, βεβαιωθείτε ότι δεν υπάρχει ψυκτικό στο νερό ή αλατούχο διάλυμα.

# MITSUBISHI ELECTRIC HYDRONICS & IT COOLING SYSTEMS S.p.A.

R454B BRUKSANVISNING  
C0211308-06-23-NO

## Bruksanvisning: Installasjon, service, transport og lagring av luft-til-vann- enheter med R454B kjølemedium

R R454B





## 1. GENERELL INFORMASJON

Dette sammendraget må anses som et tillegg til den primære installasjonshåndboken. Det inneholder informasjon om sikkerheten til Luft-til-vann-enheter som er fylt med kjølemediet R454B, med henvisning til europeiske forskrifter og direktiver. Det nasjonale lovverket og lokale byggeforskrifter i det enkelte landet må uansett overholdes.

Luft-til-vann-enhetene som dekkes av dette dokumentet er:

- Kjølere
- Varmepumper
- Enheter som produserer varmt og kaldt vann samtidig og uavhengig og som er fylt med R454B.

Den følgende informasjonen er til hjelp for at installatøren skal kunne utføre oppgavene på en skikkelig og trygg måte, men dette kan ikke erstatte en grundig risikovurdering før installasjon av enheten. Risikovurderingen er nødvendig for å fastslå om det er noen direkte risiko for skade på personer eller gjenstander knyttet til de risikoene som er identifisert på installasjonsstedet.

Idriftsettelse, oppstart, service og kassering og andre operasjoner på enheten skal utføres av kvalifisert personell med opplæring i samsvar med lokale regler og forskrifter.

Sylindere og utstyr som inneholder R454B kjølemedium forutsetter at man anvender riktige lagrings- og håndteringsprosedyrer, i samsvar med EN 378-3:2016. Alle personer som styrer kjølekretsen må ha grundig kunnskap om de brennbare kjølemediene og tilknyttet risiko.

MERK: Lekkasje-detektoren som leveres med enheten kan ikke anses som en sikkerhetsanordning. Den skal kun brukes til å teste for lekkasjer.

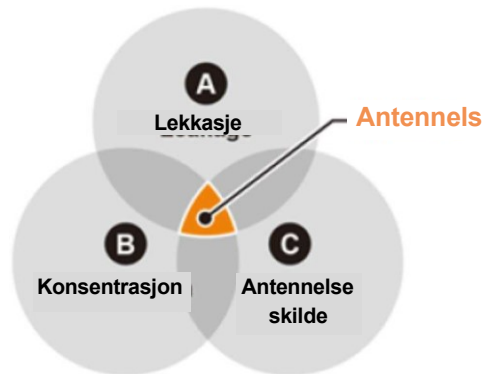


## 2. EGENSKAPER VED KJØLEMEDIET

R454B kjølemedium er klassifisert som litt brennbar og ikke giftig (A2L etter ISO/ASHRAE). Litt brennbar betyr at det, under de tre betingelsene som vises under, er en mulighet for at kjølemediet kan begynne å brenne langsomt. Dersom man fjerner en av de tre betingelsene vil det ikke utgjøre noen brannfare og kan derfor anses som trygt.

Uansett vil de fleste kjølemedier avgis en giftig gass når de kommer i kontakt med åpen flamme.

Alle brennbare kjølemedier (klasser A2L og høyere) vil ikke antennes dersom konsentrasjonsnivået ligger under lavere eksplosjonsgrense (LFL).



Brennbarhetsrisikoen ved MEHITS-enheter med R454B kjølemedium er minimal, men det kan være nødvendig å utføre en risikovurdering på stedet, avhengig av lokale bestemmelser.

Noen av egenskapene til R454B er listet opp under:

<b>ASHRAE/ ISO817 Navn</b>	R454B
PED-gruppe	1
ASHRAE Sikkerhetsklassifisering	A2L
Ozonødeleggende potensiale (R11 = 1)	0
AR5 (AR4) GWP (CO2 = 1)	467 (466)
Sammensetning vekt%	R32 = 68,9 % R1234yf = 31,1 %
Metningstemperatur væske(1) @ 1 atm	-50,5
Praktisk grense (kg/m3)	0,039
Lavere for ATEL eller ODL (kg/m3)	0,358
LFL @ 23 °C, 50 % RH (% v/v)	11,7
LFL (kg/m3)	0,303
UFL @ 23 °C, 50 % RH (% v/v)	22,0
UFL (kg/m3)	0,569
Tetthet(1) @ 21 °C, 1atm (kg/m3)	2,63
Brennhastighet (cm/s)	5,2
Minimum antenningsenergi (mJ) (ASTM E582-13)	100 - 300
Molekylær masse	62,61
Selvantennelsestemperatur (°C) (ASTM E659-15)	498
Varm overflate antennelsestemperatur (°C) (ASTM D8211-18)	>800



### 3. TRANSPORT AV ENHETENE

Enhetene må transporteres fullstendig i overensstemmelse med lokal lovgivning. Den maksimale mengde kjølemedium som kan transporteres, vil avhenge av gjeldende transportforskrift.



For transport i Europa må den europeiske avtalen om internasjonal frakt av farlig gods på vei (ADR) anvendes. Denne forskriften muliggjør et delvis unntak dersom den totale mengden kjølemedium som transporteres på samme lastebil ikke overstiger 1000 poeng (1 kg A2L tilsvarer 3 poeng; 1 kg av A1 tilsvarer 1 poeng). For eksempel kan en lastebil lastes som følger:

- 10 enheter med 100 kg av R410 per enhet -> Totalt antall poeng: 1000
- 10 enheter med 33 kg av R454B per enhet -> Totalt antall poeng: 1000
- 4 enheter med 200 kg av R410 per enhet + 2 enheter med 33 kg av R454B per enhet -> Totalt antall poeng: 1000

Meget enkle tiltak for transport gir mulighet for delvis unntak fra ADR, f.eks.

- Brannslukningsapparat i hver lastebil
- Gnistfrie lommelykter i hver lastebil
- Påføring av en rød etikett på den ytre emballasjen (allerede påført av MEHITS)

**ADVARSEL:** DENNE ENHETEN ER UTSTYRT MED OVERTRYKKVENTILER SOM KAN SLIPPE UT KJØLEMEDIUM DERSOM MASKINEN UTSETTES FOR HØYE TEMPERATURER. **DEN MAKSIMALE TRANSPORTTEMPERATUREN MÅ IKKE OVERSTIGE 50 °C.**



#### 4. LAGRING

Luftkildekjølere og varmepumper med R454B kjølemedium må lagres i uterom; lagring må være i samsvar med gjeldende forskrifter, lokale lover og krav til byggekoder:

**ADVARSEL:** DENNE ENHETEN ER UTSTYRT MED OVERTRYKKVENTILER SOM KAN SLIPPE UT KJØLEMEDIEUM DERSOM MASKINEN UTSETTES FOR HØYE TEMPERATURER. **DEN MAKSIMALE TRANSPORTTEMPERATUREN MÅ IKKE OVERSTIGE 50 °C.**

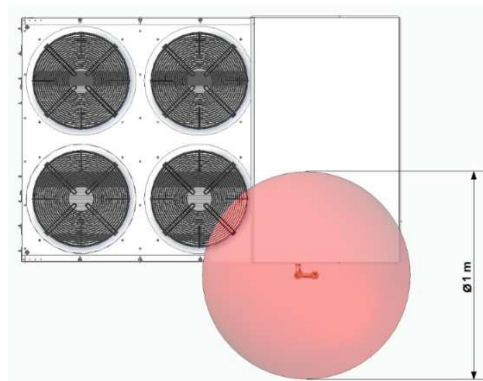
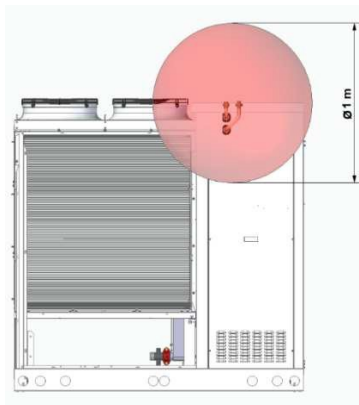
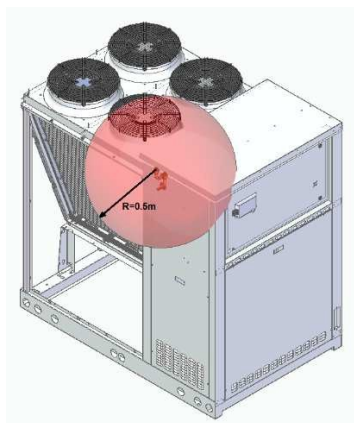


#### 5. INSTALLASJON

- Ltv-enheter med kjølemediet R454B må installeres utendørs, under åpen himmel. Dette garanterer at risikoen forblir lav.
- Kjølemediet er tyngre enn luft og kan bli værende, f.eks. under bakken eller nær gulvet, og kan der nå en brennbar konsentrasjon. For å unngå at den antennes, oppretthold trygge arbeidsforhold ved å sørge for tilstrekkelig ventilasjon.



- Ikke installer luftkilden R454B-enheter i semikjeller eller kjeller, med mindre de oppfyller NS-EN 378-3:2016 - par.5-krav (gassdeteksjon, ventilasjon, alarmsystem, osv.).
- For R454B-enheter der utlipp av kjølemedium kan bli værende f.eks. under bakken, må installasjonen være i samsvar med kravene i standarden EN 378-3:2016 om gassdeteksjon, ventilasjon og alarmsystemer.
- R454B-enheter plassert utendørs på plasseres slik at man unngår at kjølemediet kan renne inn i en bygning eller på annen måte sette mennesker, dyr, bygninger eller annet i fare i tilfelle lekkasje. Det må ikke være mulig for kjølemediet å trenge inn i lufteåpninger, døråpninger, luker eller lignende åpninger ved lekkasje. Dersom man har en bygget struktur omkring kjøleutstyr utendørs, må det være naturlig eller tvungen ventilasjon tilstede.
- R454B-enheten er utstyrt med noen overstrømsventiler (PRV). Kjølemedium kan slippes ut fra PRV ved overtrykk. Utløpsforbindelsen til ventilene skal føres fra strukturen rundt enheten til friluft og trygge soner, bort fra bakken (minst 1 m over bakkenivå, med utløpet vendt oppover, for å øke uttynningen) og fra mulige antenningskilder (elektrisk utstyr som kan danne lysbue eller gnister, varme overflater, åpen ild osv.). Krav med hensyn til antenningskilder i EN 378-2:2016, 6.2.14 vil gjelde der dette er relevant. Nær PSV-ventilene finnes det en sikkerhetssone på (minst) 0,5 m. I dette området må man forsikre seg om at det ikke er åpen flamme, gnister, varme overflater eller andre mulige antenningskilder tilstede. For en nærmere forklaring, se figuren nedenfor:



I tillegg til lysbue, gnist, varme overflater, åpen flamme osv. må også andre antennelseskilder tas med i vurderingen;

- *Vagabondstrømmer og katodisk korrosjonsbeskyttelse* : Vær varsom når NX-enheten er installert nær jernbane, elektromagnetiske induksjonsovner, store sveisesystemer eller andre apparater som kan framkalle vagabondstrømmer, slik at man unngår slike antennelseskilder.

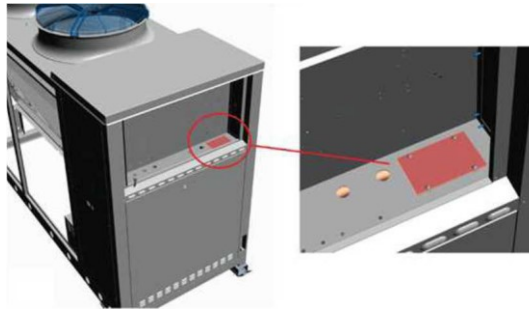
Vagabondstrømmer kan strømme i elektrisk ledende systemer, så som:

- Returstrømmer i kraftgenererende systemer, særlig i nærheten av elektrisk jernbane eller store sveisesystemer – når for eksempel, ledende komponenter i i elektriske systemer, som sviller og underjordisk kabelbeskyttelse, senker motstanden i denne returstrømmens bane;
- på grunn av kortslutning eller kortslutning til jord knyttet til feil i de elektriske installasjonene;
- på grunn av magnetisk induksjon (f.eks. nærheten av elektriske installasjoner med sterk strøm eller radiofrekvens)

Dersom deler av et strømførende systemet frakobles, kobles til eller brokobles (også i tilfeller med mulighet for små potensialforskjeller) kan en eksplosiv atmosfære antennes som et resultat av gnister og/eller lysbuer. Videre kan antenning skje som følge av at disse strømbanene varmes opp.

Når man benytter påtrykket katodisk strømbeskyttelse, er den ovennevnte risikoen for antenning også til stede. Dersom man isteden bruker offeranoder, er det usannsynlig med antenning på grunn av gnister, med mindre anodene er av aluminium eller magnesium.

- *Mekanisk genererte gnister*: Ved ubalanse eller skader på lagrene kan viftebladene nærme seg eller støte mot gitter eller dyser, friksjon eller støt eller slitasje kan føre til overoppheting eller at faste partikler rives løs ved høy temperatur, og dette er en potensiell antenningskilde. Sørg for at viftene ikke har unormal vibrasjon eller støy. Dersom de har det, stopp maskinen og kontakt serviceavdelingen.
- R454B er utstyrt med noen deler av kjølekretsen innebygd i et kabinett. Den potensielt brannfarlige sonen vil strekke seg utenfor grensene til utstyret, spesielt når dørene eller panelene rundt enheten åpnes etter lekkasje. Man må utføre en sikkerhetsvurdering for å bestemme kravene til plasseringen av enheten som skal installeres.
- Installatøren må etterlate godt lesbar dokumentasjon, som må være tilstrekkelig beskyttet, og oppbevares nær driftsstedet til enheten. Denne må minst inneholde opplysninger om brennbarheten til det brennbare kjølemediet (se EN 378-2:2016, 6.4.3.3).
- Elektrisk boks er designet for å forhindre farlig kjølemiddelkonsentrasjon i tilfelle lekkasje. Det må ikke endres ved tilsetning av hull eller fjerning av kabelkjertler. Ledningsoperasjonene må overholde følgende regler: For passering av kabler, bruk passende plate anordnet for omfanget (se eksempel tegning nedenfor), som må bores og utstyres med kabelgjennomføringer som passer for diameteren på strømforsyningskabelen til enhet.



## 6. GJENNOMFØRING AV SERVICE

Følgende forholdsregler må tas før man starter arbeid på kjølemiddelkretsen:

- Man må innhente tillatelse til å arbeide på varme deler (hvis dette kreves).
- Man må sørge for at brennbare materialer ikke lagres i arbeidsområdet at det ikke er noen antenningskilder tilstede noe sted der man arbeider.
- Man må sørge for at egnet brannslukningsutstyr (CO<sub>2</sub>- eller pulvertype) er tilgjengelig i det umiddelbare nærrområdet.
- Man må sørge for at arbeidsområdet er riktig ventilert før man starter arbeidet på kjølekretsen eller før sveising, lodding eller hardlodding. Benytt tilleggsventilasjon, klassifisert for kjølemediet R454B, som for eksempel blåsere eller vifter, for å spre damp fra kjølemediet, særlig i tillukkede områder. (Denne anbefaling gjelder uansett for alle kjølemedier).
- Man må sørge for at detektorer for brennbar gass er tilstede og at de fungerer, slik at personale kan varsles om farlige konsentrasjoner av kjølemedier, særlig under arbeid på varme deler.
- Man må sørge for at utstyret for lekkasjedeteksjon ikke er gnistdannende, og er tilstrekkelig forseglet og dermed trygt.
- Man må sette opp skilt på området, for eksempel: Skilt med "Røyking forbudt" og "Ingen adgang til området".
- Man må sjekke at alt relevant og nødvendig verktøy og personlig verneutstyr (PVU) er tilgjengelig.
- Man må sørge for at alt vedlikeholdspersonell har blitt instruert.

**MERK DEG!** Når installasjonen gjør dette mulig, anbefales det å fjerne utstyret fra den nåværende plasseringen til et verksted eller lignende, der arbeidet kan utføres på en trygg måte.

Forholdreglene under må følges før man starter arbeid på kjølemiddelkretsen:

- Fjern kjølemediet (spesifiser resttrykk);
- Tøm kretsen med inert gass (f.eks. nitrogen);
- Slipp ut med et trykk på 30 kPa absolutt (eller 0,03 MPa);
- Tøm igjen med inert gass (f.eks. nitrogen);
- Åpne kretsen.

- Unngå å hardlodde rør og komponenter som inneholder kjølemedium. Før man åpner kretsen, må kjølemediet samles opp eller pumpes nedover. For å åpne rørledningene, bruk kun rørkuttere, men ikke åpen flamme. Før hardlodding, sjekk ved hjelp av en kjølemediumdetektor at det ikke er noen potensielt brannfarlig atmosfære på stedet. Unngå å bruke flamme fram til arbeidsmiljøet er tilstrekkelig ventilert.
- Dersom kompressorer eller kompressoroljer skal fjernes, tøm ut til et akseptabelt nivå for å sikre at det ikke er gjenværende brennbart kjølemedium i smøremidlet.
- Kun utstyr for oppsamling av kjølemediet som er utformet for bruk sammen med brennbare kjølemedier skal brukes. Det kan hende oppsamlingmaskiner for HFC-kjølemedier ikke er blitt vurdert for bruk sammen med brennbare kjølemedier. Dersom nasjonale regelverk eller forskrifter tillater at kjølemediet kan tømmes, må dette utføres på en trygg måte, ved hjelp av en slange, for tømning av kjølemediet til atmosfæren utenfor på et trygt sted. Man må sikre at det ikke kan oppstå en brennbar, eksplosiv konsentrasjon av kjølemedium nær noen antenningskilder, og at det ikke kan trenge inn i noen bygning under noen omstendighet.
- Etter reparasjonsarbeid må sikkerhetsanordningene, f.eks. Kjølemediumdetektorer og mekaniske ventilasjonsanlegg sjekkes, og man må loggføre resultatene.
- Man må sørge for at etiketter som mangler eller er uleselige på komponentene til kjølemediumkretsen erstattes.
- Antenningskilder må ikke brukes når man leter etter lekkasjer av kjølemedium.
- Vedlikehold og reparasjon som krever hjelp fra annet faglært personale må utføres av under tilsyn av den som er opplært i bruken av brennbare kjølemedier. Alle personer som utfører service eller vedlikehold på et system eller tilknyttede deler av utstyret, må være kvalifisert i henhold til EN 13313.

Personer som arbeider på enheten skal ha kompetanse innen sikkerhetsaspektene til håndtering av brannfarlige kjølemedier, og ha bevis på opplæringen. Denne må oppfylle følgende krav:

- Kunnskap om lovverk, forskrifter og standarder knyttet til brannfarlige kjølemedier,
- Detalj-kunnskap om og ferdigheter innen håndtering av brennbare kjølemedier, personlig verneutstyr, forebygging av kjølemediekkasje, håndtering av sylindere, lading, lekkasjedeteksjon, gjenvinning og kassering.



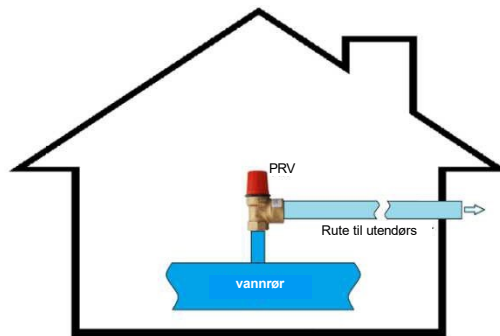
## 7. HYDRAULISK VANNKRETS

Varmeveksleren på enheten kan, hvis den skades, komme til å slippe kjølemedium ut til vannkretsen. For å unngå utslipp av kjølemedium innendørs gjennom vannrør, er vannsiden av varmeveksleren på MEHITS-enhetene utstyrt med en overstrømsventil (PRV), for utslipp av kjølemedium til atmosfæren. Det er installatørens ansvar å legge og beskytte vannkretsen (rør, viftekonvektorer, tanker osv.), og også ta hensyn til PRV-settet, pumpehodets trykk, høyde over havet osv.

Utløpsforbindelsen til PRV må legges fra enhetens kabinett til friluft og inn i trygge soner, borte fra potensielle antenningskilder (elektrisk utstyr, varme, ild, osv.).

Vær oppmerksom på utformingen til den hydrauliske vannkretsen: Den må utformes slik at den forhindrer at kjølemedium slippes ut til områder som har vann/saltvann i sirkulasjon. Følgende må tas hensyn til for å oppfylle dette kravet:

- Eventuelle ekspansjonskar / tanker, vann tanker og så videre skal installeres utendørs. Hvis de allerede er installert i innendørsområdet, er det nødvendig å erstatte dem med hermetisk type eller å flytte dem fra innendørs til utendørs.



- Det er best om man unngår å installere PRV på hydraulikkør som befinner seg inne i bygningen, og det er bedre å installere OSV direkte utenfor bygningen, eller koble dem til et rør som slipper kjølemedium ut til utsiden. Utslippspunktene for kjølemedium er ikke under noen omstendighet tillatt i rom som er optatt (kun manuelle lufterventiler er tillatt).

Hvis den er installert innendørs, må den lukkes etter idriftsettelse



- Alle automatiske luftventiler (ALV) som er installert på den innendørs hydraulikkretsen, må stenges etter idriftsetting.

HERMETISK TYPE  
innendørs eller  
utendørs



ÅPEN TYPE  
kun utendørs



- Hvis det ikke er mulig å flytte disse potensielle utslippspunktene fra maskinrommet til utendørs, må maskinrommet være i samsvar med kravene i EN 378-3:2016, punkt 5 (gassdeteksjon, alarmer, ventilasjon osv.).
- Dersom enheten må repareres, må vann/saltvannsmengden sjekkes for eventuelt kjølemedium som kan være tilstede.

# MITSUBISHI ELECTRIC HYDRONICS & IT COOLING SYSTEMS S.p.A.

HANDLEIDING R454B

C0211308-06-23-NL

## Handleiding:

Installatie, onderhoud, transport en opslag van chillers en warmtepompen met luchtbron en koudemiddel R454B

R R454B





## 1. ALGEMEEN

Dit document vormt een bijlage bij de hoofdinstructiehandleiding. Dit document bevat veiligheidsinformatie voor chillers en warmtepompen met luchtbron en koudemiddel R454B, die samengesteld is op basis van de Europese normen en richtlijnen. In ieder geval hebben de landelijke wetten en de plaatselijke constructieprocedures voorrang.

De units met luchtbron die in dit document aan de orde komen zijn:

- Chillers
- Warmtepompen
- Units voor de gelijktijdige en onafhankelijke productie van warm en koud water die R454B bevatten.

De volgende informatie kan de installateur helpen om in veilige omstandigheden te werken, maar kan in ieder geval een complete risicobeoordeling voor het installeren van de unit niet vervangen. De risicobeoordeling dient om de directe risico's op letsel of schade op basis van de gevaren die op de installatieplaats geïdentificeerd zijn te beoordelen.

Het opstellen, opstarten, onderhoud, buiten bedrijf stellen en andere werkzaamheden aan de unit moeten uitgevoerd worden door opgeleid en gekwalificeerd personeel in overeenstemming met de plaatselijke normen en procedures.

Flessen en installaties met koudemiddel R454B vereisen procedures voor de opslag en het verplaatsen in overeenstemming met de norm EN 378-3:2016. Wie aan koudecircuits werkt moet een volledige kennis van ontvlambare koudemiddelen en daarmee verbonden risico's hebben.

OPMERKING: de lekdetector die op aanvraag geleverd wordt is geen veiligheidssysteem. Deze mag alleen gebruikt worden om lekken op te sporen.

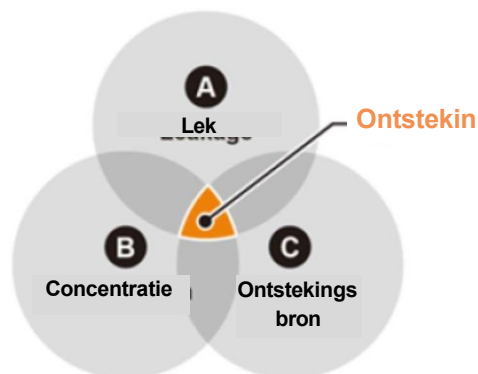


## 2. EIGENSCHAPPEN VAN HET KOUEMIDDEL

Het koudemiddel R454B is geclassificeerd als licht ontvlambaar en niet giftig (A2L volgens ISO/ASHRAE). Licht ontvlambaar geeft aan dat het in de drie omstandigheden die hieronder vermeld worden langzaam kan branden. Als er één van de drie omstandigheden opgeheven wordt is er geen brandgevaar en kan het als veilig beschouwd worden.

Het overgrote deel van de koudemiddelen geeft echter giftige gassen af als zij in aanraking komen met open vuur.

Ontvlambare koudemiddelen (klasse A2L en hoger) vatten geen vlam als de concentratie onder de onderste ontvlambaarheidsgrens (LFL) blijft.



Het ontvlambaarheidsrisico van de MEHITS units met koudemiddel R454B is minimaal. De plaatselijke normen kunnen echter een risicoanalyse op de installatieplaats voorschrijven.

Hieronder volgen enkele eigenschappen van R454B:

<b>Naam ASHRAE/ ISO817</b>	R454B
PED unit	1
Veiligheidsclassificatie ASHRAE	A2L
Ozonafbrekend vermogen (R11 = 1)	0
GWP AR5 (AR4) (CO2 = 1)	467 (466)
Samenstelling - Gewicht %	R32 = 68,9 % R1234yf = 31,1 %
Temperatuur verzadigde vloeistof(1) bij 1 atm	-50,5
Praktische grens (kg/m3)	0,039
Lager tussen ATEL en ODL (kg/m3)	0,358
LFL @ 23 °C, 50% RV (% v/v)	11,7
LFL (kg/m3)	0,303
UFL @ 23 °C, 50% RV (% v/v)	22,0
UFL (kg/m3)	0,569
Dichtheid(1) @ 21 °C, 1atm (kg/m3)	2,63
Verbrandingssnelheid (cm/s)	5,2
Minimale ontstekingsenergie (mJ) (ASTM E582-13)	100 - 300
Moleculaire massa	62,61
Zelfontbrandingstemperatuur (°C) (ASTM E659-15)	498
Oppervlakte-ontbrandingstemperatuur (°C) (ASTM E659-18)	>800



### 3. TRANSPORT

De units moeten met inachtneming van de plaatselijke wetten vervoerd worden. De maximale hoeveelheid koudemiddel wordt voorgeschreven door de geldende wetten inzake transporten.



Voor transporten in Europa wordt het Europese verdrag betreffende het internationaal vervoer van gevaarlijke goederen over de weg (ADR) toegepast. Dit verdrag bepaalt een gedeeltelijke vrijstelling als het totale koudemiddel dat per vrachtwagen vervoerd wordt niet meer dan 1000 punten bedraagt (1 kg A2L = 3 punten; 1 kg A1 = 1 punt). Een vrachtwagen kan bijvoorbeeld het volgende vervoeren:

- 10 units met ieder 100 kg R410 -> Totaal aantal punten: 1000
- 10 units met ieder 33 kg R454B -> Totaal aantal punten: 1000
- 4 units met ieder 200 kg R410 + 2 units met ieder 33 kg R454B -> Totaal aantal punten: 1000

Eenvoudige veiligheidsmaatregelen staan een gedeeltelijke vrijstelling van het ADR toe. Bijv.

- Brandblusser in de vrachtwagen
- Zaklamp die geen vonken voortbrengt in de vrachtwagen
- Rood etiket op de buitenverpakking (reeds aangebracht door MEHITS)

**LET OP:** DE UNIT IS VOORZIEN VAN EEN VEILIGHEIDSOVERDRUKKLEP DIE KOUEMIDDEL ZOU KUNNEN AFGEVEN ALS DE UNIT BLOOTGESTELD WORDT AAN HOGE TEMPERATUREN. **DE TRANSPORTTEMPERATUUR MAG NIET HOGER ZIJN DAN 50 °C.**



**4. OPSLAG**

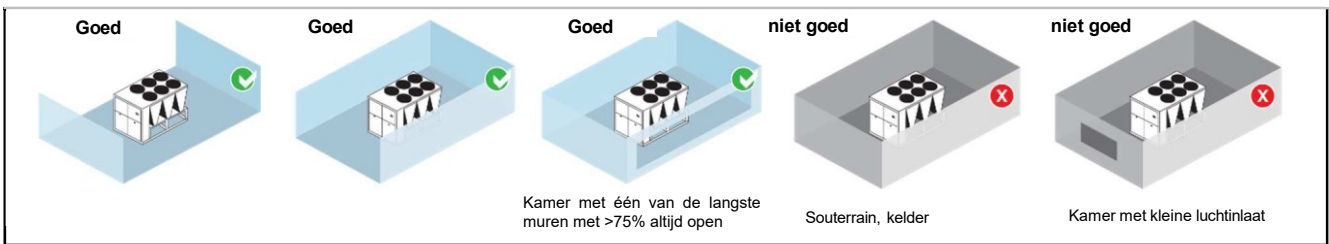
De chiller- en warmtepompunits met luchtbron en koudemiddel R454B moeten in de open lucht opgeslagen worden. De opslag moet aan de toepasselijke normen, de plaatselijke wetten en de bestaande constructieregels voldoen:

**LET OP: DE UNIT IS VOORZIEN VAN EEN VEILIGHEIDSOVERDRUKKLEP DIE KOUEMIDDEL ZOU KUNNEN AFGEVEN ALS DE UNIT BLOOTGESTELD WORDT AAN HOGE TEMPERATUREN. DE OPSLAGTEMPERATUUR MAG NIET HOGER ZIJN DAN 50 °C.**

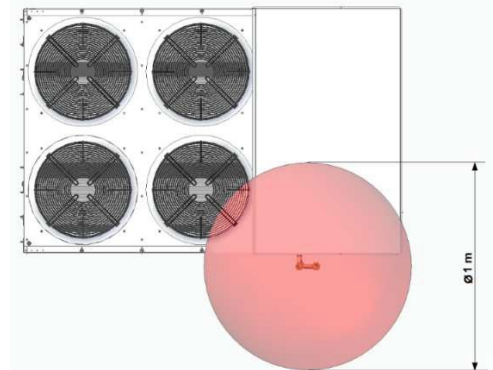
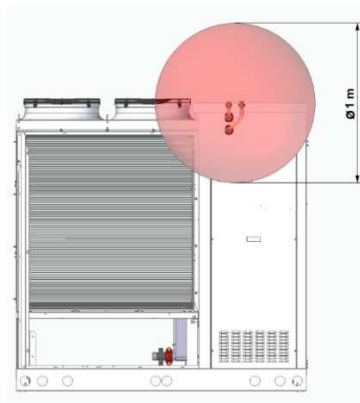
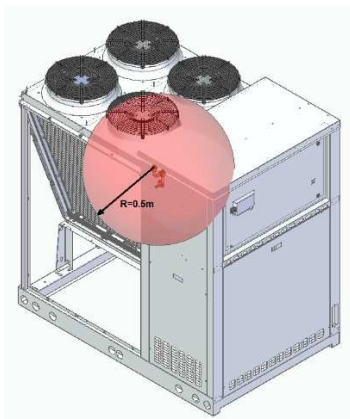


**5. INSTALLATIE**

- De units met luchtbron en koudemiddel R454B moeten in de open lucht geïnstalleerd worden; hierdoor worden zeer lage risiconiveaus verzekerd.
- Het koudemiddel is zwaarder dan lucht en kan stagneren, bijvoorbeeld onder de grond of ter hoogte van de vloer, waardoor er ontvlambare concentraties kunnen ontstaan. Om ontsteking te voorkomen moet ervoor gezorgd worden dat de omgeving veilig blijft door geschikte ventilatie.



- De units met luchtbron en koudemiddel R454B mogen niet geïnstalleerd worden in souterrains of ondergrondse ruimten die niet aan de eisen van de norm EN 378-3:2016 - par. 5 voldoen (gasdetectie, ventilatie, alarmsysteem enz.).
- Als de kans bestaat dat het afgegeven koudemiddel stagneert, bijvoorbeeld onder de grond, moet aan de eisen van de norm EN 378-3:2016 voldaan worden voor wat betreft gasdetectie, ventilatie en alarmsystemen.
- De R454B units die in de open lucht geïnstalleerd zijn moeten zodanig geplaatst worden dat het koudemiddel in geval van lekken niet in het gebouw stroomt en geen gevaren oplevert voor personen, dieren of voorwerpen. Er moet in geval van lekken gecontroleerd worden of er geen koudemiddel binnendringt via ventilatieopeningen, deuren, luiken e.d. Indien de unit buiten op een beschutte plaats geïnstalleerd wordt moet voor adequate geforceerde of natuurlijke ventilatie gezorgd worden.
- De R454B units zijn uitgerust met een veiligheidsoverdrukklep (PRV - Pressure Release Valve). In geval van overdruk is het mogelijk dat het koudemiddel door de PRV klep uitgestoten wordt. De uitlaat van de klep moet altijd van de omkasting van de unit naar de open lucht in veilige verhoogde zones gericht worden (minstens 1 m boven het grondniveau met de uitlaatopening naar boven gericht om het middel beter te kunnen verdriven) en ver van mogelijke ontstekingsbronnen (elektrische installaties die bogen of vonken kunnen veroorzaken, hete oppervlakken, open vuur enz.). Waar nodig worden de eisen van de norm EN 378-2:2016, 6.2.14 met betrekking tot ontstekingsbronnen toegepast. In de buurt van de PSV-ventilatie moet een veiligheidsruimte met een radius van minimaal 0,5 m aanwezig zijn; in dit gebied moet gegarandeerd worden dat er geen vlammen, vonken, hete oppervlakken of andere mogelijke ontstekingsbronnen zijn. Zie de onderstaande afbeelding voor een meer gedetailleerde uitleg:



Naast bogen, vonken, hete oppervlakken, vlammen enz. moet er ook rekening gehouden worden met andere ontstekingsbronnen:

- o *Elektrische zwerfstromen en kathodische anticorrosiebescherming*: om ontstekingsbronnen te vermijden, dient u voorzichtig te zijn wanneer de NX-unit wordt geïnstalleerd in de buurt van spoorlijnen, elektromagnetische inductieovens, grote lassystemen of andere apparatuur die zwerfstromen kan opwekken.

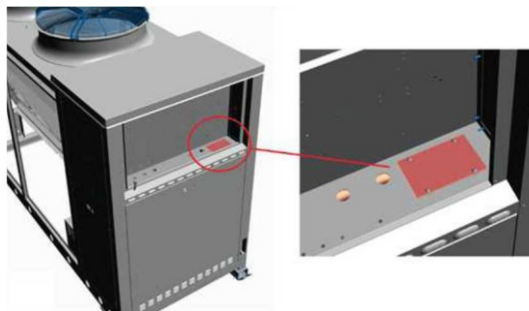
Zwerfstromen kunnen door elektrisch geleidende systemen of delen daarvan stromen, zoals:

- retourstromen in stroomopwekkingssystemen - met name in de buurt van elektrische spoorlijnen en grote lasinstallaties - wanneer bijvoorbeeld elektrisch geleidende systeemonderdelen zoals rails of ondergronds gelegde kabelmantels de weerstand van deze retourleiding verminderen;
- naar aanleiding van kortsluiting of kortsluiting naar aarde als gevolg van storingen in de elektrische installaties;
- naar aanleiding van magnetische inductie (bijvoorbeeld in de buurt van elektrische installaties met hoge stromen of radiofrequenties).

Als onderdelen van een systeem die zwerfstromen kunnen dragen, worden losgekoppeld, aangesloten of kortgesloten (zelfs bij kleine potentiaalverschillen), kan een explosieve atmosfeer ontstaan door de aanwezigheid van vonken en/of elektrische vlambogen. Bovendien is het mogelijk dat ontsteking plaatsvindt ook als gevolg van verwarming van deze stroompaden.

Het is mogelijk dat de bovengenoemde ontstekingsrisico's ook aanwezig zijn bij het gebruik van kathodische anticorrosiebescherming tegen opgedrukte stroom. Bij gebruik van opofferingsanodes is het risico op ontsteking door elektrische vonken echter onwaarschijnlijk, tenzij de anodes van aluminium of magnesium zijn.

- o *Mechanisch voortgebrachte vonken*: door onbalans of beschadiging van de lagers kunnen de bladen van een ventilator tegen roosters en sproeiers aan schuren of stoten; wrijving, stoten of schuren kan leiden tot oververhitting of loslaten van vaste deeltjes bij hoge temperaturen, die een mogelijke ontstekingsbron kunnen zijn. Zorg ervoor dat de ventilatoren geen abnormale trillingen of geluiden voortbrengen; als deze geconstateerd worden, stop het apparaat dan en breng de technische service hiervan op de hoogte.
- Bij de R454B units is een deel van het koudecircuit ondergebracht in een omkasting: de potentieel ontvlambare zone kan zich voorbij de grenzen van de unit uitstrekken vooral als de deuren of panelen van de unit geopend worden naar aanleiding van lekken. Er moet een aanvullende risicobeoordeling gemaakt worden om de vereisten van de installatieplaats vast te stellen.
- De installateur moet naar behoren beschermde en duidelijk leesbare documentatie verstrekken die in de buurt van de werkplek van de unit bewaard moet worden. Deze documentatie moet minstens de ontvlambaarheidsgegevens van het ontvlambare koudemiddel bevatten (zie EN 378-2:2016, 6.4.3.3).
- De schakelkast is ontworpen om gevaarlijke concentraties van koudemiddel in geval van lekken te voorkomen. De schakelkast mag niet veranderd worden door er extra gaten in te maken of kabelwartels te verwijderen. De bedrading moet aan de volgende eisen voldoen: voor het doorvoeren van kabels moeten altijd geschikte platen gebruikt worden die toegerust zijn voor het soort gebruik (zie bijgevoegde voorbeeldtekening). Er moeten gaten in de platen geboord worden en de platen moeten voorzien zijn van kabelwartels die geschikt zijn voor de diameter van de voedingskabel van de unit.



## 6. ONDERHOUD

Alvorens werkzaamheden aan koudecircuits te verrichten moeten de volgende voorzorgsmaatregelen genomen worden:

- Toestemming krijgen om aan hete delen te werken (indien vereist).
- Ervoor zorgen dat er op de werkplek geen ontvlambare materialen of ontstekingsbronnen zijn.
- Ervoor zorgen dat er in de onmiddellijke nabijheid geschikte brandblusmiddelen zijn (CO<sub>2</sub> of droog poeder).
- Alvorens aan het koudecircuit beginnen te werken of voordat er las- of soldeerwerkzaamheden uitgevoerd worden ervoor zorgen dat de werkplek goed geventileerd is. Indien het nodig is om de koudemiddeldampen te verdrijven vooral in aangrenzende ruimten, gebruik maken van extra ventilatiesystemen die geschikt zijn voor het koudemiddel R454B, zoals blazers of ventilatoren (dit geldt voor alle koudemiddelen).
- Ervoor zorgen dat er op de betreffende plaats geschikte en goed functionerende ontvlambare gasdetectoren zijn om de werknemers te waarschuwen in geval van gevaarlijke koudemiddelconcentraties, met name wanneer er aan hete delen wordt gewerkt.
- Ervoor zorgen dat de lekdetector die wordt gebruikt geen vonken kan voortbrengen, naar behoren verzegeld is en intrinsiek veilig is.
- Geschikte waarschuwborden aanbrengen, zoals bijvoorbeeld: "roken verboden" en "verboden toegang".
- Ervoor zorgen dat alle benodigde instrumenten en persoonlijke beschermingsmiddelen beschikbaar zijn.
- Ervoor zorgen dat de personen die belast zijn met het onderhoud naar behoren geïnstrueerd zijn.

OPMERKING: indien mogelijk wordt aanbevolen om de installatie van de installatieplaats naar een werkplaats te verplaatsen waar de werkzaamheden op een veilige manier uitgevoerd kunnen worden.

Alvorens werkzaamheden aan koudecircuits te verrichten moet de volgende procedure opgevolgd worden:

- Het koudemiddel verwijderen (restdruk vermelden).
- Het circuit doorspoelen met inert gas (bijv. stikstof).
- Op een absolute druk van 30 kPa (0,03 MPa) aftappen.

- Opnieuw met doorspoelen met inert gas (bijv. stikstof).
- Het circuit openen.
- Leidingen of onderdelen die koudemiddel bevatten niet solderen. Alvorens het circuit te openen moet het koudemiddel opgevangen of verwijderd worden. Om de leidingen te openen een pijpsnijder gebruiken. Geen open vuur gebruiken. Alvorens te solderen met een koudemiddeldetector controleren of er geen potentieel ontvlambare atmosferen zijn. Geen open vuur gebruiken zolang de werkruimte niet voldoende geventileerd is.
- Wanneer er compressoren of olie van compressoren verwijderd moeten worden moeten deze tot een aanvaardbaar peil afgetapt worden om te voorkomen dat er ontvlambaar koudemiddel in het smeermiddel achterblijft.
- Uitsluitend materialen voor het opvangen van koudemiddel gebruiken die geschikt zijn voor gebruik met ontvlambare smeermiddelen. Het kan zijn dat de materialen voor het opvangen van HFC koudemiddelen niet getest zijn voor ontvlambare koudemiddelen. Als de landelijke normen het lozen van koudemiddelen toestaat moet dit op een veilige manier gedaan worden, bijvoorbeeld door een slang te gebruiken zodat het koudemiddel buiten en op een veilige plaats geloosd kan worden. Niet toestaan dat er zich een concentratie van explosieve ontvlambare koudemiddel in de buurt van ontstekingsbronnen vormt of in gebouwen binnendringt.
- Na afloop van reparaties moeten de veiligheidsvoorzieningen, zoals koudemiddeldetectors en mechanische ventilatiesystemen, gecontroleerd worden en moet de uitkomst daarvan geregistreerd worden.
- Eventuele ontbrekende of onleesbaar geworden labels op de onderdelen van het koudecircuit moeten weer in orde gemaakt worden.
- Tijdens het opsporen van koudemiddellekken mogen geen ontstekingsbronnen gebruikt worden.
- Onderhoud en reparaties waarvoor vakbekwaam personeel vereist is moeten uitgevoerd worden onder toezicht van personeel dat bekwaam is in het hanteren van ontvlambare koudemiddelen. Iedereen die gewone of buitengewone onderhoudswerkzaamheden aan een installatie of aan onderdelen die op de installatie aangesloten zijn uitvoert moet over de competentie zoals bepaald door de norm EN 13313 beschikken.

Iedereen die aan de unit werkt moet in het bezit zijn van de nodige competentie om ontvlambare koudemiddelen op een veilige manier te hanteren, gebaseerd op een aantoonbare gedegen opleiding. Dit zal het volgende omvatten:

- Kennis van wetten, normen en voorschriften met betrekking tot ontvlambare koudemiddelen.
- Uitgebreide kennis en ervaring met hanteren van ontvlambare koudemiddelen, gebruik van persoonlijke beschermingsmiddelen, preventie van koudemiddellekken, hanteren van flessen, vullen, opsporen van lekken, opvangen en verwijderen.



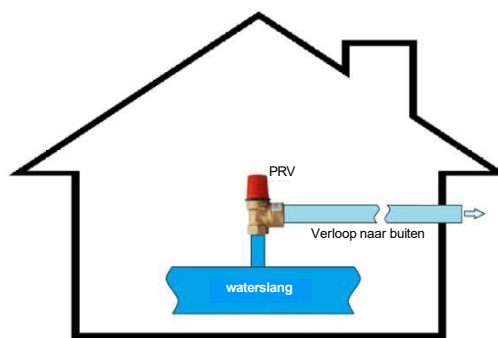
## 7. HYDRAULISCH CIRCUIT

In geval van defecten zou de warmtewisselaar van de unit koudemiddel in het watercircuit kunnen afgeven. Om de afgifte van koudemiddel in aangrenzende ruimten via leidingen te minimaliseren is de warmtewisselaar van de MEHITS unit waterzijdig uitgerust met een veiligheidsoverdrukklep (PRV - Pressure Release Valve) om het koudemiddel in de atmosfeer af te voeren. Het valt onder de verantwoordelijkheid van de installateur om het watercircuit (leidingen, ventilatoren, tanks enz.) te ontwikkelen en te beschermen rekening houdend met de PRV klep, de pompvoerdruk, de geodetische hoogte enz..

De uitlaatopening van de PRV klep moet van de omkasting naar de open lucht gericht zijn, in een veilige zone uit de buurt van mogelijke ontstekingsbronnen (elektrische installaties, hete oppervlakken, open vuur enz.).

Er dient gelet te worden op de uitvoering van het watercircuit: dit moet in staat zijn om te voorkomen dat er koudemiddel afgegeven wordt op plaatsen waar water of zoutoplossingen toegevoerd worden. Het onderstaande kan beschouwd worden als afdoende om aan deze eis te voldoen:

- Expansietanks/-vaten, open watertanks en dergelijke moeten buiten geïnstalleerd worden. Indien zij reeds in gesloten ruimten geïnstalleerd zijn moeten zij vervangen worden door hermetische exemplaren of naar buiten verplaatst worden.



- Geen PRV kleppen op waterleidingen in het gebouw installeren; indien mogelijk moeten PRV kleppen rechtstreeks buiten het gebouw geïnstalleerd worden of op leidingen aangesloten worden die het koudemiddel rechtstreeks naar buiten afvoeren. Om geen enkele reden mogen er afgiftepunten van koudemiddel in bezette ruimten zijn (alleen handmatige ventilatieopeningen toegestaan).

Af te dichten na  
inbedrijfstelling in geval  
van installatie in gesloten  
ruimten.



- Eventuele automatische ventilatieopeningen van het watercircuit in gebouwen moeten na de inbedrijfstelling afgedicht worden.

HERMETISCH TYPE  
binnen of buiten



OPEN TYPE  
alleen buiten



- Voor het geval het niet mogelijk is om deze potentiële afgiftepunten uit de machinekamer naar buiten te verplaatsen, moet de machinekamer aan de eisen van de norm EN 378-3:2016, bepaling 5 (gasdetectie, alarmen, ventilatie enz.) voldoen.
- Indien de unit gerepareerd moet worden moet er gecontroleerd worden of het water of de zoutoplossing geen koudemiddel bevat.

# MITSUBISHI ELECTRIC HYDRONICS & IT COOLING SYSTEMS S.p.A.

MANUAL R454B  
C0211308-06-23-PT

## Manual: Instalação, Manutenção, Transporte e Armazenamento de chiller e bombas de calor de fonte de ar com refrigerante R454B

R R454B





## 1. GENERALIDADES

Este documento constitui um anexo ao manual de instalação principal. Contém informações relativas à segurança para chiller e bombas de calor de fonte de ar com refrigerante R454B, elaboradas em conformidade com os regulamentos e diretivas europeias. Seja como for, terão sempre prioridade as leis nacionais e procedimentos de construção locais.

As unidades de fonte de ar tratadas neste documento são:

- Chiller
- Bombas de calor
- Unidades para produção simultânea e independente de água quente e fria que contêm R454B.

As informações a seguir podem ajudar o instalador a trabalhar em condições seguras, mas não substituem as avaliações de riscos completas para a instalação da unidade. A avaliação dos riscos serve para avaliar os riscos diretos de lesões ou danos com base nos perigos identificados no local de instalação.

Instalação, arranque, manutenção, colocação fora de serviço e outras atividades na unidade devem ser efetuadas por pessoal formado e qualificado, de acordo com a regulamentação e os procedimentos locais.

Garrafas e sistemas que contêm refrigerante R454B exigem métodos de armazenamento e manuseamento em conformidade com a regulamentação EN 378-3:2016. Quem trabalha nos circuitos refrigerantes deve conhecer bem os refrigerantes inflamáveis e os riscos relacionados.

NOTA: o detector de fugas fornecido sob pedido não é um dispositivo de segurança. Esse deve ser utilizado apenas para detectar fugas.

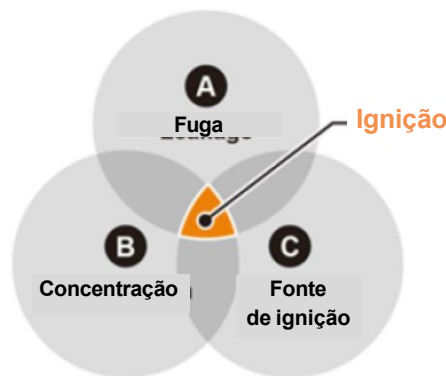


## 2. PROPRIEDADES DO REFRIGERANTE

O refrigerante R454B é classificado como ligeiramente inflamável e não tóxico (A2L segundo ISO/ASHRAE). Ligeiramente inflamável significa que sob as três condições abaixo poderia queimar lentamente. Se elimina-se uma das três condições não há risco de incêndio e pode ser considerado seguro.

Seja como for, a maior parte dos refrigerantes produz gases tóxicos quando entra em contacto com chamas.

Os refrigerantes inflamáveis (classe A2L e superior) não se incendiam se a concentração permanece abaixo do limite inferior de inflamabilidade (LFL).



O risco de inflamabilidade das unidades MEHITS com refrigerante R454B é mínimo. Todas as regulamentações locais poderiam exigir uma análise dos riscos no local de instalação.

A seguir algumas propriedades de R454B:

<b>Denominação ASHRAE/ ISO817</b>	R454B
Grupo PED	1
Classificação de Segurança ASHRAE	A2L
ODP (Potencial de destruição do ozono) (R11 = 1)	0
GWP AR5 (AR4) (CO2 = 1)	467 (466)
Composição - % Peso	R32 = 68,9 % R1234yf = 31,1 %
Temperatura do Líquido Saturado(1) @ 1 atm	-50,5
Limite Prático (kg/m3)	0,039
Inferior entre ATEL e ODL (kg/m3)	0,358
LFL (Limite inferior de inflamabilidade) @ 23°C, 50% HR (% v/v)	11,7
LFL (kg/m3)	0,303
UFL (Limite superior de inflamabilidade) @ 23°C, 50% HR (% v/v)	22,0
UFL (kg/m3)	0,569
Densidade(1) @ 21°C, 1atm (kg/m3)	2,63
Velocidade de Combustão (cm/s)	5,2
Energia Mínima de Ignição (mJ) (ASTM E582-13)	100 - 300
Massa molecular	62,61
Temperatura de auto-ignição (°C) (ASTM E659-15)	498
Temperatura superficial de ignição (°C) (ASTM E659-18)	>800



### 3. TRANSPORTE

As unidades devem ser transportadas em conformidade com a legislação local. A quantidade máxima de refrigerante será ditada pelas leis relativas aos transportes em vigor.



Para os transportes na Europa aplica-se o acordo europeu relativo ao transporte internacional de mercadorias perigosas por estrada (ADR). Este acordo prevê a isenção parcial se o refrigerante total transportado por camião não ultrapassa 1000 pontos (1 kg de A2L = 3 pontos; 1 kg de A1 = 1 ponto). Por exemplo, o camião poderia transportar:

- 10 unidades com 100 kg de R410 cada uma -> Pontos totais: 1000
- 10 unidades com 33 kg de R454B cada uma -> Pontos totais: 1000
- 4 unidades com 200 kg de R410 cada uma + 2 unidades com 33 kg de R454B cada -> Pontos totais: 1000

Simplem contra-medidas de segurança permitem uma isenção parcial do ADR. Ex.

- Extintor no camião
- Tocha que não produza centelhas no camião
- Etiqueta vermelha na embalagem externa (já afixada pela MEHITS)

**ATENÇÃO:** A UNIDADE POSSUI UMA VÁLVULA DE SEGURANÇA REGULADORA DA PRESSÃO QUE PODERIA LIBERTAR REFRIGERANTE SE A UNIDADE FOSSE EXPOSTA A ALTAS TEMPERATURAS. **A TEMPERATURA DE TRANSPORTE NÃO DEVE ULTRAPASSAR OS 50°C.**



4. ARMAZENAMENTO

As unidades chiller e bombas de calor de fonte de ar com refrigerante R454B devem ser armazenadas ao ar livre. O armazenamento deve ser efetuado em conformidade com as normativas aplicáveis, a legislação local e as regras de construção existentes:

**ATENÇÃO:** A UNIDADE POSSUI UMA VÁLVULA DE SEGURANÇA REGULADORA DA PRESSÃO QUE PODERIA LIBERTAR REFRIGERANTE SE A UNIDADE FOSSE EXPOSTA A ALTAS TEMPERATURAS. **A TEMPERATURA DE ARMAZENAMENTO NÃO DEVE ULTRAPASSAR OS 50°C.**

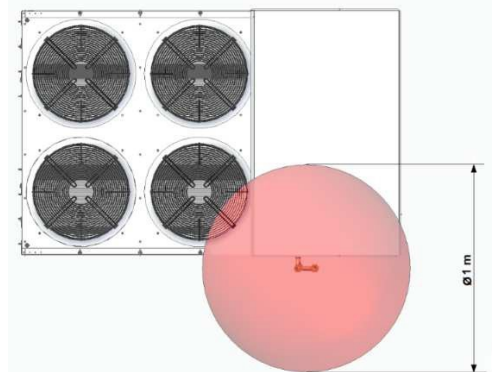
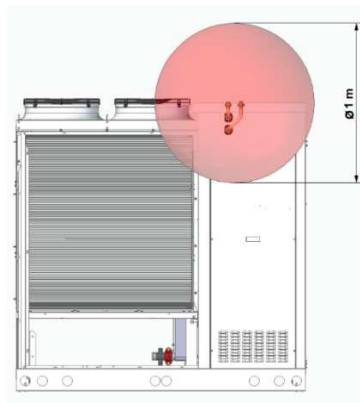
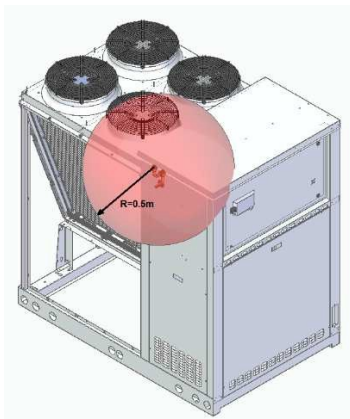


5. INSTALAÇÃO

- As unidades de fonte de ar com refrigerante R-454B devem ser instaladas ao ar livre; isto assegura níveis de risco muito baixos.
- O refrigerante é mais pesado do que o ar e pode estagnar, por exemplo, subterraneamente ou a nível do pavimento, atingindo concentrações inflamáveis. Para evitar a ignição, mantenha um ambiente seguro com uma ventilação adequada.



- Não instale as unidades de fonte de ar com refrigerante R454B em caves ou locais subterrâneos não conformes com os requisitos da normativa EN 378-3:2016 - par. 5 (detecção de gás, ventilação, sistema de alarme, etc.).
- No caso em que haja possibilidade de estagnação do refrigerante libertado, por exemplo a nível subterrâneo, será necessário satisfazer os requisitos do regulamento EN 378-3:2016 relativo à detecção de gases, a ventilação e os sistemas de alarme.
- As unidades R454B instaladas ao ar livre devem ser posicionadas de forma que, no caso de fugas, o refrigerante não escorra dentro do edifício e não represente um perigo para pessoas, animais ou coisas. Verifique que no caso de fugas não haja penetração de refrigerante através das aberturas de ventilação, portas, alçapões ou semelhantes. No caso de instalação de unidades em exteriores com abrigo, deve-se garantir uma adequada ventilação forçada ou natural.
- As unidades R454B estão equipadas com válvulas de segurança reguladora da pressão (PRV - Pressure Release Valve). No caso de sobrepessão é possível que o refrigerante seja expulso através da PRV. As saídas das válvulas devem ser conduzidas pelo invólucro da unidade para o ar livre, em zonas seguras elevadas (pelo menos 1 m do nível do solo e com a boca de descarga para cima, para melhorar a dispersão) e afastadas de prováveis fontes de ignição (instalações elétricas que poderiam causar arcos ou centelhas, superfícies quentes, chamas, etc). Onde for apropriado são aplicáveis os requisitos da regulamentação EN 378-2:2016, 6.2.14 relativa às fontes de ignição. Nas proximidades da ventilação PSV deve haver uma zona de segurança com um raio de pelo menos 0,5 m; nesta zona deve ser garantida a ausência de chamas, faíscas, superfícies quentes ou outras eventuais fontes de ignição. Para uma explicação mais detalhada, ver figura abaixo:



Além dos arcos, faíscas, superfícies quentes, etc. é necessário tomar em consideração outras fontes de ignição:

- o *Correntes elétricas parasitas e de proteção catódica anti-corrosão*: para evitar fontes de ignição, prestar atenção quando a unidade NX está instalada perto de linhas ferroviárias, fornos de indução eletromagnética, grandes sistemas de soldadura ou outros aparelhos que poderiam induzir correntes parasitas.

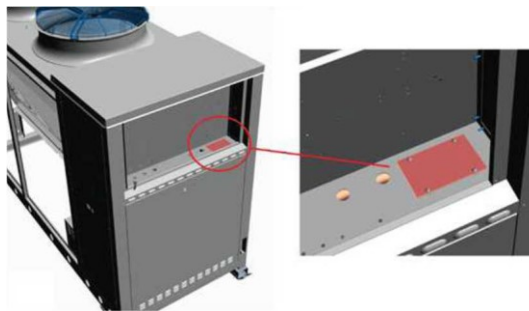
As correntes parasitas podem fluir através de sistemas eletricamente condutivos ou partes dessas como:

- correntes de retorno nos sistemas para a criação de energia - especialmente, nas proximidades linhas ferroviárias elétricas e grandes sistemas de soldadura - quando, por exemplo, componentes de sistemas eletricamente condutivos como os carris ou a bainha de cabos assentes subterraneamente reduzem a resistência de tal percurso de retorno;
- na sequência dum curto-circuito ou dum curto-circuito à terra devido a avarias das instalações elétricas;
- na sequência da indução magnética (por exemplo, nas proximidades de instalações elétricas com correntes elevadas ou radiofrequências).

No caso em que partes dum sistema capazes de transportar correntes parasitas estejam desligadas, ligadas ou em curto-circuito (mesmo no caso de leves diferenças de potencial), poderia ser formada uma atmosfera explosiva devido à presença de faíscas e/ou arcos elétricos. Além disso, é possível que a ignição ocorra também por causa do aquecimento de tais percursos de corrente.

É possível que os referidos riscos de ignição também ocorram no caso de utilização de proteção catódica anti-corrosão por corrente imposta. Todavia, utilizando ânodos de sacrifício, os riscos de ignição devidos a faíscas elétricas são improváveis, a não ser que os ânodos sejam de alumínio ou de magnésio.

- o *Faíscas geradas mecanicamente*: por causa dum desequilíbrio ou duma deterioração dos rolamentos, as pás dum ventilador podem esfregar ou bater contra grelhas e bicos; o atrito, o impacto ou a abrasão podem causar o sobreaquecimento ou a descolagem de partículas sólidas a alta temperatura, que poderiam representar uma potencial fonte de ignição. Verificar que os ventiladores não apresentem vibrações ou ruídos anómalos; se ocorrerem, parar a máquina e informar o serviço de assistência.
- As unidades R454B têm parte do circuito refrigerante no interior dum invólucro: a zona potencialmente inflamável poderia ampliar-se para além dos limites da unidade, especialmente quando portas ou painéis da unidade são abertos na sequência de fugas. Será efetuada uma avaliação dos riscos para a definição dos requisitos do local de instalação.
- O instalador deverá fornecer a documentação adequadamente protegida e claramente legível, a ser conservadas nas proximidades do local operacional da unidade. Essa deverá conter pelo menos os dados de inflamabilidade do refrigerante inflamável (veja EN 378-2:2016, 6.4.3.3).
- A caixa elétrica foi projetada para evitar concentrações de refrigerante perigosas no caso de fugas. Essa não deve ser modificada efetuando furos adicionais ou removendo os buçins. As cablagens devem cumprir os seguintes requisitos: para a passagem dos cabos utilize placas apropriadas preparadas para o tipo de utilização (em anexo, veja desenho de exemplo). As placas devem ser furadas e equipadas de buçins adequados para o diâmetro do cabo de alimentação da unidade.



## 6. MANUTENÇÃO

Antes de iniciar os trabalhos nos circuitos de refrigerante tome as seguintes precauções:

- Obtenha uma autorização para trabalhar nas partes quentes (se exigido);
- Verifique que na área de trabalho não haja materiais inflamáveis ou fontes de ignição;
- Verifique que nas imediatas proximidades estejam disponíveis meios de extinção de incêndios apropriados (CO2 ou pó seco);
- Antes de iniciar de trabalhar no circuito de refrigerante, ou antes de iniciar operações de soldadura ou brasagem, verifique que a área de trabalho esteja bem ventilada. Se for necessário para a dispersão dos vapores de refrigerante, especialmente em espaços reduzidos, utilize meios de ventilação adicional indicados para o refrigerante R454B, como sopradores ou ventiladores. (Isto é válido para todos os refrigerante);
- Verifique que na área haja detectores de gases inflamáveis adequados e que funcionem, para avisar os trabalhadores no caso de concentrações de refrigerante perigosas, especialmente no caso de trabalho em partes quentes;
- Verifique que o detector de fugas utilizado não produza centelhas, esteja selado adequadamente e seja intrinsecamente seguro;
- Coloque cartazes de aviso adequados; por exemplo: "proibido fumar" e "proibida a entrada";
- Verifique que estejam disponíveis todos os instrumentos e equipamento de proteção individuais necessário;
- Verifique que os encarregados pela manutenção tenham sido adequadamente instruídos.

NOTA: se possível, recomendamos de transferir a instalação da posição de instalação para uma oficina, onde se poderão realizar os trabalhos em condições de segurança.

Antes de iniciar os trabalhos nos circuitos de refrigerante siga este procedimento:

- Elimine o refrigerante (especifique a pressão residual);
- Purgue o circuito com gás inerte (ex. azoto);
- Evacue a uma pressão de 30 kPa absoluta (0,03 MPa);
- Purgue ainda com gás inerte (ex. azoto);
- Abra o circuito.

- Não solde tubagens ou componentes que contêm refrigerante. Antes de abrir o circuito, o refrigerante deve ser recuperado ou eliminado. Utilize um cortador de tubos para abrir as tubagens. Não utilize chamas abertas. Antes da brasagem, controle com um detector de refrigerante que não haja atmosferas potencialmente inflamáveis. Não use chamas abertas enquanto o ambiente não estiver adequadamente ventilado.
- No caso em que devam ser removidos compressores ou óleos de compressores, elimine até um nível aceitável, para evitar que haja refrigerante inflamável no lubrificante.
- Utilize apenas instrumentos para a recuperação de refrigerantes adequados para a utilização com refrigerantes inflamáveis. Equipamentos para a recuperação de refrigerante HFC poderiam não ter sido testados com refrigerantes inflamáveis. Se a regulamentação nacional permite a descarga do refrigerante, isso deve ser feito de maneira segura, por exemplo, usando um tubo flexível, de modo a descarregar o refrigerante no exterior numa área segura. Não permita a formação duma concentração de refrigerante inflamável explosiva nas proximidades de fontes de ignição, ou a penetração no interior de edifícios.
- No final das reparações, controle os dispositivos de segurança, tais como os detectores de refrigerantes e sistemas de ventilação mecânica e registre os relativos resultados.
- Reponha eventuais etiquetas em falta ou ilegíveis sobre os componentes do circuito refrigerante.
- Durante a identificação de fugas de refrigerante não utilize fontes de ignição.
- Manutenções e reparações que exijam a intervenção de pessoal experiente devem ser efetuadas sob a supervisão de pessoal com experiência no manuseamento de refrigerantes inflamáveis. Qualquer pessoa que efetue trabalhos de manutenção de rotina ou extraordinária numa instalação, com ou componentes ligados à instalação, deverá possuir uma competência de acordo com a regulamentação EN 13313.

Quem trabalhar na unidade deverá possuir as competências necessárias para um manuseamento seguro dos refrigerantes inflamáveis, apoiado por evidências de treinamento apropriado. Isto incluirá o seguinte:

- Conhecimento da legislação, regulamentações e padrões relativos a refrigerantes inflamáveis;
- Conhecimento detalhado e experiência na gestão de refrigerantes inflamáveis, utilização de equipamento de proteção individual, prevenção de fugas de refrigerante, manuseamento de garrafas, carregamento, detecção de fugas, recuperação e eliminação.



## 7. CIRCUITO HIDRÁULICO

No caso de avaria o permutador de calor da unidade poderia libertar refrigerante no circuito de água. Para reduzir a libertação de refrigerante em zonas limitadas através de tubagens, o lado água do permutador da unidade MEHITS está equipado com uma válvula de segurança reguladora da pressão (PRV), para a saída do refrigerante para a atmosfera. O instalador deve projetar e proteger o circuito de água (tubagens, ventiladores, reservatórios, etc.), tendo em conta a PRV, pressão, altura manométrica da bomba, altitude geodésica, etc.

A porta de saída da PRV deve ser conduzida pelo invólucro para o ar livre, numa zona segura afastada de possíveis fontes de ignição (instalações elétricas, superfícies quentes, chamas, etc.).

Preste atenção à conformação do circuito hidráulico água: deve ser capaz de prevenir a libertação de refrigerante em áreas servidas de água ou solução salina. O seguinte pode ser considerado como satisfatório para este requisito:

- Reservatórios/vasos de expansão, reservatórios de água abertos e semelhantes devem ser instalados ao ar livre. No caso em que já estivessem instalados em local fechado, esses deverão ser substituídos com outros de tipo hermético, ou deslocados para fora.



- Evite a instalação da PRV em tubagens hidráulicas no interior do edifício; se possível, instale as PRV diretamente no exterior do edifício, ou ligue-as a tubagens que descarreguem o refrigerante diretamente no exterior. Não existirão por nenhum motivo pontos de libertação de refrigerante em espaços ocupados (permitidas apenas nas bocas de ventilação manual).

Selar após a montagem,  
no caso de instalação em  
locais fechados.



- Eventuais bocas de ventilação automáticas do circuito hidráulico no interior de edifícios deverão ser seladas após a instalação.

TIPO HERMÉTICO  
interior ou exterior



TIPO ABERTO  
apenas exterior



- No caso em que não seja possível deslocar estes pontos de potencial libertação da casa de máquinas para fora, a casa de máquinas deverá satisfazer os requisitos da regulamentação EN 378-3:2016, cláusula 5 (detecção de gás, alarmes, ventilação, etc.).
- No caso em que a unidade precise de reparação, controle que não haja refrigerante na água ou solução salina.

## MITSUBISHI ELECTRIC HYDRONICS & IT COOLING SYSTEMS S.p.A.

R454B KILAVUZ  
C0211308-06-23-TR

### Kılavuz: R454B Soğutucu Maddeli Hava Kaynaklı Soğutucular ve Isı Pompaları için Kurulum, Servis, Taşıma ve Depolama Bilgileri

R R454B





## 1. GENEL BİLGİLER

Bu belge ana kurulum kılavuzuna ek olarak kabul edilir; Avrupa yönetmeliklerine ve direktiflerine atıfta bulunarak, R454B soğutucu madde ile doldurulan Hava Kaynaklı Soğutucular ve Isı Pompaları'nın güvenliği hakkında bilgi içerir. Her ülkenin ulusal yasaları ve yerel inşaat yasaları her durumda ve her zaman öncelikle uygulanmalıdır.

Bu belge kapsamındaki Hava Kaynaklı üniteler:

- Soğutucular
- Isı pompaları
- Eş zamanlı ve bağımsız sıcak ve soğuk su üretimi için R454B doldurulmuş üniteler.

Aşağıdaki bilgiler kurulumcunun uygun ve güvenli bir şekilde çalışmasına yardımcı olur, ancak ünitenin kurulumu için kapsamlı bir risk değerlendirmesinin yerini alamaz. Kurulum sahasında tespit edilen tehlikelerle ilgili doğrudan bir yaralanma riski veya maddi hasar riski olup olmadığını belirlemek için risk değerlendirmesi gereklidir.

Ünitede devreye alma, başlatma, servis, hizmet dışı bırakma ve diğer işlemler, ilgili yerel standartlara ve uygulama kurallarına uygun olarak, eğitilmiş ve tam vasıflı personel tarafından gerçekleştirilecektir.

R454B soğutucu madde içeren silindirler ve ekipman, EN 378-3: 2016'ya göre uygun depolama ve taşıma prosedürlerine uygunluk gerektirir. Soğutma devresinde çalışan herhangi bir kişi yanıcı soğutucu maddeler ve bununla ilgili riskler hakkında tam olarak bilgi sahibi olmalıdır.

NOT: istek üzerine ünite ile birlikte verilen kaçak detektörü bir güvenlik cihazı olarak kabul edilemez. Sadece kaçaklara karşı test aracı olarak kullanılmalıdır.

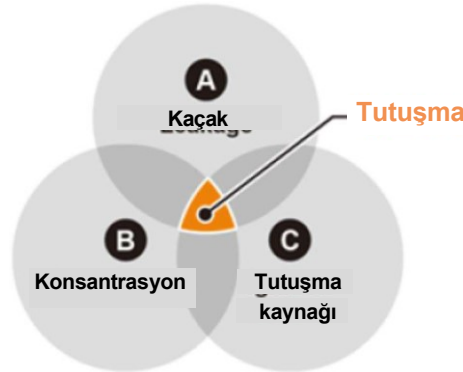


## 2. SOĞUTUCU MADDE ÖZELLİKLERİ

R454B soğutucu madde hafif yanıcı ve toksik olmayan olarak sınıflandırılmıştır (ISO/ASHRAE'ye göre A2L). Hafif yanıcı, aşağıda gösterilen üç şart durumunda, soğutucu maddenin yavaşça yanması ihtimali olduğu anlamına gelir. Üç koşuldan birinin çıkarılması yangın tehlikesi oluşturmaz ve bu nedenle güvenli olarak kabul edilebilir.

Her durumda, soğutucu maddelerin çoğu çıplak bir alevle temas ettiğinde zehirli bir gaz yayar.

Konsantrasyon seviyesi düşük alevlenme sınırının (LFL) altında kalıyorsa, tüm yanıcı soğutucu maddeler (A2L sınıfı ve üstü) tutuşmayacaktır.



R454B soğutucu madde içeren MEHITS ünitelerinin yanma riski minimum düzeydedir, ancak yerel yönetmeliklere bağlı olarak bir saha risk analizi yapılması gerekebilir.

Aşağıda R454B'nin bazı özellikleri sıralanmıştır:

<b>ASHRAE/ ISO817 Adı</b>	R454B
PED Grubu	1
ASHRAE Güvenlik Sınıflandırması	A2L
Ozon Tüketme Potansiyeli (R11 = 1)	0
AR5 (AR4) GWP (CO2 = 1)	467 (466)
Kompozisyon Wt %	R32 = 68,9 % R1234yf = 31,1 %
Doymuş Sıvı Sıcaklığı(1) @ 1 atm	-50,5
Uygulamalı Sınır (kg/m3)	0,039
ATEL ya da ODL alt değeri (kg/m3)	0,358
LFL @ 23 °C, %50 RH (% v/v)	11,7
LFL (kg/m3)	0,303
UFL @ 23 °C, %50 RH (% v/v)	22,0
UFL (kg/m3)	0,569
Yoğunluk(1) @ 21 °C, 1atm (kg/m3)	2,63
Yanma Hızı (cm/sn)	5,2
Minimum Tutuşma Enerjisi (mJ) (ASTM E582-13)	100 - 300
Moleküler Kütle	62,61
Otomatik Tutuşma Sıcaklığı (°C) (ASTM E659-15)	498
Sıcak Yüzey Tutuşma Sıcaklığı (°C) (ASTM D8211-18)	>800



### 3. ÜNİTELERİN TAŞINMASI

Üniteler yerel mevzuata tam olarak uygun şekilde taşınmalıdır. Taşınabilecek maksimum soğutucu madde miktarı geçerli taşıma yönetmeliği ile belirlenir.



Avrupa'da taşıma için, Tehlikeli Maddelerin Karayoluyla Uluslararası Taşınmasına İlişkin Avrupa Sözleşmesi (ADR) uygulanmalıdır. Bu yönetmelik, aynı kamyonla taşınan toplam soğutucu madde miktarının 1000 puanı geçmemesini sağlayan kısmi bir muafiyete izin verir (1kg A2L, 3 puana; 1kg A1, 1 puana karşılık gelir). Örneğin bir kamyon aşağıdaki şekilde yüklenebilir::

- 10 ünite ve ünite başına 100kg R410 -> Toplam puan: 1000
- 10 ünite ve ünite başına 33kg R454B -> Toplam puan: 1000
- 4 ünite ve ünite başına 200kg R410 + 2 ünite ve ünite başına 33kg R454B -> Toplam puan: 1000

Taşıma için çok basit karşı önlemler ADR'den kısmi muafiyete olanak sağlar, ör.

- Kamyonla yangın söndürücü
- Kamyonla kıvılcım çıkarmaz fener
- Dış ambalajın üzerine yapıştırılmış kırmızı etiket (MEHITS ile halihazırda uygulanır)

**UYARI: ÜNİTE, ÜNİTE YÜKSEK SICAKLIKLARA MARUZ KALIRSA SOĞUTUCU MADDEYİ SERBEST BIRAKABİLECEK BASINÇ EMNİYET VALFLERİYLE DONATILMIŞTIR. TAŞIMA SICAKLIĞI 50 °C'DEN YÜKSEK OLMAMALIDIR.**



#### 4. DEPOLAMA

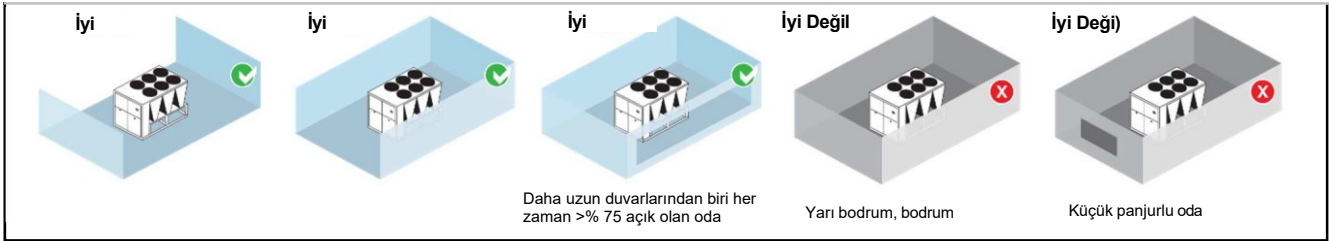
R454B soğutucu maddeli Hava Kaynaklı Soğutucuların ve Isı Pompalarının dış mekanlarda depolanması gerekir; depolama geçerli düzenlemelere, yerel yasalara ve bina yönetmeliklerine uygun olmalıdır:

**UYARI: ÜNİTE, ÜNİTE YÜKSEK SICAKLIKLARA MARUZ KALIRSA SOĞUTUCU MADDEYİ SERBEST BIRAKABİLECEK BASINÇ EMNİYET VALFLERİYLE DONATILMIŞTIR. DEPOLAMA SICAKLIĞI 50 °C'DEN YÜKSEK OLMAMALIDIR.**

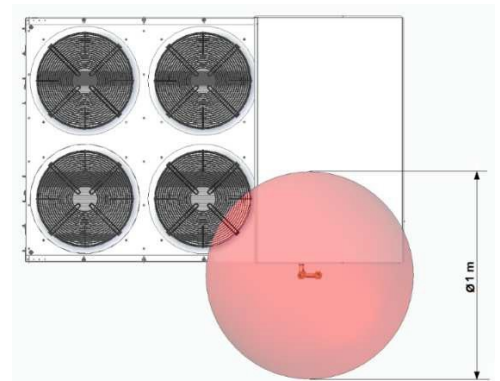
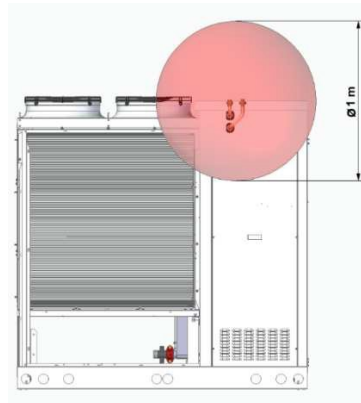
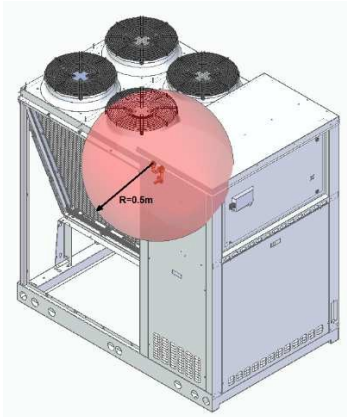


#### 5. KURULUM

- R454B soğutucu maddeli Hava Kaynaklı üniteler dışarıda, açık havada kurulmalıdır; böylece risk en aza indirilir.
- Soğutucu madde havadan ağırdır ve örneğin zeminin altında veya zemin civarında birikerek yanıcı bir konsantrasyona ulaşabilir. Tutuşmayı önlemek için uygun havalandırma sağlayarak güvenli bir çalışma ortamı sağlayın.



- EN 378-3: 2016 - bölüm.5 gerekliliklerine (gaz algılama, havalandırma, alarm sistemi vb.) uymadıkça, hava kaynaklı R454B ünitelerini yarı bodrum veya bodruma kurmayın.
- Soğutucu madde salımı durumunda örneğin zemin altında birikimin olabileceği R454B üniteleri için kurulum yapılırken gaz algılama, havalandırma ve alarm sistemleri ile ilgili EN 378-3: 2016 şartlarına uyulmalıdır.
- Dışarıda bulunan R454B üniteleri, bir sızıntı durumunda soğutucu maddenin bir binaya akmasını önleyecek veya insanları, hayvanları ve mülkleri tehlikeye atılmaktan kaçınacak şekilde konumlandırılmalıdır. Sızıntı durumunda, soğutucu maddenin herhangi bir hava deliğinden, kapıdan, zemin kapılarından veya benzeri açıklıklardan girmesi mümkün olmamalıdır. Dış mekanda bulunan soğutma ekipmanı için bir barınak sağlanması durumunda, doğal ya da yapay havalandırma olmalıdır.
- R454B ünitesi bazı emniyet Basınç Tahliye Valfleri (PRV) ile donatılmıştır. Aşırı basınç durumunda soğutucu madde PRV'lerden salınabilir. Valflerin çıkış bağlantısı ünite muhafazasından açık havaya ve güvenli bölgelerde, yerden uzağa (toprak seviyesinden en az 1m yukarıda ve boşaltma yukarı bakacak şekilde, seyreltmeyi artırmak için) veya potansiyel ateşleme kaynaklarından (ark veya kıvılcım çıkabilecek elektrikli cihazlar, sıcak yüzeyler, alevler vs.) uzağa yönlendirilecektir. EN 378-2: 2016, 6.2.14'teki ateşleme kaynaklarına ilişkin şartlar uygun olan yerlerde uygulanır. PSV havalandırmasının yakınında en az 0,5 m yarıçapına sahip bir güvenlik alanı bulunmalıdır; bu alanda alevlerin, kıvılcımların, sıcak yüzeylerin veya diğer olası tutuşma kaynaklarının bulunmadığı garanti edilmelidir. Daha ayrıntılı bir açıklama için aşağıdaki resme bakın:



Arklara, kıvılcımlara, sıcak yüzeylere, alevlere vs. ek olarak diğer tutuşma kaynaklarını dikkate almak gerekir:

- o **Kaçak elektrik akımları ve korozyona karşı katodik koruma:** tutuşma kaynaklarından kaçınmak için, NX ünitesi demiryolu hatlarının, elektromanyetik indüksiyon fırınlarının, büyük kaynak sistemlerinin veya kaçak akımlara neden olabilecek diğer ekipmanların yakınına kurulduğunda dikkatli olun.

Kaçak akımlar elektriksel olarak iletken sistemlerden veya bunların aşağıda belirtilen parçalarından geçebilir:

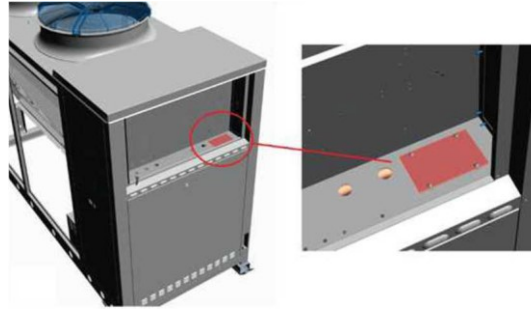
- elektrik üretim sistemlerindeki geri akımlar - özellikle elektrikli demiryolu hatları ve büyük kaynak tesislerinin yakınında - örneğin, yer altına döşenen raylar veya kablo kılıfları gibi elektriksel olarak iletken sistem bileşenleri bu dönüş yolunun direncini düşürdüğünde;
- elektrik sistemlerindeki arızalardan dolayı kısa devre veya topraklama kısa devresi sonrasında;
- manyetik indüksiyonun bir sonucu olarak (örneğin yüksek akımlara veya radyo frekanslara sahip elektrik sistemlerinin yakınında).

Bir sistemin kaçak akımları taşıyabilecek parçalarının bağlantısı kesilirse, bağlanırsa veya kısa devre yapılırsa (küçük potansiyel farklılıkları olsa bile), kıvılcıkların ve/veya elektrik arklarının varlığı nedeniyle patlayıcı bir atmosfer meydana gelebilir. Bu akım yollarının ısınmasına bağlı olarak tutuşma meydana gelmesi de mümkündür.

Yukarıda bahsedilen tutuşma risklerinin sıkıştırılmış akımdan korozyona karşı katodik koruma kullanılırken de mevcut olması mümkündür. Bununla birlikte, galvanik anotlar kullanılırken, anotlar alüminyum veya magnezyumdan yapılmadıkça, elektrik kıvılcıklarından kaynaklanabilecek tutuşma riskleri olası değildir.

- o **Mekanik olarak üretilen kıvılcıklar:** yatakların dengesizliği veya hasarı nedeniyle, bir fanın kanatları ızgaralara ve nozüllere değebilir veya çarpabilir; sürtünme, darbe veya aşınma, potansiyel bir tutuşma kaynağı olabilecek yüksek sıcaklıklarda katı partiküllerin aşırı ısınmasına veya ayrılmasına neden olabilir. Fanlarda anormal titreşim veya gürültü olmadığından emin olun; eğer mevcut iseler, makineyi durdurun ve teknik servisi bilgilendirin.

- R454B ekipmanı, bir muhafazanın içinde soğutucu madde devresinin bazı bölümleriyle sağlanır: potansiyel olarak yanıcı bir bölge, özellikle ünitenin kapıları veya panelleri bir sızıntıdan sonra açıldığında, cihazın sınırlarının ötesine uzanabilir. Kurulacak ünitenin bulunduğu yerin gerekliliklerini belirlemek için bir risk değerlendirmesi yapılmalıdır.
- Kurulumcu, ünitenin çalışma alanının yakınında tutulacak, açıkça okunaklı olan ve korunan belgeleri sağlamalıdır. Asgari olarak yanıcı soğutucu maddenin yanıcılığına dair detaylar içermelidir (bkz. EN 378-2: 2016, 6.4.3.3).
- Elektrik kutusu, herhangi bir sızıntı durumunda tehlikeli soğutucu madde konsantrasyonunu önleyecek şekilde tasarlanmıştır. Delik ilavesi veya kablo rakorlarının sökülmesi ile değiştirilmemelidir. Kablolama işlemleri aşağıdaki kurallara uygun olmalıdır: kabloların geçişi için, kapsam için düzenlenmiş uygun levhayı kullanın (aşağıdaki çizime bakın). Bu plaka üniteye giden güç kaynağı kablolarının çapına uygun şekilde delinmeli ve kablo rakorları ile donatılmalıdır.



## 6. SERVİS

Soğutucu madde devresi üzerinde çalışmadan önce aşağıdaki önlemler alınmalıdır:

- Sıcak parçalar üzerinde çalışma izni alın(gerekirse);
- Çalışma alanında hiçbir yanıcı madde bulunmadığından ve çalışma alanında hiçbir yerde tutuşma kaynağı bulunmadığından emin olun;
- Yakın alanda uygun yangın söndürme ekipmanlarının (CO2 veya kuru toz tipi) mevcut olduğundan emin olun;
- Soğutucu madde devresi üzerinde çalışmadan önce veya kaynak, lehimleme veya sert lehimleme işlemlerinden önce çalışma alanının uygun şekilde havalandırıldığından emin olun. • Özellikle kapalı alanlardaki soğutucu buharları dağıtmak için, gerekirse R454B soğutucu madde için derecelendirilmiş üfleyiciler veya fanlar gibi yardımcı havalandırma ekipmanı kullanın. (Bu öneri, her durumda, tüm soğutucu maddeler için geçerlidir);
- Çalışanları tehlikeli bir soğutucu madde konsantrasyonunda, özellikle de sıcak parçalarda yapılan çalışmalarda uyararak için uygun yanıcı gaz detektörlerinin mevcut ve çalışır durumda olmalarını sağlayın;
- Kullanılan sızıntı tespit ekipmanının kıvılcım oluşturmaması, yeterince mühürlenmiş veya kendinden emniyetli olduğundan emin olun;
- Yerlerine uygun işaretler koyun, örneğin: "sigara içilmez" ve "bu alana girmeyin" işaretleri;
- Tüm uygun ve gerekli aletlerin ve Kişisel Koruyucu Donanımların (PPE) mevcut olduğundan emin olun;
- Tüm bakım personelinin bilgilendirildiğinden emin olun.

NOT: Kurulum izin verdiğinde, ekipmanın mevcut konumdan çalışmanın güvenli bir şekilde yapılabileceği kontrollü bir atölye ortamına çıkarılması önerilir.

Soğutucu madde devresinde çalışmadan önce aşağıdaki prosedür izlenmelidir:

- Soğutucu maddeyi çıkarın (artık basıncı belirleyin);
- Devreyi etkisiz gaz (örneğin nitrojen) ile temizleyin;
- Tam 30 kPa (ya da 0,03 MPa) basınçla boşaltın;
- Yeniden etkisiz gaz (örneğin nitrojen) ile temizleyin;

- Devreyi açın.
- Soğutucu madde içeren boruyu ve bileşenleri sert lehimlemeyin. Devreyi açmadan önce, soğutucu geri kazanılmalı veya boşaltılmalıdır. Boru hatlarını açmak için sadece boru kesiciler kullanın ve açık alev kullanmayın. Sert lehimlemeden önce, alev alabilen bir ortam bulunmadığını bir soğutucu madde detektörü ile kontrol edin. Çalışma ortamı yeterince havalandırılana kadar alev kullanmaktan kaçının.
- Kompresörler veya kompresör yağları çıkarılacaksa, yağlayıcı içinde yanıcı bir soğutucu madde kalmadığından emin olmak için kabul edilebilir bir seviyeye kadar boşaltın.
- Sadece yanıcı soğutucu maddelerle kullanılmak üzere tasarlanmış soğutucu madde geri kazanım ekipmanı kullanılmalıdır. HFC soğutucu madde geri kazanım makinelerinin yanıcı soğutucu maddelerle kullanılması değerlendirilmemiştir. Ulusal yönetmelikler veya düzenlemeler, soğutucu maddenin boşaltılmasına olanak sağlarsa, bu, örneğin soğutucu maddeyi güvenli bir alanda dış ortama atmak için bir hortum kullanarak güvenli bir şekilde yapılmalıdır. Yanıcı patlayıcı bir soğutucu madde konsantrasyonunun, bir ateşleme kaynağının yakınında oluşamayacağı veya herhangi bir koşulda bir binaya giremeyeceğinden emin olunmalıdır.
- Herhangi bir onarım işinden sonra soğutucu madde gaz detektörleri ve mekanik havalandırma sistemleri gibi güvenlik cihazları kontrol edilmeli ve sonuçlar kaydedilmelidir.
- Soğutucu madde devresinin bileşenlerinde eksik veya okunamayan etiketlerin değiştirilmesi sağlanmalıdır.
- Ateşleme kaynakları, soğutucu madde sızıntısı ararken kullanılmamalıdır.
- Diğer vasıflı personelin yardımını gerektiren bakım ve onarım, yanıcı soğutucu maddelerin kullanımı konusunda yetkili kişinin gözetiminde yapılmalıdır. Bir sistemde veya ekipmanın ilgili parçalarında servis veya bakım yapan herhangi bir kişi EN 13313'e göre yetkili olmalıdır.

Ünite üzerinde çalışan kişiler, uygun eğitim kanıtı ile desteklenen, yanıcı soğutucu maddelerin kullanımında güvenlik konusunda yetkinliğe sahip olmalıdır. Bu, aşağıdaki gereksinimleri içerir:

- Yanıcı soğutucu maddeler ile ilgili mevzuat, yönetmelik ve standartlar hakkında bilgi;
- Yanıcı soğutucu maddelerin kullanımı, kişisel koruyucu donanım, soğutucu madde kaçaklarının önlenmesi, silindirlerin taşınması, dolun, kaçak tespiti, geri kazanım ve bertarafı hakkında detaylı bilgi ve beceri.



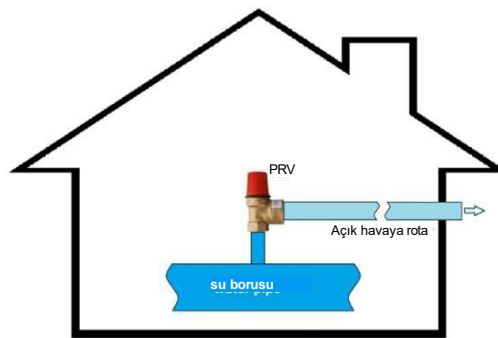
## 7. HİDROLİK DEVRE

Ünitenin ısı eşanjörü, kırılma durumunda, soğutucu maddeyi su devresine verebilir. Soğutucu maddenin iç mekanlarda su boruları yoluyla salımını en aza indirmek için, MEHITS ünitelerinin ısı eşanjörünün su bölümü, soğutucu maddeyi atmosfere bırakmak için bir emniyet Basınç Tahliye Vanası (PRV) ile donatılmıştır. PRV setini, pompa kafası basıncını, jeodezik kotayı vb. dikkate alarak su devresini (boru tesisatı, fan sarımları, tanklar vb.) tasarlamak ve korumak kurulumcunun sorumluluğundadır.

PRV'nin çıkış bağlantısı, ünite muhafazasından açık havaya ve güvenli bölgelerde potansiyel tutuşma kaynaklarından (elektrikli ekipman, sıcak yüzeyler, alevler vb.) uzağa yönlendirilmelidir.

Hidrolik su devresinin tasarımına dikkat edin: soğutucu maddenin su/tuzlu su ile hizmet verilen alanlara salınmasını önleyecek şekilde tasarlanmalıdır. Aşağıdakilerin bu şartı yerine getirdiği düşünülebilir:

- Herhangi bir açık tip genişleme kabı/deposu, su deposu ve benzerleri dış mekana kurulmalıdır. Bunlar zaten kapalı bir alana kurulmuşsa, bunların hermetik tiplerle değiştirilmesi veya iç mekandan dış mekana taşınması gerekir.



- PRV'lerin binanın içinde yer alan hidrolik borulara monte edilmemesi tercih edilir; mümkünse, PRV'leri doğrudan binanın dışına monte etmek ya da herhangi bir soğutucu maddeyi dışarıya veren bir boruya bağlamak daha iyidir. Soğutucu madde salıverme noktalarına hiçbir koşulda yerleşim alanlarında izin verilmemektedir (yalnızca manuel havalandırma menfezlerine izin verilir).

Kapalı alana monte edilirse, işletmeye alındıktan sonra kapakla kapatılmalıdır



- İç mekan hidrolik devresine monte edilen Otomatik Hava Menfezleri (AAV'ler) devreye alma işleminden sonra kapakla kapatılmalıdır.

HERMETİK TİP  
iç mekan ya da dış  
mekan



AÇIK TİP  
yalnızca dış  
mekan



- Bu potansiyel salıverme noktalarını makine dairesinden dış mekana taşımak mümkün değilse, makine dairesi EN 378-3: 2016, madde 5 gerekliliklerine (gaz algılama, alarmlar, havalandırma vb.) uygun olmalıdır.
- Ünitenin onarılması gerektiğinde, olası soğutucu madde varlığı için su/tuzlu su kontrol edilmelidir.

РУКОВОДСТВО R454B  
C0211308-06-23-RU

**Руководство:  
Установка, обслуживание, транспортировка и хранение  
охладителей и тепловых насосов с воздушным  
источником тепла, заправленных хладагентом R454B**

**R R454B**







## 1. ОБЩИЕ СВЕДЕНИЯ

Данный документ следует рассматривать как дополнение к основному руководству по установке; он содержит сведения по вопросам безопасности охладителей и тепловых насосов с воздушным источником тепла, заправленных хладагентом R454B, в отношении европейских нормативов и директив. В любом случае надлежит соблюдать государственные законы и местные строительные регламенты каждой страны, наделяя их более высоким приоритетом.

К агрегатам с воздушным источником тепла, описанным в данном документе, относятся:

- Охлаждающие установки;
- Тепловые насосы;
- Установки для одновременного и независимого производства горячей и холодной воды, заправленные хладагентом R454B.

Следующая информация поможет монтажникам работать надлежащим и безопасным образом, но не может заменить тщательной оценки рисков при установке агрегата. Оценка рисков необходима для определения, имеется ли прямой риск травмы или ущерба для имущества в связи с опасностями, выявленными на месте установки.

Ввод в эксплуатацию, запуск, техобслуживание, вывод из эксплуатации и другие операции с агрегатом должны выполняться обученным и полностью квалифицированным персоналом в соответствии с применимыми местными стандартами и регламентами.

Баллоны и оборудование, содержащие хладагент R454B, требуют надлежащего соблюдения требований к хранению и процедурам погрузки-разгрузки стандарта EN 378-3:2016. Любое лицо, эксплуатирующее холодильный контур, должно располагать полными сведениями об огнеопасных хладагентах и связанных с ними рисках.

**ПРИМЕЧАНИЕ.** Детектор утечек, поставляемый по запросу вместе с агрегатом, нельзя считать защитным устройством. Он должен использоваться только как средство обнаружения утечек.



## 2. СВОЙСТВА ХЛАДАГЕНТА

Хладагент R454B классифицируется как умеренно огнеопасный и нетоксичный (A2L согласно ISO/ASHRAE). Умеренная огнеопасность означает, что при наличии трех нижеуказанных условий возникает возможность медленного горения хладагента. При устранении одного из условий опасность пожара исчезает и, следовательно, обстановка может считаться безопасной.

В любом случае большинство хладагентов при контакте с открытым пламенем испускают токсичные газы.

Все горючие хладагенты (класс A2L и выше) не воспламеняются, если концентрация остается ниже нижнего предела воспламеняемости (LFL).



Риск воспламенения установок MENITS с хладагентом R454B является минимальным, однако в зависимости от местных нормативов может потребоваться провести анализ рисков на месте.

Некоторые из свойств R454B перечислены ниже:

Наименование ASHRAE / ISO817	R454B
Группа PED (Директива ЕС по оборудованию, работающему под давлением)	1
Классификация безопасности ASHRAE (Американское общество инженеров отопления, охлаждения и воздушного кондиционирования)	A2L
Озоноразрушающий потенциал (R11 = 1)	0
AR5 (AR4) GWP (CO2 = 1)	467 (466)
Состав, вес. %	R32 = 68,9 % R1234yf = 31,1 %
Температура насыщенной жидкости(1) при 1 атм	-50,5
Практический предел (кг/м3)	0,039
Нижний предел острой токсичности или предел гипоксии (кг/м3)	0,358
(LFL) Нижний предел воспламеняемости при 23° С, отн. влажность 50% (об. %)	11,7
LFL (кг/м3)	0,303
(UFL) Верхний предел воспламеняемости при 23° С, отн. влажность 50% (об. %)	22,0
UFL (кг/м3)	0,569
Плотность(1) при 21° С, 1 атм (кг/м3)	2,63
Скорость горения (см/с)	5,2
Минимальная энергия воспламенения (мДж) (ASTM E582-13)	100 - 300
Молекулярная масса	62,61
Температура самовоспламенения (°С) (ASTM E659-15)	498
Температура воспламенения от горячей поверхности (°С) (ASTM D8211-18)	>800



### 3. ТРАНСПОРТИРОВКА АГРЕГАТОВ

Агрегаты необходимо транспортировать в полном соответствии с требованиями местного законодательства. Максимальное количество хладагента при перевозке определяется применимыми транспортными нормативами.



При транспортировке в Европе необходимо соблюдать Европейское соглашение о международной дорожной перевозке опасных грузов (ДОПОГ, ADR). Данный регламент допускает частичное исключение при условии, что суммарное количество хладагента, перевозимого одним транспортным средством, не превышает 1000 пунктов (1 кг A2L соответствует 3 пунктам; 1 кг A1 соответствует 1 пункту). Например, грузовик можно нагрузить следующим образом:

- 10 агрегатов со 100 кг R410 на агрегат -> Всего пунктов: 1000
- 10 агрегатов с 33 кг R454B на агрегат -> Всего пунктов: 1000
- 4 агрегата с 200 кг R410 на агрегат + 2 агрегата с 33 кг R454B на агрегат -> Всего пунктов: 1000

Очень простые контрмеры при транспортировке обеспечивают частичное исключение из ДОПОГ, например:

- огнетушитель в грузовике;
- искробезопасное освещение в грузовике;
- красный ярлык на внешней упаковке (уже наклеенный компанией MENITS).

**ВНИМАНИЕ!** АГРЕГАТ ОСНАЩЕН КЛАПАНАМИ СБРОСА ДАВЛЕНИЯ, КОТОРЫЕ МОГУТ ВЫПУСТИТЬ ХЛАДАГЕНТ, ЕСЛИ АГРЕГАТ ПОДВЕРГНЕТСЯ ВОЗДЕЙСТВИЮ ВЫСОКИХ ТЕМПЕРАТУР. **ВО ВРЕМЯ ПЕРЕВОЗКИ ТЕМПЕРАТУРА НЕ ДОЛЖНА ПРЕВЫШАТЬ 50° С.**



4. ХРАНЕНИЕ

Охладители и тепловые насосы с воздушным источником тепла, заправленные хладагентом R454B, следует хранить под открытым небом; хранение должно осуществляться в соответствии с применимыми нормативами, местными законами и требованиями строительных регламентов:

**ВНИМАНИЕ!** АГРЕГАТ ОСНАЩЕН КЛАПАНАМИ СБРОСА ДАВЛЕНИЯ, КОТОРЫЕ МОГУТ ВЫПУСТИТЬ ХЛАДАГЕНТ, ЕСЛИ АГРЕГАТ ПОДВЕРГНЕТСЯ ВОЗДЕЙСТВИЮ ВЫСОКИХ ТЕМПЕРАТУР. **ВО ВРЕМЯ ХРАНЕНИЯ ТЕМПЕРАТУРА НЕ ДОЛЖНА ПРЕВЫШАТЬ 50° С.**



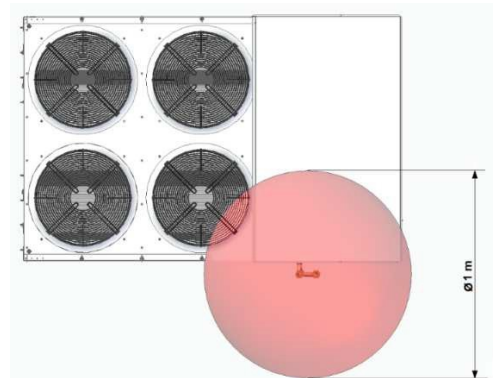
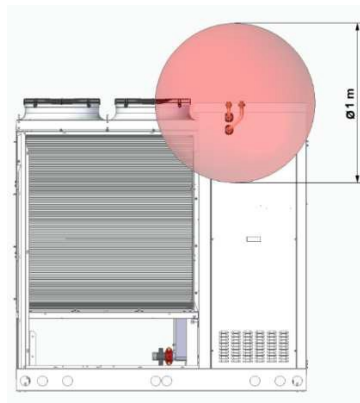
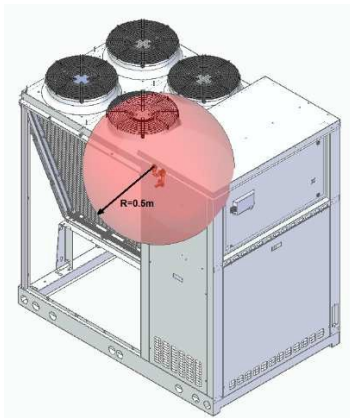
5. УСТАНОВКА

- Агрегаты с воздушным источником тепла, заправленные хладагентом R454B, необходимо устанавливать вне помещений под открытым небом, что обеспечивает крайне низкий уровень риска.
- Хладагент тяжелее воздуха и может скапливаться, например, под землей или у пола, постепенно достигая концентрации воспламенения. Во избежание возгорания поддерживайте безопасную рабочую обстановку путем обеспечения надлежащей вентиляции.



- Установка агрегатов с воздушным источником тепла, заправленных хладагентом R454B, в полуподвальных и подвальных помещениях допускается при условии, что такие помещения соответствуют требованиям п. 5 стандарта EN 378-3:2016 (газообнаружение, вентиляция, системы оповещения и т. д.).
- Для агрегатов R454B в таких местах, где возможно скопление хладагента, например, под землей, установка должна отвечать требованиям EN 378-3:2016 по системам газообнаружения, вентиляции и тревожного оповещения.
- Агрегаты R454B, установленные под открытым небом, необходимо располагать так, чтобы в случае утечки предотвратить протекание хладагента в здание или возникновение каких-либо иных опасностей для людей, животных и имущества. Необходимо исключить всякую возможность попадания хладагента в случае утечки в воздухозаборники, дверные проемы, люки или аналогичные отверстия. Если для холодильного оборудования, расположенного под открытым небом, выстроено укрытие, оно должно быть снабжено естественной или принудительной вентиляцией.
- Агрегат R454B оснащен клапанами сброса давления (PRV). В случае возникновения избыточного давления хладагент может быть выпущен через PRV. Выпуски клапанов должны быть выведены из корпуса агрегата на открытый воздух и в безопасные зоны, вдали от земли (не менее 1 м над уровнем грунта и с выпуском, направленным вверх для увеличения рассеяния) или прочь от потенциальных источников воспламенения (электрического оборудования, которое может вызвать образование дуги или искры, горячих поверхностей, открытого пламени и т. п.). Где применимо, используются требования к источникам воспламенения стандарта EN 378-2:2016, 6.2.14.

В случае близости к предохранительным клапанам необходима зона безопасности радиусом не менее 0,5 м; в этом пространстве должно быть обеспечено отсутствие пламени, искр, горячих поверхностей и прочих потенциальных источников воспламенения. Для лучшего понимания см. рис. ниже.



Кроме вспышек дуги, искр, горячих поверхностей, открытого пламени и т. д., необходимо принимать во внимание и другие источники воспламенения:

- *Блуждающие токи и катодная коррозионная защита:* Будьте внимательны при установке блока NX рядом с рельсами, электромагнитными печами, большими сварочными системами и прочей аппаратурой, способной вызывать появление блуждающих токов, которые могут стать источником воспламенения.

Блуждающие токи могут протекать в электропроводящих системах или частях систем в результате:

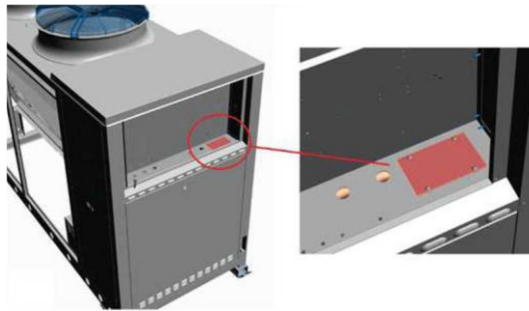
- обратных токов в системах электрогенерации — особенно поблизости от электрических рельсов и больших сварочных систем — когда, например, электропроводящие компоненты системы наподобие рельсов и экранов кабелей, проложенных под землей, понижают сопротивление этого пути обратного тока;
- короткого замыкания цепи или короткого замыкания на землю в результате отказа электроустановок;
- магнитной индукции (например, рядом с электроустановками с высокими токами или радиочастотами).

Если части системы, способные проводить блуждающие токи, отключаются, подключаются или переключаются (даже в случае незначительных разностей потенциалов), взрывоопасная атмосфера может воспламениться в результате электрических искр и/или вспышек дуги. Более того, к воспламенению может привести нагрев этих токонесущих линий.

Возможны вышеупомянутые риски воспламенения и в случае применения электрохимической катодной защиты методом наведенного тока. Однако, если применяются расходимые аноды, риск воспламенения вследствие электрических искр маловероятен, если только аноды не изготовлены из алюминия или магния.

- *Искры механического происхождения:* Вследствие дисбаланса или повреждения подшипников лопасти вентилятора могут задевать решетки или форсунки или ударяться о них; трение, удары или механический износ могут вести к перегреву или отделению твердых частиц, имеющих высокую температуру, которые могут стать потенциальным источником воспламенения. Убедитесь, что вентиляторы работают без аномальных вибраций или шумов; в случае наличия таковых остановите машину и известите отдел технического обслуживания.

- Некоторые части контура хладагента в агрегате R454B расположены внутри корпуса: потенциально пожароопасная зона может простираться за границы оборудования, особенно если двери или панели агрегата после утечки открыты. Необходимо провести оценку рисков для определения требований к расположению агрегата при установке.
- Монтажная организация должна предоставить надлежащим образом защищенную документацию, которая должна храниться поблизости от места эксплуатации агрегата и быть четкой и удобочитаемой. Как минимум, она должна содержать сведения о риске воспламенения горячего хладагента (см. N 378-2:2016, 6.4.3.3).
- Распределительный ящик спроектирован таким образом, чтобы не допускать образования опасной концентрации хладагента в случае утечки. Не допускается изменение конструкции распределительного ящика путем увеличения числа отверстий или снятия кабельных сальников. Прокладка электрических кабелей должна выполняться в соответствии со следующими правилами: для ввода кабелей необходимо использовать пластину, размер которой соответствует количеству кабелей (см. пример на чертеже ниже). В пластине должны быть просверлены отверстия и установлены кабельные сальники, соответствующие диаметру кабеля для электропитания агрегата.



## 6. ТЕХНИЧЕСКОЕ ОБСЛУЖИВАНИЕ

При работах с контурами хладагента необходимо принимать следующие меры предосторожности:

- Получить разрешение на работы с деталями горячей части (если требуется);
- Обеспечить, чтобы где бы то ни было в зоне работ не хранились горючие материалы и отсутствовали источники воспламенения;
- Обеспечить наличие подходящего оборудования для пожаротушения (углекислотного или порошкового) в непосредственной близости от места работ;
- Обеспечить, чтобы место работ было надлежащим образом проветрено перед началом работ с контуром хладагента или перед сваркой, сваркой пайкой или пайкой. Если необходимо, используйте вспомогательные средства вентиляции, рассчитанные на использование с хладагентом R454B, такие как воздуходувки или вентиляторы, чтобы рассеивать пары хладагента, особенно в замкнутых пространствах. (Данная рекомендация в любом случае относится ко всем хладагентам);
- Обеспечить наличие и работу подходящих детекторов горючих газов для предупреждения работников об опасной концентрации хладагентов, особенно при работах с горячими деталями;
- Обеспечить, чтобы используемое оборудование газообнаружения не вызывало искрообразования, было адекватно герметизировано или было искробезопасным;
- Установить надлежащие предупреждающие знаки, например: «Не курить» и «Не входить в зону работ»;
- Убедиться в наличии всего надлежащего и необходимого инструмента и средств индивидуальной защиты (СИЗ);
- Обеспечить инструктаж всего обслуживающего персонала.

**ПРИМЕЧАНИЕ.** Если установка позволяет, рекомендуется демонтировать оборудование и перенести в контролируемую обстановку цеха, где работы можно выполнять в безопасных условиях.

Перед работами с контурами хладагента необходимо выполнить следующую процедуру:

- Удалить хладагент (уточнить остаточное давление);
  - Продуть контур инертным газом (например, азотом);
  - Выпустить при давлении 30 кПа абс. (или 0,03 МПа);
  - Снова продуть контур инертным газом (например, азотом);
  - Открыть контур.
- Не проводите сваркопайку на трубах и компонентах, содержащих хладагент. Прежде чем открыть контур, хладагент необходимо извлечь или откачать. Для вскрытия трубопроводов используйте только труборезы. Использование открытого пламени запрещается. Перед сваркопайкой убедитесь с помощью детектора хладагента в отсутствии потенциально огнеопасной атмосферы. Воздерживайтесь от использования открытого пламени, пока рабочая зона не будет надлежащим образом проветрена.
  - Если необходимо демонтировать компрессоры или слить компрессорное масло, откачайте хладагент до приемлемого уровня, чтобы обеспечить отсутствие его остатков в смазочном материале.
  - Необходимо использовать только оборудование для сбора хладагента, разработанное для использования с горючими хладагентами. Машины для сбора хладагента HFC могли не проходить оценку на возможность работы с горючими хладагентами. Если государственные нормативы или законы допускают слив хладагента, таковой должен выполняться безопасным образом, например, с помощью шланга для выпуска хладагента в безопасной зоне. Необходимо принять меры, чтобы легковоспламеняющийся взрывоопасный хладагент ни в коем случае не скапливался поблизости от источников воспламенения и не проникал в здания.
  - После любых ремонтных работ необходимо провести проверку средств безопасности, например, детекторов хладагента и механических систем вентиляции, и записать результаты проверки.
  - Необходимо принять меры по замене любых отсутствующих или нечитабельных табличек на компонентах контура хладагента.
  - При поисках утечек хладагента нельзя использовать источники воспламенения.
  - Техобслуживание и ремонт, требующие помощи другого квалифицированного персонала, должны выполняться под надзором лица, обладающего компетенцией в обращении с горючими хладагентами. Любое лицо, выполняющее работы по ремонту или обслуживанию систем или комплектующих оборудования должны располагать компетенцией согласно требованиям стандарта EN 13313.

Лица, выполняющие работы на агрегате, должны располагать компетенцией в аспектах техники безопасности при обращении с горючими хладагентами, подтверждаемой свидетельствами о прохождении соответствующего обучения. Сюда должны включаться следующие требования:

- Знание законодательства, нормативов и стандартов, относящихся к горючим хладагентам;
- Глубокое знание и опыт в обращении с горючими хладагентами, средства индивидуальной защиты, предотвращение утечки хладагента, обращение с баллонами, заправка, обнаружение утечек, откачка и утилизация.



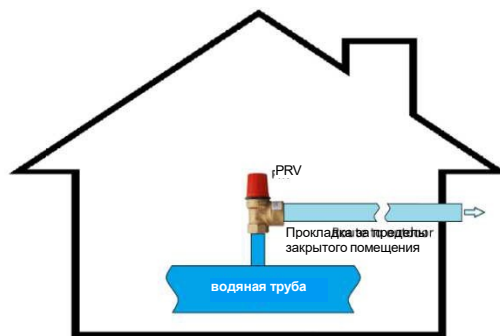
## 7. ГИДРАВЛИЧЕСКИЙ КОНТУР

В случае поломки теплообменник агрегата может выпустить хладагент в водяной контур. Для минимизации выпуска хладагента в помещение через водопровод водяная сторона теплообменника агрегатов MENITS оборудована предохранительным клапаном сброса давления (PRV) для выпуска хладагента в атмосферу. Монтажная организация несет ответственность за проектирование и установку защиты водяного контура (трубопроводов, змеевиков с вентиляторным обдувом, резервуаров и т. д.), учитывая уставку PRV, давление нагнетания насоса, геодезические данные и т. д.

Выпускные соединения PRV должны быть выведены из корпуса агрегата на открытый воздух и в безопасные зоны, вдали от потенциальных источников воспламенения (электрического оборудования, горячих поверхностей, открытого пламени и т. п.).

Обращайте внимание на конструкцию гидравлического водяного контура: она должна предотвращать выпуск хладагента в зоны, обслуживаемые водой/рассолом. Чтобы выполнить это требование, можно рассмотреть следующие моменты:

- Любые расширительные баки/резервуары открытого типа, водяные баки и т. д. должны быть установлены под открытым небом. Если они уже установлены в помещениях, необходимо заменить их герметичными или переставить наружу.



- Предпочтительно избегать установки PRV на гидравлических трубопроводах, расположенных внутри здания; насколько это возможно, лучше установить PRV непосредственно за пределами здания или присоединить к ним трубу, выпускающую хладагент

наружу. Ни в коем случае не допускается наличие точек выпуска хладагента в зонах пребывания людей (разрешены только ручные воздуховыпускные вентили).

При установке внутри помещения необходимо установить заглушку после ввода оборудования в эксплуатацию



- Любые автоматические воздуховыпускные вентили (AAV), установленные в гидравлическом контуре в помещениях, после ввода в эксплуатацию должны быть закрыты крышками.

ГЕРМЕТИЧНЫЙ ТИП  
в закрытом помещении  
или под открытым  
небом



ОТКРЫТЫЙ ТИП  
только под  
открытым небом



- Если вывести эти потенциальные точки выпуска из машинного отделения наружу невозможно, тогда машинное отделение должно отвечать требованиям стандарта EN 378-3:2016, пункт 5 (газообнаружение, системы оповещения, вентиляция и т. д.).
- В случае необходимости ремонта агрегата воду/рассол необходимо проверить на наличие хладагента.

R454B – INSTRUKCJA  
C0211308-06-23-PL

**Instrukcja:**  
**Instalacja, serwis, transport i przechowywanie chłodziarek**  
**źródła powietrza i pomp ciepła z czynnikiem chłodniczym**  
**R454B**

**R R454B**





## 1. INFORMACJE OGÓLNE

Niniejszy dokument należy traktować jako załącznik do głównego podręcznika instalacji. Zawiera on informacje dotyczące bezpieczeństwa urządzeń chłodziarek źródła powietrza i pomp ciepła napełnionych czynnikiem chłodniczym R454B, z odniesieniem do rozporządzeń i dyrektyw europejskich. W każdym przypadku należy przestrzegać ustawodawstwa krajowego i lokalnych przepisów budowlanych każdego z krajów oraz stosować je w sposób priorytetowy.

Jednostki źródła powietrza, których dotyczy niniejszy dokument, to:

- Agregaty chłodnicze,
- Pompy ciepła, a ponadto
- Urządzenia do jednoczesnego i niezależnego wytwarzania ciepłej i zimnej wody napełnione czynnikiem R454B.

Poniższe informacje pomagają instalatorowi w prawidłowej i bezpiecznej pracy, ale nie mogą zastąpić kompleksowej oceny ryzyka związanego z instalacją urządzenia. Przeprowadzenie oceny ryzyka jest konieczne w celu określenia, czy w związku z zagrożeniami zidentyfikowanymi w miejscu instalacji występuje bezpośrednie ryzyko odniesienia obrażeń ciała lub uszkodzenia mienia.

Odbiór, rozruch, obsługa, wycofanie z eksploatacji i inne operacje na urządzeniu są przeprowadzane przez przeszkolony i w pełni wykwalifikowany personel, zgodnie z obowiązującymi lokalnymi normami i kodeksami postępowania.

Butle i urządzenia zawierające czynnik chłodniczy R454B wymagają zgodności z procedurami należytego przechowywania i obsługi zgodnie z normą EN 378-3:2016. Wszystkie osoby pracujące przy układzie chłodniczym muszą posiadać pełną wiedzę na temat palnych czynników chłodniczych i związanych z nimi zagrożeń.

**UWAGA:** dostarczany na żądanie wraz z urządzeniem czujnik wycieku nie może być uważany za urządzenie zabezpieczające. Należy go stosować wyłącznie jako środek kontroli szczelności.

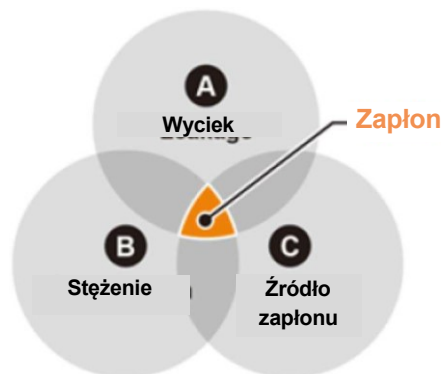


## 2. WŁAŚCIWOŚCI CZYNNIKA CHŁODNICZEGO

Czynnik chłodniczy R454B jest sklasyfikowany jako nieznacznie palny i nietoksyczny (A2L zgodnie z ISO/ASHRAE). Nieznaczna palność oznacza, że istnieje możliwość powolnego spalania czynnika chłodniczego po jednoczesnym zaistnieniu trzech wymienionych poniżej warunków. Jeśli nie zostanie spełniony co najmniej jeden z tych warunków, zagrożenie pożarowe nie będzie występować, a tym samym czynnik będzie można uznać za bezpieczny.

W każdym przypadku większość czynników chłodniczych emituje toksyczny gaz po zetknięciu z odsłoniętym płomieniem.

Żadne palne czynniki chłodnicze (klasa A2L i wyższa) nie zapalają się, jeśli ich stężenie utrzyma się poniżej dolnej granicy palności (LFL).



Ryzyko palności urządzeń MEHITS z czynnikiem chłodniczym R454B jest minimalne, jednak może zaistnieć potrzeba przeprowadzenia analizy ryzyka w zależności od lokalnych przepisów.

Poniżej wymieniono niektóre właściwości czynnika R454B:

Nazwa ASHRAE/ ISO817	R454B
Grupa PED	1
Klasyfikacja bezpieczeństwa ASHRAE	A2L
Potencjał zubożenia ozonu (R11 = 1)	0
AR5 (AR4) GWP (CO2 = 1)	467 (466)
Skład wagowy %	R32 = 68,9 % R1234yf = 31,1 %
Temperatura cieczy nasyconej(1) przy 1 atm	-50,5
Limit praktyczny (kg/m3)	0 039
Niższa z wartości ATEL lub ODL (kg/m3)	0 358
LFL przy 23 °C, 50% wilg. względnej (% v/v)	11,7
LFL (kg/m3)	0 303
UFL przy 23 °C, 50% wilg. względnej (% v/v)	22,0
UFL (kg/m3)	0 569
Gęstość(1) w 21 °C, 1atm (kg/m3)	2,63
Prędkość spalania (cm/s)	5,2
Minimalna energia zapłonu (mJ) (ASTM E582-13)	100 – 300
Masa cząsteczkowa	62,61
Temperatura samozapłonu (°C) (ASTM E659-15)	498
Temperatura zapłonu na gorącej powierzchni (°C) (ASTM D8211-18)	>800



### 3. TRANSPORT URZĄDZEŃ

Jednostki muszą być transportowane w sposób całkowicie zgodny z lokalnym ustawodawstwem. Maksymalna ilość czynnika chłodniczego, która może być transportowana, będzie wynikać z obowiązujących przepisów transportowych.



W przypadku transportu w Europie konieczne jest stosowanie Umowy europejskiej dotyczącej międzynarodowego przewozu drogowego towarów niebezpiecznych (ADR). Porozumienie to zezwala na częściowe zwolnienie, pod warunkiem że całkowita ilość czynnika chłodniczego przewożonego tym samym samochodem ciężarowym nie przekracza 1000 punktów (1 kg A2L odpowiada 3 punktom; 1 kg A1 odpowiada 1 punktowi). Samochód ciężarowy może być załadowany np. w następujący sposób:

- 10 urządzeń z 100 kg czynnika R410 na urządzenie -> Punkty ogółem: 1000
- 10 urządzeń z 33 kg czynnika R454B na urządzenie -> Punkty ogółem: 1000
- 4 urządzenia z 200 kg czynnika R410 na urządzenie + 2 jednostki z 33 kg czynnika R454B na urządzenie -> Punkty ogółem: 1000

Bardzo proste środki zaradcze dotyczące transportu pozwalają na częściowe zwolnienie z ADR, np.

- Gaśnica w samochodzie ciężarowym;
- Nieiskrzący palnik w samochodzie ciężarowym;
- Czerwona etykieta umieszczona na opakowaniu zewnętrznym (już zastosowana przez MEHITS).

**OSTRZEŻENIE:** URZĄDZENIE WYPOSAŻONE JEST W ZAWORY REDUKCYJNE, KTÓRE MOGĄ UWALNIAĆ CZYNNIK CHŁODNICZY, GDY PRODUKT NARAŻONY BĘDZIE NA DZIAŁANIE WYSOKICH TEMPERATUR. **TEMPERATURA TRANSPORTU NIE MOŻE BYĆ WYŻSZA NIŻ 50 °C.**



#### 4. PRZECHOWYWANIE

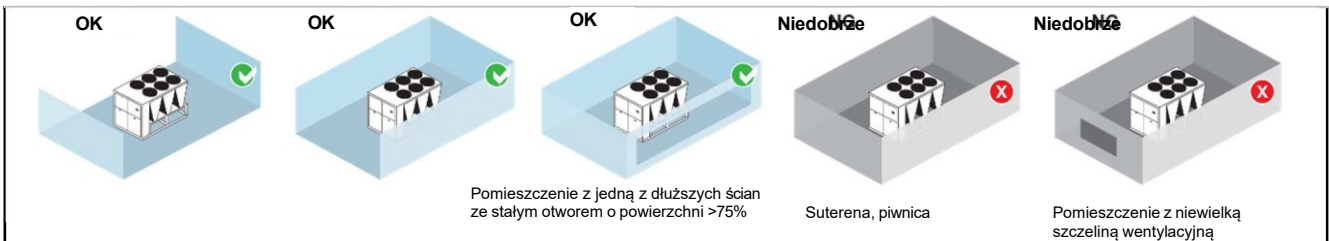
Chłodziarki źródła powietrza i pompy ciepła z czynnikiem chłodniczym R454B muszą być przechowywane poza pomieszczeniami. Przechowywanie musi być zgodne z obowiązującymi przepisami, prawem lokalnym i wymogami przepisów budowlanych:

**OSTRZEŻENIE:** URZĄDZENIE WYPOSAŻONE JEST W ZAWORY REDUKCYJNE, KTÓRE MOGĄ UWALNIAĆ CZYNNIK CHŁODNICZY, GDY PRODUKT NARAŻONY BĘDZIE NA DZIAŁANIE WYSOKICH TEMPERATUR. **TEMPERATURA PRZECHOWYWANIA NIE MOŻE BYĆ WYŻSZA NIŻ 50 °C.**



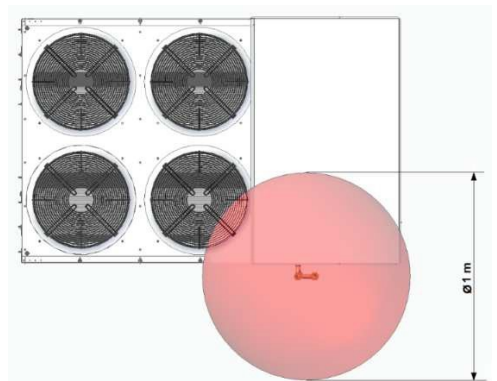
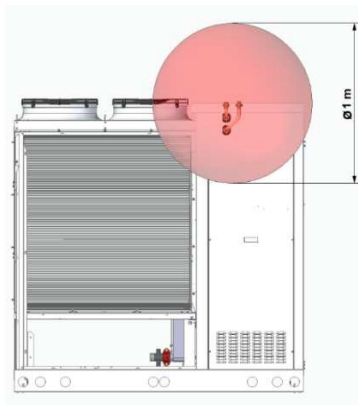
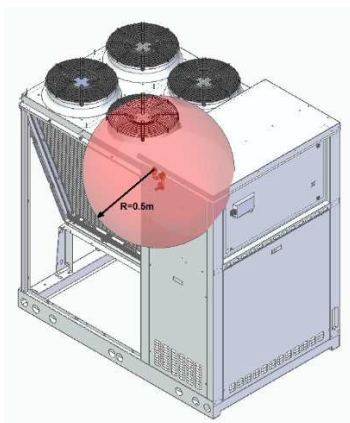
#### 5. INSTALACJA

- Urządzenia źródła powietrza z czynnikiem chłodniczym R454B muszą być zainstalowane poza pomieszczeniami, na wolnym powietrzu, co zapewnia bardzo niskie ryzyko.
- Czynnik chłodniczy jest cięższy od powietrza i może gromadzić się np. poniżej poziomu gruntu lub w pobliżu podłogi, osiągając stężenie powyżej limitu palności. Aby uniknąć zapłonu, należy utrzymywać bezpieczne środowisko pracy poprzez zapewnienie odpowiedniej wentylacji.



- Nie należy instalować jednostek źródła powietrza R454B w suterenie lub piwnicy, chyba że spełniają one wymagania normy EN 378-3:2016 - punkt 5 (wykrywanie gazu, wentylacja, system alarmowy itp.).
- W przypadku urządzeń R454B, w przypadku których czynnik chłodniczy może gromadzić się np. poniżej poziomu gruntu, instalacja musi spełniać wymagania normy EN 378-3:2016 dotyczącej systemów wykrywania gazu, wentylacji i systemów alarmowych.
- Urządzenia R454B zlokalizowane poza pomieszczeniami muszą być umieszczone w taki sposób, aby czynnik chłodniczy nie przedostawał się do budynku ani w inny sposób nie zagrażał ludziom, zwierzętom i mieniu w przypadku wycieku. Czynnik chłodniczy nie powinien mieć możliwości przedostania się przez jakiegokolwiek otwory wentylacyjne, drzwi, klapy lub podobne otwory w przypadku wycieku. W przypadku zapewnienia osłony dla urządzeń chłodniczych znajdujących się poza pomieszczeniami konieczne jest zapewnienie naturalnej lub wymuszonej wentylacji.
- Urządzenie R454B jest wyposażone w pewną liczbę zaworów redukcyjnych (PRV). W przypadku wystąpienia nadciśnienia czynnik chłodniczy może wydostawać się z zaworów redukcyjnych. Połączenie wylotowe zaworów należy prowadzić od obudowy urządzenia w kierunku otwartego powietrza i w strefach bezpiecznych, z dala od podłoża (co najmniej 1 m nad poziomem gruntu i z wylotem skierowanym ku górze, w celu zwiększenia poziomu rozcieńczenia) lub od potencjalnych źródeł zapłonu (urządzenia elektryczne, które mogą tworzyć łuki lub iskrzyć, gorące powierzchnie, płomień itp.). W stosownych przypadkach zastosowanie mają wymogi dotyczące źródeł zapłonu określone w normie EN 378-2:2016, punkt 6.2.14.

Przy zamkniętych odpowietrznikach ciśnieniowych zaworów nadmiarowych (PSV) powstaje strefa bezpieczeństwa o promieniu 0,5 m (co najmniej); w tej objętości należy zapewnić brak płomieni, iskrzy, gorących powierzchni lub innych źródeł potencjalnego zapłonu. Dla jasności sytuację tę przedstawiono na poniższej ilustracji:



Oprócz łuków elektrycznych, iskier, gorących powierzchni, płomieni itp. istnieją inne źródła zapłonu, które muszą zostać wzięte pod uwagę:

- o *Elektryczne prądy błądzące i katodowa ochrona antykorozyjna:* W celu uniknięcia źródła zapłonu należy zachować ostrożność w przypadku instalacji urządzenia NX w pobliżu torów kolejowych, pieców indukcyjnych, dużych instalacji spawalniczych lub innych urządzeń, które mogą indukować prądy błądzące.

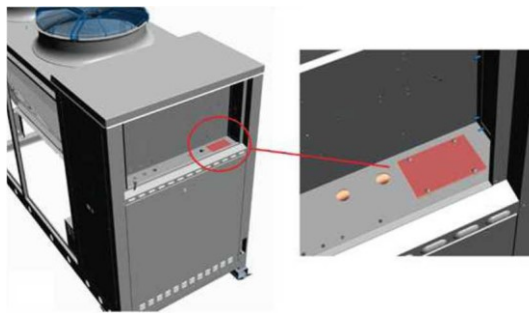
Prądy błądzące mogą przepływać w instalacjach przewodzących prąd elektryczny lub w częściach instalacji:

- jako prądy powrotne w układach wytwarzających energię elektryczną – zwłaszcza w pobliżu kolei elektrycznych i dużych instalacji spawalniczych – gdy np. przewodzące elementy instalacji elektrycznej, takie jak szyny i ułożone pod ziemią powłoki ochronne kabli obniżają rezystancję tej ścieżki prądów powrotnych;
- w wyniku zwarcia, w tym zwarcia z masą, na skutek awarii instalacji elektrycznej;
- w wyniku indukcji magnetycznej (np. w pobliżu instalacji elektrycznych o dużych prądach lub częstotliwościach radiowych).

Jeśli części instalacji zdolne do przenoszenia prądów błądzących są odłączone, połączone lub zmostkowane (nawet w przypadku niewielkich różnic potencjałów), atmosfera wybuchowa może ulec zapłonowi na skutek występowania iskier i/lub łuków elektrycznych. Do zapłonu może ponadto dojść w wyniku nagrzewania się tych ścieżek prądowych.

Wystąpienie wyżej wymienionego ryzyka zapłonu możliwe jest również w przypadku zastosowania katodowej ochrony antykorozyjnej. W przypadku zastosowania anod protektorowych ryzyko zapłonu z powodu iskier elektrycznych jest jednak mało prawdopodobne, chyba że anody takie będą wykonane z aluminium lub magnezu.

- o *Iskry generowane mechanicznie:* Ze względu na niewyważenie lub uszkodzenie łożysk łopatki wentylatora mogą się przemieszczać lub uderzać o kratki i dysze, zaś tarcie lub uderzenia mogą prowadzić do nadmiernego wzrostu temperatury lub oderwania się cząstek stałych w wysokiej temperaturze, co może stanowić potencjalne źródło zapłonu. Należy upewnić się, że wentylatory nie wpadają w nietypowe wibracje ani nie wydają nietypowych odgłosów — w takim przypadku należy zatrzymać maszynę i powiadomić serwis.
- Niektóre części obiegu czynnika chłodniczego R454B urządzenia znajdują się wewnątrz obudowy: strefa potencjalnie łatwopalna może wykraczać poza granice urządzenia, zwłaszcza w przypadku otwierania drzwi/klap lub paneli urządzenia po wystąpieniu nieszczelności. Ocenę ryzyka przeprowadza się w celu określenia wymagań dotyczących lokalizacji urządzenia, która ma zostać zainstalowane.
- Instalator powinien dostarczyć odpowiednio zabezpieczoną dokumentację, którą należy przechowywać w pobliżu miejsca eksploatacji urządzenia, zapewniając jej dobrą czytelność. Powinna ona zawierać co najmniej szczegółowe informacje dotyczące palności palnego czynnika chłodniczego (patrz EN 378-2:2016, punkt 6.4.3.3).
- Skrzynka elektryczna została zaprojektowana z myślą o zapobieżeniu niebezpiecznemu stężeniu czynnika chłodniczego w przypadku wycieku. Nie wolno jej modyfikować poprzez dodawanie otworów lub usunięcie dławików kablowych. Czynniki związane z okablowaniem muszą być zgodne z następującymi zasadami: w celu przeprowadzenia kabli należy użyć dopasowanej do wymiarów odpowiedniej płyty (patrz przykład poniżej), którą należy nawiercić i wyposażyć w dławiki kablowe odpowiednie do średnicy zasilającego urządzenia przewodu.



## 6. SERWISOWANIE

Przed przystąpieniem do pracy z obiegiem czynnika chłodniczego należy podjąć następujące środki ostrożności:

- Uzyskać pozwolenie na pracę na częściach gorących (jeśli jest wymagane);
- Dopilnować, aby w miejscu pracy nie składowano materiałów łatwopalnych i aby nie występowały w nim żadne źródła zapłonu;
- Upewnić się, że w najbliższym otoczeniu dostępny jest odpowiedni sprzęt gaśniczy (na CO<sub>2</sub> lub suchy proszek);
- Przed przystąpieniem do prac na obiegu czynnika chłodniczego lub prac spawalniczych bądź lutowaniczych upewnić się, że miejsce pracy jest właściwie wentylowane. W miarę potrzeb do rozpraszania oparów czynnika chłodniczego należy stosować wentylację pomocniczą przystosowaną do czynnika chłodniczego R454B, np. dmuchawy lub wentylatory — zwłaszcza w pomieszczeniach zamkniętych. (To zalecenie stosuje się, w każdym przypadku, do wszystkich czynników chłodniczych);
- Zapewnić obecność i działanie odpowiednich wykrywaczy gazów palnych w celu ostrzegania pracowników o niebezpiecznym stężeniu czynników chłodniczych, zwłaszcza podczas wszelkich prac przy częściach gorących;
- Upewnić się, że sprzęt używany do wykrywania nieszczelności nie iskrzy, jest odpowiednio uszczelniony lub iskrobezpieczny;
- Rozmieścić odpowiednie znaki, na przykład: „Zakaz palenia” i „Wstęp wzbroniony”;
- Sprawdzić, czy dostępne są wszystkie odpowiednie i niezbędne narzędzia oraz środki ochrony indywidualnej (PPE);
- Upewnić się, że cały personel zajmujący się konserwacją został przeszkolony.

**UWAGA:** Gdy warunki instalacji na to pozwalają, zaleca się usunięcie sprzętu z istniejącego stanowiska do kontrolowanego środowiska warsztatowego, w którym prace mogą być prowadzone w sposób bezpieczny.

Przed przystąpieniem do pracy z obiegiem czynnika chłodniczego konieczne jest wykonanie następującej procedury:

- Usunąć czynnik chłodniczy (określić ciśnienie resztkowe);
- Oczyszczyć obieg gazem obojętnym (np. azotem);
- Odprowadzić pod ciśnieniem bezwzględnym 30 kPa (lub 0,03 MPa);
- Ponownie oczyścić gazem obojętnym (np. azotem);
- Otworzyć obwód.

- Nie lutować rur i elementów zawierających czynnik chłodniczy. Przed otwarciem obiegu czynnik chłodniczy musi zostać odzyskany lub wypompowany. Do otwierania rurociągów należy używać wyłącznie przecinaków do rur, w przeciwieństwie do otwartego płomienia. Przed lutowaniem należy sprawdzić za pomocą wykrywacza czynnika chłodniczego, czy nie występuje atmosfera potencjalnie łatwopalna. Nie używać płomieni, dopóki środowisko pracy nie będzie odpowiednio wentylowane.
- Jeżeli sprężarki lub oleje sprężarkowe mają zostać usunięte, należy usunąć takie oleje do dopuszczalnego poziomu, aby upewnić się, że w smarze nie pozostaje palny czynnik chłodniczy.
- Należy stosować wyłącznie urządzenia do odzyskiwania czynnika chłodniczego przeznaczone do stosowania z łatwopalnymi czynnikami chłodniczymi. Maszyny do odzyskiwania czynnika chłodniczego HFC mogły nie zostać ocenione pod kątem stosowania z łatwopalnymi czynnikami chłodniczymi. Jeżeli krajowe przepisy lub regulacje zezwalają na odprowadzanie czynnika chłodniczego, należy to zrobić w sposób bezpieczny, na przykład odprowadzając czynnik chłodniczy do atmosfery zewnętrznej w strefie bezpiecznej za pomocą węża. Należy zadbać o to, aby w pobliżu źródła zapłonu nie występowało palne stężenie wybuchowego czynnika chłodniczego, ani by nie mógł on przedostać się w takim stężeniu do budynków.
- Po każdej naprawie należy sprawdzić urządzenia zabezpieczające, np. wykrywacze czynnika chłodniczego i systemy wentylacji mechanicznej, a także odnotować wyniki takiej kontroli.
- Należy zapewnić wymianę wszelkich brakujących lub nieczytelnych etykiet na częściach składowych obiegu czynnika chłodniczego.
- Źródła zapłonu nie mogą być wykorzystywane do poszukiwania wycieku czynnika chłodniczego.
- Konserwację i naprawy wymagające pomocy innego wykwalifikowanego personelu należy przeprowadzać pod nadzorem osoby kompetentnej w zakresie stosowania łatwopalnych czynników chłodniczych. Wszystkie osoby zajmujące się serwisowaniem lub konserwacją systemu lub związanych z nim części wyposażenia powinny posiadać odpowiednie kompetencje zgodnie z normą EN 13313.

Osoby pracujące przy urządzeniu muszą posiadać kompetencje w zakresie aspektów bezpieczeństwa związanych z pracą z łatwopalnymi czynnikami chłodniczymi, poparte dowodami odpowiedniego przeszkolenia. Obejmuje to następujące wymagania:

- Znajomość przepisów ustawowych i wykonawczych oraz norm dotyczących łatwopalnych czynników chłodniczych;
- Szczegółowa wiedza i umiejętności w zakresie obchodzenia się z łatwopalnymi czynnikami chłodniczymi, środków ochrony indywidualnej, zapobiegania wyciekom czynnika chłodniczego, obsługą butli, ładowaniem, wykrywaniem wycieków, odzyskiwaniem i usuwaniem.



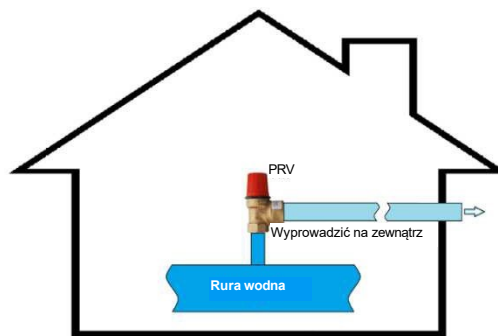
## 7. OBWÓD HYDRAULICZNY

W przypadku pęknięcia wymiennika ciepła urządzenia może dojść do uwolnienia czynnika chłodniczego do obiegu wody. W celu ograniczenia do minimum uwalniania czynnika chłodniczego wewnątrz pomieszczeń poprzez rurociągi wodne stronę wodną wymiennika ciepła urządzeń MEHITS wyposażono w zawór redukcyjny (PRV) służący do uwalniania czynnika chłodniczego do atmosfery. Do obowiązków instalatora należy zaprojektowanie i zabezpieczenie obiegu wody (rurociągi, węzownice wentylatorów, zbiorniki itp.), z uwzględnieniem zaworów redukcyjnych, ciśnienia tłoczenia pompy, danych geodezyjnych itp.

Podłączenie wylotowe zaworu redukcyjnego powinno zostać poprowadzone od obudowy urządzenia na zewnątrz i w strefach bezpiecznych, z dala od potencjalnych źródeł zapłonu (urządzenia elektryczne, gorące powierzchnie, płomień itp.).

Należy zwrócić uwagę na konstrukcję hydraulicznego obiegu wody: musi on zostać zaprojektowany tak, by zapobiegać uwalnianiu czynnika chłodniczego do obszarów, do których doprowadzana jest woda/czynnik pośredniczący. Za zgodne z tym wymogiem można uznać następujące warunki:

- Wszelkie otwarte naczynia/zbiorniki wzbiorcze muszą być instalowane na zewnątrz. Jeśli są już zainstalowane w pomieszczeniu, należy je zastąpić naczyniami hermetycznymi lub przenieść z pomieszczenia na zewnątrz.



- Zaleca się unikanie instalacji zaworów redukcyjnych na rurach hydraulicznych znajdujących się wewnątrz budynku; tam, gdzie to możliwe, lepiej jest zainstalować zawory redukcyjne bezpośrednio na zewnątrz budynku lub podłączać je do rury uwalniającej czynnik chłodniczy na zewnątrz. Punktów uwalniania czynnika chłodniczego w żadnym wypadku wolno umieszczać w pomieszczeniach, w których przebywają ludzie (dozwolone są tylko ręczne odpowietrzniki).

Jeśli zostaną one zainstalowane wewnątrz budynku, to po odbiorze muszą one zostać zaślepione.



- Wszelkie odpowietzniki automatyczne (AAV) zainstalowane na wewnętrznym obwodzie hydraulicznym powinny zostać zamknięte po odbiorze.

TYP HERMETYCZNY  
Wewnątrz lub na  
zewnątrz



TYP  
OTWARTY  
Tylko na  
zewnątrz



- Jeżeli nie jest możliwe przeniesienie tych potencjalnych miejsc uwolnienia z maszynowni na zewnątrz, maszynownia musi być zgodna z wymaganiami normy EN 378-3:2016, punkt 5 (wykrywanie gazu, alarmy, wentylacja itp.).
- W przypadku konieczności naprawy urządzenia należy sprawdzić, czy woda/czynnik pośredniczący nie zawiera czynnika chłodniczego.

PRIRUČNIK R454B  
C0211308-06-23-HR

**Priručnik:**  
**Postavljanje, servisiranje, transport i skladištenje**  
**rashladnih uređaja na zrak i toplinskih pumpi rashladnim**  
**sredstvom R454B**

**R R454B**





## 1. OPĆI PODATCI

Ovaj se dokument smatra dodatkom glavnom priručniku za postavljanje; sadrži informacije vezane uz sigurnost jedinica rashladnih uređaja na zrak i toplinskih pumpi napunjenih rashladnim sredstvom R-R454B s uputom na europske uredbe i direktive. Prioritet je uvijek poštovati i primjenjivati, u svakom slučaju, nacionalne zakone i lokalne građevinske propise svake države.

Jedinice na zrak koje se obuhvaćaju ovim dokumentom su:

- rashladni uređaji
- toplinske pumpe
- jedinice za istovremenu i samostalnu proizvodnju tople i hladne vode, napunjene rashladnim sredstvom R454B.

Sljedećim informacijama pomaže se instalateru u sigurnom i ispravnom radu, no njima se ne može zamijeniti sveobuhvatna procjena rizika za postavljanje jedinice. Procjena rizika potrebna je kako bi se utvrdilo postoji li izravan rizik od ozljede ili oštećenja imovine, vezano uz ustanovljene opasnosti na lokaciji postavljanja.

Puštanje u pogon, pokretanje, servisiranje, stavljanje izvan pogona i druge radnje na jedinici izvršava obučeno i u potpunosti kvalificirano osoblje, u skladu s primjenjivim lokalnim normama i kodeksima prakse.

Za cilindre i opremu koji sadrže rashladno sredstvo R454B potrebna je usklađenost s ispravnim postupcima za skladištenje i rukovanje u skladu s normom EN 378-3:2016. Svaka osoba koja rukuje rashladnim krugom mora biti u potpunosti informirana o zapaljivim rashladnim sredstvima i povezanim rizicima.

NAPOMENA: detektor curenja koji se na zahtjev isporučuje s jedinicom ne može se smatrati sigurnosnim uređajem. Može se upotrebljavati isključivo kao sredstvo za ispitivanje curenja.

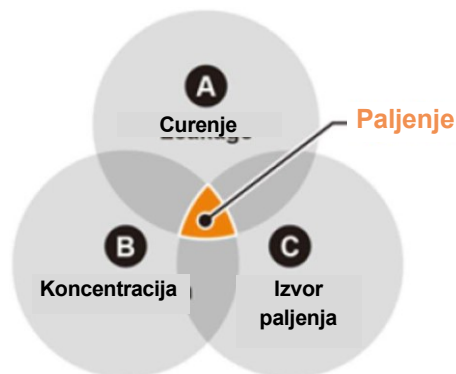


## 2. SVOJSTVA RASHLADNOG SREDSTVA

Rashladno sredstvo R454B klasificira se kao blago zapaljivo i neotrovno (A2L u skladu s normom ISO/ASHRAE). Blago zapaljivo podrazumijeva da, pod tri uvjeta prikazana ispod, postoji mogućnost da bi rashladno sredstvo moglo polagano gorjeti. Uklanjanjem jednog od tri uvjeta ne stvara se opasnost za nastanak požara te se može, stoga, smatrati sigurnim.

U svakom slučaju, većinom rashladnih sredstava ispušta se otrovan plin kada dođu u doticaj s golim plamenom.

Nijedno zapaljivo rashladno sredstvo (klasa A2L i iznad) neće se zapaliti ako razina koncentracije ostane ispod donje granice zapaljivosti (LFL).



Rizik je od zapaljivosti jedinica MEHITS s rashladnim sredstvom R454B minimalan, no možda se bude trebala potrebno provesti analiza rizika mjesta ovisno o lokalnim propisima.

Neka svojstva rashladnog sredstva R454B navedena su ispod:

<b>Naziv ASHRAE/ISO817</b>	R454B
Grupa PED	1
Sigurnosna klasifikacija ASHRAE	A2L
Potencijal oštećenja ozona (R11 = 1)	0
AR5 (AR4) GWP (CO2 = 1)	467 (466)
Sastav Wt %	R32 = 68,9 % R1234yf = 31,1 %
Temperatura zasićene tekućine(1) @ 1 atm	-50,5
Praktično ograničenje (kg/m3)	0,039
Niže od ATEL-a ili ODL-a (kg/m3)	0,358
LFL pri 23 °C, 50 % RV-a (% v/v)	11,7
LFL (kg/m3)	0,303
UFL pri 23 °C, 50 % RV-a (% v/v)	22,0
UFL (kg/m3)	0,569
Gustoća(1) pri 21 °C, 1 atm (kg/m3)	2,63
Brzina gorenja (cm/s)	5,2
Minimalna energija paljenja (mJ) (ASTM E582-13)	100 – 300
Molekularna masa	62,61
Temperatura samopaljenja (°C) (ASTM E659-15)	498
Temperatura paljenja vruće površine (°C) (ASTM D8211-18)	>800



### 3. TRANSPORT JEDINICA

Transport jedinica mora se provesti u postupnosti u skladu s lokalnim zakonodavstvom. Maksimalna količina rashladnog sredstva koja se može transportirati određuje se pomoću primjenjivih propisa vezanih uz transport.



Za transport na teritoriju Europe, potrebno je primijeniti Europski sporazum o međunarodnom prijevozu opasnih tvari unutarnjim cestovnim putem (ADR). Ovom se uredbom omogućuje djelomično izuzimanje, pod uvjetom da se ukupnom količinom rashladnog sredstva na istom kamionu ne premašuje 1000 bodova (1 kg A2L odgovara tri boda; 1 kg A1 odgovara jednom bodu). Na primjer, kamion je moguće napuniti na sljedeći način:

- 10 jedinica sa 100 kg rashladnog sredstva R410 po jedinici -> Ukupan broj bodova: 1000
- 10 jedinica s 33 kg rashladnog sredstva R454B po jedinici -> Ukupan broj bodova: 1000
- 4 jedinice s 200 kg rashladnog sredstva R410 po jedinici + Dvije jedinice s 33 kg rashladnog sredstva R454B po jedinici -> Ukupan broj bodova: 1000

Djelomično se izuzimanje iz ADR-a omogućava primjenom vrlo jednostavnih protumjera za transport, npr.

- Aparat za gašenje požara u kamionu
- Neiskreća svjetiljka u kamionu
- Crvena naljepnica na vanjskom pakovanju (već primjenjuje MEHITS)

**UPOZORENJE:** JEDINICA JE OPREMLJENA VENTILIMA ZA OGRANIČAVANJE TLAKA KOJIMA SE MOŽE OSLOBODITI RASHLADNO SREDSTVO AKO SE UREĐAJ IZLOŽI VISOKIM TEMPERATURAMA. **TEMPERATURA TRANSPORTA NE SMIJE BITI VEĆA OD 50 °C.**



#### 4. SKLADIŠTENJE

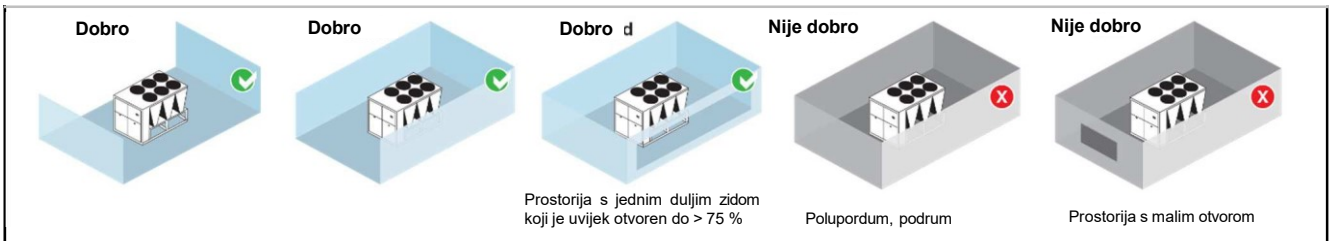
Rashladni uređaji na zrak i toplinske pumpe s rashladnim sredstvom R454B trebaju se skladištiti na otvorenom. Skladištenje mora biti u skladu s mjerodavnim propisima, lokalnim zakonima i zahtjevima građevinskih propisa:

**UPOZORENJE:** JEDINICA JE OPREMLJENA VENTILIMA ZA OGRANIČAVANJE TLAKA KOJIMA SE MOŽE OSLOBODITI RASHLADNO SREDSTVO AKO SE UREĐAJ IZLOŽI VISOKIM TEMPERATURAMA. **TEMPERATURA SKLADIŠTENJA NE SMIJE BITI VEĆA OD 50 °C.**

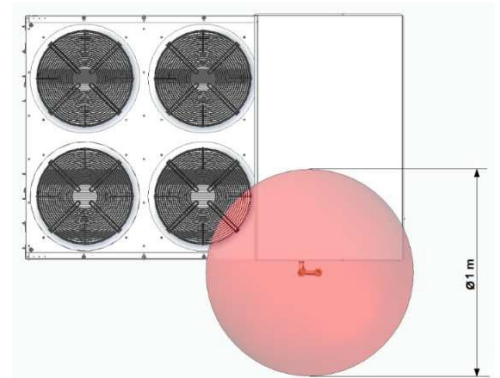
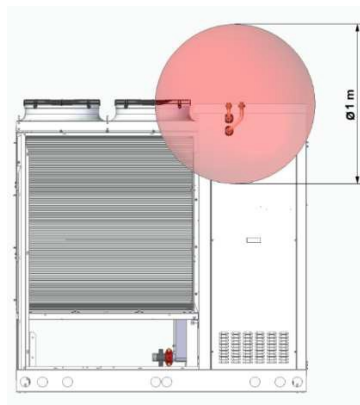
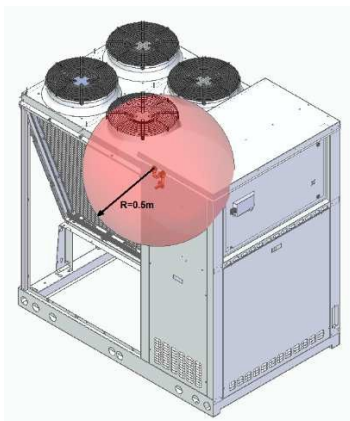


#### 5. POSTAVLJANJE

- Jedinice na zrak s rashladnim sredstvom R454B trebaju se postaviti vani, na otvorenom zraku kako bi se jamčio iznimno nizak rizik.
- Rashladno sredstvo je teže od zraka i može stagnirati, npr. ispod tla ili u blizini poda, te može dosegnuti koncentraciju zapaljivosti. Kako biste spriječili zapaljenje, osigurajte prikladnu ventilaciju radnog prostora kako biste ga održali sigurnim.



- Ne postavljajte jedinice R454B u polupodrum, ili podrum, osim ako ne udovoljavaju normi EN 378-3:2016 – uvjetima propisanim odjelj.5 (otkrivanje plina, prozračivanje, sustavi za upozoravanje, itd.).
- Za jedinice R454B u kojima oslobađanje rashladnog sredstva može stagnirati npr. ispod tla, postavljanjem se moraju ispunjavati zahtjevi navedeni u normi EN 378-3:2016 vezani uz otkrivanje plina, ventilaciju i sustave alarma.
- Jedinice R454B koje se nalaze vani, moraju se smjestiti tako da rashladno sredstvo ne teče prema unutrašnjosti zgrade ili da se njime na neki drugi način ne ugrožavaju ljudi, životinje i imovina, u slučaju curenja. Ne bi trebao biti moguć ulazak rashladnog sredstva kroz ventilacijske otvore, vrata, vrata u podu ili slične otvore u slučaju curenja. Kada je omogućeno sklonište za rashladnu opremu koja se nalazi vani, mora postojati prirodna ili prisilna ventilacija.
- Jedinica R454B opremljena je sigurnosnim ventilima za ograničenje tlaka (PRV). Rashladno sredstvo može osloboditi iz PRV-ova u slučaju pojave pretlaka. Izlazni priključak ventila postavlja se od kućišta jedinice do otvorenog prostora i u sigurnim zonama, dalje od tla (barem 1 m iznad razine tla s ispuustom okrenutim prema gore, kako bi se povećalo razrjeđivanje) ili potencijalnih izvora paljenja (električna oprema koja može iskriti, vruće površine, plamenovi, itd.). Zahtjevi vezani uz izvore paljenja navedeni u normi EN 378-2:2016, 6.2.14 primjenjuju se kada je to primjereno.  
U blizini otvora tlačno potpomognute ventilacije (PSV-a) nastaje sigurnosna zona u radijusu od (barem) 0,5 m; unutar ovog područja potrebno je pobrinuti se da ne dođe do plamena, iskrenja, uvođenja vrućih površina ni drugih mogućih izvora zapaljenja. Za detaljnije objašnjenje, vidi sliku u nastavku:



Uz električni lúk, iskrenje, vruće površine, plamen itd., postoje i drugi izvori zapaljenja koje je potrebno uzeti u obzir:

- o **Zaštita od lutajućih struja i katodne korozije:** Kako bi se izbjegao dodir s izvorima zapaljenja, budite oprezni kada je jedinica NX postavljena u blizini tračnica, elektromagnetskih indukcijskih pećnica, velikih sustava za zavarivanje ili drugih uređaja kojima se mogu inducirati lutajuće struje.

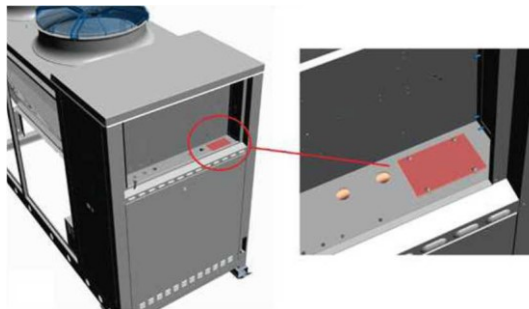
Lutajuće struje mogu protjecati u sustavima koji provode električnu struju, ili dijelovima sustava, kao:

- povratne struje u sustavima za proizvodnju električne energije – posebice u blizini električnih tračnica i velikih sustava za zavarivanje – kada, primjerice, sastavnice vodljivog električnog sustava, poput tračnica i plašteva kabela postavljenih u tlu smanjuju otpor voda povratne struje;
- rezultat kratkog spoja ili kratkog spoja uzemljenja uslijed kvarova električnih instalacija;
- rezultat magnetske indukcije (npr. električne instalacije u blizini, u kojih je jaka struja ili radiofrekvencija)

Ako se dijelovi sustava kojima se mogu prenositi lutajuće struje iskopčaju, prikopčaju ili premoste (čak i u slučaju malih razlika potencijala), eksplozivna atmosfera može se zapaliti kao rezultat električnih iskri i/ili lukova. Stoviše, do zapaljenja može doći i uslijed zagrijavanja ovih strujnih vodova.

Kada se upotrebljava sustav katodne zaštite s narinutom strujom, mogući su i gore navedeni rizici od zapaljenja. Međutim, ako se upotrebljavaju žrtvene anode, nema vjerojatnih rizika od zapaljenja uslijed električnog iskrenja osim ako anode nisu načinjene od aluminije ili magnezija.

- o **Mehaničko izazvano iskrenje:** Uslijed neuravnoteženosti ili oštećenja ležajeva, krila ventilatora mogu grebati ili udarati o rešetke ili mlaznice; trenjem, udarom ili abrazijom može se prouzrokovati pregrijavanje ili odvajanje krutih čestica pri visokoj temperaturi, što može predstavljati mogući izvor zapaljenja. Pobrinite se da se u ventilatora ne pojavljuju abnormalne vibracije ili buka; u tom slučaju, zaustavite stroj i o tomu obavijestite odjel za servisiranje.
- Jedinica se R454B isporučuje se s nekim dijelovima rashladnog kruga unutar kucišta: potencijalno zapaljiva zona može se proširiti izvan granica opreme, posebice kada se otvore vrata ili ploče jedinice nakon curenja. Potrebno je provesti procjenu rizika kako bi se odredili lokacijski zahtjevi za jedinicu koja se postavlja.
- Instalater će omogućiti prikladno zaštićenu dokumentaciju koja je jasno čitljiva, a koju je potrebno pohraniti u blizini mjesta rada jedinice. Sadržavat će, minimalno, pojedinosti o zapaljivosti zapaljivog rashladnog sredstva (pogledajte normu EN 378-2:2016, 6.4.3.3).
- Električna kutija dizajnirana je za sprečavanje bilo kakve opasne koncentracije rashladnog sredstva ako nastane curenje. Ne smije se preinačiti dodavanjem rupa ili uklanjanjem uvodnica za kabel. Postupci ožičenja moraju biti u skladu sa sljedećim pravilima: za prolaz kablova koristite se odgovarajućom pločicom (pogledajte primjerak crteža u nastavu) koja se mora izbušiti i opremiti kabelskim uvodnicama pogodnim za promjer napojnih kabela jedinica.



## 6. SERVIS

Potrebno je poduzeti sljedeće mjere predostrožnosti prije rada na rashladnog krugu:

- Dobiti dozvolu za rad na vrućim dijelovima (ako je potrebno);
- Osigurati da na radnom području nema zapaljivih materijala kao ni izvora paljenja;
- Osigurati da je odgovarajuća oprema za gašenje požara (vrsta s CO2 ili vrsta sa suhim prahom) dostupna u obližnjem području;
- Osigurati da je radno područje ispravno provjetreno prije rada na rashladnom krugu ili prije zavarivanja, tvrdog lemljenja ili mekog lemljenja. Upotrijebite dodatnu ventilaciju, označenu za rashladno sredstvo R454B, kao što su puhalice ili ventilatori, po potrebi, za raspršivanje para rashladnog sredstva, osobito u zatvorenim prostorima. (Ova se preporuka odnosi na, u svakom slučaju, sva rashladna sredstva);
- Provjerite jesu li prisutni prikladni detektori zapaljivih plinova i rade li u svrhu upozoravanja radnika o opasnim koncentracijama rashladnih sredstava, naročito tijekom rada na vrućim dijelovima;
- Provjerite iskri li oprema za detekciju curenja koja se upotrebljava i je li ispravno zatvorena i samosigurna;
- Postaviti prikladne znakove, kao na primjer: znakovi „zabranjeno pušenje“ i „zabranjen ulaz“;
- Provjerite jesu li dostupni svi prikladni i potrebni alati, kao i osobna zaštitna oprema (PPE);
- Provjerite je li čitavo osoblje za održavanje dobilo upute.

**NAPOMENA:** Kada se to postavljanjem omogućuje, preporučuje se ukloniti opremu od postojećeg položaja u kontrolirano okruženje radionice, gdje se postupak može provesti na siguran način.

Potrebno je pridržavati se sljedećeg postupka prije rada na rashladnom krugu:

- Uklonite rashladno sredstvo (odredite zaostali tlak);
- Očistite krug inertnim plinom (npr. dušikom);
- Evakuirajte pri apsolutnom tlaku od 30 kPa (ili 0,03 MPa);
- Ponovno očistite inertnim plinom (npr. dušikom);

- Otvorite krug.
- Ne provodite tvrdo lemljenje na cijevima i komponentama koje sadrže rashladno sredstvo. Prije otvaranja kruga, potrebno je prikupiti ili isprazniti rashladno sredstvo. Za otvaranje cjevovoda, upotrebljavajte isključivo rezače cijevi, a ne otvoreni plamen. Prije tvrdog lemljenja, provjerite putem detektora rashladnog sredstva je li prisutna potencijalno zapaljiva atmosfera. Izbjegavajte uporabu plamenova dok se radno okruženje prikladno ne provjetri.
- Ako je potrebno ukloniti kompresore ili ulja kompresora, evakuirajte do prihvatljive razine kako biste bili sigurni da nema zaostalog zapaljivog rashladnog sredstva unutar maziva.
- Može se upotrijebiti isključivo oprema za prikupljanje rashladnog sredstva koja je namijenjena za uporabu sa zapaljivim rashladnim sredstvima. Uređaji za prikupljanje rashladnih sredstava HFC možda nisu analizirani za uporabu sa zapaljivim rashladnim sredstvima. Ako se nacionalnim pravilima ili propisima dopušta isušivanje rashladnog sredstva, treba se provesti na siguran način, uz pomoć crijeva, primjerice, za ispuštanje rashladnog sredstva u vanjsku atmosferu na sigurnom području. Potrebno je osigurati da, pod nikakvim okolnostima, zapaljiva, eksplozivna koncentracija rashladnog sredstva ne može nastati u blizini izvora paljenja ili dospjeti unutar zgrade.
- Nakon bilo kakvog popravljivanja, sigurnosne uređaje, npr. detektore rashladnog sredstva i sustave mehaničke ventilacije, potrebno je provjeriti i zabilježiti rezultate.
- Potrebno je osigurati da se zamijene naljepnice koje nedostaju ili nečitljive naljepnice na komponentama rashladnog kruga.
- Ne upotrebljavati izvore paljenja pri traganju za mjestom curenja rashladnog sredstva.
- Održavanje i popravak za koje je potrebna pomoć drugog stručnog osoblja izvršava se pod nadzorom osobe koja je kompetentna u uporabi zapaljivih rashladnih sredstava. Sve osobe koje provode servisiranje ili održavanje na sustavu ili povezanim dijelovima opreme, moraju biti osposobljene u skladu s normom EN 13313.

Osobe koje rade na jedinici moraju imati kompetencije u sigurnosnim aspektima rukovanja zapaljivim rashladnim sredstvima koje su potkrijepljene odgovarajućom obukom. Tim se podrazumijevaju sljedeći uvjeti:

- Poznavanje zakonodavstva, uredbi i normi koje su vezani uz zapaljiva rashladna sredstva;
- Detaljno znanje i vještine o rukovanju zapaljivim rashladnim sredstvima, osobnoj zaštitnoj opremi, prevenciji curenja rashladnog sredstva, rukovanju cilindrima, punjenju, detekciji curenja, prikupljanju i odlaganju.



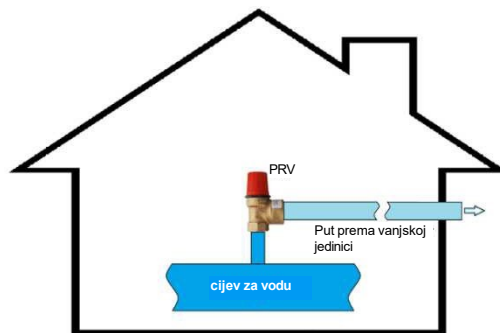
## 7. HIDRAULIČNI KRUG

Izmjenjivačem topline jedinice, u slučaju lomljenja, može se osloboditi rashladno sredstvo u krug vode. Za smanjivanje oslobađanja rashladnog sredstva u zatvorenim prostorima putem cjevovoda vode, vodena strana izmjenjivača topline jedinica MEHITS opremljena je sigurnosnim ventilom za ograničenje tlaka (PRV) radi oslobađanja rashladnog sredstva u atmosferu. Instalater je odgovoran za osmišljavanje i zaštitu kruga vode (cjevovod, ventilatorski konvektori, spremnici, itd.), uzimajući u obzir i postavljeni PRV, tlak glave crpke, geodetsku kvotu, itd.

Izlazni priključak PRV-a postavlja se od kućišta jedinice do otvorenog prostora i u sigurne zone, podalje od potencijalnih izvora paljenja (električna oprema, vruće površine, plamenovi, itd.).

Obratite pažnju na dizajn hidrauličkog kruga vode, koji mora biti osmišljen tako da se spriječi oslobađanje rashladnog sredstva u područja koja se opskrbljuju vodom/rasolinom. Potrebno je uzeti u obzir sljedeće kako biste ispunili ovaj zahtjev:

- Svi ekspanzijski spremnici otvorene vrste i slični moraju se postaviti vani. Ako se već postavljene u zatvorenom prostoru, potrebno ih je zamijeniti spremnicima hermetičke vrste ili ih premjestiti u otvoreni prostor.



- Preporučuje se ne postavljati PRV-ove na hidrauličke cijevi koje se nalaze unutar zgrade; gdje je to moguće, bolje je postaviti PRV-ove točno izvan zgrade ili ih spojiti na cijev kojom se rashladno sredstvo oslobađa prema vani. Točke oslobađanja rashladnog sredstva nisu, pod nikakvim okolnostima, dopuštene u zauzetim prostorima (samo su dopušteni ručni ispusni zračni otvori).

Ako se postavi unutra,  
mora se zatvoriti nakon  
puštanja u pogon



- Svi automatski odzračni ventili (AAV-ovi) koji su postavljeni na unutrašnjem hidrauličkom krugu zatvaraju se nakon puštanja u pogon.

HERMETIČKE  
VRSTE  
unutarnji ili vanjski



OTVORENI TIP  
samo vanjski



- Ako nije moguće prebaciti ove točke potencijalnog oslobađanja iz strojarnice u vanjski prostor, tada se uvjetima u strojarnici moraju ispunjavati zahtjevi norme EN 378-3:2016, klauzula 5. (detekcija plina, alarmi, ventilacija, itd.).
- Ako je potreban popravak jedinice, nužno je provjeriti je li prisutno rashladno sredstvo u vodi/rasolini.

## **MITSUBISHI ELECTRIC HYDRONICS & IT COOLING SYSTEMS S.p.A.**

Via Caduti di Cefalonia, 1 • 36061 Bassano del Grappa (VI) • Italy  
Ph. (+39) 0424 509500  
[www.melcohit.com](http://www.melcohit.com)

---