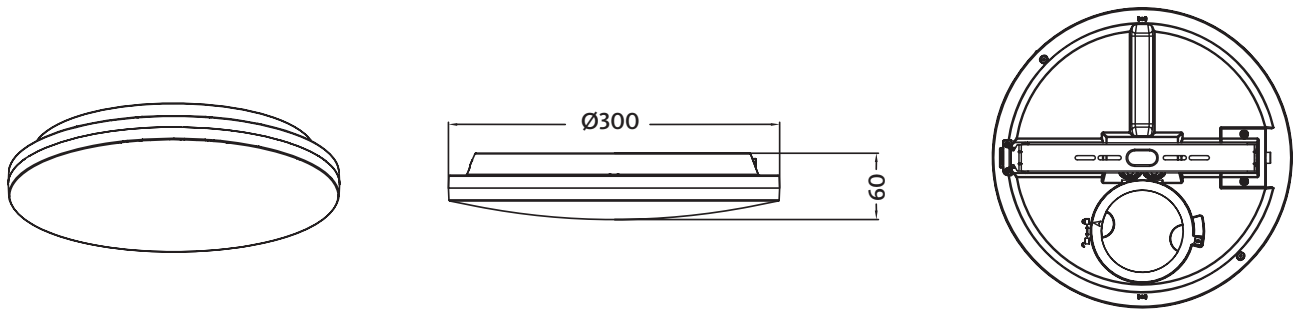
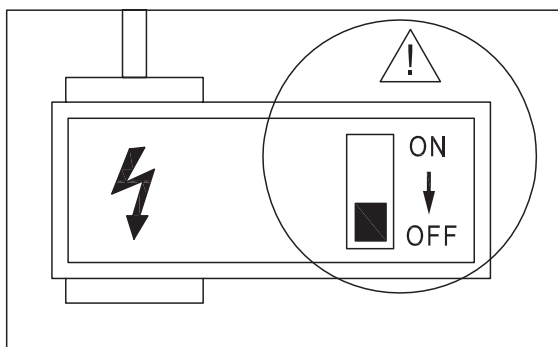


Annero

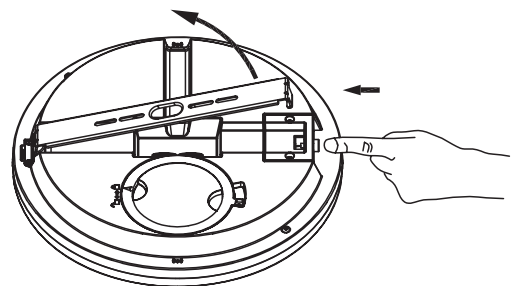
Installation manual – on/off 465325 & 465326



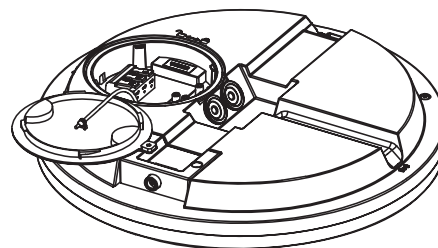
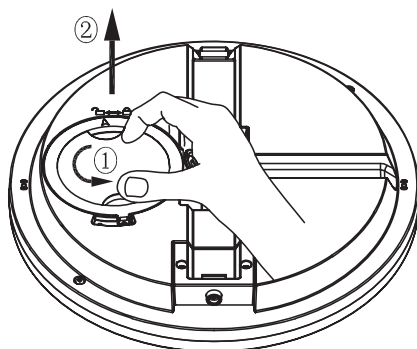
- 1** Make sure main power is turned off.



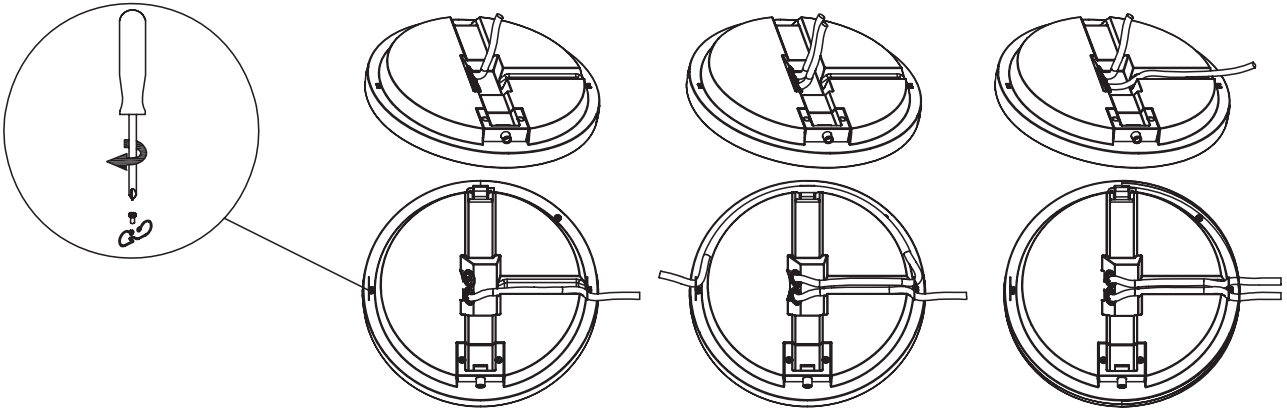
- 2** Remove the bracket.



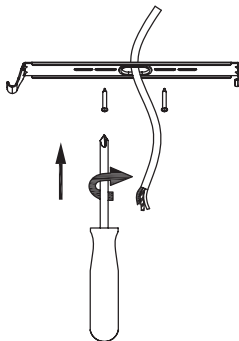
- 3** Twist the power cover of the anticlockwise and pull to remove it.



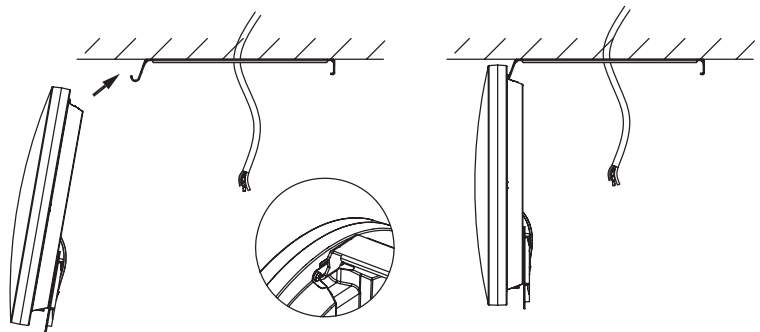
4 Several and flexible placement of AC cable entry.



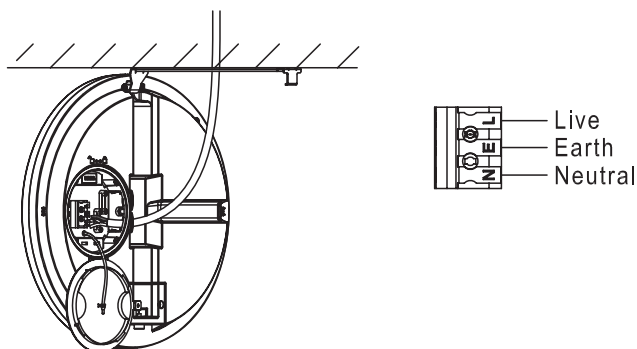
5 Secure the bracket to the ceiling.

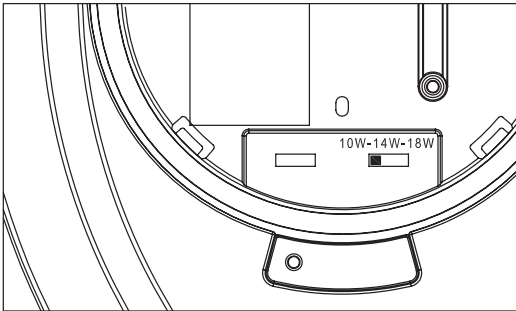


6 Hang the fixture on the bracket.



7 Connect the AC mains switched live, permanent live and neutral to the terminal block.

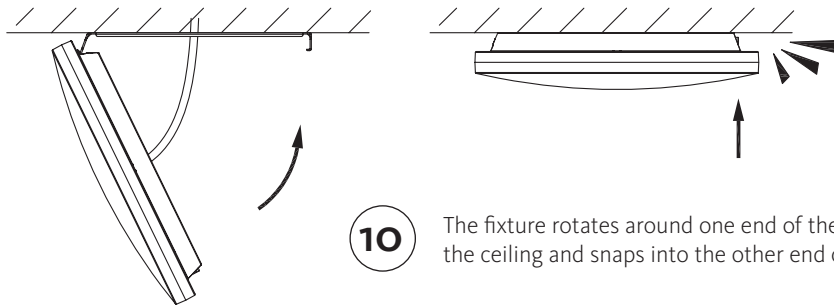
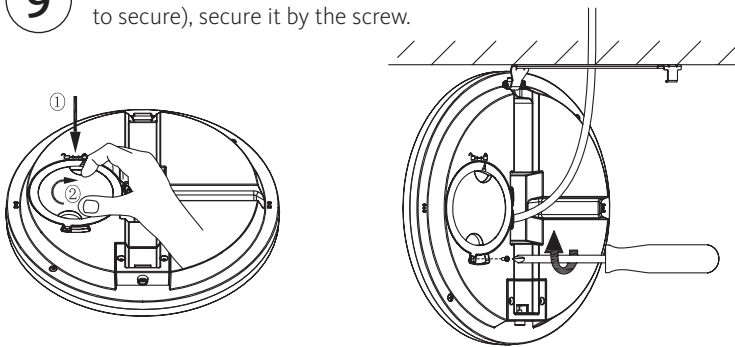




8 Wattage Selection: Slide the switch to the selected wattage. The sequence is as below.

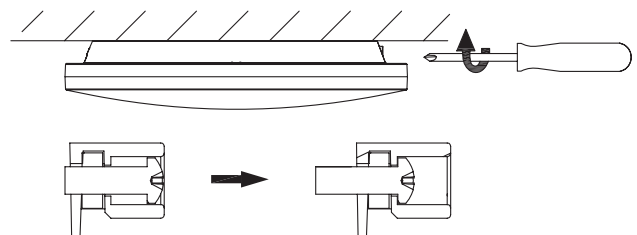


9 Refit the power cover (twist clockwise to secure), secure it by the screw.



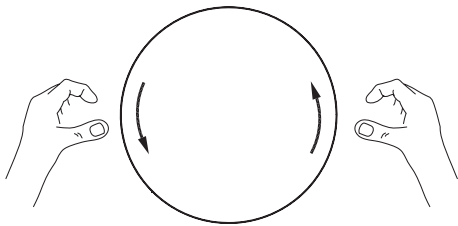
10 The fixture rotates around one end of the bracket to the ceiling and snaps into the other end of the bracket.

11 Secure the locking screw.

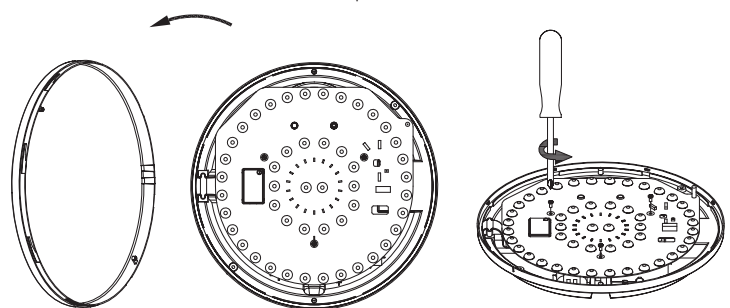


Replacement of the light source PCB

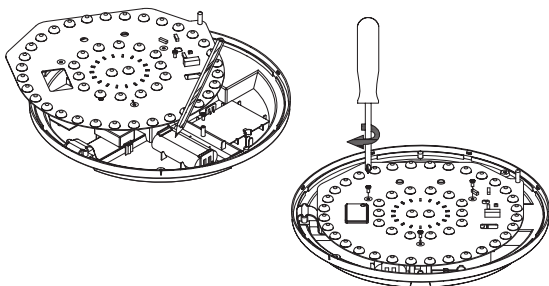
1 Twist the cover of the anticlockwise and pull to remove it.



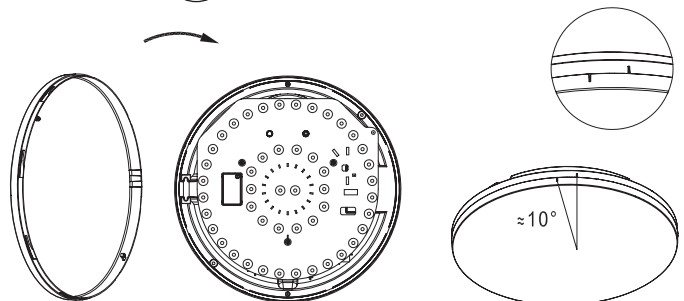
2 Loosen the screws retaining the light source PCB and pull it to remove.



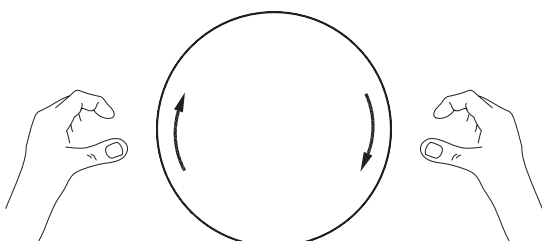
3 Fill in the battery installation date, put the light source PCB into original position and secure the screws.



4 Refit the cover (twist clockwise to secure).



5 Twist the cover to align the protrusions of the cover and the housing.



6 Secure screws and O-ring.

