

Rocca

SMART TOILET
AVANT

MANUAL DE RECAMBIOS
Spare parts manual

2025/10/03

c

AY0035200R

ÍNDICE

| | |
|---|---|
| MODELOS <i>Models</i> | 3 |
| MODELO DE PIE <i>Foorstanding model</i> | 4 |
| MODELO SUSPENDIDO <i>Wall-hang model</i> | 5 |
| ASIENTO Y TAPA <i>Seat & cover</i> | 6 |
| CONTROL DE MODIFICACIONES <i>Version control</i> | 7 |



| AVANT DE PIE <i>Floorstanding</i> | | |
|--------------------------------------|---|-----------------|
| A80336MS0W | alimentación interna <i>internal inlet</i> | |
| A80336MS0H | alimentación externa <i>external inlet</i> | |
| A80336MS00 | alimentación interna <i>internal inlet</i> | <i>Electric</i> |
| A80336MS01 | alimentación externa <i>external inlet</i> | <i>Electric</i> |

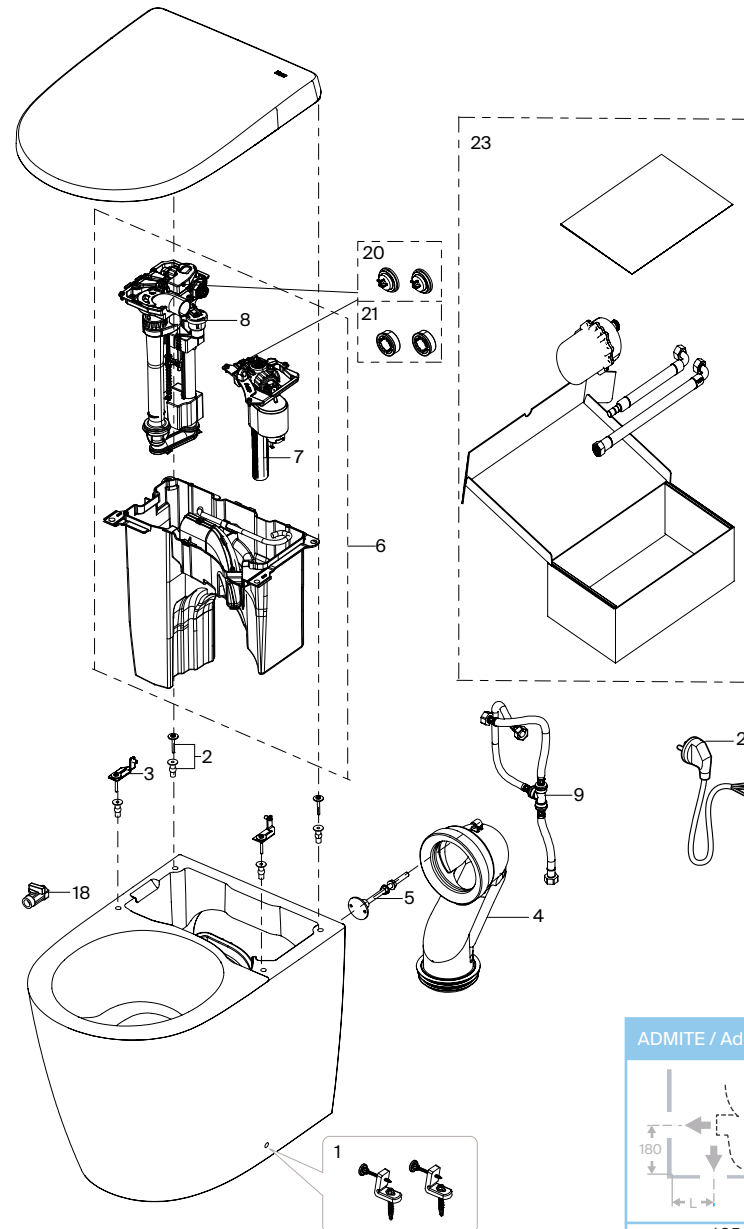
| AVANT SUSPENDIDO <i>Wall-hung</i> | |
|---|-----------------|
| A80336NS0H | |
| A80336NS01 | <i>Electric</i> |

SMART TOILET AVANT

MODELO DE PIE
Floorstanding model

Roca
Corporate
After Sales

| AVANT DE PIE Floorstanding | | |
|----------------------------------|--|----------|
| A80336MSOW | alimentación interna internal inlet | |
| A80336MSOH | alimentación externa external inlet | |
| A80336MS00 | alimentación interna internal inlet | Electric |
| A80336MS01 | alimentación externa external inlet | Electric |



| | | |
|----|------|---------------------|
| 1 | | AV0026800R |
| 2 | 4 un | AV0063800R |
| 3 | 2 un | |
| 4 | | AV0007900R |
| 5 | | AV0013100R |
| 6 | | AV0063900R |
| 7 | | AT0046400R Electric |
| 8 | | AV0064100R |
| 9 | | AT0041800R Electric |
| 18 | | AV0065100R |
| 20 | 2 un | AV0065000R |
| 21 | 2 un | AV0065300R |
| 23 | | AV0065400R |
| 25 | | AV0069900R |
| 26 | | AV0009300R |
| 27 | | AV0070400R Included |

2025/10/03

C

AY0035200R

| ADMITE / Admits | | | | |
|-----------------|---------|-------|--------|--|
| | | | | |
| L= 125mm | 140 Max | 120mm | 210 mm | |

SMART TOILET AVANT

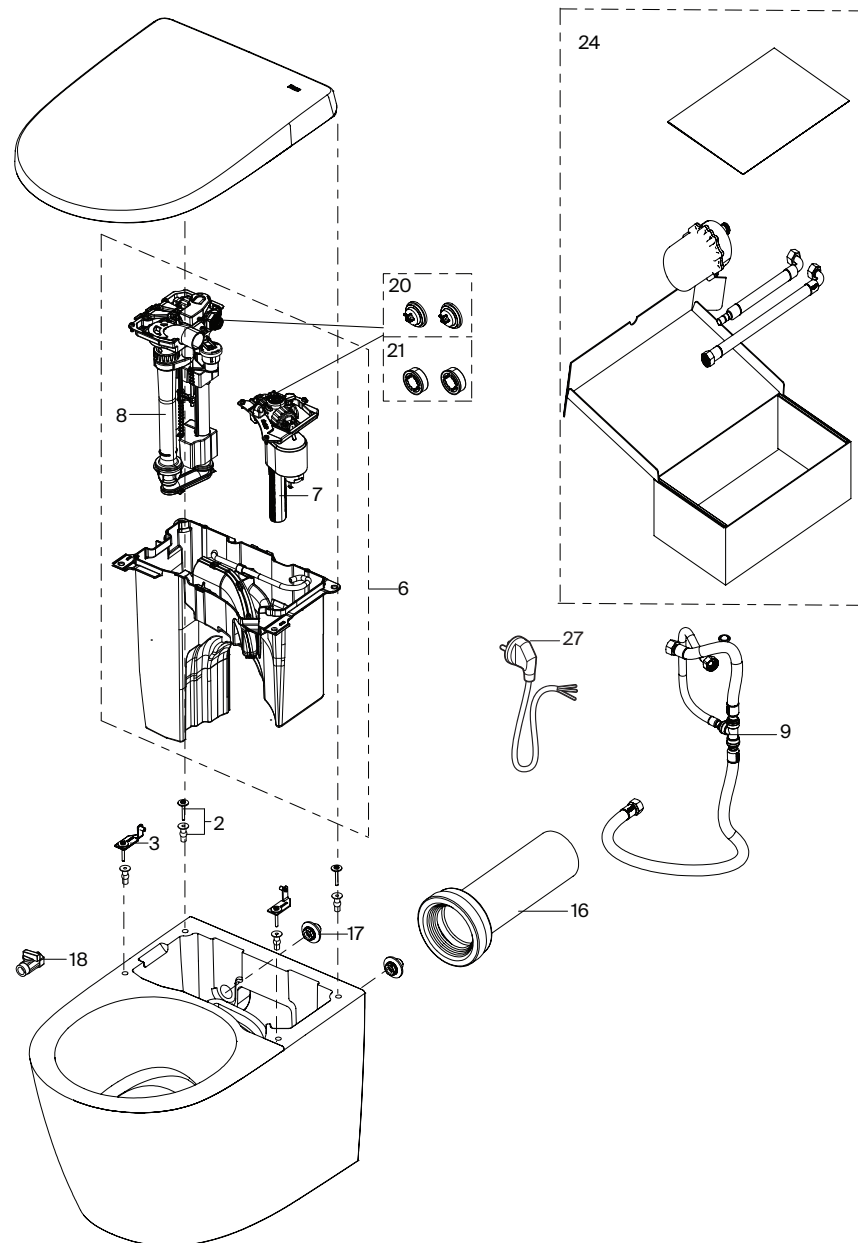
MODELO SUSPENDIDO

Wall-hung model



Corporate
After Sales

| | |
|----------------------------------|----------|
| AVANT SUSPENDIDO Wall-hung | |
| A80336NS0H | |
| A80336NS01 | Electric |



| | | |
|----|------|---------------------|
| 1 | | AV0026800R |
| 2 | 4 un | |
| 3 | 2 un | AV0063800R |
| 4 | | AV0007700R |
| 5 | | AV0013100R |
| 6 | | AV0063900R |
| 7 | | ???? Electric |
| 8 | | AV0064000R |
| 9 | | AV0064100R |
| 10 | | AT0041800R Electric |
| 11 | | AV0065100R |
| 12 | | AT0021800R |
| 13 | 2 un | AV0064900R |
| 14 | | AV0065000R |
| 15 | 2 un | AV0065300R |
| 16 | 2 un | AV0065400R |
| 17 | | AV0070000R |

2025/10/03

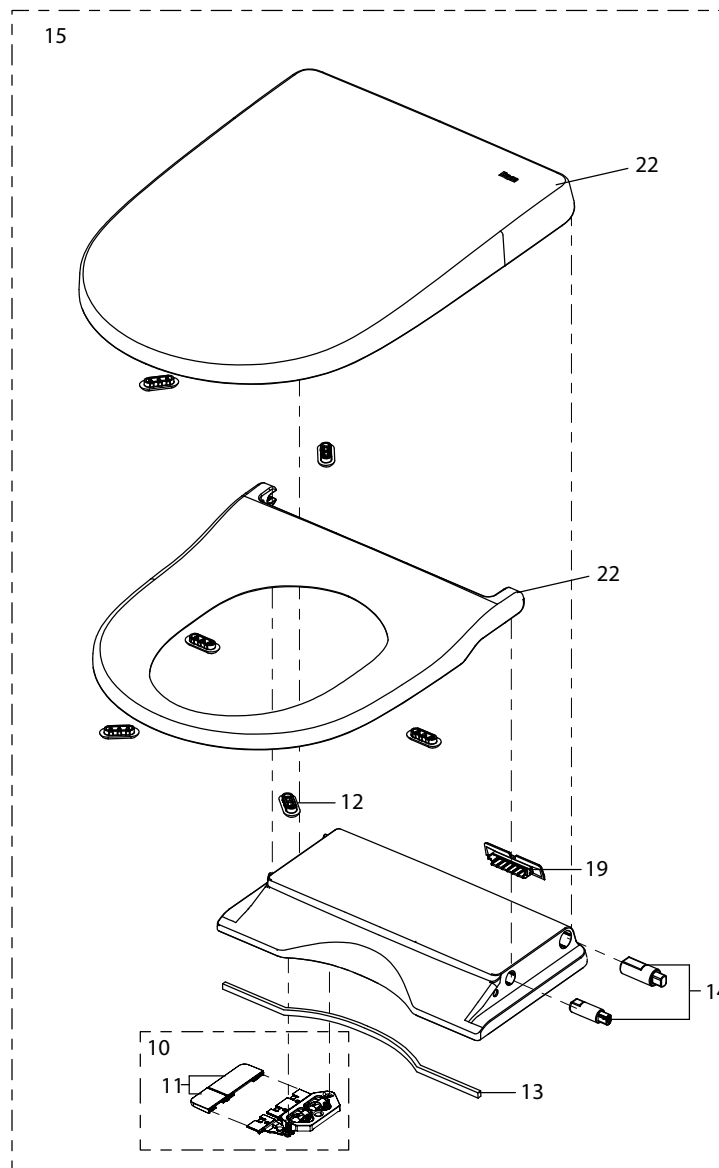
C

AY0035200R

| AVANT DE PIE <i>Floorstanding</i> | | |
|---|---|----------|
| A80336MS0W | alimentación interna <i>internal inlet</i> | |
| A80336MS0H | alimentación externa <i>external inlet</i> | |
| A80336MS00 | alimentación interna <i>internal inlet</i> | Electric |
| A80336MS01 | alimentación externa <i>external inlet</i> | Electric |

| AVANT SUSPENDIDO <i>Wall-hung</i> | |
|---|----------|
| A80336NS0H | |
| A80336NS01 | Electric |

| | | |
|----|------|------------|
| 10 | | AV0064400R |
| 11 | | AV0064500R |
| 12 | 6 un | AV0064300R |
| 13 | | AV0064600R |
| 14 | | AV0064700R |
| 15 | | AV0064800R |
| 19 | | AV0065200R |
| 22 | | AV0066200R |



| Versión <i>Version</i> | Fecha <i>Date</i> | Página <i>Page</i> | Modificación <i>Update</i> |
|---------------------------|----------------------|-----------------------|--|
| a | 2024/10/10 | TODAS All | Creación Manual Recambios WELLNESS TOILET AVANT <i>Release Spare Part Manual Wellness toilet AVANT</i> |
| b | 2025/04/30 | TODAS All | Añadir recambio para RPS Add spare part for RPS |
| c | 2025/10/03 | TODAS All | Añadir versiones electricas Add electric versions |

2025/10/03

c

AY0035200R



Roca Sanitario, S.A.
Avda. Diagonal, 513
08029 Barcelona
SPAIN
www.roca.com