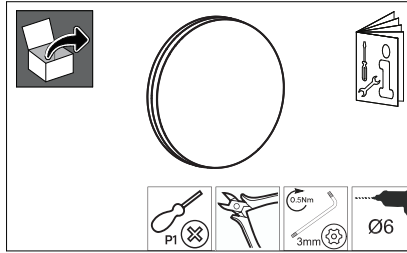


CoreLine Slim Wall-mounted WL200V



Safety cable:

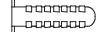
ST4x30 x4



ST3x10 x2



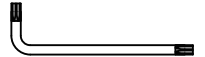
Expansion tube x4



Protective Ring x4

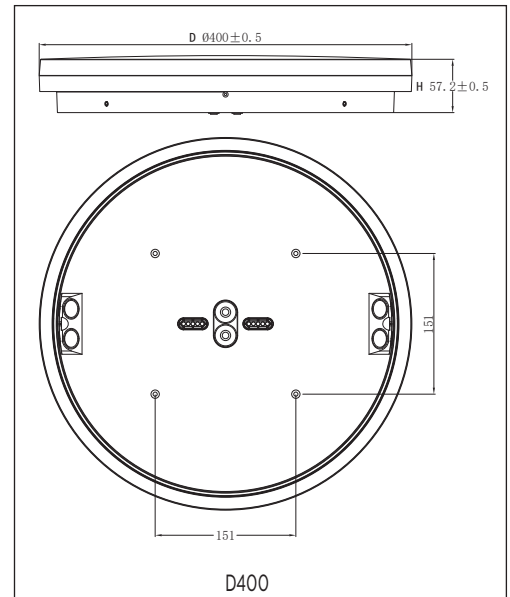
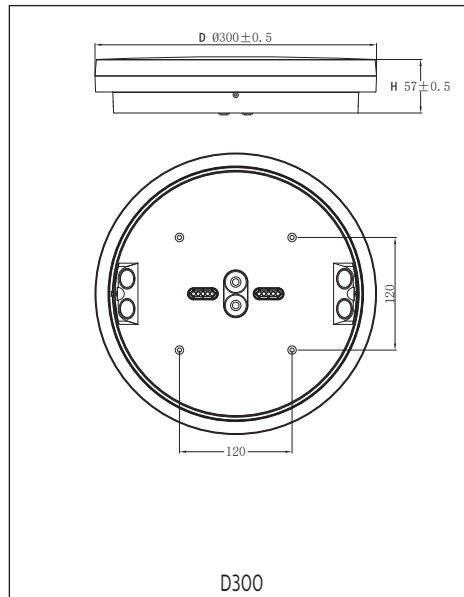
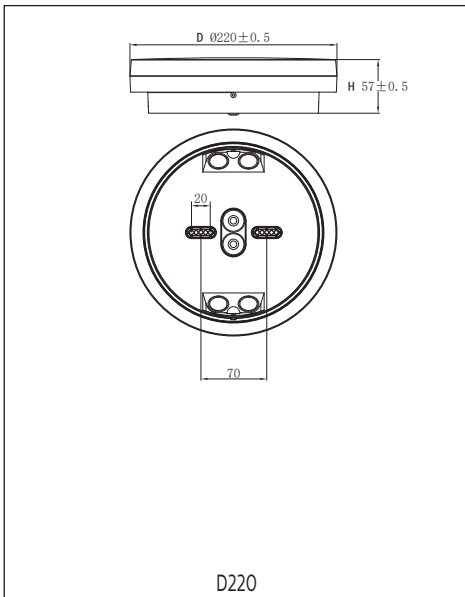
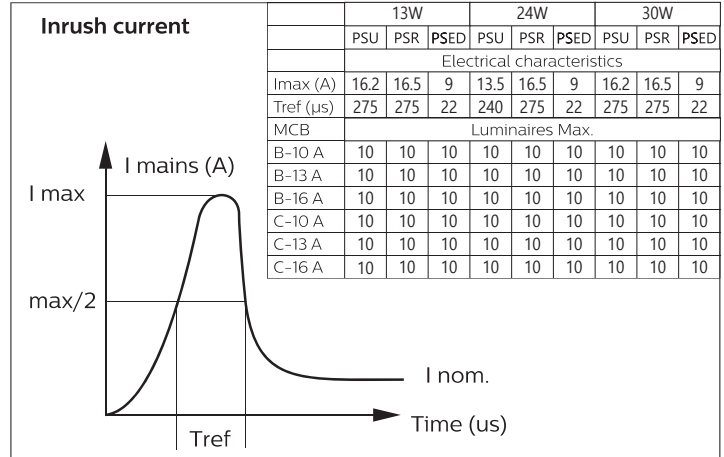
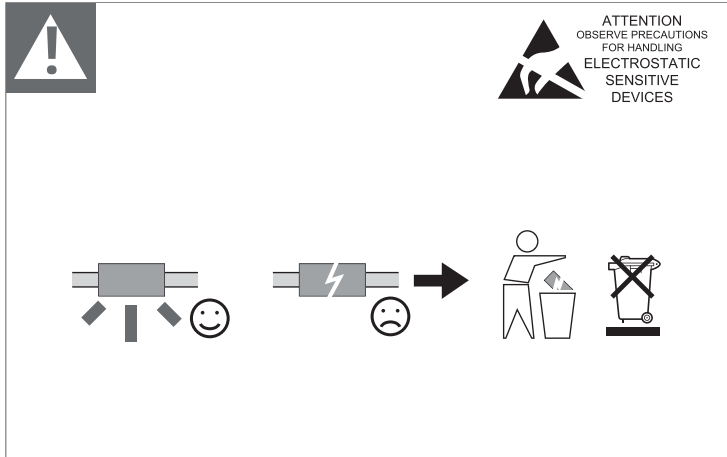


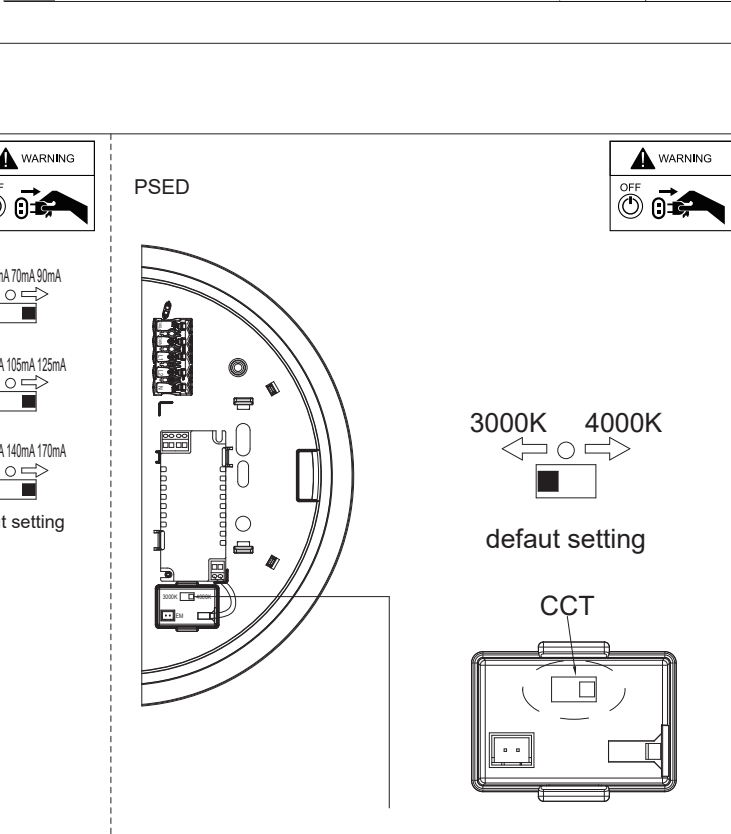
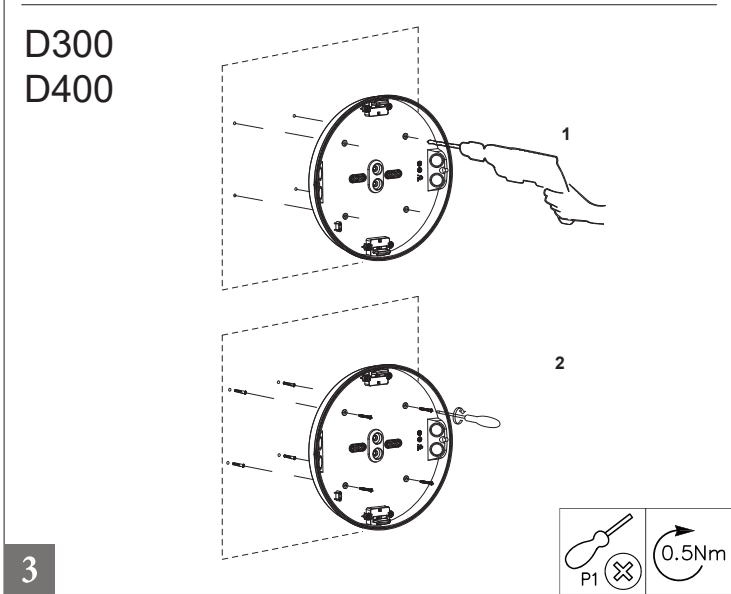
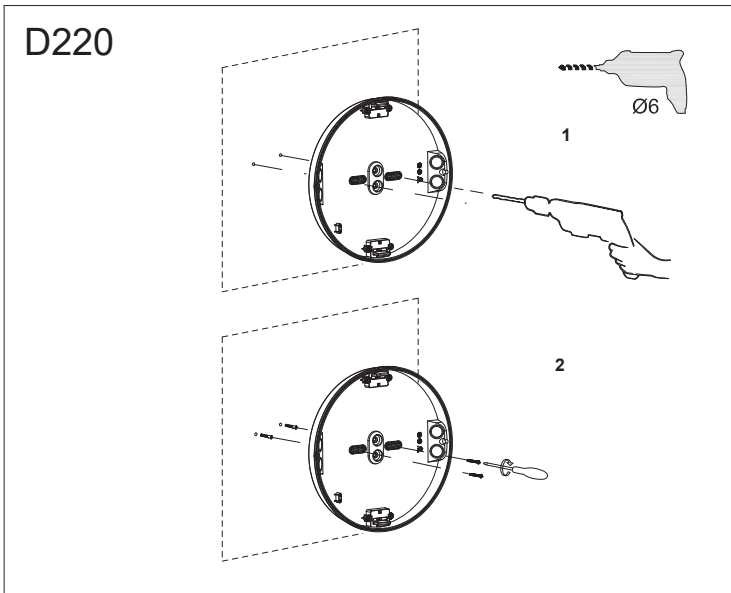
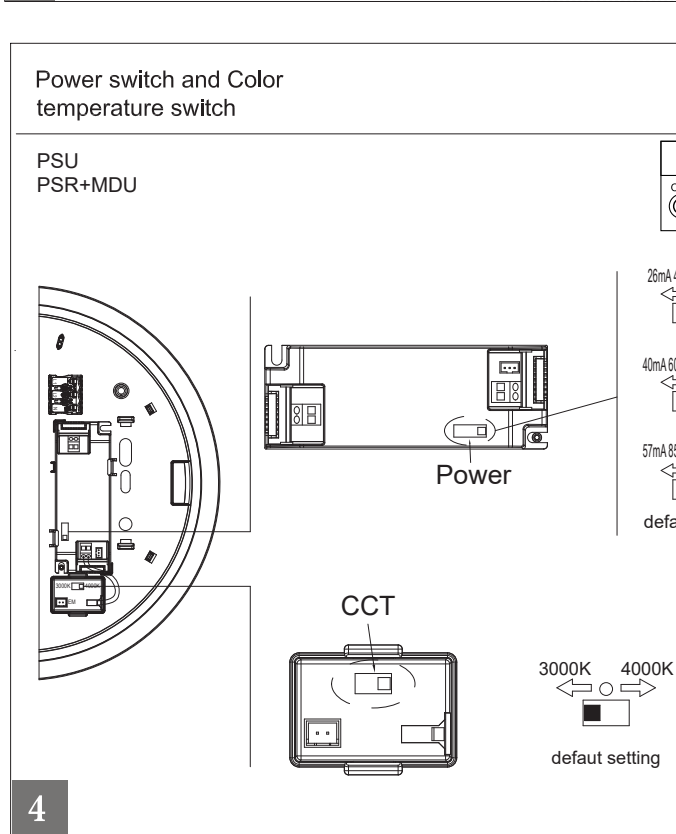
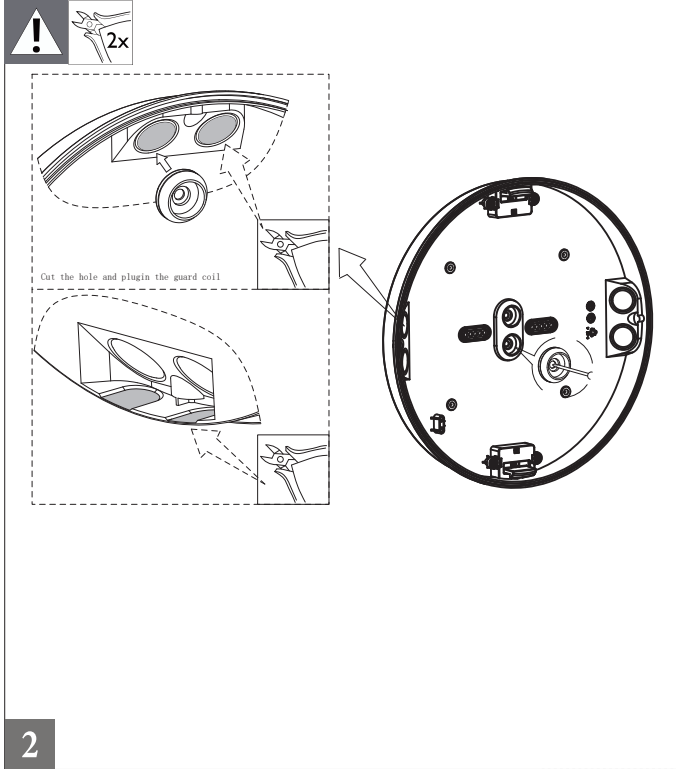
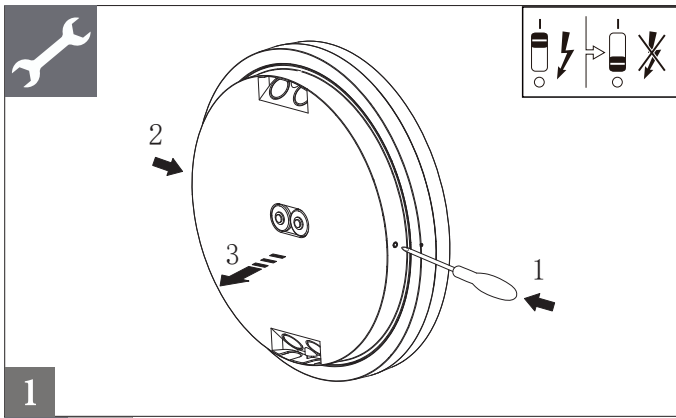
Box-end wrench x1



indoor	220Vac 240Vac	50Hz 60Hz	220Vdc 240Vdc		Ta 25 °C	Max. 40°C Min. -20°C	GLOW WIRE 650 °C		indoor
--------	------------------	--------------	------------------	--	-------------	-------------------------------	------------------------	--	--------

	IP	IK	DxH (mm)	Driver	Sensor	Max interconnection	kg
WL200V 5_8_14_18S/830_840 PSU D220	IP54	IK08	220*57	PSU	NO	10	0.58
WL200V 3_8_14_18S/830_840 PSR MDU D220	IP54	IK08	220*57	PSR	Yes	10	0.58
WL200V 11_17_28_34S/830_840 PSU D300	IP54	IK08	300*57	PSU	NO	10	0.93
WL200V 11_17_28_33S/830_840 PSR MDU D300	IP54	IK08	300*57	PSR	Yes	10	0.93
WL200V 14_21_34_42S/830_840 PSU D400	IP54	IK08	400*57.2	PSU	NO	10	1.52
WL200V 14_21_34_42S/830_840 PSR MDU D400	IP54	IK08	400*57.2	PSR	Yes	10	1.52
WL200V 17S/830_840 PSED D220	IP54	IK08	220*57	PSED	NO	10	0.58
WL200V 32S/830_840 PSED D300	IP54	IK08	300*57	PSED	NO	10	0.93
WL200V 42S/830_840 PSED D400	IP54	IK08	400*57.2	PSED	NO	10	1.52





Max. 10 luminaires.

**PSU
PSR+MDU**

Min 1.0mm²
Max 2.5mm² Ø6-Ø12mm

PSED

Black DA/N
Red DA/Ls
Blue N
Brown L

Min 1.0mm²
Max 2.5mm² Ø6-Ø12mm

6

External wires must not be exposed
Wiring duct

CLICK

0.5Nm
3mm

or

or

7

D220 D220

D300/D400 D300/D400

Type	N	L	L1	L2	DA/Ls	DA/N
PSU	N	L				
PSR+MDU	N	L				
PSED	N			L2	DA/Ls	DA/N

Optional group control

8

D220(PSU/PSR+MDU)

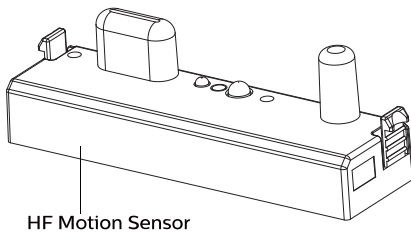
D300(PSU/PSR+MDU)
D400(PSU/PSR+MDU)

PSED(D200)

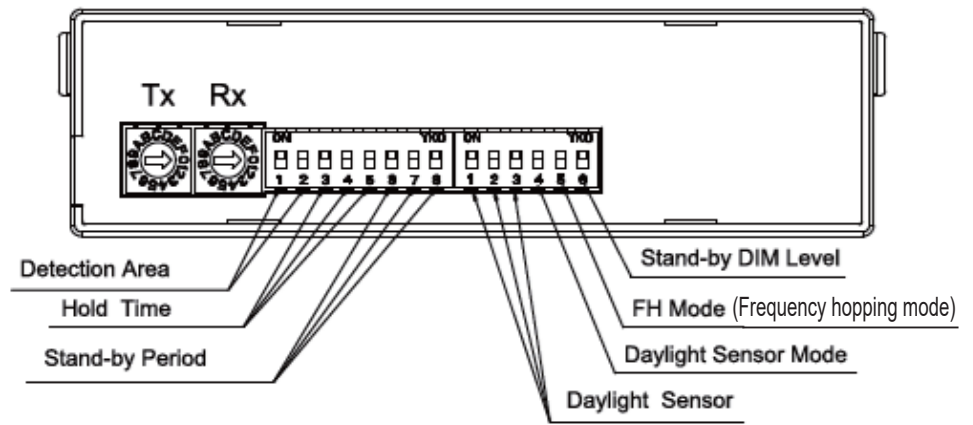
PSED(D300/D400)

Motion Detection Unit (PSR MDU)

Does not support central emergency function



HF Motion Sensor



Dipswitch settings

ON	1	2	%
<input type="checkbox"/>	I on	on	100
<input type="checkbox"/>	II -	on	75
<input type="checkbox"/>	III on	-	50
<input type="checkbox"/>	IV -	-	25

Detection area(default 75%)

Detection area can be changed by selecting the combination on the DIP switches to fit precise applications.

ON	3	4	5	Time
<input type="checkbox"/>	I on	on	on	5 s
<input type="checkbox"/>	II -	on	on	30 s
<input type="checkbox"/>	III on	-	on	1 min
<input type="checkbox"/>	IV on	on	-	3 min
<input type="checkbox"/>	V -	on	-	10 min
<input type="checkbox"/>	VI -	-	-	30 min

Hold time(default 3mins.)

Refers to the time period where the luminaire remains at 100% illumination after no motion is detected.

ON	6	7	8	Time
<input type="checkbox"/>	I on	on	on	0 s
<input type="checkbox"/>	II -	on	on	1 min
<input type="checkbox"/>	III on	-	on	5 min
<input type="checkbox"/>	IV on	on	-	10 min
<input type="checkbox"/>	V -	on	-	30 min
<input type="checkbox"/>	VI -	-	-	+∞

Stand-by period(default 1min.)

Time period of keeping dimmed levels before the luminaire is completely switched off when there is no motion. Default setting is 1 minute.

ON	1	2	3	Lux
<input type="checkbox"/>	I on	on	on	Disable
<input type="checkbox"/>	II -	on	on	100
<input type="checkbox"/>	III on	-	on	50
<input type="checkbox"/>	IV on	on	-	30
<input type="checkbox"/>	V -	on	-	15
<input type="checkbox"/>	VI -	-	-	5

Daylight sensor(default disable)

The sensor can be set to switch on the luminaire below certain light levels (5-100 lux). When it is set to Disable mode, sensor will switch on the luminaire when motion is detected regardless the ambient level.

ON	4	Mode
<input type="checkbox"/>	I on	Model 1 (Normal Sensor)
<input type="checkbox"/>	II -	Model 2 (Daylight Priority)

Daylight sensor mode(default ON)

Setting No. B4 DIP switch "ON" to normal Daylight Threshold mode, setting "OFF" to Daylight Priority mode

ON	5	Mode
<input type="checkbox"/>	I on	FH ON
<input type="checkbox"/>	II -	FH OFF

Staircase mode(default OFF)

Turn the setting ON when the wireless grouping is required for staircase (multiple floor) applications.

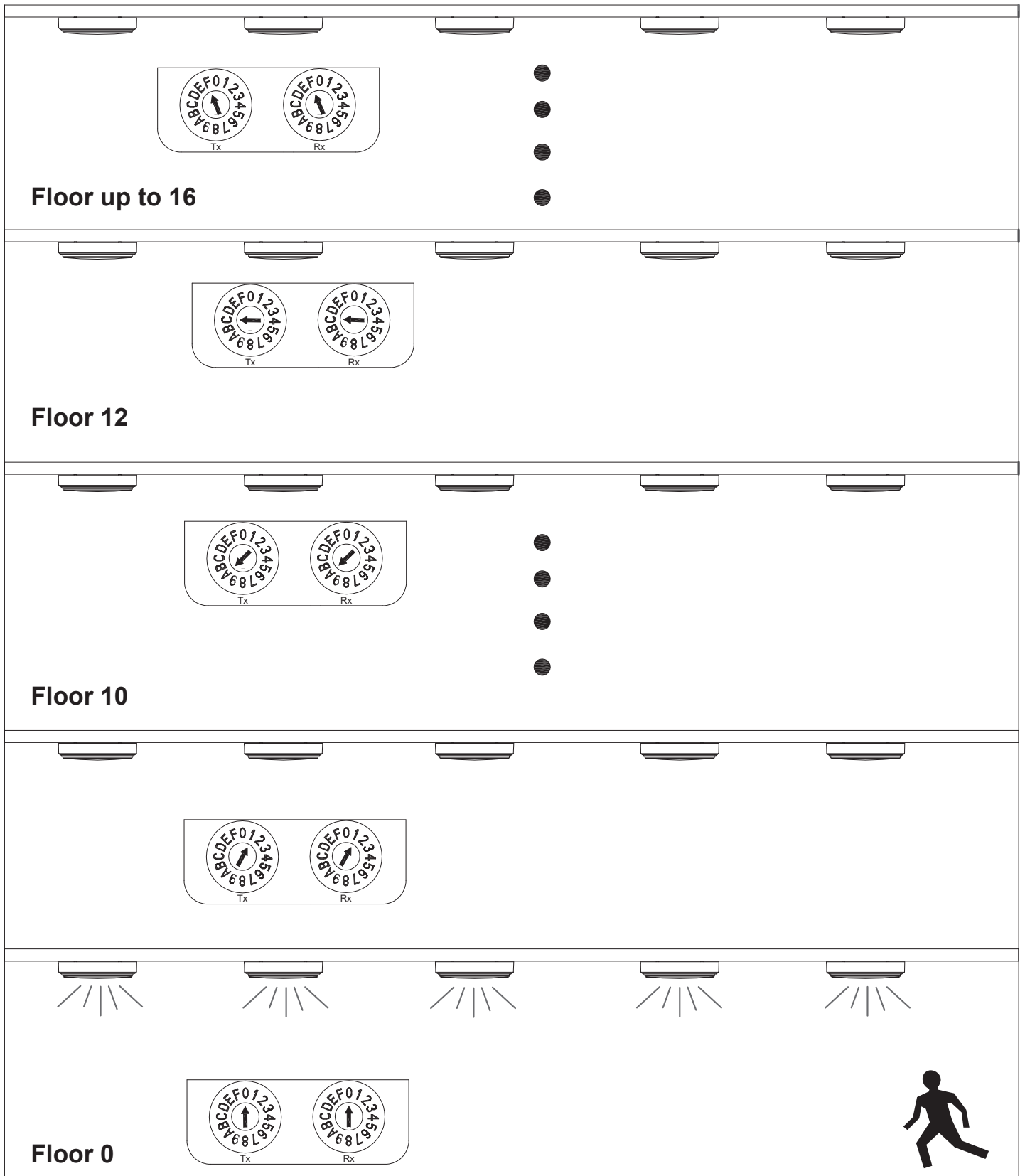
ON	6	%
<input type="checkbox"/>	I on	10
<input type="checkbox"/>	II -	30

Stand-by dimming level(default 30%)

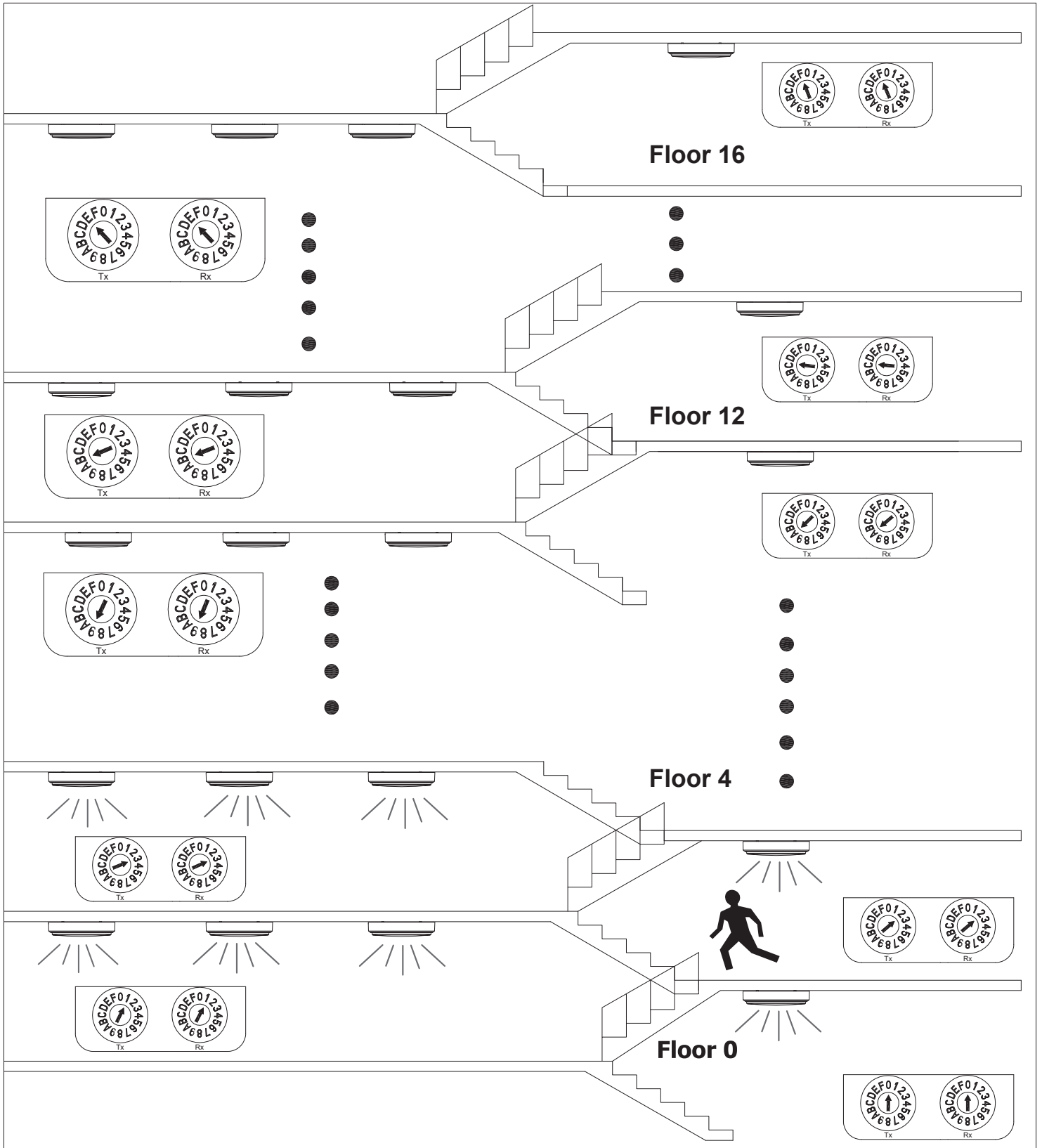
Dimming % level when there is no motion (after the hold time) to save energy.

Radio Frequency (RF) wireless grouping:

1. Corridor



Radio Frequency (RF) wireless grouping: 2. Corridor + Staircase

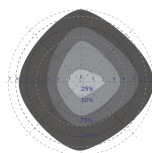


Detection area (Radiation pattern)PSR MDU

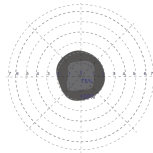
1. Ceiling mounting

Ceiling mounted height: 3m
Sensitivity: 100%/75%/50%/25%

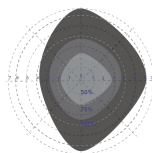
Ceiling mounted height: 6m
Sensitivity: 100%/75%/50%/25%



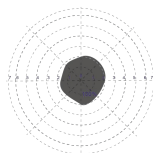
Normal moving (Speed: 1m/s)



Normal moving (Speed: 1m/s)



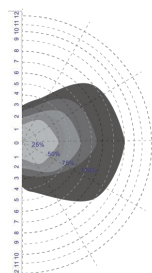
Slow moving (Speed 0.3m/s)



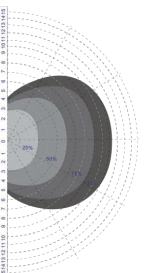
Slow moving (Speed 0.3m/s)

2. Wall mounting

Wall mounting height: 2m
Sensitivity:
100%/75%/50%/25%



Normal moving (Speed: 1m/s)



Slow moving (Speed 0.3m/s)

Initialization

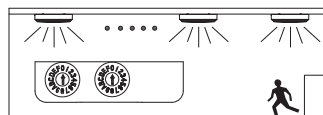
The light will turn on 100% brightness in the initial energizing sensor, and turn off after 10 seconds. During initialization, no external motion sensing signal will be detected.

Default settings

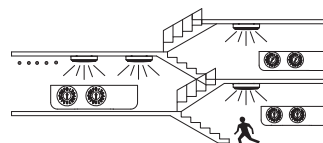
Detection Area: 75% / Hold Time: 3 mins , Stand-by period: 1 mins , Daylight Sensor: Disable , Stand-by Dim Level: 30%, RF: Open , Mode: Broadcast , TX: 0 , RX: 0.

PSR MDU Note:

- 1: Work mode: Corridor & Staircase
- 2: TX: is for signal Transmitting, with 0-F 16 different channels. 1 DIP to set Group A or group B. Group A with 16 channels, Group B also with 16 groups, total can set 32 groups .
- 3: RX: is for signal Receiving, with 0-F 16 different channels. 1 DIP to set Group A or group B . Group A with 16 channels, Group B also with 16 groups ,total can set 32 groups.
- 4: When Master and Master set under corridor work mode, that means ,all sensors set the same channel, Any Master sensor is triggered, it will transmit the RF signal to all the lamps in the group
- 5: Satellite receive RF signal from Master, the "hold time" is determined by Master, keep the same with master's "hold time" .
- 6: Sensor will not transmit or receive RF signal during the Initialization time. only can transmit RF signal after the Initialization period.
- 7: Group A and group B of RX require the corresponding Master group A and group B of TX .
- 8 : Indoor wireless distance without wall shielding 50 meters .
- 9 : Indoor wireless distance with wall shielding 25 meters .
- 10: Work mode: Corridor application is shown in the following figure



- 11: Work mode: Staircase application is shown in the following figure



Note:

1. The CoreLine Slim wall-mounted needs to be installed side-by-side in the same direction. The distance between each of the luminaires should be kept at least 3m to avoid mutual interference.
2. Please pay attention to the installation environment:
 - 2.1. Avoid high-density objects such as: metal, glass, concrete walls, etc, within the sensor detection area.
 - 2.2. Avoid moving signals within the sensor detection area such as: fan, DC motor, sewer pipe, air outlet, heavy rainfall, motion behind a thin wall etc. This is to avoid false triggers of the sensor.
 - 2.3. This sensor is susceptible to outdoor wind, rain, and moving objects, which may cause false triggering.
3. In order to reach the common sensor distance, the speed of object move should be less than 1m/s. If an object moves with speed higher than 1m/s, the detection distance will decrease.
4. It is advised not to install a luminaire on a wooden surface. If it must be installed on a wooden surface, the wood thickness must exceed 15cm.
5. To avoid smaller detection range or abnormal operation, the CoreLine Slim wall-mounted should not be installed in close distance to large areas of metal and glass(a separation distance of at least 1m).

Please reduce detection area setting or contact Signify to confirm the situation once the CoreLine Slim wall-mounted fails to work.

© 2021 Signify Holding.
All rights reserved. This document contains information relating to the product portfolio of Signify which information may be subject to change. No representation or warranty as to the accuracy or completeness of the information included herein is given and any liability for any action in reliance thereon is disclaimed. The information presented in this document is not intended as any commercial offer and does not form part of any quotation or contract. Philips and the Philips Shield Emblem are registered trademarks of Koninklijke Philips N.V. All other trademarks are owned by Signify Holding or their respective owners.

Signify Holding.
The Netherlands



Note:

1. The luminaire shall be installed by a qualified electrician and wired in accordance with the latest IEE electrical regulations or the national requirements.
2. Insulation between LV mains and control conductors is basic insulation.
3. The servicing of the control gear in this luminaire should only be undertaken by the manufacturer or their service agent or a similarly skilled person.
4. The light source contained in this luminaire shall only be replaced by the manufacturer or their service agent or a skilled person.



- GB** Storage, installation, use, operation, and maintenance of the products needs to be performed exactly according to the instructions in the mounting instruction with the product and/or other instructions as may be provided by us to guarantee safe use of the product over its entire lifetime. Failure to adhere to these instructions will invalidate your entitlement to warranty. Bolts with indication of torque strength on the drawing need to be tightened using a calibrated torque wrench. Pre-assembled bolts need to be retightened again to the required torque specification to assure maximum strength over lifetime. If necessary to exchange electrical components, they should be exchanged to exactly same type and model (or as alternatively advised by Signify). Signify cannot assure, that changing into components of other manufacturers, product will remain compliant with norms and regulations. Position of wiring should not be changed. If an external flexible cable or cord is supplied with this luminaire and is damaged, it shall be replaced by a special cable or cord exclusively available from the manufacturer or his service agent. The light source contained in this luminaire shall only be replaced by the manufacturer or his service agent or a similar qualified person. In case of PVC insulated cable, the installer must assure that the whole cable is protected against weather conditions, especially UV and rain, by containing the cable inside of luminaire and/or pole. Wall mounted or adjustable luminaires using an external flexible cable longer than 30cm are to be installed outside arm's reach. In case of risk group 2 products the luminaire should be positioned so that prolonged staring into the luminaire at a distance as indicated in the mounting instruction is not expected. Luminaire has basic insulation between Low Voltage supply and control conductors. If terminal block is not included, installation must be performed by a qualified person. This product contains a light source of energy efficiency class: see table or label.
- DE** Lagerung, Installation, Verwendung, Betrieb, UNWartung der Produkte müssen genau nach den Anweisungen in dieser Montageanleitung und/oder anderen von uns zur Verfügung gestellten Anweisungen erfolgen, um eine sichere Verwendung des Produkts über seine gesamte Lebensdauer zu gewährleisten. Bei Nichtbeachtung dieser Hinweise erlischt Ihr Anspruch auf Gewährleistung. Schrauben mit Angabe der Drehmomente auf der Zeichnung müssen mit einem kalibrierten Drehmomentschlüssel angezogen werden. Vormontierte Schrauben müssen mit dem angegebenen Drehmoment nachgezogen werden. Wenn es notwendig ist, elektrische Komponenten auszutauschen, sollten diese genau den gleichen Typ und das gleiche Modell ausgetauscht werden (oder mit von Signify empfohlenen Alternativen). Signify kann nicht sicherstellen, dass das Produkt beim Austausch gegen Komponenten anderer Hersteller den Normen und Vorschriften entspricht. Die Position der Verkabelung sollte nicht verändert werden. Wenn ein externes flexibles Kabel oder eine externe flexible Leitung mit dieser Leuchte geliefert wird und beschädigt ist, muss es/sie durch ein spezielles Kabel oder eine spezielle Leitung ersetzt werden, welche ausschließlich beim Hersteller oder seinem Kundendienst erhältlich ist. Die in dieser Leuchte enthaltene Lichtquelle darf nur vom Hersteller oder seinem Servicevertreter oder einer ähnlich qualifizierten Person ausgetauscht werden. Bei PVC-isolierten Kabeln muss der Installateur sicherstellen, dass das gesamte Kabel vor Witterungseinflüssen, insbesondere UV-Strahlung und Regen, geschützt ist, indem er das Kabel in der Leuchte und/oder im Mast verlegt. An der Wand montierte oder verstellbare Leuchten, die ein externes flexibles Kabel von mehr als 30 cm Länge verwenden, müssen außerhalb der Reichweite des Armes angebracht werden. Bei Produkten der Risikogruppe 2 sollte die Leuchte so positioniert werden, dass ein längeres Hineinschauen in die Leuchte in einem in der Montageanleitung angegebenen Abstand nicht zu erwarten ist. Die Leuchte verfügt über eine Basisisolation zwischen Niederspannungsversorgung und Steuerleitern. Wenn kein Klemmenblock enthalten ist, muss die Installation von einer qualifizierten Person durchgeführt werden. Dieses Produkt enthält ein Leuchtmittel der Energieeffizienzklasse: siehe Tabelle oder Etikett.
- FR** Le stockage, l'installation, l'utilisation, le fonctionnement et la maintenance des produits doivent être effectués conformément aux instructions contenues dans la notice de montage accompagnant le produit et/ou à d'autres instructions que nous pouvons fournir pour garantir une utilisation sûre du produit pendant toute sa durée de vie. Le non-respect de ces instructions annulera le droit de garantie. Les vis, dont les couples de serrage sont indiqués sur les schémas, doivent être serrés à l'aide d'une clé dynamométrique étalonnée. Les vis préassemblées doivent être resserrées à nouveau selon la spécification de couple de serrage requis afin d'assurer leur résistance maximale pendant toute leur durée de vie. Si il est nécessaire d'échanger des composants électriques, ils doivent être remplacés par exactement le même type et modèle (ou comme alternative conseillée par Signify). Signify ne peut pas garantir que le produit, s'il est remplacé par des composants d'autres fabricants, restera conforme aux normes et réglementations. La position du câblage ne doit pas être modifiée. Si un câble flexible externe ou un cordon fourni par ce luminaire est endommagé, il doit être remplacé par un câble spécial ou un cordon exclusivement disponible auprès du fabricant ou de son agent. La source lumineuse contenue dans ce luminaire ne doit être remplacée que par le fabricant ou son agent de service ou une personne qualifiée similaire. Dans le cas d'un câble isolé en PVC, l'installateur doit s'assurer que l'ensemble du câblage est protégé contre les conditions météorologiques, notamment les UV et la pluie, en confinant le câble à l'intérieur du luminaire et/ou du mât. Les luminaires en fixation murale ou orientables utilisant un câble flexible externe de plus de 30 cm doivent être installés hors de portée de main. Dans le cas de produits de groupe risque 2, le luminaire doit être positionné de manière à ce qu'il ne soit pas prévu de regarder longtemps dans le luminaire à une distance telle qu'indiquée dans la notice de montage. Le luminaire est doté d'une isolation de base entre l'alimentation basse tension et les conducteurs de commande. Si le bornier de connexion n'est pas inclus, l'installation doit être effectuée par une personne qualifiée. Ce produit contient une source lumineuse de classe d'efficacité énergétique: voir tableau ou étiquette.
- IT** Lo stoccaggio, l'installazione, l'uso, il funzionamento e la manutenzione dei prodotti devono essere eseguiti seguendo esattamente le istruzioni contenute nelle istruzioni di installazione del prodotto e/o in altra documentazione fornita da noi per garantire la sicurezza del prodotto per l'intera durata del suo utilizzo. La mancata osservanza di queste istruzioni annullerà la garanzia. I bulloni, con indicazione della coppia di serraggio sui disegni delle istruzioni di installazione, devono essere serrati utilizzando una chiave dinamometrica calibrata. I bulloni pre-assemblati devono essere riserrati nuovamente secondo le specifiche di coppia richieste per assicurare la massima resistenza per tutta la durata di utilizzo. Qualora sia necessario sostituire i componenti elettrici, questi devono essere sostituiti con componenti esattamente dello stesso tipo e modello (o, in alternativa, con altri indicati da Signify). Signify non può garantire che, utilizzando componenti di altri produttori, il prodotto rimarrà conforme alle norme e ai regolamenti vigenti. La posizione dei cablaggi non deve essere modificata. Qualora l'apparecchio sia fornito con un cavo esterno flessibile e questo presenti segni di danneggiamento, dovrà essere sostituito esclusivamente con un cavo fornito dal produttore dell'apparecchio o dal suo servizio di assistenza. La sorgente luminosa contenuta in questo apparecchio deve essere sostituita solo dal produttore, dal suo agente di assistenza o da una persona qualificata. In presenza di un cavo in PVC isolato, l'installatore deve garantire che l'intero cavo sia protetto dagli agenti atmosferici, in particolare dai raggi UV e dalla pioggia, posizionando il cavo all'interno dell'apparecchio e/o del palo. Gli apparecchi a parete o orientabili forniti con cavo flessibile esterno di lunghezza superiore a 30 cm devono essere installati fuori dalla portata del braccio. In caso di prodotti con gruppo di rischio 2, l'apparecchio deve essere posizionato in modo tale che non sia prevista l'osservazione prolungata dell'apparecchio alla distanza indicata nelle istruzioni di montaggio. L'apparecchio è dotato di isolamento di base tra l'alimentazione a bassa tensione e i conduttori di controllo. Qualora la morsetteria non sia inclusa, l'installazione deve essere eseguita solamente da personale qualificato. Questo prodotto contiene una sorgente luminosa di classe di efficienza energetica: vedere tabella o etichetta.
- ES** El almacenamiento, la instalación, el uso, la operación y el mantenimiento de los productos deben realizarse exactamente de acuerdo con las instrucciones de montaje del producto y/u otras instrucciones que podamos proporcionarles para garantizar el uso seguro del producto en su totalidad. El incumplimiento de estas instrucciones invalidará su derecho a la garantía. Los pernos que indican la fuerza de torsión en el dibujo deben apretarse usando una llave dinamométrica calibrada. Los pernos preensamblados deben volver a apretarse según la especificación de torsión requerida para garantizar la máxima resistencia durante toda su vida útil. Si es necesario cambiar componentes eléctricos, se deben cambiar por exactamente el mismo tipo y modelo (o como alternativamente lo recomiende Signify). Signify no puede garantizar que al cambiar a componentes de otros fabricantes, el producto seguirá cumpliendo con las normas y regulaciones. No se debe cambiar la posición del cableado. Si se suministra un cable externo con esta luminaria y está dañado, deberá ser reemplazado por un cable disponible exclusivamente del fabricante o su agente de servicio. La fuente de luz contenida en esta luminaria sólo deberá ser reemplazada por el fabricante o su agente de servicio o una persona calificada similar. En el caso de cable aislado con PVC, el instalador debe asegurarse de que todo el cable esté protegido contra las condiciones climáticas, especialmente los rayos UV y la lluvia, al contener el cable dentro de la luminaria y/o poste. Las luminarias de pared o orientables mediante cable flexible externo de longitud superior a 30 cm deben instalarse fuera del alcance del brazo. En el caso de productos del grupo de riesgo 2, la luminaria debe colocarse de manera que no se pueda mirar fijamente a la luminaria a una distancia como se indica en las instrucciones de montaje. La luminaria cuenta con aislamiento básico entre los conductores de suministro y control de Baja Tensión. Si la clema de conexiones no está incluida, la instalación debe ser realizada por una persona calificada. Este producto contiene una fuente de luz de clase de eficiencia energética: ver tabla o etiqueta.
- PT** O armazenamento, instalação, uso, operação e manutenção dos produtos devem ser realizados exatamente de acordo com as instruções nas instruções de montagem do produto e/ou outras instruções que possam ser fornecidas por nós para garantir o uso seguro do produto em toda a sua extensão. O não cumprimento destas instruções invalidará o seu direito à garantia. Os parafusos com indicação da força de torque no desenho devem ser apertados com um torquímetro calibrado. Os parafusos pré-montados precisam ser reapertados novamente com a especificação de torque necessária para garantir resistência máxima ao longo da vida útil. Se for necessário trocar componentes elétricos, eles deverão ser trocados exatamente pelo mesmo tipo e modelo (ou conforme recomendado pela Signify). A Signify não pode garantir que, ao mudar para componentes de outros fabricantes, o produto permanecerá em conformidade com as normas e regulamentos. A posição da fiação não deve ser alterada. Se um cabo ou cordão flexível externo for fornecido com esta luminária e estiver danificado, ele deverá ser substituído por um cabo ou cordão especial disponível exclusivamente no fabricante ou em seu agente de serviço. A fonte de luz contida nesta luminária só deverá ser substituída pelo fabricante ou pelo seu agente de assistência ou pessoa qualificada semelhante. No caso de cabo isolado em PVC, o instalador deve garantir que todo o cabo esteja protegido contra intempéries, principalmente UV e chuva, contendo o cabo dentro da luminária e/ou poste. As luminárias montadas na parede ou ajustáveis usando um cabo flexível externo com comprimento superior a 30 cm devem ser instaladas fora do alcance do braço. No caso de produtos do grupo de risco 2, a luminária deve ser posicionada de modo que não seja esperado olhar prolongado para a luminária à distância indicada nas instruções de montagem. A luminária possui isolamento básico entre os condutores de alimentação e de controle de baixa tensão. Se o bloco terminal não estiver incluído, a instalação deverá ser realizada por uma pessoa qualificada. Este produto contém uma fonte de luz de classe de eficiência energética: ver tabela ou etiqueta.
- GR** Η αποθήκευση, η εγκατάσταση, η χρήση, η λειτουργία και η συντήρηση των προϊόντων πρέπει να εκτελούνται ακριβώς σύμφωνα με τις οδηγίες στο φυλλάδιο οδηγιών τοποθέτησης του προϊόντος ή/και άλλες οδηγίες που ενδέχεται να παρέχονται από εμάς για να εγγυηθούμε την ασφαλή χρήση του προϊόντος σε ολόκληρη τη διάρκεια ζωής. Η μη τήρηση αυτών των οδηγιών θα ακυρώσει το δικαίωμά σας για εγγύηση. Τα μπουλόνια με ένδειξη ισχύος ροπής σε αυτό το σχέδιο πρέπει να σφίγγονται χρησιμοποιώντας ένα βαθμονομημένο δυναμόμετρο. Τα προσυναρμολογημένα μπουλόνια πρέπει να ξανασφίζονται με την απαιτούμενη προδιαγραφη ροπής για να εξασφαλιστεί η μέγιστη αντοχή στη διάρκεια ζωής. Εάν είναι απαραίτητο να αντικατασταθούν ηλεκτρικά εξαρτήματα, θα πρέπει να αντικατασταθούν με τον ίδιο ακριβώς τύπο και μοντέλο (ή όπως αναλυτικά προτείνει η Signify). Η Signify δεν μπορεί να διαβεβαιώσει ότι μεταρρυθμισμένα εξαρτήματα άλλων κατασκευαστών, το προϊόν θα παραμείνει συμβατό με τους κανόνες και τους κανονισμούς. Η θέση της καλωδίωσης δεν πρέπει να αλλάξει. Εάν ένα εξωτερικό εύκαμπτο καλώδιο ή καλώδιο που παρέχεται με αυτό το φωτιστικό είναι κατεστραμμένο, θα πρέπει να αντικατασταθεί από ένα ειδικό καλώδιο ή καλώδιο που διατίθεται αποκλειστικά από τον κατασκευαστή ή τον αντιπροσώπο σέρβις του. Η τηγή φωτός που περιέχεται σε αυτό το φωτιστικό πρέπει να αντικαθίσταται μόνο από τον κατασκευαστή ή τον αντιπρόσωπο σέρβις του ή από παρόμοιο εξειδικευμένο άτομο. Στην περίπτωση καλωδίου με μόνωση PVC, ο εγκαταστάτης πρέπει να διασφαλίσει ότι ολόκληρο το καλώδιο προστατεύεται από τις καιρικές συνθήκες, ιδιαίτερα από την υπεριώδη ακτινοβολία και τη βροχή, περιέχοντας το καλώδιο στο εσωτερικό του φωτιστικού και/ή του πόλου. Τα επιπλέον ή ρυθμιζόμενα φωτιστικά που χρησιμοποιούνται εξωτερικά εικάζονται μήκους μεγαλύτερου των 30εκ πρέπει να τοποθετούνται έξω από την έκταση του βραχίονα. Σε περίπτωση προϊόντων της ομάδας κινδύνου 2, το φωτιστικό θα πρέπει να τοποθετηθεί έτσι ώστε να μην αναμένεται παρατεταμένο βλέμμα μέσα στο φωτιστικό σε απόσταση, όπως υποδεικνύεται στις οδηγίες τοποθέτησης. Το φωτιστικό έχει βασική μόνωση μεταξύ αγωγών τροφοδοσίας χαμηλής τάσης και ελέγχου. Εάν το μπλοκ αρδεοκτίων δεν περιλαμβάνεται, η εγκατάσταση πρέπει να γίνει από εξειδικευμένο άτομο. Αυτό το προϊόν περιέχει τηγή φωτός κατηγορίας ενεργειακής απόδοσης: δείτε τον πίνακα ή την ετικέτα.
- NL** Om een veilig gebruik van dit product gedurende de hele levensduur te garanderen, dient het opslaan, installeren, gebruiken, bedienen en onderhouden ervan exact te worden uitgevoerd in overeenstemming met de instructies in de handleiding bij dit product en/of andere door ons geleverde instructies. Niet opvolgen van deze instructies maakt uw garantie-aanspraken ongeldig. Bouten waarvan in de tekening het aanhaalkoppel is vermeld, dienen te worden vastgezet met behulp van een momentsleutel. Voorgeassembleerde bouten dienen opnieuw te worden aangehaald tot het vereiste koppel om maximale sterkte gedurende de hele levensduur te waarborgen. Indien elektrische componenten vervangen moeten worden, dient exact hetzelfde type/model gebruikt te worden (of zoals anderszins geadviseerd door Signify). Signify kan niet garanderen dat bij gebruik van componenten van andere fabrikanten het product blijft voldoen aan normen en regelgeving. De positie van de bedrading mag niet gewijzigd worden. Als een flexibele externe kabel of snoer met het armatuur wordt geleverd en beschadigd raakt, dient deze te worden vervangen door een speciale kabel of snoer van de fabrikant of zijn service agent. De lichtbron in deze armatuur mag alleen worden vervangen door de fabrikant of zijn serviceagent of een vergelijkbaar gekwalificeerd persoon. Bij een PVC geïsoleerde kabel dient de installateur te waarborgen dat de hele kabel beschermd is tegen weersomstandigheden en vooral tegen UV en regen, door de kabel binnen het armatuur en/of de mast te houden. Armaturen voor wandmontage of verstelbare armaturen met een externe flexibele kabel langer dan 30cm dienen buiten handbereik te worden geïnstalleerd. Risico groep 2 armaturen dienen zodanig te worden gepositioneerd dat langdurige inblik in het armatuur vanaf een afstand zoals aangegeven in de handleiding niet te verwachten is. Het armatuur heeft een basisisolatie tussen de laagspanningsvoeding en de stuurleiders. Indien geen aansluitconnector aanwezig is, dient de aansluiting uitgevoerd te worden door een gekwalificeerd persoon. Dit product bevat een lichtbron met energie-efficiëntieklasse: zie tabel of etiket.

SE Förväring, installation, användning, drift och underhåll av produkterna måste utföras enligt anvisningarna i monteringsanvisningen som medföljer produkten och/eller andra instruktioner som kan tillhandahållas av oss för att garantera säker användning av produkten under hela dess livslängd. Om instruktioner inte följs frångår man produktgarantin. Skruvar där vridmoment anges på ritningen måste dras åt med en kalibrerad skiftnyckel. Förmonterade skruvar måste dras åt igen med angivet vridmoment för att säkerställa högsta styrka under livslängden. Om det är nödvändigt att byta ut elektriska komponenter, ska de bytas ut till samma typ och modell (eller enligt Signify's anvisningar). Signify kan inte garantera att produkten kommer att uppfylla gällande normer och föreskrifter om den byts ut mot komponenter från andra tillverkare. Ledningskabels placering får inte ändras. Om skada uppstår på en extern flexibel kabel eller sladd om detta levererats med armaturen, ska den ersättas med en speciell kabel eller sladd som endast är tillgängligt hos tillverkaren eller dennes serviceombud. Ljuskällan i denna armatur får endast bytas ut av tillverkaren eller dennes serviceombud eller en liknande kvalificerad person. För PVC-isolerad kabel måste installatören placera kabeln inuti armaturen och/eller stolpen för att se till att hela kabeln skyddas mot väderförhållanden, särskilt UV-strålning och regn. Väggh monterade eller justerbara armaturer som använder en extern flexibel kabel som är längre än 30 cm ska installeras utom räckhåll. När det gäller produkter i riskgrupp 2 ska armaturen placeras så att ingen förväntas under en längre tid stå i armaturen på det avstånd som anges i monteringsanvisningen. Armaturen har grundläggande isolering mellan lågsäningsmatning och styrelser. Om kopplingsplint inte medföljer måste installationen utföras av behörig person. Denna produkt innehåller en ljuskälla av energieffektivitetssklass: se tabell eller etikett.

FI Tuotteiden asennuksessa, käytössä ja huollossa on noudatettava tarkoin tuotteen asennusohjeessa tai muissa toimittamissamme ohjemateriaaleissa annettuja ohjeita. Tämä varmistaa tuotteen turvallisen toiminnan koko sen käyttöajan ajan. Näiden ohjeiden noudattamatta jättäminen mitätöi kaikki oikeutesi takuukorvauksiin. Pultit, joille on asennusohjeessa ilmoitettu kiristystiukkuus, on kiristettävä kalibroidulla momenttiavaimella. Esiasennetut pultit on kiristettävä ilmoitettuun kiristystiukkuuteen koko käyttöajan mittaisen kestävyuden varmistamiseksi. Mikäli sähkökomponentteja on tarpeen vaihtaa, ne tulisi vaihtaa täysin samantyyppisiin ja -mallisiin (tai muihin Signifyn ohjeistamiin) komponentteihin. Signify ei voi taata, että tuote vastaa edelleen vaatimuksia ja säädöksiä, jos käytetään muiden valmistajien komponentteja. Johdotuksen paikkaa ei tule muuttaa. Jos valaisimen mukana toimitetaan ulkoinen, taipuisa kaapeli tai johto ja se vaurioituu, se tulee vaihtaa valmistajalta tai hänen valtuuttamaltaan huoltoyhtiöltä saatavaan kaapeliin/johtoon. Vain valmistaja tai tämän huoltoedustaja tai vastaava pätevä henkilö saa vaihtaa tämän valaisimen sisältämän valonlähteen. Mikäli kyseessä on PVC-eristetty kaapeli, asentajan tulee sijoittaa koko kaapeli valaisimen ja/tai pylvään sisään. Näin varmistetaan, että kaapeli on suojattu sääolosuhteita, erityisesti auringon säteilyä ja sadetta, vastaan. Seinään asennettavat tai säädettävät valaisimet, joissa on ulkoinen, taipuisa ja yli 30 cm pitkä kaapeli, tulee asentaa kosketusetäisyydellä ulkupuolelle. Mikäli kyseessä on riskiryhmän 2 tuote, valaisin tulee asettaa niin, että valaisimen valonlähde ei osoita suoraan silmään pitkäkestoisesti asennusohjeessa mainittua etäisyyttä. Valaisimessa on peruseristys pienjännitesyötön ja ohjausjohtimien välillä. Mikäli mukana ei toimiteta riviiliintä, vain ammattiasentaja saa suorittaa asennuksen. Tämä tuote sisältää energiatehokkuusluokan valonlähteen: katso taulukko tai etiketti.

DK Opbevaring, installation, brug, betjening og vedligeholdelse af produkterne må kun udføres ifølge instruktionerne i monteringsvejledningen som kommer med produkt og/eller andre instruktioner givet af os for at garantere sikker brug af produktet i hele dets levetid. Hvis disse instruktioner ikke følges, bortfalder produktgarantien. Bolte/skruer med angivet spændingsmoment på tegningen skal spændes med en kalibreret momentnøgle. Færdigsamlde bolte/skruer skal efterspændes i henhold til det specificerede moment for at sikre maksimal fastgørelse i hele produktets levetid. Bliver det nødvendigt at udskifte komponenter, skal disse komponenter udskiftes til nøjagtigt samme type og model (eller alternativt efter Signify's anvisninger) Signify kan ikke garantere at udskitning til komponenter fra andre leverandere, at armatur og komponenter vil forblive i overensstemmelse med gældende normer , regulatorer og standarder. Positionen af ledningsrøringen må ikke blive ændret. Hvis et fleksibelt kabel eller ledning som er leveret med dette armatur og er beskadiget, skal det udskiftes til et specielt kabel eller ledning som er eksklusivt tilgængeligt fra leverandøren eller dennes service-agent. Lyskilden i dette armatur må kun udskiftes af producenten eller dennes serviceagent eller en tilsvarende kvalificeret person. For PVC-isoleret kabel, installatøren skal sikre at hele kablet er beskyttet mod vejr-førdet specielt UV-stråling og regn/vand, ved at kablet er indvendigt i armaturet/masten. Vægmonterede eller justerbare armaturer som anvendes med et fleksibelt kabel længere end 30cm skal installeres udenfor rækkevidde. Fotobiologisk risikogrupper 2 - armaturer skal monteres så skade ved at stirre ind i armaturet ved en afstand angivet i monteringsanvisningen ikke vil opstå. Armaturet har grundlæggende isolering mellem lavspændingsforsyning og styreledere. Hvis tilslutningsklemmer ikke er inkluderet, skal installationen udføres af en kvalificeret person. Dette produkt indeholder en lyskilde af energieffektivitetsklasse: se tabel eller etiket.

CZ Skladování, instalace, používání, provoz a údržba produktů musí být prováděny přesně podle pokynů v montážním návodu k produktu a/nebo jiných pokynů, které můžou být vydány naší společností, abychom zaručili bezpečné používání produktu po celou dobu jeho životnosti. Nedodržení těchto pokynů zanáka nárok na záruku. Šrouby s vyznačením utahovacího momentu na výkresu je třeba utáhnout pomocí kalibrovaného momentového klíče. Předinstalované šrouby je třeba znovu utáhnout na požadovaný utahovací moment, aby byla zajištěna maximální pevnost po celou dobu životnosti. Pokud je nutné vyměnit elektrické součásti, měly by být vyměněny za přesně stejny typ a model (nebo podle doporučení společnosti Signify). Signify nemůže zaručit, že při změně na komponenty jiných výrobců zůstane výrobek v souladu s normami a předpisy. Pozice kabeláže by se neměla změnit. Pokud je s tímto svítidlem dodán externí flexibilní napájecí kabel, který je poškozena, musí být nahrazen speciálním kabelem, který je k dispozici výhradně u výrobce nebo jeho servisního zástupce. Světelný zdroj obsažený v tomto svítidle smí vyměnit pouze výrobce nebo jeho servisní zástupce nebo podobně kvalifikovaná osoba. V případě kabelu s PVC izolací musí instalační technik zajistit, aby byl celý kabel chráněn před povětrnostními vlivy, zejména UV zářením a deštěm, tím, že kabel uloží uvnitř svítidla a/nebo sloupu. Nástěnná nebo nastavitelná svítidla napájená pomocí externího flexibilního kabelu, delšího než 30 cm, se instalují mimo dosah neoprávněné osoby. V případě výrobků rizikové skupiny 2, by svítidlo mělo být umístěno tak, aby se neočekávalo dlouhodobé divání do svítidla ze vzdálenosti uvedené v montážním návodu. Svítidlo má základní izolaci mezi Nízkonapěťovým napájecím a ovládacím vodičem. Pokud svorkovnice není součástí dodávky, musí instalaci provést kvalifikovaná osoba. Tento výrobek obsahuje světelný zdroj třídy energetické účinnosti: viz tabulka nebo štítek.

PL Przechowywanie, instalacja, użytkowanie, obsługa i konserwacja produktów muszą być wykonywane dokładnie według instrukcji zawartych w instrukcji montażu dołączonej do produktu i/lub innych instrukcji dostarczonych przez nas, aby zagwarantować bezpieczne użytkowanie produktu przez cały okres jego użytkowania. Niezastosowanie się do tych instrukcji spowoduje utratę prawa do gwarancji. Wkręty oznaczone momentem obrotowym na rysunku należy dokręcać kalibrowanym kluczem dynamometrycznym. Wstępnie zmontowane wkręty należy ponownie dokręcić wymaganym momentem obrotowym, aby zapewnić maksymalną wytrzymałość przez cały okres użytkowania. Jeśli konieczna jest wymiana komponentów elektrycznych, należy je wymienić na dokładnie ten sam typ i model (lub alternatywnie zalecony przez Signify). Signify nie może zapewnić, że po zastosowaniu komponentów innych producentów produkt pozostanie zgodny z normami i przepisami. Nie należy zmieniać położenia okablowania. Jeżeli do oprawy dołączony jest zewnętrzny elastyczny kabel lub przewód, który ulegnie uszkodzeniu, należy go wymienić na specjalny kabel lub przewód dostępny wyłącznie u producenta lub jego przedstawiciela serwisowego. Źródło światła zawarte w tej oprawie może wymienić wyłącznie producent, jego przedstawiciel serwisowy lub osoba o podobnych kwalifikacjach. W przypadku kabla w izolacji PVC instalator musi zapewnić, że cały kabel będzie chroniony przed warunkami atmosferycznymi, zwłaszcza promieniowaniem UV i deszczem, poprzez umieszczenie kabla wewnątrz oprawy i/lub słupa. Oprawy nasienne lub nastawne podłączone za pomocą zewnętrznego elastycznego przewodu dłuższego niż 30 cm należy instalować poza zasięgiem ręki. W przypadku produktów z grupy ryzyka 2 oprawy należy ustawić w taki sposób, aby nie było możliwości długotrwalego wpatrywania się w oprawę z odległości wskazanej w instrukcji montażu. Oprawa posiada podstawową izolację pomiędzy przewodami zasilającymi niskiego napięcia i sterującymi. Jeżeli listwa zaciskowa nie jest dołączona do zestawu, instalację musi wykonać wykwalifikowana osoba. Ten produkt zawiera źródło światła o klasie efektywności energetycznej: patrz tabela lub etykieta.

RO Depozitarea, instalarea, utilizarea, operarea și întreținerea produselor trebuie efectuate exact în conformitate cu instrucțiunile din instrucțiunile de montare împreună cu produsul și/sau alte instrucțiuni care pot fi furnizate de noi pentru a garanta utilizarea în siguranță a produsului pe toată durata sa de viață. Nerespectarea acestor instrucțiuni va anula dreptul dumneavoastră la garanție. Șuruburile cu indicarea rezistenței cupului pe desen trebuie strânse folosind o cheie dinamometrică calibrată. Șuruburile pre-asamblate trebuie strânse din nou la specificația de cuplu necesară pentru a asigura rezistența maximă pe toată durata de viață. Dacă este necesar să schimbați componentele electrice, acestea ar trebui schimbate cu exact aceiași tip și model (sau conform recomandărilor de către Signify). Signify nu poate asigura că, prin schimbarea în componente ale altor producători, produsul va rămâne în conformitate cu normele și reglementările. Poziția cablajului nu trebuie schimbată. Dacă un cablu sau un cablu extern flexibil este furnizat împreună cu acest corp de iluminat și este deteriorat, acesta va fi înlocuit cu un cablu sau un cablu special disponibil exclusiv de la producător sau de la agentul său de service. Sursa de lumină conținută în acest corp de iluminat poate fi înlocuită numai de producător sau de agentul său de service sau de o persoană calificată similară. În cazul cablului izolat cu PVC, instalatorul trebuie să se asigure că întregul cablu este protejat împotriva condițiilor meteorologice, în special UV și ploaie, prin reținerea de cablu în interiorul corpului de iluminat și/sau stâlp. Corpurile de iluminat montate pe perete sau reglabile care utilizează un cablu extern flexibil mai lung de 30 cm trebuie instalate în afara razei de acțiune a mainilor/brațelor. În cazul produselor din grupa de risc 2, corpul de iluminat trebuie poziționat astfel încât să nu fie posibilă o privire prelungită în sursa corpului de iluminat de la distanța indicată în instrucțiunile de montare. Corpul de iluminat are izolație de bază între conductori de alimentare și de control de joasă tensiune. Dacă blocul de borne nu este inclus, instalarea trebuie efectuată de o persoană calificată. Acest produs conține o sursă de lumină din clasa de eficiență energetică: vezi tabel sau etichetă.

LV Produktu uzglabāšana, uzstādīšana, lietošana, ekspluatācija un apkope jāveic precīzi saskaņā ar norādījumiem montāžas instrukcijā kopā ar produktu un/vai citām instrukcijām, ko varam sniegt, lai garantētu produkta drošu lietošanu visā tā kalpošanas laikā. Šo norādījumu neievērošana padarīs nederīgas jūsu tiesības uz garantiju. Skrūves ar norādi par griezes momenta stipriņu uz rasējuma ir jāpievelk, izmantojot kalibrētu griezes momenta uzgriežņu atslēgu. Iepriekš samontētās bulskrūves jāatgriež atpakaļ vajadzīgajai griezes momenta specifikācijai, lai nodrošinātu maksimālo stipriņu visā kalpošanas laikā. Ja nepieciešams, isamainīt elektriskos komponentus, tie jāmaina pret vienu un to pašu tipu un modeli (vai, kā to alternatīvi iesaka Signify). Signify nevar garantēt, ka, samainot uz citu ražotāju sastādāmajam, produkts paliks atbilstošs normām un noteikumiem. Vadu savienojumu pozīciju nedrīkst mainīt. Ja šim gaismeiklī ir komplekta piegādātais ārējais elastīgais kabelis vai vads, tiek sabojāts, to nomaina pret speciālu kabeli vai vadu, kas pieejams tikai no ražotāja vai tā servisa aģenta. Šajā gaismeiklī esošo gaismas avotu nomaina tikai ražotājs vai tā servisa aģents, vai līdzīga kvalificēta persona. Ja kabelis ir izolēts ar PVC, instalētājam jāpārliecinās, ka kabelis ir pilnībā aizsargāts pret laika apstākļiem, jo īpaši UV un lietu, kabeli ievietojoš gaismeiklī un/vai stabā. Pie sienas piestiprināmi vai regulējami gaismeiklī, kuros izmanto ārēju elastīgu kabeli, kas garāks par 30 cm, jāuzstāda ārpus rokas. 2 Riska grupas produktu gadījumā gaismeiklīs jānovieto tā, lai nebūtu gaidāma ilgstoša lūkošanās gaismeiklī no attāluma, kas norādīts montāžas instrukcijā. Gaismeiklī ir pamatizolācija starp zemsprieguma padevi un vadības vadiem. Ja termināļa bloks nav iekļauts, uzstādīšana jāveic kvalificētai personai. Šis produkts satur sekojošās energoefektivitātes klases gaismas avotu: sk. tabulu vai etiķeti.

HU A termék tárolását, telepítését, használatát, üzemeltetését és karbantartását pontosan az eredeti típusnak és modellnek megfelelő, vagy a Signify által javasolt alternatíva használatára kötelező. Signify nem tudja garantálni, hogy más gyártók által gyártott alkatrészekre való áttérés esetén a termék megfelel az előírásoknak és szabályozásoknak. A vezetékek helyzete nem változtatható meg. Amennyiben a lámpatesthez tartozó külső rugalmas kábel vagy vezeték sérül, azt kizárólag a gyártó vagy annak szerviz képviselője által kínált speciális kábelrel vagy vezetékkel kell pótolni. A lámpatestben lévő fényforrást csak a gyártó vagy szervizkiszolgálója, vagy hasonló képesítésű személy cserélheti ki. PVC szigetelésű kábelnek esetén az installálónak gondoskodnia kell arról, hogy a kábel teljes hosszában védve legyen az időjárási hatások, mint az UV sugárzás és az eső ellen, úgy, hogy a kábel a lámpatestben és/vagy oszlopon belül helyezze el. A 30 cm-nél hosszabb külső rugalmas kábelrel ellátott falra szerelhető vagy állítható lámpatesteket úgy kell felszerelni, hogy azok ne legyenek közvetlenül elérhetőek. A 2-es kockázati csoportba sorolt termék esetében a lámpatestet úgy kell elhelyezni, hogy az abba való hosszú ideig tartó nézés ne legyen lehetséges a szerelési útmutatóban meghatározott távolságból. A lámpatest alapvető szigeteléssel rendelkezik a kifizetésű táp- és vezérlővezetékek között. Amennyiben a csatlakozóblokk nem része a terméknek, a telepítést csak képzett szakember végezheti. Ez a termék energiateljesítményi osztályú fényforrást tartalmaz: lásd a táblázatot vagy a címkét.

BG Съхранението, инсталирането, използването, експлоатацията и поддръжката на продуктите трябва да се извършват точно в съответствие с инструкциите в инструкцията за монтаж на продукта и/или други инструкции, които могат да бъдат предоставени от нас, за да се гарантира безопасното използване на продукта през целия експлоатационен срок. Неспазването на тези инструкции ще анулира вратото ви на гаранция. Болтовете с обозначение на силата на въртящия момент на чертежа трябва да бъдат затегнати с помощта на калибриран динамометричен ключ. Предварително сглобените болтове трябва да бъдат затегнати отново до изискваната спецификация на въртящия момент, за да се осигури максимална здравина през целия живот. Ако е необходимо да се сменят електрически компоненти, те трябва да бъдат сменени с абсолютно същия тип и модел (или както алтернативно се препоръчва от Signify). Signify не може да гарантира, че при промяна на компоненти на други производители, продуктът ще остане в съответствие с нормите и разпоредбите. Начина на окабеляването не трябва да се променя. Ако външен гъвкав кабел е доставен с това осветително тяло и е повреден, той трябва да бъде заменен със специален кабел, доставен от производителя или негов сервизен агент. Източникът на светлина, съдържащ се в това осветително тяло, трябва да се заменя само от производителя или негов сервизен агент или лице с подобна квалификация. В случай на кабел с PVC изолация, монтажникът трябва да гарантира, че целият кабел е защитен от атмосферни условия, особено UV и дъжд, като държи кабела вътре в осветителното тяло и/или стълб. Монтирани на стена или регулируемите осветителни тела, използващи външен гъвкав кабел, по-дълъг от 30 см, трябва да се монтират извън обсега на ръката на човек. В случай на продукти от рискова група 2, осветителното тяло трябва да бъде разположено така, че да не се очаква продължително виждане в осветителното тяло на разстояние, както е посочено в инструкцията за монтаж. Осветителното тяло има основна изолация между захранващия проводник за ниско напрежение и управляващия проводник. Ако клеморедът не е част от комплекта, инсталирането трябва да се извърши от квалифицирано лице. Този продукт съдържа източник на светлина от клас на енергийна ефективност: вижте таблицата или етикета.

- EE** Toodete ladustamine, paigaldamine, kasutamine, käitamine ja hooldamine peab toimuma täpselt vastavalt tootega kaasas oleva paigaldusjuhendi ja/või muude meie poolt antud juhiste kohaselt, et tagada toote ohutu kasutamine kogu selle kasutusaja jooksul. Nende juhiste eiramine muudab teie garantiidõiguse kehtetuks. Põlvid, millel on joonisel märgitud pöördemomendi tugevus, tuleb pingutada kalibreeritud pöördemomendi võtmega. Eelnevalt kokku pandud põlvide tuleb uuesti pingutada nõutava pöördemomendiga, et tagada maksimaalne tugevus kogu eluea jooksul. Kui on vaja vahetada elektrilisi komponente, tuleb need vahetada täpselt sama tüüpi ja sama mudeliga (või vastavalt Signify soovistele). Signify ei saa garanteerida, et teiste tootjate komponentide vastu vahetades jääb toode nõrkedele ja eeskirjadele vastavaks. Juhtmete asukohta ei tohi muuta. Kui selle valgustiga on kaasas paindub väliskaabel või -juhe, on kahjustatud, tuleb see asendada spetsiaalse kaabli või juhtmega, mis on saadaval ainult tootjalt või tema teenindusagentuurilt. Selles valgustus sisalduva valgusallika võib välja vahetada ainult tootja või tema teenindusagent või samalaadse kvalifikatsiooniga isik. PVC-isoleeritud kaabli puhul peab paigaldaja tagama, et kogu kaabel on kaitstud ilmastikutingimuste, eriti UV-kiirguse ja vihma eest, paigutades kaabli valgusti ja/või posti sisse. Seinale paigaldatavad või reguleeritavad valgustid, mis kasutavad välist painduvat kaablit, mis on pikem kui 30 cm, tuleb paigaldada väljaspool käeulatus. Riskirühma 2 toodete puhul tuleb valgusti paigutada nii, et paigaldusjuhendis näidatud kauguselt ei ole oodata pikemaajalist valgustisse vaatamist. Valgustil on madalpinge toite- ja juhtjuhtmete vaheline põhiisolatsioon. Kui klemmiplokk ei ole kaasas, peab paigaldamise teostama kvalifitseeritud isik. See toode sisaldab energiatõhususe klassi valgusallikak: te tabelit või etteikti.
- LT** Gaminčius reikia laikyti, montuoti, naudoti, eksploatuoti ir prižiūrėti tiksliai laikantis montavimo instrukcijų kartu su gaminiu pateiktų nurodymų ir (arba) kitų mūsų pateiktų nurodymų, kad būtų užtikrintas saugus gaminių naudojimas visą jo naudojimo laiką. Jei nesilaikysite šių instrukcijų, neteksite teisės į garantiją. Varžtus, kurių brėžinyje nurodytas sukimo momento stiprumas, reikia priveržti kalibroantu dinamometrinu raktu. Iš anksto sumontuotus varžtus reikia dar kartą priveržti pagal reikiamą sukimo momento specifikaciją, kad būtų užtikrintas maksimalus stiprumas per visą eksploatavimo laiką. Jei reikia pakeisti elektrinius komponentus, jie turi būti keičiami į lygiai tokio paties tipo ir modelio (arba kaip pataria „Signify“). „Signify“ negali užtikrinti, kad pakeitus gaminių kitų gamintojų komponentais, jis ir toliau atitiktis normoms ir reglamentus. Negalima keisti laidų padėties. Jei su šiuo šviestuvu tiekiamas išorinis lankstus kabelis arba laidas yra pažeistas, jis turi būti pakeistas specialiu kabeliu arba laidu, kurį galima įsigyti tik iš gamintojo arba jo techninės priežiūros atstovo. Šiame šviestuve esantį šviesos šaltinį gali pakeisti tik gamintojas, jo aptarnavimo atstovas arba panašią kvalifikaciją turintis asmuo. Jei kabelis yra su PVC izoliacija, montuotojas turi užtikrinti, kad visas kabelis būtų apsaugotas nuo oro sąlygų, ypač nuo ultravioletinių spindulių ir lietaus, laikydamas kabelį šviestuvo ir (arba) stulpo viduje. Ant sienos montuojamas arba reguliuojamas šviestuvus, naudojančius ilgesnį nei 30 cm išorinį lankstųjį kabelį, reikia montuoti nepasiekiamoje vietoje. Jei tai yra 2 rizikos grupės gaminiai, šviestuvus turi būti pastatyti taip, kad nebūtų tikėtinas ilgalaikis žiūrėjimas į šviestuvą tokiu atstumu, kaip nurodyta montavimo instrukcijoje. Šviestuvus turi pagrindinę izoliaciją tarp žemos įtampos maininio ir valdymo laidininkų. Jei gnybtų blokas nepridėtas, montavimo darbus turi atlikti kvalifikuotas asmuo. Šiame gaminyje yra šviesos šaltinis, kurio energijos vartojimo efektyvumo klasė: žr. lentelę arba etiketę.
- HR** Skladištenje, instalacija, uporaba, rad i održavanje proizvođa mora ju izvoditi točno u skladu s uputama u uputama za montažu uz proizvođa ili drugim dostavljenim uputama kako bismo zajamčili sigurnu uporabu proizvoda tijekom cijelog životnog vijeka. Nepridržavanje ovih uputa poništiti će vaše pravo na jamstvo. Vijke s naznačenom snagom momenta učvršćivanje na crtežu potrebno je zategnuti pomoću kalibriranog moment ključa. Unaprijed montirane vijke potrebno je ponovno zategnuti prema specifikaciji potrebnog momenta kako bi se osigurala maksimalna čvrstoća tijekom životnog vijeka. Ako je potrebno zamijeniti električne komponente, treba ih zamijeniti istim tipom i modelom (ili prema savjetu Signifyja). Signify ne može jamčiti da će proizvod s komponentama zamijenjenim komponentama drugih proizvođača ostati u skladu s normama i propisima. Način ožičenja ne smije se mijenjati. Ako je vanjski savitljivi kabel ili kabel isporučen s ovom svjetiljkom i oštećen je, treba ga zamijeniti posebnim kablom ili kablom koji je dostupan isključivo od proizvođača ili njegovog servisnog agenta. Izvor svjetlosti koji se nalazi u ovoj svjetiljki smije zamijeniti samo proizvođač ili njegov serviser ili slična kvalificirana osoba. U slučaju kabela s PVC izolacijom, instalater mora osigurati da je cijeli kabel zaštićen od vremenskih uvjeta, posebno UV zraka i kiše, tako da se kabel drži unutar svjetiljke i/ili stupa. Zidne ili pedesive svjetiljke koje koriste vanjski savitljivi kabel dužini od 30 cm moraju se postaviti izvan dohvata ruke. U slučaju proizvoda fotoblioelektne rizične skupine 2, svjetiljku treba postaviti tako da se ne očekuje dulgotrajno gledanje u rasvjetno tijelo na udaljenosti kako je naznačeno u uputama za montažu. Svjetiljka ima osnovnu izolaciju između niskonaponskog napojnog i upravljačkog vodiča. Ako priključni blok nije uključen, instalaciju mora izvršiti kvalificirana osoba. Ovaj proizvod sadrži izvor svjetla klase energetske učinkovitosti: pogledajte tablicu ili naljepnicu.
- SL** Skladiščenje, namestitve, uporaba, delovanje in vzdrževanje izdelkov je treba izvajati natančno v skladu z navodili za montažo in/ali druga navodila, ki jih lahko zagotovimo, da zagotovimo varno uporabo izdelka skozi celotno življenjsko dobo. Neupoštevanje teh navodil bo razveljavilo vašo pravico do garancije. Vijake z navedbo navora na risbi je treba zategniti s kalibriranim momentnim ključem. Vnaprej sestavljene vijake je treba ponovno zategniti do zahtevane specifikacije navora, da se zagotovi dovoljna trdnost v življenjski dobi. Če je treba zamenjati električne komponente, jih je treba zamenjati s popolnoma enakim tipom in modelom (ali kot alternativno svetle Signify). Signify ne more zagotoviti, da bo izdelek ob zamenjavi komponent drugih proizvajalcev ostal v skladu z normami in predpisi. Položaj napeljav se ne sme spreminjati. Če je zunanji gibljivi kabel ali kabel priložen tej svetilki in je poškodovan, ga je treba zamenjati s posebnim kablom ali kablom, ki je na voljo izključno pri proizvajalcu ali njegovem serviserju. Svetlobni vir v tej svetilki sme zamenjati samo proizvajalec ali njegov serviser ali podobno usposobljena oseba. V primeru kabela s PVC izolacijo mora instalater zagotoviti, da je celoten kabel zaščiten pred vremenskimi vplivi, zlasti UV in dežjem, tako da je kabel v notranjosti svetilke in/ali droga. Stenske ali navpične svetilke z zunanjim gibljivim kablom, daljšim od 30 cm, je treba namestiti zunaj dosega roke. V primeru izdelkov skupine tveganja 2 mora biti svetilka nameščena tako, da ni pričakovati dolgotrajnega strmenja v svetilko z razdalje, kot je navedeno v navodilih za montažo. Svetilka ima osnovno izolacijo med nizkonapetostnimi napajalnimi in krmilnimi vodniki. Če priključni blok ni vključen, mora namestitve opraviti usposobljena oseba. Ta izdelek vsebuje svetlobni vir razreda energetske učinkovitosti: gle tabelo ali oznako.
- SK** Ukladenie, inštalácia, používanie, prevádzkovanie a údržba produktov je potrebné vykonať v presnom súlade s inštrukciami v montážnom návode pri produkte a/alebo inými inštrukciami, ktoré môžu byť nami poskytnuté pre zabezpečenie bezpečného užívania produktu počas celej životnosti. Nedodržanie týchto inštrukcií zneplatní nárok na záruku. Skrutky s naznačeným ťahovacím momentom na nákrese, musia byť ťiahnuté kalibrovaným momentovým kľúčom. Predmontované skrutky musia byť znova ťiahnuté špecifikovaným momentom pre zabezpečenie maximálnej sily v priebehu času. Ak je potrebné vymeniť elektrické komponenty, mali by byť vymenené za úplne rovnaký typ a model (alebo alternativu odporúčanú Signify). Signify nemôže zaručiť, že výmenou za komponent od iného výrobcu, produkt ostane v súlade s normami a nariadeniami. Pozícia prekáblovania by sa nemala meniť. Ak externý ohybný kábel je súčasťou dodávky svetidla a poškodí sa, mal by byť vymený špeciálnym káblom exkluzívne dostupným u výrobcu alebo obchodného zástupcu. Svetelný zdroj obsiahnutý v tomto svetidle môže vymeniť iba výrobca alebo jeho servisný zástupca alebo podobne kvalifikovaná osoba. V prípade PVC izolácie kábla, montážnik musí zabezpečiť, že celý kábel je chránený pred poveternostnými podmienkami, špeciálne pred UV žiarením a dažďom, umiestnením kábla do svetidla a/alebo do stĺpu. Nástenné alebo nastaviteľné svetidlá používajúce externý ohybný kábel dlhší ako 30cm majú byť namontované mimo dosahu rúk. V prípade rizikovej skupiny (RG2) svetidla by nemalo byť umiestnené tak, aby dlhší pohľad do svetidla z diaľky, tak ako je naznačené v montážnom návode, nie je očakávané. Svetidlo má základnú izoláciu medzi niskonapäťovým napájacím a ovládacím vodičom. Ak ukončovaci blok nie je priložený, inštaláciu musí zabezpečiť kvalifikovaná osoba. Tento výrobok obsahuje svetelný zdroj tretej triedy energetickej účinnosti: pozri tabuľku alebo štítok.
- NO** Oppbevaring, montering, bruk, drift og vedlikehold av produktene må utføres nøyaktig i samsvar med instruksjonene i monteringsanvisningen som medfølger produktet og/eller andre instruksjoner vi måtte gi for å garantere sikker bruk av produktet i hele dets levetid. Hvis instruksjonene ikke følges, bortfaller garantien. Bolter med angivelse av dreiemoment på tegningen må strammes med en kalibrert momentnøkkel. Ferdigmonterte bolter må strammes på nytt til påkrevet dreiemoment for å sikre maksimal styrke i hele produktets levetid. Hvis det er nødvendig å bytte elektriske komponenter, skal de byttes til eksakt samme type og modell (eller et alternativ som er anbefalt av Signify). Hvis det byttes til komponenter fra andre produsenter, kan ikke Signify garantere at produktet vil forbli i samsvar med normer og forskrifter. Ledningenes posisjon må ikke endres. Hvis en ekstern fleksibel kabel eller ledning som følger med armaturen er ødelagt, må den erstattes av en spesiell kabel eller ledning eksklusivt tilgjengelig fra produsenten eller agenten. Lyskilden i denne armaturen skal kun skiftes ut av produsenten eller dennes servicerepresentant eller en tilsvarende kvalifisert person. I tilfeller med PVC-isolert kabel må installatøren sørge for at hele kableten er beskyttet mot værforhold, spesielt UV og regn, ved å holde kableten inne i armatur og/eller stolpe. Veggmontert eller justerbare armaturer som bruker ekstern fleksibel kabel lenger enn 30 cm må installeres utenfor rekkevidde. Ved risikogruppe 2 produkter bør armaturen plasseres slik at det ikke kan forventes langvarig stråling inn på armaturen fra avstand som antydde i monteringsanvisningen. Armatur har grunnleggende isolasjon mellom lavspenningsforsyning og styreledere. Hvis rekkelemme ikke er inkludert må installasjonen utføres av en kvalifisert person. Dette produktet inneholder en lyskilde i energieffektivitetsklasse: se tabell eller etikett.
- TR** Ürünlerin saklanması, kurulumu, kullanımı, çalıştırılması ve bakımı, ürünün kullanım ömrü boyunca güvenli kullanımını sağlanmasını amaçıyla tam olarak ürünle birlikte gelen kılavuzta ve/veya tarafımızdan sağlanan diğer talimatlarla uygun biçimde gerçekleştirilmelidir. Söz konusu talimatlarla uyulmaması, ürünle ilgili garanti hakkınızı geçersiz kılar. Teknik çizimde yanında sıkma torqu değeri belirtilen civatalar kalibre edilmiş bir tork anahtar kullanılarak sıkılmalıdır. Önceden takılmış olarak gelen civataların da belirtilen tork değeri uygun biçimde yeniden sıkılması, kullanım ömrü boyunca maksimum dayanıklılığın sağlanması açısından önemlidir. Elektrikli bileşenleri değiştirirken gerektirilen, bu bileşenler tam olarak aynı tip ve modelde (veya alternatif olarak Signify tarafından tavsiye edilmiş şekilde) değiştirilmelidir. Signify, diğer üreticilerin bileşenleri kullanılan ürünün standart ve yönetmeliklere uygun kalacağına garanti edemez. Kablolama konumu değiştirilmelidir. Bu armatürde birlikte harici bir esnek harici vey kordon verilirse ve hasar görürse, yalnızca üreticiden veya üreticinin servis acentesinden temin edilebilen özel bir kablo veya kordon ile değiştirilmelidir. Bu armatürde bulunan ışık kaynağı yalnızca üretici ya da üreticinin servis acentesi veya benzer kalifiye bir kişi tarafından değiştirilmelidir. PVC izoleli kablo olması durumunda, kurulumu yapan kimse, kabloyu armatür ve/veya direğin içinde tutarak tüm kablounun hava koşullarına, özellikle UV ve yağmura karşı korunmasını sağlamalıdır. 30 cm'den daha uzun harici esnek bir kablo kullanımda duvara monte veya ayarlanabilir armatürler, kolların erşiminin dışına monte edilmelidir. Risk grubu 2 ürünler söz konusu olduğunda, armatürün içinde doğrudan uzun süreli bakışın, kurulum kılavuzunda belirtilen mesafede olması beklenmemektedir. Armatür, Alçak Gerilim beslemesi ve kontrol iiletkenleri arasında temel izolasyona sahiptir. Terminal bloğu dahil değilse, kurulum kalifiye bir kişi tarafından yapılmalıdır. Bu ürün, enerji verimliliği sınıfına sahip bir ışık kaynağı içerir: tabloya vey etikete bakın.
- RU** Хранение, монтаж, эксплуатация и обслуживание изделий необходимо осуществлять в соответствии с инструкциям, приведенными в инструкции монтажа, идущей в комплекте с изделием и/или другими инструкциями, которые могут быть предоставлены с нашей стороны для обеспечения безопасной эксплуатации изделий на протяжении всего их срока службы. Несоблюдение этих инструкций приведет к потере прав на гарантию. Болты, для которых на чертеже указан крутящий момент, необходимо затягивать калиброванным динамометрическим ключом. Для обеспечения максимальной прочности изделия в течение всего срока службы болты, завинченные в ходе предварительной сборки, необходимо подтянуть до указанного момента. В случае необходимости замены электрических компонентов, они должны быть заменены на точно такой же тип и модель (или альтернативные, предложенные компанией Signify). Signify не может гарантировать, что замена на компоненты других производителей позволит продукту продолжать соответствовать стандартам и нормам. Размещение и позиция проводов не должна быть изменена. Если внешний кабель или провод, поставляемый с осветильником, поврежден, он должен быть заменен специальным кабелем или проводом доступным исключительно у производителя или его сервисного агента. Источник света, содержащийся в этом светильнике, должен быть заменен только производителем, его сервисным агентом или аналогичным квалифицированным лицом. В случае использования изолированного ПВХ кабеля, монтажная организация должна удостовериться что весь кабель защищен от воздействия погоды, особенно УФ и дождя, размещая кабель внутри светильника и/или опоры. Монтруемые на стену или направляемые светильники, в которых используется внешний кабель длиннее 30 см, должны быть установлены за пределами зоны доступа крошечной. В случае изделий с группой риска 2, светильник должен быть установлен таким образом, чтобы продолжительный зрительный контакт со светящейся частью светильника на расстоянии, указанном в инструкции монтажа был невозможен. Светильник имеет базовую изоляцию между проводами питания низкого напряжения и проводами управления. В случае, если клеммный блок не в комплекте, монтаж должен быть осуществлен квалифицированным персоналом. Данное изделие содержит источник света с классом энергоэффективности: см. таблицу или этикетку.
- UA** Зберігання, кваліфікований, використання та обслуговування продукції має проводитись у точній відповідності до вказівок приведених у монтажній інструкції, яка йде в комплекті з продукцією, та/або інших інструкцій, які можуть бути надані з нашої сторони для забезпечення безпечної експлуатації продукції на протязі всього її терміну служби. Недотримання цих інструкцій призведе до втрати права на гарантію. Болти, із зазначенням сили затягування на кресленні, необхідно затягувати каліброваним динамометричним ключем. Для забезпечення максимальної міцності на протязі всього терміну служби, болти, які були загвинчені під час попередньої зборки, мають бути підтягнуті до заданого значення моменту. У разі необхідності заміни електричних компонент, вони мають бути замінені на точно такий же тип і модель (або альтернативні запропоновані компанією Signify). Signify не може гарантувати, що при заміні на компоненти інших виробників продукція залишатиметься відповідною нормам і правилам. Розташування електропроводки не має змінюватись. Якщо зовнішній гнучкий кабель або шнур, який постачається з цим світильником, пошкоджений, його слід замінити спеціальним кабелем або шнуром, який доступний виключно у виробника або його сервісного агента. Джерело світла, яке міститься в цьому світильнику, має замінюватись лише виробник, його агент з обслуговування або подібна кваліфікована особа. У разі використання кабелю з ПВХ-ізоляцією, монтажна організація повинна переконаатися, що весь кабель захищено від погодних умов, особливо від ультрафіолетового випромінювання та дощу, шляхом розміщення кабелю всередині світильника та/або опори. Настінні або направлені світильники, які використовують зовнішній гнучкий кабель довжиною понад 30 см, слід установлювати поза межами доступу крошечній. У випадку продуктів групи ризику 2, світильник слід розташувати так, щоб тривалий зоровий контакт з яскравою частинною світильника, розміщеною на відстані вказаній в монтажній інструкції, був унеможливлений. Світильник має базову ізоляцію між низьковольтними провідниками живлення та проводами керування. Якщо клемний блок не входить до комплекту, установку має виконувати кваліфікована особа. Цей продукт містить джерело світла класу енергоефективності: див. таблицю або етикетку.

BA Skladiščenje, namestitve, uporaba, delovanje in vzdrževanje izdelkov je treba izvajati natančno v skladu z navodili za montažo in/ali druga navodila, ki jih lahko zagotovimo, da zagotovimo varno uporabo izdelka skozi celotno življenjsko dobo. Neupoštevanje teh navodil bo razveljavilo vašo pravico do garancije. Vijake z navedbo navora na risbi je treba zategniti s kalibriranim momentnim ključem. Vnaprej sestavljene vijake je treba ponovno zategniti do zahtevane specifikacije navora, da se zagotovi dovoljšna trdnost v življenjski dobi. Če je treba zamenjati električne komponente, jih je treba zamenjati s popolnoma enakim tipom in modelom (ali kot alternativno svetuje Signify). Signify ne more zagotoviti, da bo izdelek ob zamenjavi komponent drugih proizvajalcev ostal v skladu z normami in predpisi. Položaj napeljave se ne sme spreminjati. Če je zunanji gibljivi kabel ali kabel priložen tej svetilki in je poškodovan, ga je treba zamenjati s posebnim kablom ali kablom, ki je na voljo izključno pri proizvajalcu ali njegovem serviserju. Svetlobni vir v tej svetilki sme zamenjati samo proizvajalec ali njegov serviser ali podobno usposobljena oseba. V primeru kabla s PVC izolacijo mora inštalater zagotoviti, da je celoten kabel zaščiten pred vremenskimi vplivi, zlasti UV in dežjem, tako da je kabel v notranjosti svetilke in/ali droga. Stenske ali nastavljive svetilke z zunanjim gibljivim kablom, daljšim od 30 cm, je treba namestiti zunaj dosega roke. V primeru izdelkov skupine tveganja 2 mora biti svetilka nameščena tako, da ni pričakovati dolgotrajnega strmenja v svetilko z razdalje, kot je navedeno v navodilih za montažo. Svetilka ima osnovno izolacijo med nizkonapetostnimi napajalnimi in krmilnimi vodniki. Če priključni blok ni vključen, mora namestitev opraviti usposobljena oseba. Ta izdelek vsebuje svetlobni vir razreda energijske učinkovitosti: glejte tabelo ali oznako.