



TeSys

> Control > Protect > Power > Active

Catalog 2026

Innovative and connected
solutions for motor starters



January, 2026

se.com/tesys

Schneider
Electric

Legal Information

The information provided in this Catalog contains description of Schneider Electric products, solutions and services ("Offer") with technical specifications and technical characteristics of the performance of the corresponding Offer.

The content of this document is subject to revision at any time without notice due to continued progress in methodology, design and manufacturing.

To the extent permitted by applicable law, no responsibility or liability is assumed by Schneider Electric and its subsidiaries for any type of damages arising out of or in connection with (i) informational content of this Catalog not conforming with or exceeding the technical specifications, or (ii) any error contained in this Catalog, or (iii) any use, decision, act or omission made or taken on basis of or in reliance on any information contained or referred to in this Catalog.

SCHNEIDER ELECTRIC MAKES NO WARRANTY OR REPRESENTATION OF ANY KIND, WHETHER EXPRESS OR IMPLIED, AS TO WHETHER THIS CATALOG OR ANY INFORMATION CONTAINED THEREIN SUCH AS PRODUCTS AND SERVICES WILL MEET REQUIREMENTS, EXPECTATIONS OR PURPOSE OF ANY PERSON MAKING USE THEREOF.

Schneider Electric brand and any trademarks of Schneider Electric and its subsidiaries referred to in this Catalog are property of Schneider Electric or its subsidiaries. All other brands are trademarks of their respective owners.

This Catalog and its content are protected under applicable copyright laws and provided for informative use only. No part of this Catalog may be reproduced or transmitted in any form or by any means (electronic, mechanical, photocopying, recording, or otherwise), for any purpose, without the prior written permission of Schneider Electric.

Copyright, intellectual, and all other proprietary rights in the content of this Catalog (including but not limited to software, audio, video, text, and photographs) rests with Schneider Electric or its licensors. All rights in such content not expressly granted herein are reserved. No rights of any kind are licensed or assigned or shall otherwise pass to persons accessing this information.

Trademarks

QR Code is a registered trademark of DENSO WAVE INCORPORATED in Japan and other countries.

Start smart. Run smart. With TeSys motor controls.



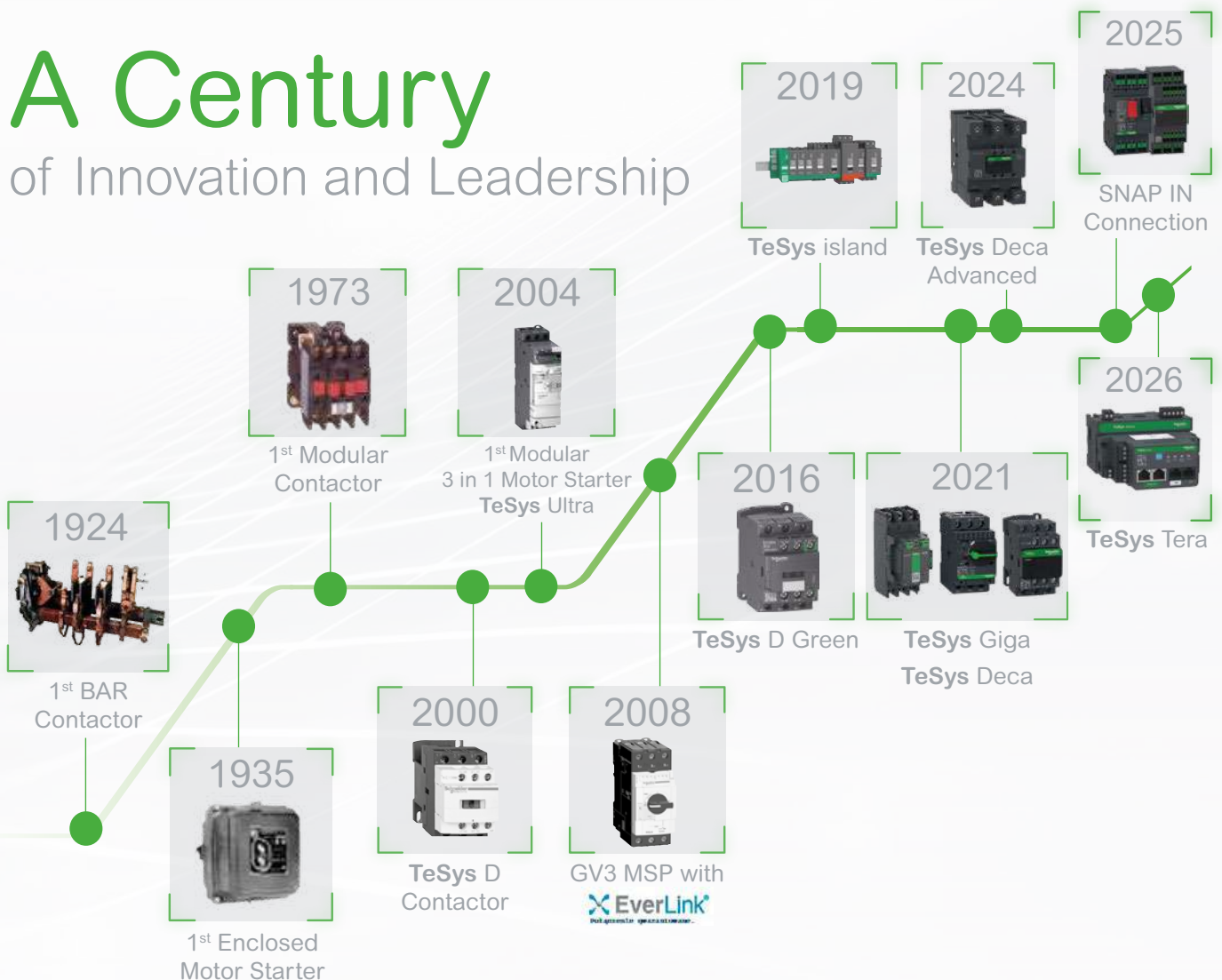
Stay smart with the world's best-selling motor control solutions from the inventor of the world's first contactor - Schneider Electric™.

For almost a century, TeSys motor controls have driven the industry with innovations in motor protection, monitoring, and control.

It started with the introduction of the industry's first BAR contactor in 1924, and today, the legacy of innovation is built into every TeSys motor control device.

Best-in-class robustness and reliability, plug-and-play architecture, and flexible functionality mean TeSys motor control solutions can meet your requirements across a wide range of applications, from the most common to the most advanced.

A Century of Innovation and Leadership



Superior safety for all industries

TeSys motor controls come with all of the isolation, protection and emergency handling you need to comply with international codes. High-contrast covers identify safety-critical devices to prevent inadvertent manual operation. Every TeSys contactor is both mechanically linked and equipped with mirror contacts for safety applications and wherever auxiliary contact state reliability is critical.



HVAC

Ensure 24/7 availability of your HVAC system with reliable products that can reach high ambient temperatures without derating.



Conveying

Decentralize the control cabinet of your conveyor line and benefit from up to 80% space reduction.



Genset

Make certain your generator starts even in the harshest conditions with robust TeSys solutions.



Pumping

Optimize single or multi-drive boosters for industry or infrastructure with energy and cost-effective solutions.



Packaging

Keep pace with the most demanding, high-end packing applications with solutions that can perform 30 million AC53a electrical cycles, like TeSys H.



Oil and Gas

Keep your employees and assets safe and improve uptime in onshore and offshore applications: pipeline operations: LNG and natural gas processing: and refining and petrochemical applications.



Water and Waste-water

Optimize the treatment and delivery of safer water by reducing energy usage and lowering operating costs.



Food and Beverage

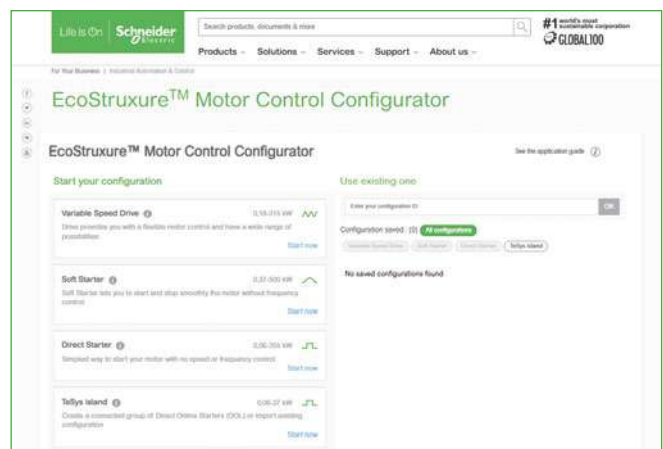
Serve your customers with environmentally friendly products to improve sustainability, efficiency, and flexibility, allowing you to adapt to changing customer habits.

Online selection tool

EcoStruxure™ Motor Control Configurator

For Direct-On-Line and Star-Delta starters, motor circuit breakers with advanced protection, motor management relays, configurations for total coordination, drives, and soft starters.

No matter what kind of starting method you need, our online EcoStruxure™ Motor Control Starter Configurator will help you to quickly and easily select the optimal combination of components to ensure maximized motor safety, protection, and uptime.



Scan or click on the QR code

Faster access with smart internal navigation

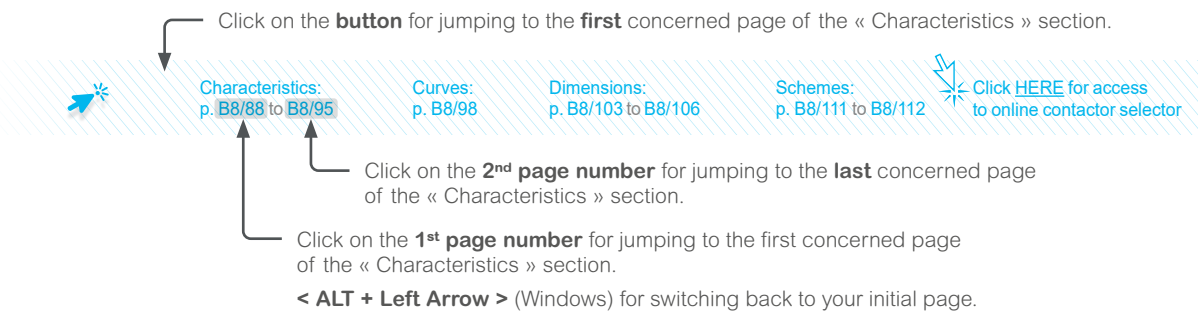
Save time. Stay focused. Navigate smarter with our internal navigation features - designed for professionals who value efficiency.

Why You'll love it

- Save Time: No more endless scrolling.
- Stay Focused: Keep your attention on critical data.
- Work Smarter: Navigate this complex catalog with ease.

Intuitive Navigation Bar - Access sections instantly from the top of the page:

- **Level 1:** Jump to the first page of your interest section with one click.
- **Level 2:** Fine-tune navigation by selecting first or last page for multi-page sections.
- **Quick Return:** Use ALT + Left Arrow (Windows) or Cmd + Left Arrow (Mac) for going back to your previous page.



TESYS FUNCTION NAMES

TeSys components are grouped by function name, for easier identification. These functions are related to motor, power, control and protection.

> TeSys Power:

Components for powering motors



> TeSys Control:

Components for controlling motors



> TeSys Protect:

Components for protecting motors



TeSys Active gathers the devices providing built-in communication with motor monitoring and control functions.

> TeSys Active:

Connected components for motor circuits



TeSys Deca Motor starter solution with SNAP IN connection

Simplicity It's so QUICK!

- Electrical connection under one second
- Up to 92% faster than traditional technologies

Simplicity It's so EASY!

- The world's first self-explanatory clamping technology. One hole, one pusher, one click.
- Solid and flexible wires with or without cable end can be connected without any tools.

Reliability It's so SECURE!

- Your peace of mind with every connection through, a clearly audible click and the pusher moves forwards.

Scalability READY-TO-ROBOT!

- The first motor circuit breaker and contactor suitable for fully automatic mounting and wiring.



Reliability General benefits

- Each connection has a testing point for diagnostics
- Maintenance-free clamping technology
- One-handed unwiring

Scalability Comprehensive solution!

- Up to 15 kW motor starter solution thanks to extensive accessories



Please refer to Chapter B12 for more details.

NEWS

New Coming TeSys Deca Advanced 115 A and 150 A Contactors

Reliability with efficiency and simplicity

TeSys Deca Advanced

One step further to a sustainable future

For decades, **TeSys Deca** has set the standard for reliable motor management, powering millions of motors and loads across more than 50 countries.

However, today's industries are facing new challenges: climate change, escalating energy costs, and constantly changing industrial standards. Our customers are under pressure to reduce operating costs, speed up engineering, and minimize complexity, all while adhering to stricter regulations.

TeSys Deca Advanced contactors are designed to meet these challenges head-on.



With new technologies and innovative architecture, this advanced series aims to simplify the customer journey from design to maintenance. Whether you're looking to streamline installation, increase operational efficiency, or boost reliability, **TeSys Deca Advanced** delivers.

In a world where efficiency and reliability are paramount, **TeSys Deca Advanced** stands out as a trusted partner for load management. Choose **TeSys Deca Advanced** to meet today's challenges and prepare for tomorrow's opportunities.

Key values and features



Easy selection

With only five wide-band coil references, the **TeSys Deca Advanced** contactors cover the entire voltage range from 24 to 500 V for both AC and DC applications. This streamlined selection process ensures you can quickly and easily find the right component for your needs, saving you time and reducing complexity in inventory management.



Compact & robust

The **TeSys Deca Advanced** contactors deliver top-tier performance, including robust durability and rigorous industrial environments withstand, within a compact footprint. This combination of performance and space-saving design allows for more flexibility in system layouts and applications.



Ready for digitalization

Designed for seamless integration, the **TeSys Deca Advanced** contactors offer BNE & BBE coil that can connect directly to a PLC without requiring additional interface relays for loads up to 80 A. This feature simplifies wiring, reduces installation time, leading to a more efficient system setup.



Superior Uptime

Reliability is a hallmark of the **TeSys Deca Advanced** series. The wide-band coil has high resistance to voltage surges which helps ensure high uptime, reducing the probability of unexpected downtime and associated costs.

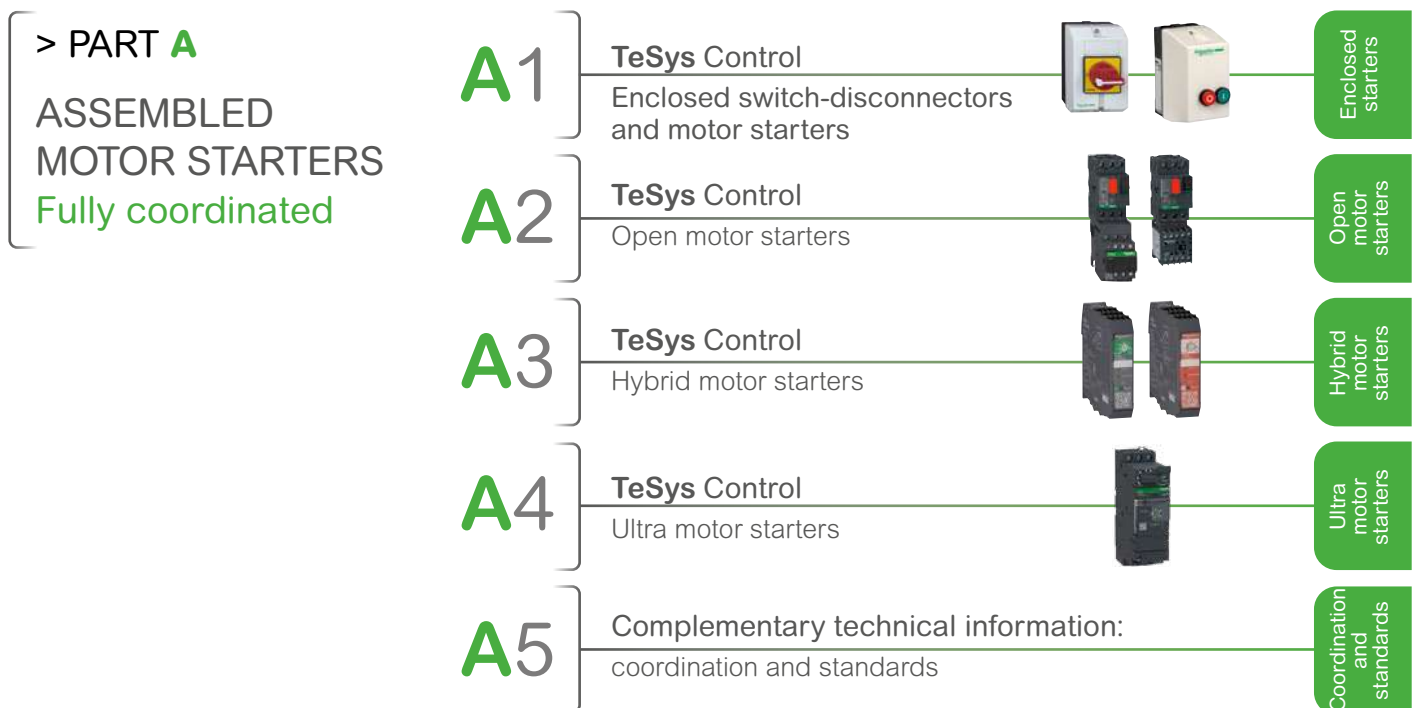


More sustainability

The low-consumption coil in the **TeSys Deca Advanced** contactors uses up to 80% less energy compared to traditional electromechanical contactors. This significant reduction in energy usage not only contributes to lower operating costs but also supports sustainability goals by reducing your overall carbon footprint.

TeSys is an innovative motor control and management solution from the global market leader. TeSys offers connected, efficient products and solutions for switching and protection of motors and electrical loads in compliance with all major global electrical standards.

> ARCHITECTURE of your TeSys catalogue



TeSys components are classified by function:

> TeSys Control

Components for controlling motors

> TeSys Protect

Components for protecting motors

> TeSys Power

Components for powering motors

> TeSys Active

Connected components for motor circuits

This PDF Catalog is updated twice a year. Please check on the link below that you are using the last version.

Ref. MKTED210011EN

> PART B**COMPONENTS**

for conventional solutions:

TeSys K series*(ex-TeSys K, LRK)*

- 0 to 16 A (AC-3)

TeSys Deca series*(ex-TeSys GV2, GV3, GV4, TeSys D, LRD, LR9D)*

- 9 to 150 A (AC-3)

TeSys Giga series*(ex-TeSys GV5, GV6, TeSys LRG)*

- 185 to 800 A (AC-3)

TeSys Deca series- Motor starter solutions with **SNAP IN** connections up to 15 kw**B1****Linergy BZ, HK Busbar systems**

Power busbar systems

B2

GV, LAD, Ultra

Wiring systems for motor starters



Wiring systems

B3**TeSys Control**

Switch-disconnectors



Switch-disconnectors

B4**TeSys Power**

Fuse carriers



Fuse carriers

B5**TeSys Power**

Switch-disconnector fuses



Switch-disconnector fuses

B6**TeSys Power**

Deca, Giga and Modular Motor circuit breakers



Motor circuit breakers

B7**TeSys Control**

SK, K, Deca Control relays



Control relays

B8**TeSys Control**

SK, K, SKGC, Deca, Modular and other Contactors



Contactors

B9**TeSys Control**

Giga High power contactors



High power contactors

B10**TeSys Control**

F High power contactors



High power contactors

B11**TeSys Protect**

LRK, Deca, Giga Overload relays



Overload relays

B12**TeSys Power and Control**

Deca Motor Starter Solutions with SNAP IN Connections up to 15 kW



SNAP IN motor starters

> PART C**COMPONENTS**

for advanced solutions:

TeSys T series*(ex-TeSys T)*

- 0 to 800 A (AC-3)

TeSys island series*(ex-TeSys island)*

- 0 to 80 A (AC-3)

C1**TeSys Active**

T motor management system



Motor management devices

C2**TeSys Active**

island Digital multifunctional load management solution



Control and monitoring island

Part A

ASSEMBLED MOTOR STARTERS

FULLY
COORDINATED

TeSys Control

Enclosed switch-disconnectors
and motor starters

From 0.25 to 40 kW



A1/1

Enclosed
starters

TeSys Control

Open motor starters

From 0.06 to 315 kW



A2/1

Open
motor
starters

TeSys Control

Hybrid motor starters

Up to 3 kW

From 9 A to 32 A



A3/1

Hybrid
motor
starters

TeSys Control

Ultra motor starters

From 0.09 to 18.5 kW



A4/1

Ultra
motor
starters

Complementary technical
information:

coordination and standards

A5/1

Coordination
and
standards

This PDF Catalog is updated twice a year. Please check on the link below that you are using the last version.

Ref. MKTED210011EN

Enclosed switch-disconnectors

Content	Page
Product selector	page A1/2
Enclosed switch-disconnectors	page A1/3



Enclosed standard starters

Product selector	page A1/6
Direct-on-line starters Accessories	page A1/7
Reverser starters	page A1/12
Star-delta starters	page A1/13



Enclosed safety starters

Product selector	page A1/14
Safety direct-on-line starters Accessories	page A1/15
Safety reverser starters	page A1/18



Enclosures and components for customer assemblies

Enclosures (with buttons)	page A1/22
Components	page A1/26



Technical Data for Designers

TeSys Control

Enclosed switch-disconnectors

Introduction & selection table

Enclosed starters



Range of pre-assembled casings with handle and their rotary switch

They can be fixed on a wall, a panel, or on the chassis of a machine. For simple isolation and/or control of an electrical circuit. Red/yellow handle provides a clear indication of the device safety function ⁽¹⁾, while black handle is usually dedicated to ON/OFF control.

⁽¹⁾ Conforming to IEC 60947-3 and IEC 60204.

With numerous advantages to meet OEM's most common needs

- IEC or UL
- Multiple ratings and sizes
- IP65
- Additional poles
- Replaceable switch bodies

Selection in 2 steps

1 Identify your need (1 line one or more) in the **Selection criteria** area (example.: Load 5 kW– Emergency Stop - IEC)

2 Choose your enclosed switch-disconnector in the **Solutions** area, note the radical of the product references

Selection criteria							
Ithe (A)	Load power (kW)	Circuit isolation	Emergency stop	IP55	IP65	IEC	UL & CSA
10...140	4...45 (400 V)	●			●	●	
10...140	4...45 (400 V)	●	●		●	●	
10...32	4...15 (400 V)	●	●		●	●	
32...175 (Ithe IEC) 20...115 (Ith UL)	10...50 HP (480 V)	●	●		●	●	●

Solutions			
VBF			
	VCF		
		VCFN	
			VC•GUN

See page

A1/3

A1/3

A1/3

A1/4

TeSys Control

Enclosed switch-disconnectors / Ready-to-use

Product references



Dimensions:
p. A1/34

Schemes:
p. A1/35



VCF0GE



VCF3GE



VCF5GEN



VCFN12GE



VBF0GE



VBF6GEN

Control + Disconnection (IEC)

Enclosed switch-disconnectors, ready to be fixed on workshop wall or directly on the machine and wired to main supply circuit and to load.

Functions / Range / Specificities:

- Direct Control: ON/OFF of 3-phase motor (black handle) or ON/Emergency Stop (red handle)
- 23 IEC motor starters, for 3P motors from 4 to 45 kW (10 to 140 A)
- 6 UL motor starters for 3P motors from 5 to 30 HP (240 V)
- Padlockable handle (1 to 3 padlocks – not included)
- Sealable, lockable cover when handle in position 1 (up to 63 A rating).

Included:

- rotary switch-disconnector body
- handle.

Enclosures for ON / Emergency Stop – IP65 – conforming IEC 60947-3, IEC 60204 (1)

Operator Handle	Front plate Dim.	Ithe	Power AC-23 at 400 V	Incorporated switch body	Possible attachments (2)	With ground plate	Reference (3)	Weight	Overall dimensions (4)
Red, standard, padlockable with up to 3 padlocks (Ø 4 to Ø 8 shank)	Yellow 60 x 60	10	4	V02	2	No	VCF02GE	0.500	90x146x131
						Yes	VCF02GEGP	0.560	90x146x131
		16	5.5	V01	2	No	VCF01GE	0.500	90x146x131
						Yes	VCF01GEGP	0.560	90x146x131
		20	7.5	V0	2	No	VCF0GE	0.500	90x146x131
						Yes	VCF0GEGP	0.560	90x146x131
		25	11	V1	2	No	VCF1GE	0.500	90x146x131
						Yes	VCF1GEGP	0.560	90x146x131
Red, long, padlockable with up to 3 padlocks (Ø 4 to Ø 8 shanks)	Yellow 90 x 90	32	15	V2	2	No	VCF2GE	0.500	90x146x131
		50	22	V3	3	No	VCF3GE	0.930	157x180x152
		63	30	V4	3	No	VCF4GE	0.930	157x180x152
		100	37	V5	1	No	VCF5GEN	2.190	241x291x190.5
		140	45	V6	1	No	VCF6GEN	2.190	241x291x190.5

Protection of sensitive equipment: ground plate available for VCF02GE...VCF1GE – see page A1/5.

Enclosures for ON / Emergency Stop – IP65 - conforming IEC 60947-3 (1)

Operator Handle	Front plate Dim.	Ithe	Power AC-23 at 400 V	Incorporated switch body	Possible attachments (2)	Reference (3)	Weight	Overall dimensions (4)
Red padlockable, either by 1 (Ø 8 shank) or by 3 padlocks (Ø 6 shank)	Yellow 60 x 60	10	4	VN12	2	VCFN12GE	0.422	82.5x131x106
		16	5.5	VN20	2	VCFN20GE	0.422	82.5x131x106
		20	7.5	V0	0	VCFN25GE	0.512	82.5x131x106
		25	11	V1	0	VCFN32GE	0.512	82.5x131x106
		32	15	V2	0	VCFN40GE	0.512	82.5x131x106

Enclosures for ON/OFF F – IP65 – conforming IEC 60947-3, IEC 60204 (1)

Operator Handle	Front plate Dim.	Ithe	Power AC-23 at 400 V	Incorporated switch body	Possible attachments (2)	Reference (3)	Weight	Overall dimensions (4)
Black, standard, padlockable with up to 3 padlocks (Ø 4 to Ø 8 shank)	Black 60 x 60	10	4	V02	2	VBF02GE	0.500	90x146x131
		16	5.5	V01	2	VBF01GE	0.500	90x146x131
		20	7.5	V0	2	VBF0GE	0.500	90x146x131
		25	11	V1	2	VBF1GE	0.500	90x146x131
		32	15	V2	2	VBF2GE	0.500	90x146x131
		50	22	V3	3	VBF3GE	0.930	157x180x152
Black, long, padlockable with up to 3 padlocks (Ø 4 to Ø 8 shank)	Black 90 x 90	63	30	V4	3	VBF4GE	0.930	157x180x152
		100	37	V5	1	VBF5GEN	2.190	241x291x190.5
		140	45	V6	1	VBF6GEN	2.190	241x291x190.5

(1) For characteristics of switch-disconnectors, please consult your Regional Sales Office.

(2) Number of add-on modules that can be attached.

(3) Enclosure not suitable in atmosphere contaminated with harsh substances (detergents, chlorine solvents, ketones, alcohol, aromatic hydrocarbons).

(4) Dimensions of standard versions, comprising (if any) handle, pushbutton, indicator light.

Note: For VCF and VBF enclosures from 02GE to 2GE, only one auxiliary contact block VZ7 or VZ20 can be mounted.

TeSys Control

Enclosed switches (UL) / Ready-to-use - Additional modules

Product references



Dimensions:
p. A1/36

Schemes:
p. A1/36

Enclosed starters



VC1GUN



VC3GUN



VC5GUN

Control + Disconnection (UL)

ON / Emergency Stop – IP65
Conforming UL508 CSA22.2 n° 14, IEC 60947-3, IEC 60204 (1)

Operator	Rating	Standard power ratings of UL motors				Incorporated switch body	Possible attachments	Reference (2)	Weight	Overall dimensions (1)	
		IEC (lthe)	UL	240 V	480 V						600 V
Handle	Front plate Dim.	600 V							kg	mm	
	mm	A	A	HP	HP	HP					
Red, standard, padlockable with up to 3 padlocks (Ø 4 to Ø 8)	Yellow 60 x 60	25	20	5	10	10	V1	2	VC1GUN	0.500	121x164x132.1
		32	25	5	10	15	V2	2	VC2GUN	0.500	121x164x132.1
		50	45	10	20	30	V3	2	VC3GUN	0.930	164x193x132.1
		63	63	15	30	40	V4	2	VC4GUN	0.930	164x193x132.1
Red, long, padlockable with up to 3 padlocks (Ø 4 to Ø 8)	Yellow 90 x 90	125	100	25	50	50	V5	1	VC5GUN	2.190	241x291x190.5
		175	115	30	50	60	V6	1	VC6GUN	2.190	241x291x190.5

Additional modules for VZ switch bodies

Enclosed switches include a VZ switch body. Additional modules can be plugged on 1 or 2 sides of the switch body to provide additional contacts or extra connectivity.

Common modules for enclosed switch disconnectors – with exceptions (3)

Description	Rating	Reference
Main pole module (mounted in enclosure)	A	
	10	VZ02 (not for VCxGUN starters)
	16	VZ01 (not for VCxGUN starters)
	20	VZ0 (not for VCxGUN starters)
	25	VZ1
	32	VZ2
	50	VZ3
Neutral pole modules with early make and late break contacts	63	VZ4
	10 to 32	VZ11
	50 and 63	VZ12
	100 and 140	VZ13
Earthing modules	10 to 32	VZ14
	50 and 63	VZ15
	100 and 140	VZ16
Description	Type of contacts	Reference
Auxiliary contact block modules with 2 auxiliary contacts	N/O + N/C (4)	VZ7
	N/O + N/O	VZ20



VZ0
Main pole



VZ11
Neutral pole



VZ15
Earthing terminal



VZ20
Auxiliary contacts

(1) For characteristics of switch-disconnectors, please consult your Regional Sales Office.

(2) Enclosure not suitable in atmosphere contaminated with harsh substances (detergents, chlorine solvents, ketones, alcohol, aromatic hydrocarbons).

(3) Not compatible with V●F5GEN, V●F6GEN, VC5GUN, VC6GUN, VCFN12GE, VCFN20GE.

(4) Late make N/O, early break N/C contacts.

TeSys Control

Enclosed switch-disconnectors / Ready-to-use - Additional modules - Accessories

Product references



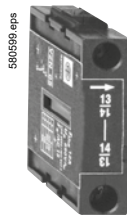
Schemes:
p. A1/35



VZN11



VZN14



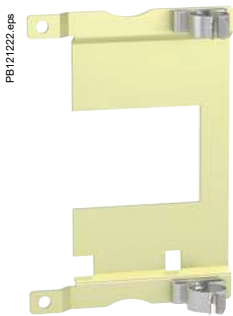
VZN05

Additional modules for switch bodies

Specific modules for VCFN12GE and VCFN20GE

Description	Rating	Reference
	A	
Main pole modules	10	VZN12
	16	VZN20
Neutral pole module with early make and late break contacts	10 and 16	VZN11
Earthing module	10 and 16	VZN14

Description	Type of contacts	Reference
Auxiliary contact block modules	1 N/O late make contact	VZN05
	1 N/C early break contact	VZN06



VGP1



VGPClip1

Accessories for enclosed switch-disconnectors

Ground plate and accessories for VCF02GE, VCF01GE, VCF0GE, VCF1GE

Metallic ground plate, for shielded cables connection. To be installed between back of enclosed switch-disconnectors, 2 fixing screws. Cable shield grounding ensured by 2 clamps, clamping from Ø11 to 14 mm

For switch body	Reference
Ground plate + 2 clamps + 2 screws	VGP1
2 clamps + 2 screws	VGPClip1

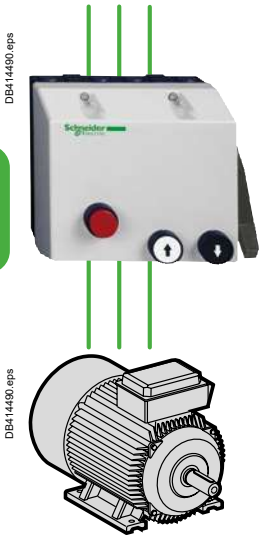
Enclosed starters

TeSys Control

Enclosed standard starters

Introduction & selection table

Enclosed starters



Range of pre-assembled motor starters, with pushbuttons, selectors, protection and control components in a robust casing

They can be fixed on a wall, on a panel, or on the chassis of a machine. They provide an operator with an easy access with visual simplicity

Numerous advantages to meet OEM's most common needs

- IEC
- Multiple ratings and sizes
- IP55, IP65
- IK08, IK09
- Totally or partially pre-wired

Standard starters

They are used to isolate a circuit, to protect and/or to control a motor

Customized protection

Enclosed starter offer is available in fully pre-equipped and pre-wired enclosures, also in partially pre-equipped enclosures to be completed with protective components of the required rating

Accessories

Additional accessories provide reinforced sealing, padlock locking, additional contacts...

Selection in 2 steps

1 Identify your need (1 line one or more) in the **Selection criteria** area (example: Load 5 kW – ON/OFF control with overload protection)

2 Choose your starter in the **Solutions** area by adding column contents, note the radical of the product references (example: LE1D + LRD)

Selection criteria

Load Power (kW) / 400V	Circuit isolation	Direct starter - ON/OFF	Reverser ON/REVERSE/OFF	Short circuit protection	Overload protection	Star - delta
0.25..7.5		●			●	
4 ... 30		●			●	
0.02... 30		●		●		
0.02... 30						
0.06... 11		●		●	●	
2.2 ... 30			●		●	
7.5...30		●			●	●

Solutions

Protection device to be added by customer <i>(of appropriate rating)</i>			
LE1M35			LRD
		LE1D	LRD
	GV2PC GV3PC		GV2L
	GV2PC GV3PC		GV2P
	GV2MC GV3MP		GV2ME
		LE2K LE2D	LR2K LRD
		LE3D	LRD

See page

A1/7

A1/8

A1/9
+ A1/10

A1/9
+ A1/10

A1/11

A1/12

A1/13

TeSys Control

Enclosed standard starters / DOL / Ready-to-use

Product references



Dimensions:
p. A1/37

Schemes:
p. A1/37



LE1M35●●●●

PB121488.eps

Enclosed starters

Control + Protection against Overloads

- Direct Control: ON/OFF of 3-phase motor
- Motor protection: motor OFF in case of overload – manual reset with the red push button.
- Indication: yellow light activated with the contactor coil.
- The LE1M35 starter, combined with short-circuit protection components, provides type 1 or type 2 coordination, depending on the type of devices used.

Range:

- 10 IEC motor starters, for 3P motors from 0.25 to 7.5 kW (400V AC)
- Configurable push buttons: impulse or latched
- Conforming to IEC 60947-4-1 standard
- Degree of protection IP65, according IEC 60529
- Ambient air temperature in operation -5 to +40°C
- Operating position: same as K series contactors
- Material: self extinguishing ABS.

Included (standard version):

- 1 contactor LC1K●●⁽¹⁾
- 1 thermal overload relay LR2K⁽²⁾
- 1 green Start button "I",
- 1 red Stop/Reset button "O/R",
- 1 yellow operating indicator
- earth + neutral terminals at bottom of enclosure.

For supply voltages between 380 and 440 V (codes Q7, V7, N7 or R7) the control circuit is pre-wired between phases. For other supply voltages, the control circuit must be wired by the customer.

Direct-on-line starters

Standard power ratings of 3-phase motors 50-60 Hz in category AC-3					Setting range of thermal overload relay LR2K	Basic reference, to be completed by adding the voltage code ^{(3) (4)}	Overall dimensions ⁽⁵⁾ WxHxD
220 V	240 V	380 V	415 V	400 V			
kW	kW	kW	kW	A		mm	
0.12	0.12	0.25	0.25	0.54...0.8	LE1M35●●05	78x160x108	
0.18	0.18	0.37	0.37	0.8...1.2	LE1M35●●06	78x160x108	
0.25	0.25	0.55	0.55	1.2...1.8	LE1M35●●07	78x160x108	
0.37	0.37	1.1	0.75	1.8...2.6	LE1M35●●08	78x160x108	
0.55	0.55	1.5	1.5	2.6...3.7	LE1M35●●10	78x160x108	
1.1	0.75	2.2	2.2	3.7...5.5	LE1M35●●12	78x160x108	
1.5	1.1	3	3	5.5...8	LE1M35●●14	78x160x108	
2.2	2.2	4	4	8...11.5	LE1M35●●16	78x160x108	
3	3	5.5	5.5	10...14	LE1M35●●21	78x160x108	
3.7	4	7.5	7.5	12...16	LE1M35●●22	78x160x108	
Replacement contactor					LC1K●●A80	-	

Coil voltage codes

Volts	24	110	220	230	240	380	400	415	440
~ 50/60 Hz									
Code	B7	F7	M7	P7	U7	Q7	V7	N7	R7

(1) K contactor characteristics: refer to chapter B8.

(2) LR2K overload relay characteristics: refer to chapter B11.

(3) Remove the 2 last numbers if the thermal overload relay is not required.
Example: LE1M35P7 instead of LE1M35P714.

(4) Please check the availability of your variant in the index page A1/30. The SEARCH function of your viewer can be used.

(5) Dimensions of standard versions, comprising (if any) handle, push button, indicator light.

TeSys Control

Enclosed standard starters / DOL / to be completed with Deca ⁽¹⁾ overload relay

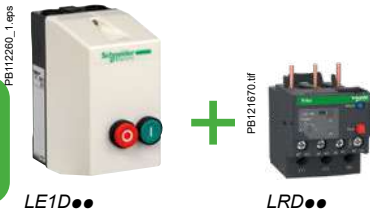
Product references



Dimensions:
p. A1/41

Schemes:
p. A1/42

Enclosed starters



Control + Protection against Overloads

- ON/OFF motor starters: 1-way rotation control of 3-phase motor, by green & red push buttons
- Motor protection against overload: manual reset with the red push button or remotely.

Range:

- 8 direct-on-line starters for 3P motors from 4 to 30 kW (9 to 65 A AC-3)
- Choice of up to 12 AC coil voltages for control supply circuit (depending on starter rating).

Enclosures characteristics:

- Conforming to IEC 60947-4-1 standard
- Degree of protection according IEC 60529:
 - IP65,
 - IK07 for LE1D09...D35,
 - IK09 for LE1D40A...D65A
- Ambient air temperature in operation -5 to +40°C
- Operating position: same that as contactors
- Material: LE1D09... D35 polycarbonate ⁽²⁾
- LE1D40A... D65A steel sheet.

Included:

- 1 pre-wired LC1D contactor
- 2 Harmony XB5 push buttons.

An LRD overload relay of the required rating must be ordered separately and wired at bottom of the contactor.

Direct on-line starters

Standard power ratings of 3-phase motors 50-60 Hz in category AC-3							Max. current lth up to	Basic reference, to be completed by adding the voltage code ⁽³⁾	Weight kg	Overall dimensions ⁽⁴⁾ WxHxD mm
220 V	380 V	415 V	440 V	500 V	660 V	690 V				
2.2	4	4	4	5.5	5.5	9	LE1D09●●	0.920	88x166x128.5	
3	5.5	5.5	5.5	7.5	7.5	12	LE1D12●●	0.920	88x166x128.5	
4	7.5	7.5	7.5	9	10	17	LE1D18●●	1.015	101x201x153.5	
5.5	11	11	11	15	15	22	LE1D25●●	1.015	101x201x153.5	
7.5	15	15	15	18.5	18.5	26.5	LE1D35●●	4.320	101x201x153.5	
11	18.5	22	22	22	30	40	LE1D40A●●	4.820	200x300x158.5	
15	22	25	30	30	33	50	LE1D50A●●	4.850	200x300x158.5	
18.5	30	37	37	37	37	65	LE1D65A●●	4.850	200x300x158.5	

Variants (pre-assembled)

Description	Available variants for starter	Suffix to be added to the starter reference ⁽³⁾
No pushbuttons on cover	LE1D09...D65A●●	A04
1 blue Reset button "R"	LE1D09...D65A●●	A05
1 3-position stay put selector switch ("I"- "O"- "II") ("I": Automatic Start; "O": Stop; "II": Manual Start) 1 blue Reset button "R"	LE1D09...D25●●	A09
1 2-position stay put selector switch "O"- "I" ("O": Stop; "I": Manual Start) 1 blue Reset button "R"	LE1D09...D25●●	A13
Mounting of an LC1D09 contactor in an enclosure identical to LE1D18	LE1D09P7 LE1D09P7A13	T

Coil voltage codes ⁽³⁾

Volts ~ 50/60 Hz	24	48	110	115	120	220	230	240	380	400	415	440
LE1D09 to D35	B7	E7	F7	FE7	G7	M7	P7	U7	Q7	V7	N7	R7
LE1D40A to D65A	-	-	-	FE7	-	-	P7	-	Q7	-	-	-

⁽¹⁾ LRD overload relay selection: product reference page A1/29, more details in chapter B11.

⁽²⁾ Avoid placing this material in contact with harsh substances (detergents, chlorine solvents ketones, alcohol, aromatic hydrocarbons).

⁽³⁾ Please check the availability of your variant in the index page A1/30. The SEARCH function of your viewer can be used.

⁽⁴⁾ Dimensions of standard versions, comprising (if any) handle, push button, indicator light.

TeSys Control

Enclosed standard starters / DOL / to be completed with Deca ⁽¹⁾ magnetic circuit breaker

Product references



Dimensions:
p. A1/37

Schemes:
p. A1/37



GV2PC01

GV2L



GV3PC02

GV3L

Control + Isolation + Protection against Short circuits

2 solutions according to the required current rating.

GV2PC + GV2L > up to 23 A (Ithe)

GV3PC + GV3L > up to 55 A (Ithe)

The GV2L or GV3L circuit breaker of the required rating must be ordered separately.

- Circuit isolation
- ON/OFF motor starters: 1-way rotation control of 3-phase motor
- Padlocking:
 - in ON or OFF position (GV2PC01, GV3PC01),
 - in OFF position (GV2PC02, GV3PC02).

Suitable circuit breakers:

- GV2L - 12 ratings (3P motors from 0.09 to 11 kW - 400/415 V AC)
- GV3L - 3 ratings (3P motors from 18.5 to 30 kW - 400/415 V AC).

Enclosures characteristics:

- Conforming to IEC 60947-2
- Degree of protection according IEC 60529:
 - IP65, IK08 (for GV2PC),
 - IK09 (for GV3PC)
- Ambient air temperature in operation -5 to +40°C
- Operational voltage (Ue): 690V
- Material: GV2PC polycarbonate ⁽²⁾, GV3PC steel sheet.

Included:

- GV rotary handle.

Enclosed starters

Enclosures fitted with padlockable rotary handle

Composition	Type	Reference	Overall dimensions ⁽³⁾ WxHxD mm
<ul style="list-style-type: none"> ■ Insulating enclosure ■ Black handle, padlockable in ON/OFF position 	Surface mounting For GV2L	GV2PC01	88x166x163
<ul style="list-style-type: none"> ■ Insulating enclosure ■ Red handle on yellow background, padlockable in OFF position 	Surface mounting For GV2L	GV2PC02	88x166x163
<ul style="list-style-type: none"> ■ Metal enclosure ■ Black handle, padlocking in ON/OFF position ■ Circuit breaker/handle adapter 	Surface mounting For GV3L	GV3PC01	200x300x200
<ul style="list-style-type: none"> ■ Metal enclosure ■ Red handle, padlocking in OFF position ■ Circuit breaker/handle adapter 	Surface mounting For GV3L	GV3PC02	200x300x200

GV2L, GV3L product references: add code to product reference ⁽⁴⁾

Ithe (A)	0.4	0.63	1	1.6	2.5	4	6.3	9	13	17	21	23
GV2L codes	03	04	05	06	07	08	10	14	16	20	21	22
Ithe (A)	35	41	55									
GV3L codes	40	50	65									

⁽¹⁾ GV2, GV3 circuit breaker not included - characteristics: refer to chapter B6.

⁽²⁾ Avoid placing this material in contact with harsh substances (detergents, chlorine solvents, ketones, alcohol, aromatic hydrocarbons).

⁽³⁾ Dimensions of standard versions, comprising (if any) handle, push button, indicator light.

⁽⁴⁾ Example: for Ithe 17 A, magnetic circuit breaker is GV2L20.

TeSys Control

Enclosed standard starters / DOL / to be completed with Deca ⁽¹⁾ thermal-magnetic circuit breaker

Product references



Dimensions:
p. A1/38

Schemes:
p. A1/38

Enclosed starters



GV2PC01



GV2P●●



GV3PC02



GV3P●●

Control + Isolation + Protection against Short circuits and Overloads

For OEM, 2 solutions according to the required current rating.
GV2PC + GV2P > up to 23 A (Ithe)
GV3PC + GV3P > up to 55 A (Ithe)
The enclosure includes a rotary handle.
The GV2P or GV3P circuit breaker of the required rating must be ordered separately.

- Circuit isolation
- ON/OFF motor starters: 1-way rotation control of 3-phase motor
- Padlocking:
 - in ON or OFF position (GV2PC01, GV3PC01),
 - in OFF position (GV2PC02, GV3PC02).

Suitable circuit breakers:

- GV2P - 14 ratings (3P motors from 0.06 to 11 kW - 400/415 V AC)
- GV3P - 2 ratings (3P motors from 18.5 to 30 kW - 400/415 V AC).

Enclosures characteristics:

- Conforming to IEC 60947-2
- Degree of protection according IEC 60529: IP65, IK08 (for GV2PC), IK09 (for GV3PC)
- Ambient air temperature in operation -5 to +40°C
- Operational voltage (Ue) 690V
- Material: GV2PC polycarbonate ⁽²⁾, GV3PC steel sheet.

Included:

- GV rotary handle.

Enclosures fitted with padlockable rotary handle

Composition	Type	Reference	Overall dimensions ⁽³⁾ WxHxD mm
<ul style="list-style-type: none"> ■ Insulating enclosure ■ Black handle, padlockable in ON/OFF position 	Surface mounting For GV2L	GV2PC01	88x166x163
<ul style="list-style-type: none"> ■ Insulating enclosure ■ Red handle on yellow background, padlockable in OFF position 	Surface mounting For GV2L	GV2PC02	88x166x163
<ul style="list-style-type: none"> ■ Metal enclosure ■ Black handle, padlocking in ON/OFF position ■ Circuit breaker/handle adapter 	Surface mounting For GV3L	GV3PC01	200x300x200
<ul style="list-style-type: none"> ■ Metal enclosure ■ Red handle, padlocking in OFF position ■ Circuit breaker/handle adapter 	Surface mounting For GV3L	GV3PC02	200x300x200

GV2P, GV3P product references: add code to product reference ⁽⁴⁾

Ithe (A)	0.16	0.25	0.4	0.63	1	1.6	2.5	4	6.3	9	13	17	21	23	
GV2P codes	01	02	03	04	05	06	07	08	10	14	16	20	21	22	
Ithe (A)	35	41	55												
GV3P codes	40	50	65												

⁽¹⁾ GV2, GV3 circuit breaker not included - characteristics: refer to chapter B6.

⁽²⁾ Avoid placing this material in contact with harsh substances (detergents, chlorine solvents, ketones, alcohol, aromatic hydrocarbons).

⁽³⁾ Dimensions of standard versions, comprising (if any) handle, pushbutton, indicator light.

⁽⁴⁾ Example: for Ithe 17 A, magnetic circuit breaker is GV2P20.

TeSys Control

Enclosed standard starters / DOL / to be completed with Deca ⁽¹⁾ thermal-magnetic circuit breaker (ref. GV2ME)

Product references



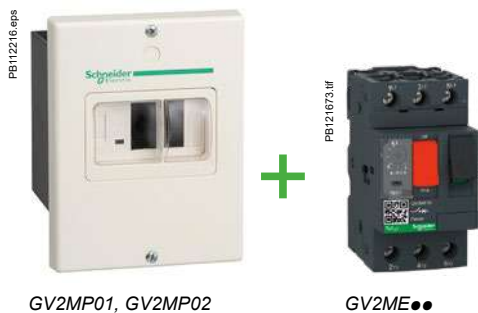
Dimensions:
p. A1/39

Schemes:
p. A1/40



GV2MC02, GV2MC03

GV2ME●●



GV2MP01, GV2MP02

GV2ME●●

Control + Isolation + Protection against Short circuits and Overloads

For OEM, 2 solutions, according to the enclosure installation mode:
GV2MC surface mounting enclosure for GV2ME circuit breaker
GV2MP flush mounting enclosure for GV2ME circuit breaker.
The GV2ME circuit breaker of the required rating must be ordered separately.

- Circuit isolation
- ON/OFF motor starters: 1-way rotation control of 3-phase motor
- Short-circuit and adjustable overload protection
- Padlocking in OFF position.

Suitable circuit breakers:

- GV2ME - 14 ratings (3P motors from 0.06 to 11 kW - 400/415 V AC).

Enclosures characteristics:

- Conforming to IEC 60947-2; IEC 60947-4-1
- Degree of protection according IEC 60529: refer to selection chart
- Operational voltage (Ue) 690 V
- Material: polycarbonate ⁽²⁾.

Included:

- GV2E01 or GV2E02 sealing kit (fixed on the front plate).

Enclosures for thermal-magnetic circuit breakers GV2ME

Type	Degree of protection	Possible no. of side mounting auxiliary contact blocks on GV2ME		Reference	Weight kg	Overall dimensions ⁽³⁾ WxHxD mm
		LH side	RH side			
Surface mounting, double insulated with protective conductor. Sealable cover	IP41	1	1	GV2MC01	0.290	93x147x84
	IP55	1	1	GV2MC02	0.300	93x147x84
				or GV2MCK04 ⁽⁴⁾	0.420	93x147x145.5
IP55 for temperature < +5 °C	1	1	GV2MC03	0.300	93x147x84	
Flush mounting, with protective conductor	IP41 (front face)	1	1	GV2MP01	0.115	106.5x140x83
	IP41 (front face – reduced flush mounting)	–	1	GV2MP03	0.115	106.5x140x98
	IP55 (front face)	1	1	GV2MP02	0.130	106.5x140x83
	IP55 (front face – reduced flush mounting)	–	1	GV2MP04	0.130	106.5x140x98

GV2ME product references: add code to product reference ⁽⁵⁾

Ithe (A)	0.16	0.25	0.4	0.63	1	1.6	2.5	4	6.3	9	13	17	21	23
GV2ME codes	01	02	03	04	05	06	07	08	10	14	16	20	21	22

GV2MC, GV2MP enclosures with complementary circuit breaker and mushroom head pushbutton allow the construction of safety direct-on-line starters conforming INRS and VDE0113.

Surface and flush mounting enclosures, mushroom heads, circuit breakers and undervoltage release cover a large number of applications.

⁽¹⁾ Characteristics of GV2ME circuit breakers and additives: refer to page A1/28.

⁽²⁾ Enclosure not suitable in atmosphere contaminated with harsh substances (detergents, chlorine solvents, ketones, alcohol, aromatic hydrocarbons).

⁽³⁾ Dimensions of standard versions, comprising (if any) handle, pushbutton, indicator light

⁽⁴⁾ Enclosure GV2MCK04 is fitted with a GV2K04 mushroom head Emergency stop pushbutton as standard.

⁽⁵⁾ Example: for Ithe 17 A, magnetic circuit breaker is GV2ME20.

TeSys Control

Enclosed standard starters / Reverser / to be completed with LR2K, Deca ⁽¹⁾ overload relays

Product references



Dimensions:
p. A1/41

Schemes:
p. A1/42

Enclosed starters



LE2K09●●●



LR2K●●



LE2D12●●●



LRD●●

Reverse Control + Isolation + Protection against Overloads

- ON/REVERSE/OFF motor starters: 2-way rotation control of 3-phase motor
 - by black I-II position spring return selector, red STOP/RESET pushbuttons for LE2K●● starters
 - by black ON ↑, ON ↓ pushbuttons, red STOP/RESET pushbutton for LE2D●● starters
 - Motor protection against overload: manual reset with the red pushbutton or remotely.
- An LR2K or LRD overload relay of the required rating must be ordered separately and wired at bottom of the contactor.

Ranges:

- for 3P motors from 4 to 30 kW (9 to 65 A AC-3), in 11 ranges of reverser starters
- Choice of up to 7 AC coils voltages (depending on starter) for control supply circuit.

Enclosures characteristics:

- Conforming to IEC 60947-4-1 standard
- Degree of protection according IEC 60529: IP65, IK07 for LE2D09●●●D35, IK09 for LE2K and LE●D40A●●●D65A,
- Ambient air temperature in operation -5 to +40°C
- Operating position: same that as contactors
- Material: LE2K and LE●D09●●●D35 polycarbonate ⁽²⁾
- LE●D40A●●● D65A steel sheet.

Included:

- 2 pre-wired LC1K or LC1D contactor
- 3 Harmony XB5 pushbuttons - or -1 Harmony XB5 pushbutton + 1 Harmony XB5 switch.

Reversing starters

Standard power ratings of 3-phase motors 50-60 Hz in category AC-3							Maximum current lth up to	Basic reference, to be completed by adding the voltage code ⁽³⁾	Weight	Overall dimensions ⁽⁴⁾ WxHxD
220 V	380 V	415 V	440 V	500 V	660 V	690 V				
kW	kW	kW	kW	kW	kW	kW	A		kg	
1.5	2.2	2.2	3	–	–	–	6	LE2K065●●	1.080	175x165x146
2.2	4	4	4	–	–	–	9	LE2K095●● LE2D09●● ⁽⁵⁾	1.080 2.100	175x165x146 101x201x153.5
–	–	–	–	5.5	5.5	–	9	LE2D09●●	2.100	101x201x153.5
3	5.5	5.5	5.5	7.5	7.5	–	12	LE2D12●●	2.100	101x201x153.5
4	7.5	7.5	7.5	9	10	–	17	LE2D18●●	2.410	101x201x153.5
5.5	11	11	11	15	15	–	22	LE2D25●●	2.570	101x201x153.5
7.5	15	15	15	18.5	18.5	–	26.5	LE2D35●●	4.100	101x201x153.5
11	18.5	22	22	22	30	–	40	LE2D40A●●	5.270	200x300x174
15	22	25	30	30	33	–	50	LE2D50A●●	5.470	200x300x174
18.5	30	37	37	37	37	–	65	LE2D65A●●	5.470	200x300x174

Coil voltage codes ⁽³⁾

Volts ~ 50/60 Hz	24	48	110	115	120	220	230	240	380	400	415	440
LE2D40A to D65A	–	–	–	FE7	–	–	P7	–	Q7	–	–	–
LE2D09 to D35	B7	–	–	–	–	M7	P7	U7	Q7	V7	N7	–
LE2K	–	–	–	–	–	M7	P7	U7	Q7	V7	–	–

⁽¹⁾ LR2K, LRD overload relay selection: product references page A1/29, more details in chapter B11.

⁽²⁾ Avoid placing this material in contact with harsh substances (detergents, chlorine solvents, ketones, alcohol, aromatic hydrocarbons).

⁽³⁾ Please check the availability of your variant in the index page A1/30. The SEARCH function of your viewer can be used.

⁽⁴⁾ Dimensions of standard versions, comprising (if any) handle, pushbutton, indicator light.

⁽⁵⁾ Selection according to dimensions and the number of operating cycles, please consult your Regional Sales Office.

TeSys Control

Enclosed standard starters / Star-delta / to be completed with Deca ⁽¹⁾ overload relays

Product references



Dimensions:
p. A1/43

Schemes:
p. A1/43

105562_5E.eps



LE3D



LRD●●

Star-delta Control + Protection against Overload

- Star-delta starting of 3-phase motor: ON by green pushbutton, OFF by red pushbutton. Option: no pushbutton on cover
 - Maximum operating rate: 30 starts/hour.
 - Maximum starting time: 30 seconds.
 - Delay of 40 ms ±15 ms at changeover by LADS2 timer on delta contactor to provide sufficient time for star contactor to break.
 - Motor protection against overload: manual reset with the red pushbutton or remotely.
- An LRD overload relay of the required rating must be ordered separately and wired at bottom of the contactor.

Range:

- 4 partially pre-equipped enclosures to build-up 3P motor starters from 7.5 to 30 kW.
- Choice of 7 coils for control with different AC voltages.

Enclosures characteristics:

- Conforming to IEC 60947-4-1 standard
- Degree of protection according IEC 60529: IP65, IK07
- Ambient air temperature in operation -5 to +40°C
- Operating position: same that as contactors
- Material: polycarbonate ⁽²⁾.

Included:

- 3 pre-wired LC1D contactors
- 2 Harmony XB5 pushbuttons.

Star-delta starters

Standard power ratings of squirrel cage motors Mains voltage - delta connection				Basic reference, to be completed by adding the voltage code ⁽³⁾ ⁽⁴⁾	Weight	Overall dimensions ⁽⁵⁾ WxHxD
220 V	380/400 V	415 V	440 V			
V				kg		
4 kW	7.5 kW	7.5 kW	7.5 kW	LE3D09●●	3.650	186x348x175.5
5.5 kW	11 kW	11 kW	11 kW	LE3D12●●	3.650	186x348x175.5
11 kW	18.5 kW	22 kW	22 kW	LE3D18●●	3.750	186x348x175.5
11 kW	22 kW	26 kW	26 kW	LE3D35●●	5.160	186x348x175.5

Voltage codes ⁽⁴⁾

Volts ~ 50/60 Hz	24	220	230	240	380	400	415
LE3 D	B7	M7	P7	U7	Q7	V7	N7

⁽¹⁾ LRD overload relay selection: product references page A1/29, more details in chapter B11 - Select appropriate overload relay for setting at 0.58 of the full load rated motor current.

⁽²⁾ Avoid placing this material in contact with harsh substances (detergents, chlorine solvents, ketones, alcohol, aromatic hydrocarbons).

⁽³⁾ LE3D●●●● (with P7 and V7 coil) with no pushbutton on cover: add "A04" to product reference (example: LE3D18P7A04).

⁽⁴⁾ Please check the availability of your variant in the index page A1/30. The SEARCH function of your viewer can be used.

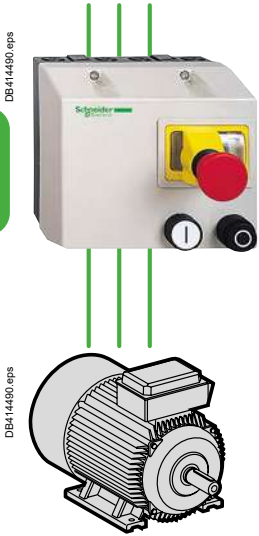
⁽⁵⁾ Dimensions of standard versions, comprising (if any) handle, pushbutton, indicator light.

TeSys Control

Enclosed safety starters

Introduction & selection table

Enclosed starters



Range of pre-assembled safety motor starters, with mushroom pushbuttons, protection and control components in a robust casing

They can be fixed on a wall, on a panel, or on the chassis of a machine. They provide the operator with safety machine controls complying with IEC 60204-1.

With numerous advantages to meet OEM's most common needs

- IEC
- Multiple ratings and sizes
- IP55
- IK07
- Pre-wired

Safety starters

They provide similar functions as standard starters but also include emergency stops to comply with IEC 60204-1 machine safety standards.

Selection in 2 steps

1 Identify your need (on a single line) in the **Selection criteria** area (example: Load 5 kW – Visible circuit isolation, ON/OFF control with short circuit / overload protection)

2 Choose your **Solutions** by adding column contents, note the radical of the product references (example: LG1D)

Selection criteria							Solutions						See page
Load Power (kW) / 400 V supply	Direct starter ON/OFF	Reverser ON/REVERSE/OFF	Short circuit / overload protection	Power circuit isolation	Visible isolation by rotary switch	Isolated control circuit by transformer							
0.06...4	●		●	●			▶	LG7K					A1/15
4 ... 9			●	●			▶	LG7D					A1/15
0.06... 4	●		●	●	●		▶		LG1K				A1/16
4... 9			●	●	●		▶		LG1D				A1/16
0.06... 4	●		●	●		●	▶			LJ7K			A1/17
0.06... 5.5		●	●	●			▶			LG8K			A1/18
0.06 ... 4		●	●	●		●	▶				LJ8K		A1/19
0.06 ... 15	●		●	●			▶					GV2MCK04 GV2ME GV2AX	A1/20

TeSys Control

Enclosed safety starters / DOL / Ready-to-use

Product references



Dimensions:
p. A1/45

Schemes:
p. A1/46



LG7K06



LG7K09, LG7D

For Control + Isolation + Short circuit / Overload Protection

Enclosed safety motor starters complying with IEC 60204-1 "Safety of machinery" standards.

- ON/OFF motor starters: 1-way rotation control of 3-phase motor
- Emergency stop
- Electrical circuit isolation, lockable (from LG7K09) with up to 3 padlocks
- Short circuit protection
- Overload protection
- Undervoltage protection (LG7K06: with additional undervoltage release module). Switching back on power supply after tripping must be a deliberate action.

Range:

- 12 pre-equipped enclosed safety starters from 0.06 to 9 kW.

Enclosures characteristics:

- Conforming to IEC 60947-1, IEC 60204-1
- Degree of protection according IEC 60529: IP55, IK07
- Ambient air temperature in operation -5 to +40°C
- Operational voltage (Ue) 690 V
- Operating position: same that as contactors
- Material: polycarbonate ⁽¹⁾.

Included:

- 1 GV2ME thermal magnetic circuit breaker (with mushroom emergency stop with LG7K06) ⁽²⁾
- 1 LC1K or LC1D pre-wired contactor
- 1 Harmony emergency stop pushbutton (from LG7K09)
- 2 Harmony XB5 pushbuttons.
- 1 GVAX undervoltage release module (from LG7K09).

Additional GVAX undervoltage release module for LG7K06 – to be ordered separately.

Non-reversing starters (with pushbutton control of isolation)						
Standard power ratings of 3-phase motors 50-60 Hz in category AC-3			Circuit breaker Setting range of thermal trips	Dust & damp protected starter Basic reference, to be completed by adding the voltage code ⁽³⁾	Weight	Overall dimensions ⁽⁴⁾ WxHxD
220/ 230 V	400/ 415 V	440 V	A		kg	
–	0.06	0.06	0.16...0.25	LG7K06●●02	1.300	175x165x177
0.06	0.09	0.12	0.25...0.40	LG7K06●●03	1.300	175x165x177
–	0.18	0.18	0.40...0.63	LG7K06●●04	1.300	175x165x177
0.12	0.25	0.37	0.63...1	LG7K06●●05	1.300	175x165x177
0.25	0.55	0.55	1...1.6	LG7K06●●06	1.300	175x165x177
0.37	0.75	1.1	1.6...2.5	LG7K06●●07	1.300	175x165x177
0.75	1.5	1.5	2.5...4	LG7K06●●08	1.300	175x165x177
1.1	2.2	3	4...6.3	LG7K06●●10	1.300	175x165x177
1.5	4	4	6...10	LG7K09●●14	1.450	175x165x177
3	5.5	5.5	9...14	LG7D12●●16	1.600	175x165x177
4	7.5	9	13...18	LG7D18●●20	1.630	175x165x177
4	9	9	17...23	LG7D18●●21	1.630	175x165x177

Voltage codes ⁽³⁾

Volts ~ 50/60 Hz	24	220/ 230	230	380/ 400	400	400/415 for LG7K)
LG7K, LG7D	B7	M7	P7	Q7	V7	N7

⁽¹⁾ Avoid placing this material in contact with harsh substances (detergents, chlorine solvents, ketones, alcohol, aromatic hydrocarbons).

⁽²⁾ LG7K09, D12, D18: the Emergency Stop function is performed by an undervoltage trip module acting on the circuit breaker. This circuit breaker is always pre-wired for use on 380/400/415 V 50 Hz supply.

For a 60 Hz supply, please consult your Regional Sales Office.

⁽³⁾ Please check the availability of your variant in the index page A1/30. The SEARCH function of your viewer can be used.

⁽⁴⁾ Dimensions of standard versions, comprising (if any) handle, pushbutton, indicator light.

TeSys Control

Enclosed safety starters / DOL / Ready-to-use

Product references



Dimensions:
p. A1/45

Schemes:
p. A1/46

PB111894_eps



LG1K065

Enclosed starters

For Control + Visible Isolation + Short circuit / Overload Protection

Enclosed safety motor starters complying with IEC 60204-1 "Safety of machinery" standards.

- ON/OFF motor starters: 1-way rotation control of 3-phase motor
- Emergency stop
- Electrical circuit isolation, lockable with up to 3 padlocks
- Short circuit protection
- Overload protection
- Undervoltage protection (with additional undervoltage release module). Switching back on power supply after tripping must be a deliberate action.

Range:

- 12 pre-equipped enclosed safety starters from 0.06 to 9 kW.

Enclosures characteristics:

- Conforming to IEC 60947-1, IEC 60204-1
- Degree of protection according IEC 60529 : IP55, IK07
- Ambient air temperature in operation -5 to + 40°C
- Operational voltage (Ue) 690 V
- Operating position: same that as contactors
- Material: polycarbonate ⁽¹⁾
- Enclosure cannot be opened when energised in position "I".

Included:

- 1 GV2ME thermal magnetic circuit breaker
- 1 LC1K (LG1K starters) or LC1D (LG1D starters) pre-wired contactor
- Switch with rotary red/yellow handle for isolation and emergency
- 2 Harmony XB5 pushbuttons.

Additional GVAX●● undervoltage release module – to be ordered separately.

Additional GV2SN●● indicator light – to be ordered separately.

Non-reversing starters (with rotary operator for control of isolation)

Enclosure cannot be opened when energised in position "I".

Standard power ratings of 3-phase motors 50-60 Hz in category AC-3			Circuit breaker Setting range of thermal trips	Dust & damp protected starter Basic reference, to be completed by adding the voltage code ⁽²⁾	Weight	Overall dimensions ⁽³⁾ WxHxD
220/230 V	400/415 V	440 V	A		kg	
–	0.06	0.06	0.16...0.25	LG1K065●●02	0.970	175x165x165
0.06	0.09	0.12	0.25...0.40	LG1K065●●03	0.970	175x165x165
–	0.18	0.18	0.40...0.63	LG1K065●●04	0.970	175x165x165
0.12	0.25	0.25	0.63...1	LG1K065●●05	0.970	175x165x165
0.25	0.55	0.55	1...1.6	LG1K065●●06	0.970	175x165x165
0.37	0.75	1.1	1.6...2.5	LG1K065●●07	0.970	175x165x165
0.75	1.5	1.5	2.5...4	LG1K065●●08	0.970	175x165x165
1.1	2.2	3	4...6.3	LG1K065●●10	0.970	175x165x165
1.5	4	4	6...10	LG1K095●●14	1.120	175x165x165
3	5.5	5.5	9...14	LG1D122●●16	1.270	175x165x165
4	7.5	9	13...18	LG1D182●●20	1.290	175x165x165
4	9	9	17...23	LG1D182●●21	1.290	175x165x165

Voltage codes ⁽²⁾

Volts ~ 50/60 Hz	220/230	230	380/400	400	400/415 (for LG1K)
LG1K, LG1D	M7	P7	Q7	V7	N7

⁽¹⁾ Avoid placing this material in contact with harsh substances (detergents, chlorine solvents, ketones, alcohol, aromatic hydrocarbons).

⁽²⁾ Please check the availability of your variant in the index page A1/30. The SEARCH function of your viewer can be used.

⁽³⁾ Dimensions of standard versions, comprising (if any) handle, pushbutton, indicator light.



Dimensions:
p. A1/47

Schemes:
p. A1/48

PB111880.eps



LJ7K06

For Control + Isolation + Short circuit / Overload Protection, with isolated 24 V control circuit

Enclosed safety motor starters complying with IEC 60204-1 "Safety of machinery" standards.

- ON/OFF motor starters: 1-way rotation control of 3-phase motor
- Emergency stop ⁽¹⁾
- Electrical circuit isolation, lockable on LJ7K09 with up to 3 padlocks
- Short circuit protection
- Overload protection
- Protection against voltage drops for LJ7K09. For LJ7K06, a GVAX●● undervoltage trip may be added
- Possible signaling with GV2SN●● indicator (to be ordered separately). Switching back on power supply after tripping must be a deliberate action.

Range:

- 9 pre-equipped enclosed safety starters from 0.06 to 4 kW.

Enclosures characteristics:

- Conforming to IEC 60947-1, IEC 60204-1
- Degree of protection according IEC 60529: IP55, IK07
- Ambient air temperature in operation -5 to +40°C
- Operational voltage (Ue) 690 V
- Operating position: same that as contactors
- Material: polycarbonate ⁽²⁾.

Included:

- 1 GV2ME thermal magnetic circuit breaker with mushroom emergency stop (release on ¼ turn),
- 1 LC1K pre-wired contactor
- 2 Harmony XB5 pushbuttons
- 1 Integral transformer: 400/24 V, 25 VA
- 1 GVAX undervoltage release module (with LJ7K09).

Additional GVAX●● undervoltage release module for LJ7K06 - to be ordered separately.

Additional GV2SN●● indicator light – to be ordered separately.

- Terminal allowing the connection of a volt-free contact, if required, in the control circuit.

Non-reversing motor starters with integral transformer, pre-wired for operation on a 3-phase 380 to 400 V 50 Hz supply (with pushbutton control of isolator function)

Standard power ratings of 3-phase motors 50 Hz in category AC-3	Circuit breaker Setting range of thermal trips	Dust and damp protected starter Reference ⁽³⁾⁽⁴⁾	Weight kg	Overall dimensions ⁽⁵⁾ WxHxD
0.06 kW	0.16...0.25 A	LJ7K06Q702	2.270	175x165x177
0.09	0.25...0.40	LJ7K06Q703	2.270	175x165x177
0.25	0.63...1	LJ7K06Q705	2.270	175x165x177
0.55	1...1.6	LJ7K06Q706	2.270	175x165x177
0.75	1.6...2.5	LJ7K06Q707	2.270	175x165x177
1.5	2.5...4	LJ7K06Q708	2.270	175x165x177
2.2	4...6.3	LJ7K06Q710	2.270	175x165x177
4	6...10	LJ7K09Q714	2.270	175x165x146

Variants (pre-assembled) ⁽⁴⁾

Description	Variants available for starter	Suffix to be added to the starter reference ⁽⁶⁾
With Emergency Stop No control pushbuttons	LJ7K06Q705...K09Q714	A04
With padlocking facility (fitted as standard on LJ7 K09)	LJ7K06Q705...K06Q710	A29
Without circuit breaker ⁽⁶⁾ (or undervoltage release voltage)	LJ7K●●●●	⁽⁷⁾
Without circuit breaker ⁽⁶⁾ With Emergency Stop No control pushbuttons	LJ7K09Q7	A04
Without circuit breaker ⁽⁶⁾ Without Emergency Stop (if the emergency stop is on the machine)	LJ7K09Q7	A39
Without circuit breaker ⁽⁶⁾ Without Emergency Stop No control pushbuttons	LJ7K09Q7	A04A39

- (1) LJ7K06: the mushroom head type Emergency Stop acts mechanically on the circuit breaker.
LJ7K09: the Emergency Stop function is performed by an undervoltage trip GVAX385, acting on the circuit breaker. This circuit breaker is always supplied pre-wired for use on 380/400 V 50 Hz.
- (2) Avoid placing this material in contact with harsh substances (detergents, chlorine solvents, ketones, alcohol, aromatic hydrocarbons).
- (3) In the reference, the voltage code Q7 (380/400 V) indicates the power supply voltage to which the starter will be connected, it being assumed that the contactor has a ~ 24 V coil (see control circuit scheme).
- (4) Some combinations of variants / control voltage may not be available. Please consult us.
- (5) Dimensions of standard versions, comprising (if any) handle, pushbutton, indicator light.
- (6) Example: LJ7K06Q705A04.
- (7) Delete the last 2 digits of the selected starter reference. Example: LJ7K06Q705 becomes LJ7K06Q7.
- (8) Circuit breaker to be ordered separately.
References GV2ME: see chapter B6 "Circuit breakers".

TeSys Control

Enclosed safety starters / Reverser / Ready-to-use

Product references



Dimensions:
p. A1/45

Schemes:
p. A1/46

Enclosed starters



LG8K06



LG8K09

For Control + Isolation + Short circuit / Overload Protection

For OEM, the enclosed safety motor reverser starters comply with IEC 60204-1 "Safety of machinery" standards.

- ON/REVERSE/OFF motor starters: 2-way rotation control of 3-phase motor
- Emergency stop ⁽¹⁾
- Electrical circuit isolation, lockable on LG8K09 and LG8K12 with up to 3 padlocks
- Short circuit protection (switching back on power supply after tripping must be a deliberate action)
- Overload protection
- Protection against voltage drops for LG8K09, LG8K12. For LG8K06, a GVAX●● undervoltage trip may be added.
- Possible signaling with GV2SN●● indicator (to be ordered separately).

Range:

- 10 pre-equipped enclosed safety inverter starters from 0.06 to 5.5 kW.

Enclosures characteristics:

- Conforming to IEC 60947-1, IEC 60204-1 ⁽¹⁾
- Degree of protection according IEC 60529: IP55, IK07
- Ambient air temperature in operation -5 to +40°C
- Operational voltage (Ue) 690 V
- Operating position: same that as contactors
- Material: polycarbonate ⁽²⁾.

Included:

- 2 LC1K prewired contactors
- 1 GV2ME thermal magnetic circuit breaker with mushroom emergency stop (release on ¼ turn)
- 1 "Stop" black pushbutton + 1 2-position spring return selector switch "I – II"
- 1 GVAX undervoltage release module with LG8K09, LG8K12 (to be ordered separately for LG8K06).

Reversing starters (with pushbutton control of isolation)

Standard power ratings of 3-phase motors 50-60 Hz in category AC-3			Circuit breaker Setting range of thermal trips	Dust & damp protected starter Basic reference, to be completed by adding the voltage code ⁽³⁾	Weight	Overall dimensions ⁽⁴⁾ WxHxD
220/230 V	400/415 V	440 V	A		kg	
–	0.06	0.06	0.16...0.25	LG8K06●●02	1.640	175x165x177
0.06	0.09	0.12	0.25...0.40	LG8K06●●03	1.640	175x165x177
–	0.18	0.18	0.40...0.63	LG8K06●●04	1.640	175x165x177
0.12	0.25	0.25	0.63...1	LG8K06●●05	1.640	175x165x177
0.25	0.55	0.55	1...1.6	LG8K06●●06	1.640	175x165x177
0.37	0.75	1.1	1.6...2.5	LG8K06●●07	1.640	175x165x177
0.75	1.5	1.5	2.5...4	LG8K06●●08	1.640	175x165x177
1.1	2.2	3	4...6.3	LG8K06●●10	1.640	175x165x177
1.5	4	4	6...10	LG8K09●●14	1.640	175x165x177
3	5.5	5.5	9...14	LG8K12●●16	1.640	175x165x177

Voltage codes ⁽³⁾

Volts ~ 50/60 Hz	220/230	380/400	400/415
	M7	Q7	N7

⁽¹⁾ **LG8K06**: the mushroom head type Emergency Stop acts mechanically on the circuit breaker. **LG8K09, LG8K12**: the Emergency Stop function is performed by an undervoltage trip, acting on the circuit breaker.

This circuit breaker is always supplied pre-wired for use on 380/400/415 V 50 Hz. For a 60 Hz supply, please consult your Regional Sales Office.

⁽²⁾ Avoid allowing the material to come into contact with strong bases (detergents, chlorine solvents, ketones, alcohol, aromatic hydrocarbons).

⁽³⁾ Please check the availability of your variant in the index page A1/30. The SEARCH function of your viewer can be used.

⁽⁴⁾ Dimensions of standard versions, comprising (if any) handle, pushbutton, indicator light.

TeSys Control

Enclosed safety starters / DOL / Ready-to-use

Product references



Dimensions:
p. A1/47

Schemes:
p. A1/48



LJ8K06



LJ8K09

For Control + Isolation + Short circuit /Overload Protection, with isolated 24 V control circuit

For OEM, the enclosed safety motor reverser starters comply with IEC 60204-1 "Safety of machinery" standards.

- ON/REVERSE/OFF motor starters: 2-way rotation control of 3-phase motor
- Emergency stop ⁽¹⁾
- Electrical circuit isolation, lockable on LJ8K09 with up to 3 padlocks
- Short circuit protection (switching back on power supply after tripping must be a deliberate action)
- Overload protection
- Protection against voltage drops for LJ8K09. For LJ8K06, a GVAX●● undervoltage trip may be added
- Possible signaling with GV2SN●● indicator (to be ordered separately).

Range:

- 9 pre-equipped enclosed safety inverter starters from 0.06 to 4 kW.

Enclosures characteristics:

- Conforming to IEC 60947-1, IEC 60204-1
- Degree of protection according IEC 60529: IP55, IK07
- Ambient air temperature in operation -5 to +40°C
- Operational voltage (Ue) 690 V
- Operating position: same that as contactors
- Material: polycarbonate ⁽²⁾.

Included:

- 2 LC1K prewired contactors
- 1 GV2ME thermal magnetic circuit breaker with mushroom emergency stop (release on ¼ turn)
- 1 Integral transformer: 400/24 V, 25 VA
- 1 "Stop" black pushbutton + 1 2-position spring return selector switch "I – II"
- 1 GVAX undervoltage release module with LJ8K09 (to be ordered separately for LJ8K06).
- Terminal allowing the connection of a volt-free contact, if required, in the control circuit.

Reversing motor starters with integral transformer, pre-wired for operation on a 3-phase 380 to 400 V 50 Hz supply (with pushbutton control of isolator function)

Standard power ratings of 3-phase motors 50 Hz in category AC-3 380/400 V	Circuit breaker Setting range of thermal trips	Dust and damp protected starter Reference ^{(3) (4)}	Weight kg	Overall dimensions ⁽⁵⁾ WxHxD
0.06	0.16...0.25	LJ8K06Q702	2.650	175x165x177
0.18	0.40...0.63	LJ8K06Q704	2.650	175x165x177
0.25	0.63...1	LJ8K06Q705	2.650	175x165x177
0.55	1...1.6	LJ8K06Q706	2.650	175x165x177
0.75	1.6...2.5	LJ8K06Q707	2.650	175x165x177
1.5	2.5...4	LJ8K06Q708	2.650	175x165x177
2.2	4...6.3	LJ8K06Q710	2.650	175x165x177
4	6...10	LJ8K09Q714	2.650	175x165x146

Variants (pre-assembled) ⁽⁴⁾

Description	Variants available for starter	Suffix to be added to the starter reference
-------------	--------------------------------	---

Without circuit breaker ⁽⁷⁾
(or undervoltage release voltage)

LJ8

⁽⁶⁾

⁽¹⁾ LJ8K06: the mushroom head type Emergency Stop acts mechanically on the circuit breaker. LJ8K09: the Emergency Stop function is performed by an undervoltage trip GVAX385, acting on the circuit breaker. This circuit breaker is always supplied pre-wired for use on 380/400 V 50 Hz.

⁽²⁾ Avoid placing this material in contact with harsh substances (detergents, chlorine solvents, ketones, alcohol, aromatic hydrocarbons).

⁽³⁾ In the reference, the voltage code Q7 (380/400 V) indicates the power supply voltage to which the starter will be connected, it being assumed that the contactor has a 24 V coil (see control circuit scheme).

⁽⁴⁾ Please check the availability of your variant in the index page A1/30. The SEARCH function of your viewer can be used.

⁽⁵⁾ Dimensions of standard versions, comprising (if any) handle, pushbutton, indicator light.

⁽⁶⁾ Delete the last 2 digits of the selected starter reference. Example: LJ8K09Q714 becomes LJ8K09Q7.

⁽⁷⁾ Circuit breaker to be ordered separately. References GV2ME: see chapter B6 "Circuit breakers".

TeSys Control

Enclosure for safety starters / DOL / to be completed with ref. GV2ME, GVAX

Product references



Dimensions:
p. A1/39

Schemes:
p. A1/40

Enclosed starters



GV2MCK04



GV2ME●●



GVAX●●●

GV2MCK04 enclosure is fitted with a mushroom pushbutton. It allows, with addition of a circuit breaker and undervoltage trip, the construction of a safety direct-on-line starter conforming INRS and VDE0113.

Enclosures characteristics:

- Conforming to IEC 60947-2; IEC 60947-4-1
- Degree of protection according IEC 60529: refer to selection chart
- Operational voltage (Ue) 690 V
- Material : polycarbonate ⁽¹⁾.

Enclosure

Enclosure for thermal-magnetic circuit breakers GV2ME

Type	Degree of protection	Possible no. of side mounting auxiliary contact blocks on GV2ME		Reference	Weight kg	Overall dimensions WxHxD
		LH side	RH side			
Surface mounting, double insulated with protective conductor. Sealable cover	IP55	1	1	GV2MCK04	0.420	93x147x145.5

GV2ME circuit breaker, GVAX undervoltage trip

Product references: page A1/28.

(1) Avoid placing this material in contact with harsh substances (detergents, chlorine solvents, ketones, alcohol, aromatic hydrocarbons).

TeSys Control

Enclosures, components,
for customer assemblies
Spare parts



TeSys Control

Enclosures / To be completed with switch bodies

Product references



Dimensions:
p. A1/34

Schemes:
p. A1/35

Enclosed
starters



VCFXGE4



VBFXGE2

Empty enclosures with rotary handle

IP65 enclosure with red padlockable handle operator and yellow front plate
(for mounting a main or Emergency Stop switch-disconnector)

lthe	For switch body	Nb. of possible add. module attachments	Reference ⁽¹⁾	Weight
A				
kg				
10...32	VN12, VN20 V02...V2	2	VCFXGE1	0.340
10...32	V02...V2	4	VCFXGE4	0.660
50...63	V3 - V4	3	VCFXGE2	0.660
100.... 140	V5 - V6	1	VCFXGE6	1.04

IP65 enclosure with black padlockable handle and black front plate
(for mounting a main switch-disconnector)

10...32	VN12, VN20 V02...V2	2	VBFXGE1	0.340
10...32	V02...V2	4	VBFXGE4	0.660
50...63	V3 - V4	3	VBFXGE2	0.660
100.... 140	V5 - V6	1	VBFXGE6	1.04

Switch bodies to fit VCFX, VBFX enclosures ⁽²⁾

Standard applications

Description	Rating	Reference	Weight
A			
kg			
3-pole switch-disconnectors	10	VN12	0.110
	16	VN20	0.110

High performance applications

Description	Rating	Reference	Weight
A			
kg			
3-pole switch-disconnectors	10	V02	0.200
	16	V01	0.200
	20	V0	0.200
	25	V1	0.200
	32	V2	0.200
	50	V3	0.500
	80	V4	0.500
	125	V5	0.900
175	V6	0.900	



V0



V4

(1) Enclosure not suitable in atmosphere contaminated with harsh substances (detergents, chlorine solvents, ketones, alcohol, aromatic hydrocarbons).

(2) For characteristics of switch-disconnectors, please consult your Regional Sales Office.

TeSys Control

Enclosures for DOL starters / To be completed with ref. GV2ME, LC1K

Product references



Dimensions:
p. A1/44

Schemes:
p. A1/44



LE1GVMEK, LE1GVMEKA59

Empty enclosures with sealing device

Composition	Reference
Insulating enclosure with GV2E01 sealing device	LE1GVMEK
Insulating enclosure with GV2E01 sealing device, neutral terminal	LE1GVMEKA59

Direct-on-line starters characteristics

(based on LE1GVMEK enclosure + GV2ME circuit breaker + LC1K contactor assemblies)

Functions / range / specificities:

- Circuit Isolation
- Protection against short circuit
- Motor protection: motor OFF in case of overload – manual reset with the black pushbutton.
- ON/OFF motor control
- Functions can be completed with optional components: remote control, signaling.

Enclosures characteristics:

- Conforming to IEC 60947-4-1 standard
- Degree of protection IP55 , according IEC 60529
- Ambient air temperature in operation -5 to +40°C
- Operating position: same as K series contactors
- Material: polycarbonate ⁽¹⁾.

■ 6 ratings of direct-on-line starters from 0.37 to 5.5 kW (400 V AC) can be realized, based the combinations of circuit breaker + contactor to be ordered separately:

- GV2ME thermal magnetic circuit breaker, of the required rating (see below)
- LC1K contactor, of the required rating (see below)
- optional accessories (indicating light, On pushbutton, sealing kit...).

Circuit breakers + contactors - Type 1 coordination ⁽²⁾

Standard power ratings of 3-phase motors 50/60 Hz in AC-3			Setting range of thermal trips	Magnetic tripping current I _n	For customer assembly	
400/415 V	440 V	500 V			Motor circuit breaker Reference	Contactor Reference to be completed with the coil voltage code ⁽³⁾
kW	kW	kW	A	A		
0.37	0.37	0.37	1...1.6	26.2	GV2ME06	LC1K0610●●
0.55	0.55	0.55				
-	-	0.75				
0.75	0.75	-	1.6...2.5	39	GV2ME07	LC1K0610●●
-	1.1	1.1				
1.1	-	1.5	2.5...4	74	GV2ME08	LC1K0610●●
1.5	1.5	2.2				
2.2	2.2	-	4...6.3	91	GV2ME10	LC1K0610●●
-	3	3				
3	-	4	6...10	149	GV2ME14	LC1K0910●●
4	4	5.5				
5.5	5.5	7.5	9...14	253.4	GV2ME16	LC1K1210●●

Coil voltage codes

Volts	24	110	220/230	230	230/240	380/400
~ 50/60 Hz	B7	F7	M7	P7	U7	Q7
---	BW3	-	-	-	-	-

BW3 coil: low consumption (1.5 W), wide range (0.7...1.3 Uc) with integral suppression device as standard.

⁽¹⁾ Avoid placing this material in contact with harsh substances (detergents, chlorine solvents, ketones, alcohol, aromatic hydrocarbons).

⁽²⁾ Extract from Coordination tables see chapter A6.

⁽³⁾ Please check the availability of your variant in the index page A1/30. The SEARCH function of your viewer can be used.



GV2ME●●



LC1K0610●●

TeSys Control

Empty enclosures for standard starters

Product references



Dimensions:
p. A1/41

Enclosed
starters

PB112204.eps



DE1DS1A04

PB112209.eps



DE1DS1A05

PB112209.eps



DE1DS1

PB112275.eps



DE1DS1A13

Empty enclosures for starters without isolating device

Head(s) mounted on cover	Designed for use with	Reference
Without	LE1D09 and D12	DE1DS1A04
	LE1D18...D35	DE1DS2A04
	LE2D09...D35	DE1DS2A04
1 flush blue head "R"	LE1D09 and D12	DE1DS1A05
	LE1D18...D35	DE1DS2A05
	LE2D09...D35	DE1DS2A05
1 flush green head "I" 1 projecting red head "O"	LE1D09 and D12	DE1DS1
	LE1D18...D35	DE1DS2
1 flush blue head "R" 1 switch with 2 fixed positions	LE1D09 and D12	DE1DS1A13
	LE1D18...D35	DE1DS2A13

TeSys Control

Empty enclosures for safety starters

Product references



Dimensions:
p. A1/45

PB11091.eps



DE1KS217A06

PB11096.eps



DE1KS217A06A37

Empty enclosures for security starters

Designed for use with	Head(s) mounted on cover	Add-on blocks	Reference
LG7	Without		DE1KS217A04
	1 flush white head "I" 1 projecting black head "O"		DE1KS217A06
	1 flush white head "I" 1 projecting black head "O" 1 head emergency stop	Padlocking devices	DE1KS217A06A37

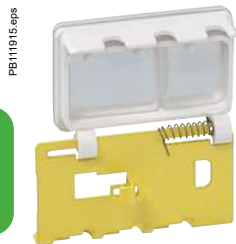
Enclosed starters

TeSys Control

TeSys Control accessories for standard and safety starters

Product references

Enclosed starters



GV2V01



GV2K011



GV2K021



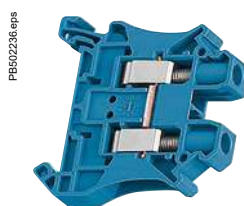
GV2K031



GV2K04



GV2E01 – GV2E02



NSYTRV62BL



NSYTRAC22BL



GV2CP21

Accessories				
Description		Sold in lots of	Unit reference	Weight kg
Padlocking device ⁽⁶⁾ for GV2ME operator (padlocking is only possible in the "O" position)	1 to 3 padlocks Ø 4 to 8 mm	1	GV2V01	0.075
Mushroom head Spring return ⁽²⁾ pushbutton Ø 40 mm, red, IP55		1	GV2K011	0.052
Emergency stop Latching ⁽²⁾	Key release, key n° 455	1	GV2K021	0.160
	Turn to release	1	GV2K031	0.115
	Turn to release, padlockable	1	GV2K04 ⁽¹⁾	0.120
Sealing kit	For enclosures and front plate	10	GV2E01	0.012
	IP 55 for temperature between +5 °C and +40 °C	10	GV2E02	0.012
	IP 55 for temperature between -20 °C and +40 °C			
Lincery passthrough neutral terminal block – 6 mm ² 41 A single-level 1x1 screw		50	NSYTRV62BL	0.015
End cover for Lincery screw single-level terminal block		50	NSYTRAC22BL	0.003

⁽¹⁾ Circuit breaker to be ordered separately. Commercial references of GV2ME01 to M22: see chapter B6 "Circuit breakers".

⁽²⁾ Supplied with IP55 GV2E01 sealing kit. To be fitted with enclosure GV2M●01.

⁽³⁾ Padlockable in "O" position using Ø 4 to 8 mm shank padlocks.

Separate front plate for GV2ME

Provides a sealing cover to GV2ME circuit breaker, on any kind of front panel.

Front plate			
Description		Reference	Weight kg
For direct control, through a panel, of a chassis mounted GV2ME	IP55	GV2CP21	0.800

TeSys Control

TeSys Control accessories for standard and safety starters

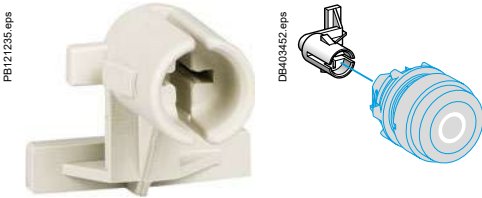
Product references



ZB5AA331



ZB5AL432



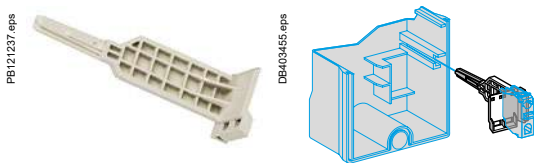
LAD9091



ZB5AD●



ZENL1111



LAD90909

Heads for Start and Stop/Reset pushbuttons

Description	For use on	Unit reference
Flush, green "I" ⁽¹⁾	LE1, LE3, LE4, LE6 D09...D35	ZB5AA331
Projecting, red "O" ⁽¹⁾	LE●D09...D35	ZB5AL432
Adaptation kit for head ZB5AL432	LE1D09 and D12	LAD9091
	LE1D18...D35, LE2D09...D35	LAD91810
	LE3, LE4, LE6 and LE8 D09...D35	LAD9T4

Heads for Reset pushbuttons

Flush, blue "R" ⁽²⁾	LE●D09...D35	ZB5AA0
		+ ZBA639 ⁽³⁾
Adaptation kit for head ZB5AA0 + ZBA639	LE1D09 and D12	LAD9092
	LE1D18...D35, LE2D09...D35	LAD91810
	LE3, LE6, LE4 and LE8D09...D35	LAD9T4

Heads for selector switches

3-position stay put	LE1D09...D35●●A09	ZB5AD3
2-position stay put	LE1D09...D35●●A13	ZB5AD2
3-position spring return to centre	LE2D09...D35 LE8D09...D35	ZB5AD5

Contact blocks

1 N/O spring return	LE●D09...D35	ZENL1111
1 N/C spring return	LE●D09...D35	ZENL1121
Mounting for contact block	LE1D09 and D12	LAD90909
	LE1D18...D35, LE2, LE3, LE4, LE6 and LE8D09...D35	LAD91809

⁽¹⁾ Remember to order adaptation kit LAD9091 or LAD91810 or LAD9T4, depending on size.

⁽²⁾ Remember to order adaptation kit LAD9092 or LAD91810 or LAD9T4, depending on size.

⁽³⁾ Sold in lots of 10.

TeSys Control

Deca circuit breakers ref. GV2ME, undervoltage trips

Product references

Enclosed starters

PB121673.tif



GV2ME●●

Thermal magnetic circuit breakers, with screw clamp terminals

GV2ME with pushbutton control

Standard power ratings of 3-phase motors 50/60 Hz in category AC-3									Setting range of thermal trips (2)	Magnetic tripping current I _i ± 20 %	Reference
400/415 V			500 V			690 V					
P	I _{cu}	I _{cs} (1)	P	I _{cu}	I _{cs} (1)	P	I _{cu}	I _{cs} (1)			
kW	kA	%	kW	kA	%	kW	kA	%	A	A	
-	-	-	-	-	-	-	-	-	0.1...0.16	1.93	GV2ME01
0.06	*	*	-	-	-	-	-	-	0.16...0.25	3.08	GV2ME02
0.09	*	*	-	-	-	-	-	-	0.25...0.40	5.8	GV2ME03
0.12	*	*	-	-	-	0.37	*	*	0.40...0.63	9.3	GV2ME04
0.18	*	*	-	-	-	-	-	-			
0.25	*	*	-	-	-	0.55	*	*	0.63...1	15.1	GV2ME05
0.37	*	*	0.37	*	*	-	-	-	1...1.6	26.2	GV2ME06
0.55	*	*	0.55	*	*	0.75	*	*			
-	-	-	0.75	*	*	1.1	*	*			
0.75	*	*	1.1	*	*	1.5	3	75	1.6...2.5	39	GV2ME07
1.1	*	*	1.5	*	*	2.2	3	75	2.5...4	74	GV2ME08
1.5	*	*	2.2	*	*	3	3	75			
2.2	*	*	3	50	100	4	3	75	4...6.3	91	GV2ME10
3	*	*	4	10	100	5.5	3	75	6...10	149	GV2ME14
4	*	*	5.5	10	100	7.5	3	75			
5.5	15	50	7.5	6	75	9	3	75	9...14	253.4	GV2ME16
-	-	-	-	-	-	11	3	75			
7.5	15	50	9	6	75	15	3	75	13...18	341	GV2ME20
9	15	40	11	4	75	18.5	3	75	17...23	341	GV2ME21
11	15	40	15	4	75	-	-	-	20...25	388.3	GV2ME22 (3)

GV2ME technical characteristics: see chapter B6.

Undervoltage trip, INRS (can only be mounted on GV2ME)

Safety device for dangerous machines conforming to INRS and VDE0113

Side (1 block on RH side of circuit breaker GV2 ME)	Voltage	Frequency	Reference
110...115 V	50 Hz		GVAX115
	60 Hz		GVAX116
	60 Hz		GVAX115
127 V	60 Hz		GVAX115
	60 Hz		GVAX226
220...240 V	50 Hz		GVAX225
	60 Hz		GVAX226
380...400 V	50 Hz		GVAX385
	60 Hz		GVAX386
415...440 V	50 Hz		GVAX415
	60 Hz		GVAX385

GVAX technical characteristics: please refer to chapter B6.

(1) As % of I_{cu}.

(2) The thermal trip setting must be within the range marked on the graduated knob.

(3) Maximum rating which can be mounted in enclosures GV2MC or MP, please consult your Regional Sales Office.

* > 100 kA.

PB121677.eps



GVAX●●●

TeSys Control

LR2K, Deca thermal overload relays

Product references

PB123794.fr



LR2K●●

Thermal overload relays - selection table

LR2K thermal overload relays can be mounted on all 3P LC1K contactors with screw clamp connectors.

Class 10 A (the standard specifies a tripping time of between 2 and 10 seconds at 7.2 In)

Relay setting range	Fuses to be used with selected relay Maximum rating Type			Reference
	aM	gG	BS88	
A	A	A	A	
0.11...0.16	0.25	0.5	–	LR2K0301
0.16...0.23	0.25	0.5	–	LR2K0302
0.23...0.36	0.5	1	–	LR2K0303
0.36...0.54	1	1.6	–	LR2K0304
0.54...0.8	1	2	–	LR2K0305
0.8...1.2	2	4	6	LR2K0306
1.2...1.8	2	6	6	LR2K0307
1.8...2.6	4	8	10	LR2K0308
2.6...3.7	4	10	16	LR2K0310
3.7...5.5	6	16	16	LR2K0312
5.5...8	8	20	20	LR2K0314
8...11.5	10	25	20	LR2K0316
10...14	16	32	25	LR2K0321
12...16	20	40	32	LR2K0322

Enclosed starters

PB121670.fr




LRD●●

LRD thermal overload relays can only be mounted on LC1D contactors of same size ratio and with screw clamp connectors.

Relay setting range (A)	Fuses to be used with selected relay			For use with contactor LC1	Reference
	aM (A)	gG (A)	BS88 (A)		
Class 10 A⁽¹⁾ for connection by screw clamp terminals or connectors					
0.10...0.16	0.25	2	–	D09...D38	LRD01
0.16...0.25	0.5	2	–	D09...D38	LRD02
0.25...0.40	1	2	–	D09...D38	LRD03
0.40...0.63	1	2	–	D09...D38	LRD04
0.63...1	2	4	–	D09...D38	LRD05
1...1.6	2	4	6	D09...D38	LRD06
1.6...2.5	4	6	10	D09...D38	LRD07
2.5...4	6	10	16	D09...D38	LRD08
4...6	8	16	16	D09...D38	LRD10
5.5...8	12	20	20	D09...D38	LRD12
7...10	12	20	20	D09...D38	LRD14
9...13	16	25	25	D12...D38	LRD16
12...18	20	35	32	D18...D38	LRD21
16...24	25	50	50	D25...D38	LRD22
23...32	40	63	63	D25...D38	LRD32
30...38	40	80	80	D32 and D38	LRD35

DE1DS1	KZ28	LE1D18Q7	LE1M35N712
DE1DS1A04	KZ30	LE1D18Q7A09	LE1M35N714
DE1DS1A05	KZ50	LE1D18R7	LE1M35N716
DE1DS1A13	KZ52	LE1D18U7	LE1M35N721
DE1DS2	KZ62	LE1D18V7	LE1M35N722
DE1DS2A04	KZ65	LE1D18V7A04	LE1M35P7
DE1DS2A05	KZ66	LE1D18V7A05	LE1M35P705
DE1DS2A13	KZ67	LE1D18V7A13	LE1M35P706
DE1KS217A04	KZ77	LE1D25B7	LE1M35P707
DE1KS217A06	KZ93	LE1D25F7	LE1M35P708
DE1KS217A06A29	LAD90909	LE1D25M7	LE1M35P710
DE1KS217A06A37	LAD9091	LE1D25M7A09	LE1M35P712
DE1KS217A29	LAD9092	LE1D25N7	LE1M35P714
DE1KS217A29A37	LAD91809	LE1D25P7	LE1M35P716
DE1KS217A37	LAD91810	LE1D25P7A04	LE1M35P721
DE2DS2	LAD9T4	LE1D25P7A05	LE1M35P722
DK1FB005	LC1KV7A80	LE1D25P7A13	LE1M35Q7
GV2CP21	LE1D09B7	LE1D25Q7	LE1M35Q705
GV2E01	LE1D09E7	LE1D25Q7A09	LE1M35Q706
GV2E02	LE1D09F7	LE1D25R7	LE1M35Q707
GV2E03	LE1D09M7	LE1D25U7	LE1M35Q708
GV2K011	LE1D09M7A04	LE1D25V7	LE1M35Q710
GV2K021	LE1D09M7A13	LE1D25V7A04	LE1M35Q712
GV2K031	LE1D09N7	LE1D25V7A13	LE1M35Q714
GV2K04	LE1D09N7A04	LE1D35B7	LE1M35Q716
GV2MC01	LE1D09P7	LE1D35E7	LE1M35Q721
GV2MC02	LE1D09P7A04	LE1D35F7	LE1M35Q722
GV2MC03	LE1D09P7A05	LE1D35M7	LE1M35R705
GV2MCK04	LE1D09P7A09	LE1D35N7	LE1M35R706
GV2ME01	LE1D09P7A13	LE1D35P7	LE1M35R708
GV2ME02	LE1D09P7A13T	LE1D35P7A04	LE1M35R710
GV2ME03	LE1D09P7A95	LE1D35P7A05	LE1M35R714
GV2ME04	LE1D09P7T	LE1D35Q7	LE1M35R716
GV2ME05	LE1D09Q7	LE1D35R7	LE1M35R721
GV2ME06	LE1D09Q7A04	LE1D35U7	LE1M35R722
GV2ME07	LE1D09Q7A05	LE1D35V7	LE1M35U706
GV2ME08	LE1D09Q7A13	LE1D40AFE7	LE1M35U707
GV2ME10	LE1D09R7	LE1D40AP7	LE1M35U708
GV2ME14	LE1D09U7	LE1D40AQ7	LE1M35U710
GV2ME16	LE1D09U7A13	LE1D50AFE7	LE1M35U712
GV2ME20	LE1D09V7	LE1D50AP7	LE1M35U714
GV2ME21	LE1D09V7A04	LE1D50AP7A04	LE1M35U716
GV2ME22	LE1D09V7A09	LE1D50AQ7	LE1M35U721
GV2MP01	LE1D09V7A13	LE1D65AP7	LE1M35U722
GV2MP02	LE1D12E7	LE1D65AP7A04	LE1M35V7
GV2MP03	LE1D12F7	LE1D65AQ7	LE1M35V706
GV2MP04	LE1D12M7	LE1GVMEK	LE1M35V707
GV2PC01	LE1D12M7A04	LE1GVMEKA59	LE1M35V708
GV2PC02	LE1D12M7A09	LE1M35B705	LE1M35V710
GV2V01	LE1D12N7	LE1M35B706	LE1M35V712
GV3PC01	LE1D12P7	LE1M35B707	LE1M35V714
GV3PC02	LE1D12P7A04	LE1M35B710	LE1M35V716
GVAX115	LE1D12P7A05	LE1M35B712	LE1M35V721
GVAX116	LE1D12P7A13	LE1M35B714	LE1M35V722
GVAX225	LE1D12Q7	LE1M35B716	LE2D09M7
GVAX226	LE1D12R7	LE1M35F710	LE2D09N7
GVAX385	LE1D12U7	LE1M35M7	LE2D09P7
GVAX386	LE1D12U7A09	LE1M35M705	LE2D09Q7
GVAX415	LE1D12V7	LE1M35M706	LE2D09U7
KAD1PZ	LE1D12V7A04	LE1M35M707	LE2D09V7
KCC1Y	LE1D12V7A05	LE1M35M708	LE2D12B7
KZ101	LE1D12V7A09	LE1M35M710	LE2D12N7
KZ103	LE1D12V7A13	LE1M35M712	LE2D12Q7
KZ106	LE1D18E7	LE1M35M714	LE2D12U7
KZ13	LE1D18F7	LE1M35M716	LE2D12V7
KZ14	LE1D18M7	LE1M35M721	LE2D18M7
KZ15	LE1D18N7	LE1M35M722	LE2D18N7
KZ16	LE1D18N7A04	LE1M35N705	LE2D18P7
KZ18	LE1D18P7	LE1M35N706	LE2D18V7
KZ20	LE1D18P7A04	LE1M35N707	LE2D25M7
KZ21	LE1D18P7A05	LE1M35N708	LE2D25N7
KZ27	LE1D18P7A13	LE1M35N710	LE2D25P7

This document is current.  Click on the product reference to get the most recent availability status (hyperlink to [se.com](https://www.se.com) product datasheet).
If your product variant is no longer available, please consult your distributor or regional sales office.

LE2D25V7	LG1K065Q704	LG7K06Q704	LJ8K06Q707A04
LE2D35P7	LG1K065Q705	LG7K06Q705	LJ8K06Q708
LE2D35V7	LG1K065Q706	LG7K06Q706	LJ8K06Q710
LE2D40AP7	LG1K065Q706A37	LG7K06Q706A29	LJ8K09Q7
LE2D40AQ7	LG1K065Q707	LG7K06Q707	LJ8K09Q714
LE2D65AQ7	LG1K065Q707A37	LG7K06Q707A29	LR2K0301
LE2K064N7	LG1K065Q708	LG7K06Q708	LR2K0302
LE2K065M7	LG1K065Q708A37	LG7K06Q708A29	LR2K0303
LE2K065P7	LG1K065Q710	LG7K06Q710	LR2K0304
LE2K065Q7	LG1K065Q710A37	LG7K06Q710A29	LR2K0305
LE2K065U7	LG1K065V702	LG7K06V707	LR2K0306
LE2K065V7	LG1K065V704	LG7K06V708	LR2K0307
LE2K095U7	LG1K065V706	LG7K06V710	LR2K0308
LE2K095V7	LG1K065V710	LG7K09M7	LR2K0310
LE3D09B7	LG1K095M7	LG7K09M714	LR2K0312
LE3D09N7	LG1K095M714	LG7K09M714A04	LR2K0314
LE3D09P7	LG1K095M714A37	LG7K09N714	LR2K0316
LE3D09P7A04	LG1K095N714	LG7K09P714	LR2K0321
LE3D09Q7	LG1K095P714	LG7K09Q714	LR2K0322
LE3D09V7	LG1K095Q7	LG7K09V714	LRD01
LE3D09V7A04	LG1K095Q714	LG8K06B707	LRD02
LE3D12B7	LG1K095Q714A37	LG8K06M7	LRD03
LE3D12M7	LG7D12B716	LG8K06M702	LRD04
LE3D12N7	LG7D12M7	LG8K06M704	LRD05
LE3D12P7	LG7D12M716	LG8K06M705	LRD06
LE3D12P7A04	LG7D12N716	LG8K06M706	LRD07
LE3D12Q7	LG7D12P716	LG8K06M707	LRD08
LE3D12U7	LG7D12Q716	LG8K06M710	LRD10
LE3D12V7	LG7D12V716	LG8K06N705	LRD12
LE3D18B7	LG7D18B720	LG8K06N706	LRD14
LE3D18M7	LG7D18B721	LG8K06N707	LRD16
LE3D18N7	LG7D18M7	LG8K06Q7	LRD21
LE3D18P7	LG7D18M720	LG8K06Q702	LRD22
LE3D18P7A04	LG7D18M721	LG8K06Q703	LRD32
LE3D18Q7	LG7D18P720	LG8K06Q704	LRD35
LE3D18U7	LG7D18Q7	LG8K06Q705	NSYTRAC22BL
LE3D18V7	LG7D18Q720	LG8K06Q706	NSYTRV62BL
LE3D35M7	LG7D18Q721	LG8K06Q707	V0
LE3D35N7	LG7D18V720	LG8K06Q707A14	V01
LE3D35P7	LG7K06B703	LG8K06Q708	V02
LE3D35Q7	LG7K06B704	LG8K06Q708A39	V1
LE3D35U7	LG7K06B706	LG8K06Q710	V2
LE3D35V7	LG7K06B707	LG8K09M7	V3
LG1D122M716	LG7K06B710	LG8K09M714	V4
LG1D122P716	LG7K06B710A04	LG8K09N714	V5
LG1D122Q7	LG7K06M7	LG8K09Q714	V6
LG1D122Q716	LG7K06M702	LG8K12Q716	VBD0
LG1D182M720	LG7K06M703	LJ7K06Q7	VBD01
LG1D182M721	LG7K06M704	LJ7K06Q702	VBD02
LG1D182N720	LG7K06M705	LJ7K06Q703	VBD1
LG1D182Q7	LG7K06M705A04	LJ7K06Q705	VBD2
LG1D182Q720	LG7K06M705A29	LJ7K06Q705A04	VBDN12
LG1K065M703	LG7K06M706	LJ7K06Q705A29	VBDN20
LG1K065M705	LG7K06M707	LJ7K06Q706	VBF0
LG1K065M705A37	LG7K06M707A04	LJ7K06Q706A04	VBF01
LG1K065M706	LG7K06M707A39	LJ7K06Q707	VBF01GE
LG1K065M707	LG7K06M708	LJ7K06Q707A04	VBF02
LG1K065M707A37	LG7K06M708A04	LJ7K06Q707A29	VBF02GE
LG1K065M708	LG7K06M708A29	LJ7K06Q708	VBF0GE
LG1K065M710	LG7K06M710	LJ7K06Q708A04	VBF1
LG1K065M710A37	LG7K06M710A04	LJ7K06Q708A29	VBF1GE
LG1K065N705	LG7K06M710A29	LJ7K06Q710	VBF2
LG1K065N706	LG7K06N704	LJ7K06Q710A04	VBF2GE
LG1K065N708	LG7K06N705	LJ7K09Q7	VBF3
LG1K065N710	LG7K06N706	LJ7K09Q714	VBF3GE
LG1K065P703	LG7K06N707	LJ7K09Q714A04	VBF4
LG1K065P707	LG7K06N710	LJ7K09Q7A04A39	VBF4GE
LG1K065P708	LG7K06P704	LJ8K06Q702	VBF5
LG1K065P710	LG7K06P708	LJ8K06Q704	VBF5GEN
LG1K065Q7	LG7K06P710	LJ8K06Q705	VBF6
LG1K065Q702	LG7K06Q7	LJ8K06Q706	VBF6GEN
LG1K065Q703	LG7K06Q702	LJ8K06Q707	VBFXGE1

This document is current.  Click on the product reference to get the most recent availability status (hyperlink to [se.com](https://www.se.com) product datasheet). If your product variant is no longer available, please consult your distributor or regional sales office.


TeSys Control

Enclosed switch-disconnectors and motor starters

Product references

Enclosed
starters

VBFXGE2	VCF0	VGP1	VZ27
VBFXGE4	VCF01	VGPLIC1P1	VZ28
VBFXGE6	VCF01GE	VN12	VZ29
VC1GUN	VCF01GEGP	VN20	VZ3
VC2GUN	VCF02	VVD0	VZ30
VC3GUN	VCF02GE	VVD1	VZ31
VC4GUN	VCF02GEGP	VVD2	VZ4
VC5GUN	VCF0GE	VVD3	VZ45
VC6GUN	VCF0GEGP	VVD4	VZ7
VCCD0	VCF1	VVE0	VZ8
VCCD01	VCF1GE	VVE1	VZ9
VCCD02	VCF1GEGP	VVE2	VZN05
VCCD1	VCF1YZ	VVE3	VZN06
VCCD2	VCF2	VVE4	VZN08
VCCDN12	VCF2GE	VZ0	VZN11
VCCDN20	VCF3	VZ01	VZN12
VCCF0	VCF3GE	VZ02	VZN14
VCCF01	VCF4	VZ1	VZN17
VCCF02	VCF4GE	VZ10	VZN19
VCCF1	VCF5	VZ11	VZN20
VCCF2	VCF5GEN	VZ12	VZN26
VCCF3	VCF6	VZ13	VZN30
VCCF4	VCF6GEN	VZ14	Z01
VCCF5	VCFN12GE	VZ15	ZB5AA331
VCCF6	VCFN20GE	VZ16	ZB5AD2
VCD0	VCFN25GE	VZ17	ZB5AD3
VCD01	VCFN32GE	VZ17L127	ZB5AD5
VCD02	VCFN40GE	VZ17L69	ZB5AL432
VCD1	VCFXGE1	VZ18	ZENL1111
VCD2	VCFXGE2	VZ2	ZENL1121
VCDN12	VCFXGE4	VZ20	
VCDN20	VCFXGE6	VZ26	

This document is current.  Click on the product reference to get the most recent availability status (hyperlink to [se.com](https://www.se.com) product datasheet).
If your product variant is no longer available, please consult your distributor or regional sales office.

Technical Data for Designers

Contents

Switch-disconnectors	A1/34 to A1/36
Direct-on-line starters	A1/37 to A1/42 and A1/44
Star-delta starters	A1/43
Starters for safety applications	A1/45 to A1/48

TeSys Control

Enclosed switch-disconnectors

Dimensions



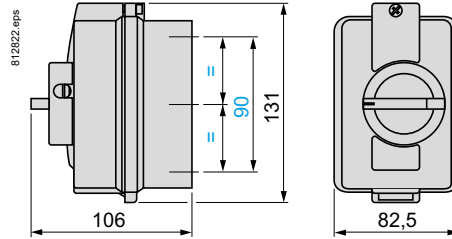
References:
p. A1/3 to A1/22

Schemes:
p. A1/35

Enclosed
starters

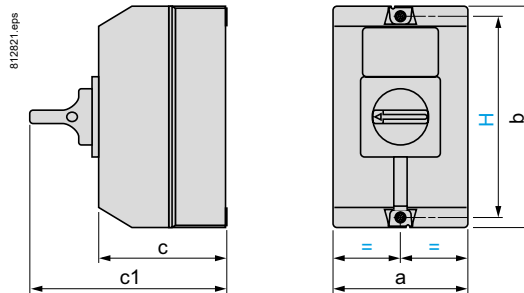
Dimensions

VCFN12GE to VCFN40GE



Cable glands: 2x ISO 20 top and bottom, 2x ISO 16 rear.

VCF or VBF02GE to 4GE, VCF●●GEGP and VCF●GEGP, VCFX or VBFXGE1 to GE4

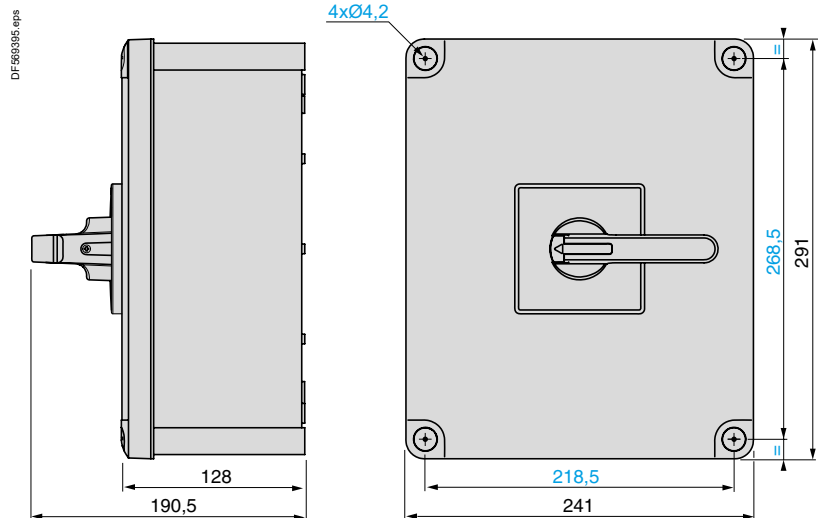


	a	b	c	c1	H
V●F02GE to V●F2GE, V●FXGE1 VCF●●GEGP and VCF●GEGP ⁽¹⁾	90	146	85	131	130
V●F3GE and V●F4GE ⁽²⁾	157	180	107	152	164
V●FXGE2 and V●FXGE4 ⁽²⁾	157	180	107	152	164

⁽¹⁾ Cable glands: 2x ISO 16 rear, 4x ISO 20/25 top and bottom.

⁽²⁾ Cable glands: 4x ISO 25/32 rear, 4x ISO 25/32 top and bottom.

VCF or VBF5GEN and 6GEN





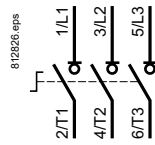
References:
p. A1/3 to A1/22

Dimensions:
p. A1/34

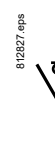
Schemes

Switch-disconnectors

Enclosed or switch bodies



Main pole module



Neutral pole module



Auxiliary contact blocks

VZ7



VZ20



VZN05



VZN06



TeSys Control

Enclosed switch-disconnectors / UL - CSA

Dimensions, schemes

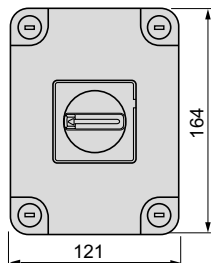
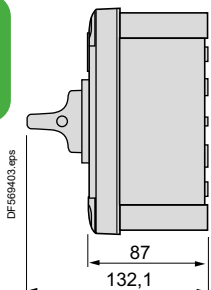


References:
p. A1/4

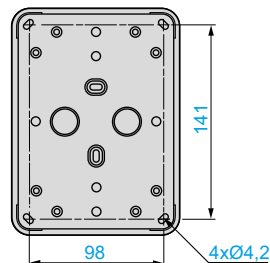
Dimensions

VC1GUN and VC2GUN

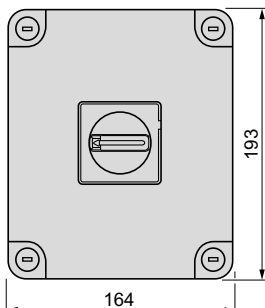
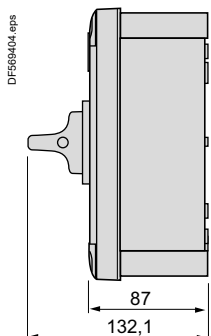
Enclosed starters



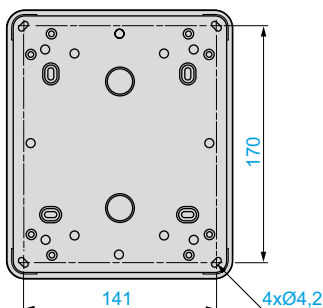
Fixing (rear view)



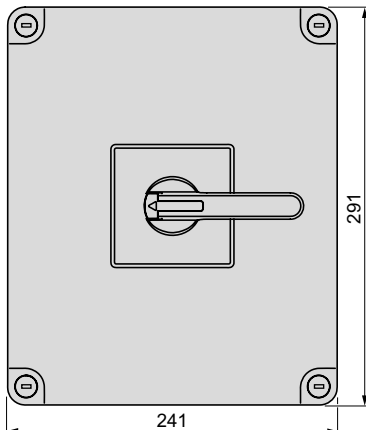
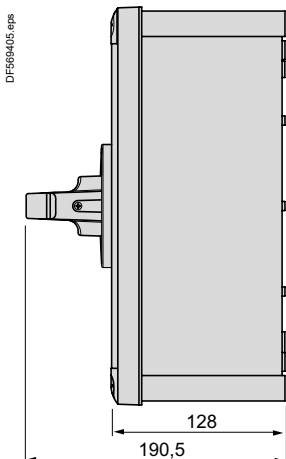
VC3GUN and VC4GUN



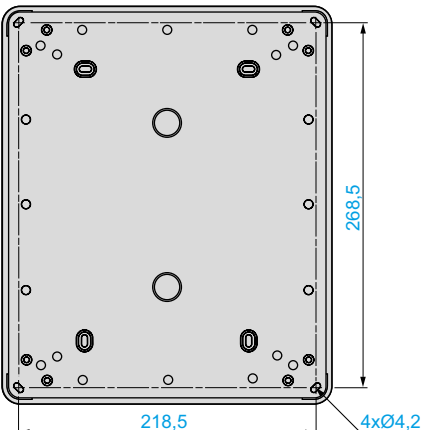
Fixing (rear view)



VC5GUN and VC6GUN



Fixing (rear view)



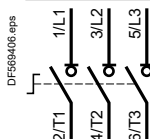
Schemes

Switch-disconnectors

Enclosed switch-disconnectors or switch bodies

Main pole module

Neutral pole module



Auxiliary contact block modules

VZ7

VZ20



TeSys Control

Enclosed standard starters / DOL

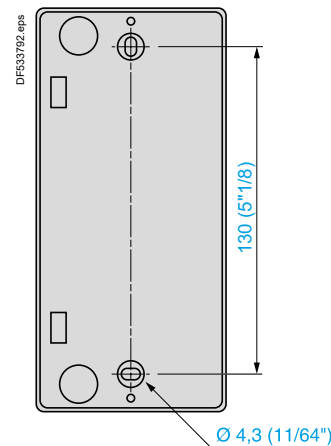
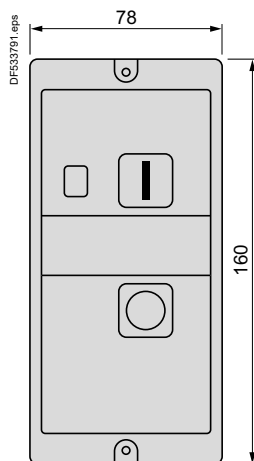
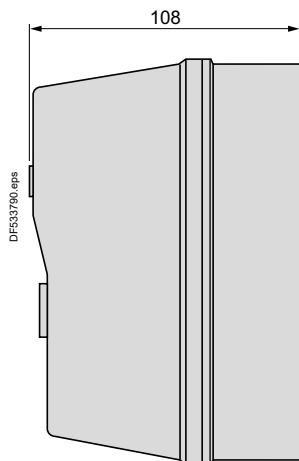
Dimensions, schemes



References:
p. A1/7

Dimensions

LE1M35 ⁽¹⁾



Knock-outs or blanking plugs for cable glands

Enclosure type	At top		At bottom	
	PG	ISO	PG	ISO
LE1 M	2 x 13 to 2 x 21	2 x 20 or 2 x 25	2 x 13 to 2 x 21	2 x 20 or 2 x 25

⁽¹⁾ Can be mounted on machine panel or frame. Knock-outs for 4 x 13 P cable glands.

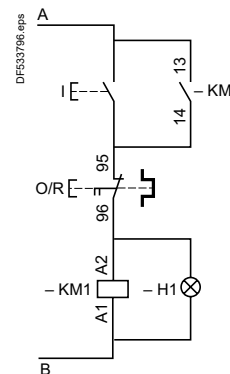
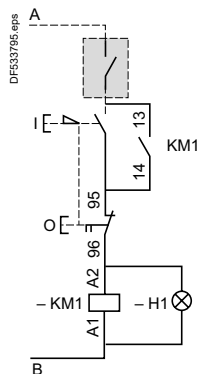
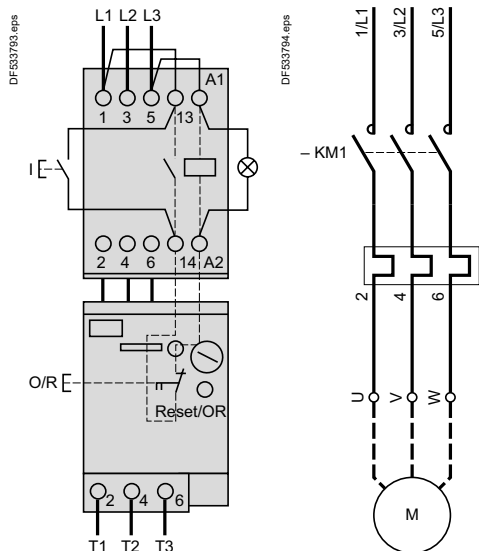
Schemes

LE1M35

Choice of type of control built into the product

Control by latching pushbuttons

Control by spring return pushbuttons



Connections

Power voltage	Control circuit voltage	A	B
380 V, 400 V, 415 V, 440 V	220 V, 230 V, 240 V	L3	Neutral
	380 V, 400 V, 415 V, 440 V	L3	L1
	Other voltages	For customer assembly	
Other voltages	All voltages (440 V max)	For customer assembly	

Enclosed starters

TeSys Control

Enclosed standard starters / DOL

Dimensions, schemes

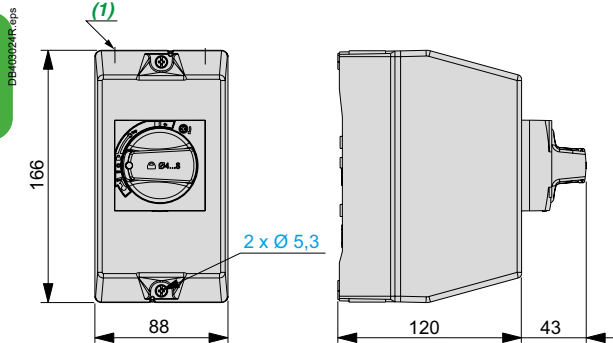


References:
p. A1/9 to A1/10

Dimensions

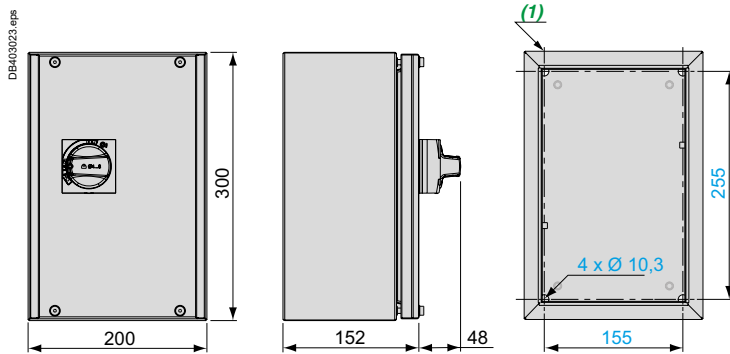
GV2PC●●

Enclosed starters



(1) Top face: 2 knock-outs for ISO20 cable glands.
Bottom face: 2 knock-outs for ISO20 cable glands.

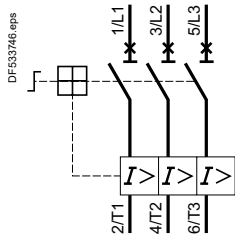
GV3PC●●



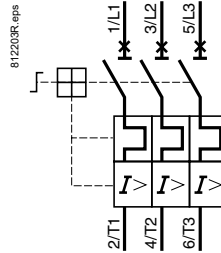
(1) Top face: 1 blanking plug for ISO32 cable gland.
Bottom face: 2 blanking plugs for ISO32 cable gland + 1 blanking plug for ISO20 cable gland.

Schemes

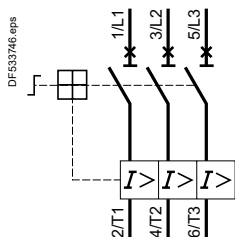
GV2L



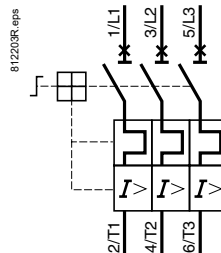
GV2P



GV3L



GV3P



TeSys Control

Enclosed standard starters / DOL

Dimensions, mounting

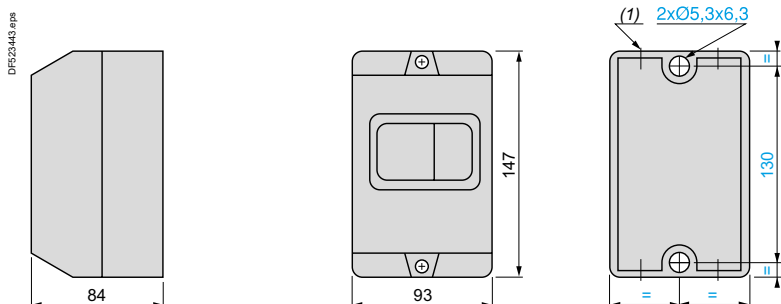


References:
p. A1/11 to A1/20

Schemes:
p. A1/40

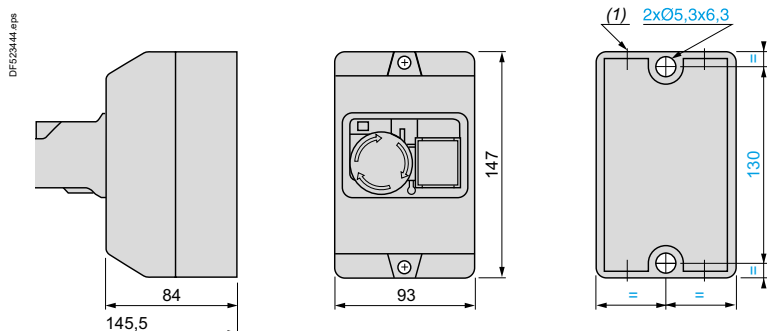
Dimensions

Surface mounting enclosure GV2MC0●



(1) Top face: 2 knock-outs for ISO20/25 cable glands or Pg16 or 16mm conduits.
Bottom face: 2 knock-outs for ISO20/25 cable glands or Pg16 or 16mm conduits.

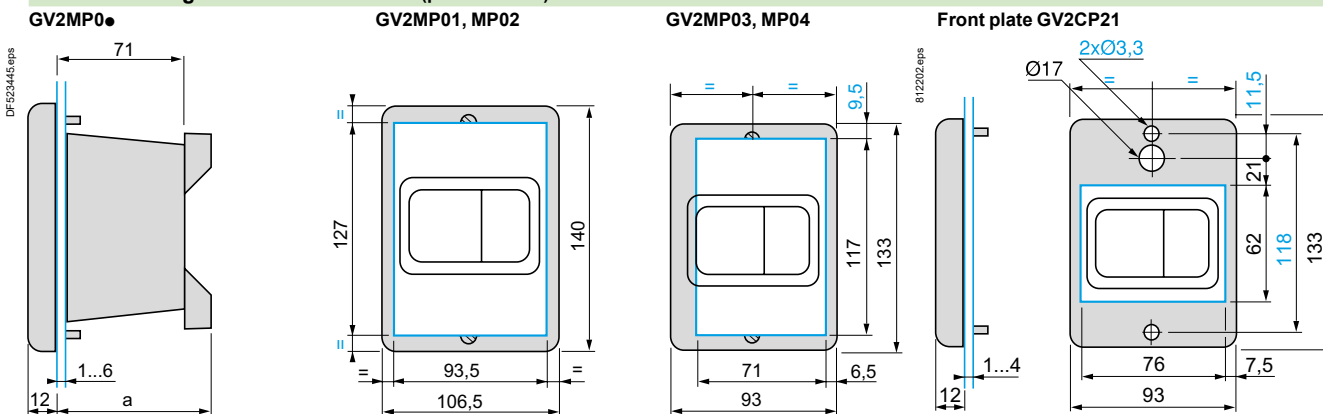
Surface mounting enclosure GV2MCK04



(1) Top face: 2 knock-outs for ISO20/25 cable glands or Pg16 or 16mm conduits.
Bottom face: 2 knock-outs for ISO20/25 cable glands or Pg16 or 16mm conduits.

Mounting

Flush mounting enclosures GV2MP0● (panel cut-out)



GV2	a
MP01, MP02	—
MP03, MP04	86

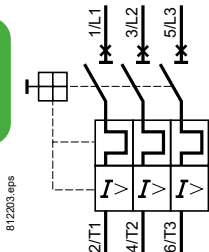


References:
p. A1/11 to A1/20

Dimensions:
p. A1/39

Schemes

GV2ME●●



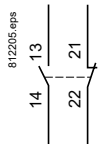
Enclosed starters

Instantaneous auxiliary contacts

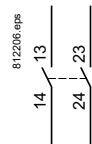
GVAE1



GVAE11

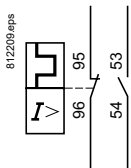


GVAE20

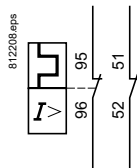


Instantaneous auxiliary contacts and fault signalling contacts

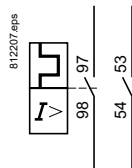
GVAD0110



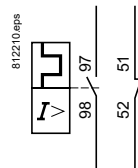
GVAD0101



GVAD1010

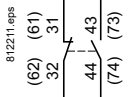


GVAD1001

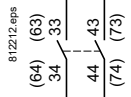


Instantaneous auxiliary contacts

GVAN11

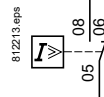


GVAN20



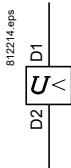
Short-circuit signalling contacts

GVAM11

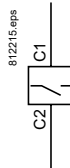


Undervoltage trips

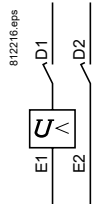
GVAU●●●



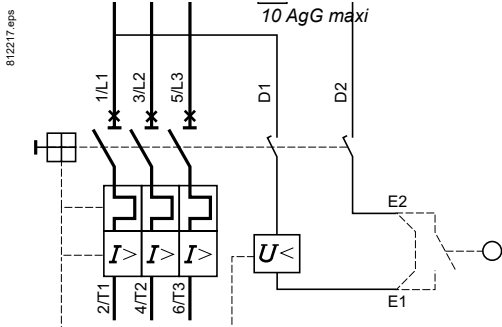
GVAS●●●



GVAX●●●



Wiring diagram for undervoltage trip used on potentially dangerous machines, conforming to INRS



TeSys Control

Enclosed standard starters / DOL, Reverser

Dimensions

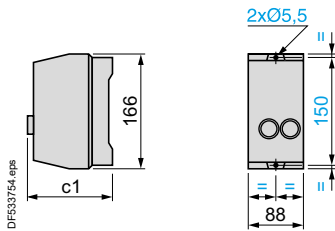


References:
p. A1/8, A1/12 to
A1/24

Schemes:
p. A1/42

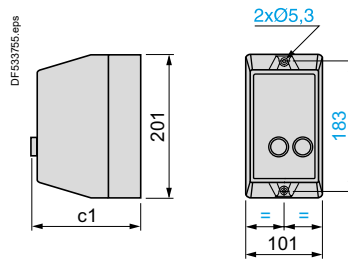
Dimensions

LE1D09 and D12



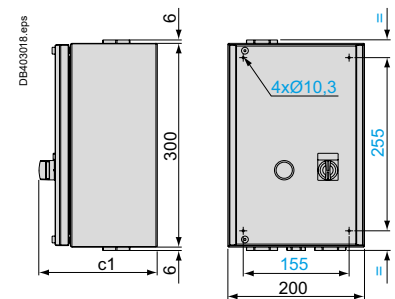
	c1
Standard version	128.5
Variant A04	120
Variant A05	128.5
Variant A09	120
Variant A13	120

LE1D09●●T LE1D18...D35 and LE2D09...D35



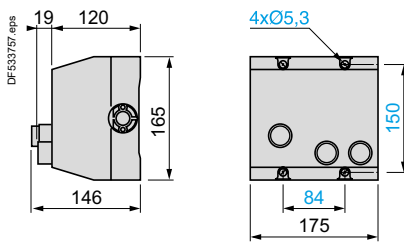
	c1	
	LE1D	LE2D
Standard version	153.5	160
Variant A04	145	145
Variant A05	153.5	153.5
Variant A09	160	–
Variant A13	160	–

LE1D40A...D65A LE2D40A...D65A



	c1	
	LE1D	LE2D
Standard version	158.5	174
Variant A04	150	150
Variant A05	158.5	158.5

LE2K06 and K09



Knock-outs or blanking plugs for cable glands

Type of enclosure	At top		At bottom	
	PG	ISO	PG	ISO
LE1D09 and D12	–	2 x 20	–	2 x 20
LE1D18...D35 and LE2D09...D35	–	2 x 20 or 2 x 25	–	2 x 20 or 2 x 25
LE1 and LE2D40A...D65A	–	1 x 32	–	1 x 20 and 2 x 32
LE2K06 and K09	2 x 13 and 2 x 16	4 x 20	2 x 13 and 2 x 16	4 x 20

TeSys Control

Enclosed standard starters / DOL, Reverser

Schemes



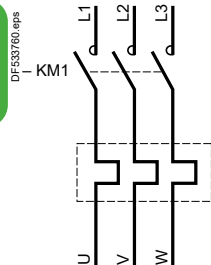
References:
p. A1/8 to A1/12

Dimensions:
p. A1/41

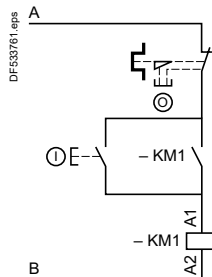
Enclosed starters

Schemes

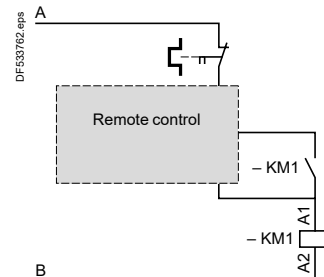
LE1D09...D65A



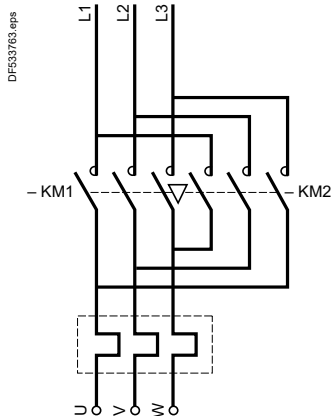
LE1D09...D65A



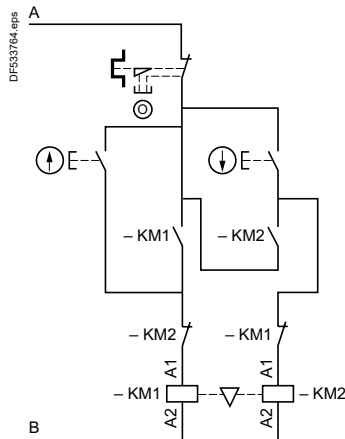
LE1D09...D65A with variant A04 or A05



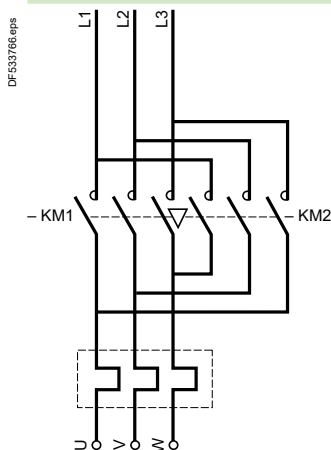
LE2K06, K09



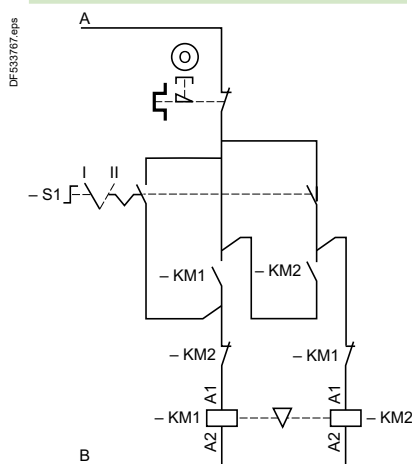
LE2K06, K09



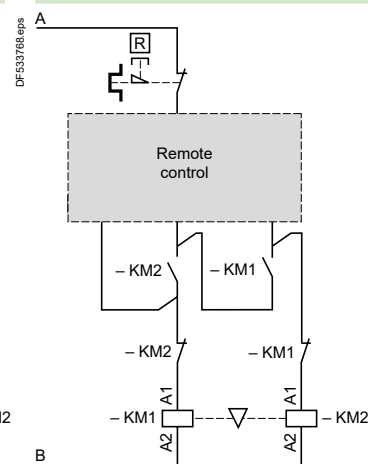
LE2D09...D65A



LE2D09...D65A



LE2D40A...D65A with variants A04 or A05



LE1D09...D65A, LE2D09...D65A Connections

Power voltage	Control circuit voltage	A	B
380 V, 400 V, 415 V, 440 V	220 V, 230 V, 240 V	L3	Neutral terminal
	380 V, 400 V, 415 V, 440 V	L3	L1
	Other voltages	Terminal 1	Terminal 2
Other voltages	Other voltages (600 V max)	For customer assembly	

LE2K06, K09 Connections

Power voltage	Control circuit voltage	A	B
380 V, 400 V, 415 V	220 V, 230 V, 240 V	L3	Neutral
	380 V, 400 V, 415 V	L3	L1
Other voltages	Other voltages (440 V max)	For customer assembly	

TeSys Control

Enclosed standard starters / Star-delta

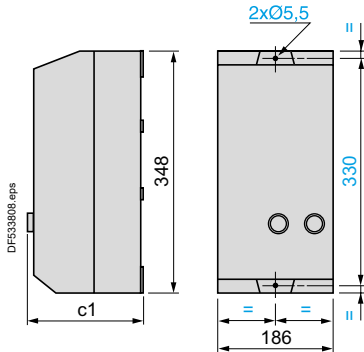
Dimensions, schemes



References:
p. A1/13

Dimensions

LE3D09...D35



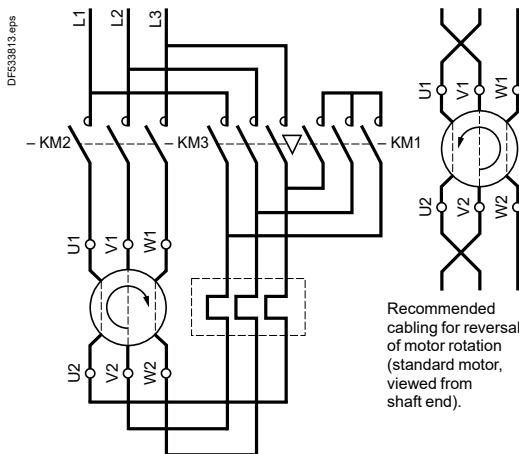
	c1
Standard version	175.5
Variant A04	167
Variant A05	175.5

Knock-outs or blanking plugs for cable glands

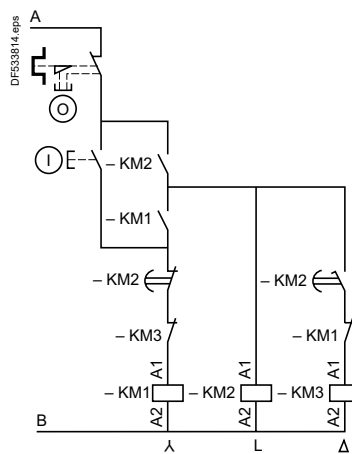
Type of enclosure	At top		At bottom	
	PG	ISO	PG	ISO
LE3D09...D35	–	2 x 20 or 2 x 25 or 2 x 32 or 2 x 40	–	2 x 20 or 2 x 25 or 2 x 32 or 2 x 40

Schemes

LE3D09...D35



LE3D09...D35



Note: in accordance with current installation regulations, short-circuit protection must be provided by fuses or a circuit breaker.

Connections

Power voltage	Control circuit voltage	A	B
380 V, 400 V, 415 V, 440 V	220 V, 230 V, 240 V	L3	Neutral terminal
	380 V, 400 V, 415 V, 440 V	L3	L1
	Other voltages	Terminal 1	Terminal 2
Other voltages	All voltages (600 V max)	For customer assembly	

TeSys Control

Enclosures for DOL starters

Dimensions, schemes

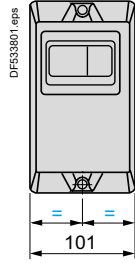
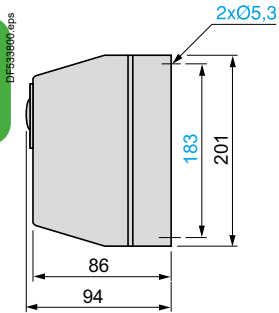


References:
p. A1/23

Dimensions

LE1GVMEK

Enclosed starters



Knock-outs or blanking plugs for cable glands

Enclosure type

At top

At bottom

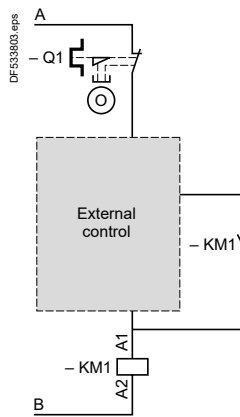
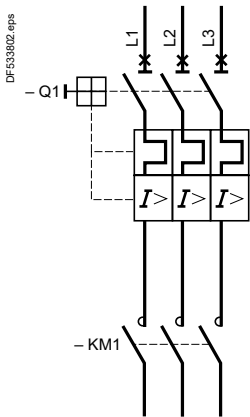
LE1GV

ISO
2 x 20 or 2 x 25

ISO
2 x 20 or 2 x 25

Schemes

LE1GVMEK



Connections

Power voltage

Control circuit voltage

A

B

380 V, 400 V, 415 V, 440 V

220 V, 230 V, 240 V

L3

Neutral

380 V, 400 V, 415 V, 440 V

L3

L1

Other voltages

For customer assembly

Other voltages

All voltages (440 V max)

For customer assembly

TeSys Control

Enclosed safety starters / DOL

Dimensions



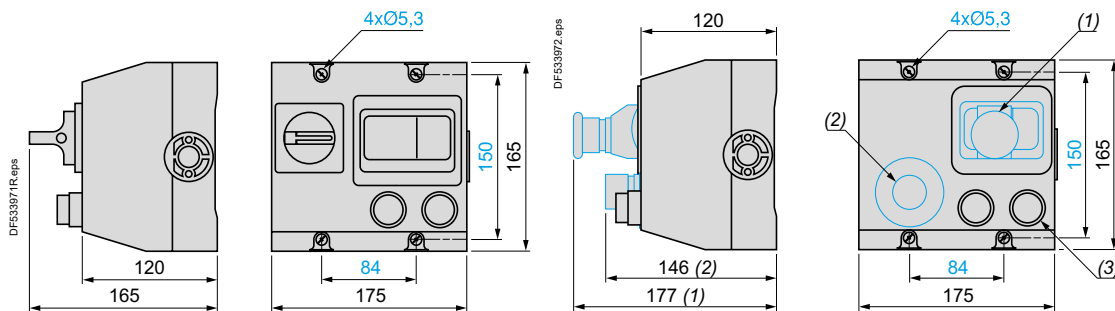
References:
p. A1/15 to A1/18

Schemes:
p. A1/46

Dimensions

LG1K06, K09
LG1D12, D18

LG7K06, K09, LG7D12, D18
LG8K06, K09, K12



- (1) Emergency Stop for starters LG●K06.
- (2) Emergency Stop for starters LG●K09, K12, D12 et D18.
- (3) Only for LG7.

Knock-outs or blanking plugs for cable glands

Type of enclosure	At top	At bottom
LG1K and LG1D	2 x 13 P and 2 x 16 P	2 x 13 P and 2 x 16 P
LG7K and LG7D	2 x 13 P and 2 x 16 P	2 x 13 P and 2 x 16 P
LG8K	2 x 13 P and 2 x 16 P	2 x 13 P and 2 x 16 P

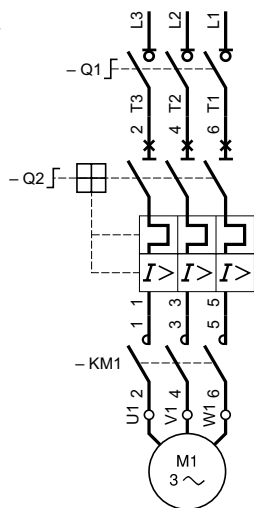


References:
p. A1/15 to A1/18

Dimensions:
p. A1/45

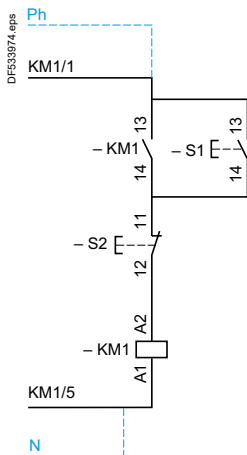
Schemes

LG1K06, K09, D12, D18



LG1K06, K09, D12, D18

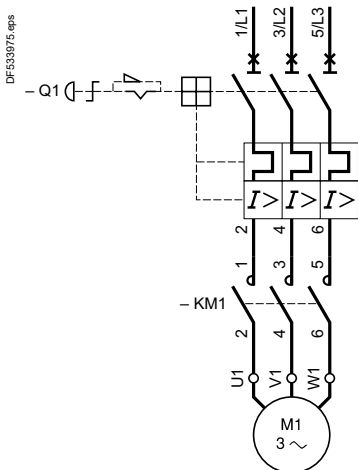
380/400 V, code Q7 or 400/415 V, code N7
220/230 V, code M7



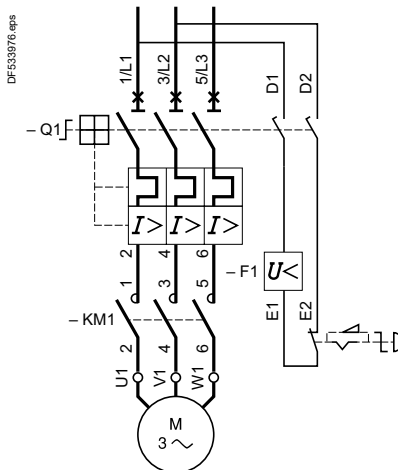
Enclosed starters

DF533974.eps

LG7K06

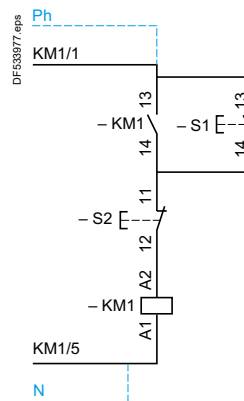


LG7K09, D12, D18

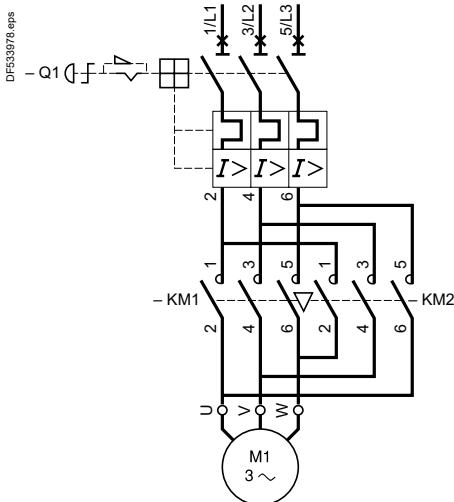


LG7K06, K09, D12, D18

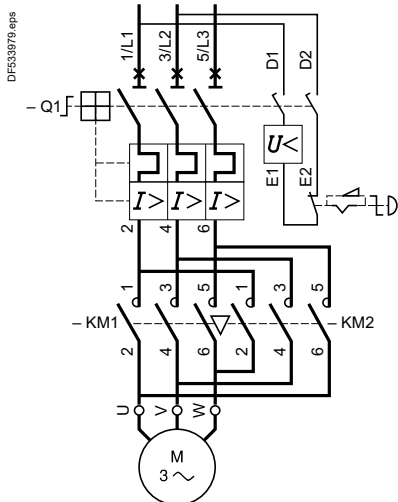
380/400 V, code Q7 or
400/415 V, code N7
220/230 V, code M7



LG8K06

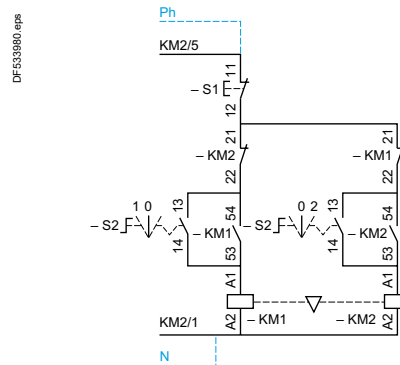


LG8K09, K12



LG8K06, K09, K12

380/400 V, code Q7 or
400/415 V, code N7
220/230 V, code M7



TeSys Control

Enclosed safety starters / DOL, Reverser

Dimensions

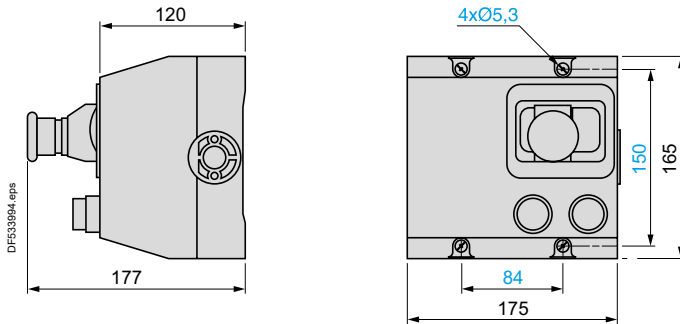


References:
p. A1/17 to A1/19

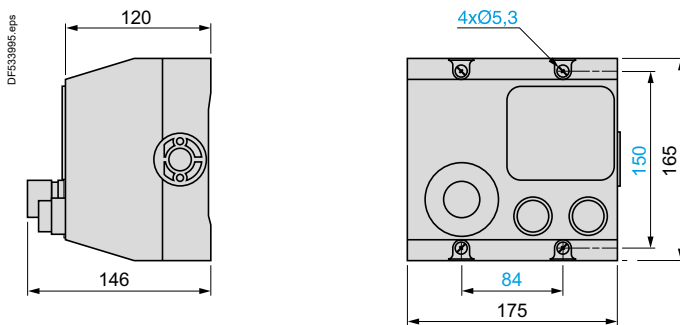
Schemes:
p. A1/48

Dimensions

LJ7K06, LJ8K06



LJ7K09, LJ8K09



Cut-outs or blanking plugs for cable glands at the top and at the bottom 2 x 13 P and 2 x 16 P.

TeSys Control

Enclosed safety starters / DOL, Reverser

Schemes



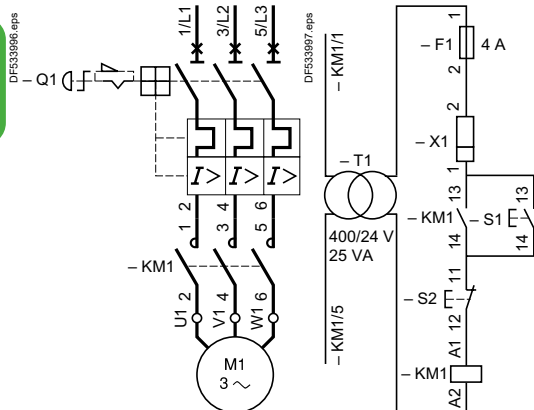
References:
p. A1/17 to A1/19

Dimensions:
p. A1/47

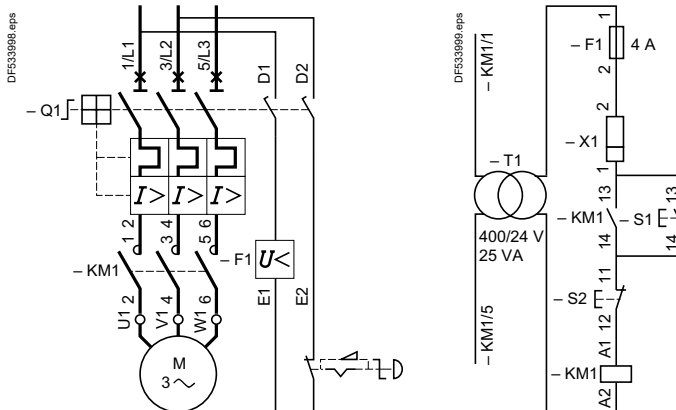
Schemes

LJ7K06

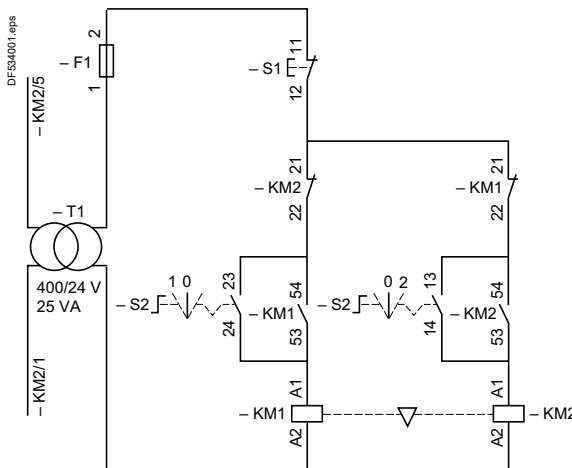
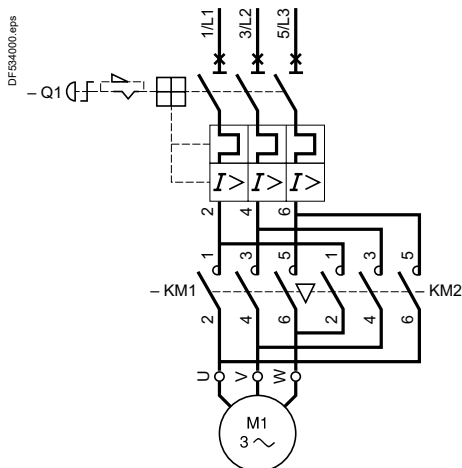
Enclosed starters



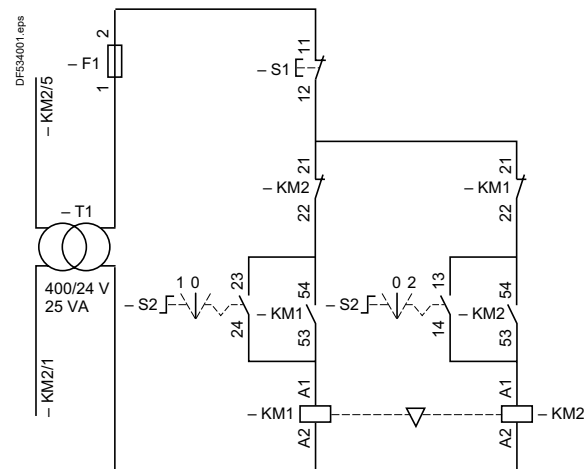
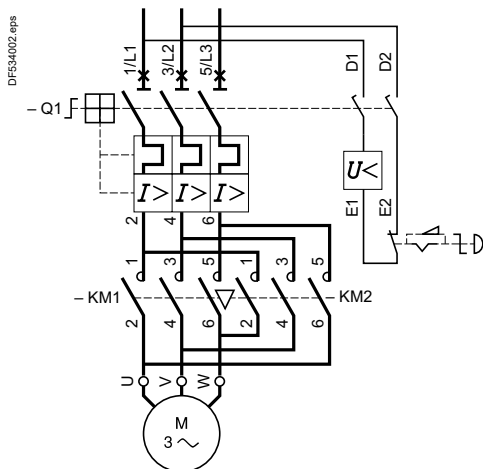
LJ7K09



LJ8K06



LJ8K09



Direct-on-line and reversing starters			
Composition	Range		Page
Motor circuit breaker + contactor (direct-on-line) Coordination type 1	Up to 5.5 kW		A2/2
Motor circuit breaker + 2 contactors (reversing) Coordination type 1	Up to 5.5 kW		A2/3
Motor circuit breaker + contactor (direct-on-line) Coordination type 1	Up to 7.5 kW		A2/4
Motor circuit breaker + 2 contactors (reversing) Coordination type 1	Up to 2.2 kW		A2/5
Motor circuit breaker + contactor (direct-on-line) Coordination type 2 to be assembled by customer	Up to 37 kW		A2/6
Motor circuit breaker + 2 contactors (reversing) Coordination type 2 to be assembled by customer	Up to 37 kW		A2/7
Star-delta starters			
3 contactors + 1 time delay aux. block	Up to 75 kW		A2/8
Star-delta starters for customer assembly			
Separated components and mounting kits for suggested motor starter components combinations - on plate or mounting rail	Up to 75 kW		A2/11
Star-delta starters with mechanical interlock for customer assembly on back panel, with TeSys Deca Advanced contactors	Up to 90 kW		A2/13
Star-delta starters with mechanical interlock for customer assembly on back panel, with TeSys Giga contactors	Up to 450 kW		A2/15

TeSys Control

Direct-on-line starters - with overload protection - up to 5.5 kW

Product references



Dimensions:
p. A2/18

Schemes:
p. A2/20

D.O.L. starters, non-reversing, from 0.37 to 5.5 kW at 400/415, 440 and 500 V, type 1 coordination

This pre-assembled combination comprises:

- 1 motor circuit breaker GV2ME,
- 1 3-pole contactor LC1K,
- 1 combination block GV2AF01.

Characteristics

Starter type	GV2	ME06K1	ME07K1	ME08K1	ME10K1	ME14K1
Breaking capacity (I _q) ⁽¹⁾	400/415 V	kA	50	50	50	50
	440 V	kA	50	50	50	15
	500 V	kA	50	50	50	10 (4 kW) 6 (5.5 kW)

References

PB123801.1fr



GV2ME08K1●●

D.O.L. starters, non-reversing

Standard power ratings of 3-phase motors 50/60 Hz in AC-3e			Setting range of thermal trips	Magnetic tripping current I _i	For customer assembly		Pre-assembled	Weight
400/415 V	440 V	500 V			Motor circuit-breaker Reference	Contactor Reference to be completed ⁽²⁾		
kW	kW	kW	A	A				kg
0.37	0.37	0.37	1...1.6	26.2	GV2ME06	LC1K06	GV2ME06K1●●	0.460
0.55	0.55	0.55						
–	–	0.75						
0.75	0.75	–	1.6...2.5	39	GV2ME07	LC1K06	GV2ME07K1●●	0.460
–	–	1.1						
1.1	1.1	1.5	2.5...4	74	GV2ME08	LC1K06	GV2ME08K1●●	0.460
1.5	1.5	2.2						
2.2	2.2	–	4...6.3	91	GV2ME10	LC1K06	GV2ME10K1●●	0.460
–	–	3						
–	3	–	6...10	149	GV2ME14	LC1K06		
3	–	4	6...10	149	GV2ME14	LC1K09	GV2ME14K1●●	0.460
4	4	5.5						

Add-on blocks

Description	Sold in lots of	Unit reference
Combination block between circuit breaker and contactor	10	GV2AF01

(1) The breaking performance of circuit breakers **GV2ME** can be increased by adding a current limiter **GV1L3**, see page B6/21.

(2) Please consult your Regional Sales Office.

(3) Please check the availability of your variant in the index page A2/16. The **SEARCH** function of your viewer can be used.

Volts	24	110	220/230	230	230/240	380/400
~ 50/60 Hz	B7	F7	M7	P7	U7	Q7
☰ ⁽⁴⁾	BW3	–	–	–	–	–

(4) Coil: low consumption (1.5 W), wide range (0.7...1.3 U_c) with integral suppression device as standard.



Dimensions:
p. A2/18

Schemes:
p. A2/20

D.O.L. starters, reversing, from 0.37 to 5.5 kW at 400/415, 440 and 500 V, type 1 coordination

This pre-assembled combination comprises:

- 1 motor circuit breaker GV2ME,
- 1 3-pole reversing contactor LC2K,
- 1 combination block GV2AF01.

Open motor starters

Characteristics

Starter type	GV2	ME06K2	ME07K2	ME08K2	ME10K2	ME14K2
Breaking capacity (I _q) ⁽¹⁾	Conforming to IEC 60947-4-1					
	400/415 V	kA	50	50	50	50
	440 V	kA	50	50	50	50
	500 V	kA	50	50	50	10 (4 kW) 6 (5.5 kW)

References

PB123802.tif



GV2ME06K2●●

D.O.L. starters, reversing

Standard power ratings of 3-phase motors 50/60 Hz in AC-3e			Setting range of thermal trips	Magnetic tripping current I _i	For customer assembly		Pre-assembled, to be completed by adding the voltage code ⁽³⁾	Weight
400/415 V	440 V	500 V			Motor circuit-breaker Reference	Contactor Reference to be completed ⁽²⁾		
kW	kW	kW	A	A				kg
0.37	0.37	0.37	1...1.6	26.2	GV2ME06	LC2K06	GV2ME06K2●●	0.460
0.55	0.55	0.55						
–	–	0.75						
0.75	0.75	–	1.6...2.5	39	GV2ME07	LC2K06	GV2ME07K2●●	0.460
–	–	1.1						
1.1	1.1	1.5	2.5...4	74	GV2ME08	LC2K06	GV2ME08K2●●	0.460
1.5	1.5	2.2						
2.2	2.2	–	4...6.3	91	GV2ME10	LC2K06	GV2ME10K2●●	0.460
–	–	3						
–	3	–	6...10	149	GV2ME14	LC2K06		
3	–	4	6...10	149	GV2ME14	LC2K09	GV2ME14K2●●	0.460
4	4	5.5						

Add-on blocks

Description	Sold in lots of	Unit reference
Combination block between circuit breaker and contactor	10	GV2AF01

⁽¹⁾ The breaking performance of circuit breakers GV2ME can be increased by adding a current limiter GV1L3, see page B6/21.

⁽²⁾ Please consult your Regional Sales Office.

⁽³⁾ Please check the availability of your variant in the index page A2/16. The SEARCH function of your viewer can be used.

Volts	24	110	220/230	230	230/240	380/400
~ 50/60 Hz	B7	F7	M7	P7	U7	Q7
--- ⁽⁴⁾	BW3	–	–	–	–	–

⁽⁴⁾ Coil: low consumption (1.5 W), wide range (0.7...1.3 U_c) with integral suppression device as standard.

Note: If the maximum starting current of the motor is less than 7.5 motor rated current, you have one more choice to refer to the AC-3 Coordination Tables pages A5/65 and A5/66.



Dimensions:
p. A2/18

Schemes:
p. A2/20

D.O.L. starters, non-reversing, from 0.06 to 18.5 kW at 400/415, 440 and 500 V, type 1 coordination

This pre-assembled combination comprises:

- 1 motor circuit breaker GV2ME,
- 1 3-pole contactor LC1D,
- 1 combination block GV2AF3.

Characteristics

Starter type		GV2	DM102 to DM110	DM114	DM116	DM132	
Breaking capacity (I _q) ⁽¹⁾	Conforming to IEC 60947-4-1	400/415 V	kA	50	50	15	10
		440 V	kA	50	15	8	6
		500 V	kA	50	6	6	4

References

D.O.L. starters, non-reversing

Standard power ratings of 3-phase motors 50/60 Hz in AC-3e			Setting range of thermal trips	Magnetic tripping current I _i	For customer assembly		Pre-assembled	Weight
400/415 V	440 V	500 V			Motor circuit-breaker Reference	Contactor Reference to be completed ⁽²⁾		
kW	kW	kW	A	A				kg
0.06	0.06	–	0.16...0.25	3.08	GV2ME02	LC1D09●●	GV2DM102●● ⁽⁴⁾	0.596
0.75	0.75	–	1.6...2.5	39	GV2ME07	LC1D09●●	GV2DM107●● ⁽⁴⁾	0.596
–	–	1.1						
1.1	1.1	1.5	2.5...4	74	GV2ME08	LC1D09●●	GV2DM108●● ⁽⁴⁾	0.596
1.5	1.5	2.2						
2.2	2.2	–	4...6.3	91	GV2ME10	LC1D09●●	GV2DM110●● ⁽⁴⁾	0.596
–	–	3						
3	3	4	6...10	149	GV2ME14	LC1D09●●	GV2DM114●● ⁽⁴⁾	0.596
4	4	5.5						
5.5	5.5	7.5	9...14	253.4	GV2ME16	LC1D12●●	GV2DM116●●	0.601

Add-on blocks

Description	Mounting of GV2	Sold in lots of	Unit reference
Combination block between circuit breaker and contactor	┌ rail	10	GV2AF3
	Mounting plate LAD311	10	GV2AF4

⁽¹⁾ The breaking performance of circuit breakers **GV2ME** can be increased by adding a current limiter **GV1L3**, see page B6/21.

⁽²⁾ Standard control circuit voltages (for other voltages, please consult your Regional Sales Office):

Volts	24	220	230
~ 50/60 Hz	B7	M7	P7
≡ ⁽⁵⁾	BD	–	–

⁽³⁾ Please check the availability of your variant in the index page A2/16. The **SEARCH** function of your viewer can be used.

⁽⁴⁾ Type 2 coordination also possible, see page A5/12.

⁽⁵⁾ Only available for **GV2DM**. Coil with integral suppression device as standard.

Note: If the maximum starting current of the motor is less than 7.5 motor rated current, you have one more choice to refer to the AC-3 Coordination Tables pages A5/65 and A5/66.



GV2DM102●●



Dimensions:
p. A2/18

Schemes:
p. A2/20

D.O.L. starters, reversing, from 0.12 to 18.5 kW at 400/415, 440 and 500 V, type 1 coordination

This pre-assembled combination comprises:

- 1 motor circuit breaker GV2 ME,
- 1 3-pole reversing contactor LC2 D,
- 1 combination block GV2AF3.

Open motor starters

Characteristics

Starter type	GV2	DM202 to DM210	DM214	DM216	DM220	DM221	DM222	DM232	
Breaking capacity (Iq) ⁽¹⁾	Conforming to IEC 60947-4-1	400/415 V	kA	50	50	15	15	15	10
		440 V	kA	50	15	8	8	6	6
		500 V	kA	50	10	6	6	4	4

References

D.O.L. starters, reversing ⁽²⁾

Standard power ratings of 3-phase motors 50/60 Hz in AC-3e			Setting range of thermal trips	Magnetic tripping current Ii	For customer assembly		Pre-assembled	Weight
400/415V	440 V	500 V			Motor circuit-breaker Reference	Contactor Reference to be completed ⁽³⁾		
kW	kW	kW	A	A				kg
0.12	—	—	0.40...0.63	9.3	GV2ME04	LC2D09●●	GV2DM204●●	0.963
—	0.18	—						
0.18	0.25	—	0.63...1	15.1	GV2ME05	LC2D09●●	GV2DM205●●	0.963
0.25	—	—						
0.37	0.37	0.37	1...1.6	26.2	GV2ME06	LC2D09●●	GV2DM206●●	0.963
0.55	0.55	0.55						
—	—	0.75						
1.1	—	1.5	2.5...4	74	GV2ME08	LC2D09●●	GV2DM208●●	0.963
1.5	1.5	2.2						

PE121683.eps



GV2DM202●●

Add-on blocks

Description	Mounting of GV2	Sold in lots of	Unit reference
Combination block between circuit breaker and contactor	┌ rail	10	GV2AF3
	Mounting plate LAD311	10	GV2AF4

⁽¹⁾ The breaking performance of circuit breakers GV2ME can be increased by adding a current limiter GV1L3, see page B6/21.

⁽²⁾ Type 2 coordination also possible, see page A5/12.

⁽³⁾ See page B8/30.

⁽⁴⁾ Standard control circuit voltages (for other voltages, please consult your Regional Sales Office):

Volts	24	220	230
~ 50/60 Hz	B7	M7	P7
— ⁽⁶⁾	BD	—	—

⁽⁵⁾ Please check the availability of your variant in the index page A2/16. The SEARCH function of your viewer can be used.

⁽⁶⁾ Coil with integral suppression device as standard.

Note: If the maximum starting current of the motor is less than 7.5 motor rated current, you have one more choice to refer to the AC-3 Coordination Tables pages A5/65 and A5/66.



Dimensions:
p. A2/18 to A2/19

Schemes:
p. A2/21

D.O.L. starters, non-reversing, from 0.06 to 37 kW at 400/415, 440 and 500 V, type 2 coordination

To be assembled by customer, using:

- 1 motor circuit breaker GV2P,
- 1 3-pole contactor LC1D,
- 1 combination block GV2AF3.

Characteristics

Starter type	GV2	P02 to P10	P14	P16	P20	P21	P22	P32	
Breaking capacity (I _q) ⁽¹⁾	Conforming to IEC 60947-4-1	400/415 V	kA	130	130	130	50	50	50
		440 V	kA	130	130	50	20	20	20
		500 V	kA	130	50	42	10	10	10

References

D.O.L. starters, non-reversing

Standard power ratings of 3-phase motors 50/60 Hz in AC-3e			Setting range of thermal trips	Magnetic tripping current I _i	For customer assembly		Weight
400/415 V	440 V	500 V			Motor circuit-breaker Reference	Contactor Reference to be completed ⁽²⁾	
kW	kW	kW	A	A			kg
0.06	0.06	–	0.16...0.25	3.08	GV2P02	LC1D09●●	0.686
–	0.09	–	0.25...0.40	5.8	GV2P03	LC1D09●●	0.686
0.09	–	–	–	–	–	–	–
0.12	0.12	–	0.40...0.63	9.3	GV2P04	LC1D09●●	0.686
–	0.18	–	–	–	–	–	–
0.18	0.25	–	0.63...1	15.1	GV2P05	LC1D09●●	0.686
0.25	–	–	–	–	–	–	–
0.37	0.37	0.37	1...1.6	26.2	GV2P06	LC1D09●●	0.686
0.55	0.55	0.55	–	–	–	–	–
–	–	0.75	–	–	–	–	–
0.75	0.75	–	1.6...2.5	39	GV2P07	LC1D09●●	0.686
–	–	1.1	–	–	–	–	–
1.1	1.1	1.5	2.5...4	74	GV2P08	LC1D09●●	0.696
1.5	1.5	2.2	–	–	–	–	–
2.2	2.2	–	4...6.3	91	GV2P10	LC1D09●●	0.736
–	–	3	–	–	–	–	–
3	3	4	6...10	149	GV2P14	LC1D09●●	0.736
4	4	5.5	–	–	–	–	–
5.5	5.5	7.5	9...14	253.4	GV2P16	LC1D25●●	0.741
–	7.5	9	–	–	–	–	–
7.5	9	–	13...18	341	GV2P20	LC1D25●●	0.736
9	11	11	17...23	341	GV2P21	LC1D25●●	0.741
11	–	15	20...25	388.3	GV2P22	LC1D25●●	0.741
15	15	18.5	24...32	537.6	GV2P32	LC1D32●●	0.741
18.5	–	–	30...40	560	GV3P401 ⁽³⁾	LC1D50A●●	1.725
–	18.5	22	30...40	560	GV3P401 ⁽³⁾	LC1D65A●●	1.730
22	–	–	37...50	700	GV3P501 ⁽³⁾	LC1D50A●●	1.725
–	22	30	37...50	700	GV3P501 ⁽³⁾	LC1D65A●●	1.730
30	37	–	48...65	910	GV3P651 ⁽³⁾	LC1D65A●●	1.730

Add-on blocks

Description	Mounting of GV2	Sold in lots of	Unit reference
Combination block between circuit breaker and contactor	┌ rail	10	GV2AF3

⁽¹⁾ The breaking performance of circuit breakers GV2P can be increased by adding a current limiter GV1L3, see page B6/21.

⁽²⁾ See page B8/23.

⁽³⁾ Circuit breaker supplied without downstream EverLink® power terminal block, which is required for vertical mounting. For side by side mounting, use a GV3P circuit breaker with terminal blocks and the GV3S set of S-shape busbars (see page B8/51).

Note: If the maximum starting current of the motor is less than 7.5 motor rated current, you have one more choice to refer to the AC-3 Coordination Table page A5/66.

Open motor starters

PB121702.tif



GV2P●● + LC1D09●●
+ GV2AF3

PB121675.eps



PB121684.eps



GV3P651
+ LC1D65A●●

TeSys Control

Reversing starters - with overload protection - up to 30 kW

Product references



Dimensions:
p. A2/18 to A2/19

Schemes:
p. A2/21

D.O.L. starters, reversing, from 0.06 to 37 kW at 400/415, 440 and 500 V, type 2 coordination

To be assembled by customer, using:

- 1 motor circuit breaker GV2P,
- 1 3-pole reversing contactor LC2D,
- 1 combination block GV2AF3.

Open motor starters

Characteristics

Starter type		GV2	P02 to P10	P14	P16	P20	P21	P22	P32
Breaking capacity (I _q) ⁽¹⁾	Conforming to IEC 60947-4-1	400/415 V	kA	130	130	130	50	50	50
		440 V	kA	130	130	50	20	20	20
		500 V	kA	130	50	42	10	10	10

References

D.O.L. starters, reversing

Standard power ratings of 3-phase motors 50/60 Hz in AC-3e				Setting range of thermal trips	Magnetic tripping current I _i	For customer assembly		Weight
400/	415 V	440 V	500 V			Motor circuit-breaker Reference	Contactor Reference to be completed ⁽²⁾	
kW	kW	kW	kW	A	A			kg
0.06	0.06	–	–	0.16...0.25	3.08	GV2P02	LC2D09●●	1.053
–	0.09	–	–	0.25...0.40	5.8	GV2P03	LC2D09●●	1.053
0.09	–	–	–	–	–	–	–	–
0.12	0.12	–	–	0.40...0.63	9.3	GV2P04	LC2D09●●	1.053
–	0.18	–	–	–	–	–	–	–
0.18	0.25	–	–	0.63...1	15.1	GV2P05	LC2D09●●	1.053
0.25	–	–	–	–	–	–	–	–
0.37	0.37	0.37	0.37	1...1.6	26.2	GV2P06	LC2D09●●	1.053
0.55	0.55	0.55	0.55	–	–	–	–	–
–	–	–	0.75	–	–	–	–	–
0.75	0.75	–	–	1.6...2.5	39	GV2P07	LC2D09●●	1.053
–	–	–	1.1	–	–	–	–	–
1.1	1.1	1.5	1.5	2.5...4	74	GV2P08	LC2D09●●	1.073
1.5	1.5	2.2	2.2	–	–	–	–	–
2.2	2.2	–	–	4...6.3	91	GV2P10	LC2D09●●	1.153
–	–	–	3	–	–	–	–	–
3	3	4	4	6...10	149	GV2P14	LC2D09●●	1.153
4	4	5.5	5.5	–	–	–	–	–
5.5	5.5	7.5	7.5	9...14	253.4	GV2P16	LC2D25●●	1.163
–	7.5	–	9	–	–	–	–	–
7.5	9	–	–	13...18	341	GV2P20	LC2D25●●	1.153
9	11	11	11	17...23	341	GV2P21	LC2D25●●	1.163
11	–	15	15	20...25	388.3	GV2P22	LC2D25●●	1.163
15	15	18.5	18.5	24...32	537.6	GV2P32	LC2D32●●	1.163
18.5	–	–	–	30...40	560	GV3P401 ⁽³⁾	LC2D50A●●	2.750
–	18.5	22	22	30...40	560	GV3P401 ⁽³⁾	LC2D65A●●	2.760
22	–	–	–	37...50	700	GV3P501 ⁽³⁾	LC2D50A●●	2.750
–	22	30	30	37...50	700	GV3P501 ⁽³⁾	LC2D65A●●	2.760
30	37	–	–	48...65	910	GV3P651 ⁽³⁾	LC2D65A●●	2.760

Add-on blocks

Description	Mounting of GV2	Sold in lots of	Unit reference
Combination block between circuit breaker and contactor	└┘ rail	10	GV2AF3

⁽¹⁾ The breaking performance of circuit breakers GV2P can be increased by adding a current limiter GV1L3, see page B6/21.

⁽²⁾ See page B8/36.

⁽³⁾ Circuit breaker supplied without downstream EverLink® power terminal block, which is required for vertical mounting. For side by side mounting, use a GV3P circuit breaker with terminal blocks and the GV3S set of S-shape busbars (see page B8/51)

Note: If the maximum starting current of the motor is less than 7.5 motor rated current, you have one more choice to refer to the AC-3 Coordination Table page A5/66.

PB12170.eps



GV2P●● + LC2D09●● + GV2AF3

PB121675.eps



PB121685.eps



GV3P651 + LC2D65A●●

TeSys Control

Star-delta starters - up to 75 kW ⁽¹⁾

Product references



Description:
p. A2/22

Dimensions:
p. A2/23

Schemes:
p. A2/24

Open motor starters

LC3D32AP7_leP.png



LC3D32A●●

Plate mounted starters without isolating device

Maximum operating rate: 30 starts/hour. Maximum starting time: 30 seconds.

Standard power ratings of squirrel cage motors Mains voltage - delta connection				Auxiliary contacts available on each contactor			Star delta mechanical interlock	Basic reference, to be completed by adding the voltage code ^{(2) (3)}	Weight		
220/230 V	380/400 V	415 V	440 V	line KM2	delta KM3	star KM1					
kW	kW	kW	kW					kg			
4	7.5	7.5	7.5	-	-	-	- ⁽⁴⁾	1	With	LC3D09A●●	1.530
5.5	11	11	11	-	-	-	- ⁽⁴⁾	1	With	LC3D12A●●	1.530
11	18.5	22	22	-	-	-	- ⁽⁴⁾	1	With	LC3D18A●●	1.730
15	25	30	30	-	-	-	- ⁽⁴⁾	1	With	LC3D32A●●	2.030
37	75	75	75	-	1	1	- ⁽⁴⁾	- ⁽⁴⁾	Without	LC3D80●●	5.200
									With	LC3D80●●A64	5.400

Rail mounted starters (35 mm rail) without isolating device

Maximum operating rate: 12 starts/hour. Maximum starting time: 30 seconds.

Standard power ratings of squirrel cage motors Mains voltage - delta connection				Auxiliary contacts available on each contactor			Star delta mechanical interlock	Basic reference, to be completed by adding the voltage code ^{(2) (3)}	Weight
220/230 V	380/400 V	415 V	440 V	line KM2	delta KM3	star KM1			
kW	kW	kW	kW					kg	

Maximum operating rate: 12 starts/hour. Maximum starting time: 30 seconds.

4	7.5	7.5	7.5	-	-	-	-	1	With	LC3K09●●	0.740
---	-----	-----	-----	---	---	---	---	---	------	----------	-------

Maximum operating rate: 30 starts/hour. Maximum starting time: 30 seconds

4	7.5	7.5	7.5	-	-	-	- ⁽⁴⁾	1	With	LC3D090A●●	1.530
5.5	11	11	11	-	-	-	- ⁽⁴⁾	1	With	LC3D120A●●	1.530
11	18.5	22	22	-	-	-	- ⁽⁴⁾	1	With	LC3D180A●●	1.730
15	25	30	30	-	-	-	- ⁽⁴⁾	1	With	LC3D320A●●	2.030

LC3D320AP7_leP.png



LC3D320A●●

⁽¹⁾ Protection must be provided by the addition of a thermal overload relay, to be ordered separately. Select appropriate overload relay for setting at 0.58 of the full load rated motor current (see pages B11/4 and B11/5).

⁽²⁾ Standard control circuit voltages:

Volts ~ 50/60 Hz 24 36 42 48 110 220 230 240 380 400 415 440

Star-delta starters LC3K09

Code B7 C7 D7 E7 F7 M7 P7 U7 - - - -

Star-delta starters LC3D09A...D150, LC3D090A...D320A

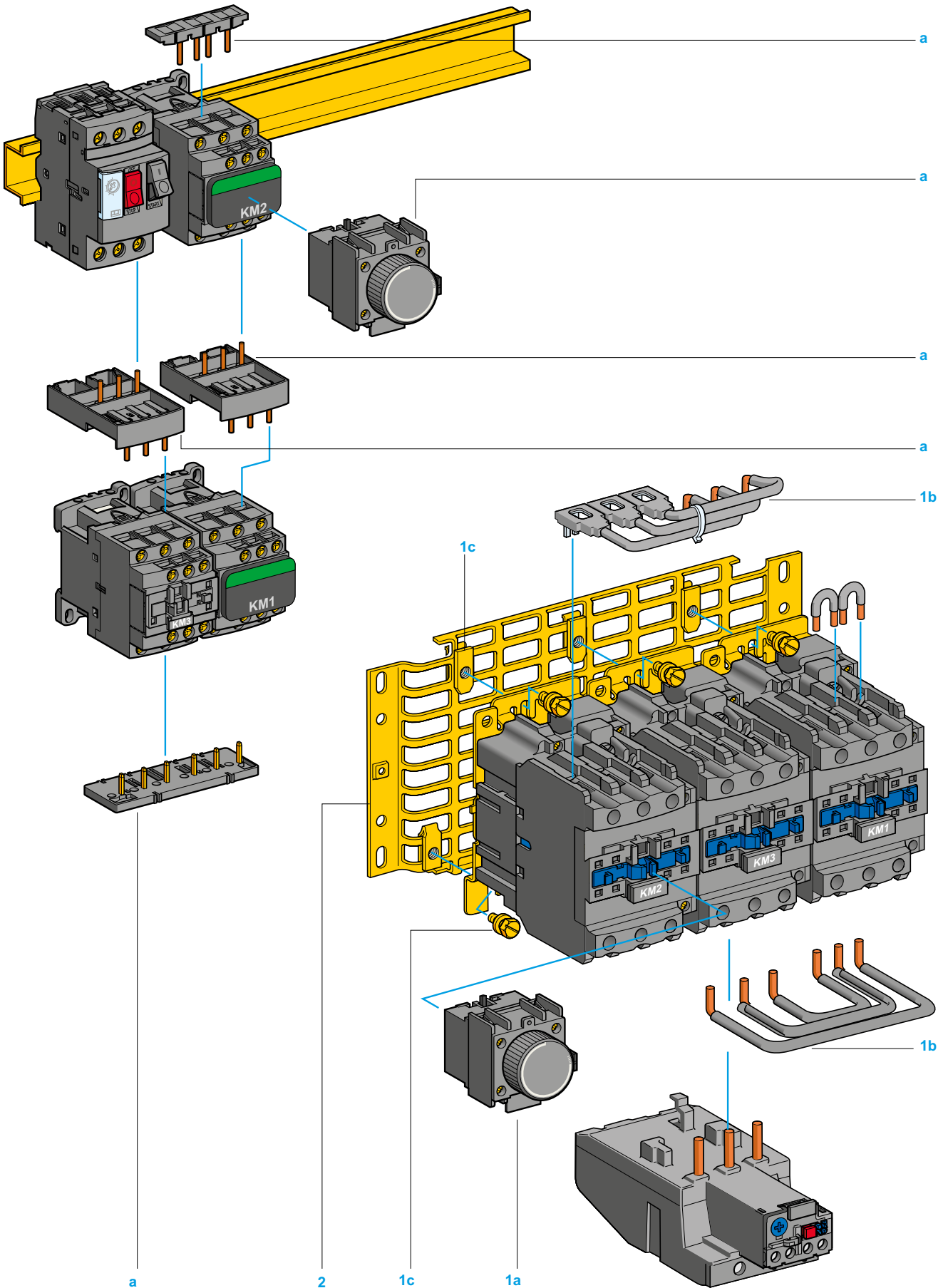
Code B7 - D7 E7 F7 M7 P7 U7 Q7 V7 N7 R7

For other voltages, please consult your Regional Sales Office.

⁽³⁾ Please check the availability of your variant in the index page A2/16. The SEARCH function of your viewer can be used.

⁽⁴⁾ One auxiliary contact block type LADN can also be fitted, see page B8/43.

Open motor starters





Description:
p. A2/22

Dimensions:
p. A2/23 to A2/24

Schemes:
p. A2/24

Star-delta starters without mechanical interlock, for customer assembly on plate or on mounting rail ⁽²⁾

Starters for direct combination with a circuit breaker

Maximum operating rate: 30 starts/hour. Maximum starting time: 30 seconds

Standard power ratings of squirrel cage motors ⁽³⁾ Mains voltage - delta connection		Thermal-magnetic motor circuit breaker <i>References in italics are available in CEE zone only</i>	Contactors (basic references, to be completed by adding the voltage code) ⁽⁴⁾		
400/ 415 V	440 V		line	delta	star
kW	kW		KM2	KM3	KM1
7.5	7.5	<i>GV2ME20</i> or <i>GV2ME20AP</i>	LC1D09●●	LC1D09●●	LC1D09●●
–	9	<i>GV2ME20</i> or <i>GV2ME20AP</i>	LC1D12●●	LC1D12●●	LC1D09●●
9	11	<i>GV2ME21</i> or <i>GV2ME21AP</i>	LC1D12●●	LC1D12●●	LC1D09●●
11	–	<i>GV2ME22</i> or <i>GV2ME22AP</i>	LC1D12●●	LC1D12●●	LC1D09●●
15	15	<i>GV2ME32</i> or <i>GV2ME32AP</i>	LC1D18●●	LC1D18●●	LC1D09●●

Separate component

Description	Illustration item no.	Reference
Mounting kit comprising: power circuit connections and 1 time delay contact block LADS2	a	LAD912GV

Starters for mounting separately from upstream protection

Maximum operating rate: 30 starts/hour. Maximum starting time: 30 seconds.

Standard power ratings of squirrel cage motors ⁽³⁾ Mains voltage - delta connection				Contactors (basic references, to be completed by adding the voltage code) ⁽⁴⁾			Separate components (see below)
220/ 230 V	380/ 400 V	415 V	440 V	line	delta	star	Component types
kW	kW	kW	kW	KM2	KM3	KM1	
4	7.5	7.5	7.5	LC1D09●●	LC1D09●●	LC1D09●●	D09
5.5	11	11	11	LC1D18●● ⁽⁵⁾	LC1D12●●	LC1D09●●	D12
11	18.5	22	22	LC1D25●● ⁽⁶⁾	LC1D25●● ⁽⁶⁾	LC1D09●●	D18
15	25	30	30	LC1D32●●	LC1D32●●	LC1D18●●	D32
18.5	37	37	37	LC1D40A●●	LC1D40A●●	LC1D40A●●	D40
30	55	59	59	LC1D50A●●	LC1D50A●●	LC1D40A●●	D50
37	75	75	75	LC1D80●●	LC1D80●●	LC1D50A●●	D80

Separate components

Description	Illustration item no.	For components type	Reference	Without timer LADS2
Mounting kit comprising: - 1 time delay contact block LADS2 (D09...D80) ⁽³⁾ , - power circuit connections (D09...D80), - screws and clamps for fixing contactors to the plate (D40...D80).	1 a	LC1D09 to D38 ⁽⁷⁾	LAD91217	LAD91218
	1 b	LC1D09 to D38 ⁽⁸⁾	LAD93217	LAD93218
	1 c	D40 and D50	LA9D5017	–
	1 c	D80	LA9D8017	–
Equipment mounting plates	2	LC1D09 to D38	LA9D12974	
		D80	LA9D80973	

⁽¹⁾ Protection must be provided by the addition of a thermal overload relay, to be ordered separately.

Select appropriate overload relay for setting at 0.58 of the full load rated motor current, see pages B11/4 and B11/5.

⁽²⁾ For mounting, assembly and cabling: please refer to installation instructions supplied with the equipment.

⁽³⁾ See comments on page A2/22.

⁽⁴⁾ See page B8/28.

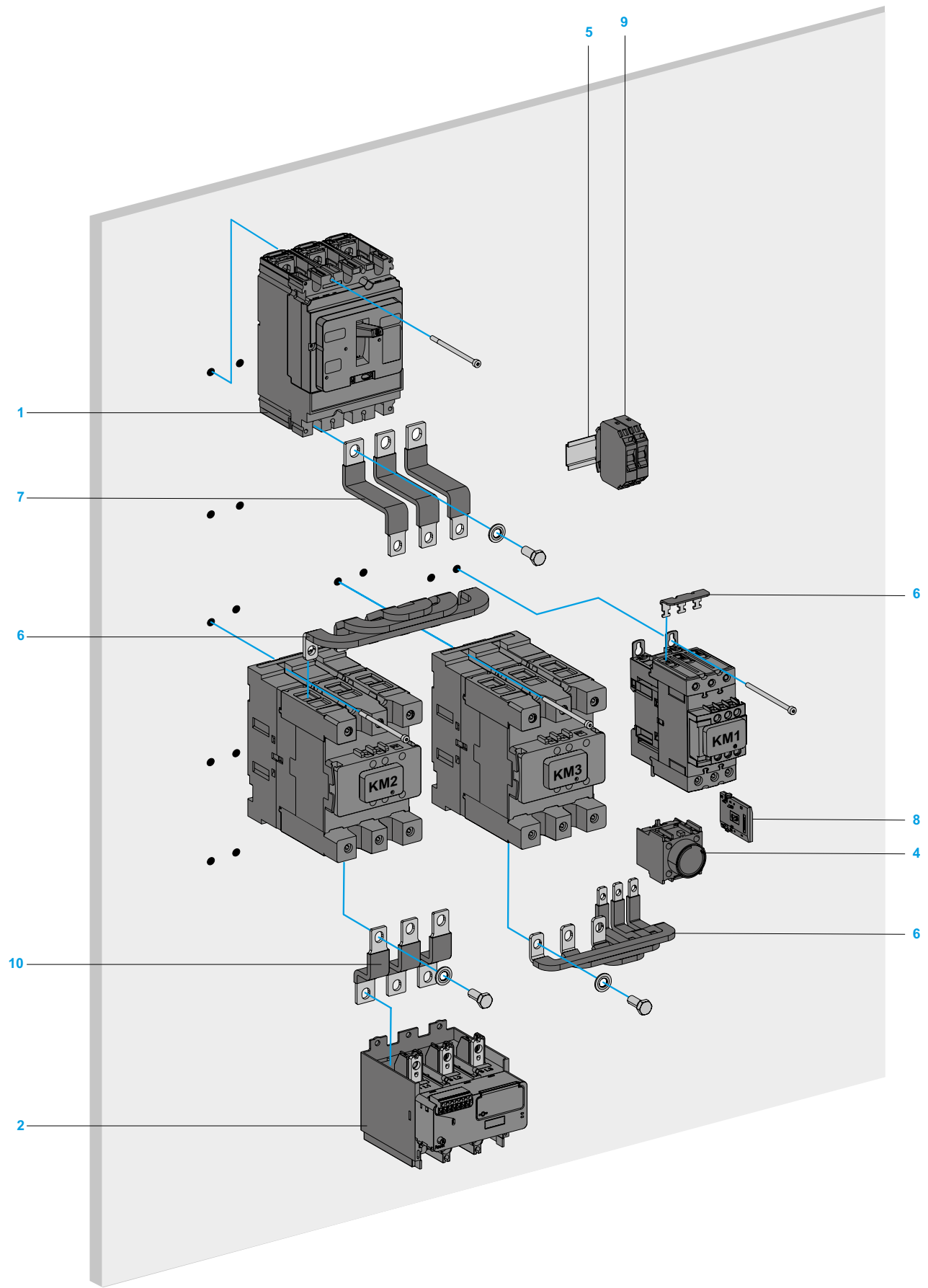
⁽⁵⁾ A D12 component is adequate for the application, but use of a D18 is recommended.
(connection capacity, correct use of power connection kit and connections).

⁽⁶⁾ A D18 component is adequate for the application, but use of a D25 is recommended.
(connection capacity, correct use of power connection kit and connections).

⁽⁷⁾ For assembly of 3 contactors of the same physical size (depth).

⁽⁸⁾ For assembly of 3 contactors with star contactor physically smaller (depth).

Open motor starters





Description:
p. A2/22

Dimensions:
p. A2/25

Schemes:
p. A2/27

Star-delta starters with mechanical interlock for customer assembly on back panel, with TeSys Deca Advanced contactors

Maximum operating rate: 30 starts/hour.

Maximum starting time: 30 seconds.

For the selection of TeSys Deca Advanced Contactors ⁽²⁾, overload relay ⁽³⁾ and circuit breaker ⁽³⁾ at different operating voltages, please refer to coordination tables pages A5/32 and A5/38 for AC-3e and A5/86 and A5/91 for AC-3.

For Star-delta 'Power' and 'Control' circuit diagrams, please refer to page A2/27.

Separate components ⁽⁴⁾

Description	Illustration item no.	For use on	No.	Sold in lots of	Unit reference
Circuit breakers	1	LC1D115A and 150A	1	1	GV4... NSX100
			1	1	GV5... NSX160...NSX250
Overload relay	2	LC1D115A and 150A	1	1	LRD33●● ⁽⁴⁾ + LA7D3058
			1	1	LR9G●●● ⁽⁴⁾
Timer	4	LC1D115A and D150A	1	1	LADT2
		LC1D40A...65A			
Mounting Rail	5	LC1D115A and D150A	1	10	NSYSDR200
Sets of power connections	6	LC1D115A and D150A (LDY) ⁽⁵⁾	1	1	LAD9150SD19
		LD:LC1D115A and D150A ⁽⁵⁾	1	1	LAD9150SD17
		Y:LC1D40A...D65A ⁽⁵⁾	1	1	
Flexible terminal extensions for MCCB	7	LC1D115A and D150A	1	1	LAD91503111
Mechanical interlock kit	8	DY: LC1D115A and D150A ⁽⁵⁾	1	1	LAD5CM
		D: LC1D115A and D150A ⁽⁵⁾ Y: LC1D40A...D65A ⁽⁵⁾			
Thermal magnetic circuit breaker for 5 A control circuit	9	LC1D115A and D150A	2	6	GB2CB10
Flexible terminal extensions for ORL	10	LC1D115A and D150A	1	1	LAD91503211

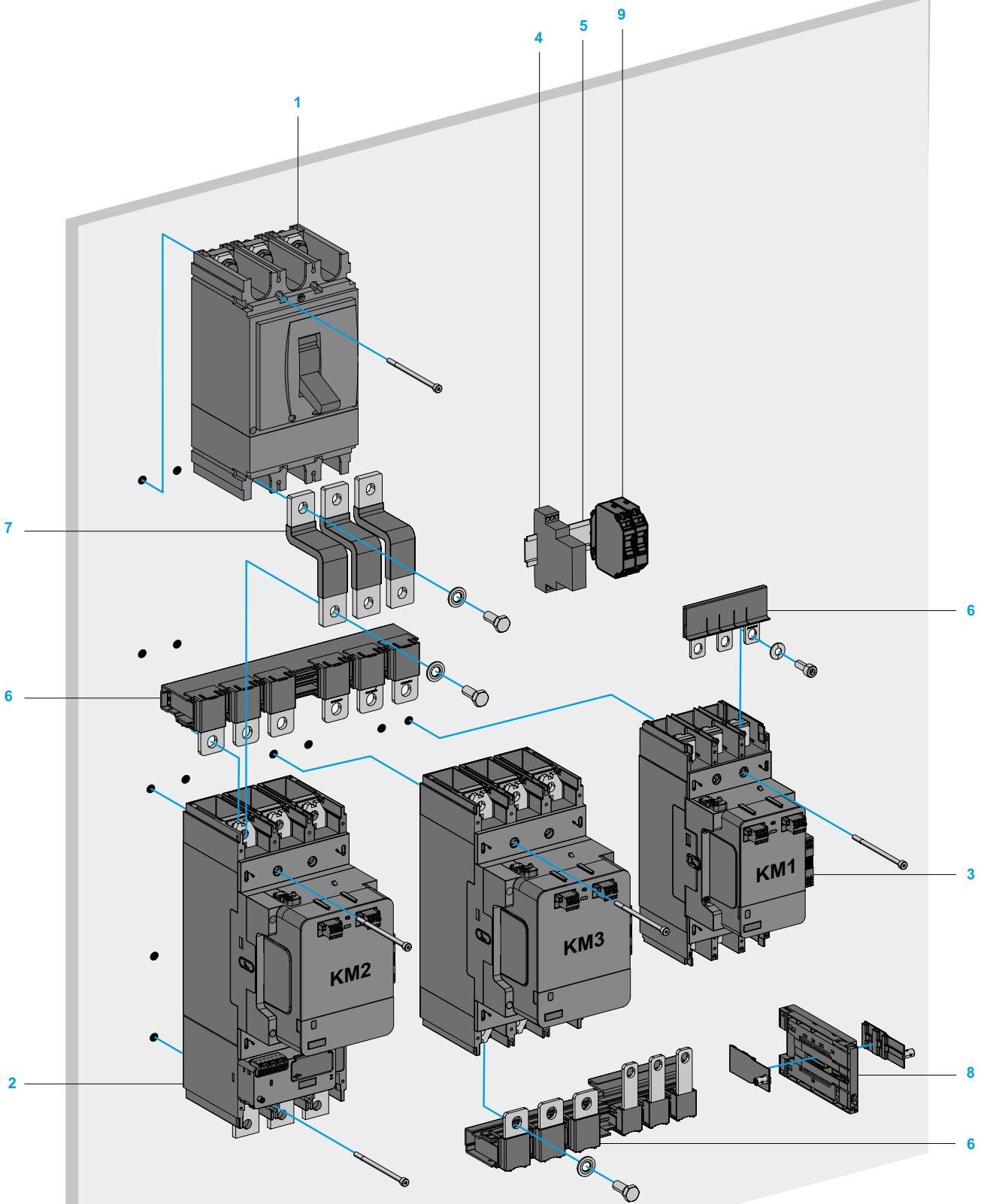
⁽¹⁾ Protection shall be provided by a thermal-magnetic circuit breaker or by a magnetic circuit breaker and an overload relay combination.

⁽²⁾ Please refer to page B8/24 for the complete references of the contactors.

⁽³⁾ The protection device settings should be adjusted according to motor characteristics and conditions of use.

⁽⁴⁾ Please refer to pages B11/4 and respectively B11/11 to B11/14 for details on LRD33●● and respectively LR9G overload relays.

⁽⁵⁾ L- Line contactor/ D- Delta contactor/ Y- Star contactor.





Description:
p. A2/22

Dimensions:
p. A2/26

Schemes:
p. A2/28

Star-delta starters with mechanical interlock for customer assembly on back panel, with TeSys Giga contactors

Maximum operating rate: 30 starts/hour.

Maximum starting time: 30 seconds.

For the selection of TeSys Giga Contactors ⁽²⁾, overload relay ⁽³⁾ and circuit breaker ⁽³⁾ at different operating voltages, please refer to coordination tables pages A5/29, A5/39 and A5/40.

For Star-delta 'Power' and 'Control' circuit diagrams, please refer to page A2/28.

Separate components ⁽⁴⁾

Description	Illustration item no.	For use on	No.	Sold in lots of	Unit reference
Circuit breakers	1	G115...G500	1	1	GV5P220...GV6P500
			1	1	NSX250...NSX630
			1	1	NS800...NS1000
Electronic thermal overload relays	2	G115...G500	1	1	LR9G115... LR9G500 ⁽⁴⁾
Auxiliary contact blocks 1NO + 1NC	3	G115...G500	3	-	LAG8N113P (Supplied with the contactor)
Timer	4	G115...G500	1	1	RE17RMMWS
Mounting Rail	5	G115...G500	1	10	NSYSDR200
Sets of power connections	6	G115...G500 (LDY) ⁽⁵⁾	1	1	LA9GQQ330
		G115...G500 (LDY) ⁽⁵⁾	1	1	LA9GSS330
		G115...G500 (LDY) ⁽⁵⁾	1	1	LA9GTT330
		LD: G265...G500 ⁽⁵⁾ Y: G115...G225 ⁽⁵⁾	1	1	LA9GSQ331
Flexible terminal extensions for MCCB	7	G115...G225	1	1	LA9G3111
		G265...G500	1	1	LA9G3112
Mechanical interlock kit	8	G115...G500	1	1	LA9G970
		G265...G500 # G115...G225	1	1	LA9G971
Thermal magnetic circuit breaker for 5 A control circuit	9	G115...G500	2	6	GB2CB10

⁽¹⁾ Protection shall be provided by a thermal-magnetic circuit breaker or by a magnetic circuit breaker and an overload relay combination.

⁽²⁾ The contactors are supplied with wide band AC/DC coils with 1 NO + 1 NC auxiliary contact block. Please refer to pages B9/10 to B9/13 for the complete references of the contactors.

⁽³⁾ The protection device settings should be adjusted according to motor characteristics and conditions of use.

⁽⁴⁾ Please refer to pages B11/11 to B11/14 for details on LR9G electronic overload relays.

⁽⁵⁾ L- Line contactor/ D- Delta contactor/ Y- Star contactor.

TeSys Control

Open pre-cabled motor starters

Product references

Open
motor
starters

AB1AB8M35	GV2ME07K1BW3	LC3D090AP7
AB1BC9535	GV2ME07K2BW3	LC3D09AB7
ACMGV973	GV2ME08K1BW3	LC3D09AP7
AE3FX122	GV2ME08K1P7	LC3D120AP7
AF1CD061	GV2ME10K1BW3	LC3D12AB7
AF1CD081	GV2ME14K1B7	LC3D12AP7
AF1VA410	GV2MP01	LC3D180AB7
AF1VA618	GV2MP02	LC3D180AP7
AF1VC820	GV2MP03	LC3D18AB7
AM3PA65	GV2MP04	LC3D18AF7
GB2CB05	LA7D3058	LC3D18AP7
GB2CB10	LA9D12974	LC3D18AU7
GV2AF01	LA9D15017	LC3D320AG7
GV2AF3	LA9D5017	LC3D320AP7
GV2AF4	LA9D730	LC3D32AB7
GV2DM102BD	LA9D80973	LC3D32AF7
GV2DM107BD	LA9D901	LC3D32AP7
GV2DM107P7	LA9GQQ330	LC3D80B7
GV2DM108B7	LA9GSS330	LC3D80B7A64
GV2DM108BD	LA9GTT330	LC3D80E7A64
GV2DM108P7	LA9GSQ331	LC3D80F7
GV2DM110BD	LA9G3111	LC3D80F7A64
GV2DM114B7	LA9G3112	LC3D80M7
GV2DM114BD	LA9G970	LC3D80P7
GV2DM116BD	LA9G971	LC3D80P7A64
GV2DM132B7	LAD31	LC3D80U7A64
GV2DM204B7	LAD5CM	LC3K09P7
GV2DM205BD	LAD91217	LC4D12AP7
GV2DM206BD	LAD9150SD17	LC4D12AV7
GV2DM208BD	LAD9150SD19	LC4D25AB7
GV2DM221M7	LAD91503111	LC4D25AP7
GV2DM221P7	LAD91503211	NSYDPR25
GV2DM232P7	LAD91218	NSYSNM6
GV2MC01	LAD93217	NSYSNM8
GV2MC02	LAD93219	NSYSDR200
GV2MC03	LADN10	RE17RMMWS
GV2MCK04	LADN22	
GV2ME06K1BW3	LADT2	
GV2ME06K2BW3	LAG8N113P	
GV2ME06K2M7	LC3D090AB7	

This document is current.  Click on the product reference to get the most recent availability status (hyperlink to [se.com](https://www.se.com) product datasheet).
If your product variant is no longer available, please consult your distributor or regional sales office.

Technical Data for Designers

Contents

Non-reversing / Reversing starters	A2/18 to A2/21
Star-delta starters	A2/22 to A2/28

TeSys Control

Open pre-cabled motor starters

Dimensions, mounting



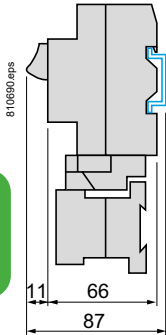
References:
p. A2/2 to A2/7

Schemes:
p. A2/20 to A2/21

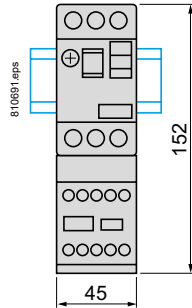
Open motor starters

GV2ME●●K●●

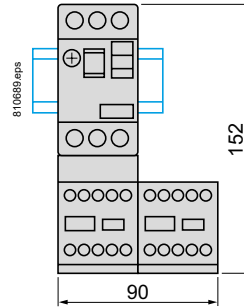
On mounting rail NSYSR200



GV2ME●●K1●●

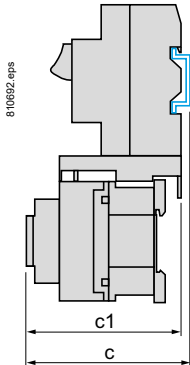


GV2ME●●K2●●

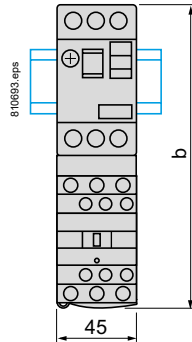


GV2DM●●●●

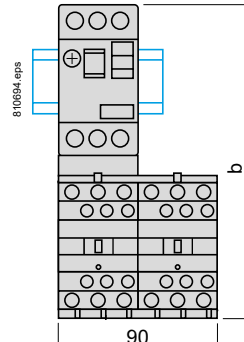
On mounting rail NSYSR200



GV2DM1●●●●



GV2DM2●●●●

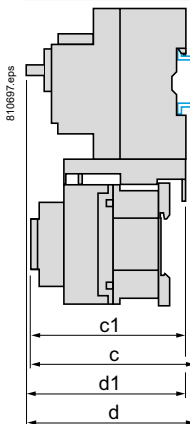


GV2DM●●●● contactor with AC or DC coil on mounting rail NSYSR200

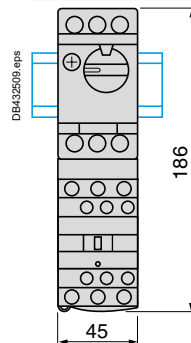
GV2	DM●02●● to DM●20●●	DM●21●● to DM●32●●
b	177	187
c	106	113
c1	96	103

GV2P●● + LC●D09 + GV2AF3

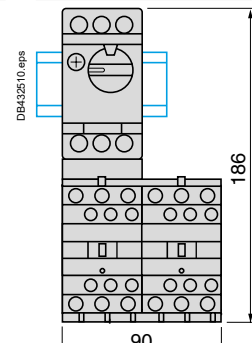
On mounting rail NSYSR200



GV2P●● + LC1D●● + GV2AF3



GV2P●● + LC2D●●●● + GV2AF3



LC1D, LC2D contactor with AC or DC coil on mounting rail

GV2	P02 to P08	P10 to P32
c	111	118
c1	101	108
d	107	107
d1	97	97

TeSys Control

Open pre-cabled motor starters

Dimensions, mounting

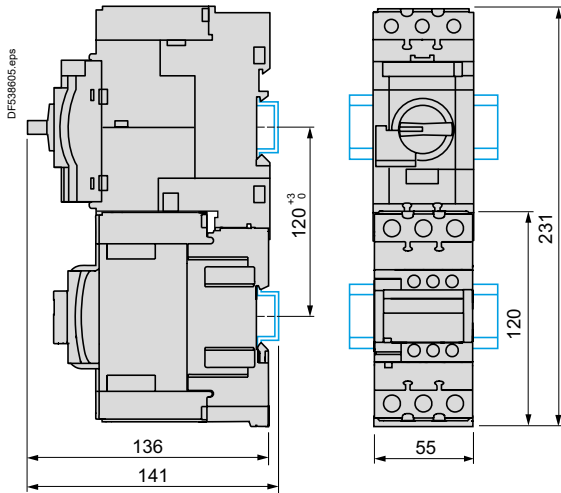


References:
p. A2/6 to A2/7

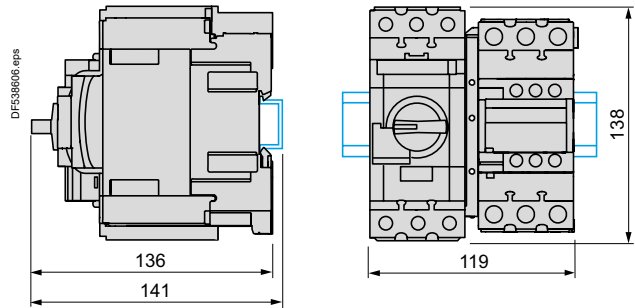
Schemes:
p. A2/21

GV3P●●1 + LC1D40A...D65A (for customer assembly)

Vertical mounting ⁽¹⁾



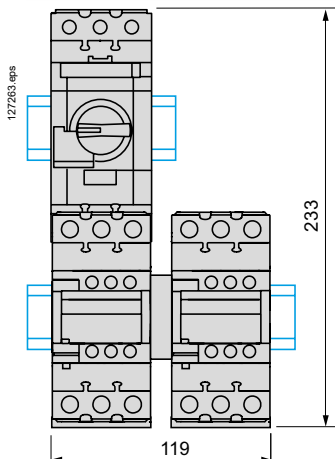
Side by side mounting with S-shape busbar system GV3 S ⁽²⁾



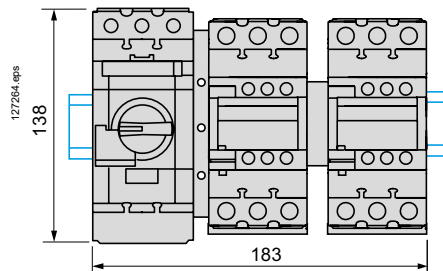
Open
motor
starters

GV3P●●1 + LC2D40A...D65A (for customer assembly)

Vertical mounting ⁽¹⁾



Side by side mounting with S-shape busbar system GV3 S ⁽²⁾



- (1)** For several side-by-side motor starters, the maximum current allowed is equal to the nominal current under 400 V.
Example: 55 A for a 30 kW motor under 400 V, for a GV3 P65 circuit breaker and a LC1 D65A contactor association.
- (2)** The maximum current allowed is equal to 90 % of maximum current. Example: 45 A for a LC1 D50A contactor.

TeSys Control

Open pre-cabled motor starters

Schemes

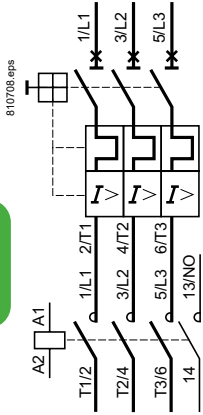


References:
p. A2/2 to A2/5

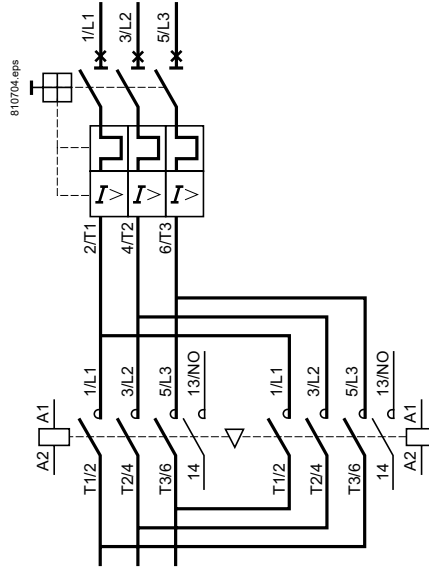
Dimensions:
p. A2/18

Open motor starters

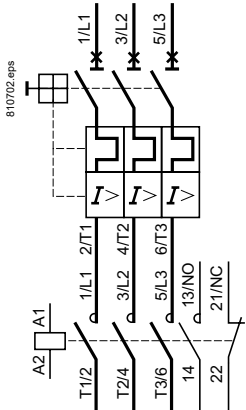
GV2ME●●K1●●



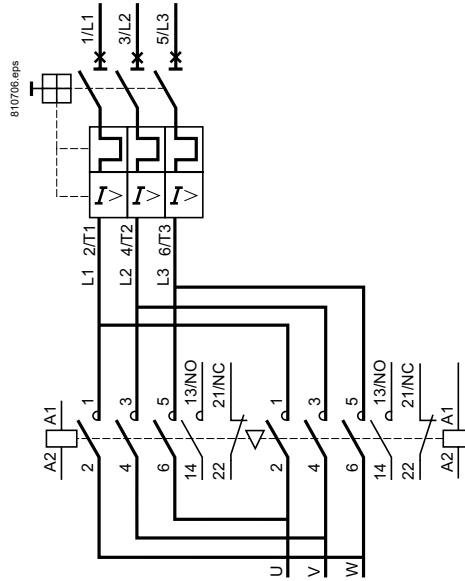
GV2ME●●K2●●



GV2DM1●●●●



GV2DM2●●●●



TeSys Control

Open pre-cabled motor starters

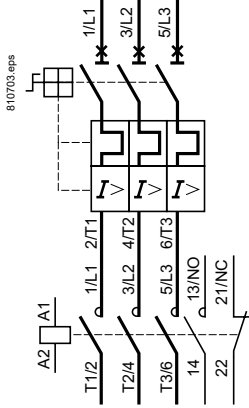
Schemes



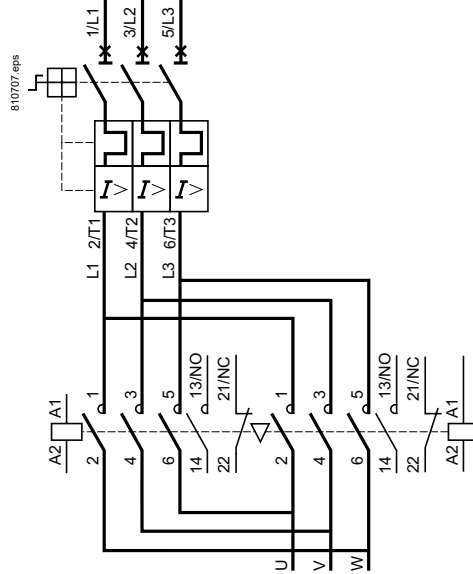
References:
p. A2/6 to A2/7

Dimensions:
p. A2/18 to A2/19

GV2P●● + LC1D●●●●

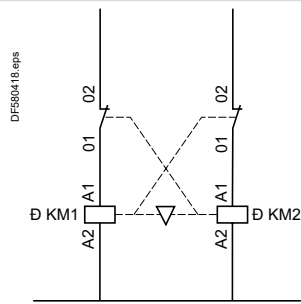
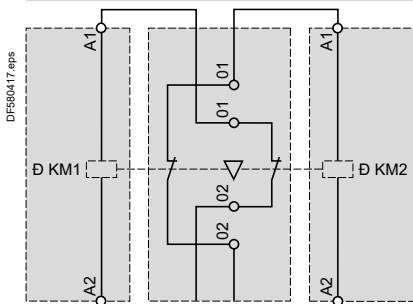


GV2P●● + LC2D●●●●

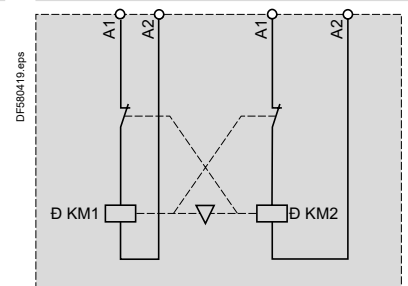


Mechanical interlock with integral electrical contacts

Control circuit ~



Control circuit ☐



Open
motor
starters

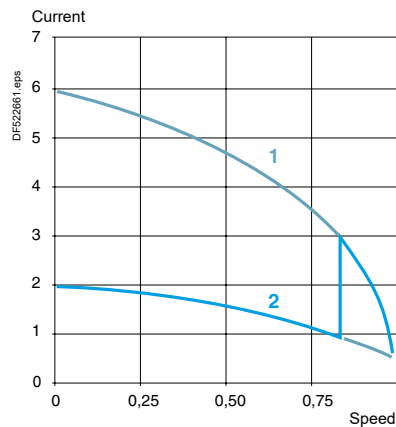


References:
p. A2/8 to A2/15

Dimensions:
p. A2/23 to A2/26

Schemes:
p. A2/24 to A2/28

Star-delta starting

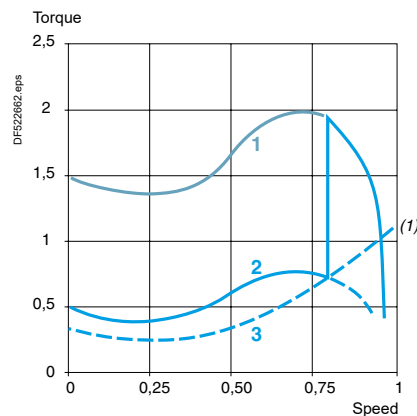


This method of starting is applicable to motors on which all 6 stator terminals are accessible and whose delta connection voltage corresponds to the mains voltage.

Star-delta starting should be used for motors starting on no-load or having a low load torque and gradual build-up:

- the starting torque in star connection is reduced to one third of the direct starting torque, i.e. about 50 % of the rated torque.
- the starting current in star connection is about 1.8 to 2.6 times the rated current.

- 1 Starting in direct delta connection
- 2 Starting in star connection



The transition from star to delta connection must occur when the machine has run up to speed. A too rapid build-up in load torque would cause the stabilised run-up speed to be too low and would therefore eliminate any advantage in this method of starting: this is the case with certain machines whose load torque depends on the machine speed (a characteristic of centrifugal machines, for example).

All star-delta starters are supplied with a special LADS2 or LA2KT2 time delay relay which imposes a delay on the delta contactor during the transition period in order to allow the star contactor sufficient breaking time.

- 1 Starting in direct delta connection
- 2 Starting in star connection
- 3 Resistive torque of the machine

For ratings D115A and D150A, this function is performed by a time delay auxiliary contact block LADT2 and a control relay.

(1) Motor manufacturers generally specify machine load torques.
Example: maximum resistive torque on completion of star-delta start (expressed as a proportion of the rated torque).

TeSys Control

Star-delta starters

Dimensions, mounting



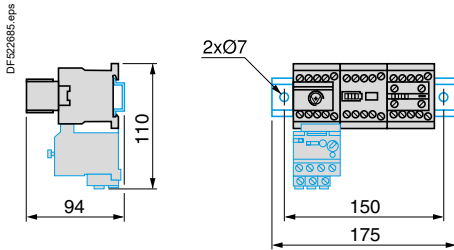
References:
p. A2/8 to A2/11

Description:
p. A2/22

Schemes:
p. A2/24

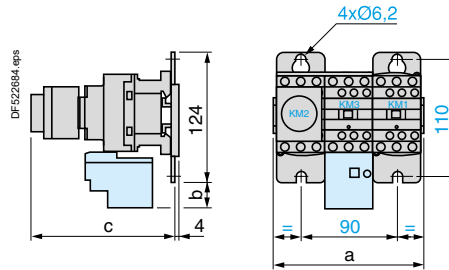
Dimensions

LC3K plate mounted, pre-assembled



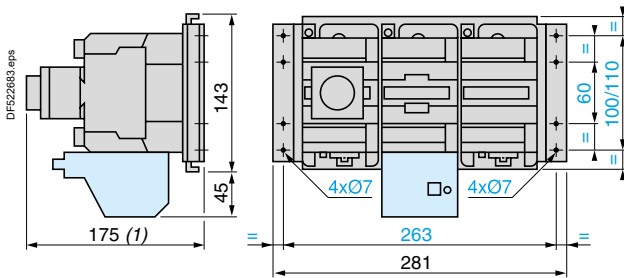
On starters LC3D09A to D18A, a connection block is mounted on the upper part of contactor KM2, increasing the overall height of the product by 6.5 mm.

LC3D09A...D32A pre-assembled or 3 x LC1D09A...D32A (customer assembly) + components



LC3	D09A	D12A	D18A	D32A
a	143	143	144	165
b	26.5	26.5	26.5	32.5
c	with LADS	139	139	145
	with LADS and sealing cover	143	143	149

LC3D80 pre-assembled or 3 x LC1D80 (customer assembly) + components



(1) +4 mm with sealing cover

Open motor starters

TeSys Control

Star-delta starters

Dimensions, mounting, schemes

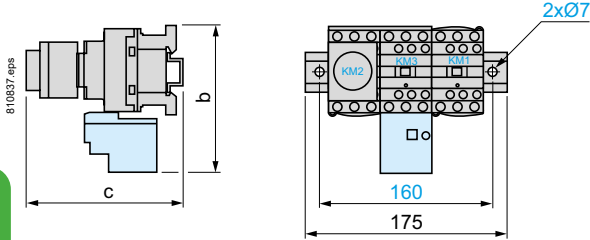


References:
p. A2/8 to A2/11

Dimensions:
p. A2/18

Dimensions

LC3D090A à D320A on NSYS DR mounting rail, pre-assembled



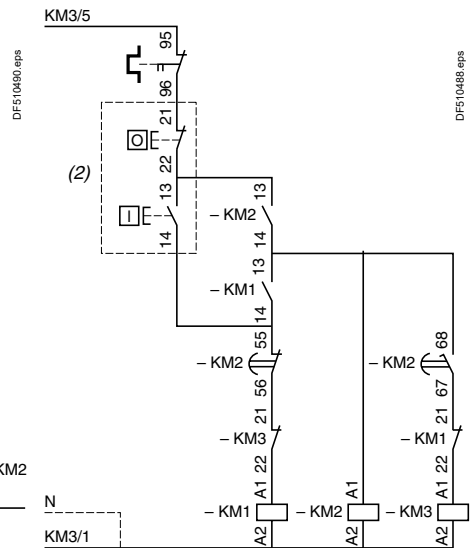
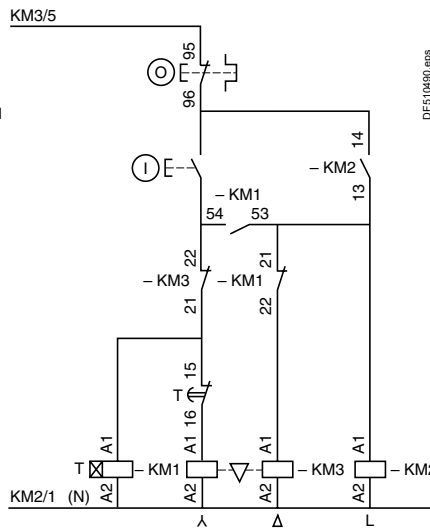
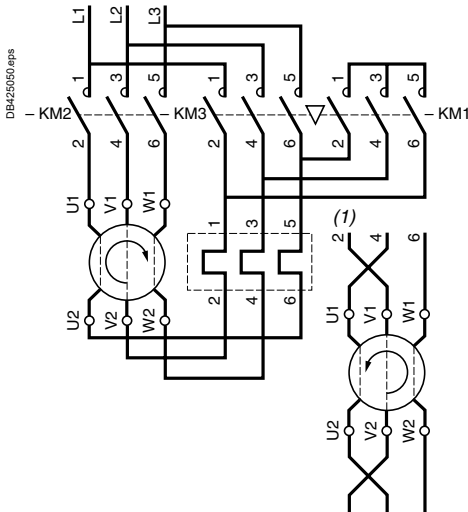
LC3	D090A à D180A	D320A
b	153	137
c	with LADS	139
	with LADS and sealing cover	143
		149

Schemes

LC3K, LC3D09A to D80
LC3D090A to D320A

LC3K

LC3D



Note: LC3D09A to D18A: Mechanical interlock between KM3 and KM1.

TeSys Control Star-delta starters

Dimensions, mounting



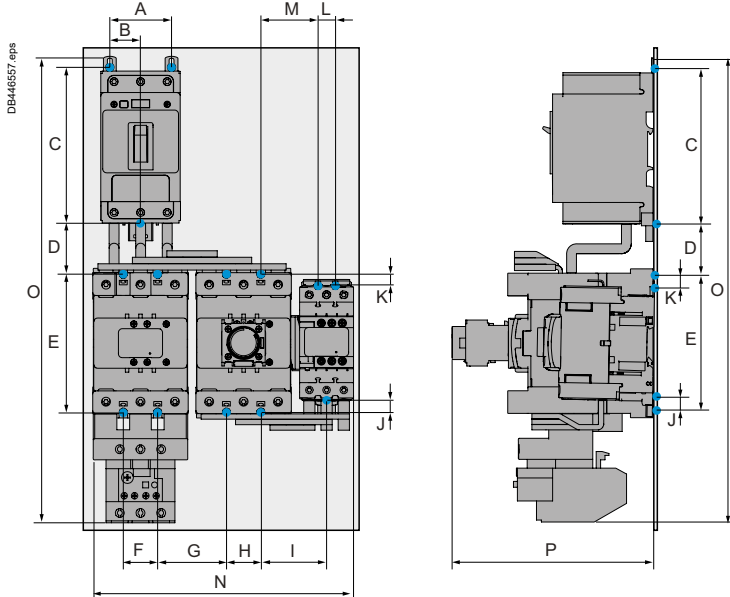
References:
p. A2/12 to A2/13

Description:
p. A2/22

Schemes:
p. A2/27

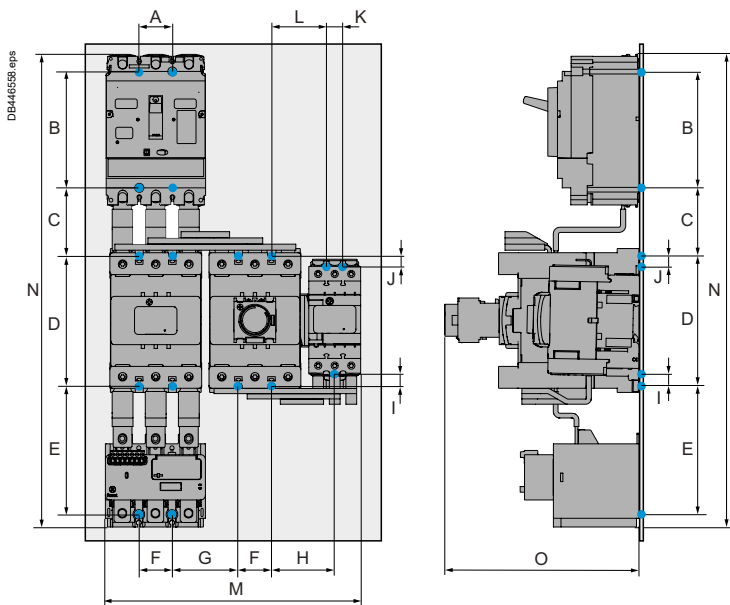
Dimensions

TeSys Deca Advanced star-delta starters with mechanical interlock for customer assembly on back-panel



Note: All dimensions are in mm.

Circuit Breaker	Line & Delta Contactor	Star Contactor	Overload Relay													Overall width	Overall height	Overall depth	
				A	B	C	D	E	F	G	H	I	J	K	L				M
GV4 & NSX100	LC1D115A and D150A	LC1D40A... LC1D65A	LRD33●●+ LA7D3058	63	31.5	175	40	140	35	70	35	66.75	1.5	10.5	37.5	48	274.5	474	205



Note: All dimensions are in mm.

Circuit Breaker	Line & Delta Contactor	Star Contactor	Overload Relay													Overall width	Overall height	Overall depth
				A	B	C	D	E	F	G	H	I	J	K	L			
GV5 & NSX160... NSX250	LC1D115A and D150A	LC1D40A... LC1D65A	LRD3●●	35	125	70	140	N.A	35	70	48	1.5	10.5	37.5	48	274.5	464	205
GV5 & NSX160... NSX250	LC1D115A and D150A	LC1D115A and D150A	LRD33●●	35	125	70	140	N.A	35	70	70	0	0	35	70	311	464	205
GV5 & NSX160... NSX250	LC1D115A and D150A	LC1D40A... LC1D65A	LR9G●●	35	125	70	140	134.5	35	70	48	1.5	10.5	37.5	48	270	499.5	205
GV5 & NSX160... NSX250	LC1D115A and D150A	LC1D115A and D150A	LR9G●●	35	125	70	140	134.5	35	70	70	0	0	35	70	311	499.5	205

Open motor starters

TeSys Control

Star-delta starters

Dimensions, mounting



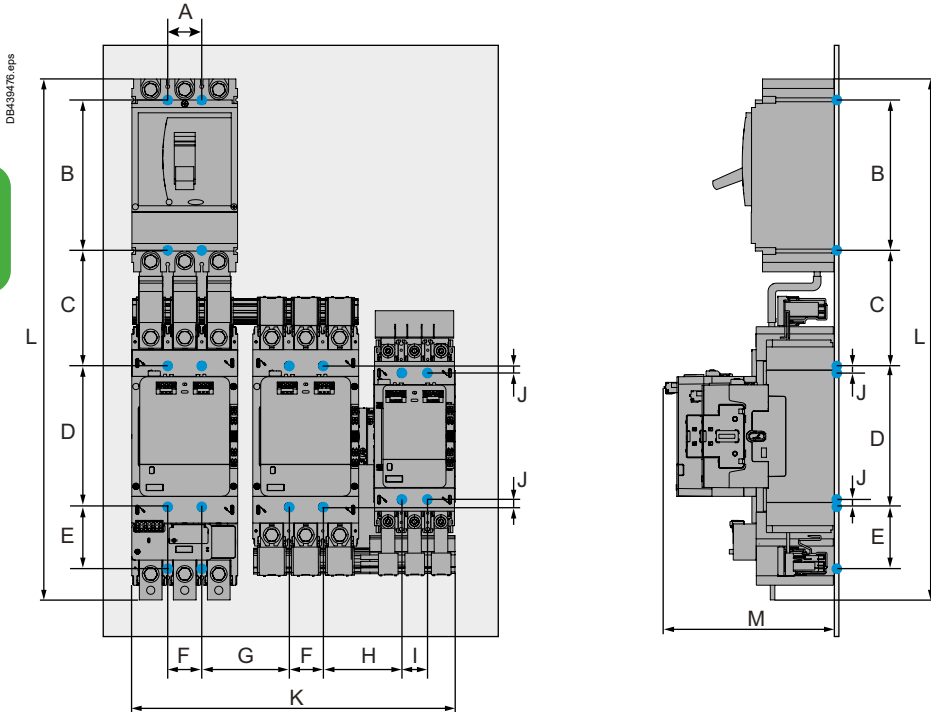
References:
p. A2/14 to A2/15

Description:
p. A2/22

Schemes:
p. A2/28

Dimensions

TeSys Giga star-delta starters with mechanical interlock for customer assembly on back-panel



Open motor starters

Circuit Breaker	Line & Delta Contactor	Star Contactor	Overload Relay											Overall width	Overall height	Overall depth
				A	B	C	D	E	F	G	H	I	J			
NSX250	LC1G115 ...225	LC1G115 ...225	LR9G115/ LR9G225	35	125	87	166	79.15	35	92.7	92.7	35	0	364	523	193
NSX400/ NSX630	LC1G115 ...225	LC1G115 ...225	LR9G115/ LR9G225	45	200	118	166	79.15	35	92.7	92.7	35	0	364	565.5	193
NSX400/ NSX630	LC1G265 ...500	LC1G115 ...225	LR9G500	45	200	118	187	81.85	45	115	103.85	35	10.5	428	670	225
NSX400/ NSX630	LC1G265 ...500	LC1G265 ...500	LR9G500	45	200	118	187	81.85	45	115	115	45	0	463	670	225
NS800	LC1G265 ...500	LC1G115 ...225	LR9G500	199	200	217	187	81.85	45	115	103.85	35	10.5	428	804.6	225
NS800	LC1G265 ...500	LC1G265 ...500	LR9G500	199	200	217	187	81.85	45	115	115	45	0	463	804.6	225

Note: All dimensions are in mm.

TeSys Control

Star-delta starters

Schemes



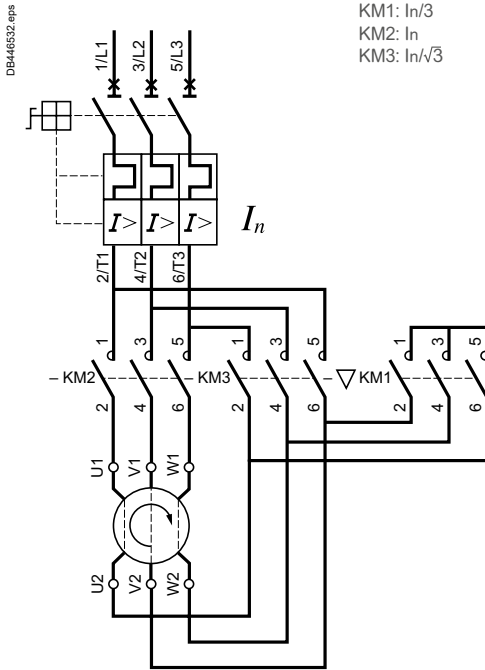
References:
p. A2/12 to A2/13

Description:
p. A2/22

Dimensions:
p. A2/25

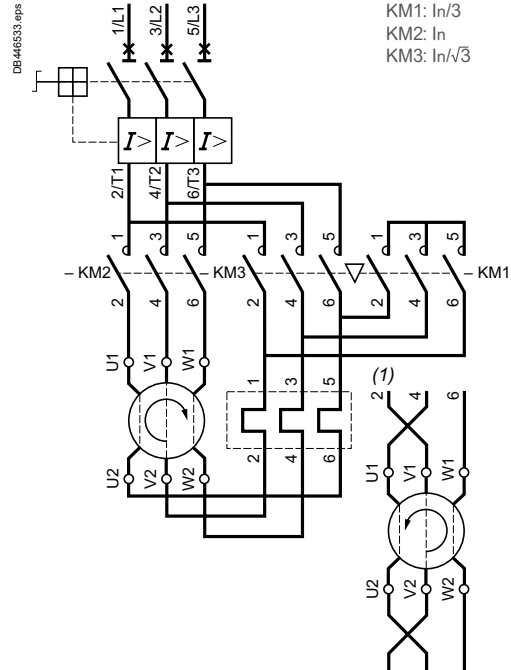
TeSys Deca Advanced Star-Delta motor starter 'Power' circuit diagram

Thermal magnetic circuit breaker + contactors



KM1: In/3
KM2: In
KM3: In/√3

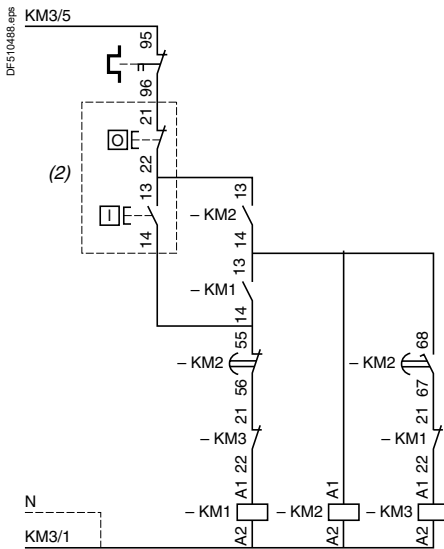
Magnetic circuit breaker + contactors + overload relay



KM1: In/3
KM2: In
KM3: In/√3

Open
motor
starters

Star-Delta motor starter 'Control' circuit diagram



- (1) Recommended cabling for reversal of motor rotation (standard motor, viewed from shaft end).
- (2) Remote control.

TeSys Control

Star-delta starters

Schemes



References:
p. A2/14 to A2/15

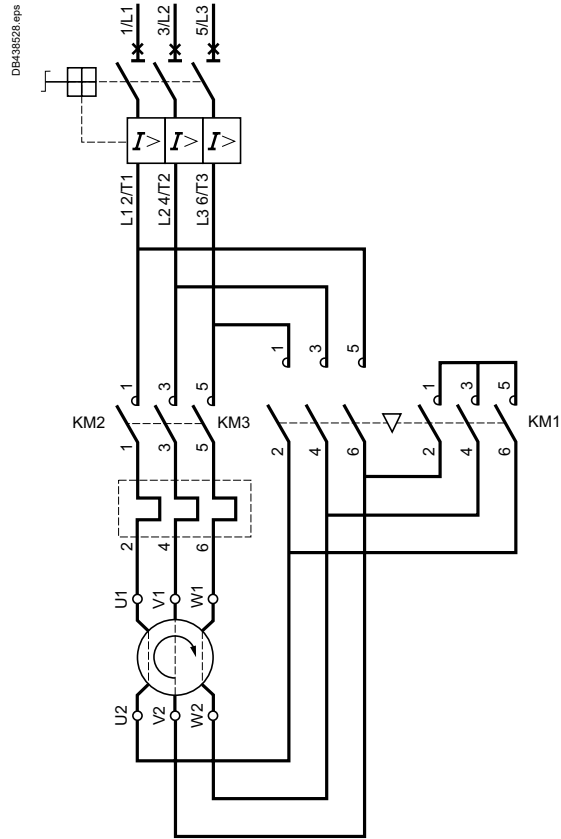
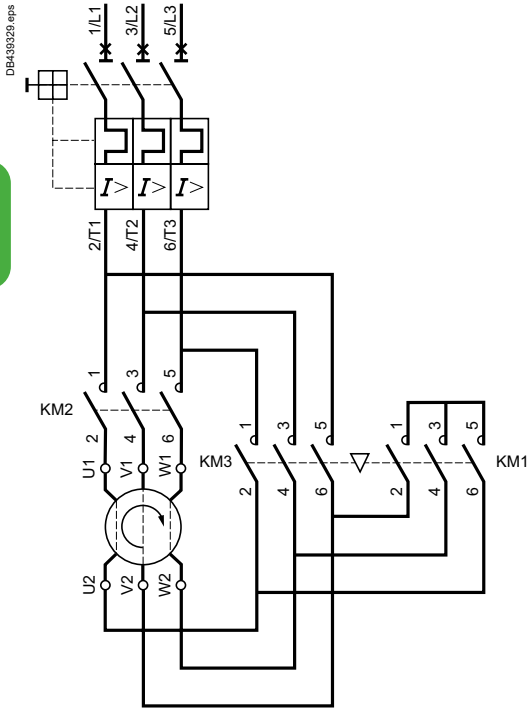
Description:
p. A2/22

Dimensions:
p. A2/26

TeSys Giga star-delta motor 'Power' circuit diagram

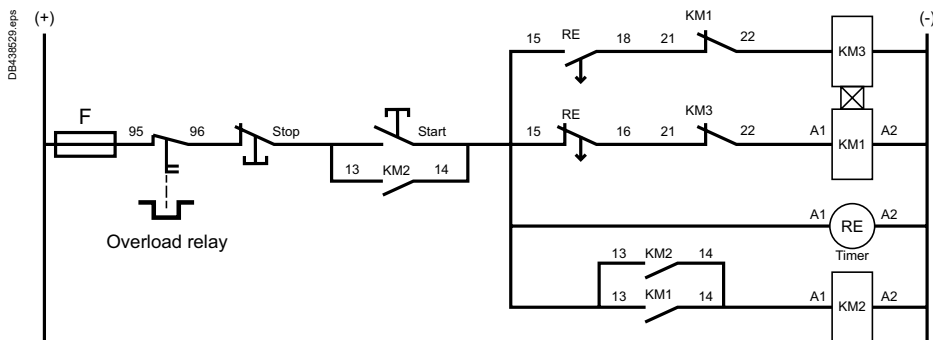
Thermal magnetic circuit breaker + contactors

Magnetic circuit breaker + contactors + overload relay



Open motor starters

TeSys Giga star-delta motor 'Control' circuit diagram





Recommended timing relay (RE): Zelio Timer ref. **RE17RMMWS** (12...240 V AC/DC 50/60 Hz – 8 AAC/DC contacts)

Introduction

A3/2

TeSys Hybrid motor starters

Type of product	Range		Page
<p>Ultra-compact starters IEC ratings Standard starters, screw or spring terminals, direct-on-line or reverse</p> <p>Safety starters, screw or spring terminals, direct-on-line or reverse</p>	<p>Up to 3 kW AC53a Up to 9 A AC51</p>		A3/6
<p>Ultra-compact starters UL ratings Standard starters, screw or spring terminals, direct-on-line or reverse</p> <p>Safety starters, screw or spring terminals, direct-on-line or reverse</p>	<p>Up to 3 hp AC53a Up to 9 A AC51</p>		A3/7
<p>TeSys Deca Circuit breakers for a group of starters Selection of magnetic motor circuit breakers TeSys GV2L – rotary knob TeSys GV2LE – rocker lever</p>	<p>Up to 32 A</p>		A3/8

Hybrid
motor
starters

Technical Data for Designers

A3/11

The most compact 3 KW / 400 V starter in the world

Hybrid
motor
starters



Up to 75 % of space reduction

- Ultra-compact 22.5 mm starter
- Reversing starter in the same width
- Maximum space savings for group starter architecture

Long electrical durability

- Suitable for high demanding application
- 30 000 000 of AC53a electrical cycles

> With printed QR code, referring directly to the product data sheet.

Easy Design

- Wide range setting motor protection
- Automatic, manual or remote reset after thermal trip
- Wide range of control voltage

Easy to integrate

- Direct mounting installation on DIN rail
- Control terminals on the upper side
- Power terminal on the lower side

Standard version

- 2 ratings:
 - 2.4 A 400 V AC53a
 - 6.5 A 400 V AC53a
- 2 control voltages:
 - 24 V DC
 - 110 V / 230 V AC
- 2 terminal types:
 - Screw clamps
 - Spring
- Can provide up to 3 functions:
 - Forward running
 - Reverse running
 - Overload protection



Hybrid
motor
starters



Safety version

- Safe Torque Off embedded:
 - SIL3 according to IEC61508-1
 - Ple according to ISO13849-1
- ATEX:
 - As associated devices for motor protection



Hybrid motor starters are a solution dedicated to low footprint applications, in industries as food and beverage, logistics, and durable goods.



Hybrid motor starters

Conventional.....OR.....Hybrid Standard starter



Direct-on-line



Reverse

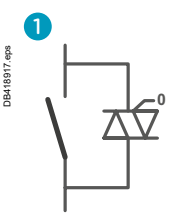


> How does the hybrid technology work ?

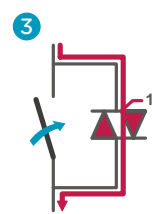
Hybrid technology:
Each contact is coupled with a power semiconductor for switching

> Higher number of on/off switches, extended durability.

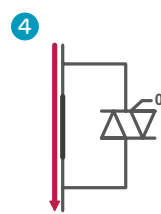
> Closing



Start: conduction through the semiconductor.

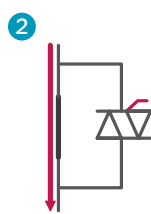
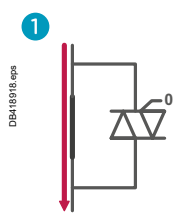


Contact closure under zero voltage. No electrical arc: the contact is preserved.



The semiconductor is non-conducting.

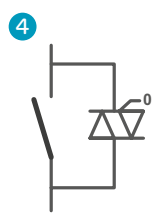
> Opening



Before the opening of the contact the semiconductor is triggered.

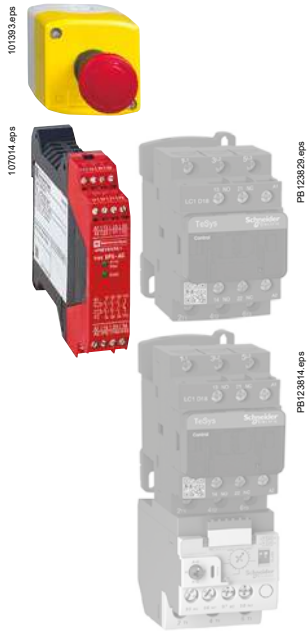


Contact opening: - no arc: the contact is preserved.



Stop: the semiconductor becomes non-conducting.

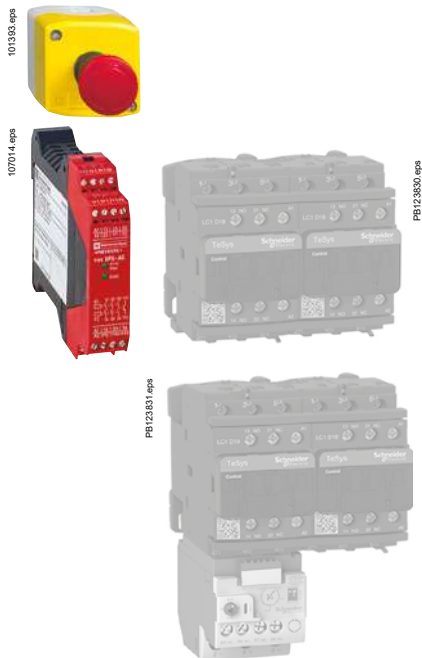
Conventional OR Hybrid Safety starter



Direct-on-line



Hybrid motor starters



Reverse



Hybrid Safety starter

- Immediate respect of the highest safety standards
- Simplified design of your safety electrical architecture
- Quicker panel implementation

TeSys Control

DOL/Reverser, Standard/Safety Hybrid starters

Product references (per IEC ratings)



Description:
p. A3/12 to A3/13

Characteristics:
p. A3/14 to A3/15

Curves:
p. A3/16 to A3/17

Dimensions:
p. A3/18

Schemes:
p. A3/18

Starters for asynchronous motors - AC53a utilization category:

Standard starters hybrid per IEC ratings									
Starters	3- phases motor: max power (KW) for various voltage							Current range	Commercial references
	220 V	230 V	380 V	400 V	415 V	440 V	500 V		
Direct-on-line									
Screw terminals	0.37	0.37	0.75	0.75	0.75	0.75	1.1	0.18...2.4	LZ1H2X4BD
	1.5	1.5	2.2	3	3	3	3	1.5...6.5	LZ1H6X5BD
Spring terminals	0.37	0.37	0.75	0.75	0.75	0.75	1.1	0.18...2.4	LZ1H2X43BD
	1.5	1.5	2.2	3	3	3	3	1.5...6.5	LZ1H6X53BD
Reverse									
Screw terminals	0.37	0.37	0.75	0.75	0.75	0.75	1.1	0.18...2.4	LZ2H2X4BD
	1.5	1.5	2.2	3	3	3	3	1.5...6.5	LZ2H6X5BD
Spring terminals	0.37	0.37	0.75	0.75	0.75	0.75	1.1	0.18...2.4	LZ2H2X43BD
	1.5	1.5	2.2	3	3	3	3	1.5...6.5	LZ2H6X53BD

PB114711.eps



LZ1H2X4BD

Hybrid
motor
starters

Safety starters hybrid per IEC ratings									
Starters	3- phases motor: max power (KW) for different tensions							Current range	Commercial references
	220 V	230 V	380 V	400 V	415 V	440 V	500 V		
Direct-on-line									
Screw terminals	0.37	0.37	0.75	0.75	0.75	0.75	1.1	0.18...2.4	LZ7H2X4BD
	1.5	1.5	2.2	3	3	3	3	1.5...6.5	LZ7H6X5BD
Spring terminals	0.37	0.37	0.75	0.75	0.75	0.75	1.1	0.18...2.4	LZ7H2X43BD
	1.5	1.5	2.2	3	3	3	3	1.5...6.5	LZ7H6X53BD
Reverse									
Screw terminals	0.37	0.37	0.75	0.75	0.75	0.75	1.1	0.18...2.4	LZ8H2X4BD
	1.5	1.5	2.2	3	3	3	3	1.5...6.5	LZ8H6X5BD
Spring terminals	0.37	0.37	0.75	0.75	0.75	0.75	1.1	0.18...2.4	LZ8H2X43BD
	1.5	1.5	2.2	3	3	3	3	1.5...6.5	LZ8H6X53BD

PB114715.eps



LZ7H2X4BD

Starters for resistive load AC51 utilization category:

Starters	Resistive load current	Application	Commercial references
	A		
Screw terminals	2.4	Standard	LZ1H2X4BD
		Safety	LZ7H2X4BD
	9	Standard	LZ1H6X5BD
		Safety	LZ7H6X5BD
Spring terminals	2.4	Standard	LZ1H2X43BD
		Safety	LZ7H2X43BD
	9	Standard	LZ1H6X53BD
		Safety	LZ7H6X53BD

TeSys Control

DOL/Reverser, Standard/Safety Hybrid starters

Product references (per UL ratings)



Description:
p. A3/12 to A3/13

Characteristics:
p. A3/14 to A3/15

Curves:
p. A3/16 to A3/17

Dimensions:
p. A3/18

Schemes:
p. A3/18

Starters for asynchronous motors - AC53a utilization category:

Standard starters hybrid per UL ratings

Starters	3- phases motor in HP			Current range A	Commercial references
	208 V	220 V - 240 V	440 V - 480 V		
Direct-on-line					
Screw terminals	1/2	1/2	1	0.18...2.4	LZ1H2X4BD
	1	1.5	3	1.5...6.5	LZ1H6X5BD
Spring terminals	1/2	1/2	1	0.18...2.4	LZ1H2X43BD
	1	1.5	3	1.5...6.5	LZ1H6X53BD
Reverse					
Screw terminals	1/2	1/2	1	0.18...2.4	LZ2H2X4BD
	1	1.5	3	1.5...6.5	LZ2H6X5BD
Spring terminals	1/2	1/2	1	0.18...2.4	LZ2H2X43BD
	1	1.5	3	1.5...6.5	LZ2H6X53BD

PB114713.eps



LZ1H2X43BD

Safety starters hybrid per UL ratings

Starters	3- phases motor in HP			Current range A	Commercial references
	208 V	220 V - 240 V	440 V - 480 V		
Direct-on-line					
Screw terminals	1/2	1/2	1	0.18...2.4	LZ7H2X4BD
	1	1.5	3	1.5...6.5	LZ7H6X5BD
Spring terminals	1/2	1/2	1	0.18...2.4	LZ7H2X43BD
	1	1.5	3	1.5...6.5	LZ7H6X53BD
Reverse					
Screw terminals	1/2	1/2	1	0.18...2.4	LZ8H2X4BD
	1	1.5	3	1.5...6.5	LZ8H6X5BD
Spring terminals	1/2	1/2	1	0.18...2.4	LZ8H2X43BD
	1	1.5	3	1.5...6.5	LZ8H6X53BD

PB114716.eps



LZ8H6X5BD

Hybrid motor starters

Starters for resistive load AC51 utilization category:

Starters	Resistive load current	Application	Commercial references
	A		
Screw terminals	2.4	Standard	LZ1H2X4BD
		Safety	LZ7H2X4BD
	9	Standard	LZ1H6X5BD
		Safety	LZ7H6X5BD
Spring terminals	2.4	Standard	LZ1H2X43BD
		Safety	LZ7H2X43BD
	9	Standard	LZ1H6X53BD
		Safety	LZ7H6X53BD

TeSys Control

Deca Magnetic circuit breakers for group protection

Selection table



Magnetic motor circuit breakers:

- GV2L: rotary knob type - Ue = 500 V
- GV2LE: rocker lever type - Ue = 415 V.

Selection of the circuit breaker Type 1 coordination according to IEC/EN 60947-4-2

Max A	Iq kA	Number of H		Reference Circuit breaker	
		2.4 A	6.5 A	Rotary	Rocker
0.4	50.0	1	–	GV2L03	GV2LE03
0.63	50.0	1	–	GV2L04	GV2LE04
1	50.0	1	1	GV2L05	GV2LE05
1.6	50.0	1	1	GV2L06	GV2LE06
2.5	35.0	1	1	GV2L07	GV2LE07
4	12.5	1	1	GV2L08	GV2LE08
6.3	8.0	2	1	GV2L10	GV2LE10
10	7.0	4	1	GV2L14	GV2LE14
14	5.0	5	2	GV2L16	GV2LE16
18	4.0	7	2	GV2L20	GV2LE20
25	4.0	10	3	GV2L22	GV2LE22
32	3.0	13	4	GV2L32	GV2LE32

Hybrid
motor
starters



GV2L + LZ2H2X4BD

Hybrid
motor
starters

TeSys Control


Hybrid motor starters

Product references

LZ1H2X43BD
LZ1H2X4BD
LZ1H6X53BD
LZ1H6X5BD
LZ2H2X43BD
LZ2H2X4BD
LZ2H6X53BD
LZ2H6X5BD

LZ7H2X43BD
LZ7H2X4BD
LZ7H6X53BD
LZ7H6X5BD
LZ8H2X43BD
LZ8H2X4BD
LZ8H6X53BD
LZ8H6X5BD

Hybrid
motor
starters

This document is current.  Click on the product reference to get the most recent availability status (hyperlink to [se.com](https://www.se.com) product datasheet).
If your product variant is no longer available, please consult your distributor or regional sales office.

Technical Data for Designers

Contents

Description	A3/12 to A3/13
Characteristics.....	A3/14 to A3/15
Curves	A3/16 to A3/17
Dimensions and schemes	A3/18



References:
p. A3/6 to A3/7

Characteristics:
p. A3/14 to A3/15

Curves:
p. A3/16 to A3/17

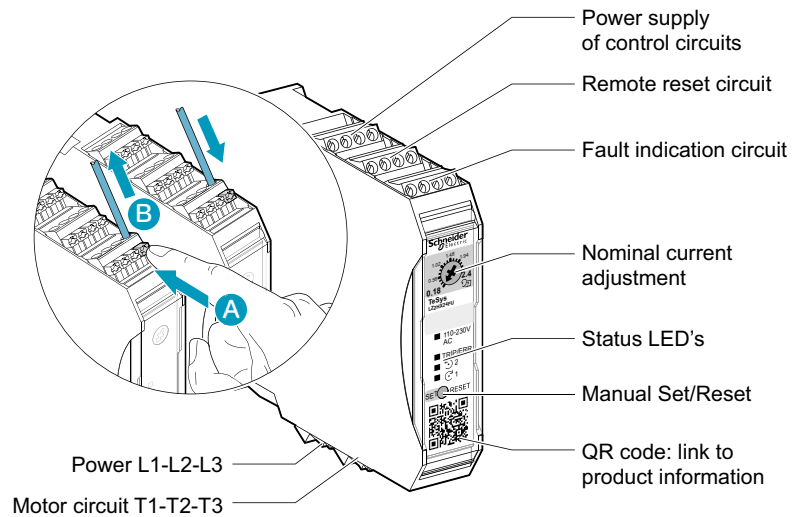
Dimensions:
p. A3/18

Schemes:
p. A3/18

Identification of terminals / Indicators / Setting means and procedure

Setting procedure

DB4185803.eps



STEP	ACTION
1	Lift the cover on the front of the Hybrid motor starter to access the SET/RESET button.
2	Press and hold down the SET/RESET button for at least 6 seconds. After 6 seconds the 110-230 V AC or 24 V DC LED flashes once.
3	After the LED has flashed once, release the SET/RESET button.
4	Turn the potentiometer to select a nominal current, and then fine-tune the position until the LEDs indicate the exact nominal current.
5	Press the SET/RESET button to save the selected nominal current. The 110-230 V AC or 24 V DC LED comes on and the other LEDs go off.
6	Drop the cover back over the front of the Hybrid motor starter.

Protection functions

The protection of three - phase motors is ensured against potential faults

- Thermal overload: the motor currents exceed the set value.
- Phase unbalanced: the motor currents differ from each other by more than 33 %
- Phase loss: power missing on one or several phases
- Stall and jam: motor current exceeding 45 A for more that 2 s during starting or running phase - No motor is connected - Motor current is lower that the minimum configurable current for more than 2 seconds, on at least two phases.

For all this detected situations, the Hybrid motor starter will switch off, activate its TRP/ERR LED and fault signaling contact.

Please refer to the "Instruction sheet and User Guide" for more information.



References:
p. A3/6 to A3/7

Characteristics:
p. A3/14 to A3/15

Curves:
p. A3/16 to A3/17

Dimensions:
p. A3/18

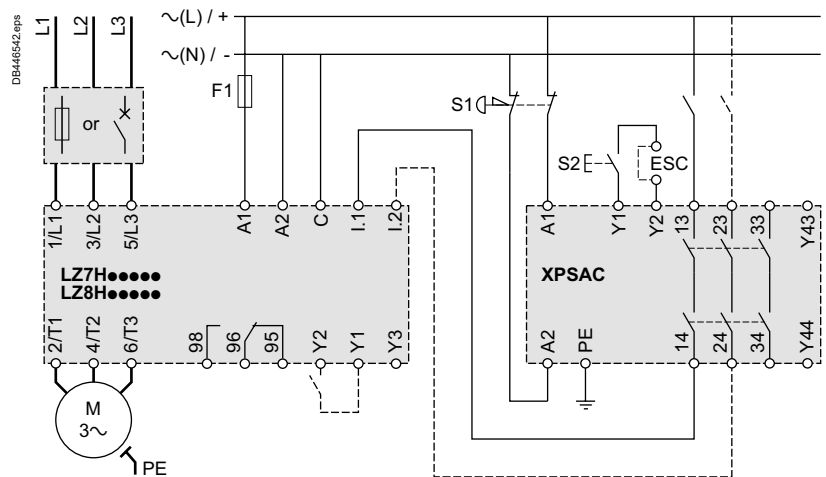
Schemes:
p. A3/18

Electrical diagrams for Safety chain applications

Preferred

Electrical life time: 30000000 AC53a electrical cycles

Safety Chain Application for Monitoring Emergency STOP Circuits with Two Channel Inputs and Two Channel Outputs with Preventa XPSAF Safety Processing Device.

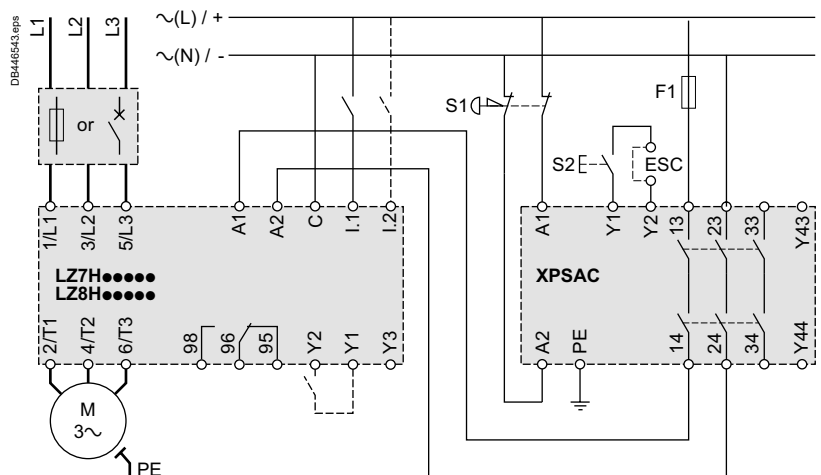


Hybrid
motor
starters

Possible but non- recommended

Electrical life time: 10000 AC53 a electrical cycles

Safety Chain Application for Monitoring Emergency Stop Circuits with Two Channel Inputs and Two Channel Outputs with Preventa XPSAC Safety Processing Device.



TeSys Control

Hybrid motor starters

Characteristics



References:
p. A3/6 to A3/7

Description:
p. A3/12 to A3/13

Curves:
p. A3/16 to A3/17

Dimensions:
p. A3/18

Schemes:
p. A3/18

Hybrid
motor
starters

Environment			
Rated insulation voltage (Ui)	Conforming to IEC/EN 60947-1, overvoltage category III, degree of pollution: 2	V	500
Rated impulse withstand voltage (Uimp)	Conforming to IEC/EN 60947-4-2	kV	6 (24 V DC control voltage); 4 (110 V - 230 V AC control voltage)
Conforming to standards			IEC / EN 60947-4-2
Product certifications			CE, CUL, ATEX (for failsafe product), CCC, UKCA
Degree of protection	Conforming to IEC / EN 60947-1		IP20
Environment category	Conforming to IEC / EN 60947-1		E
Climatic withstand			Conforming to IEC/EN 60068-2-30
Ambient air temperature around the device	Storage	°C	-40...+80
	Operation (see derating curves)	°C	-25...+70
Maximum operating altitude	without derating	m	2000
	with derating	m	No
Operating positions (see derating curves)	Vertical axis (horizontal DIN rail)		Yes
	Horizontal axis (vertical DIN rail)		Not authorised
Shock resistance	Conforming to IEC/EN 60068-2-27	gn	30 Starter OFF
1/2 sine wave = 18 ms		gn	30 Starter ON
Vibration resistance	Conforming to IEC/EN 60068-2-6	gn	5 Starter OFF
10... 150 Hz		gn	5 Starter ON
Resistance to electrostatic discharge	Conforming to IEC/EN 61000-4-2	kV	Air discharge: 8 kV
		kV	Contact discharge: 6 kV
Immunity to radiated high-frequency disturbance	Conforming to IEC/EN 61000-4-3		
	80 - 1 GHz	V/m	20
	1.0 - 6 GHz	V/m	10
Immunity to fast transient currents	Conforming to IEC/EN 61000-4-4	kV	3
Immunity to conducted high frequency disturbances	Conforming to IEC/EN 61000-4-6	V	10
Radiated emission and conducted	Conforming to CISPR 11 and EN 55011		Class A
Surge	Conforming to IEC/EN 61000-4-5	kV	1 symmetrical
		kV	2 asymmetrical

Control circuit characteristics			
Rated voltage	---	V	24
Voltage limits	---	V	19.2...30
Voltage dips		ms	3
Short time interruptions		ms	3
Consumption		mA	45 for 24 V DC 12 for 230 V AC

Power circuit characteristics				
			LZ●2X4●●	LZ●6X5●●
Power dissipation for corresponding Rated Operating Current (see derating curve)		W	0.88 ... 4.1	0.88 ... 7
Rated Operating Current	AC51 conforming to IEC/EN 60947-4-3	A	0.18 - 2.4	1.5 - 9
	AC53a conforming to IEC/EN 60947-4-2	A	0.18 - 2.4	1.5 - 6.5
Electrical life	AC51	Op	30 000 000 ⁽¹⁾	
		Op	10 000 ⁽²⁾	
	AC53A	Op	30 000 000 ⁽¹⁾	
		Op	10 000 ⁽²⁾	
Maximum Operating rate	AC51	Op/h	7200	
	AC53A		See curves	
Time to restart after overload trip	Manual or remote mode	mn	2	
	Automatic	mn	20	

Power and control terminal Characteristics				
Terminal type			Screw M3	Push in
Flexible cable without cable end	1 conductor	mm²	0.25...2.5	0.25...2.5
	2 conductors	mm²	0.25...0.75	
Flexible cable with cable end	1 conductor	mm²	0.25...2.5	0.25...2.5
	2 conductors	mm²	0.25...1.5	0.25...1.5
Solid cable without cable end	1 conductor	mm²	0.25...2.5	0.25...2.5
	2 conductors	mm²	0.25...0.75	
Screwdriver		mm	flat screwdriver: 3 mm	
Tightening torque		N.m	0.5..0.6	

(1) With ON/OFF control through control inputs (I₁, I₂ terminals) (2) With ON/OFF control through power supply (A₁, A₂ terminals).

TeSys Control

Hybrid motor starters

Characteristics



References:
p. A3/6 to A3/7

Description:
p. A3/12 to A3/13

Curves:
p. A3/16 to A3/17

Dimensions:
p. A3/18

Schemes:
p. A3/18

System conditions

Database for failure rates		SN 29500
System type		Type B
Standard used		IEC 61508
Beta factor		1 %
Mean time to failure (MTTF) at an ambient temperature 40 °C		39.3 (LZ7H or LZ8H 24 V DC) 39.1 (LZ7H or LZ8H 110/230 V AC)

Safe torque-off

		LZ7H or LZ8H 24 V DC	LZ7H or LZ8H 110/230 V AC
Ambient temperature	°C	40	40
Mean time to failure (MTTF)		517	289
Switch-off time		80	100
λ_{sd} [FIT] safe, detectable		664	638
λ_{su} [FIT] safe, undetectable		968	935
λ_{dd} [FIT] dangerous, detectable		218	388
λ_{du} [FIT] dangerous, undetectable		2.67	6.82
SFF [%] Safe failure fraction		99	99
DCS [%] Diagnostic coverage safe		40.7	40.6
DC [%] Diagnostic coverage		98	98
PFH Probability of dangerous failure per hour		2.67×10^{-9}	6.82×10^{-9}
Safety level		IEC/CEI 61508-1: SIL 3 ISO 13849-1: Category 3 PL e EN 60954-1: Category 3	

Motor overload protection

		LZ7H or LZ8H 24 V DC	LZ7H or LZ8H 110/230 V AC
Ambient temperature	°C	40	40
Mean time to failure (MTTF)		447	273
Time to trip		As for Class 10 A, IEC/CEI 60947-4-2	
λ_{sd} [FIT] safe, detectable		637	636
λ_{su} [FIT] safe, undetectable		870	841
λ_{dd} [FIT] dangerous, detectable		239	402
λ_{du} [FIT] dangerous, undetectable		17	17
SFF [%] Safe failure fraction		99	99
DCS [%] Diagnostic coverage safe		42.3	43.1
DC [%] Diagnostic coverage		93	95
Safety level		IEC/CEI 61508-1: SIL 2	



References:
p. A3/6 to A3/7

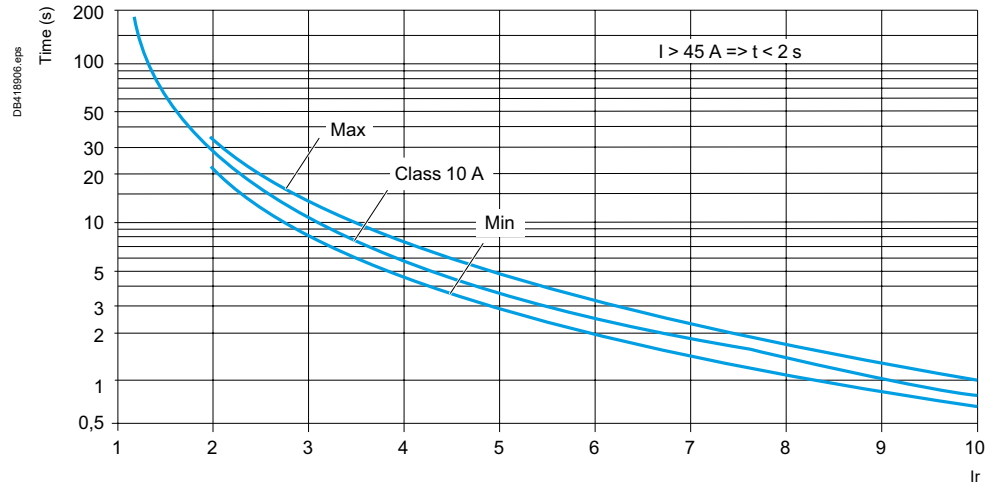
Description:
p. A3/12 to A3/13

Characteristics:
p. A3/14 to A3/15

Dimensions:
p. A3/18

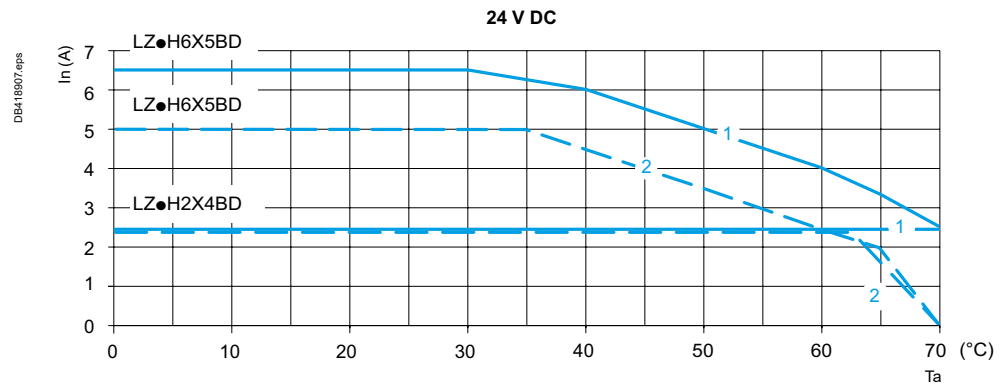
Schemes:
p. A3/18

Overload protection tripping curve at 20 °C



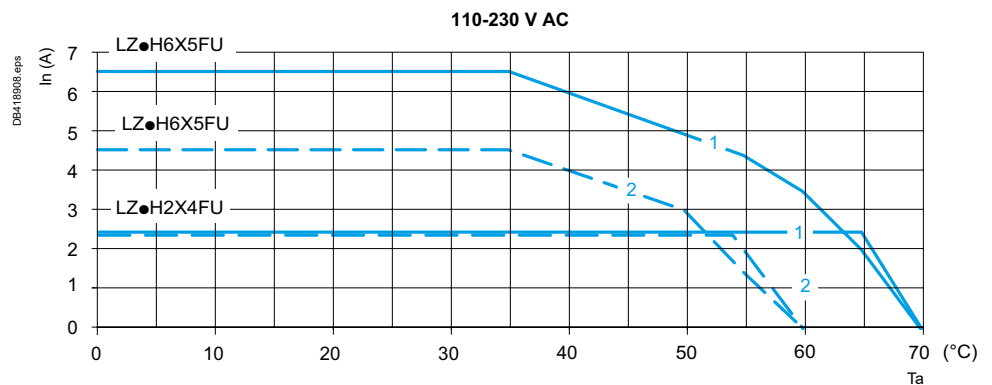
Hybrid motor starters

Derating curves: maximum load current (In)



Derating according:

- motor starter control power supply
- ambient temperature (Ta)
- distance between devices 1: 20 mm, with spacing
2: without spacing.





References:
p. A3/6 to A3/7

Description:
p. A3/12 to A3/13

Characteristics:
p. A3/14 to A3/15

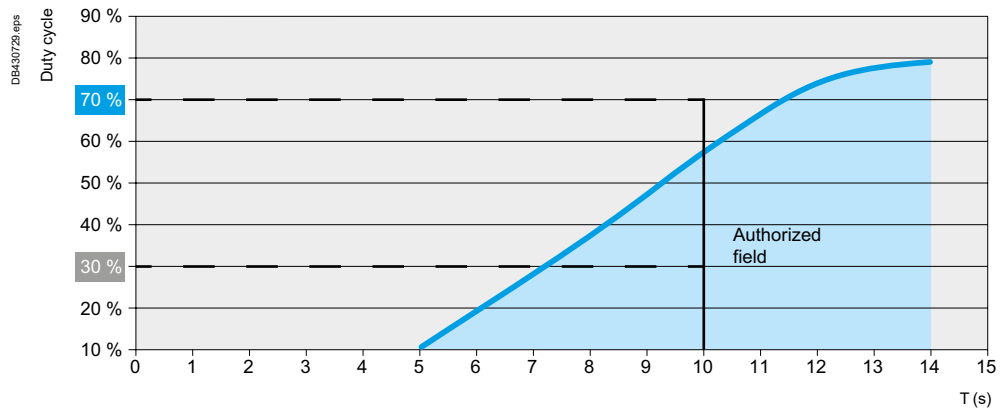
Dimensions:
p. A3/18

Schemes:
p. A3/18

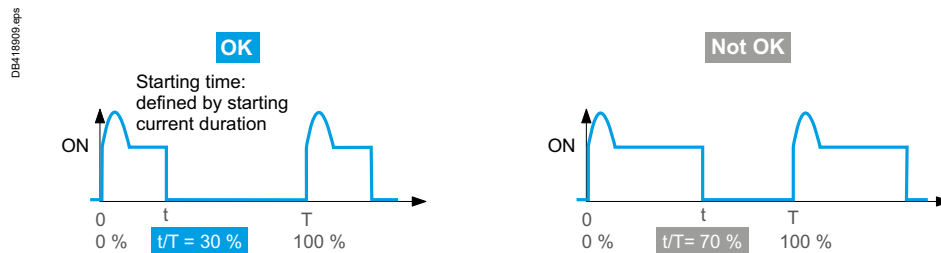
Minimum duty cycle t/T (%) versus cycle duration T (s)

Due to the effect of the peak current on the H monitoring circuit during the starting time, a stop/start sequence should not occur before a certain amount of time. The diagrams below show the minimum duty cycle according to the total period for 2 typical starting time values.

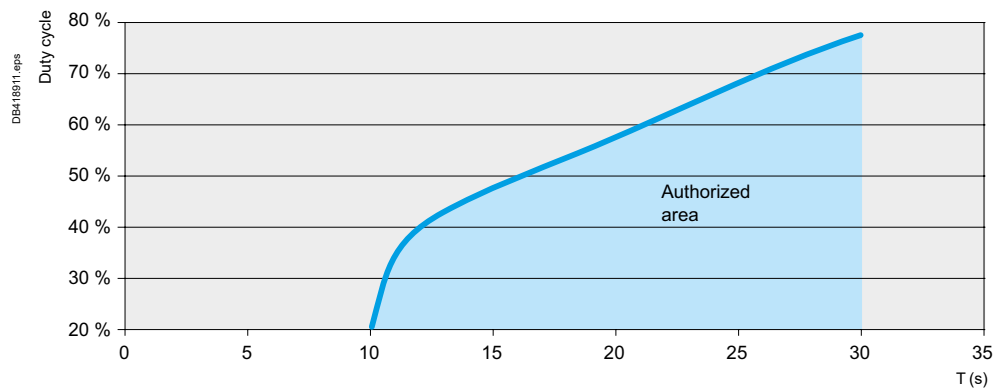
With a starting time = 100 ms



Example for starting time of 100 ms with period $T = 10$ s.



With a starting time = 150 ms



TeSys Control

Hybrid motor starters

Dimensions, schemes



References:
p. A3/6 to A3/7

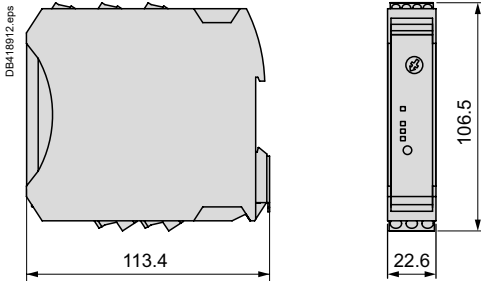
Description:
p. A3/12 to A3/13

Characteristics:
p. A3/14 to A3/15

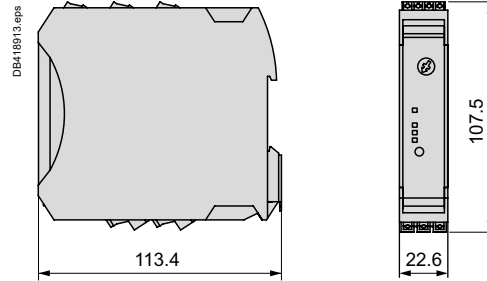
Curves:
p. A3/16 to A3/17

Dimensions mm

LZ●H●●●●●



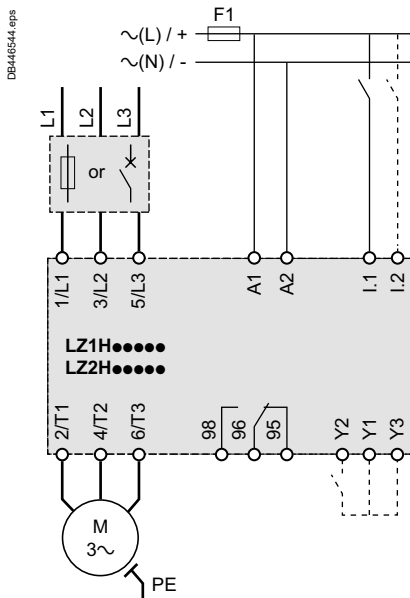
LZ●H●●●3●●



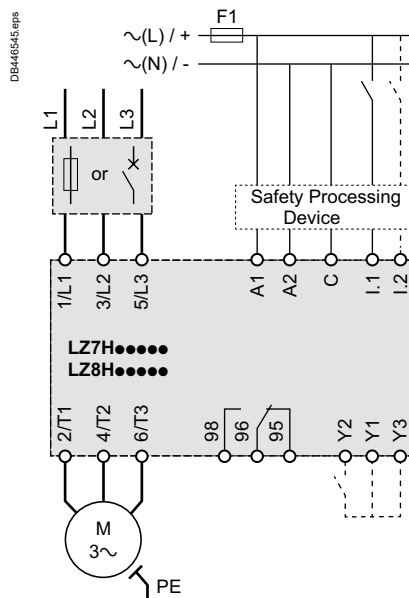
Hybrid
motor
starters

Wiring diagrams

Motor control by standard starter



Motor control by safety starter



Power terminals


T1, T2, T3 Motor connection
L1, L2, L3 Power inputs

Control terminals

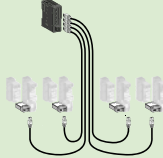
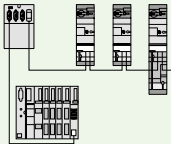

A1, A2 Auxiliary power unit
I.1 Control input, direction 1
I.2 Control input, direction 2
(LZ2H and LZ8H only)
C Control inputs common point
(LZ7H and LZ8H only)
Y1 Reset mode, common point
Y2 Reset mode, remote, manual
Y3 Reset mode, automatic
98, 96, 95 Trip or error signaling contact

Introduction A4/2

TeSys Ultra - Power bases, control modules, connectors

Type of product	Range		Page
Standard power base, basic control functionalities Direct and reversing	Up to 18.5 kW		A4/15

TeSys Ultra - Communication components

Parallel type cabling system Principle and components			A4/20
Bus type cabling systems Principle, panorama and components			A4/25
TeSys LUFPP communication gateway			A4/31

TeSys Ultra - Accessories

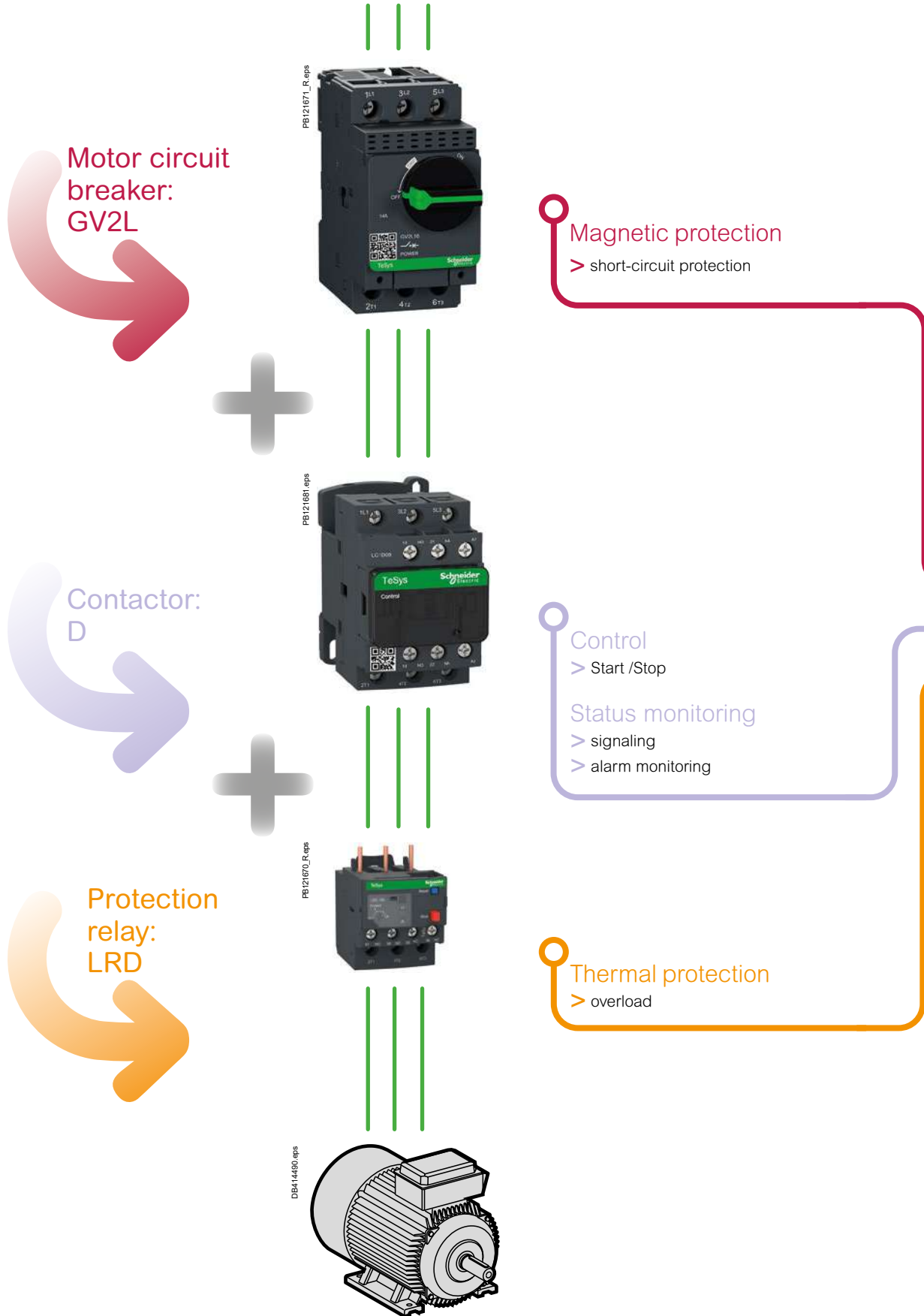
Short circuit current limiter			A4/32
Handles and accessories for rotary control			A4/33
Handles and accessories for integration into a MCC drawer			A4/34
TeSys Ultra with Altistart U01 Soft starters and Variable speed controllers			A4/35

Ultra
motor
starters

Technical Data for Designers A4/41

From traditional solution to ...

Ultra motor starters



...Ultra motor starter



LUB12;LUCB12FU_image.eps

DB414480.eps

Ultra motor starters

Ultra motor starter

> All basic or advanced protection and control functions in one block and more...

- > Overload indication and alarm
- > Status report, remote control via communication bus



Ultra motor starters

can be used in
80 %
of motor protection and control applications.



Ultra motor starters

1 All in one

- Optimising space in enclosures.
- Total coordination (No contact welding on short circuit).
- Reduces installation times.

2 Simplicity of choice

- Controlled power.
- Protection functions ensured.
- Signaling functions, communication with PLC ensured.

3 Universal mounting

- On DIN rail or grid.

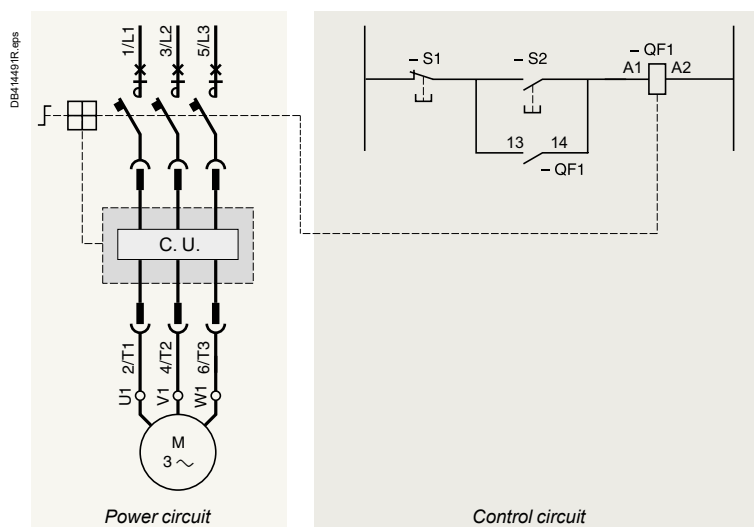
4 Conventional project design

- Conventional control scheme with start , stop push buttons.

5 Electrically simple

Basic scheme of a Ultra starter-controller

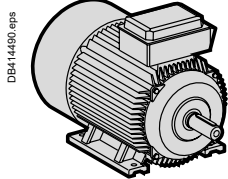
- Protection and power control functions acting on a single set of contact (QF1).
- The control unit (CU) monitors the voltage and current. In case of fault, it releases the coil, causing tripping.
- The coil is controlled by manual orders from an operator. Automatic control from a PLC is achieved with other diagrams.



TeSys Control

Ultra motor starters

Introduction



Motor up to

- 7.5 kW / 1-phase 230 V / 50-60 Hz.
- 18.5 kW / 3-phase 400-440 V / 50-60 Hz.
- 18.5 kW / 3-phase 500 V / 50-60 Hz.
- 22 kW / 3-phase 690 V / 50-60 Hz.
- Non-reversing or reversing.

Common characteristics

Short-circuit protection

- I_{sc}:
 - 50 kA at ≤ 400 V
 - 10 kA at 500 V
 - 4 kA at 690 V.
- Up to 690 V AC.

Overload protection

- From 0.15 to 38 A, 6 setting ranges (tripping 14.2 x I setting).
- Test button.
- Adjustment lock.
- Coil choice: 24 V, 48...72 V, 110...240 V DC/AC.

3 power contacts

- For non-reversing (reversing with reverser block).
- I_{max}, for 12 A power base (direct - reversing):
 - 12 A at up to 500 V / 50 Hz
 - 9 A > 500 V, up to 690 V.
- I_{max}, for 38 A power base (direct - reversing):
 - 38 A at up to 500 V / 50 Hz
 - 21 A > 500 V, up to 690 V.

1 NO contact

1 NC contact

- 5 A / max. 690 V AC or 250 V CC.

Other monitoring contacts

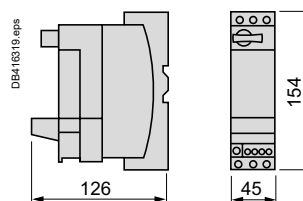
- 5 A / max. 690 V AC or 250 V DC.

Communication modules

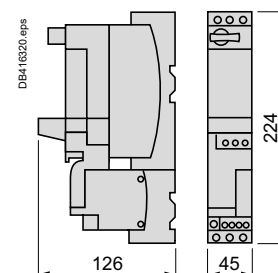
- Modbus,
- CANopen,
- Advantys stb,
- AS-interface.

Dimensions

■ Base:



■ Base + reverser block:



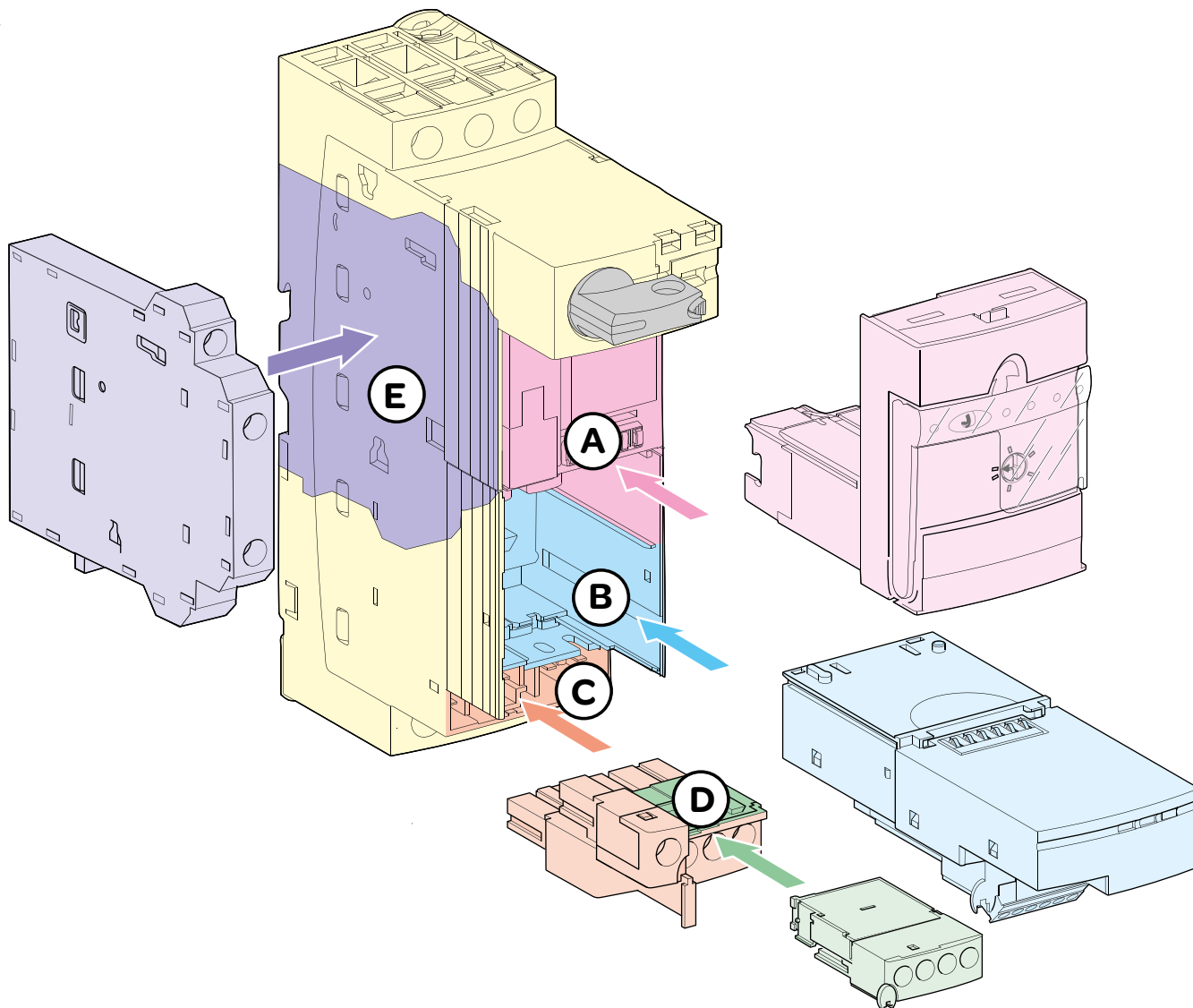
TeSys Control

Ultra motor starters

Introduction

DB-14483_eps

Ultra motor starters



The modularity principle

- Power base
- A Cavity for control unit
- B Cavity for auxiliary module
- C Cavity for control terminal block
- D Cavity for additional contact block or shutter
- E Space for additional block fastening

Power Base

This is the basic constituent of the motor starter, it is composed of the power contacts, the control coil, the opening / closing mechanism of the protection device and the control pad.

Additional lateral block

Composed of the protection device signaling contacts.

Control unit

Composed of the power base management processor and setting knobs.

Auxiliary module

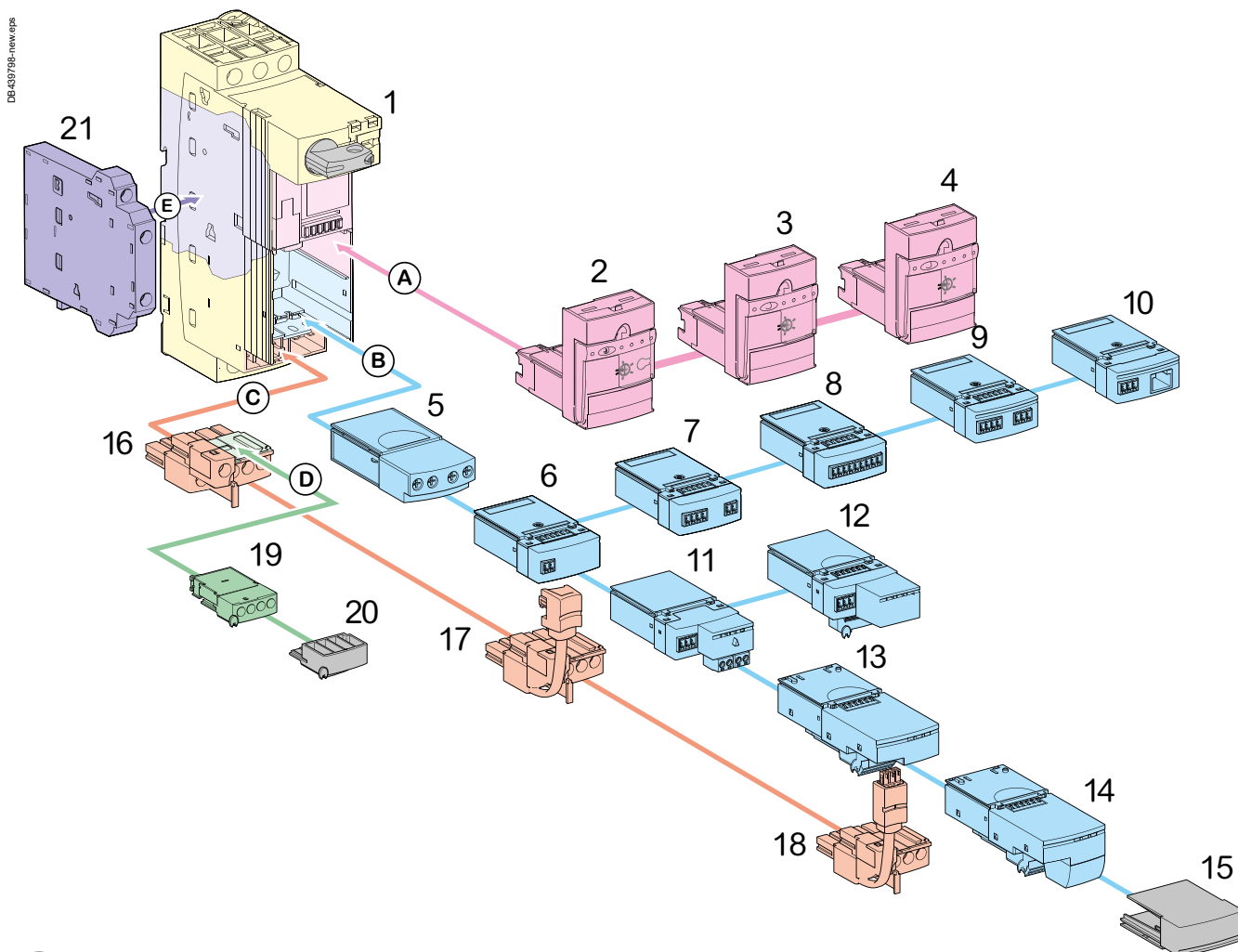
Depending on its type, it integrates load status contacts or a communication processor or an alarm processor.

Control terminal block

It is composed of two terminals "coil control", 1 NO auxiliary contact, 1 NC auxiliary contact. It can be eventually connected to an auxiliary communication module via a dedicated cable.

Additional block

It includes protection device additional signaling contacts. By default, this is a simple shutter.



Ultra motor starters

Components overview

Power base

- 1- LUB
Non reversing power base - 1 rotation direction

Control units

- 2- LUCB/LUCC/LUCD
Advanced control units
- 3- LUCA
Standard control unit
- 4- LUCL
Magnetic protection control unit

Auxiliary module

- 5- LUFN
Auxiliary contacts module

Load monitoring auxiliary modules

- 6- LUFW10
Overload alarm module
- 7- LUFDH11
Overload alarm module with manual reset
- 8- LUFDA01/LUFAD10
Overload alarm module with automatic reset/remote reset
- 9- LUFV2
Motor load indication module

Communication auxiliary modules

- 10- LUFC00
Telefast parallel liaison module, with RJ45 connector
- 11- ASILUFC5/ASILUFC51
AS-Interface c. m.
- 12- LULC033
Modbus c. m.
- 13- LULC08 CANopen c. m.
- 14- LULC15 Advantys STB c. m.

Shutters

- 15- LU9C1
Shutter for module cavity
- 20- Shutter for contacts additional block cavity

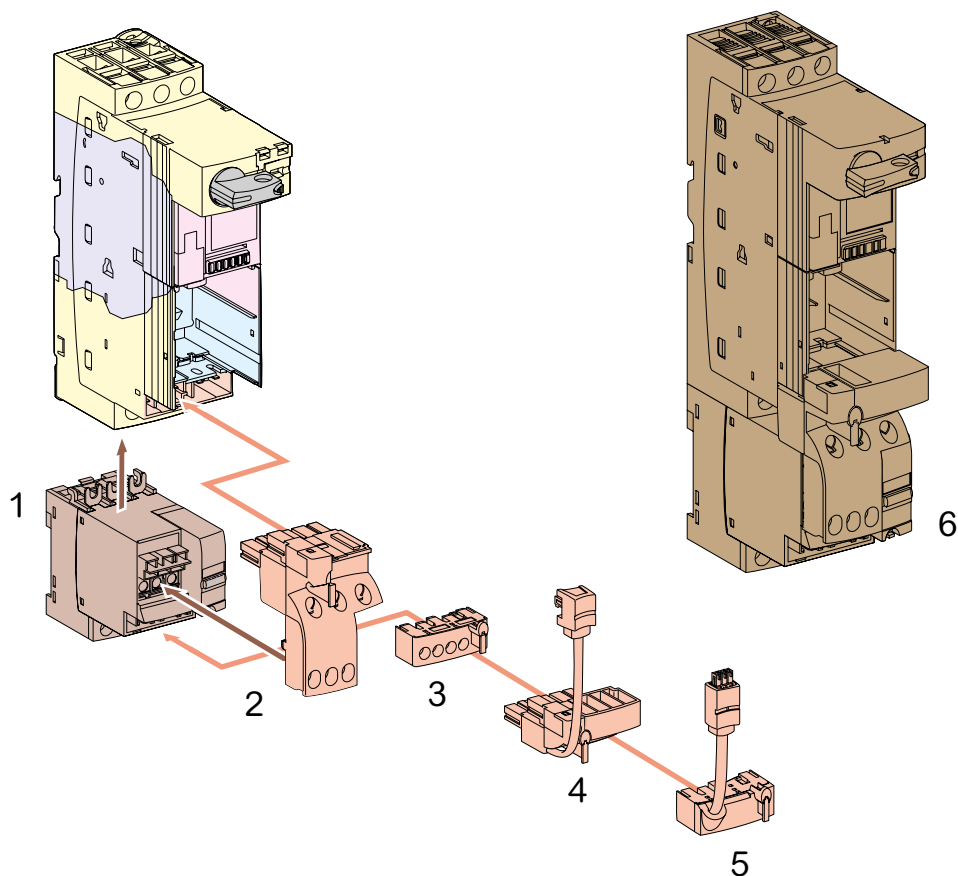
Control terminal blocks

- 16- LU9BN11
Terminal block for embedded auxiliary contacts
- 17- LU9BN11C
Coil terminal block with its connecting cable
- 18- LU9BN11L
Coil terminal block with its connecting cable

Additional contacts blocks

- 19- LUA1
Additional contacts
- 21- LUA8
side-mounting additional contacts

DB41445R.eps



Ultra
motor
starters

Additional components overview

Reverser block

- 1- LU2MB0●●
vertical-mounting reverser block

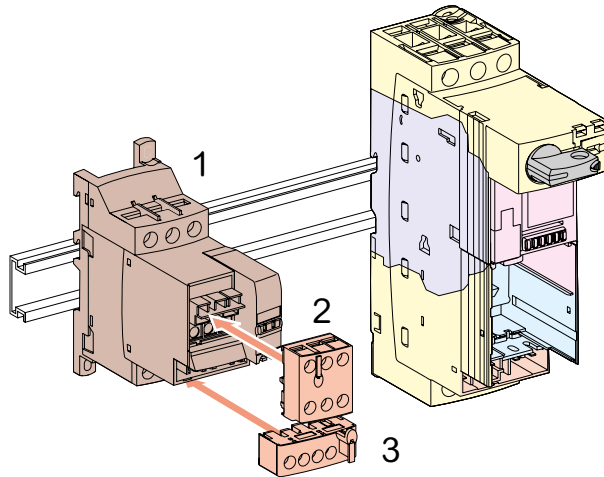
Evolving reversing power base

- 6- Pre-assembled reversing
power base LU2B12

Control terminal blocks

- 2- LU9MR1C
Base/block assembling connector, with
terminal block for embedded auxiliary
contacts
- 3- LU9M1
Coil terminal block for wired control
- 4- LU9MRC
Coil terminal block with its connecting
cable for communicating control (only
compatible with a selection of com.
modules).
- 5- LU9MRL
Coil terminal block with its connecting
cable for communicating control (only
compatible with a selection of com.
modules).

DB414497 eps



Ultra
motor
starters

Additional components overview

Reverser block

- 1- LU6MB0●●
Side-mounting reverser block

Terminal blocks for electrical remote control

- 2- LU9MR1
Terminal block for 2 direction control (pulse or maintained control)
- 3- LU9M1
Terminal block for power base coil interlocking.
With direction of rotation monitoring contacts

TeSys Control

Ultra motor starters

Quick Selection Guide: 1-way Starter



Characteristics:
p. A4/42 to A4/44,
A4/52

Curves:
p. A4/54 to A4/57

Dimensions:
p. A4/58 to A4/59

Schemes:
p. A4/60 to A4/68

The TeSys Ultra motor starter is integrated, making it simple to choose and install. It consists of a control unit snapped in a power base. TeSys Ultra can be configured to fit specific applications as well. Optional accessories include a reverser, a current limiter, predictive maintenance options, and communication options. For detailed information about TeSys Ultra, visit our website.



Ultra motor starters



Power Base LUB12



Power Base LUB120



Control Unit

Selecting TeSys™ Ultra Motor Starters in Three Steps

Step 1. Select Power Base (Three different bases up to 38 A)

Control Connection	Max. Current (A)	Maximum Horsepower Ratings						Self-Protected Starter Base
		Three-Phase				Single-Phase		Catalog Number
		200 V	230 V	460 V	575 V	115 V	230 V	
With non-removable screw terminations	12	3	3	7.5	10	0.5	2	LUB12
	32	10	10	20	25	2	5	LUB32
	38	10	10	25	30	-	-	LUB38
Without screw terminations	12	3	3	7.5	10	0.5	2	LUB120 ⁽¹⁾
	32	10	10	20	25	2	5	LUB320 ⁽¹⁾
	38	10	10	25	30	-	-	LUB380 ⁽¹⁾

Step 2. Select Control Unit⁽²⁾

Setting Range (A)	Standard 3-phase Magnetic only ⁽³⁾	Standard 3-phase Class 10 trip ⁽³⁾	Advanced 3-phase Class 10 trip ⁽³⁾	Advanced single-phase Class 10 trip ⁽³⁾	Advanced 3-phase Class 20 trip ⁽³⁾
0.15...0.6	LUCLX6●●	LUCAX6●●	LUCBX6●●	LUCX6●●	LUCDX6●●
0.3...1.4	LUCL1X●●	LUCA1X●●	LUCB1X●●	LUCX1X●●	LUCD1X●●
1.25...5.0	LUCL05●●	LUCA05●●	LUCB05●●	LUCX05●●	LUCD05●●
3...12	LUCL12●●	LUCA12●●	LUCB12●●	LUCX12●●	LUCD12●●
4.5...18	LUCL18●●	LUCA18●●	LUCB18●●	LUCX18●●	LUCD18●●
8...32	LUCL32●●	LUCA32●●	LUCB32●●	LUCX32●●	LUCD32●●
9.5...38	LUCL38●● ⁽⁴⁾	LUCA38●●	LUCB38●●	-	LUCD38●●

Voltage Codes

Coil voltage (V)	24 ☰	24 ~	48...72 ☰ or ~	110...220 ☰ and 110...240 ~
Code	BL ⁽⁵⁾	B	ES	FU

⁽¹⁾ For use with reversing modules or communication modules with prewired connector.

⁽²⁾ The control unit contains solid-state overload relay and control power source for TeSys Ultra. For more details on the different control units, their functions, and placement on the power base, see Power Base and Plug-in Accessories, page A4/12.

⁽³⁾ Complete the catalog number by adding appropriate code from Voltage Codes Table (for example, LUCAX6FU).

⁽⁴⁾ With BL or FU code only.

⁽⁵⁾ DC voltage with range of 0.90 to 1.10 of nominal.

TeSys Control

Ultra motor starters

Quick Selection Guide: 1-way Starter




Characteristics:
p. A4/42 to A4/44,
A4/52

Curves:
p. A4/54 to A4/57

Dimensions:
p. A4/58 to A4/59

Schemes:
p. A4/60 to A4/68

Step 3. Select Auxiliary Contacts (optional)

	Terminals	Contact Indicates	Contact Normal Status	Contact State for Each Mode ⁽¹⁾						Catalog Number
				Off	Ready	Run	Short Circuit Trip	Overload Trip (Manual Reset)	Overload Trip (Remote/Auto Reset) ⁽²⁾	
Auxiliary Contact Blocks										
 Auxiliary Contact	Screw	Ready condition	N.O.	O	I	I	O	O	I	LUA1C11
		Fault condition	N.C.	I	I	I	O	O	I	LUA1C20
		Ready condition	N.O.	O	I	I	O	O	I	LUA1C20
		Fault condition	N.O.	O	O	O	I	I	O	LUA1C20
Auxiliary Contact Function Modules										
Screw	Pole state	2 N.O.		O	O	I	O	O		LUFN20
		1 N.O. and 1 N.C.		O	I	I	O	O	I	LUFN11
		2 N.C.		I	I	O	I	I		LUFN02

Accessories

Accessory	Quick Description	For details & selection, see:
Current limiter	Increases the breaking capacity to 130 kA to 460 V and to 65 kA to 575 V	page A4/14
Reverser	Stacked or side mounted (LU6MB0●●● only)	page A4/13
Phase barrier	Required for use as a self-protected combination starter (UL 508 Type E)	page A4/32
Function modules	Fault differentiation, thermal overload, motor load indication	page A4/14 and A4/18
Communication modules	Integrates into existing networks, major protocols are available	page A4/19
Soft starter + TeSys Ultra	Use Altistart U01soft starter with TeSys Ultra	page A4/35
Powerbus	Use TeSys Ultra with a prewired system	page B2/2
Configuration and connection accessories	SoMove software, bus bar, external handle	page A4/31

(1) I indicates closed contact; O indicates open contact.

(2) Requires advanced control unit plus fault differentiation module LUFDA10.

Ultra
motor
starters



Characteristics:
p. A4/45 to A4/47,
A4/53

Curves:
p. A4/54 to A4/56

Schemes:
p. A4/60 to A4/68

Control Units and Functions



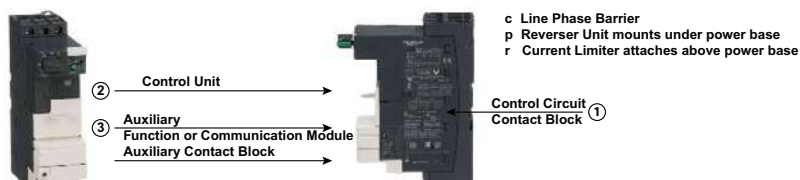
Reference	LUCA	LUCB	LUCC
Protection type			
Class 10			
Class 20			
Class 5–30			
Single Phase: LUCC Class 10 only			
Protection functions			
Short circuit			
Over current			
Thermal overload			
Phase loss			
Phase imbalance			
Ground fault			
Underload, long start, jam			
Control functions			
Manual reset			
Automatic or local/remote reset			
Fault differentiation			
Thermal alarm			
Motor load display			
Fault history			
Alarm threshold adjustment			
Tripping test			

= built-in the control unit

= works with the related function modules (see pages A4/14 and A4/18)

Power Base and Plug-in Accessories

See below where to install accessories on the power base. Only one accessory can be installed in each location.



TeSys Control

Ultra motor starters

Quick Selection Guide: 2-way Starter



Characteristics:
p. A4/42 to A4/44,
A4/52

Curves:
p. A4/54 to A4/57

Dimensions:
p. A4/58 to A4/59

Schemes:
p. A4/60 to A4/68



Phase Barrier



Reverser Unit Assembled
under the Power Base

TeSys™ Reversing Starters

Power Base with Reversing Unit assembled under the base

Control Connection	Max. Current (A)	Maximum Horsepower Ratings						Self-Protected Starter Base
		Three-Phase				Single-Phase		Catalog Number
		200 V	230 V	460 V	575 V	115 V	230 V	
With screw terminations	12	3	3	7.5	10	1.5	2	LU2B12 ⁽¹⁾
	32	10	10	20	25	2	5	LU2B32 ⁽¹⁾
	38	10	10	25	30	-	-	LU2B38 ⁽¹⁾

Select Control Unit Options^{(2) (3)}

Setting Range (A)	Standard Three-Phase Class 10 trip ⁽⁴⁾	Advanced Three-phase Class 10 trip ⁽⁴⁾	Advanced single-phase Class 10 trip ⁽⁴⁾	Advanced Three-phase Class 20 trip ⁽⁴⁾
0.15...0.6	LUCAX6●●	LUCBX6●●	LUCX6●●	LUCDX6●●
0.3...1.4	LUCA1X●●	LUCB1X●●	LUC1X●●	LUCD1X●●
1.25...5.0	LUCA05●●	LUCB05●●	LUC05●●	LUCD05●●
3...12	LUCA12●●	LUCB12●●	LUC12●●	LUCD12●●
4.5...18	LUCA18●●	LUCB18●●	LUC18●●	LUCD18●●
8...32	LUCA32●●	LUCB32●●	LUC32●●	LUCD32●●
9.5...38	LUCA38●●	LUCB38●●	-	LUCD38●●

Voltage Codes

Volts (V)	24	110...240
DC	BL ^{(5) (6)}	-
AC	B	-
DC or AC	-	FU

Reversing Modules for Field Addition

Mounting	Catalog No.	Wiring Adapter
Beneath	LU2MB0	LU9MR1C
Beside	LU6MB0	LU9MR1

Note: For LU2MB0 and LU6MB0, voltage code required; must match control unit.

(1) Voltage code required.

(2) The control unit contains solid-state overload relay and control power source for TeSys Ultra. For more details on the different control units, their functions, and placement on the power base, see Control Units and Functions, page A4/12.

(3) Control units for 4.5...18 and 8...32 can be used only with 32 A rated power bases (LUB32, LUB320, and LU2B32).

(4) Complete the catalog number by adding the appropriate code from (for example LUCAX6FU).

(5) DC voltage with range of 0.90 to 1.10 of nominal.

(6) Voltage code to use for a power base with a communication module.

TeSys Control

Ultra motor starters

Quick Selection Guide: 2-way Starter



Characteristics:
p. A4/48 to A4/52

Schemes:
p. A4/60 to A4/61

TeSys™ Ultra Accessories

Current Limiter ^{(1) (2)}

Accessory	Application	Technical Data	Mounting	Cat. No.
Current limiter/ isolator	Additional current limiting aspects for the starter	130 kA at 460 V 65 kA at 575 V	Direct mounting to LUB● and LU2B●	LUALB1
Limiter cartridge	Replacement cartridge for LUALB1	130 kA at 460 V 65 kA at 575 V	–	LUALF1

Function Modules ^{(1) (3)}

Module	Description	For use with:	Operation Requirements	Cat. No.
Fault differentiation: with manual reset (thermal overload) with auto reset	Provides indication between an overload trip and a short circuit trip.	Advanced control units only	24–250 V AC/V DC (power from control unit)	LUFDA10
Thermal overload pre-alarm	Signals when the motor current reaches 1.05 of the full load setting on the control unit.	Advanced control units only	24–250 V AC/V DC (power from control unit)	LUFW10
Motor load indication	Provides a signal proportional to the average currents in the three phases divided by the full load current setting of the control unit. The output corresponds to a load status of 0–2 times the full load setting of the control unit.	Advanced control units	4–20 mA (requires separate 24 V DC power supply)	LUFV2
Parallel wiring	Provides a convenient way to reduce control wiring and allow for connecting starters to a communications network by providing 24 Vdc for the starters.	Advanced control units (24 V DC only) and LU9BN11C or LU9MRC prewired connector	LU9G02 splitter box and PLC network	LUFC00

- (1) See page A4/12 for placement on the power base.
 (2) Increases the breaking capacity of the motor starter.
 (3) Offers customization for specific application requirements.



Alarm Differentiation



Motor Load Indicator



Parallel Wiring

Ultra
motor
starters

TeSys Control

Ultra motor starters - Power bases

Product references



Characteristics:
p. A4/42 to A4/44,
A4/52

Curves:
p. A4/54 to A4/57

Dimensions:
p. A4/58 to A4/59

Schemes:
p. A4/60 to A4/68



PB123871.eps

1 direction:
LUB12, LUB32, LUB38



PB123872.eps

1 direction:
LUB120, LUB320, LUB380
*LU9BN11: Terminal block
for embedded auxiliary
contacts to be ordered
separately.



PB123865.01

2 direction:
LU2B12●●, LU2B32●●,
LU2B38●●



PB123865.eps

LU9MR1C



PB123860.eps

LU2MB0●●



PB123861.eps

LU6MB0●●



PB123864.eps

LU9M1



PB123865.eps

LU9MR1

Power bases (in kW)

Ultra starters are composed with separate elements: power component + control units + auxiliary components.

The power base includes the electro mechanical parts. It is selected according to:

- Motor power to be handled
- Number of direction of rotation to be controlled: 1 or 2
- Type of control to be achieved: Basic or Advanced.

Basic control

- 1- direction rotation control
- 2 - direction rotation control
- Overload + Short circuit protection
- Main power monitoring
- Status signaling contacts

Advanced control

- Functions of basic control
- + Digital display of electrical values
- + Overload alarms
- + Network/bus communication

Function	Max motor standard power (400 V) kW	Lip_in (400 V) A	References	
			Basic ctrl	Advanced ctrl
1-direction rotation	5.5	12	LUB12	LUB120
	15	32	LUB32	LUB320
2-direction rotation	18.5	38	LUB38	LUB380
	5.5	12	LU2B12●● ⁽¹⁾	LUB120 + reverser block ass.
	15	32	LU2B32●● ⁽¹⁾	LUB320 + reverser block ass.
	18.5	38	LU2B38●● ⁽¹⁾⁽²⁾	LUB380 + reverser block ass.

(1) Replace the 2 dots by the coil voltage code below – AC is 50-60 Hz.

(2) With BL or FU code only.

Coil voltage (V)	24 ---	24 ~	48...72 --- or ~	110...220 --- and 110...240 ~
Code	BL	B	ES	FU

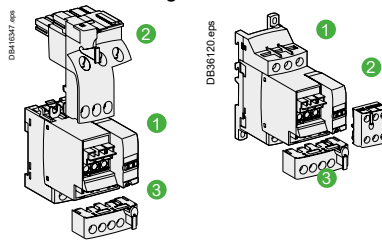
Please check the availability of your variant in the index page A4/40. The SEARCH function of your viewer can be used.

Reverser blocks - assemblies

A reverser block assembly has to be added to the power base (LUB120 to 380) to build an 'Advanced control' with '2-direction of rotation' Ultra starter.

Reverser blocks with 2 mounting possibilities:

- vertical mounting – mounted aspect: refer to LU2B12, 32, 38
- side mounting, on a Din rail.



Vertical mounting Side mounting

Blocks	References	
	Vertical mounting	Side mounting
1 Reverser block	LU2MB0●● ⁽¹⁾	LU6MB0●● ⁽¹⁾
2 Aux. contacts connector	LU9MR1C	LU9MR1
3 Coil supply connector	LU9M1	LU9M1

(1) Replace the 2 dots by the coil voltage code below – AC is 50-60 Hz.

Coil voltage (V)	24 ---	24 ~	48...72 --- or ~	110...220 --- and 110...240 ~
Code	BL	B	ES	FU

Main technical characteristics

Power bases

1-direction power base overall dimensions (HxWxD) : 154 x 45 x 126 mm
2-direction power base (assembly with vertical mounting reverser block) overall dimensions (HxWxD): 224 x 45 x 126 mm
Power bases are delivered with protective blanking plates.

3 power poles, for connections of a 1-phase or 3-phase motor
Screw clamp power terminals, for up to 2 x 6 mm² conductors
Screw clamp control terminals, for up to 2 x 1.5 mm² conductors

LUB12,32,38 embedded terminals:

- coil supply,
- NO (13-14) contact (for control push button)
- NC (21-22) contact (for control push button).

Additional signaling contact modules provide more possibilities.

Reversing assemblies

LU2MB0, LU6MB0:

3 power poles, for connections of a 1-phase or 3-phase motor, screw clamp power terminals, for up to 2 x 6 mm² conductors
LU9 connectors: screw clamp control terminals, for up to 2 x 1.5 mm² conductors

LU2MB0●●, LU6MB0●● provide terminals for power circuits.
LU9MR1C, LU9MR1 provide signalling contact terminals (82-81-84) that indicate the direction of rotation.
LU9M1 provides coil supply terminals (A2-A1-A3) and 2 NO contact terminals (A1-B1, A3-B3) for direction control.

TeSys Control

Ultra motor starters - Control units

Product references



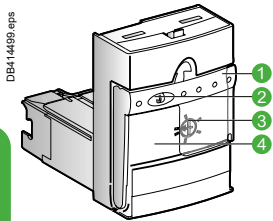
Characteristics:
p. A4/45 to A4/47,
A4/53

Curves:
p. A4/54 to A4/56

Schemes:
p. A4/58



LUCA, LUCB, LUCC, LUCL,
LUCL series.
Ex.: LUCA05BL



LUCA●●●●

- 1 Extraction and locking handle.
- 2 Sealing of locking handle.
- 3 Ir adjustment dial.
- 4 Locking of settings by sealing the transparent cover.

Ultra starters are composed with separate elements: power component + control units + auxiliary modules. The control unit includes electronic components and the current adjustment dial. The control unit is selected according to:

- Motor power to be handled.
- Type of protection: thermal+magnetic or magnetic only.

Control units for power bases with basic control

LUCA - thermal + magnetic (standard) units

- Protection against overload: $14.2 \times I_r$ (setting current).
- Protection against short circuit: $13 \times I_r$ max (max setting current).
- Protection against missing or unbalanced phases.
- Protection against insulation fault (protection of equipment only).
- Class 10 tripping.
- Frequency 50...60 Hz.

LUCL - magnetic units

- Protection against short circuits.
- To be used when a standard power base is connected to a motor drive or a soft starter, as they provide the overload protection.

Note: both **LUCA** and **LUCL** units can be used in the advanced power bases **LUB120** and **LUB320**.

Maximum standardized power ratings of 3 phases motors 50/60 Hz

400/440 V			500 V	690 V	Setting range	Lip_in mounting on the power base - Rating	Control unit product reference ⁽¹⁾	
kW	kW	kW			A	A	Thermal + magnetic	Magnetic
							LUCA	LUCL
0.09	-	-			0.15...0,6	12 and 32	LUCA6●●	LUCLX6●●
0.25	-	-			0.35...1,4	12 and 32	LUCA1X●●	LUCL1X●●
1.5	2.2	3			1.25...5	12 and 32	LUCA05●●	LUCL05●●
5.5	5.5	9			3...12	12 and 32	LUCA12●●	LUCL12●●
7.5	9	15			4.5...18	32	LUCA18●●	LUCL18●●
15	15	18.5			8...32	32	LUCA32●●	LUCL32●●
18.5	18.5	22			9.5...38	38	LUCA38●● ⁽²⁾	LUCL38●● ⁽²⁾

⁽¹⁾ Replace the 2 dots by the coil voltage code below – AC is 50-60 Hz.

⁽²⁾ With **BL** or **FU** code only.

Coil voltage (V)	24 ∴	24 ∼	48...72 ∴ or ∼	110...220 ∴ and 110...240 ∼
Code	BL	B	ES	FU

Please check the availability of your variant in the index page A4/40. The SEARCH function of your viewer can be used.

TeSys Control

Ultra motor starters - Control units

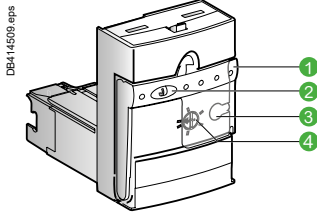
Product references



Characteristics:
p. A4/45

Curves:
p. A4/54 to A4/56

Schemes:
p. A4/68



LUCB●●●●, LUCC●●●●, LUCD●●●● control units

- 1 Extraction and locking.
- 2 Handle sealing of locking.
- 3 Handle
- 4 Ir adjustment dial test push button.

Control units for power bases with advanced control

LUCB, LUCC, LUCD control and diagnostic units

Motor protection, fault diagnostic.

Protection against

- overload: 14.2 x I_r (setting current).

Simulation of an overload by depressing the test push button.

- short circuit: 13 x I_r max (max setting current).

- missing or unbalanced phases.

Overload alarm management:

- locally: with one of the LUF family module

- Remotely: with LULC031, LULC033, LULC07, LULC08, LULC09 or LULC15 (thermal alarm only) communication module.

Reset:

- manual

- automatic, with a communication module

Maximum standardized power ratings of 3 phases motors 50/60 Hz					Lip_in mounting on the power base - Rating	Protection type: - overload - short-circuit - Main power fault - alarm		
400/440 V	500 V	600 V	Setting range	Rating				
kW	kW	kW	A	A	Class 10	Class 10	Class 20	
1P	3P	3P	3P			1P	3P	
-	0.09	-	-	0.15...0.6	12 and 32	LUCBX6●●	LUCCX6●●	LUCDX6●●
0.09	0.25	-	-	0.35...1.4	12 and 32	LUCB1X●●	LUCC1X●●	LUCD1X●●
0.55	1.5	2.2	3	1.25...5	12 and 32	LUCB05●●	LUCC05●●	LUCD05●●
2.2	5.5	5.5	9	3...12	12 and 32	LUCB12●●	LUCC12●●	LUCD12●●
4	7.5	9	15	4.5...18	32	LUCB18●●	LUCC18●●	LUCD18●●
7.5	15	15	18.5	8...32	32	LUCB32●●	LUCC32●●	LUCD32●●
-	18.5	18.5	22	9.5...38	38	LUCB38●● ⁽¹⁾		LUCD38●● ⁽¹⁾

Cial. ref. of the control unit: replace dots by the coil code.

Please check the availability of your variant in the index page A4/40. The SEARCH function of your viewer can be used.

Coil voltage (V)	24 ~	24 ~	48...72 ~ and 48 ~	110...220 ~ and 110...240 ~
Coil code	BL	B	ES	FU

(1) With BL or FU code only.



LUCB32BL

Ultra motor starters

TeSys Control

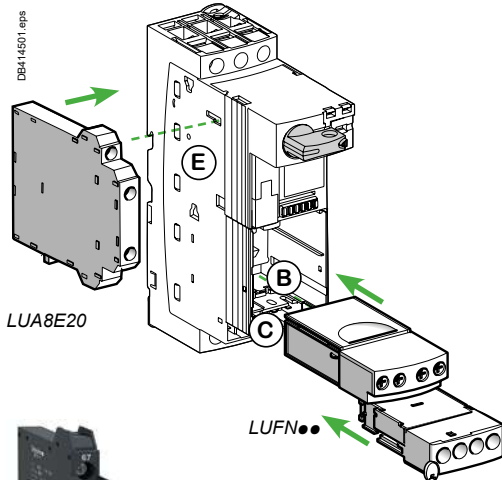
Ultra motor starters - Signaling Modules/Blocks - Function modules

Product references



Characteristics:
p. A4/48 to A4/52

Schemes:
p. A4/60 to A4/61



LUA8E20

LUFN●●
LUA1C●●

Signaling module and blocks

They provide dry contacts of Normally Open (NO) or Normally Closed (NC) type for signaling purpose. The monitored status can be either the motor running status or the protection device status, depending on the commercial reference of the module or block.

Common electrical characteristics

Standard operating voltage: 24...250 V AC/DC.
Maximum current: 5 A.

Compatibility - Positioning

The signaling module and blocks can be use in any power base
LUA8E20 is clipped on the E side of the power base
LUFN11, LUFN02, LUFN02 inserted into B cavity
LUA1C20, LUA1C11 inserted into C cavity

Note: B and C cavities may be already used for reverser-starter, communication.

Signaling module and blocks	Output	References
Module Motor running status: ON / OFF	1 NO + 1 NC	LUFN11
	2 NC	LUFN02
	2 NO	LUFN20
Block Protection status: OPEN / CLOSED (OF) STANDBY / TRIPPED (SD)	2 NO	LUA1C20
	1 NO + 1 NC	LUA1C11
Side block Protection status: OPEN / CLOSED (OF)	2 NO	LUA8E20

Ultra motor starters



LUA8E20



LUFN02



LUA1C20



LUFV2



LUFW10



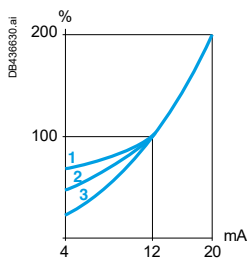
LUFDH11



LUFDA01



LUFDA10



- 1 2.2 kW
- 2 4 kW
- 3 7.5 kW

LUFV2 typical response curve

Function modules

They provide analog output or dry contacts of Normally Open (NO) or Normally Closed (NC) type for measurement or signaling purpose.

Common electrical characteristics

Standard operating voltage: 24...250 V AC/DC.
Maximum current: 5 A.

Compatibility - Positioning

The function modules can only be used in a LUB120, LUB320 or LUB380 power base, in cavity B.

Function modules	Output type	References
Electrical value: average current in each phase. The signal is the image of the pourcentage of In. External 24 V DC power supply needed	Analog: 4-20 mA	LUFV2
Contact closes if average current in the phases = 105 % of In	1 NO	LUFW10
Contacts change state if tripping is caused by overload	1 NO + 1 NC	LUFDH11
Contact opens if overload tripping is reset with control pad or remotely	1 NC	LUFDA01
Contact closes if overload tripping is reset with control pad or remotely	1 NO	LUFDA10

TeSys Control

Ultra motor starters - Communication modules

Product references



Description:
p. A4/20 to A4/23,
A4/25 to A4/26

Characteristics:
p. A4/27 to A4/29,
A4/49 to A4/53

Schemes:
p. A4/61 to A4/62



LUFC00

Auxiliary parallel wiring module ⁽¹⁾

Auxiliary parallel wiring module for Modicon Telefast system

Inputs

They collect the FWD, REV controls from an automation process. An RJ45 parallel port is used, for connection to the 24 V DC outputs of a PLC.

Outputs

They give the position of the control pad and the state of the poles, They provide 24 V DC controls to the LUB120, 320 or 380 power base coil via the LU9BN11C adapter (A2, A1) or to the LU2B12, 32, 38 power base coil with a LU9MRC adapter (A2, A1, A3).

Compatibility - Positioning

The parallel wiring module can only be used in any Ultra power base, **with LUC●● control unit with coil voltage**

Compatible with:

- Modicon TM3 (map I/O controllers for RJ45 M221, M241, M25)
- Modicon STB modules (I/O for automation island)
- Modicon Telefast (interfaces RJ45/HE10).

The parallel wiring module is inserted in cavity B.

Note: the parallel wiring module must be connected to a LU9G02 or LU9G03 Telefast distribution
Note: more details on parallel wiring page A4/20.

Designation

Ultra power base parallel wiring module

References

LUFC00

Communication modules

Communication modules

These modules send the control pad position and pole state to a communicating system (PLC, monitoring system, ...)

They collect the Forward, Reverse motor controls from an automation process.

The status and controls are coded according to an industrial communication protocol, depending on the communication module.

Bus cable connection, external power supply by crew clamp terminals.

Connector for coil control (to A1-A3-A2) via a prewired connection (LU9BN● for 1-direction control, LU9MR● for 2-direction control)

Compatibility - Positioning

The communication modules can only be used in a LUB120, LUB320 or LUB380 power base, in cavity B.

Designation

Ultra Modbus communication module

Ultra AS-Interface communication module

Ultra CANopen communication module

Ultra Advantys STB communication module

References

LULC033

ASILUFC51

LULC08

LULC15

Note: more details on bus-type communication page A4/25.

Prewired connectors

They provide the necessary electrical link between a parallel or communication module and the coil supply connector, on the power base or reverser block. Thus, ON-OFF (1 direction) or FORWARD-REVERSE (2 direction) controls can be achieved.

Prewired connection

Prewired connection			References	Compatibility with modules
1 direction	Short cable	Side connection	LU9BN11C	LUFC00, LULC033, ASILUFC51
		Bottom connection	LU9BN11L	LULC08, 15
2 direction	Long cable	Side connection	LU9MRC	LUFC00, LULC033, ASILUFC51
		Bottom connection	LU9MRL	LULC08, 15



LULC033



ASILUFC51



LULC15



LU9BN11C



LU9BN11L

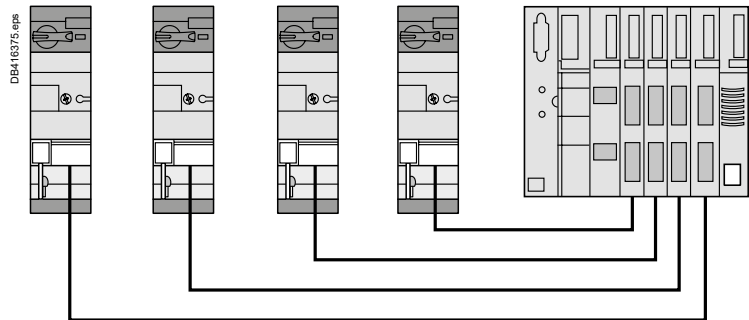


LU9MRC



LU9MRL

Point-to-point wiring

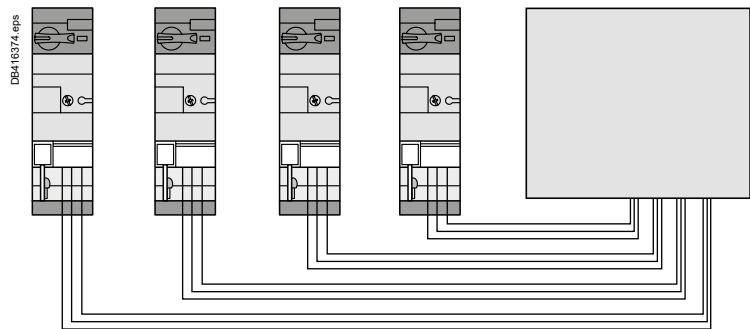


- The control inputs and signaling outputs of the starter are grouped in a single socket, usually RJ45. They are individually connected to PLC outputs and inputs.
- The wires run in parallel in a multicore cable equipped with a multipin connectors, RJ45 in the case of Telefast type system.
- 3 parallel wiring systems are available:
 - Modicon TM3, based on a RJ45 I/O module for M221, M241, M25 PLC
 - Modicon STB, based on I/O modules for automation island
 - Modicon Telefast: RJ45 / HE10 interfaces.
- Simple way of proximity wiring. Quick cabling. It is suitable for machine control panels when a large number of Ultra starter-controller are installed.

Informations

- The control and signaling terminals of the starters are connected to the output and input terminals of a PLC. No specific connectors or cables are required.
- Conventional wiring mode, without optimization of the cabling time. May be suitable when a very small number of starters is used, with a very small number of links.

Parallel cabling systems



TeSys Control

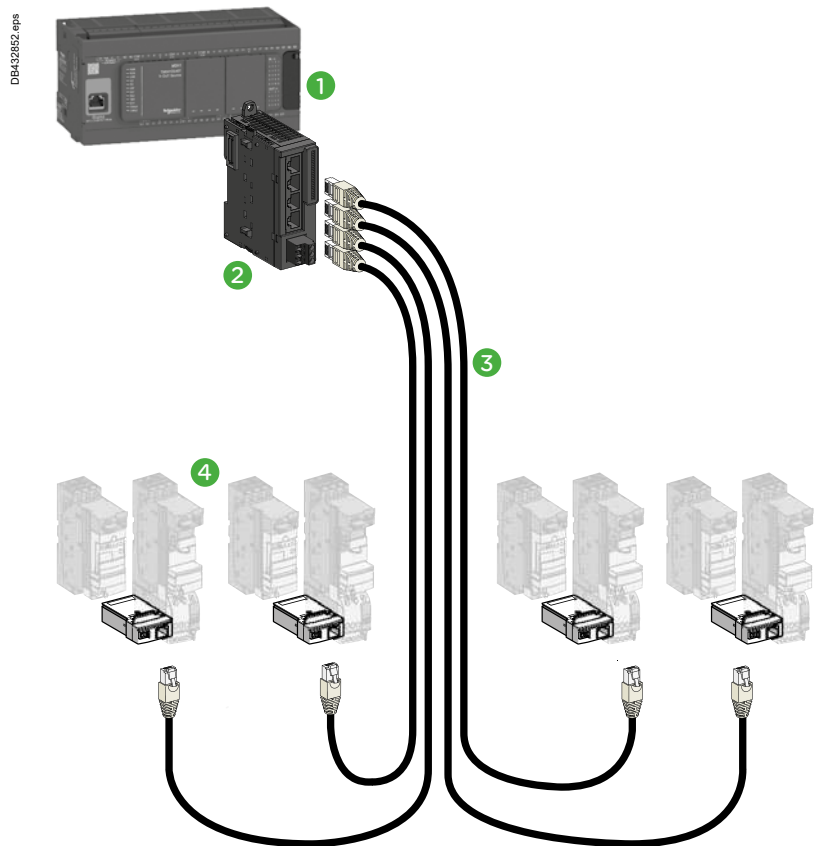
Ultra motor starters - Parallel-type cabling systems

Introduction

Integration in the Modicon TM3 wiring system

The Ultra starter-controller are directly connected to a I/O module equipped with RJ45 connectors.

- 1 Modicon M221, M241, M251 PLC's
- 2 TM3XTY I/O module for 4 starters
- 3 LU9R●● cables with RJ45 connectors,
- 4 LUFC00 module for TeSys Control parallel connection (1 or 2 direction of rotation).



Integration in the Modicon Advantys STB system

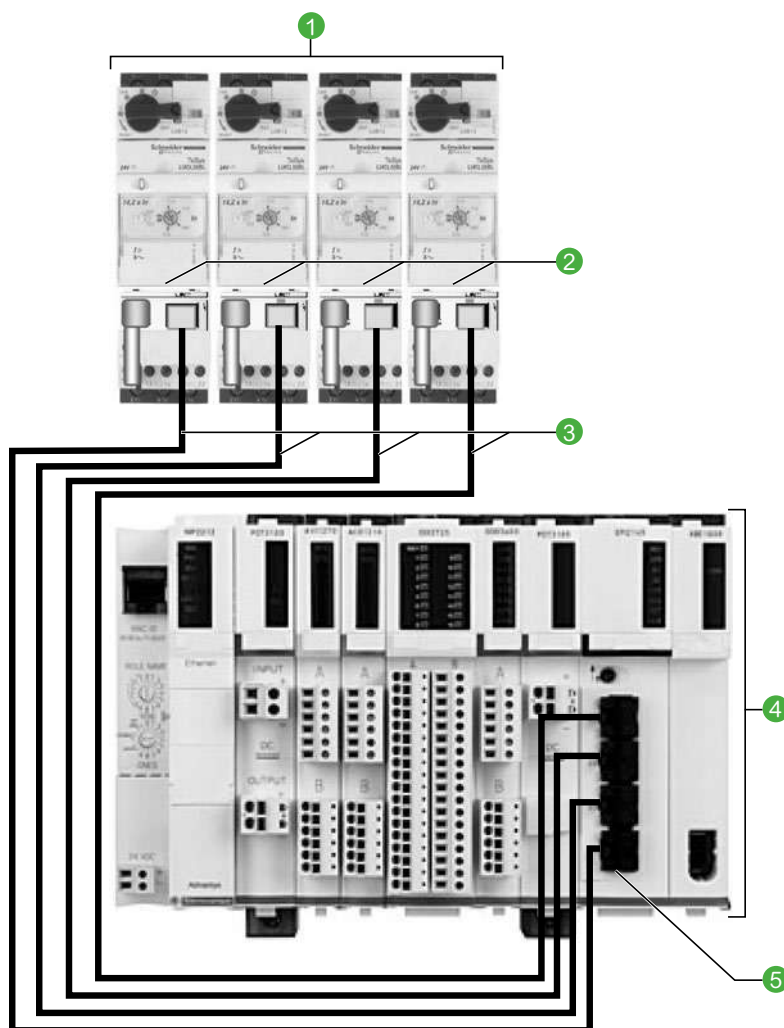
Advantys STB is a solution for remote I/O modules.

These communicate with the Modicon PLCs range thanks to a serial liaison, using the Advantys STB protocol.

In this example an Advantys I/O module is used to facilitate wiring.

Each of its four terminals receives a pre-assembled RJ45 cable connected to a Ultra starter-controller.

- 1 Ultra LUB120, 320 or 380 power base (equipped with 24 V DC LUC●●●●BL control modules)
- 2 TeSys Control module for parallel RJ45 wiring: LUFC00 + LU9BN11C (one direction) or LU9MRC (2 directions for LU2B12, 32 or 38 power base)
- 3 RJ45 cables (2 connectors):
≤ 3 m: LU9R●●
> 3 m: 490 NTW000●● (5, 12, 40 or 80 m)
- 4 PLC: Modicon range
- 5 I/O Modicon Advantys module: STBEP12145K



TeSys Control

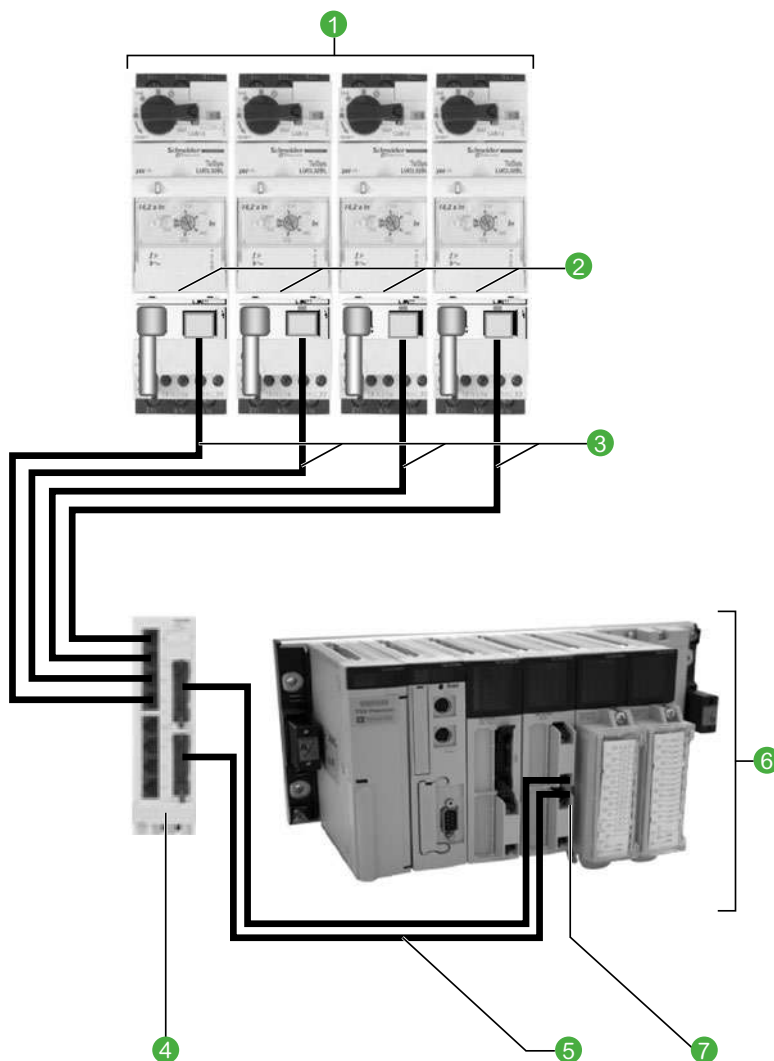
Ultra motor starters - Parallel-type cabling systems

Introduction

Integration in the Modicon Telefast system

The wiring hubb **LU9G0●** facilitates the connection to Modicon Premium PLCs. It adapts RJ45 connectors to HE10 available on the Telefast I/O modules. Connection: up to 8 Ultra per hub.

- 1 Ultra LUB120, 320 or 380 power base (equipped with 24 V DC LUC●●●●BL control units)
- 2 TeSys Control module for parallel wiring RJ45: LUFC00 + LU9BN11C (one direction) or LU9MRC (2 directions for LU2B12, 32 or 38 power base)
- 3 RJ45 cables (2 connectors):
≤ 3 m: LU9R●●
> 3 m: 490 NTW000●● (5, 12, 40 or 80 m)
- 4 Telefast RJ45 / HE10 splitter box: LU9G02 or LU9G03 (different Ultra connection capacities)
- 5 HE10 cables (2 connectors): TSXCDP●●●
- 6 PLC: Modicon Premium range
- 7 I/O module: TSXDY28FK



Ultra
motor
starters

TeSys Control

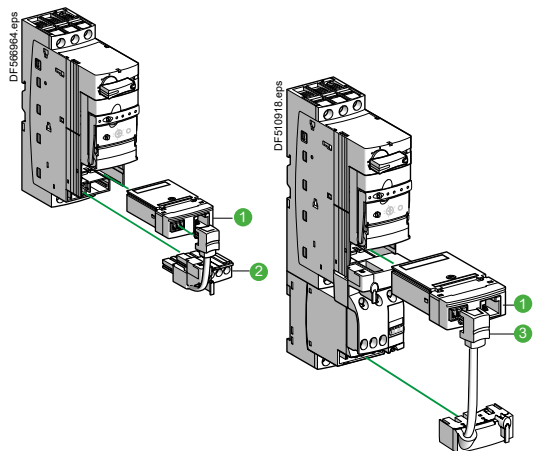
Ultra motor starters - Parallel-type cabling systems

Product references



Characteristics:
p. A4/51

Schemes:
p. A4/62 and A4/63



Components for connection of a starter - 1 direction of rotation

Designation	Reference
① Parallel connection module, RJ45 output, 2 coil control inputs ⁽¹⁾ , 3 signal outputs ⁽²⁾	LUFC00
② Pre wired connector, one direction of rotation, for LUB120, 320 or 380 power base coil connection and one contact for emergency stop	LU9BN11C

Components for connection of a starter - 2 directions of rotation

Designation	Reference
① Parallel connection module, RJ45 output, 2 coil control inputs ⁽¹⁾ , 3 signal outputs ⁽²⁾	LUFC00
③ Pre wired connector, 2 directions of rotation, for LU2B12, 32 or 38 power base coil connection and one contact for emergency stop	LU9MRC

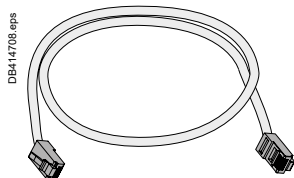
Ultra
motor
starters



LU9G02



LU9G03



RJ45 cables.

Telefast RJ45/ HE10 splitter box

Designation	Reference
Splitter box Connection to U: 4 RJ45 connectors: for 1 to 4 U, 1 or 2 directions 4 RJ45 connectors: for 1 to 4 U, 1 direction Connection to PLC: 1 x HE10 connector - 20 channels, for pole status, alarms 1 x HE10 connector - 20 channels, for control. 24 V DC auxiliary power supply required	LU9G02
Splitter box Connection to U: 8 RJ45 connectors: for 1 to 8 U, 1 or 2 directions Connection to PLC: 1 x HE10 connector - 20 channels, for pole status, alarms 1 x HE10 connector - 20 channels, for control. 24 V DC auxiliary power supply required.	LU9G03

RJ45 connection cables, with 2 RJ45 connectors

0.3 m	LU9R03
1 m	LU9R10
3 m	LU9R30

HE10 connection cables, with 2 HE10/20 way connectors

Section: AWG 22 / 0.324 mm ²	
0.5 m	TSXCDP053
1 m	TSXCDP103
2 m	TSXCDP203
3 m	TSXCDP303
5 m	TSXCDP503
Section: AWG 28 / 0.080 mm ² (flat cable)	
1 m	ABFH20H100
2 m	ABFH20H200
3 m	ABFH20H300

Cable with stripped wires (PLC side)

1 x HE10/20 ways connector (Splitter box side)

Section: AWG 22 / 0.324 mm ²	
3 m	TSXCDP301
5 m	TSXCDP501

(1) 2 coil control inputs details:

- Forward
- Reverse.

(2) 3 signal outputs details:

- 1 NC on Contactor ON
- 1 NO on Circuit Breaker ON
- 1 NC on Circuit Breaker Tripped.

TeSys Control

Ultra motor starters - Bus-type cabling systems

Introduction

PB105992.eps



> Application functionality, topology

1 Geographically expanded process

Many motors are scattered on the site, the process control requires individual control to ensure safety and proper operation. Ultra is a suitable communicating actuator. The integration of a bus communication module in the starter-controller saves space in the control board and simplifies wiring, compared to solutions based on conventional components (circuit breaker + contactor).

2 Application: automatic motor control / monitoring

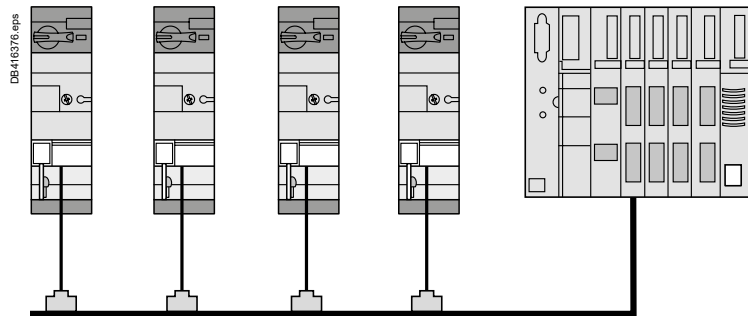
Thanks to a communication bus, starter-controllers are part of an automation system controlled by a PLC and (or) various communicating controllers. These equipment can then share the status and alarm information related to each motor control and perform specific treatments.

3 Bus-type connection

This type of connection allows different topologies (star, ring ...) and supports various protocols dialogue. It is therefore recommended for geographically expanded process, in order to to simplify wiring and ensure multiple-controller management.

Ultra motor starters

- The bus wiring interconnects Ultra starters controllers and components of the installation via a single the cable.
- Commands and status are coded according to the selected protocol and transmitted on the communication bus.
- This wiring is simple, usually a shielded (or not) pair of wires, suitable for monitored automation, regardless of the number of Ultra and their locations.



Available Ultra status and controls via a communication module

Control unit	LUCA	LUCB LUCC LUCD
Starter status (ready, running, fault)	■	■
Start and Stop commands	■	■
Thermal overload alarm		■
Remote reset via the bus		■
Indication of motor load		■
Fault signalling and differentiation		■

TeSys Control

Ultra motor starters - Bus-type cabling systems

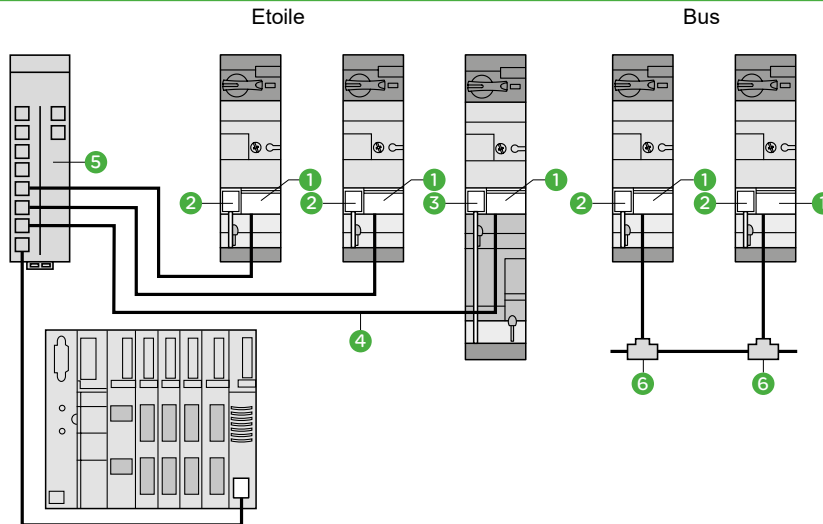
Introduction

Network

Architecture

Component references

Modbus



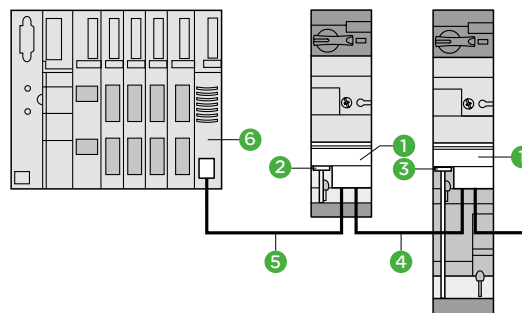
- ① LULC033
- ② LU9BN11C
- ③ LU9MRC
- ④ VW3A8306R●●●
- ⑤ LU9GC3
- ⑥ VW3A8306TF

Ultra motor starters

Details page
[A4/29](#)

Advantys STB

Starter-controllers communicate using ADVANTYS STB protocol to fit into a remote I/O architecture.



- ① LULC15
- ② LU9BN11L
- ③ LU9MRL
- ④ LU9RDD●●●
- ⑤ LU9RCD
- ⑥ STBxBE1100

Details page
[A4/30](#)

TeSys Control

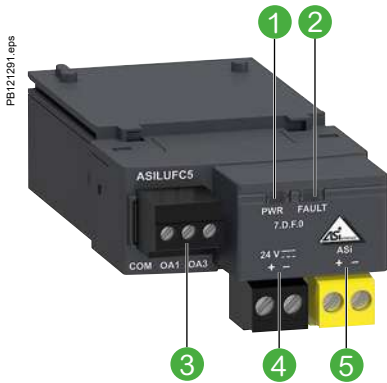
Ultra motor starters - AS-Interface communication modules

Product references



Characteristics:
p. A4/49, A4/51,
A4/53

Schemes:
p. A4/61, A4/66,
A4/68



- 1 Green LED: AS-Interface voltage present
- 2 Red LED: AS-Interface or module fault
- 3 Outputs for starter commands
- 4 Black connector for connection to 24 V auxiliary power supply
- 5 Yellow connector for connection to the AS-Interface system

The ASILUFC5 communication module, combined with the power base and control unit is used to control Ultra starters-controllers via DeviceNet bus. The LULC09 communication module is slave type.

Module Specifications

I/O terminal block

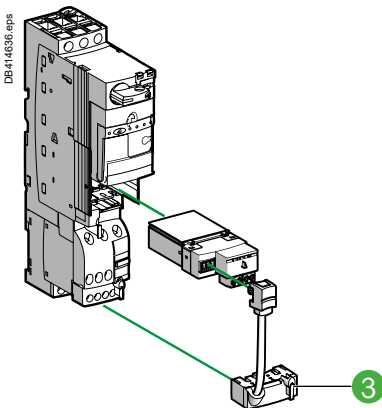
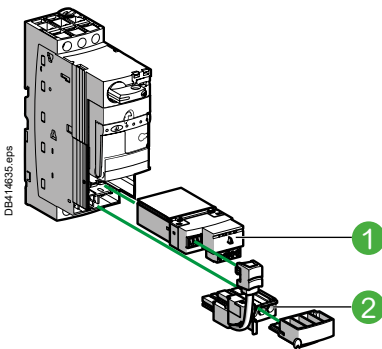
- Powered by external 24 V DC (power supply not included):
- 2 x configurable inputs for binary sensors
- 1 x 24 V DC output - 0.5 A local auxiliary command.

Connectors

- For Ultra 24 V DC coil (common, direction 1, direction 2).
- For AS-Interface bus.

Signaling

- Module Status - Error - 24 V, by LED.



TeSys Control components

Description	Mark	Max number of slaves	References
AS-Interface communication module	1	62	ASILUFC51
Pre-wired connector: coil - LUB power base	2	-	LU9BN11C
Pre-wired connector: coil - LU2B power base	3	-	LU9MRC

Ultra motor starters

TeSys Control

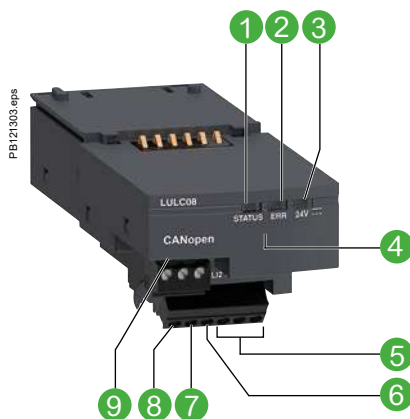
Ultra motor starters - CANopen communication module

Product references



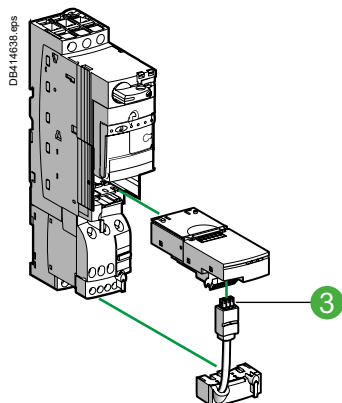
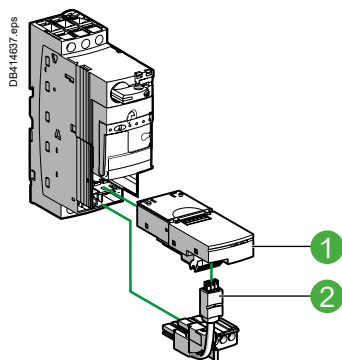
Characteristics:
p. A4/50, A4/51,
A4/53

Schemes:
p. A4/64



- 1 LED indicating module status
- 2 Fault signalling LED
- 3 LED indicating $\overline{24V}$ supply ON for outputs OA1, OA3 and LO1
- 4 SUB-D connector for bus link
- 5 $\overline{24V}$ supply connection
- 6 Discrete input
- 7 Discrete input
- 8 Discrete output
- 9 Outputs for starter commands

Ultra
motor
starters



The LULC08 communication module, combined with the power base and control unit is used to control Ultra starters-controllers via CANopen bus. The LULC08 communication module is slave type.

Module Specifications

I/O terminal block

- Powered by external 24 V DC (power supply not included):
- 2 x configurable inputs for binary sensors
- 1 x 24 V DC output - 0.5 A local auxiliary command.

Connectors

- For Ultra 24 V DC coil (common, direction 1, direction 2).
- For CANopen bus.

Signaling

- Module Status - Error - 24 V, by LED.

Tesys Control components

Description	Item	References
CANopen communication module	1	LULC08
Pre-wired connector: coil - LUB power base	2	LU9BN11L
Pre-wired connector: coil - LU2B power base	3	LU9MRL

Compatibility of CANopen communication module with control units

LUCA ●●BL / B ●●BL / C ●●BL / D ●●BL

All versions marketed after 2T0481 ⁽¹⁾

(1) This "date code" is made up as follows:

2T or 2C: factory code.

04, 05, 06 and so on: year of manufacture.

08: week.

1: 1st day of the week.

How to get information on the design of a CANopen architecture and the choice of network accessories

Consult the library of downloadable documents on schneider-electric.com by searching on the name of the communication protocol.

TeSys Control

Ultra motor starters - Modbus communication module

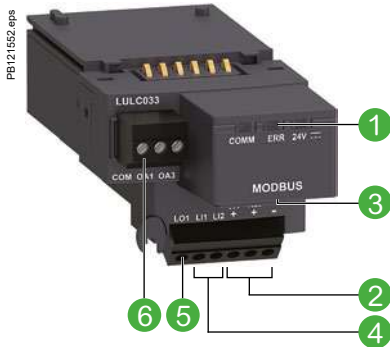
Product references



Characteristics:
p. A4/49, A4/51,
A4/53

Schemes:
p. A4/63 to A4/67

LULC033



- 1 Module status signalling LED
- 2 24 V supply connection
- 3 RJ45 connector for RS485 Modbus link
- 4 2 discrete inputs
- 5 1 discrete output
- 6 Outputs for starter commands

LULC033 communication module, combined with the power base and control unit is used to control Ultra starters-controllers via Modbus.

Module Specifications

I/O terminal block

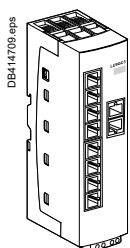
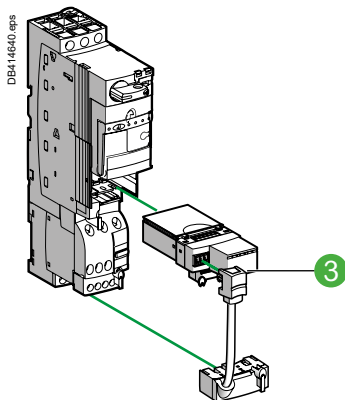
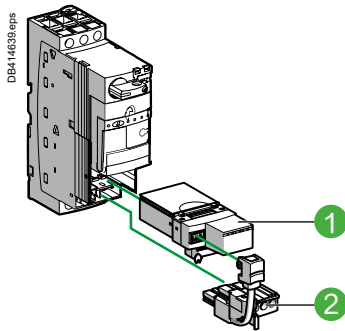
- Powered by external 24 V DC (power supply not included):
- 2 x configurable inputs for binary sensors (on LULC033 only)
- 1 x 24 V DC output - 0.5 A local auxiliary command.

Connectors

- For Ultra 24 V DC coil (common, direction 1, direction 2).
- RJ45, For Modbus line.

Signaling

- Module Status - Error - 24 V, by LED.



TeSys Control components

Description	Item	Bin. input	References
Modbus communication module	1	2	LULC033
Pre-wired connector: coil - LUB power base	2	-	LU9BN11C
Pre-wired connector: coil - LU2B power base	3	-	LU9MRC

Modbus hub

Description	Length (m)	References
Modbus communication distributor	-	LU9GC3
Cables fitted with 2 x RJ45 connectors	0.3	VW3A8306R03
	1	VW3A8306R10
	3	VW3A8306R30
Tees derivations	0.3	VW3A8306TF03
	1	VW3A8306TF10

Description	References
RS 485 line terminator	VW3A8306R

Compatibility of Modbus communication modules

Communication modules (software version)		LULC033 from V2.1	LULC033 from V2.2
Power base	LUB●● / LU2B●2	■	■
Control unit	LUCA●●BL		■
	LUCB●●BL		■
	LUCC●●BL		■
	LUCD●●BL		■

How to get information on the design of a Modbus architecture and the choice of network accessories

Consult the library of downloadable documents on schneider-electric.com by searching on the name of the communication protocol.

TeSys Control

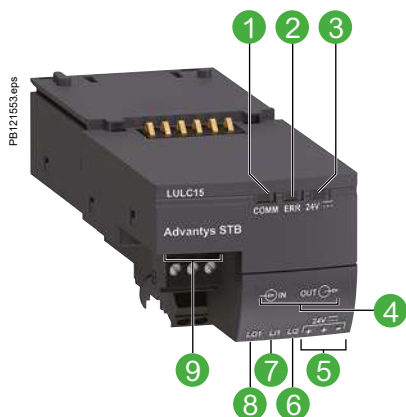
Ultra motor starters - Advantys STB communication module

Product references



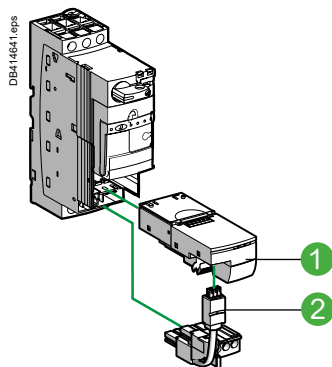
Characteristics:
p. A4/50, A4/51,
A4/53

Schemes:
p. A4/62

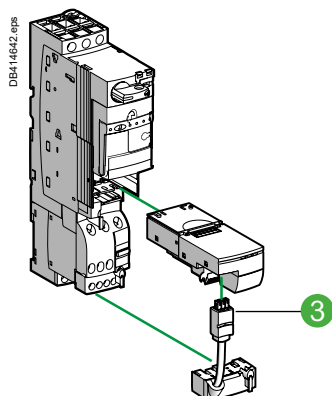


- ① Two-colour LED indicating module status
- ② Fault signalling LED
- ③ LED indicating that 24 V supply is ON
- ④ Bus connectors
- ⑤ 24 V supply connection
- ⑥ Discrete input
- ⑦ Discrete input
- ⑧ Discrete output
- ⑨ Outputs for starter commands

Ultra
motor
starters



LUB + LULC15 + LU9BN11L



LU2B + LULC15 + LU9MRL

Communication module LULC15 allows direct connection of Ultra starter-controllers and controllers on an Advantys STB island, between two segments or at the end of a segment. The starter-controller will then be able to make use of the services provided by Advantys STB: self-addressing, autobaud, fallback positions.

Module Specifications

I/O terminal block

- Powered by external 24 V DC (power supply not included):
- 2 x configurable inputs for binary sensors (on LULC033 only)
- 1 x 24 V DC output - 0.5 A local auxiliary command.

Connectors

- For Ultra 24 V DC coil (common, direction 1, direction 2).
- For Advantys STB bus.

Signaling

- Com - Error - 24 V, by LED.

TeSys Control components

Description	Item	References
Advantys STB communication module	①	LULC15
Pre-wired connector: coil - LUB power base	②	LU9BN11L
Pre-wired connector: coil - LU2B power base	③	LU9MRL

Cables

Description	Length (m)	References
Cables fitted with connectors, one straight and one elbowed	0.3	LU9RCD03
	1	LU9RCD10
	5	LU9RCD50
Cables fitted with two straight connectors	0.3	LU9RDD03
	3	LU9RDD30

Compatibility of Advantys STB communication module with control units

LUCA●●BL / B●●BL / C●●BL / D●●BL | All versions marketed after 2T0481 ⁽¹⁾

(1) This "date code" is made up as follows:
2T or **2C**: factory code.
04, 05, 06 and so on: year of manufacture.
08: week.
1: 1st day of the week.

How to get information on the design of a Advantys STB architecture and the choice of network accessories

Consult the library of downloadable documents on our se.com website, by searching by the name of the transmission protocol.

TeSys Control

Ultra motor starters - LUF communication gateways

Product references



Schemes:
p. A4/63



PG121557-eps

LUF9

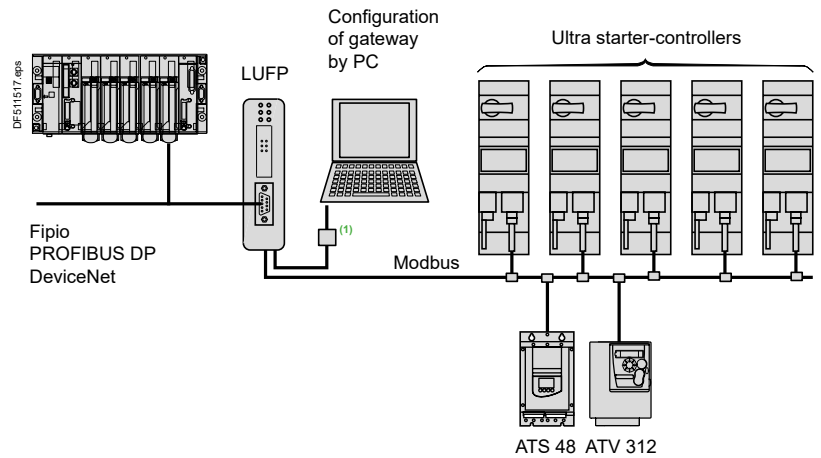
Introduction

LUF communication gateways allow connection between the Modbus serial link and Fipio, PROFIBUS DP or DeviceNet field buses.

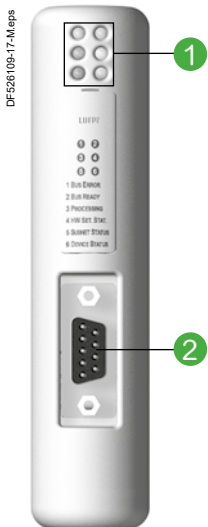
After configuration, these gateways manage information which can be accessed by the Modbus serial link and make this information available for read/write functions (command, monitoring, configuration and adjustment) on the field buses.

An LUF communication gateway consists of a box which can be clipped onto a 35 mm omega rail, allowing connection of up to 8 Slaves connected on the Modbus serial link.

Example of architecture



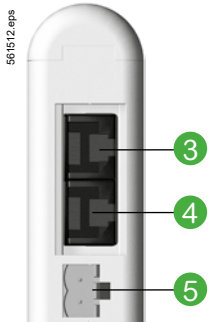
Ultra
motor
starters



DF526105-17-M-eps

1

2



561512-eps

3

4

5

Communication gateway LUF

Description	Reference
PROFIBUS DP / Modbus gateway	LUF7
DeviceNet / Modbus gateway	LUF9

Description

Front panel of the product

- 1 LED indicating :
 - communication status of the Modbus serial links,
 - gateway status,
 - communication status of the Fipio, PROFIBUS DP or DeviceNet bus.
- 2 Connectors for connection to Fipio, PROFIBUS DP or DeviceNet buses.

Underside of product

- 3 RJ45 connector for connection of the Modbus serial link
- 4 RJ45 connector for link to a PC
- 5 --- 24 V power supply

Software set-up

For the Fipio bus, software set-up of the gateway is performed using either PL7 Micro/Junior/Pro software or ABC Configurator software.

For the PROFIBUS DP and DeviceNet buses, software set-up is performed using ABC Configurator.

This software is included in the Ultra user's manual.

(1) Connection kit for PowerSuite software workshop.

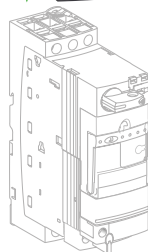


Characteristics:
p. A4/48

Dimensions:
p. A4/59



LUALF1



LUALB1



LA9LB920

Short-circuit current limiter block

To be connected in series and upstream of a Ultra starter-controller. It increases its ability to withstand the short circuit current from 50 kA to 100 or 130 kA under 400 V.

Principle: under the action of a short-circuit, the opening of two contacts of each phase of the limiter creates a resistive arc. The current then decreases to a value tolerable by a Ultra power base.

Limiter blocks and accessories

Description	Breaking capacity Iq (kA)		Ie (A)	Ith (A)	Mounting	Unit reference
	≤ 440 V	690 V				
Limiter-disconnector (1 x LUAF1 cartridge supplied)	130	70	-	32	Direct on power base up to 15 kW/32 A	LUALB1 ⁽¹⁾
Limiter limiter cartridge for LUALB1	100	35	32	63	Separate	LA9LB920 ⁽²⁾
	130	70	-	-	Limiter-disconnector	LUALF1

⁽¹⁾ Must be connected to one power base only.

⁽²⁾ Can be connected to multiple Ultra power bases in parallel with limitation :

- Total Ith max 63 A
- Total nominal current (Ie) 32 A from motor with simultaneous start (LA9LB920 could not withstand higher inrush peak current)

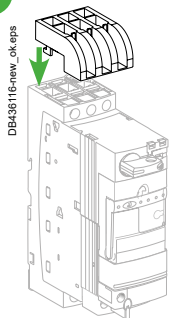
Phase barrier

Ensures a complementary electrical insulation between phases.

690 V AC network: compulsory.

440 V AC network: compulsory when assembling a UL508 type E compliant motor starter (Self Protected Starter).

Description	Use	Mounting	Reference
Phase separator	LUB or LU2B 12 or 120 LUB or LU2B 32 or 320 LUB or LU2B 38 LUB380 LUALB1	Live terminals L1, L2, L3	LU9SP0



LU9SP0

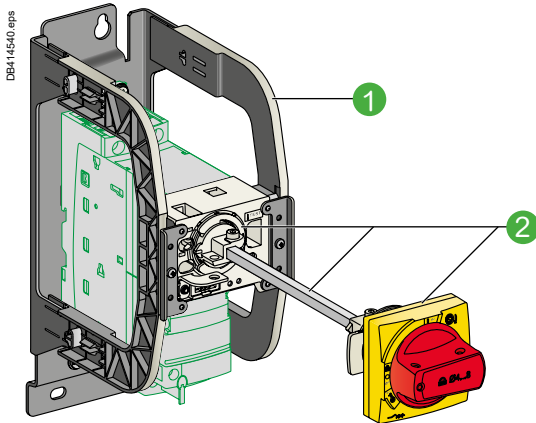
TeSys Control

Ultra motor starters - Rotary handles

Product references



Dimensions:
p. A4/59



LU9APN21 mounting kit



GVAPA1 long shaft



GVAPK12 shaft support plate for deep enclosure



GVAPP1 spacer base (retrofit accessory)



GVAPR54 red handle, IP 54



GVAPL01 "Laser square" plotting tool

Extended rotary handle

Allows a circuit breaker or a Ultra starter-controller installed in back of an enclosure to be operated from the front panel.

The rotary handle can be black or red/yellow, IP54 or IP65. It includes a function for locking the circuit breaker or the starter in the O (OFF) or I (ON) position (depending on the type of rotary handle) by means of up to 3 padlocks with a shank diameter of 4 to 8 mm.

The extension shaft must be adjusted to the depth of the enclosure.

The IP54 rotary handle is fixed with a nut ($\varnothing 22$) to make it easier to assemble.

Mounting kit

① Ultra power base bracket; its horseshoe shaped sides hold the rotary mechanism facing the original handle.

② Mechanism, shaft and handle; the shaft enters the handle attached to the door during closing.

Long shaft

■ to be cut to the required length. Equipped with a connection endpiece.

Shaft support plate for deep enclosure

■ Provides horizontal guiding of the shaft, when the door is open.

Spacer base (retrofit accessory)

■ Fixed on a side of the box, for heightening an GVAP●●● handle.

Handle

■ Delivered as a single unit, to be fitted on a side of the enclosure.

Note: references below are suitable for Ultra power bases after 2004.

"Laser Square" Tool

■ On the principle of an angle extended with a laser beam, the "Laser Square" facilitates tracing the piercing marks on the door or the sides of an enclosure.

"Safety" stickers

■ Marking; Electrical hazard, etc.

Description	Tripping indication	Reference
Mounting kit	Black handle, with error status, IP54	● LU9APN21
	Red handle, with error status, IP54	● LU9APN22
	Red handle, without error status, IP65	- LU9APN24
Separate elements	Long shaft = 315 mm	- GVAPA1
	Shaft (≥ 300 mm) support plate for deep enclosure	- GVAPK12
	Spacer base	- GVAPP1
	Black handle, IP54	● GVAPB54
	Red handle, IP54	● GVAPR54
	Red handle, IP65	● GVAPR65
Tool	"Laser square" plotting tool	● GVAPL01

TeSys Control

Ultra motor starters - Handle mounting kit for MCC drawers

Product references

PB111607_104.eps



MCC drawers (Motor Control Center)

The drawers are composed of:

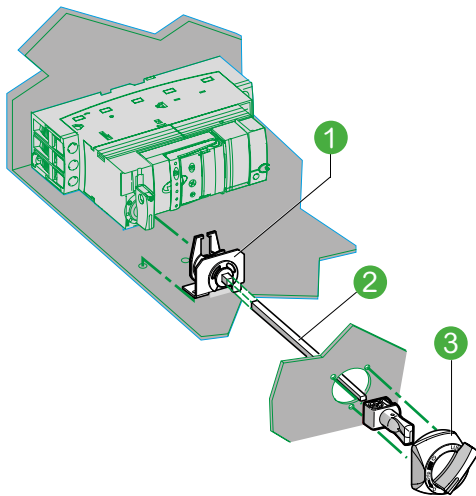
- a fixed part, in the frame of the panel,
- a fully withdrawable part, integrating the protection, control and automation components.

With a height of 3/4/6/8/12/18/24/36 modules, they allow the assembling of motor protection/control feeders:

- Direct, one direction of rotation
- Direct, 2 directions of rotation
- Star-delta
- Dahlander (2 speeds)
- 2-speed, separate winding
- Motor drives from 0 to 500 kW
- Soft starters of 0 to 75 kW.

Ultra
motor
starters

DB123404.eps



Mounting kit and handle for MCC drawer

Together, this provides manual control of a Ultra starter-controller from the front face of the drawer.

As the clamping part on top of Ultra control pad is open, the kit may be used on Ultra power bases before 2005.

Mounting kit + small handle

Description	Item	Reference
Handle with mounting kit for MCC drawer	1 + 2 + 3	LU9AP20

PB121243.eps



TeSys Control

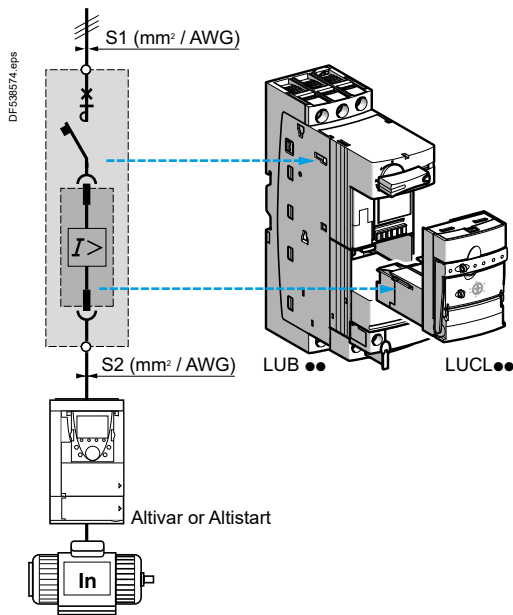
Ultra motor starters - Use with soft starter / Variable Speed Drive -

LUCL control module

Product references



Characteristics:
p. A4/46 to A4/47



Introduction

When installed upstream of a variable speed controller or soft start unit, control unit LUCL●●, used in conjunction with an LUB12 or LUB32 power base, provides:

- isolation,
 - short-circuit protection of the motor starter.
- (variable speed controller-based or soft start unit-based motor starters).

Note: control unit LUCL, when used in conjunction with power base LUB12 or LUB32, conforms to standard IEC 60947-6-2.

Installation regulations

When the length of the cable between the Ultra starter and the variable speed controller is more than 1.5 m, the c.s.a. of the cable between the variable speed controller and the Ultra starter (S2) must be equal to the c.s.a. of the cable upstream of Ultra (S1).

Ultra motor starters



Description of LUCL magnetic control unit

- 1 Extraction and locking handle
- 2 Sealing of locking handle
- 3 Dial for magnetic adjustment of motor In

References

Description	Line current of the variable speed controller or soft start unit	Reference ⁽¹⁾
	A	
Magnetic control unit	0.15...0.6	LUCLX6●●
	0.35...1.4	LUCL1X●●
	1.25...5	LUCL05●●
	3...12	LUCL12●●
	4.5...18	LUCL18●●
	8...32	LUCL32●●
	9.5...38	LUCL38●●

⁽¹⁾ Standard control circuit voltage:

Volts	24	48...72	110...240
⋯	BL ^{(2) (3)}	–	–
~	B	–	–
⋯ or ~	–	ES ⁽⁴⁾	FU ⁽⁵⁾

Please check the availability of your variant in the index page A4/40. The SEARCH function of your viewer can be used.

⁽²⁾ Voltage code to be used for a starter-controller with communication module.

⁽³⁾ d.c. voltage with maximum ripple of ±10 %.

⁽⁴⁾ ⋯: 48...72 V, ~: 48 V.

⁽⁵⁾ ⋯: 110...220 V, ~: 110...240 V.

TeSys Control

Altistart U01 soft starter

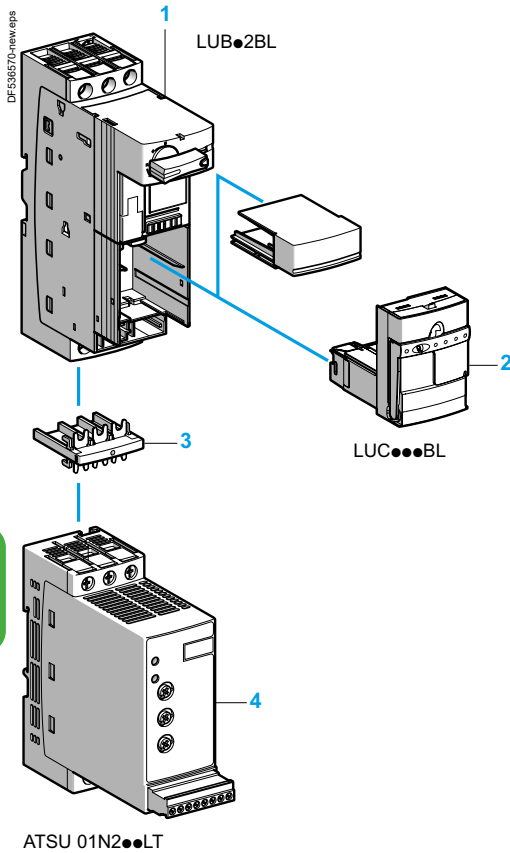
Product references



Characteristics:
p. A4/69 to A4/70

Dimensions:
p. A4/71

Schemes:
p. A4/72 to A4/75



Accessories

Description	Used for starter	Reference
Power connector between ATSU01N2●●LT and Ultra	ATSU01N2●●LT	VW3G4104

Ultra starter and soft start unit combinations

Numerous possibilities for combinations and options are offered.

Motor power ⁽¹⁾			Soft starter	Ultra	
230 V kW/HP	400 V kW	460 V HP		Power base	Control unit ⁽²⁾
0.75/1	1.5	2	ATSU01N206LT	LUB12	LUC●05BL
1.1/1.5	2.2/3	3	ATSU01N206LT	LUB12	LUC●12BL
1.5/2	–	–	ATSU01N209LT	LUB12	LUC●12BL
–	4	5	ATSU01N209LT	LUB12	LUC●12BL
2.2/3	–	–	ATSU01N212LT	LUB12	LUC●12BL
3/–	5.5	7.5	ATSU01N212LT	LUB32	LUC●18BL
4/5	7.5	10	ATSU01N222LT	LUB32	LUC●18BL
5.5/7.5	11	15	ATSU01N222LT	LUB32	LUC●32BL
7.5/10	15	20	ATSU01N232LT	LUB32	LUC●32BL

⁽¹⁾ Standard motor power ratings, HP power ratings indicated according to standard UL508.

⁽²⁾ Depending on the configuration of the chosen Ultra starter, replace the ● with A for standard or B for expandable.

TeSys Control

Ultra motor starters - Association with Variable speed controllers

Product references



Variable speed controller/Ultra starter controller combination with magnetic protection

Ultra / Altivar 212 UL Type 1/IP 20

Power 400 V (kW)	Ultra references (protection + power switching)	Variable speed controller reference
0.75	LUB12 + LUCL05	ATV212HU075N4
		ATV212HU15N4
2.2	LUB12 + LUCL12	ATV212HU22N4
3	LUB12 + LUCL12	ATV212HU30N4
4	LUB12 + LUCL12	ATV212HU40N4
5.5	LUB32 + LUCL32 or LUCL18	ATV212HU55N4
7.5	LUB32 + LUCL32 or LUCL18	ATV212HU75N4
11	LUB32 + LUCL32	ATV212HD11N4
15	LUB32 + LUCL32	ATV212HD15N4

Ultra / Altivar 212 IP 54

Power 400 V (kW)	Ultra references (protection + power switching)	Variable speed controller reference
0.75	LUB12 + LUCL05	ATV212W075N4
1.5	LUB12 + LUCL12 or LUCL05	ATV212WU15N4
2.2	LUB12 + LUCL12	ATV212WU22N4
3	LUB12 + LUCL12	ATV212WU30N4
4	LUB12 + LUCL12	ATV212WU40N4
5.5	LUB32 + LUCL32 or LUCL18	ATV212WU55N4
7.5	LUB32 + LUCL32 or LUCL18	ATV212WU75N4
11	LUB32 + LUCL32	ATV212WD11N4
15	LUB32 + LUCL32	ATV212WD15N4

Ultra motor starters

TeSys Control

Ultra motor starters - Association with Soft starters / Variable speed controllers

Products references



Ultra motor starters



Variable speed controller/Ultra starter controller combination with magnetic protection (continued)

Ultra / Altivar 320

Power 400 V (kW)	Ultra references (protection + power switching)	Variable speed controller reference
0.37	LUB12 + LUCL05	ATV320U04N4C
0.55	LUB12 + LUCL05	ATV320U06N4C
0.75	LUB12 + LUCL05	ATV320U07N4C
1.1	LUB12 + LUCL12	ATV320U11N4C
1.5	LUB12 + LUCL12	ATV320U15N4C
2.2	LUB12 + LUCL12	ATV320U22N4C
3	LUB32 + LUCL18	ATV320U30N4C
4	LUB32 + LUCL18	ATV320U40N4C
5.5	LUB32 + LUCL32	ATV320U55N4C
7.5	LUB32 + LUCL32	ATV320U75N4C

Ultra / Altivar 630

Power 400V (kW)	Ultra references (protection + power switching)	Variable speed controller reference
0.75	LUB12 + LUCL05	ATV630U07N4
1.5	LUB12 + LUCL12	ATV630U15N4
2.2	LUB12 + LUCL12	ATV630U22N4
3	LUB32 + LUCL18	ATV630U30N4
4	LUB32 + LUCL18	ATV630U40N4
5.5	LUB32 + LUCL32	ATV630U55N4
7.5	LUB32 + LUCL32	ATV630U75N4


TeSys Control

Ultra motor starters

Product references

Ultra
motor
starters

ASILUFC51	LU9R10	LUCB05FU	LUCD1XB
GV1G10	LU9R30	LUCB12B	LUCD1XBL
GVAPA1	LU9RCD03	LUCB12BL	LUCD1XES
GVAPA2	LU9RCD10	LUCB12ES	LUCD1XFU
GVAPB54S	LU9RCD50	LUCB12FU	LUCD32B
GVAPK12	LU9RDD03	LUCB18B	LUCD32BL
GVAPL01	LU9RDD30	LUCB18BL	LUCD32ES
GVAPP1	LU9RFL15	LUCB18ES	LUCD32FU
GVAPR65S	LU9RPB010	LUCB18FU	LUCD38BL
LA9LB920	LU9RPB100	LUCB1XB	LUCD38FU
LU2B12B	LU9RPB400	LUCB1XBL	LUCDT1BL
LU2B12BL	LU9SP0	LUCB1XES	LUCDX6BL
LU2B12ES	LUA1C11	LUCB1XFU	LUCDX6FU
LU2B12FU	LUA1C20	LUCB32B	LUCL05B
LU2B32B	LUA8E20	LUCB32BL	LUCL05BL
LU2B32BL	LUALB1	LUCB32ES	LUCL05ES
LU2B32ES	LUALF1	LUCB32FU	LUCL05FU
LU2B32FU	LUB12	LUCB38BL	LUCL12B
LU2B38BL	LUB120	LUCB38FU	LUCL12BL
LU2B38FU	LUB32	LUCBT1BL	LUCL12ES
LU2BA0BL	LUB320	LUCBX6B	LUCL12FU
LU2BA0ES	LUB32NR	LUCBX6BL	LUCL18B
LU2BB0BL	LUB38	LUCBX6FU	LUCL18BL
LU2MB0B	LUB380	LUCC05B	LUCL18ES
LU2MB0BL	LUCA05B	LUCC05BL	LUCL18FU
LU2MB0ES	LUCA05BL	LUCC05ES	LUCL1XB
LU2MB0FU	LUCA05ES	LUCC05FU	LUCL1XBL
LU6MB0B	LUCA05FU	LUCC12B	LUCL1XFU
LU6MB0BL	LUCA12B	LUCC12BL	LUCL32B
LU6MB0ES	LUCA12BL	LUCC12ES	LUCL32BL
LU6MB0FU	LUCA12ES	LUCC12FU	LUCL32FU
LU9AD7	LUCA12FU	LUCC18BL	LUCL38BL
LU9AP00	LUCA18B	LUCC18FU	LUCL38FU
LU9AP11	LUCA18BL	LUCC1XB	LUCLX6BL
LU9AP20	LUCA18ES	LUCC1XBL	LUFC00
LU9APN21	LUCA18FU	LUCC1XES	LUFDA01
LU9APN22	LUCA1XB	LUCC1XFU	LUFDA10
LU9APN24	LUCA1XBL	LUCC32B	LUFDH11
LU9BN11	LUCA1XES	LUCC32BL	LUFN02
LU9BN11C	LUCA1XFU	LUCC32FU	LUFN11
LU9BN11L	LUCA32B	LUCCX6B	LUFN20
LU9C1	LUCA32BL	LUCCX6BL	LUFN1
LU9C2	LUCA32ES	LUCCX6FU	LUFN7
LU9G02	LUCA32FU	LUCD05B	LUFN9
LU9G03	LUCA38BL	LUCD05BL	LUFV2
LU9GC3	LUCA38FU	LUCD05ES	LUFV10
LU9GC7	LUCAX6B	LUCD05FU	LULC031
LU9M1	LUCAX6BL	LUCD12B	LULC033
LU9MR1	LUCAX6ES	LUCD12BL	LULC08
LU9MR1C	LUCAX6FU	LUCD12ES	LULC15
LU9MRC	LUCB05B	LUCD12FU	
LU9MRL	LUCB05BL	LUCD18BL	
LU9R03	LUCB05ES	LUCD18FU	

This document is current.  Click on the product reference to get the most recent availability status (hyperlink to [se.com](https://www.se.com) product datasheet).
If your product variant is no longer available, please consult your distributor or regional sales office.

Technical Data for Designers

Contents

Characteristics.....	A4/42 to A4/53
Curves	A4/54 to A4/57
Dimensions	A4/58 to A4/59
Schemes.....	A4/60 to A4/68
Altistart U01 Soft starter	A4/69 to A4/75

TeSys Control

Ultra motor starters

Characteristics



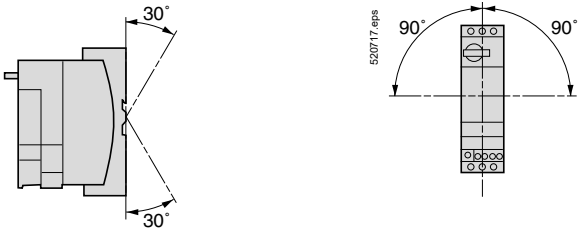
References:
p. A4/15 to A4/19

Curves:
p. A4/54 to A4/57

Dimensions:
p. A4/58 to A4/59

Schemes:
p. A4/60 to A4/68

Environment

Product certifications			UL, CSA, CCC, EAC, ASEFA, UKCA. ABS, BV, DNV, GL, LROS. ATEX.
Conforming to standards			IEC/EN 60947-6-2, CSA-22.2 N° 60947-4-1-14 UL 60947-4-1 (2): with phase barrier LU9 SP0
Rated insulation voltage (Ui)	Conforming to IEC/EN 60947-1, overvoltage category III, degree of pollution: 3	V	690
	Conforming to UL508, CSA C22-2 n°14	V	600
Rated impulse withstand voltage (Uimp)	Conforming to IEC/EN 60947-6-2	kV	6
Degree of protection Conforming to IEC/EN 60947-1 (protection against direct finger contact)	Front panel outside connection zone		IP 40
	Front panel and wired terminals		IP 20
	Other faces		IP 20
Protective treatment	Conforming to IEC/EN 60068		"TH"
	Conforming to IEC/EN 60068-2-30	Cycles	12
	Conforming to IEC/EN 60068-2-11	h	48
Ambient air temperature around the device	Storage	°C	-40...+85
	Operation	°C	Power bases ≤ 32 A (15 kW) associated with LUCA, LUCL, LUCB, LUCC, LUCD Control Units: -25 °...+70 °C. (At temperatures above 60 ° and up to 70 °C, for Starter Controllers LUB32, LU2B32 leave a minimum gap of 9 mm between products). Power bases = 38 A (18,5 kW) associated with LUCA, LUCL, LUCB, LUCC, LUCD Control Units: -25 °...+60 °C. (At temperatures above 45 °C, leave a minimum gap of 9 mm between products. At temperatures above 55 °C and up to 60 °C, leave a gap of 20 mm between products).
Maximum operating altitude		m	2000
Operating positions	In relation to normal vertical mounting plane	520716.eps	
Flame resistance	Conforming to UL 94		V2
	Conforming to IEC/EN 60695-2-12	°C	960 (parts supporting live components)
		°C	650
Environmental restrictions			Cadmium and silicone-free, recyclable
Shock resistance 1/2 sine wave = 11 ms	Conforming to IEC/EN 60068-2-27 (1)		Power poles open: 10 gn
			Power poles closed: 15 gn
Vibration resistance 5...300 Hz	Conforming to IEC/EN 60068-2-6 (1)		Power poles open: 2 gn
			Power poles closed: 4 gn (2)
Resistance to electrostatic discharge	Conforming to IEC/EN 61000-4-2	kV	In open air: 8 - Level 3
		kV	On contact: 8 - Level 4
Immunity to radiated high-frequency disturbance	Conforming to IEC/EN 61000-4-3	V/m	10 - Level 3
Immunity to fast transient currents	Conforming to IEC/EN 61000-4-4	kV	All circuits except for serial link: 4 - Level 4
		kV	Serial link: 2 - Level 3
Immunity to dissipated shock waves	Conforming to IEC/EN 60947-6-2 Uc ~ 24...240 V, Uc --- 48...220 V Uc = 24 V ---	kV	Common mode
			Serial mode
			Not applicable
Immunity to conducted high-frequency disturbance	Conforming to IEC/EN 61000-4-6	V	10
Radiated emission and conducted	Conforming to CISPR 11 and EN 55011		Class A

(1) Without modifying the contact states, in the most unfavourable direction.

(2) 2 gn with Advantys STB or CANopen communication modules.

(3) LUB38 + LUC●●● is not E Type certified.



References:
p. A4/15 to A4/19

Curves:
p. A4/54 to A4/57

Dimensions:
p. A4/58 to A4/59

Schemes:
p. A4/60 to A4/68

Power circuit connection characteristics

Connection to Ø4 mm screw clamp terminals

Power base, control unit or reverser block type			LUB12 + LUCA or LUCB or LUCC or LUCD	LUB32/LUB38 + LUCA or LUCB or LUCC or LUCD	LU2B LU2M LU6M
Flexible cable without cable end	1 conductor	mm ²	2.5...10	2.5...10	2.5...10
	2 conductors	mm ²	1.5...6	1.5...6	1.5...6
Flexible cable with cable end	1 conductor	mm ²	1...6	1...6	1...6
	2 conductors	mm ²	1...6	1...6	1...6
Solid cable without cable end	1 conductor	mm ²	1...10	1...10	1...10
	2 conductors	mm ²	1...6	1...6	1...6
Screwdriver			Philips n° 2 or flat screwdriver: Ø6 mm		
Tightening torque		N.m	2.5	2.5	2.5

Control circuit connection characteristics

Connection to Ø3 mm screw clamp terminals

Power base, control unit or reverser block type			LUB12 + LUCA or LUCB or LUCC or LUCD	LUB32/LUB38 + LUCA or LUCB or LUCC or LUCD	LU2B LU2M LU6M
Flexible cable without cable end	1 conductor	mm ²	0.75...1.5	0.75...1.5	0.75...1.5
	2 conductors	mm ²	0.75...1.5	0.75...1.5	0.75...1.5
Flexible cable with cable end	1 conductor	mm ²	0.34...1.5	0.34...1.5	0.34...1.5
	2 conductors	mm ²	0.34...1.5	0.34...1.5	0.34...1.5
Solid cable without cable end	1 conductor	mm ²	0.75...1.5	0.75...1.5	0.75...1.5
	2 conductors	mm ²	0.75...1.5	0.75...1.5	0.75...1.5
Screwdriver			Philips n° 1 or flat screwdriver: Ø5 mm		
Tightening torque		N.m	0.8...1.2	0.8...1.2	0.8...1.2

Control circuit characteristics

Rated voltage of control circuit	~ 50/60 Hz	V	24...240	24...240	–	
	–	V	24...220	24...220	–	
Voltage limits	– 24 V ⁽¹⁾	V	20...27	20...27	–	
	Operation	V	20...26.5	20...26.5	–	
Drop-out	~ or – 48...72 V	V	~ 38.5...72, – 38.5...93	–	–	
	~ 110...240 V	V	~ 88...264	~ 88...264	–	
	– 110...220 V	V	– 88...242	– 88...242	–	
	– 24 V	V	14.5	14.5	–	
	~ 24 V	V	14.5	14.5	–	
	~ or – 48...72 V	V	30	30	–	
Typical consumption	– 24 V	mA	55	55	–	
	~ 24 V	mA	130	220	120	
	~ or – 48...72 V	mA	280	280	2360	
	~ 110...240 V, – 110...220 V	mA	280	280	2300	
I rms sealed	– 24 V	mA	60	80	1000	
	~ 24 V	mA	70	90	120	
	~ or – 48...72 V	mA	35	45	(2)	
	~ 110...240 V, – 110...220 V	mA	35	25	(2)	
Heat dissipation		W	2	3	–	
Operating time	Closing	ms	24 V: 70; 48 V: 60; ≥ 72 V: 50	–	–	
	Opening	ms	35	35	–	
Resistance to micro-breaks		ms	3	3	–	
Resistance to voltage dips		IEC/EN 61000-4-11			At least 70 % of U _c for 500 ms	–
Mechanical durability		In millions of operating cycles			15	–
Maximum operating rate		In operating cycles per hour			3600	–

Main pole characteristics

Number of poles			3	3	–
Isolation conforming to IEC/EN 60947-1	Possible		Yes	Yes	–
	Padlocking		1 padlock with Ø6.9 mm shank		–
Rated thermal current		A	12	32/38	–
Rated operational current (U _e ≤ 440V)	To IEC/EN 60947-6-2 Category AC-41		θ ≤ 70°C: 12 A	θ ≤ 70°C: 32/38 A	–
	Category AC-43		θ ≤ 70°C: 12 A	θ ≤ 70°C: 28.5/35 A	–
Rated operational voltage		V	690 ⁽³⁾	690 ⁽³⁾	–
Frequency limits		Hz	40...60	40...60	–
Power dissipated in the power circuits	Operational current	A	3 6 9 12	18 25 32 38	–
	Power dissipated in all three poles	W	0.1 0.3 0.6 1.1	2.4 4.6 7.5 10.6	–
Rated breaking capacity on short-circuit		V	230 440	500 690	–
		kA	50 50 (25 for LUB38)	10 4	–
Total breaking time		ms	2 2	2	–
Thermal limit		kA ² s	90	120	–

(1) Voltage with maximum ripple of ±10 %.

(2) No consumption sealed.

(3) For 690 V, use phase barrier LU9SP0.

TeSys Control

Ultra motor starters

Characteristics



References:
p. A4/15 to A4/19

Curves:
p. A4/54 to A4/57

Dimensions:
p. A4/58 to A4/59

Schemes:
p. A4/60 to A4/68

Specific characteristics of power bases LU2B and reverser blocks LU2M or LU6M

Duration of inrush phase	~ 50/60 Hz	ms	25
	---	ms	15
Maximum operating time	Without change of direction	ms	75
	With change of direction	ms	150

General characteristics of auxiliary contacts

Conventional thermal current (I _{th})	For ambient temperature $\theta < 70^\circ\text{C}$	A	5
Frequency of the operational current		Hz	Up to 400
Minimum switching capacity $\lambda = 10^{-8}$	U min	V	17
	I min	mA	5
Short-circuit protection	Conforming to IEC/EN 60947-5-1	A	gG fuse: 4
Short-time rating	Permissible for	1 s	A 30
		500 ms	A 40
		100 ms	A 50
Insulation resistance		mΩ	10
Non-overlap time	Guaranteed between N/C and N/O contacts	ms	2 (on energisation and on de-energisation)

Specific characteristics of auxiliary contacts built-into the power base

Linked contacts	Conforming to IEC/EN 60947-4-1		Each power base has 1 N/O contact and 1 N/C contact which are mechanically linked
Mirror contact	Conforming to IEC/EN 60947-1		The N/C contact fitted in each power base reliably represents the state of the power contacts (safety scheme)
Rated operational voltage (U _e)		V	Up to ~ 690; --- 250
Rated insulation voltage (U _i)	Conforming to IEC/EN 60947-5-1	V	690
	Conforming to UL, CSA	V	600

Specific characteristics of auxiliary contacts in modules LUFN, of auxiliary contacts LUA1 and of reverser blocks LU2M and LU6M

Rated operational voltage (U _e)		V	Up to ~ 250; --- 250
Rated insulation voltage (U _i)	Conforming to IEC/EN 60947-5-1	V	250
	Conforming to UL, CSA	V	250

Rated operational power of contacts

Conforming to IEC/EN 60947-5-1

a.c. supply, categories AC-14 and AC-15

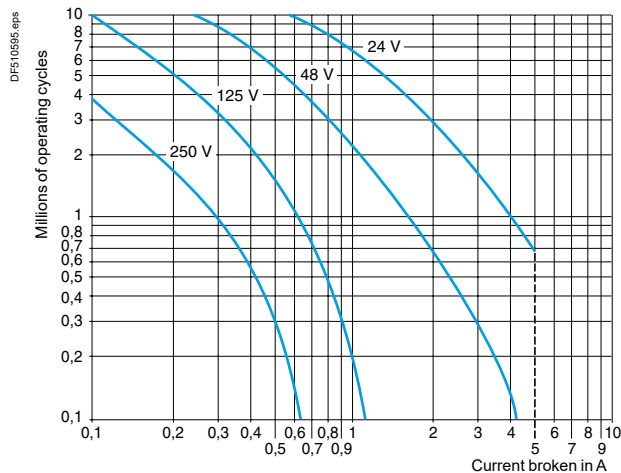
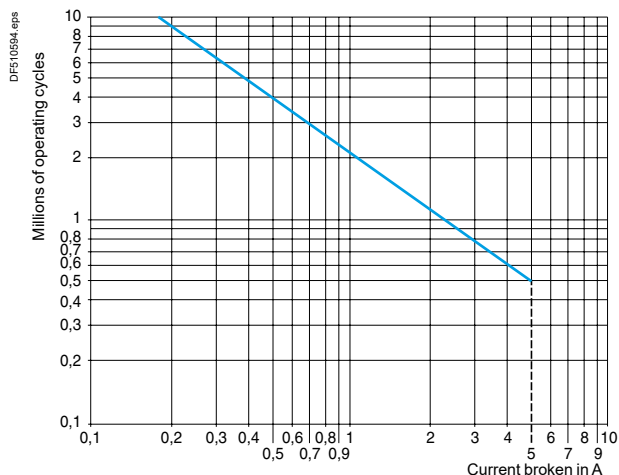
Electrical durability (valid for up to 3600 operating cycles/hour) on an inductive load such as the coil of an electromagnet: making current ($\cos \phi 0.7$) = 10 times the power broken ($\cos \phi = 0.4$)

	V	24	48	115	230	400	440	690
1 million operating cycles	VA	60	120	280	560	960	1050	1440
3 million operating cycles	VA	16	32	80	160	280	300	420
10 million operating cycles	VA	4	8	20	40	70	80	100

d.c. supply, category DC-13

Electrical durability (valid for up to 1200 operating cycles/hour) on an inductive load such as the coil of an electromagnet, without economy resistor, the time constant increasing with the load.

	V	24	48	125	250
W		120	90	75	68
W		70	50	38	33
W		25	18	14	12



TeSys Control

Ultra motor starters - Control units

Characteristics



References:
p. A4/16 to A4/19

Curves:
p. A4/54 to A4/57

Dimensions:
p. A4/58 to A4/59

Schemes:
p. A4/60 to A4/68

Characteristics of standard control units LUCA

Protection	Motor type		3-phase
	Conforming to standard		IEC/EN 60947-6-2, UL 60947-4-1, CSA C22-2 n°14
Overload protection	Tripping class conforming to UL 508, IEC/EN 60947-6-2		10
	Frequency limits of the operational current	Hz	40...60
	Temperature compensation	°C	-25...+70
	Protection against phase imbalance		Yes
Short-circuit protection	Tripping threshold		13 x I _r max (max current setting)
	Tripping tolerance		±20 %

Characteristics of advanced control units LUCB, LUCC and LUCD

Control unit type		LUCB	LUCC	LUCD
Protection	Motor type	3-phase	Single-phase	3-phase
	Conforming to standard	IEC/EN 60947-6-2, CSA C22-2 n°14	IEC/EN 60947-6-2, CSA C22-2 n°14	IEC/EN 60947-6-2, CSA C22-2 n°14
Overload protection	Tripping class conforming to UL 508, IEC/EN 60947-6-2	10	10	20
	Frequency limits of the operational current	Hz	40...60	40...60
	Temperature compensation	°C	-25...+70	-25...+55
	Protection against phase imbalance		Yes	–
Short-circuit protection	Tripping threshold	13 x I _r max.	13 x I _r max.	13 x I _r max.
	Tripping tolerance	±20 %	±20 %	±20 %

Ultra
motor
starters

TeSys Control

Ultra motor starters - Control units

Characteristics



References:
p. A4/35

Characteristics of magnetic control unit LUCL

Protection	Motor type		3-phase
	Conforming to standard		When used in conjunction with an LUB12, LUB32 or LUB38 power base, magnetic control unit LUCL conforms to standard IEC 60947-6-2.
Short-circuit protection	Tripping threshold		14.2 x I _n (max. setting current)
	Tripping tolerance		±20 %
Environment			
Product certifications			CE
Conforming to standards			When used in conjunction an LUB power base, control unit LUCL conforms to standard 60947-6-2.
Rated insulation voltage (U _i)	Conforming to IEC/EN 60947-1, overvoltage category III, degree of pollution: 3	V	690
Rated impulse withstand voltage (U _{imp})	Conforming to IEC/EN 60947-6-2	kV	6
Safety separation of circuits SELV	Conforming to IEC/EN 60947-1 appendix N	V	Between the control or auxiliary circuit and the main circuit: 400
			Between the control and auxiliary circuits: 40
Degree of protection (protection against direct finger contact)	Front panel outside connection zone		IP 40
	Front panel and wired terminals		IP 20
	Other faces		IP 20
Protective treatment	Conforming to IEC/EN 60068		"TH"
	Conforming to/EN 60068-2-30	Cycles	12
	Conforming to IEC/EN 60068-2-11	h	48
Ambient air temperature around the device	Storage	°C	- 40...+ 85
	Operation	°C	Power bases and standard and advanced control units: - 25... + 70. (At temperatures above 60 °C and up to 70 °C, for I _e = 32 A, leave a minimum gap of 9 mm between products). Power bases = 38 A (18,5 kW) associated with LUCA, LUCL, LUCB, LUCC, LUCD Control Units: -25 °...+60 °C. (At temperatures above 45 °C , leave a minimum gap of 9 mm between products. At temperatures above 55 °C and up to 60 °C, leave a gap of 20 mm between products).
Maximum operating altitude		m	2000
Operating positions	In relation to normal vertical mounting plane		
Flame resistance	Conforming to UL 94		V2
	Conforming to IEC/EN 60695-2-12	°C	960 (parts supporting live components)
		°C	650
Environmental restrictions			Cadmium and silicone-free, recyclable
Shock resistance 1/2 sine wave = 11 ms	Conforming to IEC/EN60068-2-27 ⁽¹⁾		Power poles open: 10 gn Power poles closed: 15 gn
Vibration resistance 5...300 Hz	Conforming to IEC/EN 60068-2-6 ⁽¹⁾		Power poles open: 2 gn Power poles closed: 4 gn ⁽²⁾
Resistance to electrostatic discharge	Conforming to IEC/EN 61000-4-2	kV	In open air: 8 - Level 3
		kV	On contact: 8 - Level 4
Immunity to radiated high-frequency disturbance	Conforming to IEC/EN 61000-4-3	V/m	10 - Level 3
Immunity to fast transient currents	Conforming to IEC/EN 61000-4-4	kV	All circuits except for serial link: 4 - Level 4
		kV	Serial link: 2 - Level 3
Immunity to dissipated shock waves	Conforming to IEC/EN 60947-6-2 U _c ~ 24...240 V, U _c ∴ 48...220 V U _c = 24 V ∴		Common mode
		kV	2
			Serial mode
			1
Immunity to conducted high-frequency disturbance	Conforming to IEC/EN 61000-4-6	V	10

(1) Without modifying the contact states, in the most unfavourable direction.
(2) 2 gn with Advantys STB or CANopen communication modules.

TeSys Control

Ultra motor starters - Control units

Characteristics



References:
p. A4/35

Power circuit connection characteristics of LUCL

Power base and control unit type		LUB12 + LUCL	LUB32 + LUCL	LUB38 + LUCL
Connection to Ø4 mm screw clamp terminals				
Flexible cable without cable end	1 conductor	mm ²	2.5...10	2.5...10
	2 conductors	mm ²	1.5...6	1.5...6
Flexible cable with cable end	1 conductor	mm ²	1...6	1...6
	2 conductors	mm ²	1...6	1...6
Flexible cable without cable end	1 conductor	mm ²	1...10	1...10
	2 conductors	mm ²	1...6	1...6
Screwdriver			Philips n° 2 or flat screwdriver: Ø6 mm	
Tightening torque		N.m	1.9...2.5	1.9...2.5

Control circuit connection characteristics of LUCL

Connection to Ø3 mm screw clamp terminals				
Flexible cable without cable end	1 conductor	mm ²	0.75...1.5	0.75...1.5
	2 conductors	mm ²	0.75...1.5	0.75...1.5
Flexible cable with cable end	1 conductor	mm ²	0.34...1.5	0.34...1.5
	2 conductors	mm ²	0.34...1.5	0.34...1.5
Flexible cable without cable end	1 conductor	mm ²	0.75...1.5	0.75...1.5
	2 conductors	mm ²	0.75...1.5	0.75...1.5
Screwdriver			Philips n° 2 or flat screwdriver: Ø5 mm	
Tightening torque		N.m	0.8...1.2	0.8...1.2

Control circuit characteristics of LUCL

Rated control circuit voltage	~ 50/60 Hz	V	24...240	24...240
	---	V	24...220	24...220
Voltage limits	--- 24 V ⁽¹⁾	V	20...27	20...27
	Operation	~ 24 V	V	20...26.5
Drop-out	~ or --- 48...72 V	V	~ 38.5...72, --- 38.5...93	~ 38.5...72, --- 38.5...93
	~ 110...240 V	V	~ 88...264	~ 88...264
	--- 110...240 V	V	--- 88...242	--- 88...242
	--- 24 V	V	14.5	14.5
Typical consumption	~ 24 V	V	14.5	14.5
	~ or --- 48...72 V	V	29	29
	~ 110...240 V, --- 110...220 V	V	55	55
	--- 24 V	mA	130	220
I max while closing	~ 24 V	mA	140	220
	~ or --- 48...72 V	mA	280	280
	~ 110...240 V, --- 110...220 V	mA	280	280
	--- 24 V	mA	60	80
I rms sealed	~ 24 V	mA	70	90
	~ or --- 48...72 V	mA	35	45
	~ 110...240 V, --- 110...220 V	mA	35	25
	Heat dissipation	W	2	3
Operating time	Closing	ms	24 V: 70; 48 V: 60; ≥ 72 V: 50	24 V: 70; 48 V: 60; ≥ 72 V: 50
	Opening	ms	35	35
Resistance to micro-breaks		ms	3	3
Resistance to voltage dips	IEC/EN 61000-4-11		At least 70 % of U _c for 500 ms	
Mechanical durability	In millions of operating cycles		15	15
Maximum operating rate	In operating cycles per hour		3600	3600

Main pole characteristics of LUCL

Number of poles			3	3
Isolation conforming to IEC/EN 60947-1	Possible		Yes	Yes
	Padlocking		1 padlock with Ø6.9 mm shank	1 padlock with Ø6.9 mm shank
Rated thermal current		A	12	32 (38 A for LUB38)
Rated operational current (U _e ≤ 440 V)	Conforming to IEC/EN 60947-6-2	Category AC-41	θ ≤ 70 °C: 12 A	θ ≤ 70 °C: 32 A (38 A for LUB38)
		Category AC-43	θ ≤ 70 °C: 12 A	θ ≤ 70 °C: 32 A 38
Rated operational voltage		V	690 ⁽³⁾	690 ⁽³⁾ 690
Frequency limits	Of the operating current	Hz	40...60	40...60 40...60
Power dissipated in the power circuits	Operational current	A	3 6 9 12 18 25 32 38	
	Power dissipated in all three poles	W	0.1 0.3 0.6 1.1 2.4 4.6 7.5 10.5	
Rated breaking capacity on short-circuit		V	230 440 500 690	
		kA	50 50 10 4	
Total breaking time		ms	2 2 2	
Thermal limit	With I _{sc} max on 440 V	kA ² s	90	120

(1) d.c. voltage with maximum ripple of ± 10 %.

(2) No consumption sealed.

(3) For 690 V, use phase barrier LU9SP0.

Ultra motor starters



References:
p. A4/18, A4/19

Dimensions:
p. A4/59

Characteristics of limiter-disconnector LUALB1

Rated insulation voltage (Ui) conforming to standard IEC/EN 60947-1	V	690
Conventional thermal current (Ith) conforming to standard IEC/EN 60947-1	A	32
Operating threshold I rms	kA	50
Breaking capacity	V	440 690
	kA	130 70
Mounting		Directly on the upstream terminals of the starter-controller
Cabling		
Solid cable	1 conductor	mm² 1.5...10
	2 conductors	mm² 1.5...6
Flexible cable without cable end	1 conductor	mm² 1...10
	2 conductors	mm² 1...6
Flexible cable with cable end	1 conductor	mm² 1...6
	2 conductors	mm² 1...6
Screwdriver		Phillips n°2 or flat screwdriver Ø6 mm
Tightening torque	N.m	1.9...2.5

Characteristics of current limiter LA9LB920

Rated insulation voltage (Ui) conforming to standard IEC/EN 60947-1	V	690
Conventional thermal current (Ith) conforming to standard IEC/EN 60947-1	A	63
Operating threshold I rms	A	1000
Breaking capacity	V	440 690
	kA	100 35
Mounting		Separate
Cabling		
Solid cable	1 conductor	mm² 1.5...25
	2 conductors	mm² 1.5...10
Flexible cable without cable end	1 conductor	mm² 1.5...25
	2 conductors	mm² 2.5...10
Flexible cable with cable end	1 conductor	mm² 1.5...16
	2 conductors	mm² 1.5...4
Screwdriver		Phillips n°2 or flat screwdriver Ø6 mm
Tightening torque	N.m	2.2

Characteristics of thermal overload alarm function modules LUFW10

Activation threshold		Fixed at 88 % of the thermal tripping state
Hysteresis between activation and switching off		5 %
Display		By LED on front panel
Supply		Powered by the control unit
Discrete output characteristics	Type	N/O contact
	AC-15	230 V max; 400 VA 100 000 operating cycles
	DC-13	24 V; 50 W 100 000 operating cycles
Conventional thermal current (Ith)	For ambient temperature $\theta < 70\text{ }^{\circ}\text{C}$	A 2
Short-circuit protection	Conforming to IEC/EN 60947-5-1	A gG fuse: 2

Characteristics of thermal overload fault signalling and reset modules

Module type		LUFDH11	LUFDA01	LUFDA10
Fault signalling		By LED on front panel		
External power supply	V	$\sim/\text{---}$ 24... 240		
Module consumption	mA	7 at --- 24		
		1.1 at \sim 240		
Discrete outputs	Type	1 N/C+ 1 N/O	1 N/C	1 N/O
	AC-15	230 V max; 400 VA 100 000 operating cycles		
	DC-13	24 V; 50 W 100 000 operating cycles		
Conventional thermal current (Ith)	For ambient temperature $\theta < 70\text{ }^{\circ}\text{C}$	A	2	
Short-circuit protection	Conforming to IEC/EN 60947-5-1	A	gG fuse: 2	
Reset input	Conductor c.s.a.	mm²	0.2 min	
	Length	m	500 (R = 50 Ω . L = 52.8 mH, Cp = 93 pF)	



References:
p. A4/18, A4/27,
A4/29

Schemes:
p. A4/61, A4/66 to
A4/67

Characteristics of motor load indication function module LUFV2			
Analogue output			4 - 20 mA
Signal delivered			Value of I average/I _r ratio within the range of 0 to 2 for LUCB and LUCD Value of I average/I _r ratio within the range of 0 to 3 for LUCB
Load impedance	Minimum	kΩ	–
	Maximum	Ω	500
	Typical	Ω	100
Signal characteristics with advanced control unit		Precision	±6 %
Supply			External --- 24 V

Characteristics of AS-Interface communication module ASILUFC51			
Module type			ASILUF C51
Product certification			AS-Interface V2.1 n° 52303
AS-Interface profile			7.A.7.E
Ambient air temperature		°C	Operation -25...+55
Cycle time		ms	10
Addressing			62 slaves
AS-Interface supply		V	29.5...31.5
Current consumption	On the AS-Interface bus	mA	Normal operation: 25
		mA	Fault condition: 30
	On 24 V supply for the outputs	mA	200
Auxiliary supply		V	--- 24 ±30 %
Number of outputs			2 dedicated to starter-controller coil operation
Switching capacity of the solid state outputs			0.5 A/24 V (outputs protected against short-circuits)
Indication/diagnostics			By 2 LEDs on front panel

Characteristics of Modbus communication module LULC033			
Physical interface			RS 485 multi-drop
Connections			RJ45 on front panel
Protocol			Modbus RTU
Maximum transmission speed		bit/s	19 200 (self-configuration up to this value)
Maximum return time		ms	30
Addressing			By switches: from 0...31
Ambient air temperature		°C	Operation -25...+55
Discrete inputs	Number		2 (to be assigned according to the configuration)
	Supply	V	--- 24
	Input current	mA	7
Nominal input values	Voltage	V	--- 24 (positive logic)
	Current	mA	7
Response time	Change to state 1	ms	10 (±30 %)
	Change to state 0	ms	10 (±30 %)
Input type			Resistive
Solid state outputs	Number		3, of which 2 dedicated to starter-controller coil operation
	Supply	V	--- 24
	Max. current	mA	500
Protection	gl fuse	A	1
Switching capacity			0.5 A/24 V
Indication/diagnostics			By 3 LEDs on front panel

TeSys Control

Ultra motor starters - Communication modules

Characteristics



References:
p. A4/28, A4/30,
A4/38

Schemes:
p. A4/61 to A4/62

Characteristics of CANopen communication module

Communication module			CANopen LULC08	
Services	Conformity class		S 20 (Schneider Electric)	
	Standard		CIADS-301 V4.02 DR 303-2	
	Profile		–	
	Protocol		CAN 2.0A (2B passive)	
	Address		0...127 (by switches)	
Structure	Physical interface		9-way SUB-D female	
	Binary rate		10, 20, 50, 125, 250, 500 and 1000 Kbits/s (by switches)	
	Cables		2 shielded twisted pairs	
Supply for the discrete outputs and control	~ 24 V	V	20...28	
	Current consumption	A	1.5 (max)	
	Protection by gl fuse	A	2	
Ambient air temperature		°C	Operation -25...+55	
Logic inputs	Number		2 (to be assigned according to the configuration)	
	Supply		V ~ 24	
	Input current		mA 7	
	Nominal input values	Voltage	V	~ 24 (positive logic)
		Current	mA	7
	Response time	Change to state 1	ms	10 (±30 %)
		Change to state 0	ms	10 (±30 %)
Input type			Resistive	
Discrete outputs	Number		3, of which 2 dedicated to starter-controller coil operation	
	Max. current	mA	500	
	Short-circuit protection		Yes	
	Switching capacity		0.5 A / ~ 24 V	
Indication/diagnostics			By 3 LEDs on front panel	

Characteristics of Advantys STB communication module LULC15

Physical interface			CAN	
Connections			Fire Wire	
Protocol			CAN 2.0 and CAN 2.B (passive mode)	
Transmission speed		kbit/s	800	
Addressing			Self-addressing	
Supply for the discrete outputs and control	~ 24 V	V	20...28	
	Current consumption	A	1.5 (max)	
	Protection by gl fuse	A	2	
Ambient air temperature		°C	Operation -25...+55	
Discrete inputs	Number		2 (to be assigned according to configuration)	
	Supply		V ~ 24	
	Input current		mA 7	
	Nominal input values	Voltage	V	~ 24 (positive logic)
		Current	mA	7
	Response time	Change to state 1	ms	10 (± 30 %)
		Change to state 0	ms	10 (± 30 %)
Input type			Resistive	
Discrete outputs	Number		3, of which 2 dedicated to starter-controller coil operation	
	Max. current	mA	500	
	Short-circuit protection		Yes	
	Switching capacity		0.5 A / ~ 24 V	
Indication/diagnostics			By 3 LEDs on front panel	



References:
p. A4/18, A4/27,
A4/30

Schemes:
p. A4/61 to A4/64

Connection characteristics			LUFW10, LUFDH11, LUFDA01 and LUFDA10	LUFV2	ASILUFC51	
Module type					Inputs and 24 V auxiliary supply	Outputs
Connectors	Pitch		5.08	3.81	5.08	3.81
Flexible cable without cable end	1 conductor	mm ²	0.2...1.5	0.14...1	0.2...1.5	0.14...1
	2 identical conductors	mm ²	0.2...1	0.14...0.75	0.2...1	0.14...0.75
Flexible cable with cable end	Without insulated ferrule	1 conductor	mm ²	0.25...1.5	0.25...1	0.25...1.5
		2 identical conductors	mm ²	0.25...1	0.25...0.34	0.25...1
	With insulated ferrule	1 conductor	mm ²	0.25...1.5	0.25...0.5	0.25...1.5
		2 identical conductors (Use a double cable end)	mm ²	0.5...1	0.5	0.5...1
Solid cable without cable end	1 conductor	mm ²	0.2...1.5	0.14...1	0.2...1.5	0.14...1
	2 identical conductors	mm ²	0.2...1	0.14...0.5	0.2...1	0.14...0.5
Conductor size	1 conductor		AWG24... AWG16	AWG26... AWG16	AWG24... AWG16	AWG26... AWG16
Tightening torque		N.m	0.5...0.6	0.20...0.25	0.5...0.6	0.20...0.25
Flat screwdriver		mm	3.5	2.5	3.5	2.5
Module type			LULC033, LULC08 and LULC15	LUFC00		
Connectors	Pitch		3.81	3.81		
Flexible cable without cable end	1 conductor	mm ²	0.14...1	0.14...1		
	2 identical conductors	mm ²	0.14...0.75	0.14...0.75		
Flexible cable with cable end	Without insulated ferrule	1 conductor	mm ²	0.25...1	0.25...1	
		2 identical conductors	mm ²	0.25...0.34	0.25...0.34	
	With insulated ferrule	1 conductor	mm ²	0.25...0.5	0.25...0.5	
		2 identical conductors (Use a double cable end)	mm ²	0.5	0.5	
Solid cable without cable end	1 conductor	mm ²	0.14...1	0.14...1		
	2 identical conductors	mm ²	0.14...0.5	0.14...0.5		
Conductor size	1 conductor		AWG26... AWG16	AWG26... AWG16		
Tightening torque		N.m	0.20...0.25	0.20...0.25		
Flat screwdriver		mm	2.5	2.5		

TeSys Control

Ultra motor starters - Operating status indication

Characteristics



References:
p. A4/15 to A4/18

Schemes:
p. A4/65 to A4/68

Knob positions - Poles and Signaling contact states

Ultra operating status	Position of rotary knob	Indication on front panel	N/O pole contact	N/C pole contact	N/O contact any fault	N/C contact any fault	N/O contact product ready	N/C contact Rotary knob on OFF position
References of add-on contact blocks and auxiliary contact modules Terminal referencing	–	–	–	LUFN11 31-32	LUA1C20 97-98	LUA1C11 95-96	LUA1C20 17-18	–
	or	–	–	LUFN02 31-32 41-42	–	–	–	LUA8E20 57/58 67/68
	or	–	–	LUFN20 33-34 43-44	LU9BN11 21-22	–	LUA1C11 17-18	–
	or	–	–	LUFN11 43-44	–	–	–	–
	or	–	–	LU9BN11 13-14	–	–	–	–
Off	OFF	0						
Ready to operate		0						
Start		1						
Tripped on short-circuit	TRIP	I>>						
Tripped on thermal overload	Manual reset mode TRIP	0						
	Automatic reset on thermal overload fault mode 	0						
	Remote reset mode 	0						

N/O contact in closed position.

N/C contact in open position.

Ultra motor starters

TeSys Control

Ultra motor starters - Available status

Characteristics



References:
p. A4/27 to A4/30

Schemes:
p. A4/61 to A4/62

Data profile under AS-Interface				Standard LUCA	Advanced LUCB, CC, CD
Control unit present in the product					
Status		D0	Ready (available)		
		D1	Poles closed (running)		
Commands		D0	Start - forward running		
		D1	Start - reverse running		

Main registers accessible with Modbus, CANopen, Advantys STB, PROFIBUS DP and DeviceNet communication modules.					
For other registers and for further information, please consult the User's Manual <i>Communication variables</i> on the website www.schneider-electric.com					
Control unit present in the product				Standard	Advanced
Marking	Register 0...Register 99	Words...Bits	Commercial reference, serial number, software version		
Log	Register 100...Register 450	Words...Bits	Fault log, Operating log, Log of last 5 trips		
Status	Register 451...Register 464	Words...Bits	Alarm signalling (bits), Fault signalling (bits)		
Values	Register 465...Register 473	Words	Irms phase 1, phase 2, phase 3. Motor load, thermal status Earth leakage current. Phase imbalance and phase failure		
	Register 474...Register 599	Words...Bits	Reserved		
Configuration	Register 600...Register 699	Words...Bits	Protection and alarm thresholds, fallback mode and reset mode		
Commands	Register 700...Register 714	Words...Bits	Commands		

Status and values	Register 452	Bit 0	Short-circuit fault		
		Bit 1	Overcurrent fault		
		Bit 2	Thermal overload fault		
	Register 455	Bit 0	Ready (available)		
		Bit 1	Poles closed		
		Bit 2	Fault		
		Bit 3	Alarms		
		Bit 4	Tripped ("TRIP" position)		
		Bit 5	Fault acknowledgement allowed		
		Bit 6	Reserved		
		Bit 7	Motor running		
		Bit 8	Motor current % (bit 0)		
		Bit 9	Motor current % (bit 1)		
		Bit 10	Motor current % (bit 2)		
		Bit 11	Motor current % (bit 3)		
		Bit 12	Motor current % (bit 4)		
		Bit 13	Motor current % (bit 5)		
		Bit 14	Reserved		
	Bit 15	Motor starting			
Register 461	Bit 3	Thermal overload alarm			
Register 465	Word	Thermal status value			
Register 466	Word	Motor load value (Im/Ir)			

Configuration	Register 602	Bit 0	Manual reset on thermal overload fault		
		Bit 1	Remote reset on thermal overload fault		
		Bit 2	Automatic reset on thermal overload fault		
	Register 682	Value 0	Fallback mode validation		
		Value 1	Outputs OA1 and OA3 unchanged		
		Value 2	Outputs OA1 and OA3 forced to 0		
		Value 3	Outputs OA1 and OA3 unchanged, signalling existence of communication failure		
		Value 4	Outputs OA1 forced to 1 and OA3 unchanged		
		Value 5	Outputs OA3 forced to 1 and OA1 unchanged		

Commands	Register 700	Bit 0	LO1 output command		
	Register 704	Bit 0	OA1 output command		
		Bit 1	OA3 output command		
		Bit 2	Reserved		
		Bit 3	Fault acknowledgement		
		Bit 4	Reserved		
		Bit 5	Trip test		
		Bit 6...15	Reserved		

Data accessible

Ultra motor starters

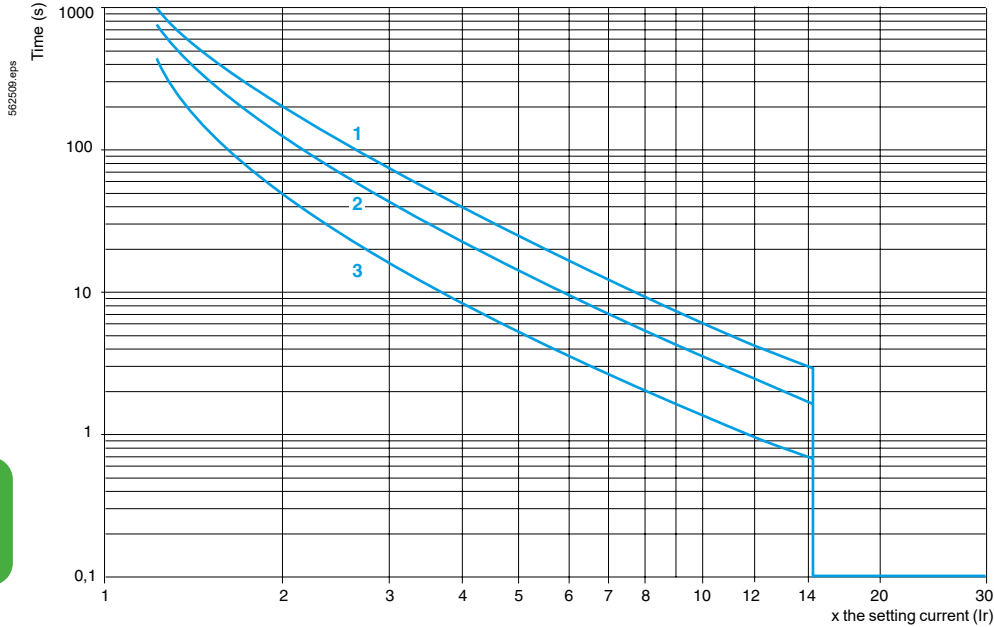


References:
p. A4/16 to A4/17

Characteristics:
p. A4/45

Tripping curves for control units LUCA, LUCB, LUCD

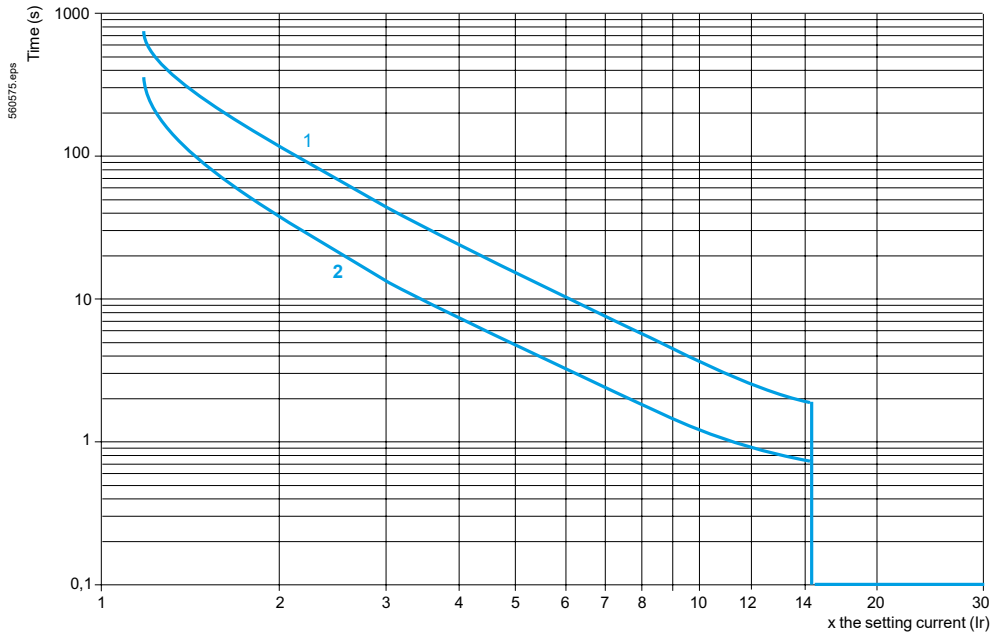
Average operating times at 20 °C according to multiples of the setting current, tolerance : $\pm 20\%$.



- 1 LUCD, 3 poles from cold state, class 20.
- 2 LUCA, LUCB, 3 poles from cold state, class 10.
- 3 LUCA, LUCB, LUCD, 3 poles from hot state.

Tripping curves for control units LUCC

Average operating times at 20 °C according to multiples of the setting current, tolerance : $\pm 20\%$.



- 1 LUCC, single-phase, cold state.
- 2 LUCC, single-phase, hot state.



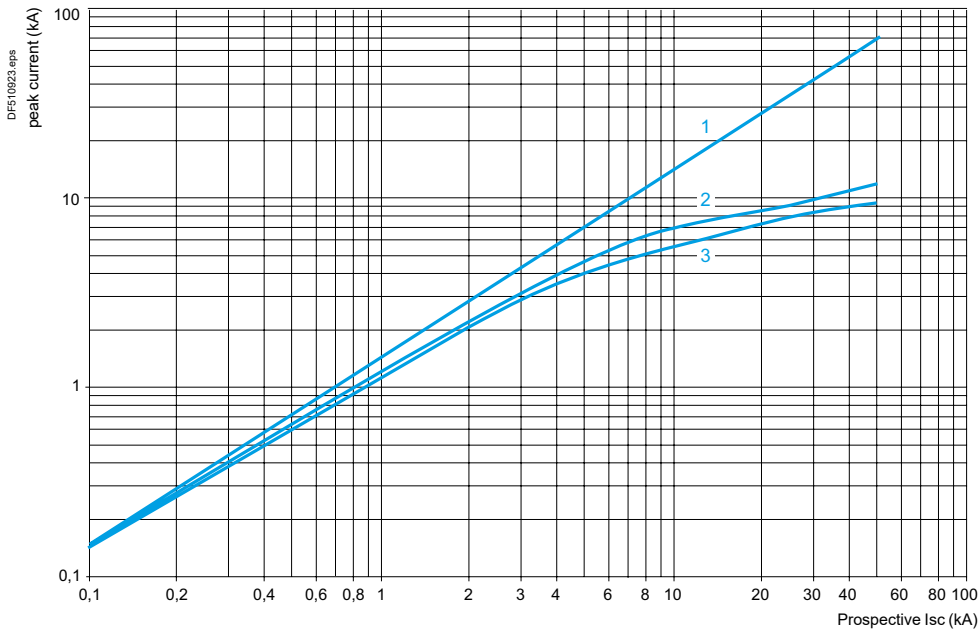
References:
p. A4/15

Characteristics:
p. A4/42, A4/44 to
A4/52

Schemes:
p. A4/60 to A4/68

Current limitation on short-circuit

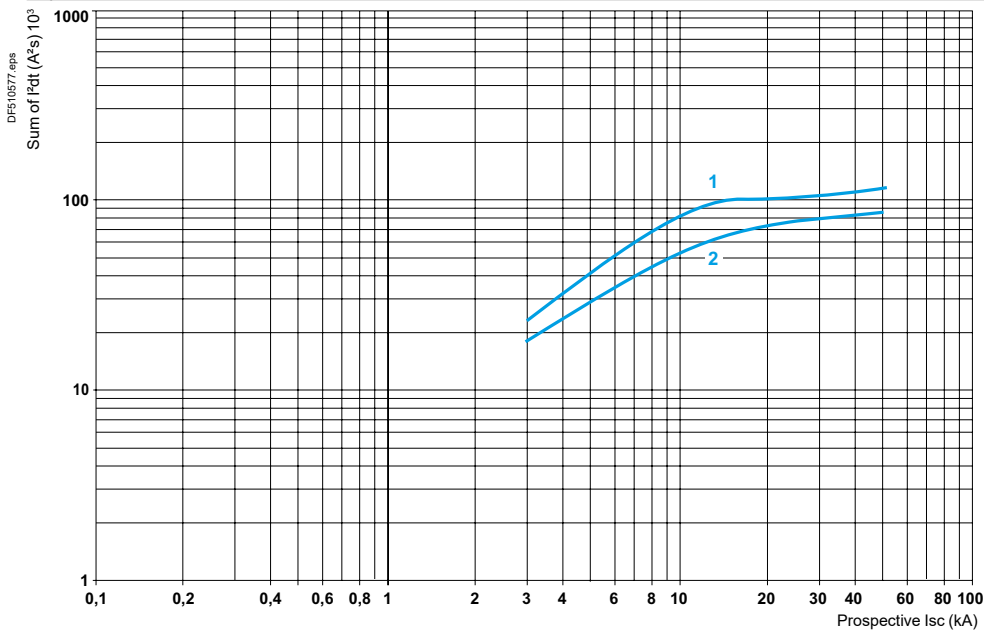
$U_e = 460 \text{ V}$



- 1 Maximum peak current
- 2 32 A, 38 A power base
- 3 12 A power base

Thermal limit on short-circuit

$U_e = 460 \text{ V}$



- 1 32 A, 38 A power base
- 2 12 A power base



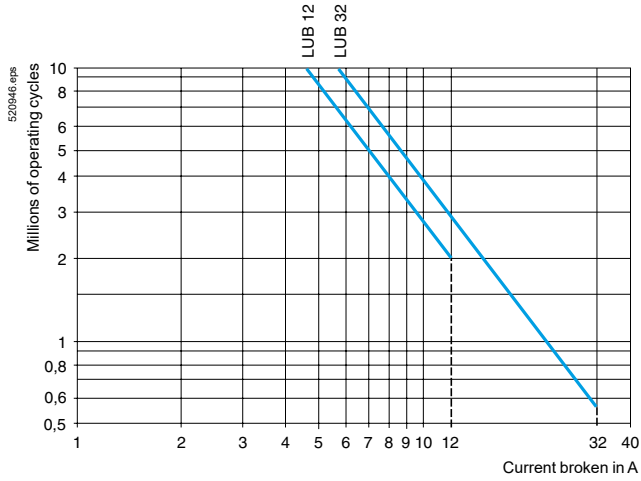
References:
p. A4/15

Characteristics:
p. A4/42, A4/44 to
A4/52

Dimensions:
p. A4/58 to A4/59

Schemes:
p. A4/60 to A4/68

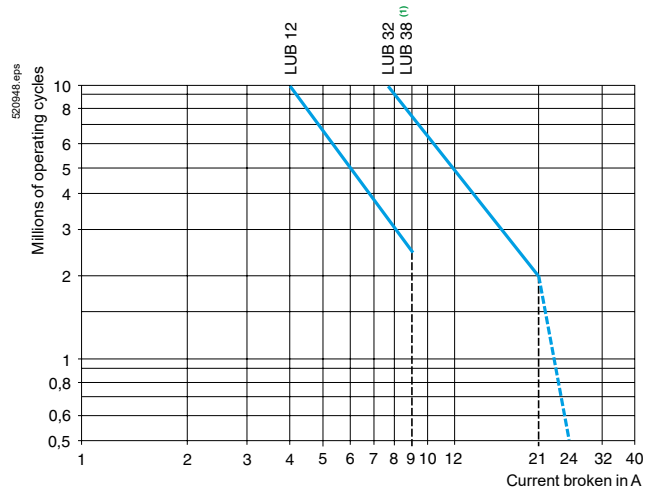
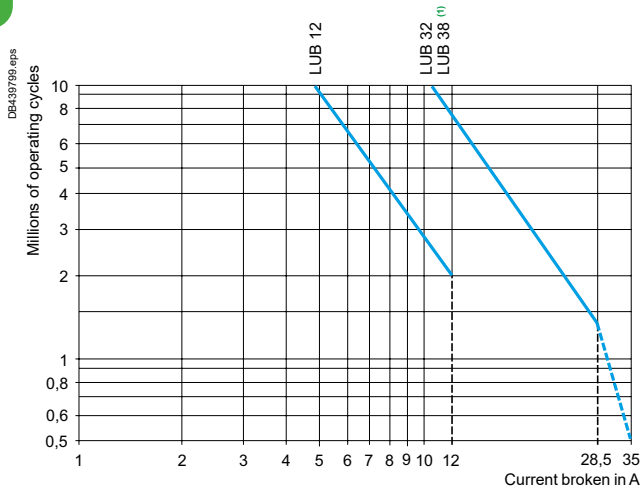
Use in category AC-41



Use in category AC-43

$U_e \leq 440 V$

$U_e = 690 V$



(1) Plain curve: LUB32 + LUB38, dotted curve: LUB38 only.

TeSys Control

Ultra motor starters

Curves



References:
p. A4/15

Characteristics:
p. A4/42, A4/44 to
A4/52

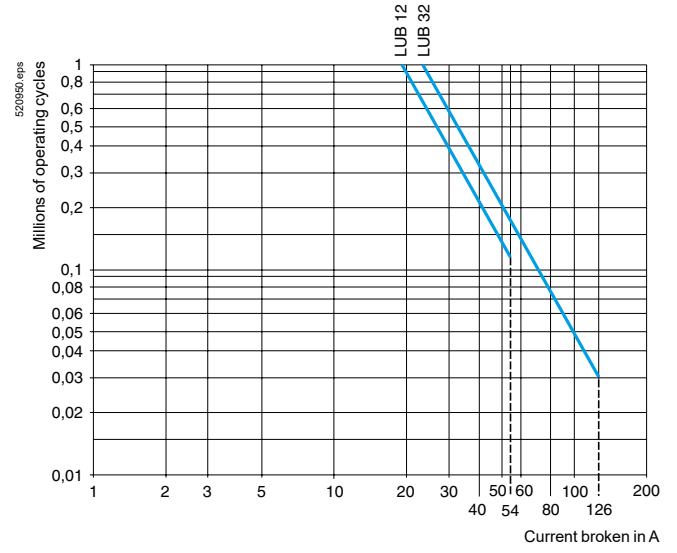
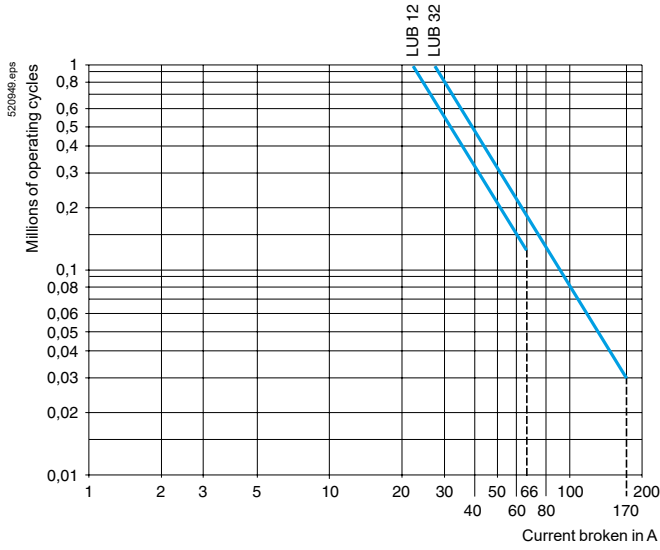
Dimensions:
p. A4/58 to A4/59

Schemes:
p. A4/60 to A4/68

Use in category AC-44

U_e ≤ 440 V

U_e = 690 V



Ultra
motor
starters



References:
p. A4/15 to A4/16

Characteristics:
p. A4/42

Curves:
p. A4/54 to A4/57

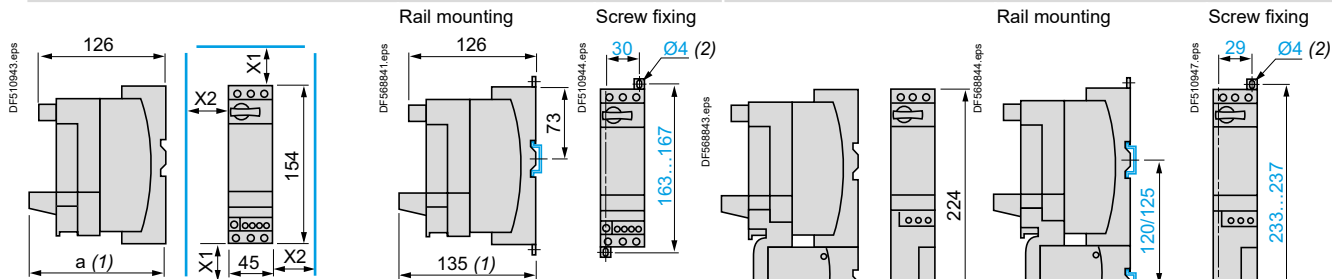
Schemes:
p. A4/59 to A4/68

Dimensions

Starter-controllers

LUB: non-reversing

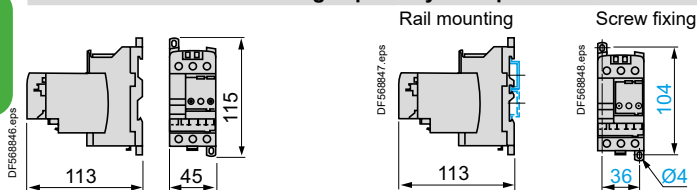
LU2B: reversing



With Modbus module	135
With Advantys STB or CANopen modules	147

Minimum electrical clearance:
X1 = 50 mm for Ue = 440 V and 70 mm for Ue = 500 and 690 V, X2 = 0

Reverser block for mounting separately from power base

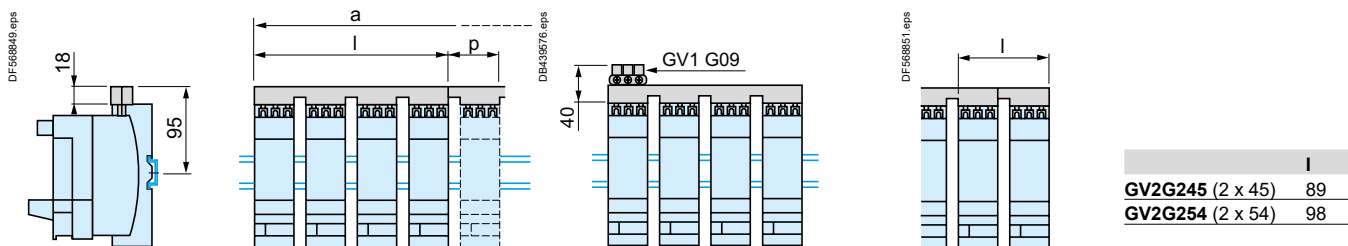


Sets of busbars and plug-in power sockets

GV2G445 and GV2G454

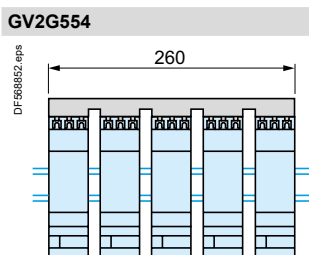
GV2G●●● with terminal block GV1G09

GV2G245 and G254



	I	P
GV2G445 (2 x 45)	179	45
GV2G454 (2 x 54)	206	54

	a			
Number of tap-offs	5	6	7	8
GV2G445 (2 x 45)	224	269	314	359
GV2G454 (2 x 54)	260	314	368	422

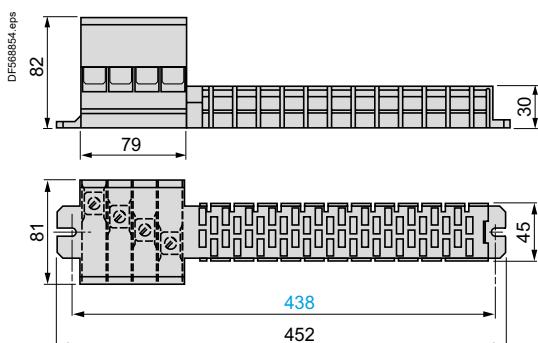


GV2G345 et G354

	I
GV2G245 (2 x 45)	89
GV2G254 (2 x 54)	98
GV2G345 (2 x 45)	134
GV2G354 (2 x 54)	152

AK5JB144 (3)

AK5PC13, PC33, PC33L



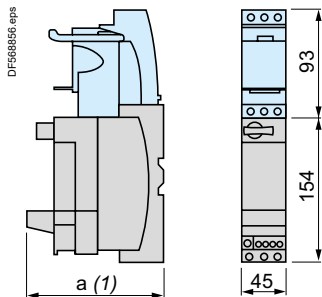
(1) Depth with communication module.
(2) Retractable fixing lugs.
(3) Compatible with LUB12 and LUB32.



References:
p. A4/24, A4/32 to
A4/33

Dimensions, mounting

Limiters-disconnector LUALB1



a

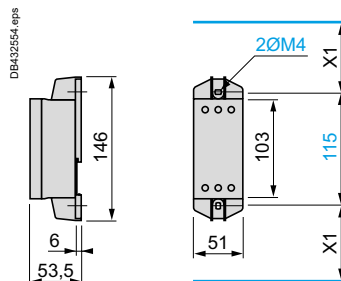
With Modbus module

135

With Advantys STB or
CANopen modules

147

Current limiter LA9LB920

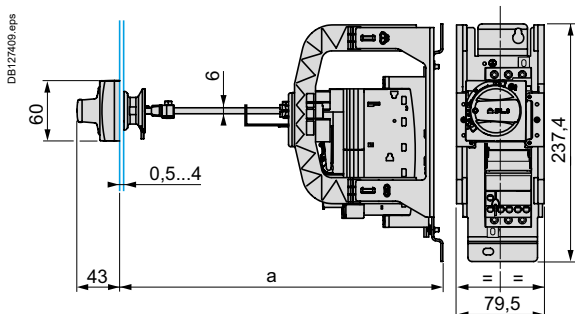


X1: Electrical clearance = 30 mm for $U_e \leq 690$ V

Door interlock mechanisms

LU9APN21, LU9APN22, LU9APN24

Door cut-out



(1) For IP65 only.

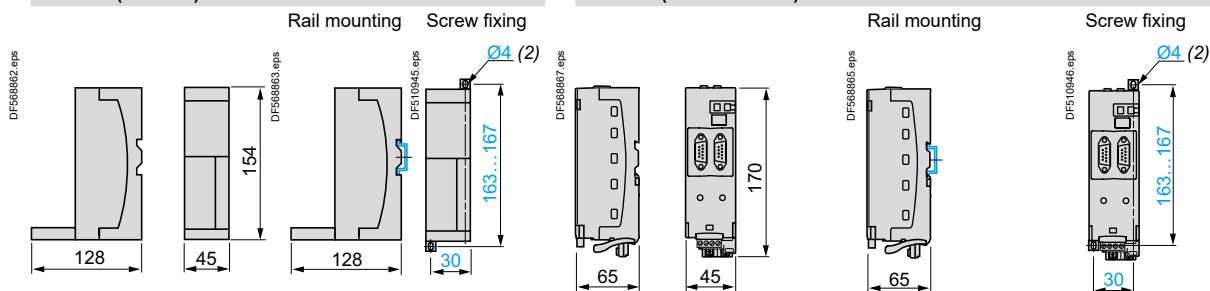
	a	
	Mini	Maxi
LU9APN●●	191	300
LU9APN●● + GVAPK12	300	483

Ultra
motor
starters

Splitter boxes

LU9GC3 (Modbus) LU9G02 and LU9G03

LU9GC7 (PROFIBUS DP)



(1) Depth with communication module.

(2) Retractable fixing lugs.

TeSys Control

Ultra motor starters - Terminal identifications

Schemes



References:
p. A4/15 to A4/16

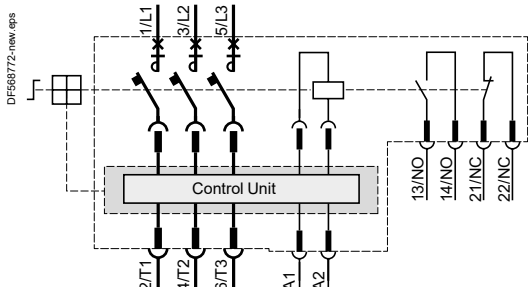
Characteristics:
p. A4/42 to A4/43

Curves:
p. A4/54 to A4/57

12, 32, 38 A power bases with standard or advanced control unit

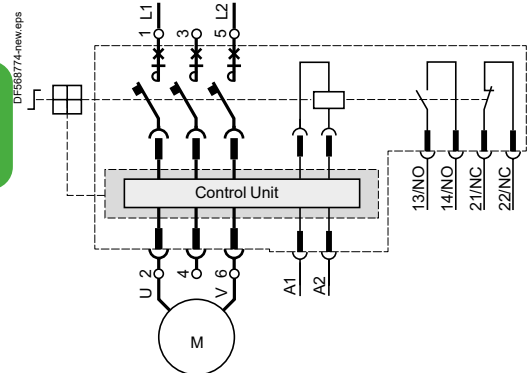
LUB

Non-reversing



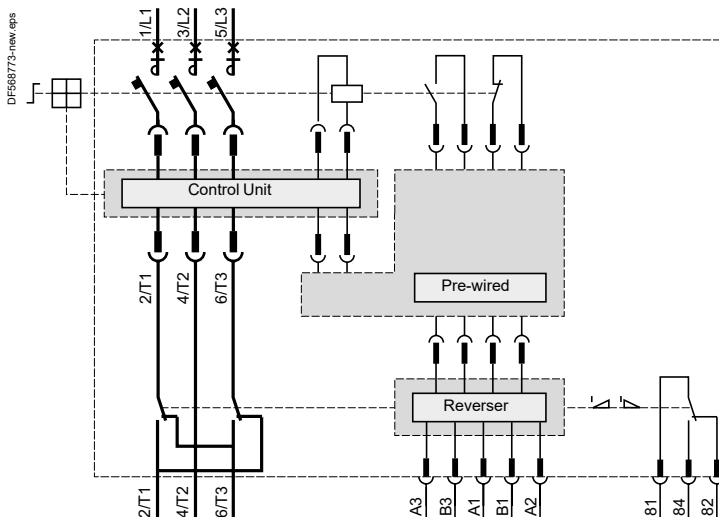
With control unit LUCC

Connection of a single-phase motor

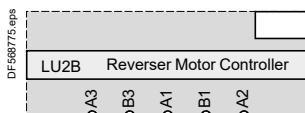


LU2B

Reversing



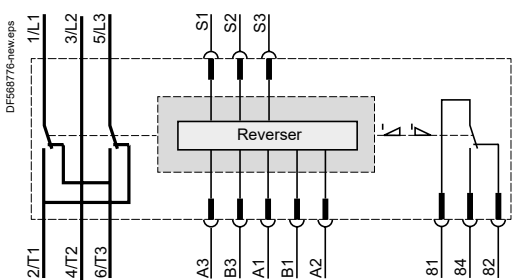
Control terminal block



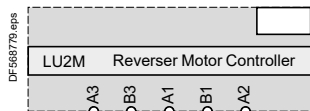
Ultra motor starters

Reverser blocks

LU2M

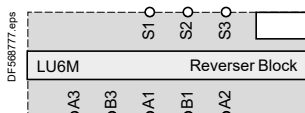


Control terminal block

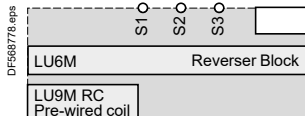


LU6M

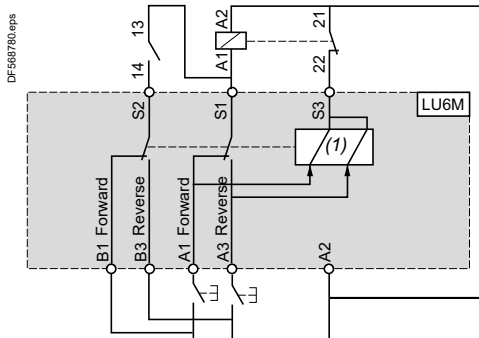
Control terminal blocks



With pre-wired connector LU9MRC



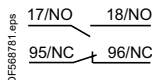
Basic scheme



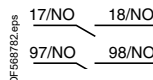
- S1 Start next stage
- S2 Electrical interlocking
- S3 Maintaining contact
- B1 Maintain forward running
- B3 Maintain reverse running
- A1 Pulse forward running
- A2 Common
- A3 Pulse reverse running
- (1) Electronically operated bistable electromagnet.

Add-on contact blocks

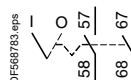
LUA1C11



LUA1C20

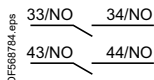


LUA8E20



Add-on contact modules

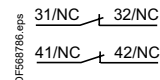
LUFN20



LUFN11



LUFN02



TeSys Control

Ultra motor starters - Terminal identifications

Schemes ⁽¹⁾

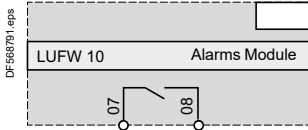


References:
p. A4/18, A4/27

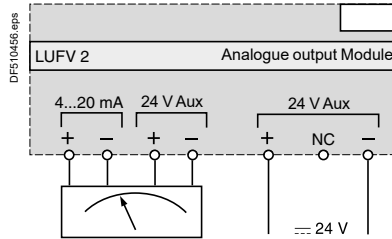
Characteristics:
p. A4/48 to A4/53

Function modules

Alarm LUFW10



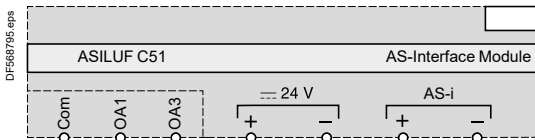
Connection of a motor load indicator module LUFV2



Communication modules

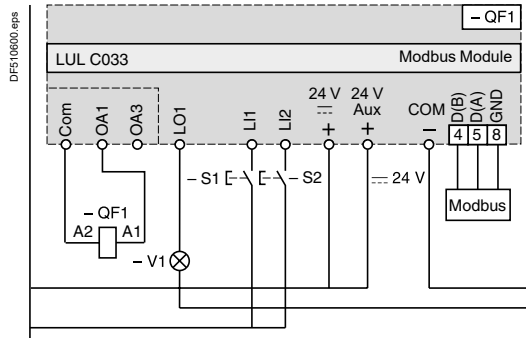
Communication module ASILUFC51

Without pre-wired coil connection



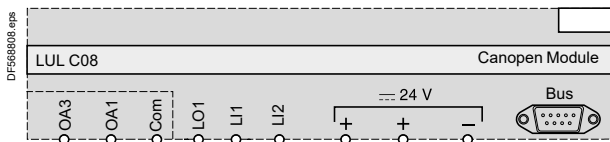
Control via Modbus communication module LULC033

Without pre-wired coil connection



CANopen communication module LULC08

Without pre-wired coil connection



(1) For more details please refer to the Instruction Sheet.

Ultra
motor
starters

TeSys Control

Ultra motor starters - Terminal identifications

Schemes ⁽¹⁾

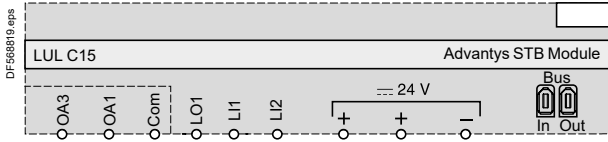


References:
p. A4/24, A4/30

Characteristics:
p. A4/49 to A4/53

Communication modules (continued)

Advantys STB communication module LULC15 Without pre-wired coil connection



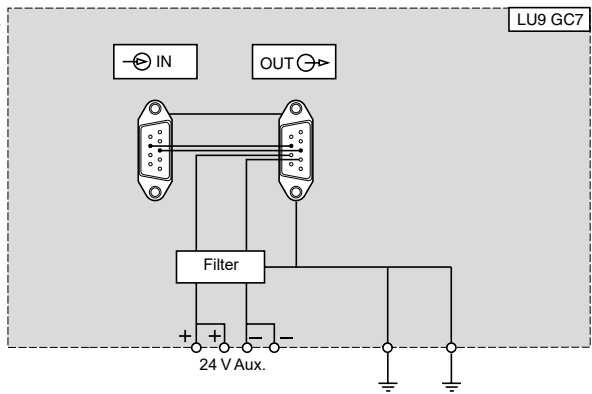
Parallel wiring modules

Without pre-wired coil connection



- 1 Forward running
- 2 Reverse running
- 3 Output common
- 4 Selector in position ⤴
- 5 Pole state
- 6 Reserved
- 7 Fault
- 8 Input common

PROFIBUS DP power supply module LU9GC7



Ultra motor starters

⁽¹⁾ For more details please refer to the Instruction Sheet.

TeSys Control

Ultra motor starters - Terminal identifications

Schemes



References:
p. A4/24 to A4/31

Dimensions:
p. A4/59 to A4/63

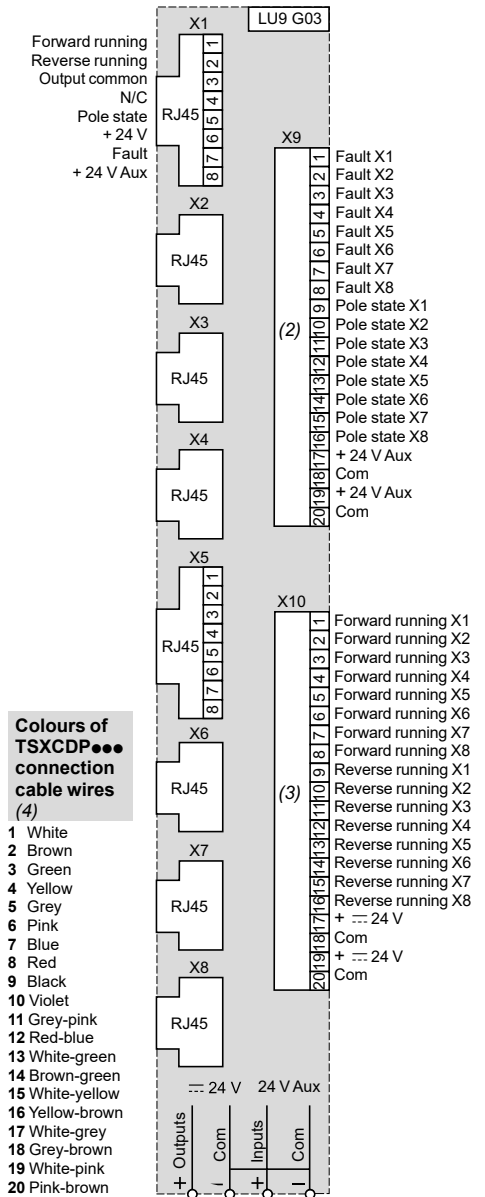
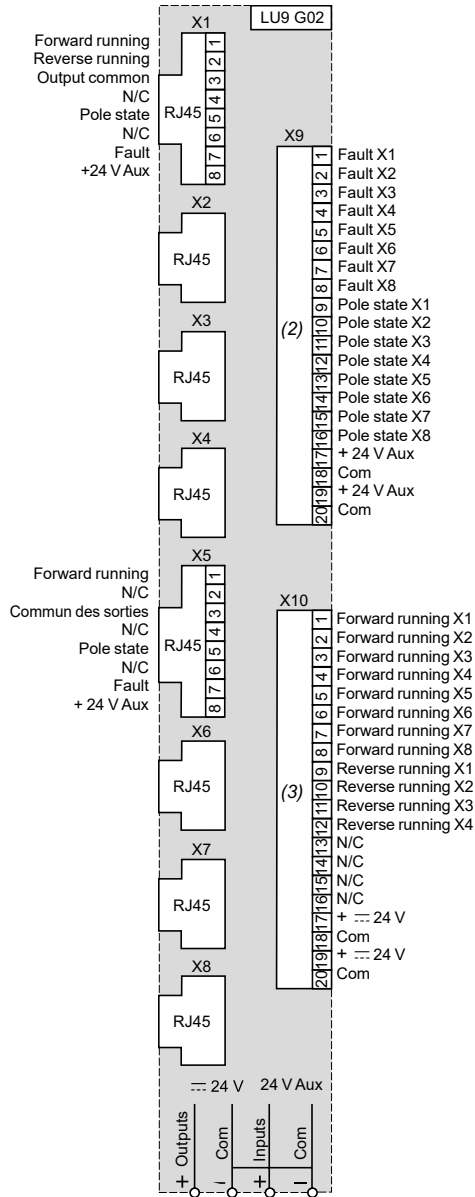
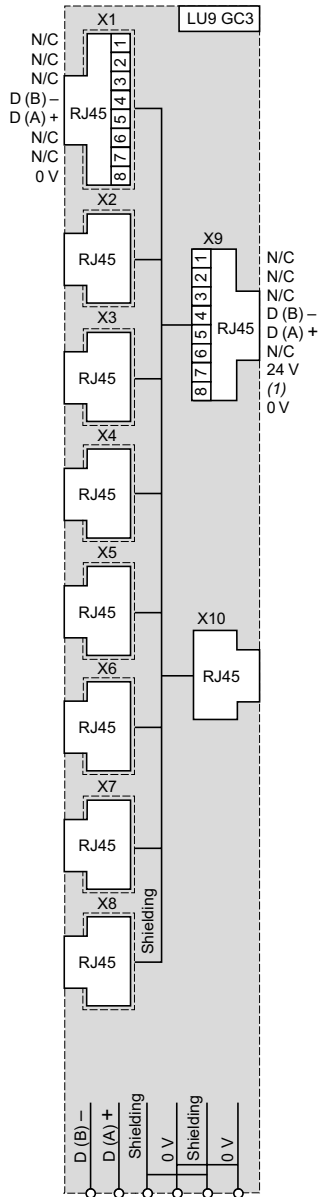
Communication modules (continued)

Wiring hub and splitter boxes

Modbus hub LU9GC3

Parallel wiring splitter box LU9G02

Parallel wiring splitter box LU9G03



Colours of TSXCDP... connection cable wires (4)

- 1 White
- 2 Brown
- 3 Green
- 4 Yellow
- 5 Grey
- 6 Pink
- 7 Blue
- 8 Red
- 9 Black
- 10 Violet
- 11 Grey-pink
- 12 Red-blue
- 13 White-green
- 14 Brown-green
- 15 White-yellow
- 16 Yellow-brown
- 17 White-grey
- 18 Grey-brown
- 19 White-pink
- 20 Pink-brown

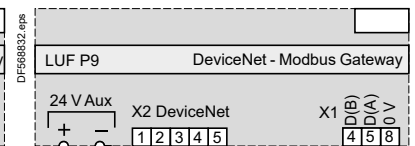
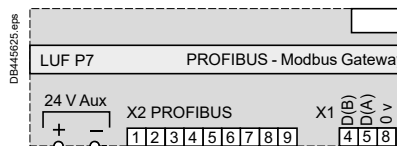
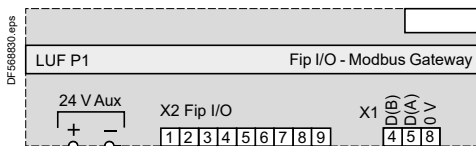
- (1) Not connected on connectors X1 to X8. Only present on RJ45 IN and OUT connectors.
- (2) 20-way HE10 input connector.
- (3) 20-way HE10 output connector.
- (4) Wire colours and corresponding HE10 connector pin numbers.

Gateways

LUF P1

LUF P7

LUF P9



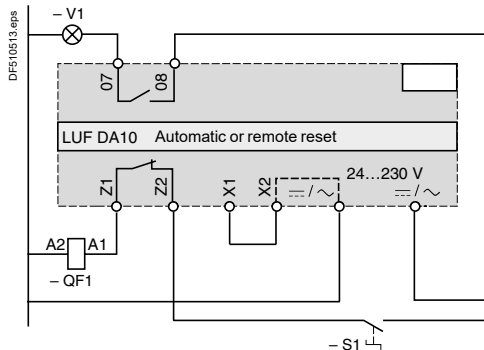


References:
p. A4/15 to A4/19

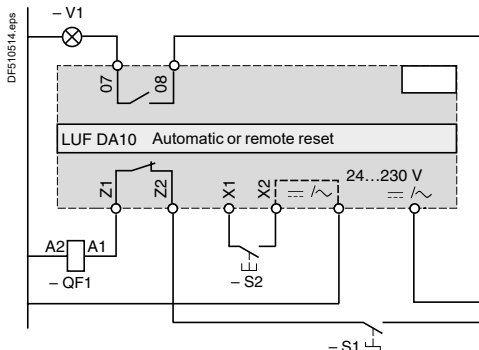
Non-reversing starter-controllers LUB

Connection of thermal overload fault signalling modules LUFDA10

Automatic reset

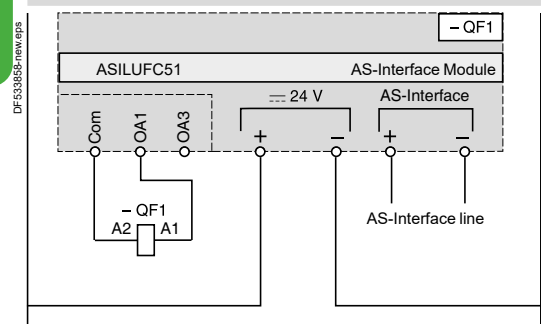


Remote reset

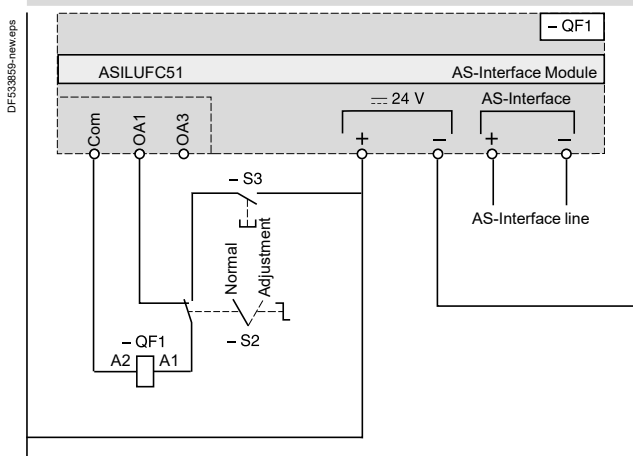


Control by communication modules ASILUFC51

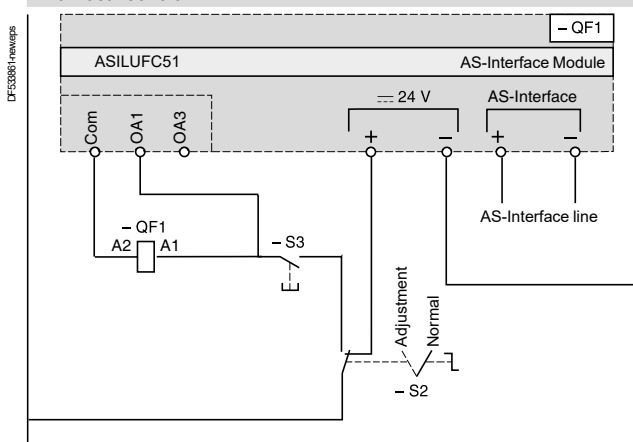
Without pre-wired coil connection



Without pre-wired coil connection
With local control



Without pre-wired coil connection
With local control



TeSys Control

Ultra motor starters - Non-reversing basic applications

Schemes

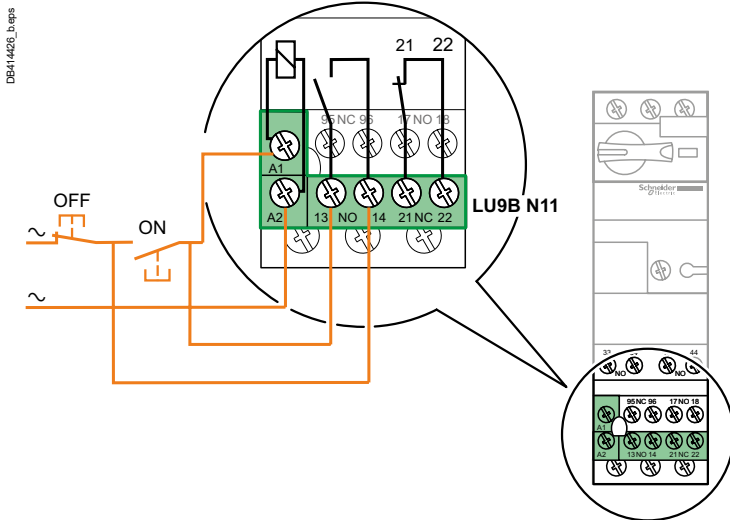


References:
p. A4/15 to A4/18

Standard or advanced power base

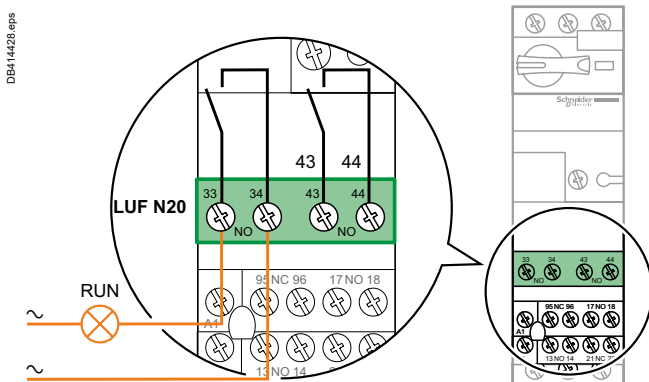
ON/OFF control (1 direction of rotation)

Push buttons wiring

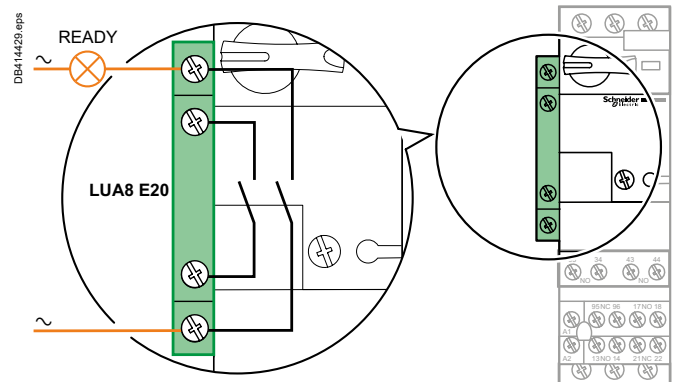


ON indication

"Motor RUN" indicator wiring

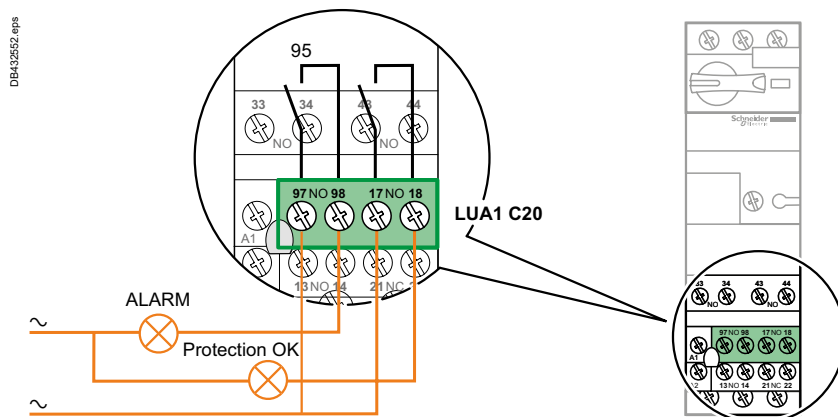


"Motor starter READY" indicator wiring



ALARM indication

Protection device status indicator wiring



Ultra
motor
starters

TeSys Control

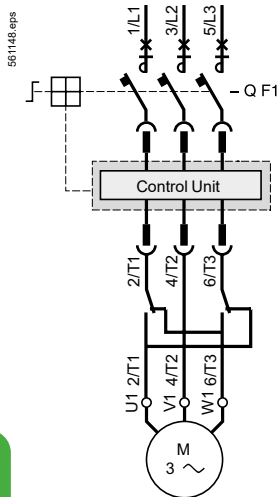
Ultra motor starters - Reversing basic applications

Schemes

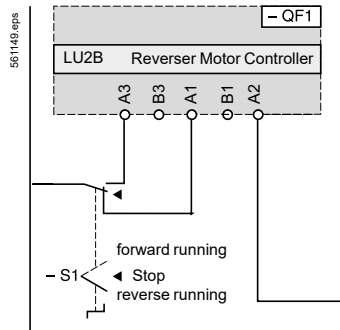


References:
p. A4/15 to A4/27

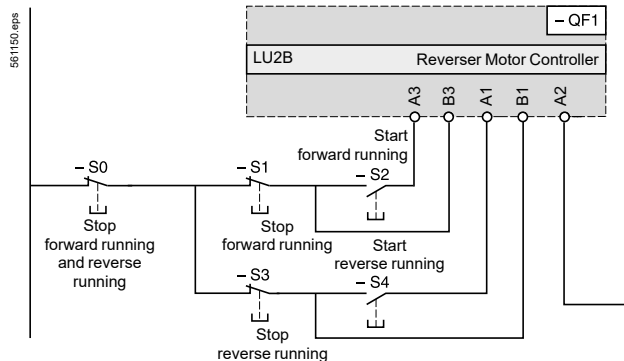
Reversing starter-controllers LUB



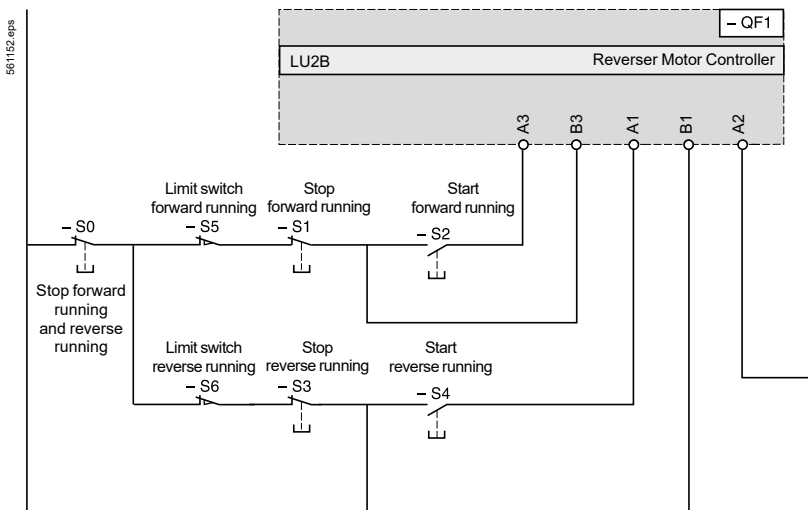
2-wire control via 3-position switch



3-wire control, pulsed start with maintaining contact

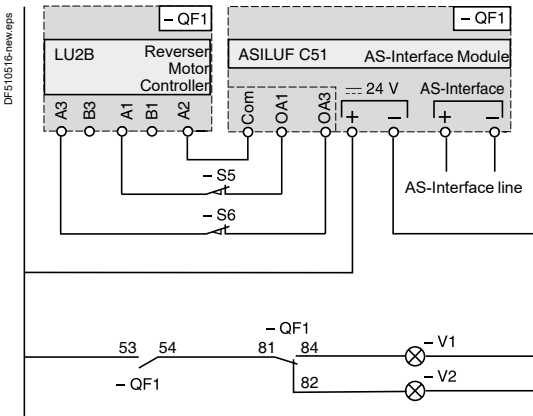


3-wire control, pulsed start with maintaining contact and limit switches



Control by communication modules ASILUFC51

Without pre-wired coil connection
With running direction pilot lights and limit switches



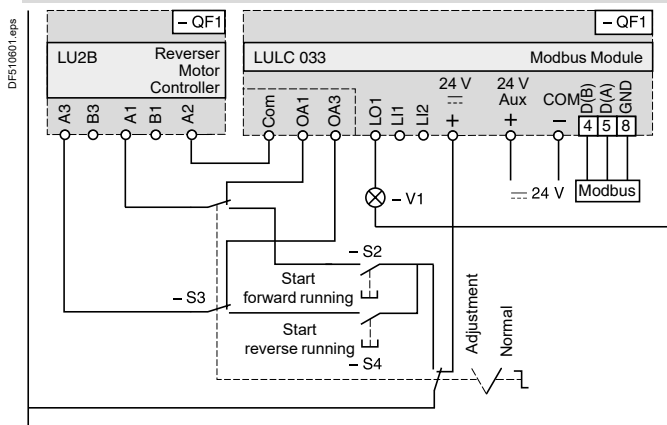


References:
p. A4/15

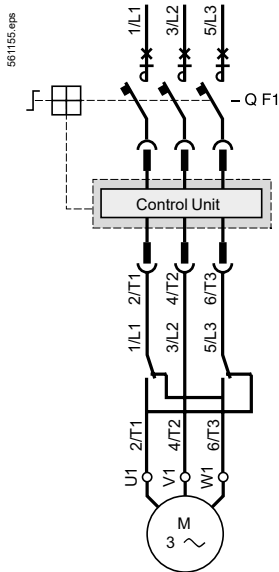
Reversing starter controllers LU2B (continued)

Control via Modbus communication module LULC033

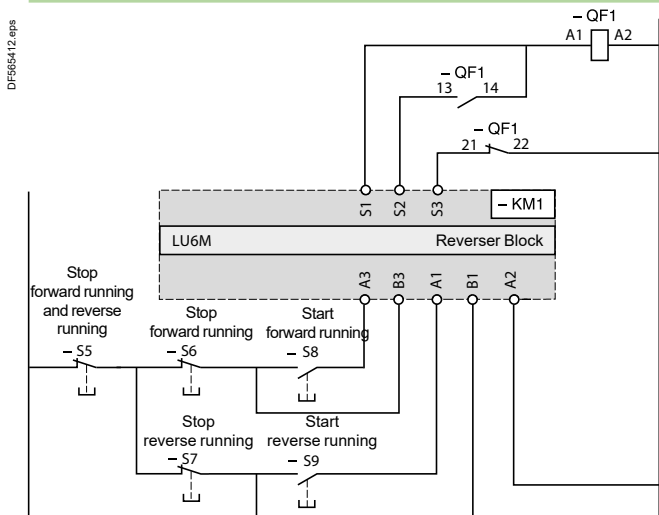
Without pre-wired coil connection. With local control



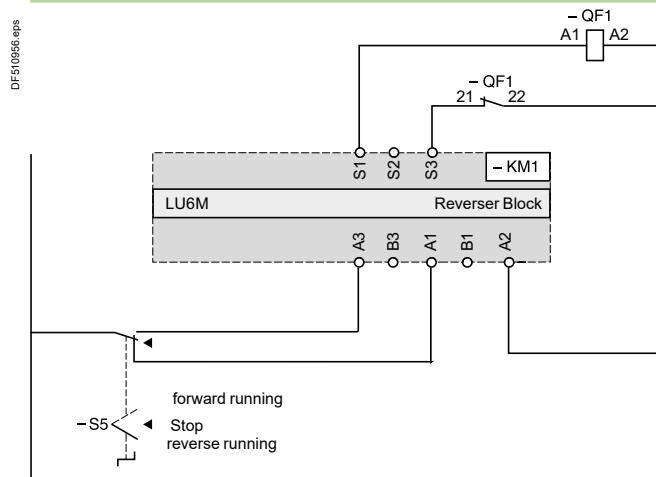
Reversing starter-controllers LUB + LU6M



3-wire control, pulsed start with maintaining contact



2-wire control via 3-position switch



TeSys Control

Ultra motor starters - Reversing basic applications

Schemes

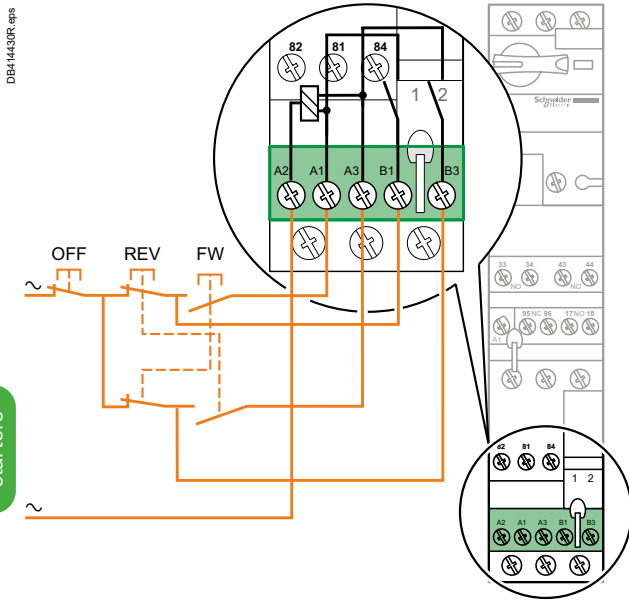


References:
p. A4/15 to A4/18

Power base with vertical mounting reverser block

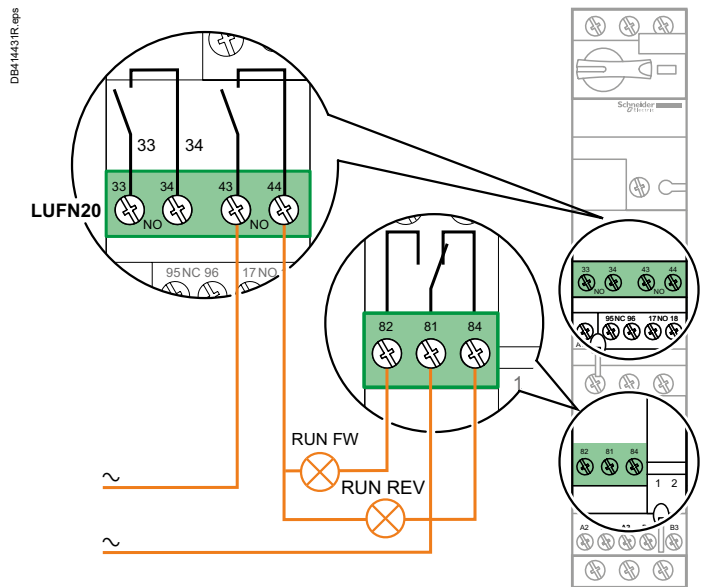
FW/REV/OFF control (2 directions of rotation)

Push buttons wiring



FW/REV control

FW, REV indicators wiring



TeSys Control

Altistart U01 Soft starter

Characteristics



References:
p. A4/36

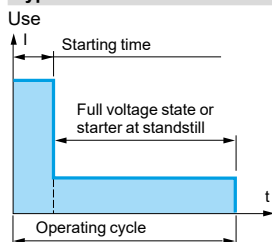
Dimensions:
p. A4/71

Schemes:
p. A4/72 to A4/75

Ultra
motor
starters

Environmental characteristics		ATSU01N2●●LT	
Type of starter			
Conformity to standards		Altistart U01 electronic starters have been developed to conform to the strictest international standards and the recommendations relating to electrical industrial control devices (IEC, EN), in particular standard IEC/EN 60947-4-2.	
Electromagnetic compatibility EMC		CISPR 11 level B, IEC 60947-4-2, level B	
	Conducted and radiated emissions	IEC 1000-3-2, IEC 1000-3-4	
	Harmonics	EN 50082-2, EN 50082-1	
	EMC immunity	IEC 61000-4-2 level 3	
	Electrostatic discharge	IEC 61000-4-3 level 3	
	Immunity to radiated radio-electrical interference	IEC 61000-4-4 level 4	
	Immunity to electrical transients	IEC 61000-4-5 level 3	
	Voltage/current impulse	IEC 61000-4-6 level 3	
	Conducted and radiated emissions	IEC 61000-4-11	
	Immunity to conducted interference caused by radio-electrical fields	IEC 61000-4-12 level 3	
	Damped oscillating waves		
CE marking		The starters carry CE marking in accordance with the European low voltage directives IEC/EN 60947-4-2.	
Product certifications		UL, CSA, C-Tick and CCC	
Degree of protection		IP 20	
Degree of pollution		2 conforming to IEC/EN 60947-4-2	
Vibration resistance		1.5 mm peak to peak from 3 to 13 Hz, 1 gn from 13 to 150 Hz, conforming to IEC/EN 60068-2-6	
Shock resistance		15 gn for 11 ms conforming to IEC/EN 60068-2-27	
Relative humidity		5...95 % without condensation or dripping water conforming to IEC 60068-2-3	
Ambient temperature around the unit		Storage	°C -25...+70 conforming to IEC/EN 60947-4-2
		Operation	°C -10...+40 without derating, up to 50°C with current derating of 2 % per °C above 40°C
Maximum operating altitude		m	1000 without derating (above this, derate the current by 2.2 % per additional 100 m)
Operating position		10°	
Maximum permanent angle in relation to the normal vertical mounting position			

Electrical characteristics		ATSU01N2●●LT	
Type of starter			
Category of use		Conforming to IEC 60947-4-2	
Rated operating voltage		3-phase ~ voltage	
		V	200 - 10 % to 480 + 10 %
Frequency		Hz	50 - 5 % to 60 + 5 %
Output voltage		Maximum 3-phase voltage equal to line supply voltage	
Control supply voltage		24 V ~, 100 mA ±10 %	
Rated operating current		A	6...32
Adjustable starting time		s	1...10
Adjustable deceleration time		s	1...10
Starting torque		%	30... 80 % of DOL motor starting torque
Type of starter		ATSU	
Control power supply consumption		24 V ~, 65 mA	
Power dissipated		At full load at end of starting	
		W	1.5
		W	61.5
		W	91.5
		W	121.5
		W	222.5
		W	322.5
Type of starter		ATSU01N206LT to ATSU01N222LT	
Use		ATSU01N232LT	
Starting time		s	1
		s	5
		s	10
Maximum number of cycles per hour			100
			20
			10
			50
			10
			5



TeSys Control

Altistart U01 Soft starter

Characteristics



References:
p. A4/36

Dimensions:
p. A4/71

Schemes:
p. A4/72 to A4/75

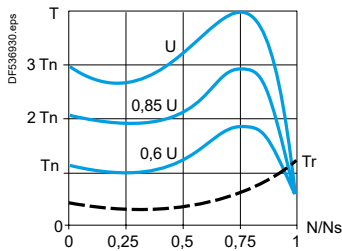
Electrical characteristics (continued)

Logic input power supply (electrically isolated between power and control) + 24 V, COM		24 V \pm 10 % Isolated Max. current 100 mA
Logic inputs LI1, LI2, BOOST Stop, run and boost on start-up functions		Logic inputs with impedance 27 k Ω ; 24 V power supply (U max 40 V) Max. current 8 mA State 0 if U < 5 V and I < 0.2 mA State 1 if U > 13 V and I > 0.5 mA
Logic output LO1 End of starting signal		Open collector logic output: External 24 V power supply (minimum 6 V, maximum 30 V) Max. current 200 mA
Relay output R1AR1C		Normally open (N/O) contact Minimum switching capacity: 10 mA for 6 V $\overline{\text{---}}$ Maximum switching capacity on inductive load (cos φ = 0.5 and L/R = 20 ms): 2 A for 250 V \sim or 30 V $\overline{\text{---}}$ (AC-15) Maximum operating voltage 440 V
LED signalling	Green LED	Starter powered up
	Yellow LED	Nominal voltage reached

Connections (maximum connection capacity and tightening torque)

Power circuit			Connection to \varnothing 4 mm screw clamps	
Flexible wire without cable end	1 conductor	mm ²	1.5...10	8 AWG
	2 conductors	mm ²	1.5...6	10 AWG
Flexible wire with cable end	1 conductor	mm ²	1...6	10 AWG
	2 conductors	mm ²	1...6	10 AWG
Rigid wire	1 conductor	mm ²	1...10	8 AWG
	2 conductors	mm ²	1...6	10 AWG
Tightening torque		N.m	1.9...2.5	
Control circuit			Screw connector	
Flexible wire without cable end	1 conductor	mm ²	0.5...2.5	14 AWG
	2 conductors	mm ²	0.5...1.5	16 AWG
Flexible wire with cable end	1 conductor	mm ²	0.5...1.5	16 AWG
	2 conductors	mm ²	0.5...1.5	16 AWG
Rigid wire	1 conductor	mm ²	0.5...2.5	14 AWG
	2 conductors	mm ²	0.5...1	17 AWG
Tightening torque		N.m	0.5	

Torque characteristics (typical curves)



The diagram opposite shows the torque/speed characteristic of a cage motor in relation to the supply voltage.
The torque varies in line with the square of the voltage at a fixed frequency. The gradual increase in the voltage prevents the instantaneous current peak on power-up.

TeSys Control

Altistart U01 Soft starter

Dimensions

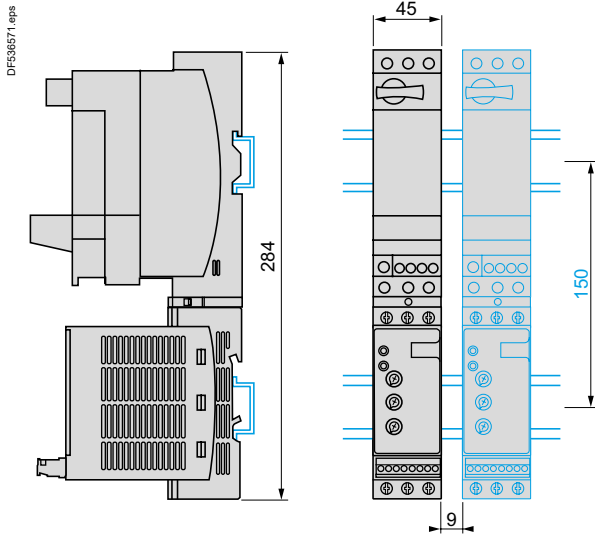


References:
p. A4/36

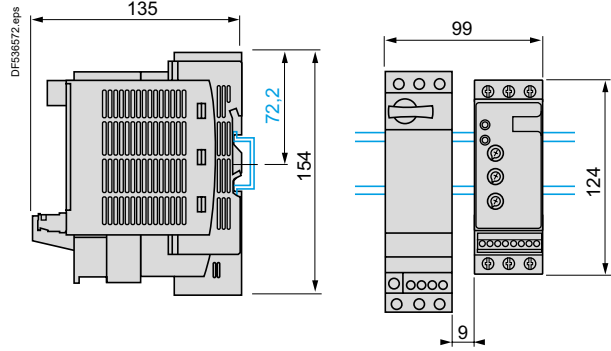
Characteristics:
p. A4/69 and A4/70

Schemes:
p. A4/72 to A4/75

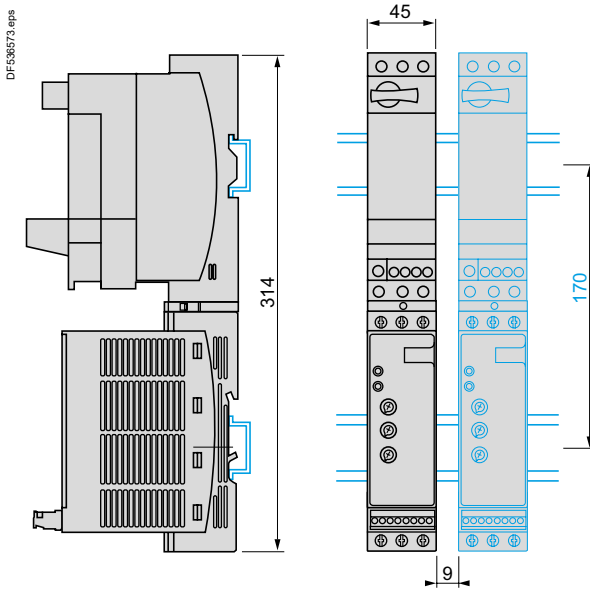
Ultra combination (non-reversing power base) and ATSU01N206LT to ATSU01N212LT
Mounting on \perp (35 mm) rail with VW3G4104 connector



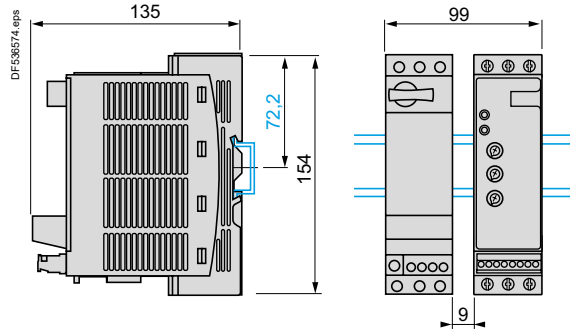
Ultra combination (non-reversing or reversing power base) and ATSU01N206LT to ATSU01N212LT
Side by side mounting



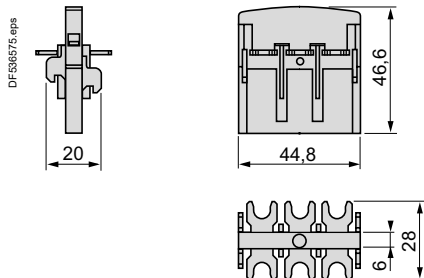
Ultra combination (non-reversing power base) and ATSU01N222LT to ATSU01N232LT
Mounting on \perp (35 mm) rail with VW3G4104 connector



Ultra combination (non-reversing or reversing power base) and ATSU01N222LT to ATSU01N232LT
Side by side mounting



VW3G4104 connector



Ultra motor starters



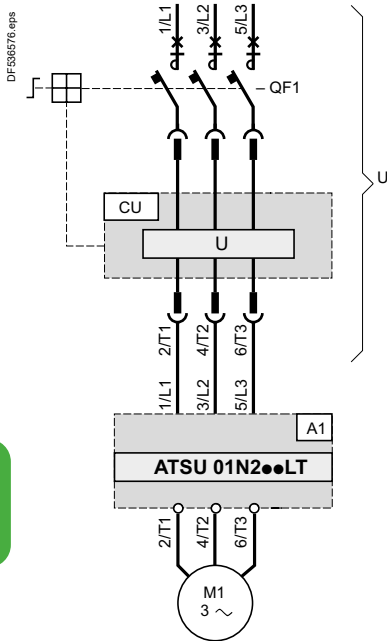
References:
p. A4/36

Characteristics:
p. A4/69 and A4/70

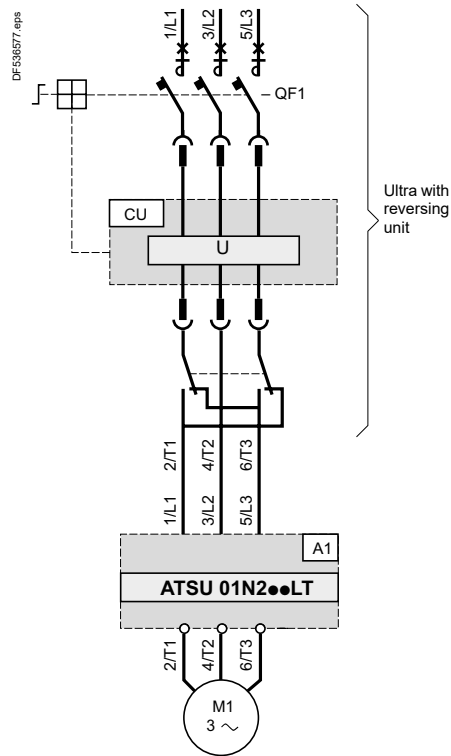
Dimensions:
p. A4/71

ATSU01N2●●LT soft start/soft stop units

Power wiring



Power wiring with reversing unit



Ultra
motor
starters

Compatible components

Code	Description
A1	Soft start/soft stop unit
QF1	Ultra controller-starter
CU	Ultra control unit

TeSys Control

Altistart U01 Soft starter

Schemes



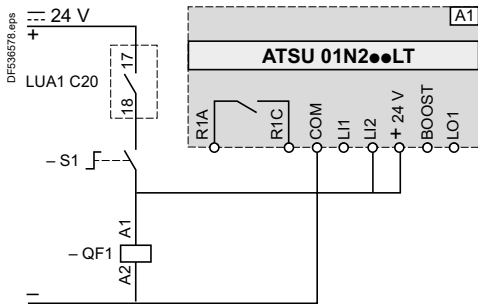
References:
p. A4/36

Characteristics:
p. A4/69 and A4/70

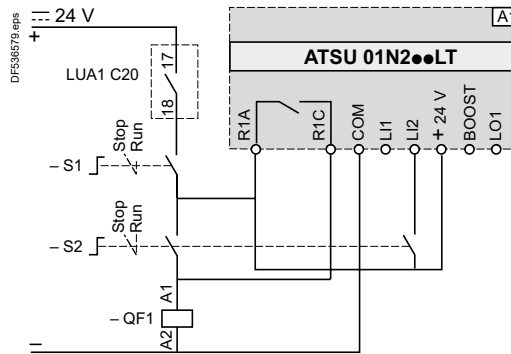
ATSU01N2●●LT soft start/soft stop units (continued)

Automatic 2-wire control

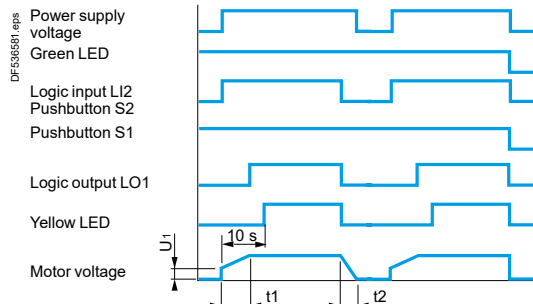
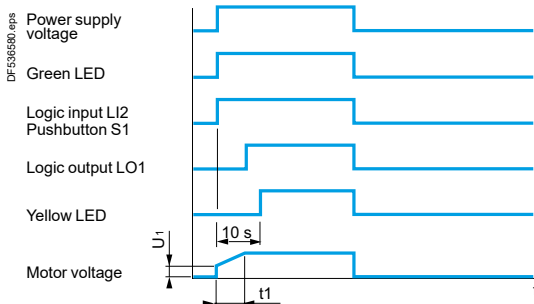
Without deceleration



With and without deceleration



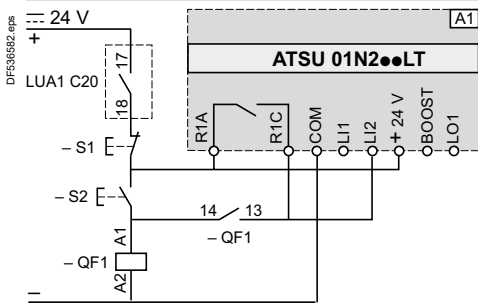
Functional diagrams



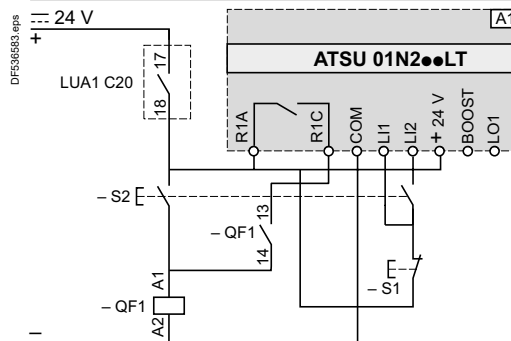
Ultra
motor
starters

Automatic 3-wire control

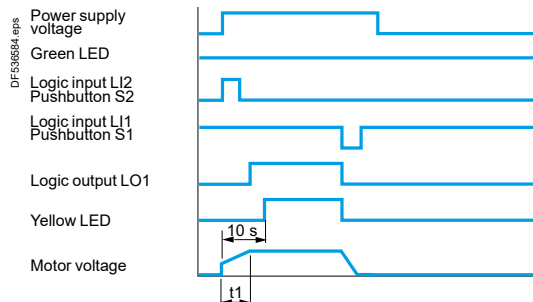
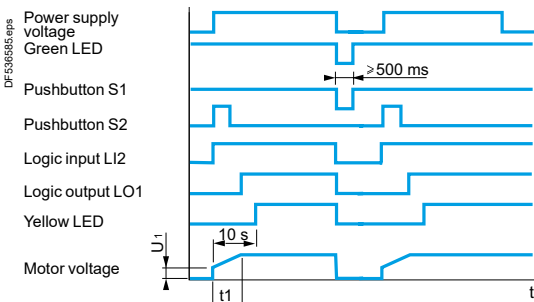
Without deceleration



With deceleration



Functional diagrams



A1: Soft start/soft stop unit

S1, S2: XB4B or XB5B pushbuttons

QF1: Ultra controller-starter

t1: Acceleration time can be controlled by a potentiometer

t2: Deceleration time can be controlled by a potentiometer

U_r: Starting time can be controlled by a potentiometer

TeSys Control

Altistart U01 Soft starter

Schemes



References:
p. A4/36

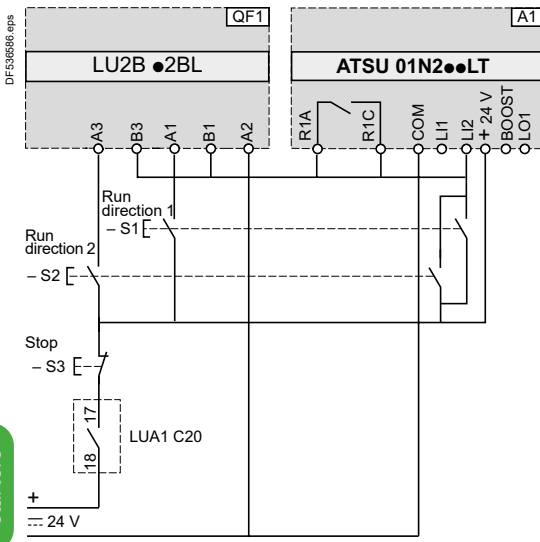
Characteristics:
p. A4/69 and A4/70

Dimensions:
p. A4/71

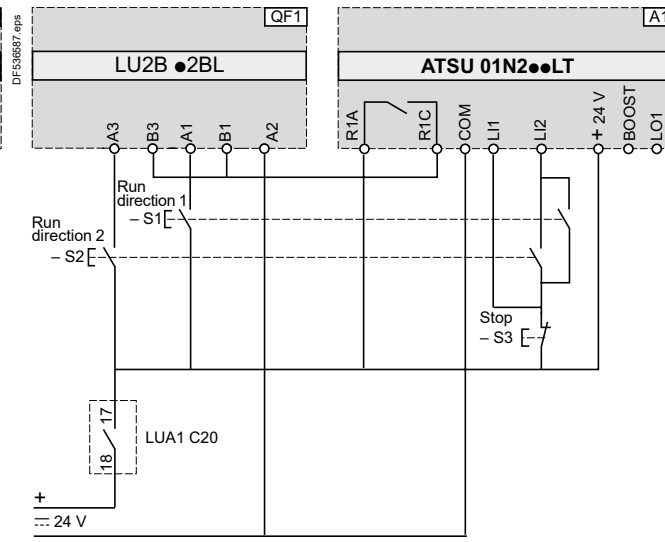
ATSU01N2●●LT soft start/soft stop units (continued)

Automatic 3-wire control, with reversing unit

Without deceleration



With deceleration



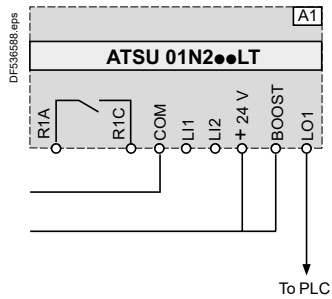
QF1: Ultra controller-starter with reversing unit
A1: Soft start/soft stop unit

S1, S2, S3: XB4B or XB5B pushbuttons
S3: minimum depression time 500 ms

QF1: Ultra controller-starter with reversing unit
A1: Soft start/soft stop unit

S1, S2, S3: XB4B or XB5B pushbuttons

Boost on starting and end of starting signal



A1: Soft start/soft stop unit

Ultra
motor
starters

TeSys Control

Altistart U01 Soft starter

Schemes



References:
p. A4/36

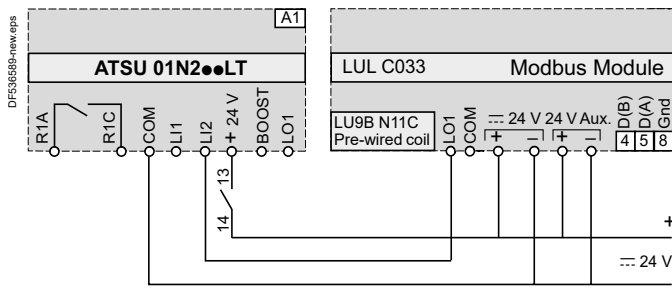
Characteristics:
p. A4/69 and A4/70

Dimensions:
p. A4/71

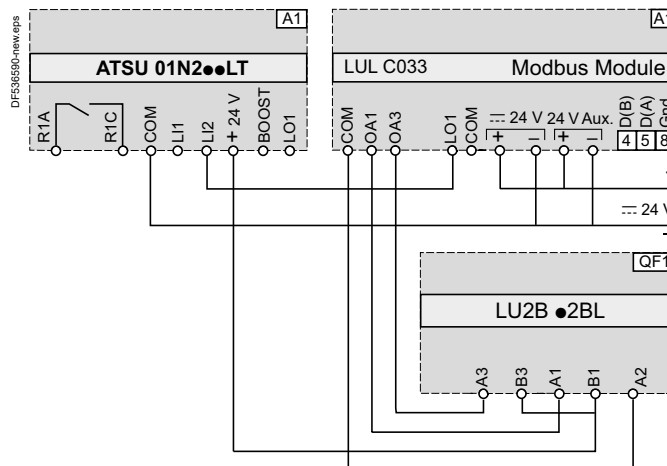
ATSU01N2●●LT soft start/soft stop units (continued)

Automatic control with Modbus communication module, with and without deceleration

Without reversing unit



With reversing unit



Function	Register	Bit	Value
Powering down U and ATSU			
-	704	0	0
Automatic control without deceleration			
Run	700	0	1
Stop	704	0	0
Automatic control with deceleration			
Run	700	0	1
Soft stop	700	0	0

Function	Register	Bit	Value
Powering up U and ATSU			
Forward	704	0	1
Reverse	704	1	1
Powering down U and ATSU			
Forward	704	0	0
Reverse	704	1	0
Automatic control without deceleration			
Run	700	0	1
Stop forward	704	0	0
Stop reverse	704	1	0
Automatic control with deceleration (forward or reverse)			
Run	700	0	1
Soft stop	700	0	0

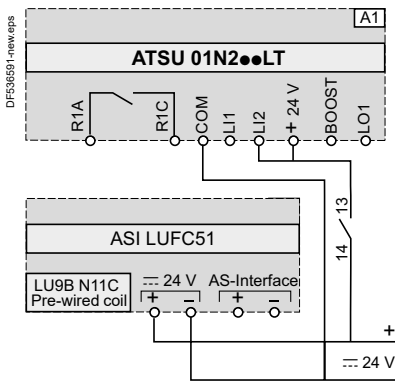
A1: Soft start/soft stop unit

A1: Soft start/soft stop unit

QF1: Ultra controller-starter with reversing unit

Automatic control with AS-Interface communication module, without deceleration

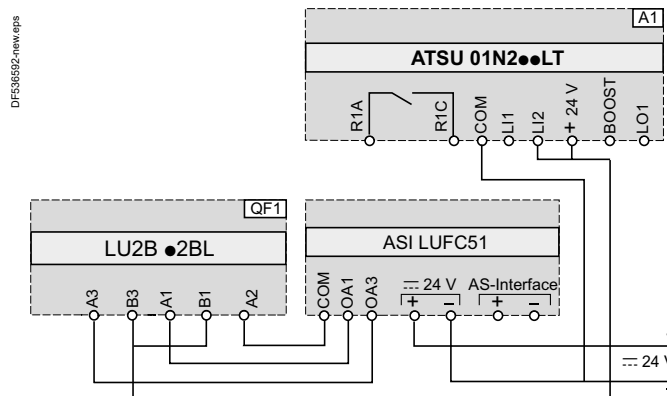
Without reversing unit



Function	Bit	Value
Power-up and automatic control without deceleration		
Run	D0	1
Stop	D0	0

A1: Soft start/soft stop unit

With reversing unit



Function	Bit	Value
Power-up and automatic control without deceleration		
Run forward	D0	1
Stop	D0	0
Run reverse	D1	1
Stop	D1	0

A1: Soft start/soft stop unit

QF1: Ultra controller-starter with reversing unit

Ultra
motor
starters

Coordination between protection and control components**Type of information****Page**

Types of coordination, according to the standard currents in the circuit to be considered

A5/3

Selection of the coordination type

A5/4

AC-3e Coordination Tables**AC-3e category**

A5/5

Suggested coordinated Direct-On-Line motor starter combinations

Fuses + Contactor + Overload relay

A5/5

Thermal magnetic circuit breaker + Contactor

A5/11

Magnetic circuit breaker + Contactor + Overload relay

A5/18

Suggested coordinated Star-Delta motor starter combinations

Fuses + Contactors + Overload relay

A5/27

Thermal magnetic circuit breaker + Contactors

A5/31

Magnetic circuit breaker + Contactors + Overload relay

A5/37

Suggested coordinated Resistive load protection and control

Fuses + Contactors

A5/44

Thermal magnetic circuit breaker + Contactors

A5/45

Suggested coordinated TeSys island motor starter combinations

Protection Components / Starters - Coordination - IEC

A5/46

Protection Components / Starters - SCCR Ratings – UL

A5/57

AC-3 Coordination Tables**AC-3 category**

A5/59

Suggested coordinated Direct-On-Line motor starter combinations

Fuses + Contactor + Overload relay

A5/59

Thermal magnetic circuit breaker + Contactor

A5/65

Magnetic circuit breaker + Contactor + Overload relay

A5/72

Suggested coordinated Star-Delta motor starter combinations

Fuses + Contactor + Overload relay

A5/81

Thermal magnetic circuit breaker + Contactors

A5/85

Magnetic circuit breaker + Contactors + Overload relay

A5/90

Suggested coordinated TeSys island motor starter combinations

Protection Components / Starters - Coordination - IEC	A5/94
Protection Components / Starters - SCCR Ratings – UL	A5/105

Contactors: Utilisation categories – Standard characteristics – Selection tables per categorie

Definition: utilisation categories : AC-1, AC-2, AC-3, etc...	A5/107
Definition: contactor standard characteristics	A5/108
Contactor selection tables per utilisation category	A5/110

Contactors for specific application – Design information

Selection of contactors for lighting circuits	A5/124
Selection of contactors for heating circuits	A5/130
Selection of contactors for switching primaries of 3P LV/LV transformers	A5/132
Selection of contactors for switching 3P capacitor banks (factor correction)	A5/133
Selection of contactors auto-transformer starting	A5/134
Contactors for rotor circuits of slip-ring motors	A5/136
Design of long distance remote control for contactors	A5/138
Current of asynchronous squirrel cage motors at nominal load	A5/142

Standards – Protection against contact – Protective treatments

International standards and certifications	A5/143
Protection against accidental direct contacts / IP codes	A5/145

Type 1 and type 2 coordination according to the standard

The standard defines tests at different levels of current; the purpose of these tests is to place the equipment in extreme conditions.

The standard defines 2 types of coordination, according to the condition of the components after testing:

- type 1,**
- type 2.**

To determine the type of coordination, the standard requires that the behaviour of the equipment be tested under overload and short-circuit conditions for 3 fault current values, covering overload and short-circuit conditions.

Type 1 coordination

Type 1 coordination requires that in a short-circuit condition, the contactor or starter must not present any danger to personnel or installations and must not be able to resume operation without repair or the replacement of parts.

Type 2 coordination

Type 2 coordination requires that in a short-circuit condition, the contactor or starter must not present any danger to personnel or installations and must subsequently be able to resume operation. The risk of contact welding is permissible; in this case, the manufacturer must indicate measures to be taken regarding maintenance of the equipment.

Type 2 coordination increases reliability of operation.

Current values

Current "Ico" (overload $I < 10 I_n$)

The thermal overload relay associated with the contactor provides protection against this type of fault, up to a value I_{co} (see curve) defined by the manufacturer.

Standard IEC 60947-4-1 specifies the 2 current values to be used for checking coordination between the thermal overload relay and the short-circuit protection device:

- at $0.75 I_{co}$ only the thermal overload relay must trip,
- at $1.25 I_{co}$ the short-circuit protection device must operate.

Current "r" (low level short-circuit $10 < I < 50 I_n$)

The main cause of this type of fault is the deterioration of insulating materials. Standard IEC 60947-4-1 defines an intermediate short-circuit current "r". This test current makes it possible to check whether the protection device is providing protection against low-level short-circuits.

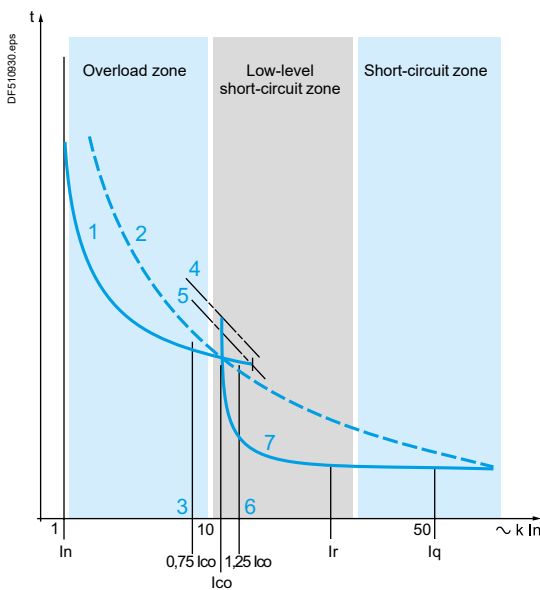
Operational current I_e (AC-3) (A)	Current "r" (kA)
$I_e \leq 16$	1
$16 < I_e \leq 63$	3
$63 < I_e \leq 125$	5
$125 < I_e \leq 315$	10
$315 < I_e \leq 630$	18
$630 < I_e \leq 1000$	30

Current "Iq" (short-circuit $>$ current "r")

This type of fault corresponds to a dead short and is relatively rare. It can be caused by a connection error during maintenance work. Short-circuit protection is provided by fast operating devices.

Standard IEC 60947-4-1 defines a current "Iq". The coordination tables supplied by Schneider Electric are based on a current "Iq" that is generally ≥ 50 kA.

(1) SCPD: short-circuit protection device.



- 1 Thermal overload relay curve.
- 2 Fuse.
- 3 Tripping of thermal overload relay only.
- 4 Thermal limit of the circuit breaker.
- 5 Thermal overload relay limit.
- 6 Current broken by the SCPD (1).
- 7 Circuit breaker magnetic trip.

Selection

No coordination

Considerable risks to both persons and equipment.

Not authorised by standards:

- NF C 15-100 and IEC 60364-1, article 133-1 (installation regulations),
- EN/IEC 60204-1, article 7 (electrical equipment in machines),
- IEC 60947-4-1, article 8.2.5. (starters)

Type 1 coordination

The most frequently used solution.

- Equipment costs are lower.
- Reliability of operation is not a requirement.
- Before restarting, it may be necessary to repair the motor starter.

Consequences:

- significant amount of machine downtime,
- skilled maintenance personnel required to repair, check, obtain supplies.

Example: air conditioning in commercial premises.

Type 2 coordination

This solution ensures reliability of operation.

Consequences:

- reduced machine downtime,
- reduced maintenance after a short-circuit.

Example: escalators.

Total coordination

With this solution, no damage or mis-adjustment is permissible and reliability of operation is guaranteed.

Consequences:

- immediate return to service,
- no special precautions required.

Examples: smoke extraction, fire-fighting pumps.

Coordination: Fuses (NFC, DIN type aM) + Contactor + Overload relay

22 to 55 kW at 400/415, 440 and 500 V: type 1 coordination											
Standard power ratings of 3-phase motors 50/60 Hz in category AC-3e						Fuse carrier ⁽¹⁾ (basic block)	aM fuses		Contactor	Thermal overload relay class 10	
400/415 V		440 V		500 V		Reference	Size	Rating	Reference ⁽²⁾	Reference	Setting range
P	I _e	P	I _e	P	I _e			A			A
kW	A	kW	A	kW	A						A
22	41	22	39	30	44	GS2J	22 x 58	50	LC1D50A	LRD350	37...50
-	-	30	51.5	-	-	GS2J	22 x 58	80	LC1D50A	LRD365	48...65
-	-	-	-	37	53	GS2J	22 x 58	80	LC1D65A	LRD365	48...65
30	55	37	60	-	-	GS2J	22 x 58	80	LC1D65A	LRD365	48...65
-	-	-	-	45	64	GS2J	22 x 58	80	LC1D80	LRD3361	55...70
37 ⁽³⁾	66	45	73	-	-	GS2J	22 x 58	100	LC1D80	LRD3363	63...80
45	80	-	-	55	78	GS2J	22 x 58	100	LC1D95	LRD3365	80...104

⁽¹⁾ For breaking under load, add a rotary switch-disconnector.⁽²⁾ For reversing operation, replace the prefix LC1 with LC2.⁽³⁾ 400 V maximum.

Coordination: Fuses (NFC, DIN type aM) + Contactor + Overload relay

0.06 to 90 kW at 400/415, 440 and 500 V: type 2 coordination											
Standard power ratings of 3-phase motors 50/60 Hz in category AC-3e						Switch-disconnector	aM fuses		Contactor	Thermal overload relay class 10	
400/415 V		440 V		500 V		Reference	Size	Rating	Reference ⁽¹⁾	Reference	Setting range
P	I _e	P	I _e	P	I _e			A			A
kW	A	kW	A	kW	A						
0.06	0.2	0.06	0.19	–	–	GS1DD	10 x 38	2	LC1D09	LRD02	0.16...0.25
–	–	0.09	0.28	–	–	GS1DD	10 x 38	2	LC1D09	LRD03	0.25...0.4
0.09	0.3	–	–	–	–						
0.12	0.44	0.12	0.37	–	–	GS1DD	10 x 38	2	LC1D09	LRD03	0.25...0.4
0.18	0.6	0.18	0.55	–	–						
–	–	0.25	0.76	–	–	GS1DD	10 x 38	2	LC1D09	LRD04	0.4...0.63
0.25	0.85	–	–	0.37	0.88						
0.37	1.1	0.37	1	0.55	1.2						
0.55	1.5	0.55	1.36	0.75	1.5	GS1DD	10 x 38	2	LC1D09	LRD05	0.63...1
0.75	1.9	0.75	1.7	–	–						
–	–	1.1	2.5	1.1	2.2	GS1DD	10 x 38	4	LC1D09	LRD07	1.6...2.5
1.1	2.7	–	–	1.5	2.9						
1.5	3.6	1.5	3.3	2.2	3.9	GS1DD	10 x 38	4	LC1D09	LRD08	2.5...4
2.2	4.9	2.2	4.5	3	5.2	GS1DD	10 x 38	6	LC1D09	LRD10	4...6
3	6.5	3	5.9	4	6.8	GS1DD	10 x 38	8	LC1D09	LRD12	5.5...8
4	8.5	4	7.8	5.5	9.2	GS1DD	10 x 38	10	LC1D09	LRD14	7...10
5.5	11.5	5.5	10.5	7.5	12.4	GS1DD	10 x 38	16	LC1D12	LRD16	9...13
7.5	15.5	7.5	14.1	9	14.7	GS1DD	10 x 38	16	LC1D18	LRD21	12...18
–	–	9	16.7	–	–	GS2F	14 x 51	20	LC1D25	LRD21	12...18
9	18.4	11	20	11	17.6						
11	22	–	–	15	23	GS2F	14 x 51	25	LC1D25	LRD22	16...24
15	29	15	27	18.5	28	GS2F	14 x 51	32	LC1D32	LRD32	23...32
18.5	35	18.5	32	22	33	GS2F	14 x 51	40	LC1D40A	LRD340	30...40
22	41	22	39	30	44	GS2J	22 x 58	50	LC1D50A	LRD350	37...50
–	–	30	50	–	–	GS2J	22 x 58	80	LC1D65A	LRD365	48...65
–	–	–	–	37	53	GS2J	22 x 58	80	LC1D65A	LRD365	48...65
30	55	37	60	–	–	GS2J	22 x 58	80	LC1D65A	LRD365	48...65
–	–	–	–	45	64	GS2J	22 x 58	80	LC1D95	LRD3361	55...70
37	66	45	73	–	–	GS2J	22 x 58	100	LC1D80	LRD3363	63...80
45	80	–	–	–	–	GS2J	22 x 58	100	LC1D115A	LRD4365	80...104
–	–	–	–	55	78	GS2J	22 x 58	100	LC1D115A	LR9G115	28...115
55	97	55	88.2	75	105.6	GS2L	T0	125	LC1D115A	LR9G115	28...115
75	132	75	125	90	128	GS2L	T0	160	LC1D150A	LR9G225	57...225

(1) For reversing operation, replace the prefix LC1 with LC2.

Coordination and standards

55 to 335 kW at 400/415 V: type 2 coordination								
Standard power ratings of 3-phase motors 50/60 Hz in category AC-3e			Switch-disconnector	aM fuses		Contactor	Electronic thermal overload relay	
400/415 V			Product type	Size	Rating	Product type	Product type	Ir setting ⁽¹⁾
P	I _e	I _q (max)						
kW	A	kA			A			A
55	97	80	GS2L	0	125	LC1G115	LR9G115	97
75	132	80	GS2L	0	160	LC1G150	LR9G225	132
90	160	80	GS2N	1	200	LC1G185	LR9G225	160
110	195	80	GS2N	1	250	LC1G225	LR9G225	195
132	230	80	GS2QQ	2	315	LC1G265	LR9G500	230
160	280	80	GS2QQ	2	400	LC1G330	LR9G500	280
200	350	80	GS2S	3	500	LC1G400	LR9G500	350
220	380	80	GS2S	3	500	LC1G500	LR9G500	380
250	430	80	GS2S	3	500	LC1G500	LR9G500	430
315	540	80	GS2S	3	630	LC1G630	LR9G630	540
335	575	80	GS2S	4	800	LC1G630	LR9G630	575

75 to 355 kW at 440 V: type 2 coordination								
Standard power ratings of 3-phase motors 50/60 Hz in category AC-3e			Switch-disconnector	aM fuses		Contactor	Electronic thermal overload relay	
440 V			Product type	Size	Rating	Product type	Product type	Ir setting ⁽¹⁾
P	I _e	I _q (max)						
kW	A	kA			A			A
75	115	80	GS2L	0	125	LC1G115	LR9G115	115
90	145	80	GS2L	0	160	LC1G150	LR9G225	145
110	177	80	GS2N	1	200	LC1G185	LR9G225	177
132	209	80	GS2N	1	250	LC1G225	LR9G225	209
160	255	80	GS2QQ	2	315	LC1G265	LR9G500	255
200	318	80	GS2QQ	2	400	LC1G330	LR9G500	318
220	343	80	GS2S	3	500	LC1G400	LR9G500	343
250	390	80	GS2S	3	500	LC1G500	LR9G500	390
315	490	80	GS2S	3	500	LC1G500	LR9G500	490
355	554	80	GS2S	3	630	LC1G630	LR9G630	554

65 to 375 kW at 500 V: type 2 coordination								
Standard power ratings of 3-phase motors 50/60 Hz in category AC-3e			Switch-disconnector	aM fuses		Contactor	Electronic thermal overload relay	
500 V			Product type	Size	Rating	Product type	Product type	Ir setting ⁽¹⁾
P	I _e	I _q (max)						
kW	A	kA			A			A
65	92	80	GS2L	0	125	LC1G115	LR9G115	92
90	128	80	GS2L	0	160	LC1G150	LR9G225	128
110	156	80	GS2N	1	200	LC1G185	LR9G225	156
132	184	80	GS2N	1	250	LC1G225	LR9G225	184
160	224	80	GS2QQ	2	315	LC1G265	LR9G500	224
200	280	80	GS2QQ	2	400	LC1G330	LR9G500	280
250	344	80	GS2S	3	500	LC1G400	LR9G500	344
295	405	80	GS2S	3	500	LC1G500	LR9G500	405
375	516	80	GS2S	3	630	LC1G630	LR9G630	516

⁽¹⁾ This setting is a general guidance, Ir should be adjusted according to motor characteristics and conditions of use.

0.75 to 90 kW at 690 V: type 2 coordination

Standard power ratings of 3-phase motors 50/60 Hz in category AC-3e			Switch-disconnector	aM fuses		Contactor	Thermal overload relay class 10	
690 V				Reference	Size		Rating	Reference
P	I _e	I _q (max)				Reference ⁽¹⁾		
kW	A	kA			A			A
0.75	1.1	80	GS2F	14 x 51	2	LC1D09	LRD06	1...1.6
1.1	1.6	80	GS2F	14 x 51	2	LC1D09	LRD06	1...1.6
1.5	2.2	80	GS2F	14 x 51	4	LC1D09	LRD07	1.6...2.5
2.2	2.9	80	GS2F	14 x 51	4	LC1D09	LRD08	2.5...4
3	4	80	GS2F	14 x 51	6	LC1D09	LRD08	2.5...4
4	5	80	GS2F	14 x 51	6	LC1D09	LRD10	4...6
5.5	7	80	GS2F	14 x 51	8	LC1D09	LRD12	5.5...8
7.5	9.3	80	GS2F	14 x 51	10	LC1D25	LRD16	9...13
11	13	80	GS2F	14 x 51	16	LC1D25	LRD16	9...13
15	16.5	80	GS2F	14 x 51	20	LC1D25	LRD22	16...24
18.5	21	80	GS2F	14 x 51	25	LC1D32	LRD22	16...24
22	25	80	GS2J	22 x 58	32	LC1D40A	LRD332	23...32
30	33	80	GS2J	22 x 58	40	LC1D40A	LRD340	30...40
37	40	80	GS2J	22 x 58	50	LC1D65A	LRD350	37...50
45	49	80	GS2J	22 x 58	63	LC1D80	LRD3357	37...50
55	57	80	GS2J	22 x 58	80	LC1D115A	LRD3359 + LA7D3058	48...65
75	77	80	GS2KK	T00	100	LC1D115A	LRD3363 + LA7D3058	63...80
90	93	80	GS2KK	T00	125	LC1D150A	LRD4365	80...104

55 to 500 kW at 690 V: type 2 coordination

Standard power ratings of 3-phase motors 50/60 Hz in category AC-3e			Switch-disconnector	aM fuses		Contactor	Thermal overload relay	
690 V				Product type	Size		Rating	Product type
P	I _e	I _q (max)						
kW	A	kA			A			A
55	57	80	GS2J	22 x 58	80	LC1G115	LR9G225	57
75	77	80	GS2KK	00	100	LC1G115	LR9G225	77
90	93	80	GS2KK	00	125	LC1G150	LR9G225	93
110	113	80	GS2KK	00	160	LC1G185	LR9G225	113
132	134	80	GS2L	0	160	LC1G225	LR9G225	134
160	162	80	GS2N	1	200	LC1G225	LR9G225	162
200	203	80	GS2N	1	250	LC1G265	LR9G500	203
220	223	80	GS2QQ	2	250	LC1G330	LR9G500	223
250	250	80	GS2QQ	2	315	LC1G330	LR9G500	250
315	313	80	GS2QQ	2	400	LC1G400	LR9G500	313
355	354	80	GS2QQ	3	500	LC1G500	LR9G500	354
500	493	80	GS2S	3	630	LC1G630	LR9G630	493

(1) For reversing operation, replace the prefix LC1 with LC2.

(2) This setting is a general guidance, I_r should be adjusted according to motor characteristics and conditions of use.

0.18 to 55 kW at 400/415 and 690 V: type 2 coordination											
Standard power ratings of 3-phase motors 50/60 Hz in category AC-3e						Switch- disconnecter	aM fuses		Contactor	Electronic thermal overload relay	
400/415 V			690 V				Reference	Size		Rating	Reference
P	I _e	I _q	P	I _e	I _q						
kW	A	kA	kW	A	kA			A			A
0.18	0.6	100	-	-	-	GS1DD	10 x 38	2	LC1D09	LR9D02	0.4...2.0
0.25	0.85	100	-	-	-	GS1DD	10 x 38	2	LC1D09	LR9D02	0.4...2.0
0.37	1.1	100	-	-	-	GS1DD	10 x 38	2	LC1D09	LR9D02	0.4...2.0
0.55	1.5	100	-	-	-	GS1DD	10 x 38	2	LC1D09	LR9D02	0.4...2.0
0.75	1.9	100	-	-	-	GS1DD	10 x 38	4	LC1D09	LR9D02	0.4...2.0
1.1	2.7	100	-	-	-	GS1DD	10 x 38	4	LC1D18	LR9D08	1.6...8.0
1.5	3.6	100	-	-	-	GS1DD	10 x 38	4	LC1D18	LR9D08	1.6...8.0
2.2	4.9	100	-	-	-	GS1DD	10 x 38	6	LC1D18	LR9D08	1.6...8.0
3	6.5	100	-	-	-	GS1DD	10 x 38	8	LC1D18	LR9D32	6.4...32
4	8.5	100	-	-	-	GS1DD	10 x 38	10	LC1D18	LR9D32	6.4...32
5.5	11.5	100	-	-	-	GS1DD	10 x 38	16	LC1D25	LR9D32	6.4...32
7.5	15.5	50	-	-	-	GS1DD	10 x 38	16	LC1D25	LR9D32	6.4...32
11	22	50	-	-	-	GS2F	14 x 51	25	LC1D25	LR9D32	6.4...32
15	29	50	-	-	-	GS2J	22 x 58	32	LC1D65A	LR9D110S	22...110
18.5	35	50	-	-	-	GS2J	22 x 58	40	LC1D65A	LR9D110S	22...110
22	41	50	-	-	-	GS2J	22 x 58	50	LC1D65A	LR9D110S	22...110
45 ⁽¹⁾	80	100	-	-	-	GS2N	T 1	100	LC1D150A	LR9G115	28...115
55 ⁽¹⁾	97	100	-	-	-	GS2N	T 1	125	LC1D150A	LR9G115	28...115
-	-	-	0.37	0.64	100	GS2F	14 x 51	2	LC1D09	LR9D02	0.4...2.0
-	-	-	0.55	0.87	100	GS2F	14 x 51	2	LC1D09	LR9D02	0.4...2.0
-	-	-	0.75	1.1	100	GS2F	14 x 51	2	LC1D09	LR9D02	0.4...2.0
-	-	-	1.1	1.6	100	GS2F	14 x 51	2	LC1D25	LR9D08	1.6...8.0
-	-	-	1.5	2.2	100	GS2F	14 x 51	4	LC1D25	LR9D08	1.6...8.0
-	-	-	2.2	2.9	100	GS2F	14 x 51	4	LC1D25	LR9D08	1.6...8.0
-	-	-	3	4	100	GS2F	14 x 51	6	LC1D25	LR9D08	1.6...8.0
-	-	-	4	5	100	GS2F	14 x 51	6	LC1D25	LR9D08	1.6...8.0
-	-	-	5.5	7	50	GS2F	14 x 51	8	LC1D25	LR9D32	6.4...32
-	-	-	7.5	9.3	50	GS2F	14 x 51	10	LC1D25	LR9D32	6.4...32
-	-	-	11	13	50	GS2F	14 x 51	16	LC1D32	LR9D32	6.4...32
-	-	-	15	16.5	50	GS2F	14 x 51	20	LC1D32	LR9D32	6.4...32
-	-	-	18.5	21	50	GS2F	14 x 51	25	LC1D65A	LR9D32	6.4...32
-	-	-	22	25	50	GS2F	14 x 51	32	LC1D65A	LR9D32	6.4...32
-	-	-	30	33	100	GS2F	14 x 51	40	LC1D95	LR9D110S	22...110
-	-	-	37	40	100	GS2F	14 x 51	50	LC1D95	LR9D110S	22...110
-	-	-	45	49	100	GS2J	22 x 58	63	LC1D95	LR9D110S	22...110

(1) Ratings valid up to 400 V AC only.

Coordination
and
standards

Coordination: Fuses (BS) + Contactor + Overload relay

Coordination and standards

0.06 to 80 kW at 400/415, 440 and 500 V: type 2 coordination											
Standard power ratings of 3-phase motors 50/60 Hz in category AC-3e						Switch-disconnector-fuse Reference	BS fuses		Contactor Reference ⁽¹⁾	Thermal overload relay	
400/415 V		440 V		500 V			Size	Rating		Reference	Reference
P	I _e	P	I _e	P	I _e	Reference	Size	Rating	Reference ⁽¹⁾	Reference	Setting range
kW	A	kW	A	kW	kA						
0.06	0.22	0.06	0.19	–	–	GS1DDB	A1	NIT 2	LC1D09	LRD02	0.16...0.25
–	–	0.09	0.28	–	–	GS1DDB	A1	NIT 2	LC1D09	LRD03	0.25...0.4
0.09	0.36	–	–	–	–	GS1DDB	A1	NIT 2	LC1D09	LRD03	0.25...0.4
0.12	0.44	0.12	0.37	–	–	GS1DDB	A1	NIT 2	LC1D09	LRD04	0.4...0.63
0.18	0.6	0.18	0.55	–	–	GS1DDB	A1	NIT 2	LC1D09	LRD05	0.63...1
–	–	0.25	0.76	–	–	GS1DDB	A1	NIT 4	LC1D09	LRD06	1...1.6
0.25	0.85	0.37	1	0.37	0.88	GS1DDB	A1	NIT 6	LC1D09	LRD06	1...1.6
0.37	1.1	0.55	1.36	0.55	1.2						
0.55	1.5	0.75	1.7	0.75	1.5						
0.75	1.9	–	–	–	–	GS1DDB	A1	NIT 10	LC1D09	LRD07	1.6...2.5
–	–	–	–	1.5	2.9	GS1DDB	A1	NIT 10	LC1D09	LRD08	2.5...4
1.5	3.6	1.5	3.3	2.2	3.9	GS1DDB	A1	NIT 16	LC1D09	LRD08	2.5...4
2.2	4.9	2.2	4.5	3	5.2	GS1DDB	A1	NIT 16	LC1D09	LRD10	4...6
3	6.5	3	5.9	4	6.8	GS1DDB	A1	NIT 20	LC1D09	LRD12	5.5...8
4	8.5	4	7.8	5.5	9.2	GS1DDB	A1	NIT 20	LC1D09	LRD14	7...10
5.5	11.5	5.5	10.5	7.5	12.4	GS1DDB	A1	NIT 20M25	LC1D12	LRD16	9...13
7.5	15.5	7.5	14.1	9	14.7	GS1DDB	A1	NIT 20M32	LC1D18	LRD21	12...18
9	18.4	9	16.7	–	–	GS2GB	A2	TIA 32M35	LC1D18	LRD21	12...18
11	22	11	20	11	17.6	GS2GB	A2	TIA 32M50	LC1D25	LRD22	16...24
–	–	–	–	15	23						
15	29	15	27	–	–	GS2GB	A2	TIA 32M63	LC1D32	LRD32	23...32
18.5	35	18.5	32	–	–	GS2GB	A3	TIS 63M80	LC1D40A	LRD340	25...40
22	41	22	39	–	–	GS2GB	A3	TIS 63M80	LC1D50A	LRD350	37...50
30	55	30	50	–	–	GS2GB	A3	TIS 63M100	LC1D65A	LRD365	48...65
–	–	37	60	–	–	GS2GB	A3	TIS 63M100	LC1D65A	LRD365	48...65
–	–	45	73	45	64	GS2LLB	A4	TCP 100M125	LC1D80	LRD3363	63...80
45	80	–	–	55	78	GS2LLB	A4	TCP 100M125	LC1D95	LRD3365	80...104
55	97	–	–	–	–	GS2LLB	A4	TCP 100M160	LC1D115A	LR9G115	28...115
–	–	55	90	–	–	GS2LLB	A4	TCP 100M160	LC1D115A	LR9G115	28...115
–	–	–	–	80	113	GS2LB	B2	TF 200	LC1D150A	LR9G225	57...225
80	141.3	80	128.4	–	–	GS2LB	B2	TF 200M250	LC1D150A	LR9G225	57...225

(1) For reversing operation, replace the prefix LC1 with LC2.

Coordination: Thermal magnetic circuit breaker + Contactor

0.06 to 55 kW at 400/415, 440 and 500 V: type 1 coordination											
Standard power ratings of 3-phase motors 50/60 Hz in category AC-3e									Circuit breaker	Contactor	
400/415 V			440 V			500 V			Reference <i>References in italics are available in CEE zone only</i>	Setting range of thermal trips	Reference ⁽²⁾
P	I _e	I _q ⁽¹⁾	P	I _e	I _q ⁽¹⁾	P	I _e	I _q ⁽¹⁾		A	
kW	A	kA	kW	A	kA	kW	A	kA			
0.06	0.2	50	0.06	0.19	50	–	–	–	GV2ME02 GV2ME02AP	0.16...0.25	LC1K06 or LC1D09
0.09	0.3	50	0.09	0.28	50	–	–	–	GV2ME03 GV2ME03AP	0.25...0.40	LC1K06 or LC1D09
0.12	0.44	50	0.12	0.37	50	–	–	–	GV2ME04 GV2ME04AP	0.40...0.63	LC1K06 or LC1D09
–	–	–	0.18	0.55	50	–	–	–			
0.18	0.6	50	0.25	0.76	50	–	–	–	GV2ME05 GV2ME05AP	0.63...1	LC1K06 or LC1D09
0.25	0.85	50	–	–	–	–	–	–			
0.37	1.1	50	0.37	1	50	0.37	0.88	50	GV2ME06 GV2ME06AP	1...1.6	LC1K06 or LC1D09
0.55	1.5	50	0.55	1.36	50	0.55	1.2	50	GV2ME06 GV2ME06AP	1...1.6	LC1K06 or LC1D09
–	–	–	–	–	–	0.75	1.5	50	GV2ME06 GV2ME06AP	1...1.6	LC1K06 or LC1D09
0.75	1.9	50	0.75	1.7	50	–	–	–	GV2ME07 GV2ME07AP	1.6...2.5	LC1K06 or LC1D09
–	–	–	–	–	–	1.1	2.2	50	GV2ME07 GV2ME07AP		
1.1	2.7	50	1.1	2.5	50	1.5	2.9	50	GV2ME08 GV2ME08AP	2.5...4	LC1K06 or LC1D09
1.5	3.6	50	1.5	3.3	50	2.2	3.9	50	GV2ME08 GV2ME08AP		
2.2	4.9	50	2.2	4.5	50	–	–	–	GV2ME10 GV2ME10AP	4...6.3	LC1K06 or LC1D09
–	–	–	–	–	–	3	5.2	50	GV2ME10 GV2ME10AP		
–	–	–	3	5.9	50	–	–	–	GV2ME14 GV2ME14AP	6...10	LC1K06 or LC1D09
3	6.5	50	–	–	–	4	6.8	10	GV2ME14 GV2ME14AP	6...10	LC1K09 or LC1D09
4	8.5	50	4	7.8	15	5.5	9.2	10	GV2ME14 GV2ME14AP		
5.5	11.5	15	5.5	10.5	8	7.5	12.4	6	GV2ME16 GV2ME16AP	9...14	LC1K12 or LC1D12
7.5	15.5	15	7.5	13.7	8	9	13.9	6	GV2ME20 GV2ME20AP	13...18	LC1D18
–	–	–	9	14.1	8	–	–	–	GV2ME20 GV2ME20AP		
9	18.1	15	11	20	6	11	17.6	4	GV2ME21 GV2ME21AP	17...23	LC1D25
11	22	15	–	–	–	15	23	4	GV2ME22 GV2ME22AP	20...25	LC1D25
15	29	10	15	27	6	18.5	28	4	GV2ME32 GV2ME32AP	24...32	LC1D32
18.5	35	50	18.5	32	50	22	33	10	GV3P40	30...40	LC1D40A
22	41	50	22	39	50	30	44	10	GV3P50	37...50	LC1D50A
30	55	50	30	50	50	37	53	10	GV3P65	48...65	LC1D65A
37	66	50	–	–	–	–	–	–	GV3P73	62...73	LC1D80A
–	–	–	37	60	70	45	64	30	GV4P80	40...80	LC1D65A
37	66	100	45	73	70	55	78	30	GV4P80	40...80	LC1D80
45	80	100	–	–	–	–	–	–	GV4P115	65...115	LC1D95

(1) The breaking performance of circuit breakers **GV2ME** can be increased by adding a current limiter **GV1L3**.

(2) For reversing operation, replace the prefix LC1 with LC2.

Coordination: Thermal magnetic circuit breaker + Contactor

0.06 to 90 kW at 400/415, 440 and 500 V: type 2 coordination

Standard power ratings of 3-phase motors 50/60 Hz in category AC-3e									Circuit breaker	Setting range of thermal trips	Contactor Reference ⁽²⁾
400/415 V			440 V			500 V			Reference <i>References in italics are available in CEE zone only</i>	Setting range of thermal trips	Contactor Reference ⁽²⁾
P	I _e	I _q ⁽¹⁾	P	I _e	I _q ⁽¹⁾	P	I _e	I _q ⁽¹⁾			
kW	A	kA	kW	A	kA	kW	A	kA	A		
0.06	0.2	130	0.06	0.19	130	–	–	–	GV2P02 or GV2ME02 or GV2ME02AP	0.16...0.25	LC1D09
0.09	0.3	130	0.09	0.28	130	–	–	–	GV2P03 or GV2ME03 or GV2ME03AP	0.25...0.4	LC1D09
0.12	0.44	130	0.12	0.37	130	–	–	–	GV2P04 or GV2ME04 or GV2ME04AP	0.4...0.63	LC1D09
0.18	0.6	130	0.18	0.55	130	–	–	–	GV2P05 or GV2ME05 or GV2ME05AP	0.63...1	LC1D09
0.25	0.85	130	0.25	0.76	130	–	–	–	GV2P06 or GV2ME06 or GV2ME06AP	1...1.6	LC1D09
0.37	1.1	130	0.37	0.99	130	0.37	0.88	130	GV2P06 or GV2ME06 or GV2ME06AP	1...1.6	LC1D09
0.55	1.5	130	0.55	1.36	130	0.55	1.2	130	GV2P06 or GV2ME06 or GV2ME06AP	1...1.6	LC1D09
–	–	–	–	–	–	0.75	1.5	130	GV2P06 or GV2ME06 or GV2ME06AP	1...1.6	LC1D09
0.75	1.9	130	0.75	1.68	130	1.1	2.2	130	GV2P07 or GV2ME07 or GV2ME07AP	1.6...2.5	LC1D09
1.1	2.7	130	1.1	2.5	130	1.5	2.9	130	GV2P08 or GV2ME08 or GV2ME08AP	2.5...4	LC1D09
1.5	3.6	130	1.5	3.3	130	2.2	3.9	130	GV2P08 or GV2ME08 or GV2ME08AP	2.5...4	LC1D09
2.2	4.9	130	–	–	–	–	–	–	GV2P10 or GV2ME10 or GV2ME10AP	4...6.3	LC1D09
–	–	–	2.2	4.5	50	3	5.2	50	GV2ME10 or GV2ME10AP	4...6.3	LC1D09
–	–	–	2.2	4.5	130	–	–	–	GV2P10	4...6.3	LC1D09
–	–	–	–	–	–	3	5.2	130	GV2P10	4...6.3	LC1D09
3	6.5	130	3	5.9	130 or 50	–	–	–	GV2P14 or GV2ME14 or GV2ME14AP	6...10	LC1D09
4	8.5	130	–	–	50	–	–	–	GV2P14 or GV2ME14 or GV2ME14AP	6...10	LC1D09
–	–	–	4	7.8	15	4	6.8	10	GV2ME14 or GV2ME14AP	6...10	LC1D09
–	–	–	–	–	–	5.5	9.2	10	GV2ME14 or GV2ME14AP	6...10	LC1D09
–	–	–	–	–	–	4	6.8	50	GV2P14	6...10	LC1D12
–	–	–	4	7.8	130	5.5	9.2	50	GV2P14	6...10	LC1D12
5.5	11.5	130	5.5	10.5	50 or 8	7.5	12.4	42 or 6	GV2P16 or GV2ME16 or GV2ME16AP	9...14	LC1D25
–	–	–	7.5	14.1	50 or 8	9	13.9	42 or 6	GV2P16 or GV2ME16 or GV2ME16AP	9...14	LC1D25
7.5	15.5	50 or 15	9	16.9	20 or 8	–	–	–	GV2P20 or GV2ME20 or GV2ME20AP	13...18	LC1D25
9	18.1	50 or 15	11	20	20 or 6	11	17.6	10 or 6	GV2P21 or GV2ME21 or GV2ME21AP	17...23	LC1D25
11	22	50 or 15	–	–	–	–	–	–	GV2P22 or GV2ME22 or GV2ME22AP	20...25	LC1D25
–	–	–	–	–	–	15	23	10 or 6	GV2P22	20...25	LC1D32
15	29	50 or 10	15	27	20 or 6	18.5	28	10 or 4	GV2P32 or GV2ME32 or GV2ME32AP	24...32	LC1D32
18.5	35	50	–	–	–	–	–	–	GV3P40	30...40	LC1D50A
–	–	–	18.5	32	50	22	33	10	GV3P40	30...40	LC1D65A
22	41	50	–	–	–	–	–	–	GV3P50	37...50	LC1D50A
–	–	–	22	39	50	30	44	10	GV3P50	37...50	LC1D65A
30	55	50	30	50	50	–	–	–	GV3P65	48...65	LC1D65A
–	–	–	–	–	–	37	53	10	GV3P65	48...65	LC1D65A
37	66	50	–	–	–	–	–	–	GV3P73	62...73	LC1D80A
–	–	–	37	60	70	–	–	–	GV4P80	40...80	LC1D65A
37	66	100	45	73	70	⁽³⁾	⁽³⁾	⁽³⁾	GV4P80	40...80	LC1D65A
45	80	100	55	90	70	⁽³⁾	⁽³⁾	⁽³⁾	GV4P115	65...115	LC1D115A
55	97	100	–	–	–	⁽³⁾	⁽³⁾	⁽³⁾	GV4P115	65...115	LC1D115A
–	–	–	75	125	65	–	–	–	GV5P150H	70...150	LC1D150A
75	132	70	–	–	–	–	–	–	GV5P220	100...220	LC1D150A
–	–	–	90	146	65	–	–	–	GV5P220	100...220	LC1D150A

(1) The breaking performance of circuit breakers GV2P can be increased by adding a current limiter GV1L3.

(2) Combinations with circuit breaker GV2ME are type 2 coordinated only at 400/415 V and 440 V.

(3) Please consult your regional sales office.

Coordination and standards

Coordination: Thermal magnetic circuit breaker + Contactor

45 to 220 kW at 400/415 V: type 2 coordination (with TeSys GV4/GV5/GV6 circuit breakers)						
Standard power ratings of 3-phase motors 50/60 Hz in category AC-3e			Circuit breaker			Contactor
400/415 V			Product type ⁽¹⁾	Ir setting ⁽²⁾	Irm ⁽²⁾	Product type
P	Ie	Iq (max)		A	A	
kW	A	kA				
45	80	100	GV4P/GV4PE/GV4PEM115●	86	774	LC1G115
55	97	100	GV4P/GV4PE/GV4PEM115●	100	900	LC1G115
55	97	70	GV5P150●	100	1300	LC1G115
75	132	70	GV5P220●	140	1820	LC1G150
90	160	70	GV5P220●	170	2210	LC1G185
110	195	70	GV6P320●	200	2600	LC1G225
110	195	70	GV6P320●	200	2600	LC1G265
132	230	70	GV6P320●	240	3120	LC1G265
160	280	70	GV6P500●	300	3900	LC1G330
200	350	70	GV6P500●	380	4940	LC1G400
220	380	70	GV6P500●	400	5720	LC1G500

(1) Product type to be completed by replacing the ● with the breaking performance code:

Rated conditional short-circuit (kA)	GV4P/GV4PE/GV4PEM115●			GV5P150●/ 220● GV6P320●/ 500●	
Breaking performance code	B	N	S	F	H
400/415 V	25	50	100	36	70

45 to 400 kW at 400/415 V: type 2 coordination (with ComPact NSX/NS circuit breakers)						
Standard power ratings of 3-phase motors 50/60 Hz in category AC-3e			Circuit breaker			Contactor
400/415 V			Product type ⁽¹⁾	Ir setting ⁽²⁾	Irm ⁽²⁾	Product type
P	Ie	Iq (max)		A	A	
kW	A	kA				
45	80	130	NSX100● + MicroLogic 2.2 M	85	1105	LC1G115
55	97	130	NSX160● + MicroLogic 2.2 M ⁽³⁾	100	1300	LC1G115
75	132	130	NSX250● + MicroLogic 2.2 M ⁽³⁾	140	1820	LC1G150
90	160	130	NSX250● + MicroLogic 2.2 M ⁽³⁾	170	2210	LC1G185
110	195	130	NSX400● + MicroLogic 2.3 M ⁽³⁾	200	2600	LC1G225
132	230	130	NSX400● + MicroLogic 2.3 M ⁽³⁾	240	3120	LC1G265
160	280	130	NSX630● + MicroLogic 2.3 M ⁽³⁾	300	3900	LC1G330
200	350	130	NSX630● + MicroLogic 2.3 M ⁽³⁾	380	4940	LC1G400
220	380	130	NS800● + MicroLogic 5.0	400	5200	LC1G500
250	430	130	NS800● + MicroLogic 5.0	440	5720	LC1G500
300	500	130	NS800● + MicroLogic 5.0	560	5040	LC1G630
335	575	130	NS800● + MicroLogic 5.0	640	5760	LC1G630
355	610	130	NS800● + MicroLogic 5.0	640	5760	LC1G800
400	690	130	NS800● + MicroLogic 5.0	720	6480	LC1G800

(1) Product type to be completed by replacing the ● with the breaking performance code:

Rated conditional short-circuit (kA)	NSX100●/ NSX160●/ NSX250●/ NSX400●/ NSX630●					NS800●/ NS1000●
Breaking performance code	F	N	H	S	L	L
400/415 V	36	50	70	100	130	150

(2) This setting is a general guidance, Ir and Irm should be adjusted according to motor characteristics and conditions of use.

(3) Applicable also with MicroLogic 6.2 E-M and 6.3 E-M trip units.

Coordination: Thermal magnetic circuit breaker + Contactor

55 to 250 kW at 440 V: type 2 coordination (with TeSys GV4/GV5/GV6 circuit breakers)

Standard power ratings of 3-phase motors 50/60 Hz in category AC-3e			Circuit breaker			Contactor
440 V			Product type ⁽¹⁾	I _r setting ⁽²⁾	I _{rm} ⁽²⁾	Product type
P	I _e	I _q (max)				
kW	A	kA		A	A	
55	88	100	GV4P/GV4PE/GV4PEM115●	93	837	LC1G115
55	88	70	GV5P150●	90	1170	LC1G115
75	120	70	GV5P150●	130	1690	LC1G150
90	145	70	GV5P220●	150	1950	LC1G150
110	177	70	GV5P220●	185	2405	LC1G185
132	209	70	GV6P320●	210	2730	LC1G225
160	255	70	GV6P320●	260	3380	LC1G265
200	318	70	GV6P500●	320	4160	LC1G330
220	343	70	GV6P500●	350	4550	LC1G400
250	390	65	GV6P500●	400	5200	LC1G400

(1) Product type to be completed by replacing the ● with the breaking performance code:

Rated conditional short-circuit (kA)	GV4P/GV4PE/GV4PEM115●			GV5P150●/ 220●		GV6P320●/ 500●	
Breaking performance code	B	N	S	F	H	F	H
440 V	20	50	70	35	65	30	65

Coordination and standards

55 to 450 kW at 440 V: type 2 coordination (with ComPact NSX/NS circuit breakers)

Standard power ratings of 3-phase motors 50/60 Hz in category AC-3e			Circuit breaker			Contactor
440 V			Product type ⁽¹⁾	I _r setting ⁽²⁾	I _{rm} ⁽²⁾	Product type
P	I _e	I _q (max)				
kW	A	kA		A	A	
55	88	130	NSX100● + MicroLogic 2.2 M	90	1170	LC1G115
75	120	130	NSX160● + MicroLogic 2.2 M ⁽³⁾	130	1690	LC1G150
90	145	130	NSX250● + MicroLogic 2.2 M ⁽³⁾	150	1950	LC1G150
110	177	130	NSX250● + MicroLogic 2.2 M ⁽³⁾	185	2405	LC1G185
132	209	130	NSX400● + MicroLogic 2.3 M ⁽³⁾	210	2730	LC1G225
160	255	130	NSX400● + MicroLogic 2.3 M ⁽³⁾	260	3380	LC1G265
200	318	130	NSX630● + MicroLogic 2.3 M ⁽³⁾	320	4160	LC1G330
220	343	130	NSX630● + MicroLogic 2.3 M ⁽³⁾	350	4550	LC1G400
250	390	130	NSX630● + MicroLogic 2.3 M ⁽³⁾	400	5200	LC1G400
300	466	130	NS800● + MicroLogic 5.0	470	6110	LC1G500
335	521	130	NS800● + MicroLogic 5.0	560	5040	LC1G630
355	554	130	NS800● + MicroLogic 5.0	560	5040	LC1G630
400	627	130	NS800● + MicroLogic 5.0	640	5760	LC1G800
450	695	130	NS800● + MicroLogic 5.0	720	6480	LC1G800

(1) Product type to be completed by replacing the ● with the breaking performance code:

Rated conditional short-circuit (kA)	NSX100●/ NSX160●/ NSX250●					NSX400●/ NSX630●					NS800●
Breaking performance code	F	N	H	S	L	F	N	H	S	L	L
440 V	35	50	65	90	130	30	42	65	90	130	130

(2) This setting is a general guidance, I_r and I_{rm} should be adjusted according to motor characteristics and conditions of use.

(3) Applicable also with MicroLogic 6.2 E-M and 6.3 E-M trip units.

<https://www.se.com/ww/en/product/>

Coordination: Thermal magnetic circuit breaker + Contactor

65 to 295 kW at 500 V: type 2 coordination (with TeSys GV4 / GV5 / GV6 circuit breakers)

Standard power ratings of 3-phase motors 50/60 Hz in category AC-3e			Circuit breaker			Contactor
500 V			Product type ⁽¹⁾	Ir setting ⁽²⁾	Irm ⁽²⁾	Product type
P	Ie	Iq (max)		A	A	
kW	A	kA				
65	92	100	GV4P/GV4PE/GV4PEM115●	93	837	LC1G115
65	92	50	GV5P150●	100	1300	LC1G115
110	156	50	GV5P220●	170	2210	LC1G185
132	184	50	GV5P220●	185	2405	LC1G225
160	224	50	GV6P320●	240	3120	LC1G265
200	280	50	GV6P500●	300	3900	LC1G330
250	344	50	GV6P500●	350	4550	LC1G400
295	405	50	GV6P500●	440	5720	LC1G500

(1) Product type to be completed by replacing the ● with the breaking performance code:

Rated conditional short-circuit (kA)	GV4P/GV4PE/GV4PEM115●			GV5P150●/ 220●		GV6P320●/ 500●	
	B	N	S	F	H	F	H
500 V	10	25	30	30	50	25	50

65 to 425 kW at 500 V: type 2 coordination (with ComPacT NSX / NS circuit breakers)

Standard power ratings of 3-phase motors 50/60 Hz in category AC-3e			Circuit breaker			Contactor
500 V			Product type ⁽¹⁾	Ir setting ⁽²⁾	Irm ⁽²⁾	Product type
P	Ie	Iq (max)		A	A	
kW	A	kA				
65	92	100	NSX100● + MicroLogic 2.2 M	95	1235	LC1G115
65	92	100	NSX160● + MicroLogic 2.2 M ⁽³⁾	95	1235	LC1G115
90	128	70	NSX160● + MicroLogic 2.2 M ⁽³⁾	130	1690	LC1G150
110	156	100	NSX250● + MicroLogic 2.2 M ⁽³⁾	170	2210	LC1G185
132	184	100	NSX250● + MicroLogic 2.2 M ⁽³⁾	185	2405	LC1G225
160	224	70	NSX400● + MicroLogic 2.3 M ⁽³⁾	240	3120	LC1G265
200	280	70	NSX630● + MicroLogic 2.3 M ⁽³⁾	300	3900	LC1G330
250	344	70	NSX630● + MicroLogic 2.3 M ⁽³⁾	350	4550	LC1G400
295	405	70	NSX630● + MicroLogic 2.3 M ⁽³⁾	440	5720	LC1G500
375	516	70	NS800● + MicroLogic 5.0	560	5040	LC1G630
425	584	70	NS800● + MicroLogic 5.0	640	5760	LC1G800

(1) Product type to be completed by replacing the ● with the breaking performance code:

Rated conditional short-circuit (kA)	NSX100●					NSX160●/ NSX250●					NSX400●/ NSX630●					NS800●
	F	N	H	S	L	F	N	H	S	L	F	N	H	S	L	L
500 V	25	36	50	65	70	30	36	50	65	70	25	30	50	65	70	100

(2) This setting is a general guidance, Ir and Irm should be adjusted according to motor characteristics and conditions of use.

(3) Applicable also with MicroLogic 6.2 E-M and 6.3 E-M trip units.

Coordination and standards

Coordination: Thermal magnetic circuit breaker + Contactor

Coordination and standards

0.06 to 22 kW at 690 V: type 2 coordination

Standard power ratings of 3-phase motors 50/60 Hz in category AC-3e			Limiting block	Circuit breaker		Contactor	
690 V			Product type	Product type	I _r Setting ⁽¹⁾	I _{rm} ⁽¹⁾	Product type
P	I _e	I _q			A	A	
kW	A	kA					
0.06	0.12	100		GV2P01	0.16	1.93	LC1D09
0.09	0.17	100		GV2P02	0.25	3.08	LC1D09
0.12	0.23	100		GV2P03	0.4	5.8	LC1D09
0.18	0.35	100		GV2P03	0.4	5.8	LC1D09
0.25	0.49	100		GV2P04	0.63	9.3	LC1D09
0.37	0.64	100		GV2P05	1	15.1	LC1D09
0.55	0.87	100		GV2P05	1	15.1	LC1D09
0.75	1.1	100		GV2P06	1.6	26.2	LC1D09
1.1	1.6	100	LA9LB920	GV2P07	2.5	39	LC1D25
1.5	2.2	100	LA9LB920	GV2P07	2.5	39	LC1D25
2.2	2.9	50	LA9LB920	GV2P08	4	74	LC1D25
3	4	50	LA9LB920	GV2P08	4	74	LC1D25
4	5	50	LA9LB920	GV2P10	6.3	91	LC1D25
5.5	7	50	LA9LB920	GV2P14	10	149	LC1D25
7.5	9.3	50	LA9LB920	GV2P16	14	253.4	LC1D25
9	12.8	50	LA9LB920	GV2P16	14	253.4	LC1D25
11	13	50	LA9LB920	GV2P16	14	253.4	LC1D25
15	16.5	50	LA9LB920	GV2P20	18	341	LC1D25
18.5	21	50	LA9LB920	GV2P21	23	341	LC1D32
22	25	50	LA9LB920	GV2P32	32	537.6	LC1D40A

(1) This setting is a general guidance, I_r and I_{rm} should be adjusted according to motor characteristics and conditions of use.

30 to 560 kW at 690 V: type 2 coordination (with ComPacT NSX/NS circuit breakers)

Standard power ratings of 3-phase motors 50/60 Hz in category AC-3e			Circuit breaker			Contactor
690 V			Product type ⁽¹⁾	I _r Setting ⁽²⁾	I _{rm} ⁽²⁾	Product type
P	I _e	I _q (max)		A	A	
kW	A	kA				
30	32	100	NSX100● + MicroLogic 2.2 M	36	468	LC1G115
37	39	100	NSX100● + MicroLogic 2.2 M	40	520	LC1G115
45	47	100	NSX100● + MicroLogic 2.2 M	50	650	LC1G115
55	57	100	NSX100● + MicroLogic 2.2 M	60	780	LC1G115
75	77	100	NSX100● + MicroLogic 2.2 M	80	1040	LC1G115
90	93	100	NSX250● + MicroLogic 2.2 M ⁽³⁾	95	1235	LC1G150
110	113	100	NSX250● + MicroLogic 2.2 M ⁽³⁾	115	1495	LC1G185
132	134	100	NSX250● + MicroLogic 2.2 M ⁽³⁾	140	1820	LC1G225
160	162	100	NSX250● + MicroLogic 2.2 M ⁽³⁾	170	2210	LC1G225
200	203	100	NSX400● + MicroLogic 2.3 M ⁽³⁾	210	2730	LC1G265
220	223	100	NSX400● + MicroLogic 2.3 M ⁽³⁾	240	3120	LC1G330
250	250	100	NSX400● + MicroLogic 2.3 M ⁽³⁾	260	3380	LC1G400
315	313	100	NSX630● + MicroLogic 2.3 M ⁽³⁾	320	4160	LC1G400
335	335	100	NSX630● + MicroLogic 2.3 M ⁽³⁾	350	4550	LC1G500
355	354	100	NSX630● + MicroLogic 2.3 M ⁽³⁾	380	4940	LC1G500
375	372	100	NSX630● + MicroLogic 2.3 M ⁽³⁾	380	4940	LC1G630
400	400	100	NS800● + MicroLogic 5.0	440	5720	LC1G630
450	455	100	NS800● + MicroLogic 5.0	470	6110	LC1G630
475	475	100	NS800● + MicroLogic 5.0	500	6500	LC1G630
500	493	100	NS800● + MicroLogic 5.0	500	6500	LC1G630
560	551	75	NS800● + MicroLogic 5.0	560	7280	LC1G800

(1) Product type to be completed by replacing the ● with the breaking performance code:

Rated conditional short-circuit (kA)	NSX100●/ NSX250●/ NSX400●/ NSX630●		NS800●
Breaking performance code	HB1	HB2	LB
690 V	75	100	75

(2) This setting is a general guidance, I_r and I_{rm} should be adjusted according to motor characteristics and conditions of use.

(3) Applicable also with MicroLogic 6.2 E-M and 6.3 E-M trip units.

½ to 80 hp at 460 V - 3P

GV2P + contactor: compact, high SCCR solution.

GV3P + contactor: medium power, Everlink (long lasting power connection).

GV4PB + contactor: high power, advanced protection settings, Everlink (long lasting power connection), 18 (GV4PB●●●B), 35 (GV4PB●●●N) or 65 (GV4PB●●●S) kA SCCR.

Standard power ratings						Circuit breaker			Contactor			Circuit breaker			Contactor		
200 V 3P		230 V 3P		460 V 3P		Product reference (2)	Dial range	Product reference (3)	Comb. SCCR 480Y	Product reference (4)	Dial range	Product reference (3)	Comb. SCCR 480Y	Product reference	Dial range	Product reference (3)	SCCR 480Y As applied
HP	FLA (1)	HP	FLA (1)	HP	FLA (1)												
		½	1.1	GV2P06	1 to 1.6	LC1D09	100						GV4PB02S	0.8 to 2	LC1D09	65	
		¾	1.6	GV2P06	1 to 1.6	LC1D09	100						GV4PB02S	0.8 to 2	LC1D09	65	
½	2.5	½	2.2	1	2.1	GV2P07	1.6 to 2.5	LC1D09	100				GV4PB03S	1.4 to 3.5	LC1D09	65	
		1½	3	GV2P08	2.5 to 4	LC1D09	100						GV4PB03S	1.4 to 3.5	LC1D09	65	
¾	3.7	¾	3.2	2	3.4	GV2P08	2.5 to 4	LC1D09	100				GV4PB07S	2.9 to 7	LC1D09	65	
1	4.6	1	4.2	3	4.8	GV2P10	4 to 6.3	LC1D09	100				GV4PB07S	2.9 to 7	LC1D09	65	
		1½	6	GV2P10	4 to 6.3	LC1D09	100						GV4PB12S	5 to 12.5	LC1D12	65	
1½	6.9	2	6.8	GV2P14	6 to 10	LC1D12	100						GV4PB12S	5 to 12.5	LC1D12	65	
2	7.8			5	7.6	GV2P14	6 to 10	LC1D12	100				GV4PB12S	5 to 12.5	LC1D12	65	
		3	9.6	GV2P14	6 to 10	LC1D12	100	GV3P13	9 to 13	LC1D18	65	GV4PB12S	5 to 12.5	LC1D12	65		
3	11			7½	11	GV2P16	9 to 14	LC1D18	50 ⁽⁵⁾	GV3P13	9 to 13	LC1D18	65	GV4PB25S	10 to 25	LC1D25	65
				10	14	GV2P16	9 to 14	LC1D18	50 ⁽⁵⁾	GV3P18	12 to 18	LC1D18	65	GV4PB25S	10 to 25	LC1D25	65
5	17.5	5	15.2	GV2P20	13 to 18	LC1D18	50 ⁽⁵⁾	GV3P18	12 to 18	LC1D18	65	GV4PB25S	10 to 25	LC1D25	65		
		7½	22	15	21	GV2P21	17 to 23	LC1D25	50 ⁽⁵⁾	GV3P25	17 to 25	LC1D25	65	GV4PB25S	10 to 25	LC1D25	65
7½	25.3			GV2P22	20 to 25	LC1D25	50 ⁽⁵⁾	GV3P32	23 to 32	LC1D32	65	GV4PB50S	20 to 50	LC1D50A	65		
		10	28	20	27			GV3P32	23 to 32	LC1D32	65	GV4PB50S	20 to 50	LC1D50A	65		
10	32.2			25	34			GV3P40	30 to 40	LC1D40A	65	GV4PB50S	20 to 50	LC1D50A	65		
		15	42	30	40			GV3P50	37 to 50	LC1D50A	65	GV4PB50S	20 to 50	LC1D50A	65		
15	48							GV3P65	48 to 65	LC1D65A	65	GV4PB50S	20 to 50	LC1D50A	65		
		20	54	40	52			GV3P65	48 to 65	LC1D65A	65	GV4PB80S	40 to 80	LC1D80	65		
20	62.1											GV4PB115S	40 to 80	LC1D80	65		
25	78.2	25	68	50	65							GV4PB115S	40 to 80	LC1D80	65		
30	92	30	80	60	77							GV4PB115S	65 to 115	LC1D115A	65		
30	92	40	104	75	96	JLL36250	114 to 217	LC1D115A	100								
40	120	50	130	100	124	LLL36400	90 to 348	LC1D150A	100								

(1) Motor Full Load Amp Sizes are based on NEC Table 430.250.

(2) Requires use of GV1G09 or GV2GH7 line spacer for Type F rating.

(3) Add coil suffix to complete reference part number. For example, an LC1D09G7 includes a 120 V AC coil.

(4) Requires use of GV3G66 line spacer and GVAM11 short-circuit signaling contact for Type F rating.

(5) SCCR is 42 kA at 480Y when using GV2G busbar links.

Coordination: Magnetic circuit breaker + Contactor + Overload relay

0.06 to 30 kW at 400/415, 440 and 500 V: type 1 coordination														
Standard power ratings of 3-phase motors 50/60 Hz in category AC-3e									Circuit breaker			Contactor	Thermal overload relay	
400/415 V			440 V			500 V			Reference	Rating	I _{rm} ⁽¹⁾	Reference ⁽²⁾	Reference	Setting range
P	I _e	I _q	P	I _e	I _q	P	I _e	I _q		A	A			A
kW	A	kA	kW	A	kA	kW	A	kA						
0.06	0.2	50	0.06	0.19	50	-	-	-	GV2LE03	0.4	5.8	LC1K06	LR2K0302	0.16...0.23
-	-	-	0.09	0.28	50	-	-	-	GV2LE03	0.4	5.8	LC1K06	LR2K0303	0.23...0.36
0.09	0.3	50	-	-	-	-	-	-	GV2LE03	0.4	5.8	LC1K06	LR2K0304	0.36...0.54
0.12	0.44	50	0.12	0.37	50	-	-	-	GV2LE04	0.63	9.3	LC1K06	LR2K0304	0.36...0.54
-	-	-	0.18	0.55	50	-	-	-	GV2LE04	0.63	9.3	LC1K06	LR2K0305	0.54...0.8
0.18	0.6	50	0.25	0.76	50	-	-	-	GV2LE05	1	15.1	LC1K06	LR2K0305	0.54...0.8
0.25	0.85	50	-	-	-	-	-	-	GV2LE05	1	15.1	LC1K06	LR2K0306	0.8...1.2
-	-	-	-	-	-	0.37	0.88	50						
0.37	1.1	50	0.37	1	50	-	-	-	GV2LE06	1.6	26.2	LC1K06	LR2K0306	0.8...1.2
0.55	1.5	50	0.55	1.36	50	0.55	1.2	50	GV2LE06	1.6	26.2	LC1K06	LR2K0307	1.2...1.8
-	-	-	-	-	-	0.75	1.5	50						
-	-	-	0.75	1.7	50	-	-	-	GV2LE07	2.5	39	LC1K06	LR2K0307	1.2...1.8
0.75	1.9	50	-	-	-	-	-	-	GV2LE07	2.5	39	LC1K06	LR2K0308	1.8...2.6
-	-	-	-	-	-	1.1	2.2	50						
1.1	2.7	50	1.1	2.5	50	-	-	-	GV2LE08	4	74	LC1K06	LR2K0308	1.8...2.6
1.5	3.6	50	1.5	3.3	50	1.5	2.9	50	GV2LE08	4	74	LC1K06	LR2K0310	2.6...3.7
-	-	-	-	-	-	2.2	3.9	50	GV2LE08	4	74	LC1K06	LR2K0312	3.7...5.5
2.2	4.9	50	2.2	4.5	50	3	5.2	50	GV2LE10	6.3	91	LC1K06	LR2K0312	3.7...5.5
-	-	-	3	5.9	50	-	-	-	GV2LE14	10	149	LC1K06	LR2K0314	5.5...8
-	-	-	4	7.8	15	-	-	-	GV2LE14	10	149	LC1K09	LR2K0314	5.5...8
3	6.5	50	-	-	-	4	6.8	10	GV2LE14	10	149	LC1K09	LR2K0314	5.5...8
4	8.5	50	-	-	-	-	-	-	GV2LE14	10	149	LC1K09	LR2K0316	8...11.5
5.5	11.5	15	5.5	10.5	8	7.5	12.4	6	GV2LE16	14	253.4	LC1K12	LR2K0321	10...14
-	-	-	7.5	14.1	8	9	13.9	6	GV2LE16	14	253.4	LC1D18	LRD21	12...18
7.5	15.5	15	9	16.9	8	-	-	-	GV2LE20	18	341	LC1D18	LRD21	12...18
9	18.1	15	-	-	-	11	17.6	4	GV2LE22	25	388.3	LC1D25	LRD22	16...24
11	22	15	11	20	6	15	23	4	GV2LE22	25	388.3	LC1D25	LRD22	16...24
15	29	10	15	27	6	18.5	28	4	GV2LE32	32	537.6	LC1D32	LRD32	23...32
18.5	35	50	18.5	32	50	22	33	10	GV3L40	40	560	LC1D40A	LRD340	30...40
22	41	50	22	39	50	30	44	10	GV3L50	50	700	LC1D50A	LRD350	37...50

(1) This setting is a general guidance, I_r and I_{rm} should be adjusted according to motor characteristics and conditions of use.

(2) For reversing operation, replace the prefix LC1 with LC2.

Coordination and standards

Coordination: Magnetic circuit breaker + Contactor + Overload relay

30 to 55 kW at 400/415, 440 and 500 V: type 1 coordination														
Standard power ratings of 3-phase motors 50/60 Hz in category AC-3e									Circuit breaker			Contactor	Thermal overload relay	
400/415 V			440 V			500 V			Reference	Rating I _{rm} ⁽¹⁾		Reference ⁽²⁾	Reference	Setting range
P	I _e	I _q	P	I _e	I _q	P	I _e	I _q		A	A			
kW	A	kA	kW	A	kA	kW	A	kA						A
30	55	50	30	50	50	37	53	10	GV3L65	65	910	LC1D65A	LRD365	48...65
–	–	–	37	60	50	37	53	10	GV3L65	65	910	LC1D65A	LRD365	48...65
–	–	–	–	–	–	45	64	10	GV3L65	65	910	LC1D80	LRD3361	55...70
37	66	50	–	–	–	–	–	–	GV3L73	73	1120	LC1D80A	LRD380	62...80
–	–	–	37	60	70	–	–	–	GV4L80	80	880	LC1D65A	LRD365	48...65
–	–	–	–	–	–	45	64	30	GV4L80	80	880	LC1D80	LRD3361	55...70
37	66	100	–	–	–	–	–	–	GV4L80	80	1040	LC1D80	LRD3361	55...70
–	–	–	45	73	70	55	78	30	GV4L80	80	1040	LC1D80	LRD3363	63...80
45	80	100	–	–	–	–	–	–	GV4L115	115	1380	LC1D95	LRD3365	80...104

(1) This setting is a general guidance, I_r and I_{rm} should be adjusted according to motor characteristics and conditions of use.

(2) For reversing operation, replace the prefix LC1 with LC2.

Coordination: Magnetic circuit breaker + Contactor + Overload relay

0.06 to 18.5 kW at 400/415, 440 and 500 V: type 2 coordination														
Standard power ratings of 3-phase motors 50/60 Hz in category AC-3e									Circuit breaker			Contactor	Thermal overload relay	
400/415 V			440 V			500 V			Reference	Rating	I _{rm} ⁽¹⁾	Reference ⁽²⁾	Reference	Setting range
P	I _e	I _q	P	I _e	I _q	P	I _e	I _q		A	A			A
kW	A	kA	kW	A	kA	kW	A	kA						
0.06	0.2	130	0.06	0.19	130	-	-	-	GV2L03 or LE03	0.4	5.8	LC1D09	LRD02	0.16...0.25
0.09	0.3	130	0.09	0.28	130	-	-	-	GV2L03 or LE03	0.4	5.8	LC1D09	LRD03	0.25...0.40
			0.12	0.37	130				GV2L04 or LE04	0.63	9.3	LC1D09	LRD03	0.25...0.40
0.12	0.44	130	0.18	0.55	130	-	-	-	GV2L04 or LE04	0.63	9.3	LC1D09	LRD04	0.4...0.63
0.18	0.6	130							GV2L05 or LE05	1	15.1	LC1D09	LRD04	0.4...0.63
0.25	0.85	130	0.25	0.76	130	0.37	0.88	130	GV2L05 or LE05	1	15.1	LC1D09	LRD05	0.63...1
0.37	1.1	130	0.37	1	130				GV2L06 or LE06	1.6	26.2	LC1D09	LRD05	0.63...1
0.55	1.5	130	0.55	1.36	130	0.55	1.2	130	GV2L06 or LE06	1.6	26.2	LC1D09	LRD06	1...1.6
						0.75	1.5	130						
0.75	1.9	130	0.75	1.7	130	1.1	2.2	130	GV2L07 or LE07	2.5	39	LC1D09	LRD07	1.6...2.5
1.1	2.7	130	1.1	2.5	130	1.5	2.9	130	GV2L08 or LE08	4	74	LC1D09	LRD08	2.5...4
1.5	3.6	130	1.5	3.3	130	2.2	3.9	130						
2.2	4.9	130	-	-	-	-	-	-	GV2L10 or LE10	6.3	91	LC1D09	LRD10	4...6
-	-	-	-	-	-	-	-	-						
-	-	-	2.2	4.5	50	-	-	-	GV2LE10	6.3	91	LC1D09	LRD10	4...6
-	-	-	-	-	-	3	5.2	50						
-	-	-	2.2	4.5	130	-	-	-	GV2L10	6.3	91	LC1D09	LRD10	4...6
-	-	-	-	-	-	3	5.2	130						
3	6.5	130	-	-	-	-	-	-	GV2L14 or LE14	10	149	LC1D09	LRD12	5.5...8
-	-	-	3	5.9	130/50	-	-	-	GV2L14 or LE14	10	149	LC1D09	LRD10	4...6
-	-	-	-	-	-	4	6.8	10	GV2LE14	10	149	LC1D12	LRD12	5.5...8
-	-	-	-	-	-	4	6.8	10	GV2L14	10	149	LC1D12	LRD12	5.5...8
4	8.5	130	-	-	-	-	-	-	GV2L14 or LE14	10	149	LC1D09	LRD14	7...10
-	-	-	4	7.8	15	-	-	-	GV2LE14	10	149	LC1D09	LRD14	7...10
-	-	-	4	7.8	20	-	-	-	GV2L14	10	149	LC1D09	LRD14	7...10
-	-	-	-	-	-	5.5	9.2	10	GV2LE14	10	149	LC1D09	LRD14	7...10
-	-	-	-	-	-	5.5	9.2	10	GV2L14	10	149	LC1D09	LRD14	7...10
5.5	11.5	130	5.5	10.4	50	7.5	12.4	10	GV2L16	14	253.4	LC1D25	LRD16	9...13
-	-	-	7.5	14.1	50	-	-	-	GV2L16	14	253.4	LC1D25	LRD21	12...18
7.5	15.5	50	9	16.9	20	9	13.9	10	GV2L20	18	341	LC1D25	LRD21	12...18
9	18.1	50	-	-	-	-	-	-	GV2L22	25	388.3	LC1D25	LRD22	16...24
11	22	50	11	20	20	-	-	-						
-	-	-	-	-	-	11	17.6	10	GV2L22	25	388.3	LC1D32	LRD22	16...24
-	-	-	-	-	-	15	23	10						
15	29	50	15	27	50	-	-	-	GV3L32	32	448	LC1D40A	LRD332	23...32
-	-	-	-	-	-	18.5	28	10	GV3L32	32	448	LC1D65A	LRD332	23...32

(1) I_{rm}: setting current of the magnetic trip.
 (2) For reversing operation, replace the prefix LC1 with LC2.

Coordination and standards

Coordination: Magnetic circuit breaker + Contactor + Overload relay

0.18 to 22 kW at 690 V: type 2 coordination									
Standard power ratings of 3-phase motors 50/60 Hz in category AC-3e			Limiting block	Circuit breaker			Contactor	Thermal overload relay	
690 V			Product type	Product type	Rating	I _{rm} ⁽¹⁾	Product type	Product type	Setting range
P	I _e	I _q			A	A			A
kW	A	kA							
0.18	0.35	100	–	GV2L03	0.4	5.8	LC1D09	LRD03	0.25...0.4
0.25	0.49	100	–	GV2L04	0.63	9.3	LC1D09	LRD04	0.4...0.63
0.37	0.64	100	–	GV2L05	1	15.1	LC1D09	LRD05	0.63...1
0.55	0.87	100	–	GV2L05	1	15.1	LC1D09	LRD05	0.63...1
0.75	1.1	100	–	GV2L06	1.6	26.2	LC1D09	LRD06	1...1.6
1.1	1.6	100	–	GV2L06	1.6	26.2	LC1D09	LRD06	1...1.6
1.5	2.2	100	LA9LB920 ⁽²⁾	GV2L07	2.5	39	LC1D25	LRD07	1.6...2.5
2.2	2.9	50	LA9LB920 ⁽²⁾	GV2L08	4	74	LC1D25	LRD08	2.5...4
3	4	50	LA9LB920 ⁽²⁾	GV2L08	4	74	LC1D25	LRD08	2.5...4
4	5	50	LA9LB920 ⁽²⁾	GV2L10	6.3	91	LC1D25	LRD10	4...6
5.5	7	50	LA9LB920 ⁽²⁾	GV2L14	10	149	LC1D32	LRD12	5.5...8
7.5	9.3	50	LA9LB920 ⁽²⁾	GV2L16	14	253.4	LC1D32	LRD16	9...13
9	10.6	50	LA9LB920 ⁽²⁾	GV2L16	14	253.4	LC1D32	LRD16	9...13
11	13	50	LA9LB920 ⁽²⁾	GV2L16	14	253.4	LC1D32	LRD16	9...13
15	16.5	50	LA9LB920 ⁽²⁾	GV2L20	18	341	LC1D32	LRD21	12...18
18.5	21	50	LA9LB920 ⁽²⁾	GV2L22	25	388.3	LC1D32	LRD22	16...24
22	25	50	LA9LB920 ⁽²⁾	GV2L32	32	537.6	LC1D32	LRD32	23...32
22	25	50	LA9LB920 ⁽²⁾	GV2L32	32	537.6	LC1D40A	LRD332	23...32

(1) I_{rm}: setting current of the magnetic trip.

(2) For more information about the current limiter LA9LB920, please refer to pages A4/32 and A4/48.

Coordination and standards

18.5 to 90 kW at 400/415, 440 and 500 V: type 2 coordination										Circuit breaker			Contactor		Thermal overload relay	
Standard power ratings of 3-phase motors 50/60 Hz in category AC-3e									Reference	Rating	I _{rm} ⁽¹⁾	Reference ⁽²⁾	Reference	Setting range		
400/415 V			440 V			500 V										
P	I _e	I _q	P	I _e	I _q	P	I _e	I _q		A	A			A		
kW	A	kA	kW	A	kA	kW	A	kA								
18.5	35	50	–	–	–	–	–	–	GV3L40	40	560	LC1D50A	LRD340	30...40		
–	–	–	18.5	32	50	–	–	–	GV3L40	40	560	LC1D65A	LRD340	30...40		
22	41	50	–	–	–	–	–	–	GV3L50	50	700	LC1D50A	LRD350	37...50		
–	–	–	22	39	50	30	44	10	GV3L50	50	700	LC1D65A	LRD350	37...50		
30	55	50	30	50	50	37	53	10	GV3L65	65	910	LC1D65A	LRD365	48...65		
37	66	50	–	–	–	–	–	–	GV3L73	73	1120	LC1D80A	LRD380	62...80		
–	–	–	37	60	70	–	–	–	GV4L80S	80	880	LC1D65A	LRD365	48...65		
37	66	100	45	73	70	⁽⁴⁾	⁽⁴⁾	⁽⁴⁾	GV4L80S	80	1040	LC1D80	LRD3363	63...80		
45	80	100	55	88	70	⁽⁴⁾	⁽⁴⁾	⁽⁴⁾	GV4L115S	115	1380	LC1D115A	LR9G115	28...115		
55	97	100	–	–	–	⁽⁴⁾	⁽⁴⁾	⁽⁴⁾	GV4L115S	115	1495	LC1D115A	LR9G115	28...115		
–	–	–	–	–	–	55	78	⁽³⁾	NSX100●MA ⁽³⁾	100	1040	LC1D80	LRD3363	63...80		
45	80	⁽³⁾	55	88	⁽³⁾	–	–	–	NSX160●MA ⁽³⁾	100	1300	LC1D115A	LR9G115	28...115		
55	97	⁽³⁾	–	–	–	–	–	–	NSX160●MA ⁽³⁾	150	1500	LC1D115A	LR9G115	28...115		
–	–	–	–	–	–	75	106	⁽³⁾	NSX160●MA ⁽³⁾	150	1950	LC1D115A	LR9G225	57...225		
75	132	⁽³⁾	75	125	⁽³⁾	–	–	–	NSX250●MA ⁽³⁾	220	1950	LC1D150A	LR9G225	57...225		
–	–	–	90	146	⁽³⁾	–	–	–	NSX250●MA ⁽³⁾	220	1950	LC1D150A	LR9G225	57...225		
–	–	–	–	–	–	90	128	⁽³⁾	NSX250●MA ⁽³⁾	220	1950	LC1D150A	LR9G225	57...225		

(1) I_{rm}: setting current of the magnetic trip.

(2) For reversing operation, replace the prefix LC1 with LC2.

(3) Product type to be completed by replacing the ● with the breaking performance code:

Breaking performance I _q (kA)	NSX100●MA		NSX160●MA and NSX250●MA		NSX400● and NSX630●
400/415 V	36	70	36	70	70
440 V	35	65	35	65	65
500 V	25	50	25	50	50
660/690 V	8	10	8	10	20
Code	F	H	F	H	L

(4) Please consult your regional sales office.

45 to 335 kW at 400/415 V: type 2 coordination (with TeSys GV4 or ComPacT NSX circuit breakers and LR9G overload relays)

Standard power ratings of 3-phase motors 50/60 Hz in category AC-3e			Circuit breaker		Contactor	Electronic thermal overload relay	
400/415 V			Product type ⁽¹⁾	I _{rm} ⁽²⁾	Product type	Product type	I _r setting ⁽²⁾
P	I _e	I _q (max)					
kW	A	kA		A			A
45	80	100	GV4L/GV4LE115●	1265	LC1G115	LR9G115	80
45	80	130	NSX100● + MA	1100	LC1G115	LR9G115	80
55	97	100	GV4L/GV4LE115●	1265	LC1G115	LR9G225	97
55	97	130	NSX160● + MA	1500	LC1G115	LR9G225	97
75	132	130	NSX250● + MA	1800	LC1G150	LR9G225	132
90	160	130	NSX250● + MA	2640	LC1G185	LR9G225	160
110	195	130	NSX400● + MicroLogic 1.3 M	2640	LC1G225	LR9G225	195
110	195	130	NSX400● + MicroLogic 1.3 M	3520	LC1G265	LR9G500	195
132	230	130	NSX400● + MicroLogic 1.3 M	3520	LC1G265	LR9G500	230
160	280	130	NSX630● + MicroLogic 1.3 M	3840	LC1G330	LR9G500	280
200	350	130	NSX630● + MicroLogic 1.3 M	5500	LC1G400	LR9G500	350
220	380	130	NSX630● + MicroLogic 1.3 M	5500	LC1G500	LR9G500	380
250	430	130	NS800● + MicroLogic 5.0 LR OFF	6000	LC1G500	LR9G500	430
300	500	130	NS800● + MicroLogic 5.0 LR OFF	6400	LC1G630	LR9G630	500
335	575	130	NS800● + MicroLogic 5.0 LR OFF	7200	LC1G630	LR9G630	575

(1) Product type to be completed by replacing the ● with the breaking performance code:

Rated conditional short-circuit (kA)	GV4L115●/ GV4LE115●			NSX100●/ NSX160●/ NSX250●/ NSX400●/ NSX630●					NS800●
	B	N	S	F	N	H	S	L	L
400/415 V	25	50	100	36	50	70	100	130	150

55 to 355 kW at 440 V: type 2 coordination (with TeSys GV4 or ComPacT NSX/NS circuit breakers and LR9G overload relays)

Standard power ratings of 3-phase motors 50/60 Hz in category AC-3e			Circuit breaker		Contactor	Electronic thermal overload relay	
440 V			Product type ⁽¹⁾	I _{rm} ⁽²⁾	Product type	Product type	I _r setting ⁽²⁾
P	I _e	I _q (max)					
kW	A	kA		A			A
55	88	70	GV4L/GV4LE115●	1265	LC1G115	LR9G115	88
55	88	130	NSX160● + MA	1500	LC1G115	LR9G115	88
75	120	130	NSX160● + MA	1800	LC1G150	LR9G225	120
90	145	130	NSX250● + MA	2640	LC1G150	LR9G225	145
110	176	130	NSX250● + MA	2640	LC1G185	LR9G225	177
132	209	130	NSX400● + MicroLogic 1.3 M	2860	LC1G225	LR9G225	209
160	255	130	NSX400● + MicroLogic 1.3 M	3520	LC1G265	LR9G500	255
200	318	130	NSX630● + MicroLogic 1.3 M	4160	LC1G330	LR9G500	318
220	343	130	NSX630● + MicroLogic 1.3 M	5500	LC1G400	LR9G500	343
250	390	130	NSX630● + MicroLogic 1.3 M	5500	LC1G400	LR9G500	390
300	466	130	NS800● + MicroLogic 5.0 LR OFF	6500	LC1G500	LR9G500	466
335	521	130	NS800● + MicroLogic 5.0 LR OFF	6400	LC1G630	LR9G630	521
355	554	130	NS800● + MicroLogic 5.0 LR OFF	7200	LC1G630	LR9G630	554

(1) Product type to be completed by replacing the ● with the breaking performance code:

Rated conditional short-circuit (kA)	GV4L115●/ GV4LE115●			NSX100●/ NSX160●/ NSX250●					NSX400●/ NSX630●					NS800●
	B	N	S	F	N	H	S	L	F	N	H	S	L	L
440 V	20	50	70	35	50	65	100	130	30	42	65	100	130	150

(2) This setting is a general guidance, I_r and I_{rm} should be adjusted according to motor characteristics and conditions of use.

Coordination: Magnetic circuit breaker + Contactor + Overload relay

65 to 425 kW at 500 V: type 2 coordination (with TeSys GV4 or ComPact NSX/NS circuit breakers and LR9G overload relays)

Standard power ratings of 3-phase motors 50/60 Hz in category AC-3e			Circuit breaker		Contactor	Electronic thermal overload relay	
500 V			Product type ⁽¹⁾	I _{rm} ⁽²⁾	Product type	Product type	I _r setting ⁽²⁾
P	I _e	I _q (max)					
kW	A	kA		A			A
65	92	100	GV4L/GV4LE115●	1265	LC1G115	LR9G115	92
65	92	100	NSX160● + MA150	1300	LC1G115	LR9G115	92
90	128	100	NSX250● + MA220	1950	LC1G150	LR9G225	128
110	156	100	NSX250● + MA220	2200	LC1G185	LR9G225	156
132	184	100	NSX400● + MicroLogic 1.3 M	2560	LC1G225	LR9G225	184
160	224	70	NSX400● + MicroLogic 1.3 M	3200	LC1G265	LR9G500	224
200	280	70	NSX630● + MicroLogic 1.3 M	3840	LC1G330	LR9G500	280
250	344	70	NSX630● + MicroLogic 1.3 M	5500	LC1G400	LR9G500	344
295	405	70	NSX630● + MicroLogic 1.3 M	6500	LC1G500	LR9G500	405
375	516	70	NS800● + MicroLogic 5.0 LR OFF	6400	LC1G630	LR9G630	516
425	584	70	NS800● + MicroLogic 5.0 LR OFF	7200	LC1G800	LR9G630	584

(1) Product type to be completed by replacing the ● with the breaking performance code:

Rated conditional short-circuit (kA)	GV4L115●/ GV4LE115●			NSX100●					NSX160●/ NSX250●					NSX400●/ NSX630●					NS800●
	B	N	S	F	N	H	S	L	F	N	H	S	L	F	N	H	S	L	L
500 V	10	25	30	25	36	50	65	70	30	36	50	65	70	25	30	50	65	70	100

(2) This setting is a general guidance, I_r and I_{rm} should be adjusted according to motor characteristics and conditions of use.

Coordination and standards

0.06 to 30 kW at 400/415 and 690 V: type 2 coordination												
Standard power ratings of 3-phase motors 50/60 Hz in category AC-3e						Circuit breaker			Contactor		Electronic thermal overload relay	
400/415 V			690 V			Reference	Rating	I _{rm}	Reference	Reference	Setting range	
P	I _e	I _q	P	I _e	I _q		A	A			A	
kW	A	kA	kW	A	kA							
0.06	0.2	100	–	–	–	GV2L03	0.4	5.8	LC1D09	LR9D01	0.1...0.5	
0.09	0.3	100	–	–	–	GV2L03	0.4	5.8	LC1D09	LR9D01	0.1...0.5	
0.12	0.44	100	–	–	–	GV2L04	0.63	9.3	LC1D18	LR9D02	0.4...2.0	
0.18	0.6	100	–	–	–	GV2L05	1	15.1	LC1D18	LR9D02	0.4...2.0	
0.25	0.85	100	–	–	–	GV2L05	1	15.1	LC1D18	LR9D02	0.4...2.0	
0.37	1.1	100	–	–	–	GV2L06	1.6	26.2	LC1D18	LR9D02	0.4...2.0	
0.55	1.5	100	–	–	–	GV2L06	1.6	26.2	LC1D18	LR9D02	0.4...2.0	
0.75	1.9	100	–	–	–	GV2L07	2.5	39	LC1D18	LR9D08	1.6...8.0	
1.1	2.7	100	–	–	–	GV2L08	4	74	LC1D18	LR9D08	1.6...8.0	
1.5	3.6	100	–	–	–	GV2L08	4	74	LC1D18	LR9D08	1.6...8.0	
2.2	4.9	100	–	–	–	GV2L10	6.3	91	LC1D18	LR9D08	1.6...8.0	
3	6.5	100	–	–	–	GV2L14	10	149	LC1D25	LR9D32	6.4...32	
4	8.5	100	–	–	–	GV2L14	10	149	LC1D25	LR9D32	6.4...32	
5.5	11.5	100	–	–	–	GV2L16	14	253.4	LC1D25	LR9D32	6.4...32	
7.5	15.5	50	–	–	–	GV2L20	18	341	LC1D25	LR9D32	6.4...32	
11	22	50	–	–	–	GV2L22	25	388.3	LC1D25	LR9D32	6.4...32	
15	29	50	–	–	–	GV3L32	32	448	LC1D65A	LR9D110S	22...110	
18.5	35	50	–	–	–	GV3L40	40	560	LC1D65A	LR9D110S	22...110	
22	41	50	–	–	–	GV3L50	50	700	LC1D65A	LR9D110S	22...110	
30	55	50	–	–	–	GV3L65	65	910	LC1D65A	LR9D110S	22...110	
–	–	–	0.37	0.64	50	GV2L05	1	15.1	LC1D09	LR9D02	0.4...2.0	
–	–	–	0.55	0.87	50	GV2L05	1	15.1	LC1D09	LR9D02	0.4...2.0	
–	–	–	0.75	1.1	50	GV2L06	1.6	26.2	LC1D09	LR9D02	0.4...2.0	
–	–	–	1.1	1.6	50	GV2L07 + LA9LB920 ⁽¹⁾	2.5	39	LC1D25	LR9D08	1.6...8.0	
–	–	–	1.5	2.1	50	GV2L07 + LA9LB920 ⁽¹⁾	2.5	39	LC1D25	LR9D08	1.6...8.0	
–	–	–	2.2	2.8	50	GV2L08 + LA9LB920 ⁽¹⁾	4	74	LC1D25	LR9D08	1.6...8.0	
–	–	–	3	4	50	GV2L08 + LA9LB920 ⁽¹⁾	4	74	LC1D25	LR9D08	1.6...8.0	
–	–	–	4	5	50	GV2L10 + LA9LB920 ⁽¹⁾	6.3	91	LC1D25	LR9D08	1.6...8.0	
–	–	–	5.5	7	50	GV2L14 + LA9LB920 ⁽¹⁾	10	149	LC1D25	LR9D32	6.4...32	
–	–	–	7.5	8.9	50	GV2L16 + LA9LB920 ⁽¹⁾	14	253.4	LC1D25	LR9D32	6.4...32	
–	–	–	11	13	3	GV2L16 + LA9LB920 ⁽¹⁾	14	253.4	LC1D32	LR9D32	6.4...32	
–	–	–	15	16.5	3	GV2L22 + LA9LB920 ⁽¹⁾	25	388.3	LC1D32	LR9D32	6.4...32	
–	–	–	18.5	21	3	GV3L25 + LA9LB920 ⁽¹⁾	25	350	LC1D65A	LR9D32	6.4...32	
–	–	–	22	25	3	GV2L32 + LA9LB920 ⁽¹⁾	32	537.6	LC1D65A	LR9D32	6.4...32	

⁽¹⁾ For more information about the current limiter LA9LB920, please refer to pages A4/32 and A4/48.

30 to 500 kW at 690 V: type 2 coordination (with ComPacT NSX/NS circuit breakers and LR9G overload relays)

Standard power ratings of 3-phase motors 50/60 Hz in category AC-3e			Circuit breaker		Contactor	Electronic thermal overload relay	
690 V			Product type ⁽¹⁾	I _{rm} ⁽²⁾	Product type	Product type	I _r setting ⁽²⁾
P	I _e	I _q (max)					
kW	A	kA		A			A
30	32	100	NSX100● + MA	550	LC1G115	LR9G115	32
37	39	100	NSX100● + MA	550	LC1G115	LR9G115	39
45	47	100	NSX100● + MA	650	LC1G115	LR9G115	47
55	57	100	NSX100● + MA	1100	LC1G115	LR9G115	57
75	77	100	NSX100● + MA	1100	LC1G115	LR9G225	77
90	93	100	NSX250● + MA	1650	LC1G150	LR9G225	93
110	113	100	NSX250● + MA	1650	LC1G185	LR9G225	113
132	134	100	NSX250● + MA	1800	LC1G225	LR9G225	134
160	162	100	NSX250● + MA	2420	LC1G225	LR9G225	162
200	203	100	NSX400● + MicroLogic 1.3 M	2640	LC1G265	LR9G500	203
220	223	100	NSX400● + MicroLogic 1.3 M	3520	LC1G330	LR9G500	223
250	250	100	NSX400● + MicroLogic 1.3 M	3520	LC1G400	LR9G500	250
315	313	100	NSX630● + MicroLogic 1.3 M	5500	LC1G400	LR9G500	313
335	335	100	NSX630● + MicroLogic 1.3 M	5500	LC1G500	LR9G500	335
355	354	100	NSX630● + MicroLogic 1.3 M	5500	LC1G500	LR9G500	354
375	374	100	NSX630● + MicroLogic 1.3 M	5500	LC1G630	LR9G630	374
400	400	100	NSX630● + MicroLogic 1.3 M	5500	LC1G630	LR9G630	400
450	455	100	NS800● + MicroLogic 5.0 LR OFF	6000	LC1G630	LR9G630	455
475	475	100	NS800● + MicroLogic 5.0 LR OFF	6500	LC1G630	LR9G630	475
500	493	100	NS800● + MicroLogic 5.0 LR OFF	6500	LC1G630	LR9G630	493

⁽¹⁾ Product type to be completed by replacing the ● with the breaking performance code:

Rated conditional short-circuit (kA)	NSX100●/ NSX250●/ NSX400●/ NSX630●	
Breaking performance code	HB1	HB2
690 V	75	100

⁽²⁾ This setting is a general guidance, I_r and I_{rm} should be adjusted according to motor characteristics and conditions of use.

22 to 75 kW at 400/415 and 440 V: type 1 coordination

Maximum operating rate: LC3K: 12 starts/hour; LC3D: 30 starts/hour.

Maximum starting time: LC3K and LC3D: 30 seconds.

Standard power ratings of 3-phase motors 50/60 Hz in category AC-3e								Fuse carrier (basic block)	aM fuses		Star-Delta contactors	Thermal overload relay	
400/415 V				440 V					Reference	Size		Rating	Reference
P	I _e	I _{rD} ⁽¹⁾	I _q	P	I _e	I _{rD} ⁽¹⁾	I _q						
kW	A	A	kA	kW	A	A	kA			A			A
–	–	–	–	22	39	23	100	GS2J	22 x 58	50	LC3D18A	LRD22	16...24
22	41	24	100	–	–	–	–	GS2J	22 x 58	50	LC3D32A	LRD32	23...32
–	–	–	–	30	51	30	100	GS2J	22 x 58	63	LC3D32A	LRD32	23...32
30	55	33	100	37	60	37	100	GS2J	22 x 58	80	3 x LC1D40A	LRD340	30...40
37	66	40	100	–	–	–	–	GS2J	22 x 58	80	3 x LC1D40A	LRD350	37...50
–	–	–	–	45	73	44	100	GS2J	22 x 58	80	3 x LC1D50A	LRD350	37...50
45	80	47	100	–	–	–	–	GS2J	22 x 58	100	3 x LC1D50A	LRD350	37...50
–	–	–	–	55	88	52	100	GS2K	22 x 58	100	3 x LC1D50A	LRD365	48...65
55	97	58	100	–	–	–	–	GS2K	22 x 58	125	3 x LC1D65A	LRD365	48...65
75	132	78	100	75	120	72	100	GS2L	T0	160	LC3D80	LRD3363	63...80

⁽¹⁾ I_{rD}: current in the motor windings in delta connection.

1.5 to 75 kW at 400/415 and 440 V: type 2 coordination

Maximum operating rate: LC1D: 30 starts/hour; LC1F: 12 starts/hour.

Maximum starting time: LC1D: 30 seconds; LC1F: 20 seconds.

Standard power ratings of 3-phase motors 50/60 Hz in category AC-3e						Switch-disconnector-fuse	aM fuses		Star-Delta contactors	Thermal overload relay	
400/415 V			440 V			Reference	Size	Rating	Reference	Reference	Setting range
P	I _e	I _q	P	I _e	I _q						
kW	A	kA	kW	A	kA			A			A
1.5	3.6	50	1.5	3.3	50	GS1DD	10 x 38	4	3 x LC1D09	LRD08	2.5...4
2.2	4.9	50	2.2	4.5	50	GS1DD	10 x 38	6	3 x LC1D09	LRD10	4...6
3	6.5	50	3	5.9	50	GS1DD	10 x 38	8	3 x LC1D09	LRD12	5.5...8
4	8.5	50	4	7.8	50	GS1DD	10 x 38	10	3 x LC1D09	LRD14	7...10
5.5	11.5	50	5.5	10.5	50	GS1DD	10 x 38	16	3 x LC1D12	LRD16	9...13
7.5	15.5	50	7.5	14.1	50	GS1DD	10 x 38	16	3 x LC1D18	LRD21	12...18
9	18.1	100	9	16.9	100	GS2F	14 x 51	25	3 x LC1D25	LRD22	
11	22	100	11	20	100						16...24
15	29	100	15	27	100	GS2F	14 x 51	32	3 x LC1D32	LRD32	23...32
18.5	35	100	18.5	34	100	GS2F	14 x 51	40	3 x LC1D40A	LRD340	30...40
22	41	100	22	39	100	GS2J	22 x 58	50	3 x LC1D50A	LRD350	37...50
30	55	100	30	51	100	GS2J	22 x 58	80	3 x LC1D65A	LRD365	48...65
37	66	100	37	64	100	GS2J	22 x 58	80	3 x LC1D80	LRD3363	63...80
-	-	-	45	73	100						
45	80	100	-	-	-	GS2J	22 x 58	100	2 x LC1D115A + LC1D40A	LR9G115	28...115
-	-	-	55	88	100	GS2L	T0	125	2 x LC1D115A + LC1D40A	LR9G115	28...115
55	97	100	-	-	-	GS2L	T0	125	2 x LC1D115A + LC1D40A	LR9G115	28...115
-	-	-	75	120	100	GS2L	T0	160	2 x LC1D115A + LC1D50A	LR9G115	28...115

Coordination and standards

Coordination: Star-Delta with Fuses (DIN type aM) + Contactors + Overload relay

Contactor: **Maximum operating rate:** 30 starts/hour - **Maximum starting time:** 30 seconds.

The coordination table is for normal starting conditions (Class 10e/ 20e). For other heavy starting applications with long start times, please contact your technical support.

RE17RMMWS timer to be used for Star-Delta starter application.

90 to 335 kW at 400/415 V: type 2 coordination									
Standard power ratings of 3-phase motors 50/60 Hz in category AC-3e			Switch-disconnector	aM fuses		Contactor Line (KM2) / Delta (KM3) ⁽¹⁾	Contactor Star (KM1) ⁽¹⁾	Electronic thermal overload relay	
400/415 V			Product type	Size	Rating	Product type		Product type	Ir setting ⁽²⁾
P	I _e	I _q (max)							
kW	A	kA			A				A
90	160	80	GS2N	1	200	LC1G115	LC1D65	LR9G115	92
110	195	80	GS2N	1	250	LC1G150	LC1D80	LR9G225	113
132	230	80	GS2QQ	2	315	LC1G185	LC1G115	LR9G225	133
160	280	80	GS2QQ	2	400	LC1G225	LC1G115	LR9G225	162
200	350	80	GS2S	3	500	LC1G265	LC1G115	LR9G225	202
220	380	80	GS2S	3	500	LC1G330	LC1G150	LR9G500	219
250	430	80	GS2S	3	500	LC1G400	LC1G150	LR9G500	248
315	540	80	GS2S	3	630	LC1G500	LC1G225	LR9G500	312
335	575	80	GS2V	4	800	LC1G500	LC1G225	LR9G500	332

110 to 400 kW at 440 V: type 2 coordination									
Standard power ratings of 3-phase motors 50/60 Hz in category AC-3			Switch-disconnector	aM fuses		Contactor Line (KM2) / Delta (KM3) ⁽¹⁾	Contactor Star (KM1) ⁽¹⁾	Electronic thermal overload relay	
440 V			Product type	Size	Rating	Product type		Product type	Ir setting ⁽²⁾
P	I _e	I _q max							
kW	A	kA			A				A
110	177	80	GS2N	1	200	LC1G115	LC1D65	LR9G115	102
132	209	80	GS2N	1	250	LC1G150	LC1D80	LR9G225	121
160	255	80	GS2QQ	2	315	LC1G150	LC1G115	LR9G225	147
200	318	80	GS2QQ	2	400	LC1G185	LC1G115	LR9G225	184
220	343	80	GS2S	3	500	LC1G225	LC1G115	LR9G225	198
250	390	80	GS2S	3	500	LC1G265	LC1G150	LR9G500	225
315	490	80	GS2S	3	500	LC1G330	LC1G185	LR9G500	283
355	554	80	GS2S	3	630	LC1G330	LC1G225	LR9G500	320
400	627	80	GS2V	4	800	LC1G400	LC1G225	LR9G500	362

90 to 315 kW at 500 V: type 2 coordination									
Standard power ratings of 3-phase motors 50/60 Hz in category AC-3			Switch-disconnector	aM fuses		Contactor Line (KM2) / Delta (KM3) ⁽¹⁾	Contactor Star (KM1) ⁽¹⁾	Electronic thermal overload relay	
500 V			Product type	Size	Rating	Product type		Product type	Ir setting ⁽²⁾
P	I _e	I _q max							
kW	A	kA			A				A
90	128	80	GS2N	1	200	LC1G115	LC1D65	LR9G115	74
110	156	80	GS2N	1	250	LC1G115	LC1D65	LR9G115	90
132	184	80	GS2QQ	2	315	LC1G115	LC1D65	LR9G225	106
160	224	80	GS2QQ	2	400	LC1G150	LC1D80	LR9G225	129
200	280	80	GS2S	3	500	LC1G185	LC1G115	LR9G225	162
220	308	80	GS2S	3	500	LC1G185	LC1G115	LR9G500	178
250	344	80	GS2S	3	500	LC1G225	LC1G150	LR9G500	199
315	432	80	GS2S	3	630	LC1G265	LC1G185	LR9G630	249

(1) Please refer to diagram page A5/43.

(2) This setting is a general guidance, Ir should be adjusted according to motor characteristics and conditions of use.

1.5 to 80 kW at 400/415 and 440 V: type 2 coordination

Maximum operating rate: LC1D: 30 starts/hour.

Maximum starting time: LC1D: 30 seconds.

Standard power ratings of 3-phase motors 50/60 Hz in category AC-3e						Switch-disconnector-fuse	BS fuses		Star-Delta contactors	Thermal overload relay	
400/415 V			440 V			Reference	Size	Rating	Reference	Reference	Setting range
P	I _e	I _q	P	I _e	I _q			A			A
kW	A	kA	kW	A	kA						
1.5	3.6	50	1.5	3.3	50	GS1DDB	A1	NIT 16	3 x LC1D09	LRD08	2.5...4
2.2	4.9	50	2.2	4.5	50	GS1DDB	A1	NIT 16	3 x LC1D09	LRD10	4...6
3	6.5	50	3	5.9	50	GS1DDB	A1	NIT 20	3 x LC1D09	LRD12	5.5...8
4	8.5	50	4	7.8	50	GS1DDB	A1	NIT 20	3 x LC1D09	LRD14	7...10
5.5	11.5	50	5.5	10.5	50	GS1DDB	A1	NIT 20M25	3 x LC1D12	LRD16	9...13
7.5	15.5	50	7.5	14.1	50	GS1DDB	A1	NIT 20M32	3 x LC1D18	LRD21	12...18
9	18.1	50	9	16.9	50	GS2GB	A2	TIA 32M35	3 x LC1D18	LRD21	12...18
11	22	80	11	20	50	GS2GB	A2	TIA 32M50	3 x LC1D25	LRD22	16...24
15	29	80	15	27	50	GS2GB	A2	TIA 32M63	3 x LC1D32	LRD32	23...32
22	41	50	22	39	50	GS2GB	A3	TIS 63M80	3 x LC1D50A	LRD350	37...50
-	-	-	30	51	50	GS2GB	A3	TIS 63M100	3 x LC1D65A	LRD365	48...65
30	55	50	-	-	-	GS2GB	A3	TIS 63M100	3 x LC1D65A	LRD365	48...65
45	80	50	45	73	50	GS2LLB	A4	TCP 100M125	3 x LC1D80	LRD3357	63...80
55	97	80	55	88	80	GS2LLB	A4	TCP 100M160	2 x LC1D115A + LC1D40A	LRD3359 + LA7D3058	48...65
80	141	80	80	128	80	GS2LB	B2	TF 200M250	2 x LC1D115A + LC1D50A	LRD3363 + LA7D3058	90...150

Coordination: Star-Delta with Thermal magnetic circuit breaker + Contactors

1.5 to 75 kW at 400/415 and 440 V: type 1 coordination

Maximum operating rate: LC3K: 12 starts/hour; LC3D: 30 starts/hour.

Maximum starting time: 30 seconds.

Standard power ratings of 3-phase motors 50-60 Hz in category AC-3e								Circuit breaker		Star-delta contactors
400/415 V				440 V				Reference	Setting range of thermal trips	Reference
P	I _e	I _{rD} ⁽¹⁾	I _q ⁽²⁾	P	I _e	I _{rD} ⁽¹⁾	I _q ⁽²⁾	<i>References in italics are available in CEE zone only</i>		
kW	A	A	kA	kW	A	A	kA		A	
1.5	3.6	2	50	1.5	3.3	1.8	50	GV2ME08 <i>GV2ME08AP</i>	2.5...4	LC3K06
2.2	4.9	2.9	50	2.2	4.5	2.6	50	GV2ME10 <i>GV2ME10AP</i>	4...6.3	LC3K06
–	–	–	–	3	5.9	3.3	50			
3	6.5	3.8	50	–	–	–	–	GV2ME14 <i>GV2ME14AP</i>	6...10	LC3K06
4	8.5	4.9	50	4	7.8	4.6	15			
5.5	11.5	6.4	15	5.5	10.5	6	8	GV2ME16 <i>GV2ME16AP</i>	9...14	LC3K06
7.5	15.5	8.6	15	7.5	14.1	7.9	8	GV2ME20 <i>GV2ME20AP</i>	13...18	LC3K09
–	–	–	–	9	16.9	9.8	8	GV2ME20 <i>GV2ME20AP</i>	13...18	LC3D12A
9	18.1	10	15	11	20	12	6	GV2ME21 <i>GV2ME21AP</i>	17...23	LC3D12A
11	22	12	15	–	–	–	–	GV2ME22 <i>GV2ME22AP</i>	20...25	LC3D12A
15	29	17	10	15	27	15	6	GV2ME32 <i>GV2ME32AP</i>	24...32	LC3D18A
18.5	35	20	50	18.5	32	19	50	GV3P40	30...40	LC3D18A
–	–	–	–	22	39	23	50	GV3P50	37...50	LC3D32A
22	41	24	50	30	51	30	50	GV3P50	37...50	LC3D32A
30	55	33	50	30	51	30	50	GV3P65	48...65	LC3D32A
37	66	40	50	37	64	37	50	GV3P65	48...65	3 x LC1D40A ⁽³⁾
37	66	40	100	37	64	37	70	GV4P80	40...80	3 x LC1D40A ⁽³⁾
–	–	–	–	45	73	44	70	GV4P80	40...80	2 x LC1D50A +1 x LC1D40A ⁽³⁾
45	80	47	100	–	–	–	–	GV4P115	65...115	2 x LC1D50A +1 x LC1D40A ⁽³⁾
55	97	58	100	55	88	52	70	GV4P115	65...115	2 x LC1D65A +1 x LC1D40A ⁽³⁾
75 ⁽⁴⁾	132	78	35	75 ⁽⁴⁾	125	72	35	GV5P150F	70...150	LC3D80

⁽¹⁾ I_{rD}: current in the motor windings in delta connection.⁽²⁾ The breaking performance of circuit breakers **GV2ME** can be increased by adding a current limiter **GV1L3**, see page B6/21.⁽³⁾ For mounting 3 contactors **LC1D●●A**, Star-Delta starter kit **LAD9SD3** must be ordered separately, see page B8/52.⁽⁴⁾ Please refer to Type 2 coordination tables for higher ratings.

Coordination: Star-Delta with Thermal magnetic circuit breaker + Contactors

1.5 to 90 kW at 400/415 and 440 V: type 2 coordination

Maximum operating rate: LC1D: 30 starts/hour.

Maximum starting time: LC1D: 30 seconds.

Standard power ratings of 3-phase motors 50-60 Hz in category AC-3e								Circuit breaker		Star-delta contactors
400/415 V				440 V				Reference	Setting range of thermal trips	Reference
P	I _e	I _{rD} ⁽⁶⁾	I _q	P	I _e	I _{rD} ⁽⁶⁾	I _q ⁽¹⁾		A	
kW	A	A	kA	kW	A	A	kA			
1.5	3.6	–	130	1.5	3.3	–	130	GV2P08	2.5...4	3 x LC1D09 ⁽²⁾
2.2	4.9	–	130	2.2	4.5	–	130	GV2P10	4...6.3	3 x LC1D18 ⁽³⁾
–	–	–	–	3	5.9	–	130	GV2P10	4...6.3	3 x LC1D18 ⁽³⁾
3	6.5	–	130	–	–	–	–	GV2P14	6...10	3 x LC1D18 ⁽³⁾
4	8.5	–	130	4	7.8	–	130	GV2P14	6...10	3 x LC1D18 ⁽³⁾
5.5	11.5	–	50	5.5	10.5	–	50	GV2P16	9...14	3 x LC1D25 ⁽³⁾
–	–	–	–	7.5	14.1	–	50	GV2P16	9...14	3 x LC1D25 ⁽³⁾
7.5	15.5	–	50	9	16.9	–	20	GV2P20	13...18	3 x LC1D25 ⁽³⁾
9	18.1	–	50	11	20	–	20	GV2P21	17...23	3 x LC1D25 ⁽³⁾
11	22	–	50	–	–	–	–	GV2P22	20...25	3 x LC1D25 ⁽³⁾
15	29	–	50	15	27	–	50	GV3P32	23...32	3 x LC1D40A ⁽⁴⁾
18.5	35	–	50	–	–	–	–	GV3P40	30...40	2 x LC1D50A + LC1D40A ⁽³⁾
–	–	–	–	18.5	32	–	50	GV3P40	30...40	2 x LC1D65A + LC1D40A ⁽⁴⁾
22	41	–	50	–	–	–	–	GV3P50	37...50	2 x LC1D50A + LC1D40A ⁽³⁾
–	–	–	–	22	39	–	50	GV3P50	37...50	2 x LC1D65A + LC1D40A ⁽⁴⁾
30	55	–	50	30	51	–	50	GV3P65	48...65	2 x LC1D65A + LC1D40A ⁽⁴⁾
37	66	–	100	37	73	–	70	GV4P80S	40...80	3 x LC1D80 ⁽⁵⁾
–	–	–	–	45	73	–	70	GV4P80S	40...80	3 x LC1D65A ⁽⁴⁾
45	80	–	100	–	–	–	–	GV4P115S	65...115	2 x LC1D115A + LC1D40A
55	97	–	100	55	88	–	70	GV4P115S	65...115	2 x LC1D115A + LC1D50A
75	132	78	70	75	120	74	65	GV5P150H	70...150	2 x LC1D115A + LC1D50A
–	–	–	–	90	146	86	65	GV5P150H	70...150	2 x LC1D115A + LC1D50A

(1) The breaking performance of circuit breakers GV2P can be increased by adding a current limiter GV1L3, please refer to page B6/21.

(2) For mounting 3 contactors LC1D09, Star-Delta starter kit LAD91217 must be ordered separately, please refer to page B8/52.

(3) For mounting 3 contactors LC1D18 or LC1D25, Star-Delta starter kit LAD93217 must be ordered separately, please refer to page B8/52.

(4) For mounting 3 contactors LC1D●●A, Star-Delta starter kit LAD9SD3 must be ordered separately, please refer to page B8/52.

(5) For mounting 3 contactors LC1D80, Star-Delta starter kit LA9D8017 must be ordered separately, please refer to page B8/52.

(6) I_{rD}: current in the motor windings in delta connection.

Coordination: Star-Delta with Thermal magnetic circuit breaker + Contactors

Contactor: **Maximum operating rate:** 30 starts/hour - **Maximum starting time:** 30 seconds.

The coordination table is for normal starting conditions (Class 10e/ 20e). For other heavy starting applications with long start times, please contact your technical support.

RE17RMMWS timer to be used for Star-Delta starter application.

90 to 250 kW at 400/415 V: type 2 coordination (with TeSys GV5/GV6 circuit breakers)							
Standard power ratings of 3-phase motors 50/60 Hz in category AC-3e			Circuit breaker			Contactor Line (KM2) / Delta (KM3) ⁽³⁾	Contactor Star (KM1) ⁽³⁾
400/415 V			Product type ⁽¹⁾	Ir setting ⁽²⁾	Irm ⁽²⁾	Product type	
P	Ie	Iq (max)					
kW	A	kA		A	A		
90	160	70	GV5P220●	170	1360	LC1G115	LC1D65
110	195	70	GV5P220●	200	1600	LC1G150	LC1D80
110	195	70	GV6P320●	200	1600	LC1G150	LC1D80
132	230	70	GV6P320●	240	1920	LC1G150	LC1D95
160	280	70	GV6P320●	300	2400	LC1G185	LC1G115
200	350	70	GV6P500●	380	3040	LC1G225	LC1G115
220	380	70	GV6P500●	400	3200	LC1G265	LC1G150
250	430	70	GV6P500●	440	3520	LC1G265	LC1G150

⁽¹⁾ Product type to be completed by replacing the ● with the breaking performance code:

Rated conditional short-circuit (kA)	GV5P220● GV6P320●/GV6P500●	
Breaking performance code	F	H
400/415 V	36	70

90 to 450 kW at 400/415 V: type 2 coordination (with ComPact NSX/NS circuit breakers)							
Standard power ratings of 3-phase motors 50/60 Hz in category AC-3e			Circuit breaker			Contactor Line (KM2) / Delta (KM3) ⁽³⁾	Contactor Star (KM1) ⁽³⁾
400/415 V			Product type ⁽¹⁾	Ir setting ⁽²⁾	Irm ⁽²⁾	Product type	
P	Ie	Iq (max)					
kW	A	kA		A	A		
90	160	130	NSX250● + MicroLogic 2.2 M	170	1360	LC1G115	LC1D65
110	195	130	NSX250● + MicroLogic 2.2 M	200	1600	LC1G150	LC1D80
110	195	130	NSX400● + MicroLogic 2.3 M	200	1600	LC1G150	LC1D80
132	230	130	NSX400● + MicroLogic 2.3 M	240	1920	LC1G150	LC1D95
160	280	130	NSX400● + MicroLogic 2.3 M	300	2400	LC1G185	LC1G115
200	350	130	NSX630● + MicroLogic 2.3 M	380	3040	LC1G225	LC1G115
220	380	130	NSX630● + MicroLogic 2.3 M	400	3200	LC1G265	LC1G150
250	430	130	NSX630● + MicroLogic 2.3 M	440	3520	LC1G265	LC1G150
300	500	130	NS800● + MicroLogic 5.0	480	4480	LC1G330	LC1G185
335	575	130	NS800● + MicroLogic 5.0	640	5120	LC1G400	LC1G225
355	610	130	NS800● + MicroLogic 5.0	640	5120	LC1G400	LC1G225
400	690	130	NS800● + MicroLogic 5.0	720	5760	LC1G500	LC1G265
450	770	130	NS1000● + MicroLogic 5.0	784	6272	LC1G500	LC1G330

⁽¹⁾ Product type to be completed by replacing the ● with the breaking performance code:

Rated conditional short-circuit (kA)	NSX250●/ NSX400●/ NSX630●					NS800●/ NS1000●
Breaking performance code	F	N	H	S	L	L
400/415 V	36	50	70	100	150	150

⁽²⁾ This setting is a general guidance, Ir and Irm should be adjusted according to motor characteristics and conditions of use.

⁽³⁾ Please refer to diagram page A5/43.

Coordination and standards

Coordination: Star-Delta with Thermal magnetic circuit breaker + Contactors

Contactor: **Maximum operating rate:** 30 starts/hour - **Maximum starting time:** 30 seconds.
 The coordination table is for normal starting conditions (Class 10e/ 20e). For other heavy starting applications with long start times, please contact your technical support.
RE17RMMWS timer to be used for Star-Delta starter application.

110 to 300 kW at 440 V: type 2 coordination (with TeSys GV5/GV6 circuit breakers)							
Standard power ratings of 3-phase motors 50/60 Hz in category AC-3e			Circuit breaker			Contactor Line (KM2) / Delta (KM3) ⁽³⁾	Contactor Star (KM1) ⁽³⁾
440 V			Product type ⁽¹⁾	Ir setting ⁽²⁾	Irm ⁽²⁾	Product type	
P	Ie	Iq (max)		A	A		
kW	A	kA					
110	177	65	GV5P220●	185	1480	LC1G115	LC1D65
132	209	65	GV5P220●	210	1680	LC1G150	LC1D80
160	255	65	GV6P320●	260	2080	LC1G185	LC1G115
200	318	65	GV6P320●	320	2560	LC1G225	LC1G115
220	343	65	GV6P500●	350	2800	LC1G225	LC1G150
250	390	65	GV6P500●	400	3200	LC1G265	LC1G150
300	466	65	GV6P500●	470	3760	LC1G330	LC1G185

(1) Product type to be completed by replacing the ● with the breaking performance code:

Rated conditional short-circuit (kA)	GV5P220●			GV6P320●/GV6P500●		
Breaking performance code	F	H		F	H	
440 V	35	65		30	65	

110 to 450 kW at 440 V: type 2 coordination (with ComPact NSX/NS circuit breakers)							
Standard power ratings of 3-phase motors 50/60 Hz in category AC-3e			Circuit breaker			Contactor Line (KM2) / Delta (KM3) ⁽³⁾	Contactor Star (KM1) ⁽³⁾
440 V			Product type ⁽¹⁾	Ir setting ⁽²⁾	Irm ⁽²⁾	Product type	
P	Ie	Iq (max)		A	A		
kW	A	kA					
110	177	130	NSX250● + MicroLogic 2.2 M	185	1480	LC1G115	LC1D65
132	209	130	NSX250● + MicroLogic 2.2 M	210	1680	LC1G150	LC1D80
160	255	130	NSX400● + MicroLogic 2.3 M	260	2080	LC1G185	LC1G115
200	318	130	NSX400● + MicroLogic 2.3 M	320	2560	LC1G225	LC1G115
220	343	130	NSX630● + MicroLogic 2.3 M	350	2800	LC1G225	LC1G150
250	390	130	NSX630● + MicroLogic 2.3 M	400	3200	LC1G265	LC1G150
300	466	130	NSX630● + MicroLogic 2.3 M	470	3760	LC1G330	LC1G185
335	521	130	NS800● + MicroLogic 5.0	560	4480	LC1G330	LC1G185
355	554	130	NS800● + MicroLogic 5.0	560	4480	LC1G400	LC1G225
400	627	130	NS800● + MicroLogic 5.0	640	5120	LC1G400	LC1G225
450	695	130	NS800● + MicroLogic 5.0	720	5760	LC1G500	LC1G265

(1) Product type to be completed by replacing the ● with the breaking performance code:

Rated conditional short-circuit (kA)	NSX250●					NSX400●/ NSX630●					NS800●
Breaking performance code	F	N	H	S	L	F	N	H	S	L	L
440 V	35	50	65	100	130	30	42	65	100	130	130

(2) This setting is a general guidance, Ir and Irm should be adjusted according to motor characteristics and conditions of use.

(3) Please refer to diagram page A5/43.

Coordination and standards

Coordination: Star-Delta with Thermal magnetic circuit breaker + Contactors

Contactor: **Maximum operating rate:** 30 starts/hour - **Maximum starting time:** 30 seconds.

The coordination table is for normal starting conditions (Class 10e/ 20e). For other heavy starting applications with long start times, please contact your technical support.

RE17RMMWS timer to be used for Star-Delta starter application.

132 to 295 kW at 500 V: type 2 coordination (with TeSys GV5/ GV6 circuit breakers)							
Standard power ratings of 3-phase motors 50/60 Hz in category AC-3e			Circuit breaker			Contactor Line (KM2) / Delta (KM3) ⁽³⁾	Contactor Star (KM1) ⁽³⁾
500 V			Product type ⁽¹⁾	Ir setting ⁽²⁾	Irm ⁽²⁾	Product type	
P	Ie	Iq (max)		A	A		
kW	A	kA					
132	184	50	GV5P220●	185	1480	LC1G115	LC1D65
160	224	50	GV6P320●	240	1920	LC1G150	LC1D80
200	280	50	GV6P320●	300	2400	LC1G185	LC1G115
250	344	50	GV6P500●	350	2800	LC1G225	LC1G115
295	405	50	GV6P500●	440	3520	LC1G265	LC1G150

⁽¹⁾ Product type to be completed by replacing the ● with the breaking performance code:

Rated conditional short-circuit (kA)	GV5P220●			GV6P320●/ 500●		
Breaking performance code	F	H		F	H	
500 V	30	50		25	50	

132 to 425 kW at 500 V: type 2 coordination (with ComPact NSX/ NS circuit breakers)							
Standard power ratings of 3-phase motors 50/60 Hz in category AC-3e			Circuit breaker			Contactor Line (KM2) / Delta (KM3) ⁽³⁾	Contactor Star (KM1) ⁽³⁾
500 V			Product type ⁽¹⁾	Ir setting ⁽²⁾	Irm ⁽²⁾	Product type	
P	Ie	Iq (max)		A	A		
kW	A	kA					
132	184	70	NSX250● + MicroLogic 2.2 M	185	1480	LC1G115	LC1D65
160	224	70	NSX400● + MicroLogic 2.3 M ⁽⁴⁾	240	1920	LC1G150	LC1D80
200	280	70	NSX400● + MicroLogic 2.3 M ⁽⁴⁾	300	2400	LC1G185	LC1G115
250	344	70	NSX630● + MicroLogic 2.3 M ⁽⁴⁾	350	2800	LC1G225	LC1G115
295	405	70	NSX630● + MicroLogic 2.3 M ⁽⁴⁾	440	3520	LC1G265	LC1G150
375	516	70	NS800● + MicroLogic 5.0	560	4480	LC1G330	LC1G185
425	584	70	NS800● + MicroLogic 5.0	640	5120	LC1G400	LC1G225

⁽¹⁾ Product type to be completed by replacing the ● with the breaking performance code:

Rated conditional short-circuit (kA)	NSX250●					NSX400●/ NSX630●					NS800●
Breaking performance code	F	N	H	S	L	F	N	H	S	L	L
500 V	30	36	50	65	70	25	30	50	65	70	100

⁽²⁾ This setting is a general guidance, Ir and Irm should be adjusted according to motor characteristics and conditions of use.

⁽³⁾ Please refer to diagram page A5/43.

⁽⁴⁾ Applicable also with MicroLogic 6.2 E-M and 6.3 E-M trip units.

Coordination: Star-Delta with Thermal magnetic circuit breaker + Contactors

Contactor: **Maximum operating rate:** 30 starts/hour - **Maximum starting time:** 30 seconds.
 The coordination table is for normal starting conditions (Class 10e/ 20e). For other heavy starting applications with long start times, please contact your technical support.
RE17RMMWS timer to be used for Star-Delta starter application.

55 to 560 kW at 690 V: type 2 coordination (with ComPact NSX / NS circuit breakers)							
Standard power ratings of 3-phase motors 50/60 Hz in category AC-3e			Circuit breaker			Contactor Line (KM2) / Delta (KM3) ⁽³⁾	Contactor Star (KM1) ⁽³⁾
690 V			Product type ⁽¹⁾	Ir setting ⁽²⁾	Irm ⁽²⁾	Product type	
P	Ie	Iq (max)		A	A		
kW	A	kA					
55	57	75	NSX100● + MicroLogic 2.2 M	60	1500	LC1G115	LC1G115
75	77	75	NSX100● + MicroLogic 2.2 M	80	1500	LC1G115	LC1G115
90	93	75	NSX250● + MicroLogic 2.2 M	95	1500	LC1G150	LC1G115
110	113	75	NSX250● + MicroLogic 2.2 M	115	2250	LC1G185	LC1G115
132	134	75	NSX250● + MicroLogic 2.2 M	140	2250	LC1G225	LC1G115
160	162	75	NSX250● + MicroLogic 2.2 M	170	3300	LC1G225	LC1G115
200	203	75	NSX250● + MicroLogic 2.2 M	210	3300	LC1G265	LC1G150
220	223	75	NSX400● + MicroLogic 2.3 M	240	4800	LC1G330	LC1G185
250	250	75	NSX400● + MicroLogic 2.3 M	260	4800	LC1G400	LC1G225
315	313	75	NSX630● + MicroLogic 2.3 M	320	4800	LC1G400	LC1G225
335	335	75	NSX630● + MicroLogic 2.3 M	350	6500	LC1G500	LC1G265
355	354	75	NSX630● + MicroLogic 2.3 M	380	6500	LC1G500	LC1G265
375	374	75	NSX630● + MicroLogic 2.3 M	380	6500	LC1G630	LC1G330
400	400	75	NSX630● + MicroLogic 2.3 M	440	6500	LC1G630	LC1G330
450	455	75	NSX630● + MicroLogic 2.3 M	470	6500	LC1G630	LC1G330
475	475	75	NSX630● + MicroLogic 2.3 M	500	6500	LC1G630	LC1G330
500	493	75	NSX630● + MicroLogic 2.3 M	500	6500	LC1G630	LC1G330
560	551	75	NS800● + MicroLogic 5.0	560	12000	LC1G800	LC1G400

(1) Product type to be completed by replacing the ● with the breaking performance code:

Rated conditional short-circuit (kA)	NSX100●/ NSX250●/ NSX400●/ NSX630●		NS800●
Breaking performance code	HB1	HB2	LB
690 V	75	100	75

(2) This setting is a general guidance, Ir and Irm should be adjusted according to motor characteristics and conditions of use.

(3) Please refer to diagram page A5/43.

Coordination and standards

Coordination: Star-Delta with Magnetic circuit breaker + Contactors + Thermal overload relay

1.5 to 75 kW at 400/415 and 440 V: type 1 coordination

Maximum operating rate: LC3K: 12 starts/hour; LC3D: 30 starts/hour.

Maximum starting time: LC3K and LC3D: 30 seconds.

Standard power ratings of 3-phase motors 50/60 Hz in category AC-3e								Circuit breaker			Star-Delta contactors	Thermal overload relay	
400/415 V				440 V				Reference	Rating	I _{rm} ⁽²⁾	Reference	Reference	Setting range
P	I _e	I _{rD} ⁽¹⁾	I _q	P	I _e	I _{rD} ⁽¹⁾	I _q		A	A			A
kW	A	A	kA	kW	A	A	kA						
–	–	–	–	1.5	3.3	1.8	50	GV2LE08	4	74	LC3K06	LR2K0308	1.8...2.6
1.5	3.6	2	50	2.2	4.5	3	50						
2.2	4.9	3	50	3	5.9	3	50	GV2LE10	6.3	91	LC3K06	LR2K0310	2.6...3.7
3	6.5	4	50	–	–	–	–	GV2LE14	10	149	LC3K06	LR2K0312	3.7...5.5
–	–	–	–	4	7.8	5	50	GV2LE10	6.3	91	LC3K06	LR2K0312	3.7...5.5
4	8.5	5	50	–	–	–	–	GV2LE14	10	149	LC3K06	LR2K0312	3.7...5.5
–	–	–	–	5.5	10.5	6	15	GV2LE14	10	149	LC3K06	LR2K0314	5.5...8
5.5	11.5	6	15	–	–	–	–	GV2LE16	14	253.4	LC3K06	LR2K0314	5.5...8
–	–	–	–	7.5	14.1	8	8	GV2LE16	14	253.4	LC3K09	LR2K0316	8...11.5
7.5	15.5	9	15	–	–	–	–	GV2LE20	18	341	LC3K09	LR2K0316	8...11.5
–	–	–	–	9	16.9	1	8	GV2LE16	14	253.4	LC3D12A	LRD16	9...13
9	18.1	10	15	–	–	–	–	GV2LE22	25	388.3	LC3K12	LR2K0316	8...11.5
–	–	–	–	11	20	12	8	GV2LE20	18	341	LC3K12	LR2K0321	10...14
11	22	12	15	–	–	–	–	GV2LE22	25	388.3	LC3K12	LR2K0321	10...14
–	–	–	–	15	27	15	6	GV2LE22	25	388.3	LC3D18A	LRD21	12...18
15	29	16	10	–	–	–	–	GV2LE32	32	537.6	LC3D18A	LRD21	12...18
18.5	35	20	50	18.5	32	19	50	GV3L40	40	560	LC3D18A	LRD22	16...24
22	41	24	50	22	39	23	50	GV3L50	50	700	LC3D32A	LRD32	23...32
–	–	–	–	30	51	30	50	GV3L65	65	910	LC3D32A	LRD32	23...32
30	55	33	50	–	–	–	–	GV3L65	65	910	LC3D32A	LRD35	30...38
–	–	–	–	37	64	37	50	GV3L65	65	910	3 x LC1D40A ⁽⁴⁾	LRD340	30...40
37	66	40	100	–	–	–	–	GV4L80	80	640	3 x LC1D40A ⁽⁴⁾	LRD350	37...50
–	–	–	–	37	64	37	70	GV4L80	80	640	3 x LC1D40A ⁽⁴⁾	LRD340	30...40
–	–	–	–	45	76	44	70	GV4L80	80	800	2 x LC1D50A +1 x LC1D40A ⁽⁴⁾	LRD350	37...50
45	80	47	100	–	–	–	–	GV4L115	115	805	2 x LC1D50A +1 x LC1D40A ⁽⁴⁾	LRD350	37...50
55	97	58	100	55	90	52	70	GV4L115	115	805	2 x LC1D50A +1 x LC1D40A ⁽⁴⁾	LRD365	48...65
–	–	–	–	75 ⁽⁵⁾	125	72	⁽³⁾	NSX160●MA ⁽³⁾	150	1200	LC3D80	LRD3363	63...80
75 ⁽⁵⁾	132	78	⁽³⁾	–	–	–	–	NSX160●MA ⁽³⁾	150	1200	LC3D80	LRD3363	63...80

(1) I_{rD}: current in the motor windings in delta connection.

(2) This setting is a general guidance, I_r and I_{rm} should be adjusted according to motor characteristics and conditions of use.

(3) Product type to be completed by replacing the ● with the breaking performance code:

Breaking performance I _q (kA)	NSX100●MA		NSX160●MA, NSX250●MA		NSX400●, NSX630●		NS800●	
400/415 V	36	70	36	70	70	150	70	150
440 V	35	65	35	65	65	130	65	130
Code	F	H	F	H	H	L	H	L

(4) For mounting 3 contactors LC1D●●A, Star-Delta starter kit LAD9SD3 must be ordered separately, see page B8/52.

(5) Please refer to Type 2 coordination tables for higher ratings.

Coordination
and
standards

Coordination: Star-Delta with Magnetic circuit breaker + Contactors + Thermal overload relay

1.5 to 90 kW at 400/415 and 440 V: type 2 coordination

Maximum operating rate: LC3D: 30 starts/hour.

Maximum starting time: LC3D: 30 seconds.

Standard power ratings of 3-phase motors 50/60 Hz in category AC-3e

Standard power ratings of 3-phase motors 50/60 Hz in category AC-3e						Circuit breaker			Star-Delta contactors		Thermal overload relay	
400/415 V			440 V			Reference	Rating	I _{rm} ⁽¹⁾	Reference	Reference	Setting range	
P	I _e	I _q	P	I _e	I _q		A	A			A	
kW	A	kA	kW	A	kA							
1.5	3.6	130	1.5	3.3	130	GV2L08	4	74	3 x LC1D09	LRD08	2.5...4	
2.2	4.9	130	2.2	4.5	130	GV2L10	6.3	91	3 x LC1D09	LRD10	4...6	
3	6.5	130	3	5.9	130							
4	8.5	130	4	7.8	20	GV2L14	10	149	3 x LC1D18	LRD14	7...10	
5.5	11.5	50	5.5	10.5	20	GV2L16	14	253.4	3 x LC1D25	LRD16	9...13	
7.5	15.5	50	7.5	14.1	20	GV2L20	18	341	3 x LC1D25	LRD21	12...18	
-	-	-	9	16.9	20	GV2L22	25	388.3	3 x LC1D25	LRD21	12...18	
9	18.1	50	-	-	-	GV2L22	25	388.3	3 x LC1D25	LRD22	16...24	
11	22	50	11	20	20							
15	29	50	15	27	50	GV3L32	32	448	3 x LC1D40A ⁽²⁾	LRD332	23...32	
18.5	35	50	-	-	-	GV3L40	40	560	2 x LC1D50A + LC1D40A ⁽²⁾	LRD340	30...40	
-	-	-	18.5	32	50	GV3L40	40	560	2 x LC1D65A + LC1D40A ⁽²⁾	LRD340	30...40	
22	41	50	-	-	-	GV3L50	50	700	2 x LC1D50A + LC1D40A ⁽²⁾	LRD350	37...50	
-	-	-	22	39	50	GV3L50	50	700	2 x LC1D65A + LC1D40A ⁽²⁾	LRD350	37...50	
30	55	50	30	51	50	GV3L65	65	910	2 x LC1D65A + LC1D40A ⁽²⁾	LRD365	48...65	
-	-	-	37	64	50	GV3L65	65	910	3 x LC1D80	LRD3359	48...65	
37	66	100	-	-	-	GV4L80	80	640	3 x LC1D80	LRD3363	63...80	
-	-	-	45	76	70	GV4L80	80	800	3 x LC1D80	LRD3363	63...80	
45	80	100	-	-	-	GV4L115	115	805	2 x LC1D115A + LC1D40A	LRD3357 + LA7D3058	37...50	
-	-	-	55	88	70	GV4L115	115	920	2 x LC1D115A + LC1D40A	LRD3359 + LA7D3058	48...65	
55	97	100	-	-	-	GV4L115	115	920	2 x LC1D115A + LC1D40A	LRD3359 + LA7D3058	48...65	
55	97	36	-	-	-	NSX160●MA ⁽³⁾	150	1200	2 x LC1D115A + LC1D40A	LRD3359 + LA7D3058	48...65	
-	-	-	75	120	35	NSX160●MA ⁽³⁾	150	1200	2 x LC1D115A + LC1D50A	LR9G115	28...115	
75	132	36	90	146	35	NSX160●MA ⁽³⁾	150	1200	2 x LC1D115A + LC1D50A	LR9G115	28...115	

(1) I_{rm}: setting current of the magnetic trip.

(2) For mounting 3 contactors LC1D●●A, Star-Delta starter kit LAD9SD3 must be ordered separately, see page B8/52.

(3) Product type to be completed by replacing the ● with the breaking performance code:

Breaking performance I _q (kA)	NSX100●MA		NSX160●MA, NSX250●MA		NSX400●, NSX630●	
400/415 V	36	70	36	70	70	150
440 V	35	65	35	65	65	130
Code	F	H	F	H	H	L

Coordination and standards

Coordination: Star-Delta with Magnetic circuit breaker + Contactors + Overload relay

Contactors: **Maximum operating rate:** 30 starts/hour - **Maximum starting time:** 30 seconds.

The coordination table is for normal starting conditions (Class 10e/ 20e). For other heavy starting applications with long start times, please contact your technical support.

RE17RMMWS timer to be used for Star-Delta starter application.

90 to 450 kW at 400/415 V: type 2 coordination (with ComPacT NSX/NS circuit breakers and LR9G overload relays)

Standard power ratings of 3-phase motors 50/60 Hz in category AC-3e			Circuit breaker	Contactor Line (KM2) / Delta (KM3) ⁽³⁾	Contactor Star (KM1) ⁽³⁾	Electronic thermal overload relay		
400/415 V			Product type ⁽¹⁾	I _{rm} ⁽²⁾	Product type	Product type	I _r setting ⁽²⁾	
P	I _e	I _q (max)		A			A	
kW	A	kA						
90	160	130	NSX250● + MA	1980	LC1G115	LC1D65	LR9G115	92
110	195	130	NSX250● + MA	1980	LC1G150	LC1D80	LR9G225	113
110	195	130	NSX400● + MicroLogic 1.3 M	1920	LC1G150	LC1D80	LR9G225	113
132	230	130	NSX400● + MicroLogic 1.3 M	1920	LC1G150	LC1D80	LR9G225	133
160	280	130	NSX400● + MicroLogic 1.3 M	2560	LC1G185	LC1G115	LR9G225	162
200	350	130	NSX630● + MicroLogic 1.3 M	3000	LC1G225	LC1G150	LR9G225	202
220	380	130	NSX630● + MicroLogic 1.3 M	3500	LC1G265	LC1G150	LR9G500	219
250	430	130	NSX630● + MicroLogic 1.3 M	3500	LC1G265	LC1G150	LR9G500	248
300	500	130	NS800● + MicroLogic 5.0 LR OFF	4800	LC1G330	LC1G185	LR9G500	266
335	575	130	NS800● + MicroLogic 5.0 LR OFF	4800	LC1G400	LC1G225	LR9G500	332
355	610	130	NS800● + MicroLogic 5.0 LR OFF	5600	LC1G400	LC1G225	LR9G500	352
400	690	130	NS800● + MicroLogic 5.0 LR OFF	5600	LC1G500	LC1G265	LR9G500	362
450	695	130	NS800● + MicroLogic 5.0 LR OFF	6400	LC1G500	LC1G265	LR9G500	401

(1) Product type to be completed by replacing the ● with the breaking performance code:

Rated conditional short-circuit (kA)	NSX250●/ NSX400●/ NSX630●					NS800●
	F	N	H	S	L	L
400/415 V	36	50	70	100	130	150

110 to 355 kW at 440 V: type 2 coordination (with ComPacT NSX/NS circuit breakers and LR9G overload relays)

Standard power ratings of 3-phase motors 50/60 Hz in category AC-3e			Circuit breaker	Contactor Line (KM2) / Delta (KM3) ⁽³⁾	Contactor Star (KM1) ⁽³⁾	Electronic thermal overload relay		
440 V			Product type ⁽¹⁾	I _{rm} ⁽²⁾	Product type	Product type	I _r setting ⁽²⁾	
P	I _e	I _q (max)		A			A	
kW	A	kA						
110	177	130	NSX250● + MA	1980	LC1G115	LC1D65	LR9G115	102
132	209	130	NSX250● + MA	1980	LC1G150	LC1D80	LR9G225	121
160	255	130	NSX400● + MicroLogic 1.3 M	2240	LC1G185	LC1D95	LR9G225	147
200	318	130	NSX400● + MicroLogic 1.3 M	2560	LC1G225	LC1G115	LR9G225	184
220	343	130	NSX630● + MicroLogic 1.3 M	3000	LC1G225	LC1G150	LR9G225	198
250	390	130	NSX630● + MicroLogic 1.3 M	3500	LC1G265	LC1G150	LR9G500	225
300	466	130	NSX630● + MicroLogic 1.3 M	4000	LC1G330	LC1G185	LR9G500	269
335	521	130	NS800● + MicroLogic 5.0 LR OFF	4800	LC1G330	LC1G185	LR9G500	301
355	554	130	NS800● + MicroLogic 5.0 LR OFF	4800	LC1G400	LC1G225	LR9G500	320

(1) Product type to be completed by replacing the ● with the breaking performance code:

Rated conditional short-circuit (kA)	NSX250●					NSX400●/ NSX630●				NS800●
	F	N	H	S	L	F	N	S	L	L
440 V	35	50	65	100	130	30	42	100	130	130

(2) This setting is a general guidance, I_r and I_{rm} should be adjusted according to motor characteristics and conditions of use.

(3) Please refer to diagram page A5/43.

Coordination and standards

Coordination: Star-Delta with Magnetic circuit breaker + Contactors + Overload relay

Contactor: **Maximum operating rate:** 30 starts/hour - **Maximum starting time:** 30 seconds.

The coordination table is for normal starting conditions (Class 10e/ 20e). For other heavy starting applications with long start times, please contact your technical support.

RE17RMMWS timer to be used for Star-Delta starter application.

132 to 425 kW at 500 V: type 2 coordination (with ComPacT NSX/NS circuit breakers and LR9G overload relays)

Standard power ratings of 3-phase motors 50/60 Hz in category AC-3e			Circuit breaker	Contactor Line (KM2) / Delta (KM3) ⁽³⁾	Contactor Star (KM1) ⁽³⁾	Electronic thermal overload relay		
500 V			Product type ⁽¹⁾	I _{rm} ⁽²⁾	Product type	Product type	I _r setting ⁽²⁾	
P	I _e	I _q (max)						
kW	A	kA		A			A	
132	184	70	NSX400● + MicroLogic 1.3 M	1600	LC1G115	LC1D65	LR9G225	106
160	224	70	NSX400● + MicroLogic 1.3 M	1920	LC1G150	LC1D80	LR9G225	129
200	280	70	NSX400● + MicroLogic 1.3 M	2560	LC1G185	LC1G115	LR9G225	162
250	344	70	NSX630● + MicroLogic 1.3 M	3000	LC1G225	LC1G150	LR9G225	199
295	405	70	NSX630● + MicroLogic 1.3 M	3500	LC1G265	LC1G150	LR9G500	234
375	516	70	NS800● + MicroLogic 5.0	4800	LC1G330	LC1G185	LR9G500	298
425	584	70	NS800● + MicroLogic 5.0	4800	LC1G400	LC1G185	LR9G500	337

(1) Product type to be completed by replacing the ● with the breaking performance code:

Rated conditional short-circuit (kA)	NSX400●/ NSX630●					NS800●
Breaking performance code	F	N	H	S	L	L
500 V	25	30	50	65	70	100

(2) This setting is a general guidance, I_r and I_{rm} should be adjusted according to motor characteristics and conditions of use.

(3) Please refer to diagram page A5/43.

Coordination and standards

160 to 500 kW at 690 V: type 2 coordination (with ComPacT NSX circuit breakers and LR9G overload relays)

Standard power ratings of 3-phase motors 50/60 Hz in category AC-3e			Circuit breaker	Contactor Line (KM2) / Delta (KM3)	Contactor Star (KM1) ⁽³⁾	Thermal overload relay		
690 V			Product type ⁽¹⁾	I _{rm} ⁽²⁾	Product type	Product type	I _r setting ⁽²⁾	
P	I _e	I _q (max)						
kW	A	kA		A			A	
160	162	75	NSX250● + MA	3080	LC1G115	LC1D65	LR9G115	94
200	203	75	NSX250● + MA	3080	LC1G150	LC1D80	LR9G225	117
220	223	75	NSX400● + MicroLogic 1.3 M	4800	LC1G150	LC1D80	LR9G225	129
250	250	75	NSX400● + MicroLogic 1.3 M	4800	LC1G185	LC1G115	LR9G225	144
315	313	75	NSX630● + MicroLogic 1.3 M	6500	LC1G225	LC1G115	LR9G225	181
335	335	75	NSX630● + MicroLogic 1.3 M	6500	LC1G225	LC1G150	LR9G225	193
355	354	75	NSX630● + MicroLogic 1.3 M	6500	LC1G225	LC1G150	LR9G225	204
375	374	75	NSX630● + MicroLogic 1.3 M	6500	LC1G265	LC1G150	LR9G225	216
400	400	75	NSX630● + MicroLogic 1.3 M	6500	LC1G265	LC1G150	LR9G500	231
450	455	75	NSX630● + MicroLogic 1.3 M	6500	LC1G330	LC1G185	LR9G500	263
475	475	75	NSX630● + MicroLogic 1.3 M	6500	LC1G330	LC1G185	LR9G500	274
500	493	75	NSX630● + MicroLogic 1.3 M	6500	LC1G330	LC1G185	LR9G500	285

(1) Product type to be completed by replacing the ● with the breaking performance code:

Rated conditional short-circuit (kA)	NSX100●/ NSX250●/ NSX400●/ NSX630●	
Breaking performance code	HB1	HB2
690 V	75	100

(2) This setting is a general guidance, I_r and I_{rm} should be adjusted according to motor characteristics and conditions of use.

(3) Please refer to diagram page A5/43.

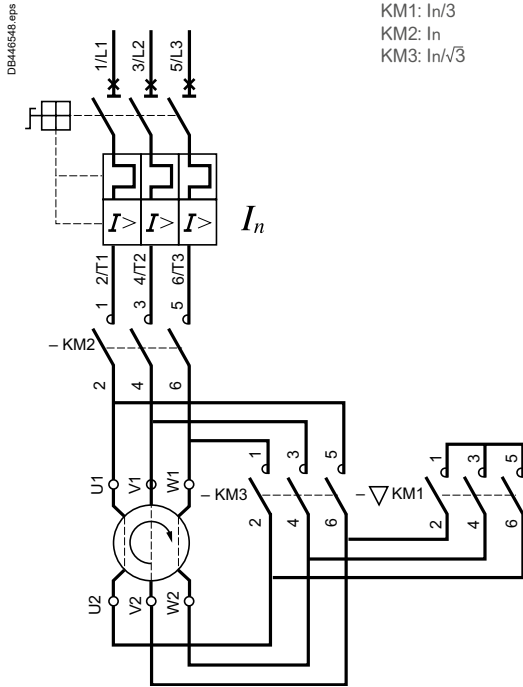
TeSys

Complementary technical information

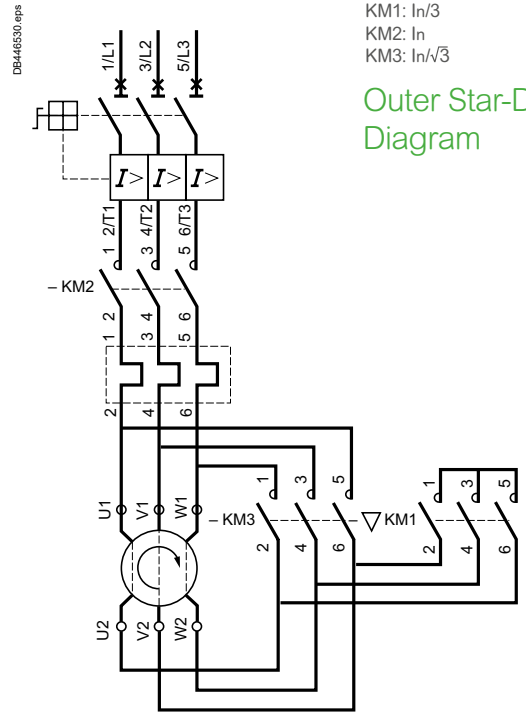
Coordination: Star-Delta motor starter - Common circuit diagrams

TeSys Deca < 100 A Star-Delta motor starter 'Power' circuit diagram

Thermal magnetic circuit breaker + contactors



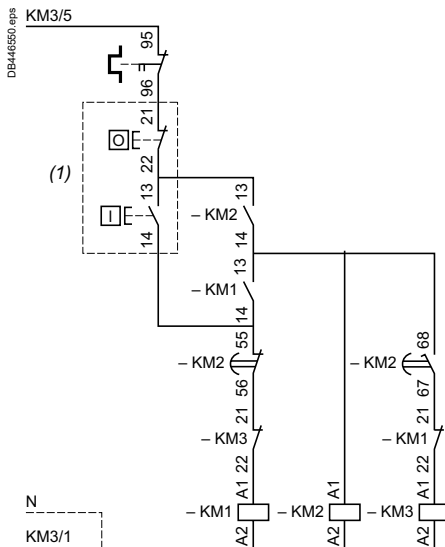
Magnetic circuit breaker + contactors + overload relay



Outer Star-Delta Diagram

Coordination and standards

Star-Delta motor starter 'Control' circuit diagram

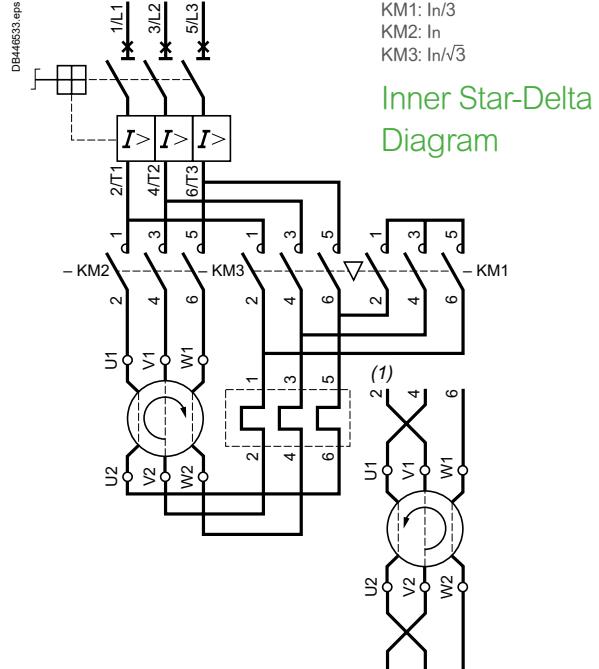
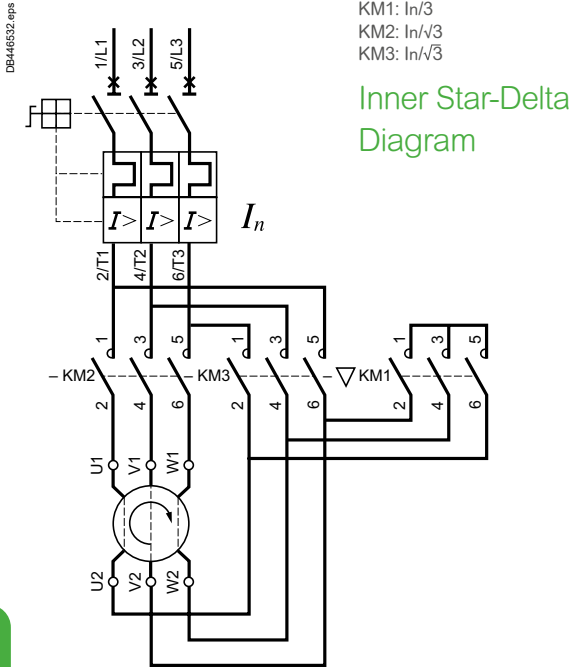


(1) Remote control.

TeSys Deca Advanced Star-Delta motor starter 'Power' circuit diagram ⁽³⁾

Thermal magnetic circuit breaker + contactors

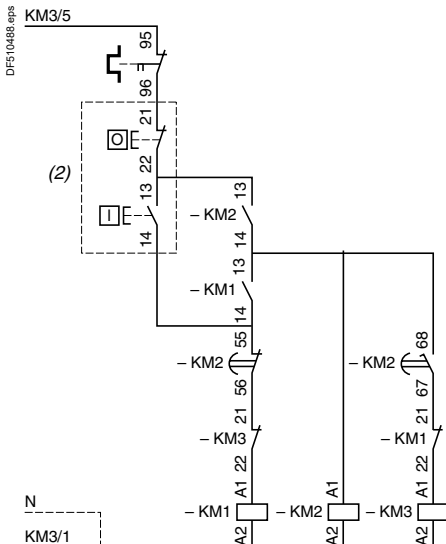
Magnetic circuit breaker + contactors + overload relay



Coordination and standards

Star-Delta motor starter 'Control' circuit diagram

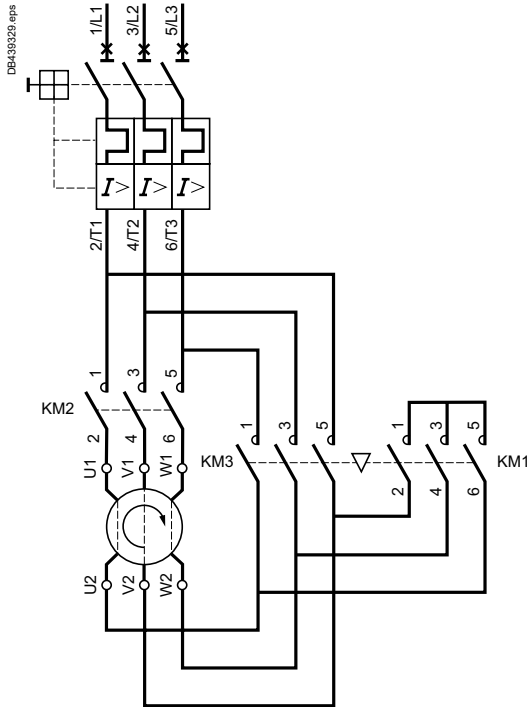
Magnetic circuit breaker + contactors + overload relay



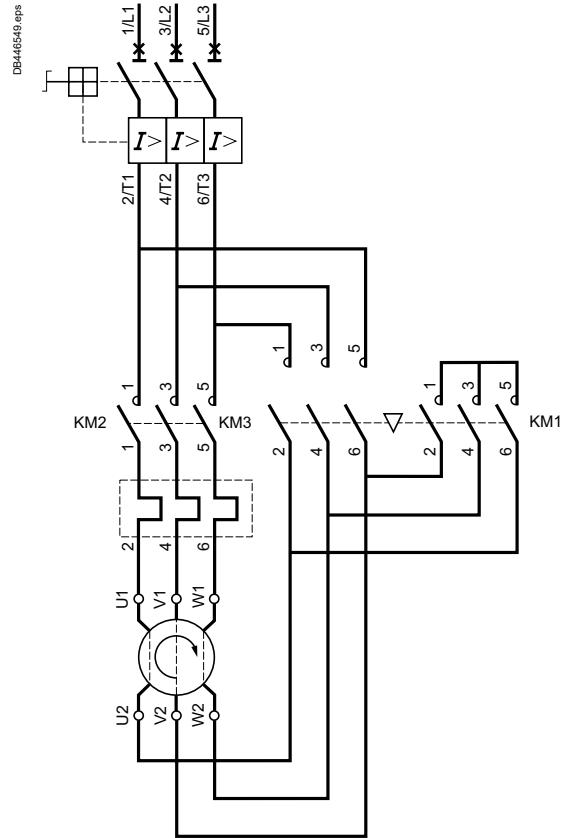
- (1) Recommended cabling for reversal of motor rotation (standard motor, viewed from shaft end).
- (2) Remote control.
- (3) Star-Delta coordination tables of LC1D115A - D150A contactors are based on inner Star-Delta diagram.

TeSys Giga star-delta motor 'Power' circuit diagram

Thermal magnetic circuit breaker + contactors

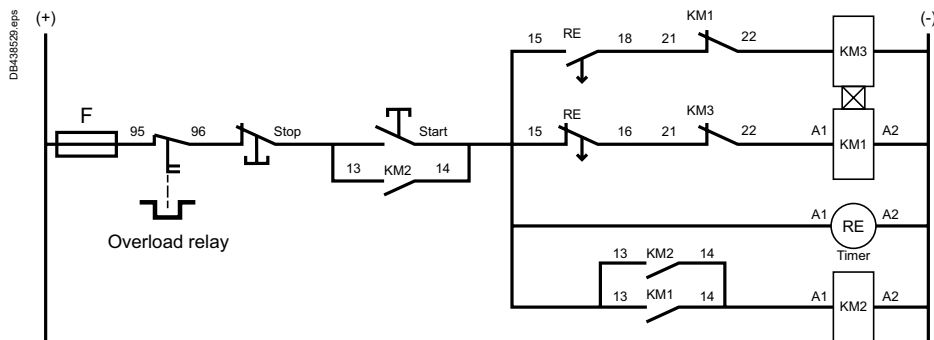


Magnetic circuit breaker + contactors + overload relay



Coordination
and
standards

TeSys Giga star-delta Motor 'Control' circuit diagram



Recommended timing relay (RE): Zelio Timer ref. **RE17RMMWS** (12...240 V AC/DC 50/60 Hz – 8 AAC/DC contacts)

TeSys

Complementary technical information

Resistive load protection and control

Coordination: Fuses (NFC, DIN type gG) + Contactors

250 to 1050 A up to 690 V: type 2 coordination (with NFC, DIN, type gG fuses)					
Current ratings of 3-phase loads 50/60 Hz in category AC-1		Switch-disconnector	gG fuse		Contactor
Up to 690 V, temperature ≤ 40 °C		Product type	Size	Rating	Product type
I _e	I _q (max)				
A	kA			A	
250	80	GS2QQ	2	315	LC1G115
275	80	GS2QQ	2	315	LC1G150
305	80	GS2QQ	2	315	LC1G185
330	80	GS2QQ	2	400	LC1G225
385	80	GS2QQ	2	400	LC1G265
440	80	GS2S	3	500	LC1G330
550	80	GS2S	3	630	LC1G400
700	80	GS2V	4	800	LC1G500
1050	80	GS2V	4	1250	LC1G630

TeSys

Complementary technical information

Resistive load protection and control

Coordination: Thermal magnetic circuit breakers + Contactors

275 to 1000 A up to 690 V: type 2 coordination (with LC1G and ComPact NSX or NS circuit breakers)				
Current ratings of 3-phase loads 50/60 Hz in category AC-1		Circuit breaker		Contactor
Up to 690 V, temperature $\leq 40^\circ\text{C}$		Product type ⁽¹⁾	In	Product type
Ie	Iq (max)		A	
A	kA		A	
275	100	NSX400● + MicroLogic 2.3	400	LC1G150
305	100	NSX400● + MicroLogic 2.3	400	LC1G185
330	100	NSX400● + MicroLogic 2.3	400	LC1G225
385	100	NSX400● + MicroLogic 2.3	400	LC1G265
440	100	NSX630● + MicroLogic 2.3	630	LC1G330
550	100	NSX630● + MicroLogic 2.3	630	LC1G400
700	75	NS800● + MicroLogic 5.0	800	LC1G500
1000	100 ⁽²⁾	NS1000● + MicroLogic 5.0	1000	LC1G630

⁽¹⁾ Product type to be completed by replacing the ● with the breaking performance code:

Rated conditional short-circuit (kA)	NSX400●/ NSX630●								NS800●/NS1000●	
	F	N	H	S	L	R	HB1	HB2	L	LB
400 V	36	50	70	100	150	200	-	-	150	200
440 V	30	42	65	90	130	200	-	-	130	200
500 V	25	30	50	65	70	80	85	100	100	100
690 V	10	10	20	25	35	45	75	100	-	75

⁽²⁾ Up to 500 V AC.

TeSys island motor starters

Standard, SIL Starters - Power Interface Modules

IEC - Type 1 or 2 coordination with fuses - 690 V

AC-3e category

690 V - Type 1 or 2 coordination with fuses			
Applications with 3-phase motors 50-60 Hz in category AC-3e	aM fuses	Standard Starters SIL Starters Power Interface Modules	
690 V	Rating	References	Setting range
I _q			
kA	A		A
80	≤10	TPRST009 TPRSS009 TPRPM009	0.18-9
	≤25	TPRST025 TPRSS025 -	0.5-25
	≤40	TPRST038 TPRSS038 TPRPM038	0.76-38
	≤80	TPRST065 TPRSS065 -	3.25-65
	≤80	TPRST080 TPRSS080 TPRPM080	4-80

Coordination
and
standards

0.06 to 22 kW at 230 V: Type 1 coordination					
Applications power ratings of 3-phase motors 50-60 Hz in category AC-3e			Circuit breaker (Trip class 5 to 15)	Standard Starters SIL Starters Power Interface Modules	
230 V			References	References	Setting range
P	I _e	I _q			
kW	A	kA			A
0.06	0.35	100	GV2L03	TPRST009 TPRSS009 TPRPM009	0.18-9
0.09	0.52	100	GV2L04	TPRST009 TPRSS009 TPRPM009	0.18-9
0.12	0.7	100	GV2L05	TPRST009 TPRSS009 TPRPM009	0.18-9
0.18	1	100	GV2L06	TPRST009 TPRSS009 TPRPM009	0.18-9
0.25	1.5	100	GV2L06	TPRST009 TPRSS009 TPRPM009	0.18-9
0.37	1.9	100	GV2L07	TPRST009 TPRSS009 TPRPM009	0.18-9
0.55	2.6	100	GV2L08	TPRST009 TPRSS009 TPRPM009	0.18-9
0.75	3.3	100	GV2L08	TPRST009 TPRSS009 TPRPM009	0.18-9
1.1	4.7	100	GV2L10	TPRST009 TPRSS009 TPRPM009	0.18-9
1.5	6.3	100	GV2L14	TPRST009 TPRSS009 TPRPM009	0.18-9
2.2	8.5	100	GV2L14	TPRST009 TPRSS009 TPRPM009	0.18-9
3	11.3	100	GV2L16	TPRST025 TPRSS025 TPRPM038	0.5-25 / 0.76-38
4	15	100	GV2L20	TPRST025 TPRSS025 TPRPM038	0.5-25 / 0.76-38
5.5	20	50	GV2L22	TPRST025 TPRSS025 TPRPM038	0.5-25 / 0.76-38
7.5	27	50	GV2L32	TPRST038 TPRSS038 TPRPM038	0.76-38
9	32	100	GV3L40	TPRST038 TPRSS038 TPRPM038	0.76-38
11	38	100	GV3L40	TPRST065 TPRSS065 TPRPM080	3.25-65 / 4-80
15	51	100	GV3L65	TPRST065 TPRSS065 TPRPM080	3.25-65 / 4-80
18.5	61	100	GV3L65	TPRST065 TPRSS065 TPRPM080	3.25-65 / 4-80
22	72	100	GV3L73	TPRPM080	4-80

0.06 to 18.5 kW at 230 V: Type 2 coordination					
Applications power ratings of 3-phase motors 50-60 Hz in category AC-3e			Circuit breaker (Trip class 5 to 15)	Standard Starters SIL Starters	
230 V			References	References	Setting range
P	I _e	I _q			
kW	A	kA			A
0.06	0.35	100	GV2L03	TPRST009 TPRSS009	0.18-9
0.09	0.52	100	GV2L04	TPRST009 TPRSS009	0.18-9
0.12	0.7	100	GV2L05	TPRST009 TPRSS009	0.18-9
0.18	1	100	GV2L06	TPRST009 TPRSS009	0.18-9
0.25	1.5	100	GV2L06	TPRST009 TPRSS009	0.18-9
0.37	1.9	100	GV2L07	TPRST009 TPRSS009	0.18-9
0.55	2.6	100	GV2L08	TPRST009 TPRSS009	0.18-9
0.75	3.3	100	GV2L08	TPRST025 TPRSS025	0.5-25
1.1	4.7	100	GV2L10	TPRST025 TPRSS025	0.5-25
1.5	6.3	100	GV2L14	TPRST025 TPRSS025	0.5-25
2.2	8.5	100	GV2L14	TPRST025 TPRSS025	0.5-25
3	11.3	100	GV2L16	TPRST025 TPRSS025	0.5-25
4	15	100	GV2L20	TPRST025 TPRSS025	0.5-25
5.5	20	50	GV2L22	TPRST025 TPRSS025	0.5-25
7.5	27	50	GV2L32	TPRST038 TPRSS038	0.76-38
9	32	100	GV3L40	TPRST038 TPRSS038	0.76-38
11	38	100	GV3L40	TPRST065 TPRSS065	3.25-65
15	51	100	GV3L65	TPRST065 TPRSS065	3.25-65
18.5	61	100	GV3L65	TPRST065 TPRSS065	3.25-65

0.06 to 37 kW at 400/415 - 440 - 500 V: Type 1 coordination											
Applications power ratings of 3-phase motors 50-60 Hz in category AC-3e									Circuit breaker (Trip class 5 to 15)	Standard Starters SIL Starters Power Interface Modules	
400/415 V			440 V			500 V			References	References	Setting range
P	I _e	I _q	P	I _e	I _q	P	I _e	I _q			
kW	A	kA	kW	A	kA	kW	A	kA		A	
0.06	0.2	100	0.06	0.18	100	-	-	-	GV2L03	TPRST009 TPRSS009 TPRPM009	0.18-9
0.09	0.3	100	0.09	0.27	100	-	-	-			
0.12	0.44	100	0.12	0.4	100	-	-	-	GV2L04	TPRST009 TPRSS009 TPRPM009	0.18-9
-	-	-	0.18	0.55	100	-	-	-			
0.18	0.6	100	-	-	-	-	-	-	GV2L05	TPRST009 TPRSS009 TPRPM009	0.18-9
0.25	0.85	100	0.25	0.77	100	-	-	-			
-	-	-	-	-	-	0.37	0.88	100			
0.37	1.1	100	0.37	1	100	-	-	-	GV2L06	TPRST009 TPRSS009 TPRPM009	0.18-9
0.55	1.5	100	0.55	1.4	100	0.55	1.2	100			
-	-	-	-	-	-	0.75	1.5	100	GV2L07	TPRST009 TPRSS009 TPRPM009	0.18-9
0.75	1.9	100	0.75	1.7	100	-	-	-			
-	-	-	-	-	-	1.1	2.2	100			
1.1	2.7	100	1.1	2.4	100	-	-	-	GV2L08	TPRST009 TPRSS009 TPRPM009	0.18-9
1.5	3.6	100	1.5	3.3	100	1.5	2.9	100			
2.2	4.9	100	2.2	4.5	100	2.2	3.9	100	GV2L10	TPRST009 TPRSS009 TPRPM009	0.18-9
-	-	-	-	-	-	3	5.2	100			
3	6.5	100	3	5.9	100	-	-	-	GV2L14	TPRST009 TPRSS009 TPRPM009	0.18-9
4	8.5	100	4	7.7	20	4	6.8	10			
-	-	-	-	-	-	5.5	9.2	10			
5.5	11.5	50	5.5	10.5	20	-	-	-	GV2L16	TPRST025 TPRSS025 TPRPM038	0.5-25 / 0.76-38
-	-	-	-	-	-	7.5	12.4	10			
7.5	15.5	50	7.5	14.1	20	-	-	-	GV2L20	TPRST025 TPRSS025 TPRPM038	0.5-25 / 0.76-38
-	-	-	9	16.5	20	9	13.9	10			
9	18.1	50	-	-	-	-	-	-	GV2L22	TPRST025 TPRSS025 TPRPM038	0.5-25 / 0.76-38
11	22	50	11	20	20	11	17.6	10			
-	-	-	-	-	-	15	23	10			
15	29	50	15	26.4	20	-	-	-	GV2L32	TPRST038 TPRSS038 TPRPM038	0.76-38
-	-	-	-	-	-	18.5	28	10			
18.5	35	50	18.5	31.8	50	-	-	-	GV3L40	TPRST065 TPRSS065 TPRPM080	3.25-65 / 4-80
-	-	-	-	-	-	22	33	12			
22	41	50	22	37.3	50	-	-	-	GV3L50	TPRST065 TPRSS065 TPRPM080	3.25-65 / 4-80
-	-	-	-	-	-	30	44	12			
30	55	50	30	50	50	-	-	-	GV3L65	TPRST065 TPRSS065 TPRPM080	3.25-65 / 4-80
-	-	-	37	60	50	37	53	12			
37	66	50	-	-	-	-	-	-	GV3L73	TPRST065 TPRSS065 TPRPM080	3.25-65 / 4-80

Coordination
and
standards

TeSys island motor starters

Standard, SIL Starters - Power Interface Modules

AC-3e category

IEC - Type 1 coordination with circuit breakers - 400/415 - 440 - 500 V

0.06 to 18.5 kW at 400/415 - 440 - 500 V: Type 1 coordination											
Applications power ratings of 3-phase motors 50-60 Hz in category AC-3e									Circuit breaker (Trip class 5 to 15)	Standard Starters SIL Starters Power Interface Modules ⁽¹⁾	
400/415 V			440 V			500 V			References	References	Setting range
P	le	Iq	P	le	Iq	P	le	Iq			
kW	A	kA	kW	A	kA	kW	A	kA		A	
0.06	0.2	50	0.06	0.18	50	-	-	-	GV2LE03	TPRST009 TPRSS009 TPRPM009 + LC1D09	0.18-9
0.09	0.3	50	0.09	0.27	50	-	-	-			
0.12	0.44	50	0.12	0.4	50	-	-	-	GV2LE04	TPRST009 TPRSS009 TPRPM009 + LC1D09	0.18-9
0.18	0.6	50	0.18	0.55	50	-	-	-			
0.25	0.85	50	0.25	0.77	50	-	-	-	GV2LE05	TPRST009 TPRSS009 TPRPM009 + LC1D09	0.18-9
0.37	1.1	-	-	-	-	0.37	0.88	50			
-	-	50	0.37	1	50	-	-	-	GV2LE06	TPRST009 TPRSS009 TPRPM009 + LC1D09	0.18-9
0.55	1.5	50	0.55	1.4	50	0.55	1.2	50			
-	-	-	-	-	-	0.75	1.5	50	GV2LE07	TPRST009 TPRSS009 TPRPM009 + LC1D09	0.18-9
0.75	1.9	50	0.75	1.7	50	-	-	-			
1.1	2.7	50	-	-	-	1.1	2.2	50			
-	-	-	-	-	-	2.2	3.9	50	GV2LE08	TPRST009 TPRSS009 TPRPM009 + LC1D09	0.18-9
1.5	3.6	50	1.5	3.3	50	1.5	2.9	50			
2.2	4.9	50	2.2	4.4	50	-	-	-	GV2LE10	TPRST009 TPRSS009 TPRPM009 + LC1D09	0.18-9
-	-	-	3	5.8	50	3	5.2	50			
3	6.5	50	-	-	-	-	-	-	GV2LE14	TPRST009 TPRSS009 TPRPM009 + LC1D09	0.18-9
4	8.5	50	4	7.9	15	4	6.8	10			
5.5	11.5	15	5.5	10.4	8	-	-	-	GV2LE16	TPRST025 TPRSS025 TPRPM038 + LC1D38	0.5-25 / 0.76-38
-	-	-	-	-	-	7.5	12.4	6			
7.5	15.5	15	-	-	-	-	-	-	GV2LE20	TPRST025 TPRSS025 TPRPM038 + LC1D38	0.5-25 / 0.76-38
-	-	-	9	16.9	8	-	-	-			
9	18.1	15	-	-	-	-	-	-	GV2LE22	TPRST025 TPRSS025 TPRPM038 + LC1D38	0.5-25 / 0.76-38
11	22	15	11	20	6	11	17.6	4			
-	-	-	-	-	-	15	23	4			
15	29	10	15	26.4	6	-	-	-	GV2L32	TPRST038 TPRSS038 TPRPM038 + LC1D38	0.76-38
-	-	-	-	-	-	18.5	28	4			

(1) For coordination with PIM modules, use the associated TeSys Deca contactor as shown in the chart above.

Coordination
and
standards

0.06 to 37 kW at 400/415 - 440 - 500 V: Type 2 coordination										Circuit breaker (Trip class 5 to 15)	Standard Starters SIL Starters	Setting range
Applications power ratings of 3-phase motors 50-60 Hz in category AC-3e									References			
400/415 V			440 V			500 V			References	References	Setting range	
P	I _e	I _q	P	I _e	I _q	P	I _e	I _q				
kW	A	kA	kW	A	kA	kW	A	kA				
0.06	0.2	100	0.06	0.18	100	-	-	-	GV2L03	TPRST009 TPRSS009	0.18-9	
0.09	0.3	100	0.09	0.27	100	-	-	-				
0.12	0.44	100	0.12	0.4	100	-	-	-	GV2L04	TPRST009 TPRSS009	0.18-9	
-	-	-	0.18	0.55	100	-	-	-				
0.18	0.6	100	-	-	-	-	-	-	GV2L05	TPRST009 TPRSS009	0.18-9	
0.25	0.85	100	0.25	0.77	100	-	-	-				
-	-	-	-	-	-	0.37	0.88	100				
0.37	1.1	100	0.37	1	100	-	-	-	GV2L06	TPRST009 TPRSS009	0.18-9	
0.55	1.5	100	0.55	1.4	100	0.55	1.2	100				
-	-	-	-	-	-	0.75	1.5	100	GV2L07	TPRST009 TPRSS009	0.18-9	
0.75	1.9	100	0.75	1.7	100	-	-	-				
-	-	-	-	-	-	1.1	2.2	100				
-	-	-	1.1	2.4	100	-	-	-	GV2L08	TPRST009 TPRSS009	0.18-9	
-	-	-	-	-	-	1.5	2.9	100				
1.1	2.7	100	-	-	-	-	-	-	GV2L08	TPRST025 TPRSS025	0.5-25	
1.5	3.6	100	1.5	3.3	100	-	-	-				
2.2	4.9	100	2.2	4.5	100	2.2	3.9	100	GV2L10	TPRST025 TPRSS025	0.5-25	
-	-	-	-	-	-	3	5.2	100				
3	6.5	100	3	5.9	100	-	-	-	GV2L14	TPRST025 TPRSS025	0.5-25	
4	8.5	100	4	7.7	20	4	6.8	10				
-	-	-	-	-	-	5.5	9.2	10				
5.5	11.5	50	5.5	10.5	20	-	-	-	GV2L16	TPRST025 TPRSS025	0.5-25	
-	-	-	-	-	-	7.5	12.4	10				
7.5	15.5	50	7.5	14.1	20	-	-	-	GV2L20	TPRST025 TPRSS025	0.5-25	
-	-	-	9	16.5	20	9	13.9	10				
9	18.1	50	-	-	-	-	-	-	GV2L22	TPRST025 TPRSS025	0.5-25	
11	22	50	11	20	20	11	17.6	10				
-	-	-	-	-	-	15	23	10				
15	29	50	15	26.4	20	-	-	-	GV2L32	TPRST038 TPRSS038	0.76-38	
-	-	-	-	-	-	18.5	28	10				
18.5	35	50	18.5	31.8	50	-	-	-	GV3L40	TPRST065 TPRSS065	3.25-65	
-	-	-	-	-	-	22	33	12				
22	41	50	22	37.3	50	-	-	-	GV3L50	TPRST065 TPRSS065	3.25-65	
-	-	-	-	-	-	30	44	12				
30	55	50	30	50	50	-	-	-	GV3L65	TPRST065 TPRSS065	3.25-65	
-	-	-	37	60	50	37	53	12				
37	66	50	-	-	-	-	-	-	GV3L73	TPRST065 TPRSS065	3.25-65	

IEC - Type 2 coordination with circuit breakers - 400/415 - 440 - 500 V

0.06 to 37 kW at 400/415 - 440 - 500 V: Type 2 coordination											
Applications power ratings of 3-phase motors 50-60 Hz in category AC-3e									Circuit breaker (Trip class 5 to 15)	Power Interface Modules ⁽¹⁾	
400/415 V			440 V			500 V			References	References	Setting range
P	I _e	I _q	P	I _e	I _q	P	I _e	I _q			
kW	A	kA	kW	A	kA	kW	A	kA			A
0.06	0.2	50	0.06	0.18	50	-	-	-	GV2L03	TPRPM009 + LC1D09	0.18-9
0.09	0.3	50	0.09	0.27	50	-	-	-			
0.12	0.44	50	0.12	0.4	50	-	-	-	GV2L04	TPRPM009 + LC1D09	0.18-9
0.18	0.6	50	0.18	0.55	50	-	-	-			
0.25	0.85	50	0.25	0.77	50	-	-	-	GV2L05	TPRPM009 + LC1D09	0.18-9
0.37	1.1	50	-	-	-	0.37	0.88	50			
-	-	-	0.37	1	50	-	-	-	GV2L06	TPRPM009 + LC1D09	0.18-9
0.55	1.5	50	0.55	1.4	50	0.55	1.2	50			
-	-	-	-	-	-	0.75	1.5	50	GV2L07	TPRPM009 + LC1D09	0.18-9
0.75	1.9	50	0.75	1.7	50	-	-	-			
						1.1	2.2	50			
1.1	2.7	50	-	-	-	-	-	-	GV2L07	TPRPM038 + LC1D38	0.5-25
-	-	-	1.1	2.4	50	-	-	-	GV2L08	TPRPM009 + LC1D09	0.18-9
-	-	-	-	-	-	1.5	2.9	50			
1.5	3.6	50	1.5	3.3	50	-	-	-	GV2L08	TPRPM038 + LC1D38	0.5-25
2.2	4.9	50	2.2	4.5	50	2.2	3.9	50	GV2L10	TPRPM038 + LC1D38	0.5-25
-	-	-	3	5.9	50	3	5.2	50			
3	6.5	50	-	-	-	-	-	-	GV2L14	TPRPM038 + LC1D38	0.5-25
4	8.5	50	4	7.7	20	4	6.8	10			
-	-	-	-	-	-	5.5	9.2	10			
5.5	11.5	50	5.5	10.5	20	-	-	-	GV2L16	TPRPM038 + LC1D38	0.5-25
-	-	-	-	-	-	7.5	12.4	10			
7.5	15.5	50	7.5	14.1	20	-	-	-	GV2L20	TPRPM038 + LC1D38	0.5-25
-	-	-	9	16.5	20	9	13.9	10			
9	18.1	50	-	-	-	-	-	-	GV2L22	TPRPM038 + LC1D38	0.5-25
11	22	50	11	20	20	11	17.6	10			
-	-	-	-	-	-	15	23	10			
15	29	50	15	26.4	20	-	-	-	GV2L32	TPRPM038 + LC1D38	0.76-38
-	-	-	-	-	-	18.5	28	10			
18.5	35	50	18.5	31.8	50	-	-	-	GV3L40	TPRPM080 + LC1D65	3.25-65
-	-	-	-	-	-	22	33	12			
22	41	50	22	37.3	50	-	-	-	GV3L50	TPRPM080 + LC1D65	3.25-65
-	-	-	-	-	-	30	44	12			
30	55	50	30	50	50	-	-	-	GV3L65	TPRPM080 + LC1D65	3.25-65
-	-	-	37	60	50	37	53	12			
37	66	50	-	-	-	-	-	-	GV3L73	TPRPM080 + LC1D65	3.25-65

(1) For coordination with PIM modules, use the associated TeSys Deca contactor as shown in the chart above.

Coordination and standards

0.06 to 5.5 kW at 400/415 - 440 - 500 V: Type 2 coordination										Circuit breaker (Trip class 5 to 15)	Standard Starters SIL Starters	Setting range
Applications power ratings of 3-phase motors 50-60 Hz in category AC-3e									References			
400/415 V			440 V			500 V			References	References	Setting range	
P kW	I _e A	I _q kA	P kW	I _e A	I _q kA	P kW	I _e A	I _q kA				
0.06	0.2	100	0.06	0.18	100	-	-	-	GV2LE03	TPRST009 TPRSS009	0.18-9	
0.09	0.3	100	0.09	0.27	100	-	-	-				
0.12	0.44	100	0.12	0.4	100	-	-	-	GV2LE04	TPRST009 TPRSS009	0.18-9	
0.18	0.6	100	0.18	0.55	100	-	-	-				
0.25	0.85	100	0.25	0.77	100	-	-	-	GV2LE05	TPRST009 TPRSS009	0.18-9	
0.37	1.1	100	-	-	-	0.37	0.88	100				
-	-	-	0.37	1	100	-	-	-	GV2LE06	TPRST009 TPRSS009	0.18-9	
0.55	1.5	100	0.55	1.4	100	0.55	1.2	100				
-	-	-	-	-	-	0.75	1.5	100	GV2LE07	TPRST009 TPRSS009	0.18-9	
0.75	1.9	100	0.75	1.7	100	-	-	-				
-	-	-	-	-	-	1.1	2.2	100	GV2L07	TPRST025 TPRSS025	0.5-25	
1.1	2.7	100	-	-	-	-	-	-				
-	-	-	1.1	2.4	100	-	-	-	GV2LE08	TPRST009 TPRSS009	0.18-9	
-	-	-	-	-	-	1.5	2.9	100				
1.5	3.6	100	1.5	3.3	100	-	-	-	GV2LE08	TPRST025 TPRSS025	0.5-25	
2.2	4.9	100	2.2	4.5	100	2.2	3.9	100				
-	-	-	3	5.9	100	3	5.2	100	GV2LE10	TPRST025 TPRSS025	0.5-25	
3	6.5	100	-	-	-	-	-	-				
4	8.5	100	4	7.7	20	4	6.8	10	GV2LE14	TPRST025 TPRSS025	0.5-25	
-	-	-	-	-	-	5.5	9.2	10				

IEC - Type 2 coordination with circuit breakers - 400/415 - 440 - 500 V

0.06 to 5.5 kW at 400/415 - 440 - 500 V: Type 2 coordination

Applications power ratings of 3-phase motors 50-60 Hz in category AC-3/AC-3e									Circuit breaker (Trip class 5 to 15)	Power Interface Modules ⁽¹⁾	
400/415 V			440 V			500 V			References	References	Setting range
P	I _e	I _q	P	I _e	I _q	P	I _e	I _q			A
kW	A	kA	kW	A	kA	kW	A	kA			
0.06	0.2	50	0.06	0.18	50	-	-	-	GV2LE03	TPRPM009 + LC1D09	0.18-9
0.09	0.3	50	0.09	0.27	50	-	-	-			
0.12	0.44	50	0.12	0.4	50	-	-	-	GV2LE04	TPRPM009 + LC1D09	0.18-9
0.18	0.6	50	0.18	0.55	50	-	-	-			
0.25	0.85	50	0.25	0.77	50	-	-	-	GV2LE05	TPRPM009 + LC1D09	0.18-9
0.37	1.1	50	-	-	-	0.37	0.88	50			
-	-	-	0.37	1	50	-	-	-	GV2LE06	TPRPM009 + LC1D09	0.18-9
0.55	1.5	50	0.55	1.4	50	0.55	1.2	50			
-	-	-	-	-	-	0.75	1.5	50	GV2LE07	TPRPM009 + LC1D09	0.18-9
0.75	1.9	50	0.75	1.7	50	-	-	-			
						1.1	2.2	50			
1.1	2.7	50	-	-	-	-	-	-	GV2L07	TPRPM038 + LC1D38	0.5-25
-	-	-	1.1	2.4	50	-	-	-	GV2LE08	TPRPM009 + LC1D09	0.18-9
-	-	-	-	-	-	1.5	2.9	50			
1.5	3.6	50	1.5	3.3	50	-	-	-	GV2LE08	TPRPM038 + LC1D38	0.5-25
2.2	4.9	50	2.2	4.5	50	2.2	3.9	50	GV2LE10	TPRPM038 + LC1D38	0.5-25
-	-	-	3	5.9	50	3	5.2	50			
3	6.5	50	-	-	-	-	-	-	GV2LE14	TPRPM038 + LC1D38	0.5-25
4	8.5	50	4	7.7	20	4	6.8	10			
-	-	-	-	-	-	5.5	9.2	10			

(1) For coordination with PIM modules, use the associated TeSys Deca contactor as shown in the chart above.

0.37 to 37 kW at 690 V: Type 1 coordination					
Applications power ratings of 3-phase motors 50-60 Hz in category AC-3e			Circuit breaker (Trip class 5 to 15)	Standard Starters SIL Starters Power Interface Modules	
690 V			References	References	Setting range
P	I _e	I _q			
kW	A	kA			A
0.37	0.64	100	GV2L05	TPRST009 TPRSS009 TPRPM009	0.18-9
0.55	0.87	4	GV2L05	TPRST009 TPRSS009 TPRPM009	0.18-9
0.75	1.1	4	GV2L06	TPRST009 TPRSS009 TPRPM009	0.18-9
1.1	1.6	4	GV2L07	TPRST009 TPRSS009 TPRPM009	0.18-9
1.5	2.1	4	GV2L07	TPRST009 TPRSS009 TPRPM009	0.18-9
2.2	2.8	4	GV2L08	TPRST009 TPRSS009 TPRPM009	0.18-9
3	3.8	4	GV2L08	TPRST009 TPRSS009 TPRPM009	0.18-9
4	4.9	4	GV2L10	TPRST009 TPRSS009 TPRPM009	0.18-9
5.5	6.7	4	GV2L14	TPRST009 TPRSS009 TPRPM009	0.18-9
7.5	8.9	4	GV2L14	TPRST025 TPRSS025 TPRPM038	0.5-25 / 0.76-38
9	10.5	4	GV2L16	TPRST025 TPRSS025 TPRPM038	0.5-25 / 0.76-38
11	12.8	4	GV2L16	TPRST025 TPRSS025 TPRPM038	0.5-25 / 0.76-38
15	17	4	GV2L20	TPRST025 TPRSS025 TPRPM038	0.5-25 / 0.76-38
18.5	21	4	GV2L22	TPRST038 TPRSS038 TPRPM038	0.76-38
22	24	4	GV2L22	TPRST065 TPRSS065 TPRPM080	3.25-65 / 4-80
30	32	6	GV3L40	TPRST065 TPRSS065 TPRPM080	3.25-65 / 4-80
37	39	6	GV3L50	TPRST065 TPRSS065 TPRPM080	3.25-65 / 4-80

0.37 to 37 kW at 690 V: Type 2 coordination					
Applications power ratings of 3-phase motors 50-60 Hz in category AC-3e			Circuit breaker (Trip class 5 to 15)	Standard Starters SIL Starters	
690 V			References	References	Setting range
P	Ie	Iq			
kW	A	kA			A
0.37	0.64	100	GV2L05	TPRST009 TPRSS009	0.18-9
0.55	0.87	4	GV2L05	TPRST009 TPRSS009	0.18-9
0.75	1.1	4	GV2L06	TPRST009 TPRSS009	0.18-9
1.1	1.6	4	GV2L07	TPRST009 TPRSS009	0.18-9
1.1	1.6	50	GV2L07 + LA9LB920	TPRST025 TPRSS025	0.5-25
1.5	2.1	4	GV2L07	TPRST009 TPRSS009	0.18-9
1.5	2.1	50	GV2L07 + LA9LB920	TPRST025 TPRSS025	0.5-25
2.2	2.8	4	GV2L08	TPRST025 TPRSS025	0.5-25
2.2	2.8	50	GV2L08 + LA9LB920	TPRST025 TPRSS025	0.5-25
3	3.8	4	GV2L08	TPRST025 TPRSS025	0.5-25
3	3.8	50	GV2L08 + LA9LB920	TPRST025 TPRSS025	0.5-25
4	4.9	4	GV2L10	TPRST025 TPRSS025	0.5-25
4	4.9	50	GV2L10 + LA9LB920	TPRST025 TPRSS025	0.5-25
5.5	6.7	4	GV2L14	TPRST025 TPRSS025	0.5-25
5.5	6.7	50	GV2L14 + LA9LB920	TPRST025 TPRSS025	0.5-25
7.5	8.9	4	GV2L14	TPRST025 TPRSS025	0.5-25
7.5	8.9	50	GV2L14 + LA9LB920	TPRST025 TPRSS025	0.5-25
9	10.5	4	GV2L16	TPRST025 TPRSS025	0.5-25
11	12.8	4	GV2L16	TPRST025 TPRSS025	0.5-25
11	12.8	3	GV2L16 + LA9LB920	TPRST038 TPRSS038	0.76-38
15	17	4	GV2L20	TPRST025 TPRSS025	0.5-25
15	17	3	GV2L22 + LA9LB920	TPRST038 TPRSS038	0.76-38
18.5	21	4	GV2L22	TPRST038 TPRSS038	0.76-38
18.5	21	3	GV3L25 + LA9LB920	TPRST065 TPRSS065	3.25-65
22	24	4	GV2L22	TPRST065 TPRSS065	3.25-65
22	24	3	GV2L32 + LA9LB920	TPRST065 TPRSS065	3.25-65
30	32	6	GV3L40	TPRST065 TPRSS065	3.25-65
37	39	6	GV3L50	TPRST065 TPRSS065	3.25-65

TeSys island motor starters

Standard, SIL Starters - Power Interface Modules

UL - SCCR Ratings

Short Circuit Current Ratings (SCCR)								Standard Starters SIL Starters Power Interface Modules	
UL File E39281 and File E48539 Suitable for use on a circuit delivering not more than:									
High SCCR						Standard SCCR		References	Setting range
Max Voltage 600 V Class J Fuse ⁽¹⁾		Max Voltage 480 V Circuit Breaker		Max Voltage 600 V Circuit Breaker		Max Voltage 600 V Circuit Breaker or Fuse			
SCCR	Maximum Amperage	SCCR	Maximum Amperage	SCCR	Maximum Amperage	SCCR	Maximum Amperage		
kA	A	kA	A	kA	A	kA	A		
100	25	85	35	50	35	5	35	TPRST009 TPRSS009 TPRPM009	0.18-9
100	60	85	60	50	60	5	100	TPRST025 TPRSS025	0.5-25
100	100	85	60	50	60	5	125	TPRST038 TPRSS038 TPRPM038	0.76-38
100	125	85	110	50	110	5	250	TPRST065 TPRSS065	3.25-65
100	125	85	110	50	110	5	250	TPRST080 TPRSS080 TPRPM080	4-80

⁽¹⁾ When protected by any Class J or CC time-delay fuse (Class CC applicable up to 30 A only).

Group Motor Rating					
Suitable for group installation on a circuit delivering not more than:				Standard Starters SIL Starters	
Max voltage 600 V - Class J Fuse ⁽¹⁾		Max voltage 480 V - Circuit Breaker		References	Setting range
SCCR	Maximum Amperage	SCCR	Maximum Amperage		
kA	A	kA	A	A	
5	90	5	90	TPRST009 TPRSS009	0.18-9
5	175	5	175	TPRST025 TPRSS025	0.5-25
5	175	5	175	TPRST038 TPRSS038	0.76-38
5	600	5	600	TPRST065 TPRSS065	3.25-65
5	600	5	600	TPRST080 TPRSS080	4-80

⁽¹⁾ When protected by any Class J or CC time-delay fuse.

Group Motor Short Circuit Ratings ⁽²⁾			References
Circuit Protection (When installed on load side of MMC ⁽³⁾)			
V	kA		
480	50	GV2P14 or GV2P14 + GV1G09	TPRST009 TPRSS009
600	30		
480	50	GV2P22 or GV2P22 + GV1G09	TPRST025 TPRSS025
600 ⁽⁴⁾	18		
480Y/277	50	GV3P40	TPRST038 TPRSS038
600Y/347	25		
480Y/277	50	GV3P65 ⁽⁵⁾	TPRST065 TPRSS065
600Y/347	25		

⁽²⁾ When protected by upstream Fuse or Circuit breaker. Maximum rating allowed by NEC installation requirements.

⁽³⁾ May utilize listed miniature busbar models GV1G09, GV2G followed by 2, 3, 4, or 5, followed by 45, 54, 72, GV3G264 or GV3G364.

⁽⁴⁾ Maximum 600 A Circuit Breaker.

⁽⁵⁾ 960 in³ (15731 cm³) Minimum enclosure volume.

TeSys island motor starters

Standard, SIL Starters - Power Interface Modules

UL - SCCR Ratings

UL/CSA Lighting Ratings (A) ⁽¹⁾		
Ballast	Tungsten	
480Y/277 V	600 V	References
A	A	
15	15	TPRST009 TPRSS009
30	30	TPRST025 TPRSS025
40	40	TPRST038 TPRSS038

⁽¹⁾ Above are max ratings when thermal overload protection is disabled. If not disabled, I_e is limited to maximum thermal trip setting.

Coordination: Fuses (NFC, DIN type aM) + Contactor + Overload relay

22 to 55 kW at 400/415, 440 and 500 V: type 1 coordination											
Standard power ratings of 3-phase motors 50/60 Hz in category AC-3						Fuse carrier ⁽¹⁾ (basic block)	aM fuses		Contactor	Thermal overload relay class 10	
400/415 V		440 V		500 V		Reference	Size	Rating	Reference ⁽²⁾	Reference	Setting range
P	I _e	P	I _e	P	I _e			A			A
kW	A	kW	A	kW	A						A
22	41	22	39	30	44	GS2J	22 x 58	50	LC1D50A	LRD350	37...50
-	-	30	51.5	-	-	GS2J	22 x 58	80	LC1D50A	LRD365	48...65
-	-	-	-	37	53	GS2J	22 x 58	80	LC1D65A	LRD365	48...65
30	55	37	64	-	-	GS2J	22 x 58	80	LC1D65A	LRD365	48...65
-	-	-	-	45	64	GS2J	22 x 58	80	LC1D80	LRD3361	55...70
37 ⁽³⁾	66	45	76	-	-	GS2J	22 x 58	100	LC1D80	LRD3363	63...80
45	80	-	-	55	78	GS2J	22 x 58	100	LC1D95	LRD3365	80...104

⁽¹⁾ For breaking under load, add a rotary switch-disconnector.⁽²⁾ For reversing operation, replace the prefix LC1 with LC2.⁽³⁾ 400 V maximum.

Coordination: Fuses (NFC, DIN type aM) + Contactor + Overload relay

0.06 to 90 kW at 400/415, 440 and 500 V: type 2 coordination											
Standard power ratings of 3-phase motors 50/60 Hz in category AC-3						Switch-disconnector	aM fuses		Contactor	Thermal overload relay class 10	
400/415 V		440 V		500 V		Reference	Size	Rating	Reference ⁽¹⁾	Reference	Setting range
P	I _e	P	I _e	P	I _e			A			A
kW	A	kW	A	kW	A						
0.06	0.2	0.06	0.19	–	–	GS1DD	10 x 38	2	LC1D09	LRD02	0.16...0.25
–	–	0.09	0.28	–	–	GS1DD	10 x 38	2	LC1D09	LRD03	0.25...0.4
0.09	0.3	–	–	–	–						
0.12	0.44	0.12	0.37	–	–	GS1DD	10 x 38	2	LC1D09	LRD03	0.25...0.4
0.18	0.6	0.18	0.55	–	–						
–	–	0.25	0.76	–	–	GS1DD	10 x 38	2	LC1D09	LRD04	0.4...0.63
0.25	0.85	–	–	0.37	0.88						
0.37	1.1	0.37	1	0.55	1.2						
0.55	1.5	0.55	1.36	0.75	1.5	GS1DD	10 x 38	2	LC1D09	LRD05	0.63...1
0.75	1.9	0.75	1.68	–	–						
–	–	1.1	2.37	1.1	2.2	GS1DD	10 x 38	4	LC1D09	LRD07	1.6...2.5
1.1	2.7	–	–	1.5	2.9						
1.5	3.6	1.5	3.06	2.2	3.9	GS1DD	10 x 38	4	LC1D09	LRD08	2.5...4
2.2	4.9	2.2	4.42	3	5.2	GS1DD	10 x 38	6	LC1D09	LRD10	4...6
3	6.5	3	5.77	4	6.8	GS1DD	10 x 38	8	LC1D09	LRD12	5.5...8
4	8.5	4	7.9	5.5	9.2	GS1DD	10 x 38	10	LC1D09	LRD14	7...10
5.5	11.5	5.5	10.4	7.5	12.4	GS1DD	10 x 38	16	LC1D12	LRD16	9...13
7.5	15.5	7.5	13.7	9	13.9	GS1DD	10 x 38	16	LC1D18	LRD21	12...18
–	–	9	16.9	–	–	GS2F	14 x 51	20	LC1D25	LRD21	12...18
9	18.1	11	20.1	11	17.6						
11	22	–	–	15	23	GS2F	14 x 51	25	LC1D25	LRD22	16...24
15	29	15	26.5	18.5	28	GS2F	14 x 51	32	LC1D32	LRD32	23...32
18.5	35	18.5	32.8	22	33	GS2F	14 x 51	40	LC1D40A	LRD340	30...40
22	41	22	39	30	44	GS2J	22 x 58	50	LC1D50A	LRD350	37...50
–	–	30	51.5	–	–	GS2J	22 x 58	80	LC1D65A	LRD365	48...65
–	–	–	–	37	53	GS2J	22 x 58	80	LC1D65A	LRD365	48...65
30	55	37	64	–	–	GS2J	22 x 58	80	LC1D65A	LRD365	48...65
–	–	–	–	45	64	GS2J	22 x 58	80	LC1D95	LRD3361	55...70
37	66	45	76	–	–	GS2J	22 x 58	100	LC1D80	LRD3363	63...80
45	80	–	–	–	–	GS2J	22 x 58	100	LC1D115A	LRD4365	80...104
–	–	–	–	55	78	GS2J	22 x 58	100	LC1D115A	LR9G115	28...115
55	97	55	90	75	106	GS2L	T0	125	LC1D115A	LR9G115	28...115
75	132	75	125	90	128	GS2L	T0	160	LC1D150A	LR9G225	57...225

(1) For reversing operation, replace the prefix LC1 with LC2.

Coordination and standards

Coordination: Fuses (NFC, DIN type aM) + Contactor + Overload relay

55 to 335 kW at 400/415 V: type 2 coordination								
Standard power ratings of 3-phase motors 50/60 Hz in category AC-3e			Switch-disconnector	aM fuses		Contactor	Thermal overload relay	
400/415 V			Product type	Size	Rating	Product type	Product type	Ir setting ⁽¹⁾
P	I _e	I _q (max)						
kW	A	kA			A			A
55	97	80	GS2L	0	125	LC1G115	LR9G115	97
75	132	80	GS2L	0	160	LC1G150	LR9G225	132
90	160	80	GS2N	1	200	LC1G185	LR9G225	160
110	195	80	GS2N	1	250	LC1G225	LR9G225	195
132	230	80	GS2QQ	2	315	LC1G265	LR9G500	230
160	280	80	GS2QQ	2	400	LC1G330	LR9G500	280
200	350	80	GS2S	3	500	LC1G400	LR9G500	350
220	380	80	GS2S	3	500	LC1G500	LR9G500	380
250	430	80	GS2S	3	500	LC1G500	LR9G500	430
315	540	80	GS2S	3	630	LC1G630	LR9G630	540
335	575	80	GS2V	4	800	LC1G630	LR9G630	575

75 to 400 kW at 440 V: type 2 coordination								
Standard power ratings of 3-phase motors 50/60 Hz in category AC-3e			Switch-disconnector	aM fuses		Contactor	Thermal overload relay	
440 V			Product type	Size	Rating	Product type	Product type	Ir setting ⁽¹⁾
P	I _e	I _q (max)						
kW	A	kA			A			A
75	115	80	GS2L	0	125	LC1G115	LR9G115	115
90	145	80	GS2L	0	160	LC1G150	LR9G225	145
110	177	80	GS2N	1	200	LC1G185	LR9G225	177
132	209	80	GS2N	1	250	LC1G225	LR9G225	209
160	255	80	GS2QQ	2	315	LC1G265	LR9G500	255
200	318	80	GS2QQ	2	400	LC1G330	LR9G500	318
220	343	80	GS2S	3	500	LC1G400	LR9G500	343
250	390	80	GS2S	3	500	LC1G500	LR9G500	390
315	490	80	GS2S	3	500	LC1G500	LR9G500	490
355	554	80	GS2S	3	630	LC1G630	LR9G630	554
400	627	80	GS2V	4	800	LC1G630	LR9G630	627

65 to 375 kW at 500 V: type 2 coordination								
Standard power ratings of 3-phase motors 50/60 Hz in category AC-3e			Switch-disconnector	aM fuses		Contactor	Thermal overload relay	
500 V			Product type	Size	Rating	Product type	Product type	Ir setting ⁽¹⁾
P	I _e	I _q (max)						
kW	A	kA			A			A
65	92	80	GS2L	0	125	LC1G115	LR9G115	92
90	128	80	GS2L	0	160	LC1G150	LR9G225	128
110	156	80	GS2N	1	200	LC1G185	LR9G225	156
132	184	80	GS2N	1	250	LC1G225	LR9G225	184
160	224	80	GS2QQ	2	315	LC1G265	LR9G500	224
200	280	80	GS2QQ	2	400	LC1G330	LR9G500	280
250	344	80	GS2S	3	500	LC1G400	LR9G500	344
295	405	80	GS2S	3	500	LC1G500	LR9G500	405
375	516	80	GS2S	3	630	LC1G630	LR9G630	516

⁽¹⁾ This setting is a general guidance, Ir should be adjusted according to motor characteristics and conditions of use.

Coordination and standards

0.75 to 90 kW at 690 V: type 2 coordination							
Standard power ratings of 3-phase motors 50/60 Hz in category AC-3			Switch-disconnector	aM fuses		Contactor	Thermal overload relay class 10
P	I _e	Reference	Size	Rating	Reference ⁽¹⁾	Reference	Setting range
kW	A			A			A
0.75	1.1	GS2F	14 x 51	2	LC1D09	LRD06	1...1.6
1.1	1.6	GS2F	14 x 51	2	LC1D09	LRD06	1...1.6
1.5	2.1	GS2F	14 x 51	4	LC1D09	LRD07	1.6...2.5
2.2	2.8	GS2F	14 x 51	4	LC1D09	LRD08	2.5...4
3	3.8	GS2F	14 x 51	6	LC1D09	LRD08	2.5...4
4	4.9	GS2F	14 x 51	6	LC1D09	LRD10	4...6
5.5	6.7	GS2F	14 x 51	8	LC1D09	LRD12	5.5...8
7.5	8.9	GS2F	14 x 51	10	LC1D25	LRD16	9...13
11	12.8	GS2F	14 x 51	16	LC1D25	LRD16	9...13
15	17	GS2F	14 x 51	20	LC1D25	LRD22	16...24
18.5	21	GS2F	14 x 51	25	LC1D32	LRD22	16...24
22	24	GS2J	22 x 58	32	LC1D40A	LRD332	23...32
30	32	GS2J	22 x 58	40	LC1D40A	LRD340	30...40
37	39	GS2J	22 x 58	50	LC1D65A	LRD350	37...50
45	47	GS2J	22 x 58	63	LC1D80	LRD3357	37...50
55	57	GS2J	22 x 58	80	LC1D115A	LRD3359 + LA7D3058	48...65
75	77	GS2KK	T00	100	LC1D115A	LRD3363 + LA7D3058	63...80
90	93	GS2KK	T00	125	LC1D150A	LRD4365	80...104

55 to 500 kW at 690 V: type 2 coordination								
Standard power ratings of 3-phase motors 50/60 Hz in category AC-3e			Switch-disconnector	aM fuses		Contactor	Thermal overload relay	
690 V			Product type	Size	Rating	Product type	Product type	
P	I _e	I _q (max)					I _r setting ⁽²⁾	
kW	A	kA			A		A	
55	57	80	GS2J	22 x 58	80	LC1G115	LR9G225	57
75	77	80	GS2KK	00	100	LC1G115	LR9G225	77
90	93	80	GS2KK	00	125	LC1G150	LR9G225	93
110	113	80	GS2KK	00	160	LC1G185	LR9G225	113
132	134	80	GS2L	0	160	LC1G225	LR9G225	134
160	162	80	GS2N	1	200	LC1G225	LR9G225	162
200	203	80	GS2N	1	250	LC1G265	LR9G500	203
220	223	80	GS2QQ	2	250	LC1G330	LR9G500	223
250	250	80	GS2QQ	2	315	LC1G330	LR9G500	250
315	313	80	GS2QQ	2	400	LC1G400	LR9G500	313
355	354	80	GS2QQ	3	500	LC1G500	LR9G500	354
500	493	80	GS2S	3	630	LC1G630	LR9G630	493

(1) For reversing operation, replace the prefix LC1 with LC2.

(2) This setting is a general guidance, I_r should be adjusted according to motor characteristics and conditions of use.

Coordination: Fuses (NFC, DIN type aM) + Contactor + Electronic overload relay

0.18 to 55 kW at 400/415 and 690 V: type 2 coordination											
Standard power ratings of 3-phase motors 50/60 Hz in category AC-3						Switch- disconnecter	aM fuses		Contactor	Electronic thermal overload relay	
400/415 V			690 V				Reference	Size		Rating	Reference
P	I _e	I _q	P	I _e	I _q						
kW	A	kA	kW	A	kA			A			A
0.18	0.6	100	-	-	-	GS1DD	10 x 38	2	LC1D09	LR9D02	0.4...2.0
0.25	0.85	100	-	-	-	GS1DD	10 x 38	2	LC1D09	LR9D02	0.4...2.0
0.37	1.1	100	-	-	-	GS1DD	10 x 38	2	LC1D09	LR9D02	0.4...2.0
0.55	1.5	100	-	-	-	GS1DD	10 x 38	2	LC1D09	LR9D02	0.4...2.0
0.75	1.9	100	-	-	-	GS1DD	10 x 38	4	LC1D09	LR9D02	0.4...2.0
1.1	2.7	100	-	-	-	GS1DD	10 x 38	4	LC1D18	LR9D08	1.6...8.0
1.5	3.6	100	-	-	-	GS1DD	10 x 38	4	LC1D18	LR9D08	1.6...8.0
2.2	4.9	100	-	-	-	GS1DD	10 x 38	6	LC1D18	LR9D08	1.6...8.0
3	6.5	100	-	-	-	GS1DD	10 x 38	8	LC1D18	LR9D32	6.4...32
4	8.5	100	-	-	-	GS1DD	10 x 38	10	LC1D18	LR9D32	6.4...32
5.5	11.5	100	-	-	-	GS1DD	10 x 38	16	LC1D25	LR9D32	6.4...32
7.5	15.5	50	-	-	-	GS1DD	10 x 38	16	LC1D25	LR9D32	6.4...32
11	22	50	-	-	-	GS2F	14 x 51	25	LC1D25	LR9D32	6.4...32
15	29	50	-	-	-	GS2J	22 x 58	32	LC1D65A	LR9D110S	22...110
18.5	35	50	-	-	-	GS2J	22 x 58	40	LC1D65A	LR9D110S	22...110
22	41	50	-	-	-	GS2J	22 x 58	50	LC1D65A	LR9D110S	22...110
45 ⁽¹⁾	80	100	-	-	-	GS2N	T 1	100	LC1D150A	LR9G115	28...115
55 ⁽¹⁾	97	100	-	-	-	GS2N	T 1	125	LC1D150A	LR9G115	28...115
-	-	-	0.37	0.64	100	GS2F	14 x 51	2	LC1D09	LR9D02	0.4...2.0
-	-	-	0.55	0.87	100	GS2F	14 x 51	2	LC1D09	LR9D02	0.4...2.0
-	-	-	0.75	1.1	100	GS2F	14 x 51	2	LC1D09	LR9D02	0.4...2.0
-	-	-	1.1	1.6	100	GS2F	14 x 51	2	LC1D25	LR9D08	1.6...8.0
-	-	-	1.5	2.1	100	GS2F	14 x 51	4	LC1D25	LR9D08	1.6...8.0
-	-	-	2.2	2.8	100	GS2F	14 x 51	4	LC1D25	LR9D08	1.6...8.0
-	-	-	3	4	100	GS2F	14 x 51	6	LC1D25	LR9D08	1.6...8.0
-	-	-	4	5	100	GS2F	14 x 51	6	LC1D25	LR9D08	1.6...8.0
-	-	-	5.5	7	50	GS2F	14 x 51	8	LC1D25	LR9D32	6.4...32
-	-	-	7.5	8.9	50	GS2F	14 x 51	10	LC1D25	LR9D32	6.4...32
-	-	-	11	13	50	GS2F	14 x 51	16	LC1D32	LR9D32	6.4...32
-	-	-	15	16.5	50	GS2F	14 x 51	20	LC1D32	LR9D32	6.4...32
-	-	-	18.5	21	100	GS2F	14 x 51	25	LC1D95	LR9D32	6.4...32
-	-	-	18.5	21	50	GS2F	14 x 51	25	LC1D65A	LR9D32	6.4...32
-	-	-	22	25	50	GS2F	14 x 51	32	LC1D65A	LR9D32	6.4...32
-	-	-	30	33	100	GS2F	14 x 51	40	LC1D95	LR9D110S	22...110
-	-	-	37	40	100	GS2F	14 x 51	50	LC1D95	LR9D110S	22...110
-	-	-	45	49	100	GS2J	22 x 58	63	LC1D95	LR9D110S	22...110

(1) Ratings valid up to 400 V AC only.

0.06 to 80 kW at 415, 440 and 500 V: type 2 coordination											
Standard power ratings of 3-phase motors 50/60 Hz in category AC-3						Switch-disconnector-fuse	BS fuses		Contactor	Thermal overload relay	
415 V		440 V		500 V			Reference	Size		Rating	Reference ⁽¹⁾
P	I _e	P	I _e	P	I _e			A			A
kW	A	kW	A	kW	kA						
0.06	0.22	0.06	0.19	–	–	GS1DDB	A1	NIT 2	LC1D09	LRD02	0.16...0.25
–	–	0.09	0.28	–	–	GS1DDB	A1	NIT 2	LC1D09	LRD03	0.25...0.4
0.09	0.36	–	–	–	–						
0.12	0.42	0.12	0.37	–	–	GS1DDB	A1	NIT 2	LC1D09	LRD03	0.25...0.4
0.18	0.6	0.18	0.55	–	–	GS1DDB	A1	NIT 2	LC1D09	LRD04	0.4...0.63
–	–	0.25	0.76	–	–	GS1DDB	A1	NIT 4	LC1D09	LRD05	0.63...1
0.25	0.88	0.37	1	0.37	1						
0.37	1	0.55	1.36	0.55	1.2						
0.55	1.5	0.75	1.68	0.75	1.5	GS1DDB	A1	NIT 6	LC1D09	LRD06	1...1.6
0.75	2	–	–	–	–	GS1DDB	A1	NIT 10	LC1D09	LRD07	1.6...2.5
–	–	–	–	1.5	2.6	GS1DDB	A1	NIT 10	LC1D09	LRD08	2.5...4
1.5	3.5	1.5	3.06	2.2	3.8	GS1DDB	A1	NIT 16	LC1D09	LRD08	2.5...4
2.2	5	2.2	4.42	3	5	GS1DDB	A1	NIT 16	LC1D09	LRD10	4...6
3	6.5	3	5.77	4	6.5	GS1DDB	A1	NIT 20	LC1D09	LRD12	5.5...8
4	8.4	4	7.9	5.5	9	GS1DDB	A1	NIT 20	LC1D09	LRD14	7...10
5.5	11	5.5	10.4	7.5	12	GS1DDB	A1	NIT 20M25	LC1D12	LRD16	9...13
7.5	14	7.5	13.7	9	13.9	GS1DDB	A1	NIT 20M32	LC1D18	LRD21	12...18
9	18.1	9	16.9	–	–	GS2GB	A2	TIA 32M35	LC1D18	LRD21	12...18
11	21	11	20	11	18.4						
–	–	–	–	15	23	GS2GB	A2	TIA 32M50	LC1D25	LRD22	16...24
15	28.5	15	26.5	–	–	GS2GB	A2	TIA 32M63	LC1D32	LRD32	23...32
18.5	35	18.5	32.8	–	–	GS2GB	A3	TIS 63M80	LC1D40A	LRD340	25...40
22	41	22	39	–	–	GS2GB	A3	TIS 63M80	LC1D50A	LRD350	37...50
30	55	30	51.5	–	–	GS2GB	A3	TIS 63M100	LC1D65A	LRD365	48...65
–	–	37	64	–	–	GS2GB	A3	TIS 63M100	LC1D65A	LRD365	48...65
–	–	45	76	45	65	GS2LLB	A4	TCP 100M125	LC1D80	LRD3363	63...80
45	81	–	–	55	80	GS2LLB	A4	TCP 100M125	LC1D95	LRD3365	80...104
55	100	–	–	–	–	GS2LLB	A4	TCP 100M160	LC1D115A	LR9G115	28...115
–	–	55	90	–	–	GS2LLB	A4	TCP 100M160	LC1D115A	LR9G115	28...115
–	–	–	–	80	116	GS2LB	B2	TF 200	LC1D150A	LR9G225	57...225
80	138	80	132	–	–	GS2LB	B2	TF 200M250	LC1D150A	LR9G225	57...225

(1) For reversing operation, replace the prefix LC1 with LC2.

0.06 to 55 kW at 400/415, 440 and 500 V: type 1 coordination												
Standard power ratings of 3-phase motors 50/60 Hz in category AC-3									Circuit breaker		Contactor	
400/415 V			440 V			500 V			Reference	Setting range	Reference ⁽²⁾	
P	I _e	I _q ⁽¹⁾	P	I _e	I _q ⁽¹⁾	P	I _e	I _q ⁽¹⁾	<i>References in italics are available in CEE zone only</i>	of thermal trips		
kW	A	kA	kW	A	kA	kW	A	kA		A		
0.06	0.2	50	0.06	0.19	50	–	–	–	GV2ME02 <i>GV2ME02AP</i>	0.16...0.25	LC1K06 or LC1D09	
0.09	0.3	50	0.09 0.12	0.28 0.37	50	–	–	–	GV2ME03 <i>GV2ME03AP</i>	0.25...0.40	LC1K06 or LC1D09	
0.12 0.18	0.44 0.6	50	–	–	–	–	–	–	GV2ME04 <i>GV2ME04AP</i>	0.40...0.63	LC1K06 or LC1D09	
0.25 0.37	0.85 1.1	50	0.25 0.37	0.76 0.99	50	–	–	–	GV2ME05 <i>GV2ME05AP</i>	0.63...1	LC1K06 or LC1D09	
–	–	–	–	–	–	0.37	0.88	50	GV2ME06 <i>GV2ME06AP</i>	1...1.6	LC1K06 or LC1D09	
0.55	1.5	50	0.55	1.36	50	0.55	1.2	50	GV2ME06 <i>GV2ME06AP</i>	1...1.6	LC1K06 or LC1D09	
–	–	–	–	–	–	0.75	1.5	50	GV2ME06 <i>GV2ME06AP</i>	1...1.6	LC1K06 or LC1D09	
0.75	1.9	50	0.75	1.68	50	–	–	–	GV2ME07 <i>GV2ME07AP</i>	1.6...2.5	LC1K06 or LC1D09	
–	–	–	1.1	2.37	50	1.1	2.2	50	GV2ME07 <i>GV2ME07AP</i>	1.6...2.5	LC1K06 or LC1D09	
1.1 1.5	2.7 3.6	50	–	–	–	1.5	2.9	50	GV2ME08 <i>GV2ME08AP</i>	2.5...4	LC1K06 or LC1D09	
1.5	3.6	50	1.5	3.06	50	2.2	3.9	50	GV2ME08 <i>GV2ME08AP</i>	2.5...4	LC1K06 or LC1D09	
2.2	4.9	50	2.2	4.42	50	–	–	–	GV2ME10 <i>GV2ME10AP</i>	4...6.3	LC1K06 or LC1D09	
–	–	–	3	5.77	50	3	5.2	50	GV2ME10 <i>GV2ME10AP</i>	4...6.3	LC1K06 or LC1D09	
3 4	6.5 8.5	50	–	–	–	4	6.8	10	GV2ME14 <i>GV2ME14AP</i>	6...10	LC1K09 or LC1D09	
4	8.5	50	4	7.9	15	5.5	9.2	10	GV2ME14 <i>GV2ME14AP</i>	6...10	LC1K09 or LC1D09	
5.5	11.5	15	5.5	10.4	8	7.5	12.4	6	GV2ME16 <i>GV2ME16AP</i>	9...14	LC1K12 or LC1D12	
7.5	15.5	15	7.5	13.7	8	9	13.9	6	GV2ME20 <i>GV2ME20AP</i>	13...18	LC1D18	
–	–	–	9	16.9	8	–	–	–	GV2ME20 <i>GV2ME20AP</i>	13...18	LC1D18	
9	18.1	15	11	20.1	6	11	17.6	4	GV2ME21 <i>GV2ME21AP</i>	17...23	LC1D25	
11	22	15	–	–	–	15	23	4	GV2ME22 <i>GV2ME22AP</i>	20...25	LC1D25	
15	29	10	15	26.5	6	18.5	28	4	GV2ME32 <i>GV2ME32AP</i>	24...32	LC1D32	
18.5	35	50	18.5	32.8	50	22	33	10	GV3P40	30...40	LC1D40A	
22	41	50	22	39	50	30	44	10	GV3P50	37...50	LC1D50A	
30	55	50	30	51.5	50	37	53	10	GV3P65	48...65	LC1D65A	
37	66	50	–	–	–	–	–	–	GV3P73	62...73	LC1D80A	
–	–	–	37	64	70	45	64	30	GV4P80	40...80	LC1D65A	
37	66	100	45	76	70	55 ⁽³⁾	78	30	GV4P80	40...80	LC1D80	
45 ⁽³⁾	80	100	–	–	–	–	–	–	GV4P115	65...115	LC1D95	

(1) The breaking performance of circuit breakers **GV2ME** can be increased by adding a current limiter **GV1L3**.

(2) For reversing operation, replace the prefix **LC1** with **LC2**.

(3) Please refer to Type 2 coordination tables for higher ratings.

0.06 to 90 kW at 400/415, 440 and 500 V: type 2 coordination												
Standard power ratings of 3-phase motors 50/60 Hz in category AC-3									Circuit breaker	Setting range of thermal trips	Contactor Reference ⁽²⁾	
400/415 V			440 V			500 V			Reference <i>References in italics are available in CEE zone only</i>	A		
P kW	I _e A	I _q ⁽¹⁾ kA	P kW	I _e A	I _q ⁽¹⁾ kA	P kW	I _e A	I _q ⁽¹⁾ kA				
0.06	0.2	130	0.06	0.19	130	–	–	–	GV2P02 or GV2ME02 or GV2ME02AP	0.16...0.25	LC1D09	
–	–	–	0.09	0.28	130	–	–	–	GV2P03 or GV2ME03 or GV2ME03AP	0.25...0.4	LC1D09	
0.09	0.3	130	0.12	0.37	130	–	–	–	GV2P04 or GV2ME04 or GV2ME04AP	0.4...0.63	LC1D09	
0.12	0.44	130	–	–	–	–	–	–	GV2P05 or GV2ME05 or GV2ME05AP	0.63...1	LC1D09	
0.18	0.6	130	0.18	0.55	130	–	–	–	GV2P06 or GV2ME06 or GV2ME06AP	1...1.6	LC1D09	
0.25	0.85	130	0.25	0.76	130	–	–	–	GV2P06 or GV2ME06 or GV2ME06AP	1...1.6	LC1D09	
0.37	1.1	130	0.37	0.99	130	–	–	–	GV2P07 or GV2ME07 or GV2ME07AP	1.6...2.5	LC1D09	
–	–	–	–	–	–	0.37	0.88	130	GV2P08 or GV2ME08 or GV2ME08AP	2.5...4	LC1D09	
0.55	1.5	130	0.55	1.36	130	0.55	1.2	130	GV2P08 or GV2ME08 or GV2ME08AP	2.5...4	LC1D09	
–	–	–	–	–	–	0.75	1.5	130	GV2P10 or GV2ME10 or GV2ME10AP	4...6.3	LC1D09	
0.75	1.9	130	0.75	1.68	130	–	–	–	GV2ME10 or GV2ME10AP	4...6.3	LC1D09	
–	–	–	1.1	2.37	130	1.1	2.2	130	GV2P10	4...6.3	LC1D09	
1.1	2.7	130	–	–	–	1.5	2.9	130	GV2P14 or GV2ME14 or GV2ME14AP	6...10	LC1D09	
1.5	3.6	130	1.5	3.06	130	2.2	3.9	130	GV2ME14 or GV2ME14AP	6...10	LC1D09	
–	–	–	–	–	–	–	–	–	GV2P14	6...10	LC1D12	
2.2	4.9	130	–	–	–	–	–	–	GV2P16 or GV2ME16 or GV2ME16AP	9...14	LC1D25	
–	–	–	2.2	4.42	50	–	–	–	GV2P20 or GV2ME20 or GV2ME20AP	13...18	LC1D25	
–	–	–	3	5.77	50	3	5.2	50	GV2P21 or GV2ME21 or GV2ME21AP	17...23	LC1D25	
–	–	–	2.2	4.42	130	–	–	–	GV2P22 or GV2ME22 or GV2ME22AP	20...25	LC1D25	
–	–	–	3	5.77	130	3	5.2	130	GV2P22	20...25	LC1D25	
3	6.5	130	–	–	–	–	–	–	GV2P32 or GV2ME32 or GV2ME32AP	24...32	LC1D32	
4	8.5	130	–	–	–	–	–	–	GV3P40	30...40	LC1D50A	
–	–	–	4	7.9	15	4	6.8	10	GV3P40	30...40	LC1D65A	
–	–	–	–	–	–	5.5	9.2	10	GV3P50	37...50	LC1D50A	
–	–	–	4	7.9	130	4	6.8	50	GV3P50	37...50	LC1D65A	
–	–	–	–	–	–	5.5	9.2	50	GV3P65	48...65	LC1D65A	
5.5	11.5	130	5.5	10.4	50 or 8	7.5	12.4	42 or 6	GV3P65	48...65	LC1D65A	
–	–	–	7.5	13.7	50 or 8	9	13.9	42 or 6	GV3P73	62...73	LC1D80A	
7.5	15.5	50 or 15	9	16.9	20 or 8	–	–	–	GV4P80	40...80	LC1D65A	
9	18.1	50 or 15	11	20.1	20 or 8	11	17.6	10 or 6	GV4P80	40...80	LC1D80	
11	22	50 or 15	–	–	–	–	–	–	GV4P115	65...115	LC1D115A	
–	–	–	–	–	–	15	23	10 or 6	GV5P150H	70...150	LC1D150A	
15	29	50 or 10	15	26.5	20 or 6	18.5	28	10 or 4	–	–	–	
18.5	35	50	–	–	–	–	–	–	–	–	–	
–	–	–	18.5	32.8	50	22	33	10	–	–	–	
22	41	50	–	–	–	–	–	–	–	–	–	
–	–	–	22	39	50	30	44	10	–	–	–	
30	55	50	30	51.5	50	–	–	–	–	–	–	
–	–	–	–	–	–	37	53	10	–	–	–	
37	66	50	–	–	–	–	–	–	–	–	–	
–	–	–	37	64	70	–	–	–	–	–	–	
37	66	100	45	76	70	⁽³⁾	⁽³⁾	⁽³⁾	–	–	–	
45	80	100	55	90	70	⁽³⁾	⁽³⁾	⁽³⁾	–	–	–	
55	97	100	–	–	–	⁽³⁾	⁽³⁾	⁽³⁾	–	–	–	
75	132	70	75	125	65	–	–	–	–	–	–	
–	–	–	90	146	65	–	–	–	–	–	–	

(1) The breaking performance of circuit breakers GV2P can be increased by adding a current limiter GV1L3.

(2) Combinations with circuit breaker GV2ME are type 2 coordinated only at 400/415 V and 440 V.

(3) Please consult your regional sales office.

45 to 250 kW at 400/415 V: type 2 coordination (with TeSys GV4/GV5/GV6 circuit breakers)						
Standard power ratings of 3-phase motors 50/60 Hz in category AC-3e			Circuit breaker			Contactor
400/415 V			Product type ⁽¹⁾	I _r setting ⁽²⁾	I _{rm} ⁽²⁾	Product type
P	I _e	I _q (max)		A	A	
kW	A	kA				
45	80	100	GV4P/GV4PE/GV4PEM115●	86	774	LC1G115
55	97	100	GV4P/GV4PE/GV4PEM115●	100	900	LC1G115
55	97	70	GV5P150●	100	1300	LC1G115
75	132	70	GV5P150●	140	1820	LC1G150
90	160	70	GV5P220●	170	2210	LC1G185
110	195	70	GV5P220●	200	2600	LC1G225
110	195	70	GV6P320●	200	2600	LC1G265
132	230	70	GV6P320●	240	3120	LC1G265
160	280	70	GV6P320●	300	3900	LC1G330
200	350	70	GV6P500●	380	4940	LC1G400
220	380	70	GV6P500●	400	5200	LC1G500
250	430	70	GV6P500●	440	5720	LC1G500

⁽¹⁾ Product type to be completed by replacing the ● with the breaking performance code:

Rated conditional short-circuit (kA)	GV4P/GV4PE/GV4PEM115●			GV5P150●/ 220● GV6P320●/ 500●	
Breaking performance code	B	N	S	F	H
400/415 V	25	50	100	36	70

Coordination and standards

45 to 450 kW at 400/415 V: type 2 coordination (with ComPact NSX/NS circuit breakers)						
Standard power ratings of 3-phase motors 50/60 Hz in category AC-3e			Circuit breaker			Contactor
400/415 V			Product type ⁽¹⁾	I _r setting ⁽²⁾	I _{rm} ⁽²⁾	Product type
P	I _e	I _q (max)		A	A	
kW	A	kA				
45	80	130	NSX100● + MicroLogic 2.2 M	85	1105	LC1G115
55	97	130	NSX160● + MicroLogic 2.2 M ⁽³⁾	100	1300	LC1G115
75	132	130	NSX160● + MicroLogic 2.2 M ⁽³⁾	140	1820	LC1G150
90	160	130	NSX250● + MicroLogic 2.2 M ⁽³⁾	170	2210	LC1G185
110	195	130	NSX250● + MicroLogic 2.2 M ⁽³⁾	200	2600	LC1G225
110	195	130	NSX400● + MicroLogic 2.3 M ⁽³⁾	200	2600	LC1G265
132	230	130	NSX400● + MicroLogic 2.3 M ⁽³⁾	240	3120	LC1G265
160	280	130	NSX400● + MicroLogic 2.3 M ⁽³⁾	300	3900	LC1G330
200	350	130	NSX630● + MicroLogic 2.3 M ⁽³⁾	380	4940	LC1G400
220	380	130	NSX630● + MicroLogic 2.3 M ⁽³⁾	400	5200	LC1G500
250	430	130	NSX630● + MicroLogic 2.3 M ⁽³⁾	440	5720	LC1G500
300	500	130	NS800● + MicroLogic 5.0	560	5040	LC1G630
335	575	130	NS800● + MicroLogic 5.0	640	5760	LC1G630
355	610	130	NS800● + MicroLogic 5.0	640	5760	LC1G800
400	690	130	NS800● + MicroLogic 5.0	720	6480	LC1G800
450	770	130	NS1000● + MicroLogic 5.0	784	7840	LC1G800

⁽¹⁾ Product type to be completed by replacing the ● with the breaking performance code:

Rated conditional short-circuit (kA)	NSX100●/ NSX160●/ NSX250●/ NSX400●/ NSX630●					NS800●/ NS1000●
Breaking performance code	F	N	H	S	L	L
400/415 V	36	50	70	100	130	150

⁽²⁾ This setting is a general guidance, I_r and I_{rm} should be adjusted according to motor characteristics and conditions of use.

⁽³⁾ Applicable also with MicroLogic 6.2 E-M and 6.3 E-M trip units.

55 to 300 kW at 440 V: type 2 coordination (with TeSys GV4/GV5/GV6 circuit breakers)

Standard power ratings of 3-phase motors 50/60 Hz in category AC-3e			Circuit breaker			Contactor
440 V			Product type ⁽¹⁾	I _r setting ⁽²⁾	I _{rm} ⁽²⁾	Product type
P	I _e	I _q (max)				
kW	A	kA		A	A	
55	88	70	GV4P/GV4PE/GV4PEM115●	93	837	LC1G115
55	88	65	GV5P150●	90	1170	LC1G115
75	120	65	GV5P150●	130	1690	LC1G150
90	145	65	GV5P150●	150	1950	LC1G150
110	177	65	GV5P220●	185	2405	LC1G185
132	209	65	GV5P220●	210	2730	LC1G225
160	255	65	GV6P320●	260	3380	LC1G265
200	318	65	GV6P320●	320	4160	LC1G330
220	343	65	GV6P500●	350	4550	LC1G400
250	390	65	GV6P500●	400	5200	LC1G400
300	466	65	GV6P500●	470	6110	LC1G500

⁽¹⁾ Product type to be completed by replacing the ● with the breaking performance code:

Rated conditional short-circuit (kA)	GV4P/GV4PE/GV4PEM115●			GV5P150●/ 220●		GV6P320●/ 500●	
	B	N	S	F	H	F	H
440 V	20	50	70	35	65	30	65

55 to 450 kW at 440 V: type 2 coordination (with ComPact NSX/NS circuit breakers)

Standard power ratings of 3-phase motors 50/60 Hz in category AC-3e			Circuit breaker			Contactor
440 V			Product type ⁽¹⁾	I _r setting ⁽²⁾	I _{rm} ⁽²⁾	Product type
P	I _e	I _q (max)				
kW	A	kA		A	A	
55	88	130	NSX100● + MicroLogic 2.2 M	90	1170	LC1G115
75	120	130	NSX160● + MicroLogic 2.2 M ⁽³⁾	130	1690	LC1G150
90	145	130	NSX160● + MicroLogic 2.2 M ⁽³⁾	150	1950	LC1G150
110	177	130	NSX250● + MicroLogic 2.2 M ⁽³⁾	185	2405	LC1G185
132	209	130	NSX250● + MicroLogic 2.2 M ⁽³⁾	210	2730	LC1G225
160	255	130	NSX400● + MicroLogic 2.3 M ⁽³⁾	260	3380	LC1G265
200	318	130	NSX400● + MicroLogic 2.3 M ⁽³⁾	320	4160	LC1G330
220	343	130	NSX630● + MicroLogic 2.3 M ⁽³⁾	350	4550	LC1G400
250	390	130	NSX630● + MicroLogic 2.3 M ⁽³⁾	400	5200	LC1G400
300	466	130	NSX630● + MicroLogic 2.3 M ⁽³⁾	470	6110	LC1G500
335	521	130	NS800● + MicroLogic 5.0	560	5040	LC1G630
355	554	130	NS800● + MicroLogic 5.0	560	5040	LC1G630
400	627	130	NS800● + MicroLogic 5.0	640	5760	LC1G800
450	695	130	NS800● + MicroLogic 5.0	720	6480	LC1G800

⁽¹⁾ Product type to be completed by replacing the ● with the breaking performance code:

Rated conditional short-circuit (kA)	NSX100●/ NSX160●/ NSX250●					NSX400●/ NSX630●					NS800●
	F	N	H	S	L	F	N	H	S	L	L
440 V	35	50	65	90	130	30	42	65	90	130	130

⁽²⁾ This setting is a general guidance, I_r and I_{rm} should be adjusted according to motor characteristics and conditions of use.

⁽³⁾ Applicable also with MicroLogic 6.2 M and 6.3 M trip units.

Coordination: Thermal magnetic circuit breaker + Contactor

65 to 295 kW at 500 V: type 2 coordination (with TeSys GV4 / GV5 / GV6 circuit breakers)

Standard power ratings of 3-phase motors 50/60 Hz in category AC-3e			Circuit breaker			Contactor
500 V			Product type ⁽¹⁾	Ir setting ⁽²⁾	Irm ⁽²⁾	Product type
P	Ie	Iq (max)		A	A	
kW	A	kA				
65	92	30	GV4P/GV4PE/GV4PEM115●	93	837	LC1G115
65	92	50	GV5P150●	100	1300	LC1G115
90	128	50	GV5P150●	130	1690	LC1G150
110	156	50	GV5P220●	170	2210	LC1G185
132	184	50	GV5P220●	185	2405	LC1G225
160	224	50	GV6P320●	240	3120	LC1G265
200	280	50	GV6P320●	300	3900	LC1G330
250	344	50	GV6P500●	350	4550	LC1G400
295	405	50	GV6P500●	440	5720	LC1G500

(1) Product type to be completed by replacing the ● with the breaking performance code:

Rated conditional short-circuit (kA)	GV4P/GV4PE/GV4PEM115●			GV5P150●/ 220●		GV6P320●/ 500●	
Breaking performance code	B	N	S	F	H	F	H
500 V	10	25	30	30	50	25	50

65 to 425 kW at 500 V: type 2 coordination (with ComPacT NSX / NS circuit breakers)

Standard power ratings of 3-phase motors 50/60 Hz in category AC-3e			Circuit breaker			Contactor
500 V			Product type ⁽¹⁾	Ir setting ⁽²⁾	Irm ⁽²⁾	Product type
P	Ie	Iq (max)		A	A	
kW	A	kA				
65	92	70	NSX100● + MicroLogic 2.2 M	95	1235	LC1G115
65	92	70	NSX160● + MicroLogic 2.2 M ⁽³⁾	95	1235	LC1G115
90	128	70	NSX160● + MicroLogic 2.2 M ⁽³⁾	130	1690	LC1G150
110	156	70	NSX250● + MicroLogic 2.2 M ⁽³⁾	170	2210	LC1G185
132	184	70	NSX250● + MicroLogic 2.2 M ⁽³⁾	185	2405	LC1G225
160	224	70	NSX400● + MicroLogic 2.3 M ⁽³⁾	240	3120	LC1G265
200	280	70	NSX400● + MicroLogic 2.3 M ⁽³⁾	300	3900	LC1G330
250	344	70	NSX630● + MicroLogic 2.3 M ⁽³⁾	350	4550	LC1G400
295	405	70	NSX630● + MicroLogic 2.3 M ⁽³⁾	440	5720	LC1G500
375	516	70	NS800● + MicroLogic 5.0	560	5040	LC1G630
425	584	70	NS800● + MicroLogic 5.0	640	5760	LC1G800

(1) Product type to be completed by replacing the ● with the breaking performance code:

Rated conditional short-circuit (kA)	NSX100●					NSX160●/ NSX250●					NSX400●/ NSX630●					NS800●
Breaking performance code	F	N	H	S	L	F	N	H	S	L	F	N	H	S	L	L
500 V	25	36	50	65	70	30	36	50	65	70	25	30	50	65	70	100

(2) This setting is a general guidance, Ir and Irm should be adjusted according to motor characteristics and conditions of use.

(3) Applicable also with MicroLogic 6.2 M and 6.3 M trip units.

Coordination and standards

Coordination: Thermal magnetic circuit breaker + Contactor

Coordination and standards

0.06 to 22 kW at 690 V: type 2 coordination							
Standard power ratings of 3-phase motors 50/60 Hz in category AC-3			Limiting block	Circuit breaker		Contactor	
690 V			Product type	Product type	Ir Setting ⁽¹⁾	Irm ⁽¹⁾	
P	Ie	Iq			A	A	
kW	A	kA					
0.06	0.12	100		GV2P01	0.16	1.93	LC1D09
0.09	0.17	100		GV2P02	0.25	3.08	LC1D09
0.12	0.23	100		GV2P02	0.25	3.08	LC1D09
0.18	0.35	100		GV2P03	0.4	5.8	LC1D09
0.25	0.49	100		GV2P04	0.63	9.3	LC1D09
0.37	0.64	100		GV2P05	1	15.1	LC1D09
0.55	0.87	100		GV2P05	1	15.1	LC1D09
0.75	1.1	100		GV2P06	1.6	26.2	LC1D09
1.1	1.6	65	LA9LB920	GV2P07	1.6	39	LC1D25
1.5	2.1	65	LA9LB920	GV2P07	2.5	39	LC1D25
2.2	2.8	65	LA9LB920	GV2P08	4	74	LC1D25
3	3.8	65	LA9LB920	GV2P08	4	74	LC1D25
4	4.9	65	LA9LB920	GV2P10	6.3	91	LC1D25
5.5	6.7	65	LA9LB920	GV2P14	10	149	LC1D25
7.5	8.9	65	LA9LB920	GV2P14	10	149	LC1D25
9	12.8	65	LA9LB920	GV2P16	14	253.4	LC1D25
11	12.8	65	LA9LB920	GV2P16	14	253.4	LC1D25
15	17	65	LA9LB920	GV2P20	18	341	LC1D25
18.5	21	65	LA9LB920	GV2P21	23	341	LC1D32
22	24	65	LA9LB920	GV2P32	32	537.6	LC1D40A

(1) This setting is a general guidance, Ir and Irm should be adjusted according to motor characteristics and conditions of use.

30 to 560 kW at 690 V: type 2 coordination (with ComPacT NSX/NS circuit breakers)						
Standard power ratings of 3-phase motors 50/60 Hz in category AC-3e			Circuit breaker			Contactor
690 V			Product type ⁽¹⁾	Ir Setting ⁽²⁾	Irm ⁽²⁾	Product type
P	Ie	Iq (max)		A	A	
kW	A	kA				
30	32	100	NSX100● + MicroLogic 2.2 M	36	468	LC1G115
37	39	100	NSX100● + MicroLogic 2.2 M	40	520	LC1G115
45	47	100	NSX100● + MicroLogic 2.2 M	50	650	LC1G115
55	57	100	NSX100● + MicroLogic 2.2 M	60	780	LC1G115
75	77	100	NSX100● + MicroLogic 2.2 M	80	1040	LC1G115
90	93	100	NSX250● + MicroLogic 2.2 M ⁽³⁾	95	1235	LC1G150
110	113	100	NSX250● + MicroLogic 2.2 M ⁽³⁾	115	1495	LC1G185
132	134	100	NSX250● + MicroLogic 2.2 M ⁽³⁾	140	1820	LC1G225
160	162	100	NSX250● + MicroLogic 2.2 M ⁽³⁾	170	2210	LC1G225
200	203	100	NSX250● + MicroLogic 2.2 M ⁽³⁾	210	2730	LC1G265
220	223	100	NSX400● + MicroLogic 2.3 M ⁽³⁾	240	3120	LC1G330
250	250	100	NSX400● + MicroLogic 2.3 M ⁽³⁾	260	3380	LC1G400
315	313	100	NSX630● + MicroLogic 2.3 M ⁽³⁾	320	4160	LC1G400
335	335	100	NSX630● + MicroLogic 2.3 M ⁽³⁾	350	4550	LC1G500
355	354	100	NSX630● + MicroLogic 2.3 M ⁽³⁾	380	4940	LC1G500
375	374	100	NSX630● + MicroLogic 2.3 M ⁽³⁾	380	4940	LC1G630
400	400	100	NSX630● + MicroLogic 2.3 M ⁽³⁾	440	5720	LC1G630
450	455	100	NSX630● + MicroLogic 2.3 M ⁽³⁾	470	6110	LC1G630
475	475	100	NSX630● + MicroLogic 2.3 M ⁽³⁾	500	6500	LC1G630
500	493	100	NSX630● + MicroLogic 2.3 M ⁽³⁾	500	6500	LC1G630
560	551	75	NS800● + MicroLogic 5.0	560	7280	LC1G800

(1) Product type to be completed by replacing the ● with the breaking performance code:

Rated conditional short-circuit (kA)	NSX100●/ NSX250●/ NSX400●/ NSX630●		NS800●
Breaking performance code	HB1	HB2	LB
690 V	75	100	75

(2) This setting is a general guidance, Ir and Irm should be adjusted according to motor characteristics and conditions of use.

(3) Applicable also with MicroLogic 6.2 E-M and 6.3 E-M trip units.

½ to 80 hp at 460 V - 3P

GV2P + contactor: compact, high SCCR solution.

GV3P + contactor: medium power, Everlink (long lasting power connection).

GV4PB + contactor: high power, advanced protection settings, Everlink (long lasting power connection), 18 (GV4PB●●●B), 35 (GV4PB●●●N) or 65 (GV4PB●●●S) kA SCCR.

Standard power ratings						Circuit breaker			Contactor			Circuit breaker			Contactor		
200 V 3P		230 V 3P		460 V 3P		Product reference (2)	Dial range	Product reference (3)	Comb. SCCR 480Y	Product reference (4)	Dial range	Product reference (3)	Comb. SCCR 480Y	Product reference	Dial range	Product reference (3)	SCCR 480Y As applied
HP	FLA	HP	FLA	HP	FLA												
		½	1.1	GV2P06	1 to 1.6	LC1D09	100						GV4PB02S	0.8 to 2	LC1D09	65	
		¾	1.6	GV2P06	1 to 1.6	LC1D09	100						GV4PB02S	0.8 to 2	LC1D09	65	
½	2.5	½	2.2	1	2.1	GV2P07	1.6 to 2.5	LC1D09	100				GV4PB03S	1.4 to 3.5	LC1D09	65	
		1½	3	GV2P08	2.5 to 4	LC1D09	100						GV4PB03S	1.4 to 3.5	LC1D09	65	
¾	3.7	¾	3.2	2	3.4	GV2P08	2.5 to 4	LC1D09	100				GV4PB07S	2.9 to 7	LC1D09	65	
1	4.6	1	4.2	3	4.8	GV2P10	4 to 6.3	LC1D09	100				GV4PB07S	2.9 to 7	LC1D09	65	
		1½	6	GV2P10	4 to 6.3	LC1D09	100						GV4PB12S	5 to 12.5	LC1D12	65	
1½	6.9	2	6.8	GV2P14	6 to 10	LC1D12	100						GV4PB12S	5 to 12.5	LC1D12	65	
2	7.8		5	7.6	GV2P14	6 to 10	LC1D12	100					GV4PB12S	5 to 12.5	LC1D12	65	
		3	9.6	GV2P14	6 to 10	LC1D12	100	GV3P13	9 to 13	LC1D18	65	GV4PB12S	5 to 12.5	LC1D12	65		
3	11		7½	11	GV2P16	9 to 14	LC1D18	50 ⁽⁵⁾	GV3P13	9 to 13	LC1D18	65	GV4PB25S	10 to 25	LC1D25	65	
			10	14	GV2P16	9 to 14	LC1D18	50 ⁽⁵⁾	GV3P18	12 to 18	LC1D18	65	GV4PB25S	10 to 25	LC1D25	65	
5	17.5	5	15.2	GV2P20	13 to 18	LC1D18	50 ⁽⁵⁾	GV3P18	12 to 18	LC1D18	65	GV4PB25S	10 to 25	LC1D25	65		
		7½	22	15	21	GV2P21	17 to 23	LC1D25	50 ⁽⁵⁾	GV3P25	17 to 25	LC1D25	65	GV4PB25S	10 to 25	LC1D25	65
7½	25.3			GV2P22	20 to 25	LC1D25	50 ⁽⁵⁾	GV3P32	23 to 32	LC1D32	65	GV4PB50S	20 to 50	LC1D50A	65		
		10	28	20	27			GV3P32	23 to 32	LC1D32	65	GV4PB50S	20 to 50	LC1D50A	65		
10	32.2			25	34			GV3P40	30 to 40	LC1D40A	65	GV4PB50S	20 to 50	LC1D50A	65		
		15	42	30	40			GV3P50	37 to 50	LC1D50A	65	GV4PB50S	20 to 50	LC1D50A	65		
15	48							GV3P65	48 to 65	LC1D65A	65	GV4PB50S	20 to 50	LC1D50A	65		
		20	54	40	52			GV3P65	48 to 65	LC1D65A	65	GV4PB80S	40 to 80	LC1D80	65		
20	62.1												GV4PB115S	40 to 80	LC1D80	65	
25	78.2	25	68	50	65								GV4PB115S	40 to 80	LC1D80	65	
30	92	30	80	60	77								GV4PB115S	65 to 115	LC1D115A	65	

(1) Motor Full Load Amp Sizes are based on NEC Table 430.250.

(2) Requires use of GV1G09 or GV2GH7 line spacer for Type F rating.

(3) Add coil suffix to complete reference part number. For example, an LC1D09G7 includes a 120 V AC coil.

(4) Requires use of GV3G66 line spacer and GVAM11 short-circuit signaling contact for Type F rating.

(5) SCCR is 42 kA at 480Y when using GV2G busbar links.

0.06 to 30 kW at 400/415, 440 and 500 V: type 1 coordination														
Standard power ratings of 3-phase motors 50/60 Hz in category AC-3									Circuit breaker			Contactor	Thermal overload relay	
400/415 V			440 V			500 V			Reference	Rating	I _{rm} ⁽¹⁾	Reference ⁽²⁾	Reference	Setting range
P	I _e	I _q	P	I _e	I _q	P	I _e	I _q		A	A			A
kW	A	kA	kW	A	kA	kW	A	kA						
0.06	0.2	50	0.06	0.19	50	–	–	–	GV2LE03	0.4	5.8	LC1K06	LR2K0302	0.16...0.23
–	–	–	0.09	0.28	50	–	–	–	GV2LE03	0.4	5.8	LC1K06	LR2K0303	0.23...0.36
0.09	0.3	50	0.12	0.37	50	–	–	–	GV2LE03	0.4	5.8	LC1K06	LR2K0304	0.36...0.54
0.12	0.44	50	–	–	–	–	–	–	GV2LE04	0.63	9.3	LC1K06	LR2K0304	0.36...0.54
0.18	0.6	50	0.18	0.55	50	–	–	–	GV2LE04	0.63	9.3	LC1K06	LR2K0305	0.54...0.8
–	–	–	0.25	0.76	50	–	–	–	GV2LE05	1	15.1	LC1K06	LR2K0305	0.54...0.8
0.25	0.85	50	–	–	–	–	–	–	GV2LE05	1	15.1	LC1K06	LR2K0306	0.8...1.2
0.37	1.1	50	0.37	1	50	0.37	0.88	50	–	–	–	–	–	–
0.55	1.5	50	0.55	1.36	50	0.55	1.2	50	GV2LE06	1.6	26.2	LC1K06	LR2K0307	1.2...1.8
–	–	–	–	–	–	0.75	1.5	50	–	–	–	–	–	–
–	–	–	0.75	1.68	50	–	–	–	GV2LE07	2.5	39	LC1K06	LR2K0307	1.2...1.8
0.75	1.9	50	–	–	–	–	–	–	GV2LE07	2.5	39	LC1K06	LR2K0308	1.8...2.6
1.1	2.7	50	1.1	2.37	50	1.1	2.2	50	–	–	–	–	–	–
1.5	3.6	50	1.5	3.06	50	1.5	2.9	50	GV2LE08	4	74	LC1K06	LR2K0310	2.6...3.7
–	–	–	–	–	–	2.2	3.9	50	GV2LE08	4	74	LC1K06	LR2K0312	3.7...5.5
2.2	4.9	50	2.2	4.4	50	3	5.2	50	GV2LE10	6.3	91	LC1K06	LR2K0312	3.7...5.5
–	–	–	3	5.77	50	–	–	–	GV2LE10	6.3	91	LC1K06	LR2K0314	5.5...8
–	–	–	4	7.9	15	–	–	–	GV2LE14	10	149	LC1K09	LR2K0314	5.5...8
3	6.5	50	–	–	–	4	6.8	10	GV2LE14	10	149	LC1K09	LR2K0314	5.5...8
4	8.5	50	–	–	–	–	–	–	GV2LE14	10	149	LC1K09	LR2K0316	8...11.5
5.5	11.5	15	5.5	10.4	8	7.5	12.4	6	GV2LE16	14	253.4	LC1K12	LR2K0321	10...14
–	–	–	7.5	13.7	8	9	13.9	6	GV2LE16	14	253.4	LC1D18	LRD21	12...18
7.5	15.5	15	9	16.9	8	–	–	–	GV2LE20	18	341	LC1D18	LRD21	12...18
9	18.1	15	–	–	–	11	17.6	4	GV2LE22	25	388.3	LC1D25	LRD22	16...24
11	22	15	11	20.1	6	15	23	4	GV2LE22	25	388.3	LC1D25	LRD22	16...24
15	29	10	15	26.5	6	18.5	28	4	GV2LE32	32	537.6	LC1D32	LRD32	23...32
18.5	35	50	18.5	32.5	50	22	33	10	GV3L40	40	560	LC1D40A	LRD340	30...40
22	41	50	22	39	50	30	44	10	GV3L50	50	700	LC1D50A	LRD350	37...50

(1) I_{rm}: setting current of the magnetic trip.

(2) For reversing operation, replace the prefix LC1 with LC2.

30 to 55 kW at 400/415, 440 and 500 V: type 1 coordination														
Standard power ratings of 3-phase motors 50/60 Hz in category AC-3									Circuit breaker			Contactor	Thermal overload relay	
400/415 V			440 V			500 V			Reference	Rating	I _{rm} ⁽¹⁾	Reference ⁽²⁾	Reference	Setting range
P	I _e	I _q	P	I _e	I _q	P	I _e	I _q						
kW	A	kA	kW	A	kA	kW	A	kA						A
30	55	50	30	51.5	50	37	53	10	GV3L65	65	910	LC1D65A	LRD365	48...65
–	–	–	37	64	50	37	53	10	GV3L65	65	910	LC1D65A	LRD365	48...65
–	–	–	–	–	–	45	64	50	GV3L65	65	910	LC1D80	LRD3361	55...70
37	66	50	–	–	–	–	–	–	GV3L73	73	1120	LC1D80A	LRD380	62...80
–	–	–	37	64	70	–	–	–	GV4L80	80	880	LC1D65A	LRD365	48...65
–	–	–	–	–	–	45	64	30	GV4L80	80	880	LC1D80	LRD3361	55...70
37	66	100	–	–	–	–	–	–	GV4L80	80	1040	LC1D80	LRD3361	55...70
–	–	–	45	76	70	55 ⁽³⁾	78	30	GV4L80	80	1040	LC1D80	LRD3363	63...80
45 ⁽³⁾	80	100	–	–	–	–	–	–	GV4L115	115	1380	LC1D95	LRD3365	80...104

(1) I_{rm}: setting current of the magnetic trip.

(2) For reversing operation, replace the prefix LC1 with LC2.

(3) Please refer to Type 2 coordination tables for higher ratings.

0.06 to 18.5 kW at 400/415, 440 and 500 V: type 2 coordination														
Standard power ratings of 3-phase motors 50/60 Hz in category AC-3									Circuit breaker			Contactor	Thermal overload relay	
400/415 V			440 V			500 V			Reference	Rating	I _{rm} ⁽¹⁾	Reference ⁽²⁾	Reference	Setting range
P	I _e	I _q	P	I _e	I _q	P	I _e	I _q		A	A			A
kW	A	kA	kW	A	kA	kW	A	kA						
0.06	0.2	130	0.06	0.19	130	-	-	-	GV2L03 or LE03	0.4	5.8	LC1D09	LRD02	0.16...0.25
0.09	0.3	130	0.09	0.28	130	-	-	-	GV2L03 or LE03	0.4	5.8	LC1D09	LRD03	0.25...0.40
-	-	-	0.12	0.37	130	-	-	-						
0.12	0.44	130	-	-	-	-	-	-	GV2L04 or LE04	0.63	9.3	LC1D09	LRD04	0.4...0.63
0.18	0.6	130	0.18	0.55	130	-	-	-						
0.25	0.85	130	0.25	0.76	130	-	-	-	GV2L05 or LE05	1	15.1	LC1D09	LRD05	0.63...1
0.37	1.1	130	0.37	0.99	130	0.37	0.88	130						
0.55	1.5	130	-	-	-	0.55	1.2	130	GV2L06 or LE06	1.6	26.2	LC1D09	LRD06	1...1.6
-	-	-	0.55	1.36	130	0.75	1.5	130						
0.75	1.9	130	0.75	1.68	130	1.1	2.2	130	GV2L07 or LE07	2.5	39	LC1D09	LRD07	1.6...2.5
1.1	2.7	130	1.1	2.37	130	1.5	2.9	130	GV2L08 or LE08	4	74	LC1D09	LRD08	2.5...4
1.5	3.6	130	1.5	3.06	130	2.2	3.9	130						
2.2	4.9	130	-	-	-	-	-	-	GV2L10 or LE10	6.3	91	LC1D09	LRD10	4...6
-	-	-	-	-	-	3	5.2	13						
-	-	-	2.2	4.42	50	-	-	-	GV2LE10	6.3	91	LC1D09	LRD10	4...6
-	-	-	3	5.77	50	3	5.2	50						
-	-	-	2.2	4.42	130	-	-	-	GV2L10	6.3	91	LC1D09	LRD10	4...6
-	-	-	3	5.77	130	3	5.2	130						
3	6.5	130	-	-	-	-	-	-	GV2L14 or LE14	10	149	LC1D09	LRD12	5.5...8
-	-	-	-	-	-	4	6.8	10	GV2LE14	10	149	LC1D12	LRD12	5.5...8
-	-	-	-	-	-	4	6.8	50	GV2L14	10	149	LC1D12	LRD12	5.5...8
4	8.5	130	-	-	-	-	-	-	GV2L14 or LE14	10	149	LC1D09	LRD14	7...10
-	-	-	4	7.9	15	-	-	-	GV2LE14	10	149	LC1D09	LRD14	7...10
-	-	-	4	7.9	130	-	-	-	GV2L14	10	149	LC1D09	LRD14	7...10
-	-	-	-	-	-	5.5	9.2	10	GV2LE14	10	149	LC1D09	LRD14	7...10
-	-	-	-	-	-	5.5	9.2	50	GV2L14	10	149	LC1D09	LRD14	7...10
5.5	11.5	130	5.5	10.4	50	7.5	12.4	42	GV2L16	14	253.4	LC1D25	LRD16	9...13
-	-	-	7.5	13.7	50	-	-	-	GV2L16	14	253.4	LC1D25	LRD21	12...18
7.5	15.5	50	9	16.9	20	9	13.9	10	GV2L20	18	341	LC1D25	LRD21	12...18
9	18.1	50	-	-	-	-	-	-	GV2L22	25	388.3	LC1D25	LRD22	16...24
11	22	50	11	20.1	20	-	-	-						
-	-	-	-	-	-	11	17.6	10	GV2L22	25	388.3	LC1D32	LRD22	16...24
-	-	-	-	-	-	15	23	10						
15	29	50	15	26.5	50	-	-	-	GV3L32	32	448	LC1D40A	LRD332	23...32
-	-	-	-	-	-	18.5	28	10	GV3L32	32	448	LC1D65A	LRD332	23...32

(1) I_{rm}: setting current of the magnetic trip.
 (2) For reversing operation, replace the prefix LC1 with LC2.

Coordination and standards

Coordination: Magnetic circuit breaker + Contactor + Overload relay

0.18 to 22 kW at 690 V: type 2 coordination									
Standard power ratings of 3-phase motors 50/60 Hz in category AC-3			Limiting block	Circuit breaker			Contactor	Thermal overload relay	
690 V			Product type	Product type	Ir setting ⁽¹⁾	I _{rm} ⁽¹⁾	Product type	Product type	Setting range
P	I _e	I _q			A	A			A
kW	A	kA							
0.18	0.35	100	–	GV2L03	0.4	5.8	LC1D09	LRD03	0.25...0.4
0.25	0.49	100	–	GV2L04	0.63	9.3	LC1D09	LRD04	0.4...0.63
0.37	0.64	100	–	GV2L05	1	15.1	LC1D09	LRD05	0.63...1
0.55	0.87	100	–	GV2L05	1	15.1	LC1D09	LRD05	0.63...1
0.75	1.1	100	–	GV2L06	1.6	26.2	LC1D09	LRD06	1...1.6
1.1	1.6	100	–	GV2L06	1.6	26.2	LC1D09	LRD06	1...1.6
1.5	2.1	65	LA9LB920 ⁽²⁾	GV2L07	2.5	39	LC1D25	LRD07	1.6...2.5
2.2	2.8	65	LA9LB920 ⁽²⁾	GV2L08	4	74	LC1D25	LRD08	2.5...4
3	3.8	65	LA9LB920 ⁽²⁾	GV2L08	4	74	LC1D25	LRD08	2.5...4
4	4.9	65	LA9LB920 ⁽²⁾	GV2L10	6.3	91	LC1D25	LRD10	4...6
5.5	6.7	65	LA9LB920 ⁽²⁾	GV2L14	10	149	LC1D32	LRD12	5.5...8
7.5	8.9	65	LA9LB920 ⁽²⁾	GV2L14	10	149	LC1D32	LRD14	7...10
9	10.6	65	LA9LB920 ⁽²⁾	GV2L16	14	253.4	LC1D32	LRD16	9...13
11	12.8	65	LA9LB920 ⁽²⁾	GV2L16	14	253.4	LC1D32	LRD16	9...13
15	17	65	LA9LB920 ⁽²⁾	GV2L20	18	341	LC1D32	LRD21	12...18
18.5	21	65	LA9LB920 ⁽²⁾	GV2L22	25	388.3	LC1D32	LRD22	16...24
22	24	65	LA9LB920 ⁽²⁾	GV2L22	25	388.3	LC1D32	LRD32	23...32
22	24	65	LA9LB920 ⁽²⁾	GV2L32	32	537.6	LC1D40A	LRD332	23...32

(1) This setting is a general guidance, I_r and I_{rm} should be adjusted according to motor characteristics and conditions of use.

(2) For more information about the current limiter LA9LB920, please refer to pages A4/32 and A4/48.

18.5 to 90 kW at 400/415, 440 and 500 V: type 2 coordination

Standard power ratings of 3-phase motors 50/60 Hz in category AC-3									Circuit breaker			Contactor	Thermal overload relay	
400/415 V			440 V			500 V			Reference	Rating	I _{rm} ⁽¹⁾	Reference ⁽²⁾	Reference	Setting range
P	I _e	I _q	P	I _e	I _q	P	I _e	I _q		A	A			A
kW	A	kA	kW	A	kA	kW	A	kA						
18.5	35	50	–	–	–	–	–	–	GV3L40	40	560	LC1D50A	LRD340	30...40
–	–	–	18.5	32.5	50	–	–	–	GV3L40	40	560	LC1D65A	LRD340	30...40
22	41	50	–	–	–	–	–	–	GV3L50	50	700	LC1D50A	LRD350	37...50
–	–	–	22	39	50	30	44	10	GV3L50	50	700	LC1D65A	LRD350	37...50
30	55	50	30	51.5	50	37	53	10	GV3L65	65	910	LC1D65A	LRD365	48...65
37	66	50	–	–	–	–	–	–	GV3L73	73	1120	LC1D80A	LRD380	62...80
45	60	50	–	–	–	–	–	–	GV3L80	80	1120	LC1D95	LRD3363	63...80
–	–	–	37	64	70	–	–	–	GV4L80	80	880	LC1D65A	LRD365	48...65
37	66	100	45	76	70	⁽⁴⁾	⁽⁴⁾	⁽⁴⁾	GV4L80	80	1040	LC1D80	LRD3363	63...80
45	80	100	55	90	70	⁽⁴⁾	⁽⁴⁾	⁽⁴⁾	GV4L115	115	1380	LC1D115A	LR9G115	28...115
55	97	100	–	–	–	⁽⁴⁾	⁽⁴⁾	⁽⁴⁾	GV4L115	115	1495	LC1D115A	LR9G115	28...115
–	–	–	–	–	–	55	78	⁽³⁾	NSX100●MA ⁽³⁾	100	1040	LC1D80	LRD3363	63...80
45	80	⁽³⁾	55	90	⁽³⁾	–	–	–	NSX100●MA ⁽³⁾	100	1300	LC1D115A	LR9G115	28...115
55	97	⁽³⁾	–	–	–	–	–	–	NSX160●MA ⁽³⁾	150	1500	LC1D115A	LR9G115	28...115
–	–	–	–	–	–	75	106	⁽³⁾	NSX160●MA ⁽³⁾	150	1950	LC1D115A	LR9G225	57...225
75	132	⁽³⁾	75	125	⁽³⁾	–	–	–	NSX160●MA ⁽³⁾	150	1950	LC1D150A	LR9G225	57...225
–	–	–	90	146	⁽³⁾	–	–	–	NSX160●MA ⁽³⁾	150	1950	LC1D150A	LR9G225	57...225
–	–	–	–	–	–	90	128	⁽³⁾	NSX160●MA ⁽³⁾	150	1200	LC1D150A	LR9G225	57...225

(1) I_{rm}: setting current of the magnetic trip.

(2) For reversing operation, replace the prefix LC1 with LC2.

(3) Product type to be completed by replacing the ● with the breaking performance code:

Breaking performance I _q (kA)	NSX100●MA		NSX160●MA and NSX250●MA		NSX400● and NSX630●	
400/415 V	36	70	36	70	70	150
440 V	35	65	35	65	65	130
500 V	25	50	25	50	50	70
660/690 V	8	10	8	10	20	20
Code	F	H	F	H	H	L

(4) Please consult your regional sales office.

45 to 335 kW at 400/415 V: type 2 coordination (with TeSys GV4 or ComPacT NSX circuit breakers and LR9G overload relays)

Standard power ratings of 3-phase motors 50/60 Hz in category AC-3e			Circuit breaker		Contactor	Thermal overload relay	
400/415 V			Product type ⁽¹⁾	I _{rm} ⁽²⁾	Product type	Product type	I _r setting ⁽²⁾
P	I _e	I _q (max)					
kW	A	kA		A			A
45	80	100	GV4L/GV4LE115●	1265	LC1G115	LR9G115	80
45	80	100	NSX100● + MA	1100	LC1G115	LR9G115	80
55	97	130	GV4L/GV4LE115●	1265	LC1G115	LR9G225	97
55	97	130	NSX160● + MA	1500	LC1G115	LR9G225	97
75	132	130	NSX160● + MA	1800	LC1G150	LR9G225	132
90	160	130	NSX250● + MA	2640	LC1G185	LR9G225	160
110	195	130	NSX250● + MA	2640	LC1G225	LR9G225	195
110	195	130	NSX400● + MicroLogic 1.3 M	3520	LC1G265	LR9G500	195
132	230	130	NSX400● + MicroLogic 1.3 M	3520	LC1G265	LR9G500	230
160	280	130	NSX400● + MicroLogic 1.3 M	3840	LC1G330	LR9G500	280
200	350	130	NSX630● + MicroLogic 1.3 M	5500	LC1G400	LR9G500	350
220	380	130	NSX630● + MicroLogic 1.3 M	5500	LC1G500	LR9G500	380
250	430	130	NSX630● + MicroLogic 1.3 M	6000	LC1G500	LR9G500	430
300	500	130	NS800● + MicroLogic 5.0 LR OFF	6400	LC1G630	LR9G630	500
335	575	130	NS800● + MicroLogic 5.0 LR OFF	7200	LC1G630	LR9G630	575

(1) Product type to be completed by replacing the ● with the breaking performance code:

Rated conditional short-circuit (kA)	GV4L115●/ GV4LE115●			NSX100●/ NSX160●/ NSX250●/ NSX400●/ NSX630●					NS800●
	B	N	S	F	N	H	S	L	L
400/415 V	25	50	100	36	50	70	100	130	150

55 to 355 kW at 440 V: type 2 coordination (with TeSys GV4 or ComPacT NSX/NS circuit breakers and LR9G overload relays)

Standard power ratings of 3-phase motors 50/60 Hz in category AC-3e			Circuit breaker		Contactor	Thermal overload relay	
440 V			Product type ⁽¹⁾	I _{rm} ⁽²⁾	Product type	Product type	I _r setting ⁽²⁾
P	I _e	I _q (max)					
kW	A	kA		A			A
55	88	70	GV4L/GV4LE115●	1265	LC1G115	LR9G115	88
55	88	130	NSX100● + MA	1500	LC1G115	LR9G115	88
75	120	130	NSX160● + MA	1800	LC1G150	LR9G225	120
90	145	130	NSX160● + MA	2640	LC1G150	LR9G225	145
110	177	130	NSX250● + MA	2640	LC1G185	LR9G225	177
132	209	130	NSX250● + MA	2860	LC1G225	LR9G225	209
160	255	130	NSX400● + MicroLogic 1.3 M	3520	LC1G265	LR9G500	255
200	318	130	NSX400● + MicroLogic 1.3 M	4160	LC1G330	LR9G500	318
220	343	130	NSX630● + MicroLogic 1.3 M	5500	LC1G400	LR9G500	343
250	390	130	NSX630● + MicroLogic 1.3 M	5500	LC1G400	LR9G500	390
300	466	130	NSX630● + MicroLogic 1.3 M	6500	LC1G500	LR9G500	466
335	521	130	NS800● + MicroLogic 5.0 LR OFF	6400	LC1G630	LR9G630	521
355	554	130	NS800● + MicroLogic 5.0 LR OFF	7200	LC1G630	LR9G630	554

(1) Product type to be completed by replacing the ● with the breaking performance code:

Rated conditional short-circuit (kA)	GV4L115●/ GV4LE115●			NSX100●/ NSX160●/ NSX250●					NSX400●/ NSX630●					NS800●
	B	N	S	F	N	H	S	L	F	N	H	S	L	L
440 V	20	50	70	35	50	65	100	130	30	42	65	100	130	150

(2) This setting is a general guidance, I_r and I_{rm} should be adjusted according to motor characteristics and conditions of use.

65 to 425 kW at 500 V: type 2 coordination (with TeSys GV4 or ComPact NSX/NS circuit breakers and LR9G overload relays)

Standard power ratings of 3-phase motors 50/60 Hz in category AC-3e			Circuit breaker		Contactor	Thermal overload relay	
500 V			Product type ⁽¹⁾	I _{rm} ⁽²⁾	Product type	Product type	I _r setting ⁽²⁾
P	I _e	I _q (max)					
kW	A	kA					A
65	92	30	GV4L/GV4LE115●	1265	LC1G115	LR9G115	92
65	92	70	NSX100● + MA100	1300	LC1G115	LR9G115	92
90	128	70	NSX160● + MA150	1950	LC1G150	LR9G225	128
110	156	70	NSX250● + MA220	2200	LC1G185	LR9G225	156
132	184	70	NSX400● + MicroLogic 1.3 M	2560	LC1G225	LR9G225	184
160	224	70	NSX400● + MicroLogic 1.3 M	3200	LC1G265	LR9G500	224
200	280	70	NSX400● + MicroLogic 1.3 M	3840	LC1G330	LR9G500	280
250	344	70	NSX630● + MicroLogic 1.3 M	5500	LC1G400	LR9G500	344
295	405	70	NSX630● + MicroLogic 1.3 M	6500	LC1G500	LR9G500	405
375	516	70	NS800● + MicroLogic 5.0 LR OFF	6400	LC1G630	LR9G630	516
425	584	70	NS800● + MicroLogic 5.0 LR OFF	7200	LC1G800	LR9G630	584

(1) Product type to be completed by replacing the ● with the breaking performance code:

Rated conditional short-circuit (kA)	GV4L115●/ GV4LE115●			NSX100●					NSX160●/ NSX250●					NSX400●/ NSX630●					NS800●
	B	N	S	F	N	H	S	L	F	N	H	S	L	F	N	H	S	L	L
500 V	10	25	30	25	36	50	65	70	30	36	50	65	70	25	30	50	65	70	100

(2) This setting is a general guidance, I_r and I_{rm} should be adjusted according to motor characteristics and conditions of use.

0.06 to 30 kW at 400/415 and 690 V: type 2 coordination												
Standard power ratings of 3-phase motors 50/60 Hz in category AC-3						Circuit breaker			Contactor		Electronic thermal overload relay	
400/415 V			690 V			Reference	Rating	I _{rm}	Reference	Reference	Setting range	
P	I _e	I _q	P	I _e	I _q		A	A			A	
kW	A	kA	kW	A	kA							
0.06	0.2	100	–	–	–	GV2L03	0.4	5.8	LC1D09	LR9D01	0.1...0.5	
0.09	0.3	100	–	–	–	GV2L03	0.4	5.8	LC1D09	LR9D01	0.1...0.5	
0.12	0.44	100	–	–	–	GV2L04	0.63	9.3	LC1D18	LR9D02	0.4...2.0	
0.18	0.6	100	–	–	–	GV2L04	0.63	9.3	LC1D18	LR9D02	0.4...2.0	
0.25	0.85	100	–	–	–	GV2L05	1	15.1	LC1D18	LR9D02	0.4...2.0	
0.37	1.1	100	–	–	–	GV2L05	1	15.1	LC1D18	LR9D02	0.4...2.0	
0.55	1.5	100	–	–	–	GV2L06	1.6	26.2	LC1D18	LR9D02	0.4...2.0	
0.75	1.9	100	–	–	–	GV2L07	2.5	39	LC1D18	LR9D08	1.6...8.0	
1.1	2.7	100	–	–	–	GV2L08	4	74	LC1D18	LR9D08	1.6...8.0	
1.5	3.6	100	–	–	–	GV2L08	4	74	LC1D18	LR9D08	1.6...8.0	
2.2	4.9	100	–	–	–	GV2L10	6.3	91	LC1D18	LR9D08	1.6...8.0	
3	6.5	100	–	–	–	GV2L14	10	149	LC1D25	LR9D32	6.4...32	
4	8.5	100	–	–	–	GV2L14	10	149	LC1D25	LR9D32	6.4...32	
5.5	11.5	100	–	–	–	GV2L16	14	253.4	LC1D25	LR9D32	6.4...32	
7.5	15.5	50	–	–	–	GV2L20	18	341	LC1D25	LR9D32	6.4...32	
11	22	50	–	–	–	GV2L22	25	388.3	LC1D25	LR9D32	6.4...32	
15	29	50	–	–	–	GV3L32	40	448	LC1D65A	LR9D110S	22...110	
18.5	35	50	–	–	–	GV3L40	40	560	LC1D65A	LR9D110S	22...110	
22	41	50	–	–	–	GV3L50	50	700	LC1D65A	LR9D110S	22...110	
30	55	50	–	–	–	GV3L65	65	910	LC1D65A	LR9D110S	22...110	
–	–	–	0.37	0.64	50	GV2L05	1	15.1	LC1D09	LR9D02	0.4...2.0	
–	–	–	0.55	0.87	50	GV2L05	1	15.1	LC1D09	LR9D02	0.4...2.0	
–	–	–	0.75	1.1	50	GV2L06	1.6	26.2	LC1D09	LR9D02	0.4...2.0	
–	–	–	1.1	1.6	50	GV2L07 + LA9LB920 ⁽¹⁾	2.5	39	LC1D25	LR9D08	1.6...8.0	
–	–	–	1.5	2.1	50	GV2L07 + LA9LB920 ⁽¹⁾	2.5	39	LC1D25	LR9D08	1.6...8.0	
–	–	–	2.2	2.8	50	GV2L08 + LA9LB920 ⁽¹⁾	4	74	LC1D25	LR9D08	1.6...8.0	
–	–	–	3	4	50	GV2L08 + LA9LB920 ⁽¹⁾	4	74	LC1D25	LR9D08	1.6...8.0	
–	–	–	4	5	50	GV2L10 + LA9LB920 ⁽¹⁾	6.3	91	LC1D25	LR9D08	1.6...8.0	
–	–	–	5.5	7	50	GV2L14 + LA9LB920 ⁽¹⁾	10	149	LC1D25	LR9D32	6.4...32	
–	–	–	7.5	8.9	50	GV2L14 + LA9LB920 ⁽¹⁾	10	149	LC1D25	LR9D32	6.4...32	
–	–	–	11	13	3	GV2L16 + LA9LB920 ⁽¹⁾	14	253.4	LC1D32	LR9D32	6.4...32	
–	–	–	15	16.5	3	GV2L22 + LA9LB920 ⁽¹⁾	18	388.3	LC1D32	LR9D32	6.4...32	
–	–	–	18.5	21	3	GV3L25 + LA9LB920 ⁽¹⁾	25	350	LC1D65A	LR9D32	6.4...32	
–	–	–	22	25	3	GV2L32 + LA9LB920 ⁽¹⁾	32	537.6	LC1D65A	LR9D32	6.4...32	

⁽¹⁾ For more information about the current limiter LA9LB920, please refer to pages A4/32 and A4/48.

Coordination
and
standards

30 to 500 kW at 690 V: type 2 coordination (with ComPacT NSX/NS circuit breakers and LR9G overload relays)

Standard power ratings of 3-phase motors 50/60 Hz in category AC-3e			Circuit breaker		Contactor	Thermal overload relay	
690 V			Product type ⁽¹⁾	I _{rm} ⁽²⁾	Product type	Product type	I _r setting ⁽²⁾
P	I _e	I _q (max)					
kW	A	kA		A			A
30	32	100	NSX100● + MA	550	LC1G115	LR9G115	32
37	39	100	NSX100● + MA	550	LC1G115	LR9G115	39
45	47	100	NSX100● + MA	650	LC1G115	LR9G115	47
55	57	100	NSX100● + MA	1100	LC1G115	LR9G115	57
75	77	100	NSX100● + MA	1100	LC1G115	LR9G225	77
90	93	100	NSX250● + MA	1650	LC1G150	LR9G225	93
110	113	100	NSX250● + MA	1650	LC1G185	LR9G225	113
132	134	100	NSX250● + MA	1800	LC1G225	LR9G225	134
160	162	100	NSX250● + MA	2420	LC1G225	LR9G225	162
200	203	100	NSX250● + MA	2640	LC1G265	LR9G500	203
220	223	100	NSX400● + MicroLogic 1.3 M	3520	LC1G330	LR9G500	223
250	250	100	NSX400● + MicroLogic 1.3 M	3520	LC1G400	LR9G500	250
315	313	100	NSX630● + MicroLogic 1.3 M	5500	LC1G400	LR9G500	313
335	335	100	NSX630● + MicroLogic 1.3 M	5500	LC1G500	LR9G500	335
355	354	100	NSX630● + MicroLogic 1.3 M	5500	LC1G500	LR9G500	354
375	374	100	NSX630● + MicroLogic 1.3 M	5500	LC1G630	LR9G630	374
400	400	100	NSX630● + MicroLogic 1.3 M	5500	LC1G630	LR9G630	400
450	455	100	NSX630● + MicroLogic 1.3 M	6000	LC1G630	LR9G630	455
475	475	100	NSX630● + MicroLogic 1.3 M	6500	LC1G630	LR9G630	475
500	493	100	NSX630● + MicroLogic 1.3 M	6500	LC1G630	LR9G630	493

(1) Product type to be completed by replacing the ● with the breaking performance code:

Rated conditional short-circuit (kA)	NSX100●/ NSX250●/ NSX400●/ NSX630●	
Breaking performance code	HB1	HB2
690 V	75	100

(2) This setting is a general guidance, I_r and I_{rm} should be adjusted according to motor characteristics and conditions of use.

22 to 75 kW at 400/415 and 440 V: type 1 coordination

Maximum operating rate: LC3K: 12 starts/hour; LC3D: 30 starts/hour.

Maximum starting time: LC3K and LC3D: 30 seconds.

Standard power ratings of 3-phase motors 50/60 Hz in category AC-3								Fuse carrier (basic block)	aM fuses		Star-Delta contactors	Thermal overload relay	
400/415 V				440 V					Reference	Size		Rating	Reference
P	I _e	I _{rD} ⁽¹⁾	I _q	P	I _e	I _{rD} ⁽¹⁾	I _q						
kW	A	A	kA	kW	A	A	kA			A			A
–	–	–	–	22	39	23	100	GS2J	22 x 58	50	LC3D18A	LRD22	16...24
22	42	24	100	–	–	–	–	GS2J	22 x 58	50	LC3D32A	LRD32	23...32
–	–	–	–	30	51.5	30	100	GS2J	22 x 58	63	LC3D32A	LRD32	23...32
30	57	33	100	37	64	37	100	GS2J	22 x 58	80	3 x LC1D40A	LRD340	30...40
37	69	40	100	–	–	–	–	GS2J	22 x 58	80	3 x LC1D40A	LRD350	37...50
–	–	–	–	45	76	44	100	GS2J	22 x 58	80	3 x LC1D50A	LRD350	37...50
45	81	47	100	–	–	–	–	GS2J	22 x 58	100	3 x LC1D50A	LRD350	37...50
–	–	–	–	55	90	52	100	GS2K	22 x 58	100	3 x LC1D50A	LRD365	48...65
55	100	58	100	–	–	–	–	GS2K	22 x 58	125	3 x LC1D65A	LRD365	48...65
75 ⁽²⁾	135	78	100	75 ⁽²⁾	125	72	100	GS2L	T0	160	LC3D80	LRD3363	63...80

(1) I_{rD}: current in the motor windings in delta connection.

(2) Please refer to Type 2 coordination tables for higher ratings.

1.5 to 355 kW at 400/415 and 440 V: type 2 coordination

Maximum operating rate: LC1D: 30 starts/hour; LC1F: 12 starts/hour.

Maximum starting time: LC1D: 30 seconds; LC1F: 20 seconds.

Standard power ratings of 3-phase motors 50/60 Hz in category AC-3						Switch-disconnector-fuse	aM fuses		Star-Delta contactors	Thermal overload relay	
400/415 V			440 V			Reference	Size	Rating	Reference	Reference	Setting range
P	I _e	I _q	P	I _e	I _q						
kW	A	kA	kW	A	kA			A			A
1.5	3.5	50	1.5	3.06	50	GS1DD	10 x 38	4	3 x LC1D09	LRD08	2.5...4
2.2	5	50	2.2	4.42	50	GS1DD	10 x 38	6	3 x LC1D09	LRD10	4...6
3	6.5	50	3	5.77	50	GS1DD	10 x 38	8	3 x LC1D09	LRD12	5.5...8
4	8.4	50	4	7.9	50	GS1DD	10 x 38	10	3 x LC1D09	LRD14	7...10
5.5	11	50	5.5	10.4	50	GS1DD	10 x 38	16	3 x LC1D12	LRD16	9...13
7.5	14.8	50	7.5	13.7	50	GS1DD	10 x 38	16	3 x LC1D18	LRD21	12...18
9	18.1	100	9	16.9	100	GS2F	14 x 51	25	3 x LC1D25	LRD22	
11	21	100	11	20.1	100						16...24
15	28.5	100	15	26.5	100	GS2F	14 x 51	32	3 x LC1D32	LRD32	23...32
18.5	35	100	18.5	32.8	100	GS2F	14 x 51	40	3 x LC1D40A	LRD340	30...40
22	42	100	22	39	100	GS2J	22 x 58	50	3 x LC1D50A	LRD350	37...50
30	57	100	30	51.5	100	GS2J	22 x 58	80	3 x LC1D65A	LRD365	48...65
37	69	100	37	64	100	GS2J	22 x 58	80	3 x LC1D80	LRD3363	63...80
–	–	–	45	76	100						
45	81	100	–	–	–	GS2J	22 x 58	100	2 x LC1D115A + LC1D40A	LR9G115	28...115
–	–	–	55	90	100	GS2L	T0	125	2 x LC1D115A + LC1D40A	LR9G115	28...115
55	100	100	–	–	–	GS2L	T0	125	2 x LC1D115A + LC1D40A	LR9G115	28...115
–	–	–	75	125	100	GS2L	T0	160	2 x LC1D115A + LC1D50A	LR9G115	28...115

Coordination: Star-Delta with Fuses (DIN type aM) + Contactors + Overload relay

Contactors: **Maximum operating rate:** 30 starts/hour - **Maximum starting time:** 30 seconds.

The coordination table is for normal starting conditions (Class 10e/ 20e). For other heavy starting applications with long start times, please contact your technical support.

RE17RMMWS timer to be used for Star-Delta starter application.

90 to 335 kW at 400/415 V: type 2 coordination									
Standard power ratings of 3-phase motors 50/60 Hz in category AC-3			Switch-disconnector	aM fuses		Contactor Line (KM2) / Delta (KM3) ⁽¹⁾	Contactor Star (KM1) ⁽¹⁾	Thermal overload relay	
400/415 V			Product type	Size	Rating	Product type		Product type	Ir setting ⁽²⁾
P	I _e	I _q (max)							
kW	A	kA			A				A
90	160	80	GS2N	1	200	LC1G115	LC1D65	LR9G115	92
110	195	80	GS2N	1	250	LC1G150	LC1D80	LR9G225	113
132	230	80	GS2QQ	2	315	LC1G185	LC1G115	LR9G225	133
160	280	80	GS2QQ	2	400	LC1G225	LC1G115	LR9G225	162
200	350	80	GS2S	3	500	LC1G265	LC1G115	LR9G225	202
220	380	80	GS2S	3	500	LC1G330	LC1G150	LR9G500	219
250	430	80	GS2S	3	500	LC1G400	LC1G150	LR9G500	248
315	540	80	GS2S	3	630	LC1G500	LC1G225	LR9G500	312
335	575	80	GS2V	4	800	LC1G500	LC1G225	LR9G500	332

110 to 400 kW at 440 V: type 2 coordination									
Standard power ratings of 3-phase motors 50/60 Hz in category AC-3			Switch-disconnector	aM fuses		Contactor Line (KM2) / Delta (KM3) ⁽¹⁾	Contactor Star (KM1) ⁽¹⁾	Thermal overload relay	
440 V			Product type	Size	Rating	Product type		Product type	Ir setting ⁽²⁾
P	I _e	I _q max							
kW	A	kA			A				A
110	177	80	GS2N	1	200	LC1G115	LC1D65	LR9G115	102
132	209	80	GS2N	1	250	LC1G150	LC1D80	LR9G225	121
160	255	80	GS2QQ	2	315	LC1G150	LC1G115	LR9G225	147
200	318	80	GS2QQ	2	400	LC1G185	LC1G115	LR9G225	184
220	343	80	GS2S	3	500	LC1G225	LC1G115	LR9G225	198
250	390	80	GS2S	3	500	LC1G265	LC1G150	LR9G500	225
315	490	80	GS2S	3	500	LC1G330	LC1G185	LR9G500	283
355	554	80	GS2S	3	630	LC1G330	LC1G225	LR9G500	320
400	627	80	GS2V	4	800	LC1G400	LC1G225	LR9G500	362

90 to 315 kW at 500 V: type 2 coordination									
Standard power ratings of 3-phase motors 50/60 Hz in category AC-3			Switch-disconnector	aM fuses		Contactor Line (KM2) / Delta (KM3) ⁽¹⁾	Contactor Star (KM1) ⁽¹⁾	Thermal overload relay	
500 V			Product type	Size	Rating	Product type		Product type	Ir setting ⁽²⁾
P	I _e	I _q max							
kW	A	kA			A				A
90	128	80	GS2N	1	200	LC1G115	LC1D65	LR9G115	74
110	156	80	GS2N	1	250	LC1G115	LC1D65	LR9G115	90
132	184	80	GS2QQ	2	315	LC1G115	LC1D65	LR9G225	106
160	224	80	GS2QQ	2	400	LC1G150	LC1D80	LR9G225	129
200	280	80	GS2S	3	500	LC1G185	LC1G115	LR9G225	162
220	308	80	GS2S	3	500	LC1G185	LC1G115	LR9G500	178
250	344	80	GS2S	3	500	LC1G225	LC1G150	LR9G500	199
315	432	80	GS2S	3	630	LC1G265	LC1G185	LR9G630	249

(1) Refer to diagram page A5/43.

(2) This setting is a general guidance, Ir should be adjusted according to motor characteristics and conditions of use.

Coordination: Star-Delta with BS fuses + Contactors + Overload relay

1.5 to 80 kW at 415 and 440 V: type 2 coordination

Maximum operating rate: LC1D: 30 starts/hour.

Maximum starting time: LC1D: 30 seconds.

Standard power ratings of 3-phase motors 50/60 Hz in category AC-3						Switch-disconnector-fuse	BS fuses		Star-Delta contactors	Thermal overload relay	
415 V			440 V				Reference	Size		Rating	Reference
P	I _e	I _q	P	I _e	I _q			A			A
kW	A	kA	kW	A	kA						
1.5	3.5	50	1.5	3.06	50	GS1DDB	A1	NIT 16	3 x LC1D09	LRD08	2.5...4
2.2	5	50	2.2	4.42	50	GS1DDB	A1	NIT 16	3 x LC1D09	LRD10	4...6
3	6.5	50	3	5.77	50	GS1DDB	A1	NIT 20	3 x LC1D09	LRD12	5.5...8
4	8.4	50	4	7.9	50	GS1DDB	A1	NIT 20	3 x LC1D09	LRD14	7...10
5.5	11	50	5.5	10.4	50	GS1DDB	A1	NIT 20M25	3 x LC1D12	LRD16	9...13
7.5	14.8	50	7.5	13.7	50	GS1DDB	A1	NIT 20M32	3 x LC1D18	LRD21	12...18
9	18.1	50	9	16.9	50	GS2GB	A2	TIA 32M35	3 x LC1D18	LRD21	12...18
11	21	50	11	20.1	50	GS2GB	A2	TIA 32M50	3 x LC1D25	LRD22	16...24
15	28.5	50	15	26.5	50	GS2GB	A2	TIA 32M63	3 x LC1D32	LRD32	23...32
22	42	50	22	39	50	GS2GB	A3	TIS 63M80	3 x LC1D50A	LRD350	37...50
-	-	-	30	51.5	50	GS2GB	A3	TIS 63M100	3 x LC1D65A	LRD365	48...65
30	57	50	-	-	-	GS2GB	A3	TIS 63M100	3 x LC1D65A	LRD365	48...65
45	81	50	45	76	50	GS2LLB	A4	TCP 100M125	3 x LC1D80	LRD3357	37...50
55	100	80	55	90	80	GS2LLB	A4	TCP 100M160	2 x LC1D115A + LC1D40A	LRD3359 + LA7D3058	48...65
80	138	80	80	132	80	GS2LB	B2	TF 200M250	2 x LC1D115A + LC1D50A	LRD3363 + LA7D3058	90...150

Coordination and standards

Coordination: Star-Delta with Thermal magnetic circuit breaker + Contactors

1.5 to 75 kW at 400/415 V and 440 V: type 1 coordination

Maximum operating rate: LC3K: 12 starts/hour; LC3D: 30 starts/hour.

Maximum starting time: 30 seconds.

Standard power ratings of 3-phase motors 50-60 Hz in category AC-3								Circuit breaker		Star-delta contactors
400/415 V				440 V				Reference	Setting range of thermal trips	Reference
P	I _e	I _{rD} ⁽¹⁾	I _q ⁽²⁾	P	I _e	I _{rD} ⁽¹⁾	I _q ⁽²⁾	<i>References in italics are available in CEE zone only</i>		
kW	A	A	kA	kW	A	A	kA		A	
1.5	3.6	2	50	1.5	3.06	1.8	50	GV2ME08 <i>GV2ME08AP</i>	2.5...4	LC3K06
2.2	4.9	2.9	50	2.2	4.42	2.6	50	GV2ME10 <i>GV2ME10AP</i>	4...6.3	LC3K06
–	–	–	–	3	5.77	3.3	50			
3	6.5	3.8	50	–	–	–	–	GV2ME14 <i>GV2ME14AP</i>	6...10	LC3K06
4	8.5	4.9	50	4	7.9	4.6	15			
5.5	11.5	6.4	15	5.5	10.4	6	8	GV2ME16 <i>GV2ME16AP</i>	9...14	LC3K06
7.5	15.5	8.6	15	7.5	13.7	7.9	8	GV2ME20 <i>GV2ME20AP</i>	13...18	LC3K09
–	–	–	–	9	16.9	9.8	8	GV2ME20 <i>GV2ME20AP</i>	13...18	LC3D12A
9	18.1	10	15	11	20.1	12	6	GV2ME21 <i>GV2ME21AP</i>	17...23	LC3D12A
11	22	12	15	–	–	–	–	GV2ME22 <i>GV2ME22AP</i>	20...25	LC3D12A
15	29	17	10	15	26.5	15	6	GV2ME32 <i>GV2ME32AP</i>	24...32	LC3D18A
18.5	35	20	50	18.5	32.8	19	50	GV3P40	30...40	LC3D18A
–	–	–	–	22	39	23	50	GV3P50	37...50	LC3D32A
22	41	24	50	30	51.5	30	50	GV3P50	37...50	LC3D32A
30	55	33	50	30	51.5	30	50	GV3P65	48...65	LC3D32A
37	66	40	50	37	64	37	50	GV3P65	48...65	3 x LC1D40A ⁽³⁾
37	66	40	100	37	64	37	70	GV4P80	40...80	3 x LC1D40A ⁽³⁾
–	–	–	–	45	76	44	70	GV4P80	40...80	2 x LC1D50A +1 x LC1D40A ⁽³⁾
45	80	47	100	–	–	–	–	GV4P115	65...115	2 x LC1D50A +1 x LC1D40A ⁽³⁾
55	97	58	100	55	90	52	70	GV4P115	65...115	2 x LC1D65A +1 x LC1D40A ⁽³⁾
75 ⁽⁴⁾	132	78	35	75 ⁽⁴⁾	125	72	35	GV5P150F	70...150	LC3D80

⁽¹⁾ I_{rD}: current in the motor windings in delta connection.⁽²⁾ The breaking performance of circuit breakers **GV2ME** can be increased by adding a current limiter **GV1L3**, see page B6/21.⁽³⁾ For mounting 3 contactors **LC1D●●A**, Star-Delta starter kit **LAD9SD3** must be ordered separately, see page B8/52.⁽⁴⁾ Please refer to Type 2 coordination tables for higher ratings.

1.5 to 90 kW at 400/415 V and 440 V: type 2 coordination

Maximum operating rate: LC1D: 30 starts/hour.

Maximum starting time: LC1D: 30 seconds.

Standard power ratings of 3-phase motors 50-60 Hz in category AC-3								Circuit breaker		Star-delta contactors
400/415 V				440 V				Reference	Setting range of thermal trips	Reference
P	I _e	I _{rD} ⁽⁶⁾	I _q	P	I _e	I _{rD} ⁽⁶⁾	I _q ⁽¹⁾		A	
kW	A	A	kA	kW	A	A	kA			
1.5	3.6	–	130	1.5	3.06	–	130	GV2P08	2.5...4	3 x LC1D09 ⁽²⁾
2.2	4.9	–	130	2.2	4.42	–	130	GV2P10	4...6.3	3 x LC1D18 ⁽³⁾
–	–	–	–	3	5.77	–	130	GV2P10	4...6.3	3 x LC1D18 ⁽³⁾
3	6.5	–	130	–	–	–	–	GV2P14	6...10	3 x LC1D18 ⁽³⁾
4	8.5	–	130	4	7.9	–	130	GV2P14	6...10	3 x LC1D18 ⁽³⁾
5.5	11.5	–	130	5.5	10.4	–	50	GV2P16	9...14	3 x LC1D25 ⁽³⁾
–	–	–	–	7.5	13.7	–	50	GV2P16	9...14	3 x LC1D25 ⁽³⁾
7.5	15.5	–	50	9	16.9	–	20	GV2P20	13...18	3 x LC1D25 ⁽³⁾
9	18.1	–	50	11	20.1	–	20	GV2P21	17...23	3 x LC1D25 ⁽³⁾
11	22	–	50	–	–	–	–	GV2P22	20...25	3 x LC1D25 ⁽³⁾
15	29	–	50	15	26.5	–	50	GV3P32	23...32	3 x LC1D40A ⁽⁴⁾
18.5	35	–	50	–	–	–	–	GV3P40	30...40	2 x LC1D50A + 1 x LC1D40A ⁽³⁾
–	–	–	–	18.5	32.8	–	50	GV3P40	30...40	2 x LC1D65A + 1 x LC1D40A ⁽⁴⁾
22	41	–	50	–	–	–	–	GV3P50	37...50	2 x LC1D50A + 1 x LC1D40A ⁽³⁾
–	–	–	–	22	39	–	50	GV3P50	37...50	2 x LC1D65A + 1 x LC1D40A ⁽⁴⁾
30	55	–	50	30	51.5	–	50	GV3P65	48...65	2 x LC1D65A + 1 x LC1D40A ⁽⁴⁾
37	66	–	100	45	76	–	70	GV4P80	40...80	3 x LC1D80 ⁽⁵⁾
–	–	–	–	37	64	–	70	GV4P80	40...80	3 x LC1D65A ⁽⁴⁾
45	80	–	100	–	–	–	–	GV4P115	65...115	2 x LC1D115A + LC1D40A
55	97	–	100	55	90	–	70	GV4P115	65...115	2 x LC1D115A + LC1D50A
75	132	78	70	75	125	74	65	GV5P150H	70...150	2 x LC1D115A + LC1D50A
–	–	–	–	90	146	86	65	GV5P150H	70...150	2 x LC1D115A + LC1D50A

(1) The breaking performance of circuit breakers GV2P can be increased by adding a current limiter GV1L3, see page B6/21.

(2) For mounting 3 contactors LC1D09, Star-Delta starter kit LAD91217 must be ordered separately, see page B8/52.

(3) For mounting 3 contactors LC1D18 or LC1D25, Star-Delta starter kit LAD93217 must be ordered separately, see page B8/52.

(4) For mounting 3 contactors LC1D65A, Star-Delta starter kit LAD9SD3 must be ordered separately, see page B8/52.

(5) For mounting 3 contactors LC1D80, Star-Delta starter kit LA9D8017 must be ordered separately, see page B8/52.

(6) IrD: current in the motor windings in delta connection.

Coordination: Star-Delta with Thermal magnetic circuit breaker + Contactors

Contactor: **Maximum operating rate:** 30 starts/hour - **Maximum starting time:** 30 seconds.

The coordination table is for normal starting conditions (Class 10e/ 20e). For other heavy starting applications with long start times, please contact your technical support.

RE17RMMWS timer to be used for Star-Delta starter application.

90 to 250 kW at 400/415 V: type 2 coordination (with TeSys GV5/GV6 circuit breakers)							
Standard power ratings of 3-phase motors 50/60 Hz in category AC-3			Circuit breaker			Contactor Line (KM2) / Delta (KM3) ⁽³⁾	Contactor Star (KM1) ⁽³⁾
400/415 V			Product type ⁽¹⁾	I _r setting ⁽²⁾	I _{rm} ⁽²⁾	Product type	
P	I _e	I _q (max)					
kW	A	kA		A	A		
90	160	70	GV5P220●	170	1360	LC1G115	LC1D65
110	195	70	GV5P220●	200	1600	LC1G150	LC1D80
110	195	70	GV6P320●	200	1600	LC1G150	LC1D80
132	230	70	GV6P320●	240	1920	LC1G150	LC1D95
160	280	70	GV6P320●	300	2400	LC1G185	LC1G115
200	350	70	GV6P500●	380	3040	LC1G225	LC1G115
220	380	70	GV6P500●	400	3200	LC1G265	LC1G150
250	430	70	GV6P500●	440	3520	LC1G265	LC1G150

⁽¹⁾ Product type to be completed by replacing the ● with the breaking performance code:

Rated conditional short-circuit (kA)	GV5P220● GV6P320●/GV6P500●	
Breaking performance code	F	H
400/415 V	36	70

90 to 450 kW at 400/415 V: type 2 coordination (with ComPact NSX/NS circuit breakers)							
Standard power ratings of 3-phase motors 50/60 Hz in category AC-3			Circuit breaker			Contactor Line (KM2) / Delta (KM3) ⁽³⁾	Contactor Star (KM1) ⁽³⁾
400/415 V			Product type ⁽¹⁾	I _r setting ⁽²⁾	I _{rm} ⁽²⁾	Product type	
P	I _e	I _q (max)					
kW	A	kA		A	A		
90	160	130	NSX250● + MicroLogic 2.2 M	170	1360	LC1G115	LC1D65
110	195	130	NSX250● + MicroLogic 2.2 M	200	1600	LC1G150	LC1D80
110	195	130	NSX400● + MicroLogic 2.3 M	200	1600	LC1G150	LC1D80
132	230	130	NSX400● + MicroLogic 2.3 M	240	1920	LC1G150	LC1D95
160	280	130	NSX400● + MicroLogic 2.3 M	300	2400	LC1G185	LC1G115
200	350	130	NSX630● + MicroLogic 2.3 M	380	3040	LC1G225	LC1G115
220	380	130	NSX630● + MicroLogic 2.3 M	400	3200	LC1G265	LC1G150
250	430	130	NSX630● + MicroLogic 2.3 M	440	3520	LC1G265	LC1G150
300	500	130	NS800● + MicroLogic 5.0	480	4480	LC1G330	LC1G185
335	575	130	NS800● + MicroLogic 5.0	640	5120	LC1G400	LC1G225
355	610	130	NS800● + MicroLogic 5.0	640	5120	LC1G400	LC1G225
400	690	130	NS800● + MicroLogic 5.0	720	5760	LC1G500	LC1G265
450	770	130	NS1000● + MicroLogic 5.0	784	6272	LC1G500	LC1G330

⁽¹⁾ Product type to be completed by replacing the ● with the breaking performance code:

Rated conditional short-circuit (kA)	NSX250●/ NSX400●/ NSX630●					NS800●/ NS1000●
Breaking performance code	F	N	H	S	L	L
400/415 V	36	50	70	100	150	150

⁽²⁾ This setting is a general guidance, I_r and I_{rm} should be adjusted according to motor characteristics and conditions of use.

⁽³⁾ Refer to diagram page A5/43.

Coordination: Star-Delta with Thermal magnetic circuit breaker + Contactors

Contactor: **Maximum operating rate:** 30 starts/hour - **Maximum starting time:** 30 seconds.
 The coordination table is for normal starting conditions (Class 10e/ 20e). For other heavy starting applications with long start times, please contact your technical support.
RE17RMMWS timer to be used for Star-Delta starter application.

110 to 300 kW at 440 V: type 2 coordination (with TeSys GV5/GV6 circuit breakers)

Standard power ratings of 3-phase motors 50/60 Hz in category AC-3			Circuit breaker			Contactor Line (KM2) / Delta (KM3) ⁽³⁾	Contactor Star (KM1) ⁽³⁾
440 V			Product type ⁽¹⁾	Ir setting ⁽²⁾	Irm ⁽²⁾	Product type	
P	Ie	Iq (max)		A	A		
kW	A	kA					
110	177	65	GV5P220●	185	1480	LC1G115	LC1D65
132	209	65	GV5P220●	210	1680	LC1G150	LC1D80
160	255	65	GV6P320●	260	2080	LC1G185	LC1G115
200	318	65	GV6P320●	320	2560	LC1G225	LC1G115
220	343	65	GV6P500●	350	2800	LC1G225	LC1G150
250	390	65	GV6P500●	400	3200	LC1G265	LC1G150
300	466	65	GV6P500●	470	3760	LC1G330	LC1G185

⁽¹⁾ Product type to be completed by replacing the ● with the breaking performance code:

Rated conditional short-circuit (kA)	GV5P220●			GV6P320●/GV6P500●		
Breaking performance code	F	H		F	H	
440 V	35	65		30	65	

110 to 450 kW at 440 V: type 2 coordination (with ComPacT NSX/NS circuit breakers)

Standard power ratings of 3-phase motors 50/60 Hz in category AC-3			Circuit breaker			Contactor Line (KM2) / Delta (KM3) ⁽³⁾	Contactor Star (KM1) ⁽³⁾
440 V			Product type ⁽¹⁾	Ir setting ⁽²⁾	Irm ⁽²⁾	Product type	
P	Ie	Iq (max)		A	A		
kW	A	kA					
110	177	130	NSX250● + MicroLogic 2.2 M	185	1480	LC1G115	LC1D65
132	209	130	NSX250● + MicroLogic 2.2 M	210	1680	LC1G150	LC1D80
160	255	130	NSX400● + MicroLogic 2.3 M	260	2080	LC1G185	LC1G115
200	318	130	NSX400● + MicroLogic 2.3 M	320	2560	LC1G225	LC1G115
220	343	130	NSX630● + MicroLogic 2.3 M	350	2800	LC1G225	LC1G150
250	390	130	NSX630● + MicroLogic 2.3 M	400	3200	LC1G265	LC1G150
300	466	130	NSX630● + MicroLogic 2.3 M	470	3760	LC1G330	LC1G185
335	521	130	NS800● + MicroLogic 5.0	560	4480	LC1G330	LC1G185
355	554	130	NS800● + MicroLogic 5.0	560	4480	LC1G400	LC1G225
400	627	130	NS800● + MicroLogic 5.0	640	5120	LC1G400	LC1G225
450	695	130	NS800● + MicroLogic 5.0	720	5760	LC1G500	LC1G265

⁽¹⁾ Product type to be completed by replacing the ● with the breaking performance code:

Rated conditional short-circuit (kA)	NSX250●					NSX400●/ NSX630●					NS800●
Breaking performance code	F	N	H	S	L	F	N	H	S	L	L
440 V	35	50	65	100	130	30	42	65	100	130	130

⁽²⁾ This setting is a general guidance, Ir and Irm should be adjusted according to motor characteristics and conditions of use.

⁽³⁾ Refer to diagram page A5/43.

Coordination and standards

Coordination: Star-Delta with Thermal magnetic circuit breaker + Contactors

Contactor: **Maximum operating rate:** 30 starts/hour - **Maximum starting time:** 30 seconds.

The coordination table is for normal starting conditions (Class 10e/ 20e). For other heavy starting applications with long start times, please contact your technical support.

RE17RMMWS timer to be used for Star-Delta starter application.

132 to 295 kW at 500 V: type 2 coordination (with TeSys GV5/ GV6 circuit breakers)							
Standard power ratings of 3-phase motors 50/60 Hz in category AC-3			Circuit breaker			Contactor Line (KM2) / Delta (KM3) ⁽³⁾	Contactor Star (KM1) ⁽³⁾
500 V			Product type ⁽¹⁾	Ir setting ⁽²⁾	Irm ⁽²⁾	Product type	
P	Ie	Iq (max)		A	A		
kW	A	kA					
132	184	50	GV5P220●	185	1480	LC1G115	LC1D65
160	224	50	GV6P320●	240	1920	LC1G150	LC1D80
200	280	50	GV6P320●	300	2400	LC1G185	LC1G115
250	344	50	GV6P500●	350	2800	LC1G225	LC1G115
295	405	50	GV6P500●	440	3520	LC1G265	LC1G150

⁽¹⁾ Product type to be completed by replacing the ● with the breaking performance code:

Rated conditional short-circuit (kA)	GV5P220●			GV6P320●/ 500●		
Breaking performance code	F	H		F	H	
500 V	30	50		25	50	

132 to 425 kW at 500 V: type 2 coordination (with ComPact NSX/ NS circuit breakers)							
Standard power ratings of 3-phase motors 50/60 Hz in category AC-3			Circuit breaker			Contactor Line (KM2) / Delta (KM3) ⁽³⁾	Contactor Star (KM1) ⁽³⁾
500 V			Product type ⁽¹⁾	Ir setting ⁽²⁾	Irm ⁽²⁾	Product type	
P	Ie	Iq (max)		A	A		
kW	A	kA					
132	184	70	NSX250● + MicroLogic 2.2 M ⁽⁴⁾	185	1480	LC1G115	LC1D65
160	224	70	NSX400● + MicroLogic 2.3 M ⁽⁴⁾	240	1920	LC1G150	LC1D80
200	280	70	NSX400● + MicroLogic 2.3 M ⁽⁴⁾	300	2400	LC1G185	LC1G115
250	344	70	NSX630● + MicroLogic 2.3 M ⁽⁴⁾	350	2800	LC1G225	LC1G115
295	405	70	NSX630● + MicroLogic 2.3 M ⁽⁴⁾	440	3520	LC1G265	LC1G150
375	516	70	NS800● + MicroLogic 5.0	560	4480	LC1G330	LC1G185
425	584	70	NS800● + MicroLogic 5.0	640	5120	LC1G400	LC1G225

⁽¹⁾ Product type to be completed by replacing the ● with the breaking performance code:

Rated conditional short-circuit (kA)	NSX250●					NSX400●/ NSX630●					NS800●
Breaking performance code	F	N	H	S	L	F	N	H	S	L	L
500 V	30	36	50	65	70	25	30	50	65	70	100

⁽²⁾ This setting is a general guidance, Ir and Irm should be adjusted according to motor characteristics and conditions of use.

⁽³⁾ Refer to diagram page A5/43.

⁽⁴⁾ Applicable also with MicroLogic 6.2 M and 6.3 M trip units.

Coordination: Star-Delta with Magnetic circuit breaker + Contactors
+ Thermal overload relay

1.5 to 75 kW at 400/415 and 440 V: type 1 coordination

Maximum operating rate: LC3K: 12 starts/hour; LC3D: 30 starts/hour.

Maximum starting time: LC3K and LC3D: 30 seconds.

Standard power ratings of 3-phase motors 50/60 Hz in category AC-3								Circuit breaker			Star-Delta contactors	Thermal overload relay	
400/415 V				440 V				Reference	Rating	I _{rm} ⁽²⁾	Reference	Reference	Setting range
P	I _e	I _{rD} ⁽¹⁾	I _q	P	I _e	I _{rD} ⁽¹⁾	I _q		A	A			A
kW	A	A	kA	kW	A	A	kA						
–	–	–	–	1.5	3.06	1.8	50	GV2LE08	4	74	LC3K06	LR2K0308	1.8...2.6
1.5	3.6	2	50	2.2	4.42	3	50						
2.2	4.9	3	50	3	5.77	3	50	GV2LE10	6.3	91	LC3K06	LR2K0310	2.6...3.7
3	6.5	4	50	–	–	–	–	GV2LE14	10	149	LC3K06	LR2K0312	3.7...5.5
–	–	–	–	4	7.9	5	50	GV2LE10	6.3	91	LC3K06	LR2K0312	3.7...5.5
4	8.5	5	50	–	–	–	–	GV2LE14	10	149	LC3K06	LR2K0312	3.7...5.5
–	–	–	–	5.5	10.4	6	15	GV2LE14	10	149	LC3K06	LR2K0314	5.5...8
5.5	11.5	6	15	–	–	–	–	GV2LE16	14	253.4	LC3K06	LR2K0314	5.5...8
–	–	–	–	7.5	13.7	8	8	GV2LE16	14	253.4	LC3K09	LR2K0316	8...11.5
7.5	15.5	9	15	–	–	–	–	GV2LE20	18	341	LC3K09	LR2K0316	8...11.5
–	–	–	–	9	16.9	1	8	GV2LE16	14	253.4	LC3D12A	LRD16	9...13
9	18.1	10	15	–	–	–	–	GV2LE22	25	388.3	LC3K12	LR2K0316	8...11.5
–	–	–	–	11	20.1	12	8	GV2LE20	18	341	LC3K12	LR2K0321	10...14
11	22	12	15	–	–	–	–	GV2LE22	25	388.3	LC3K12	LR2K0321	10...14
–	–	–	–	15	26.5	15	6	GV2LE22	25	388.3	LC3D18A	LRD21	12...18
15	29	16	10	–	–	–	–	GV2LE32	32	537.6	LC3D18A	LRD21	12...18
18.5	35	20	50	18.5	32.8	19	50	GV3L40	40	560	LC3D18A	LRD22	16...24
22	41	24	50	22	39	23	50	GV3L50	50	700	LC3D32A	LRD32	23...32
–	–	–	–	30	51.5	30	50	GV3L65	65	910	LC3D32A	LRD32	23...32
30	55	33	50	–	–	–	–	GV3L65	65	910	LC3D32A	LRD35	30...38
–	–	–	–	37	64	37	50	GV3L65	65	910	3 x LC1D40A ⁽⁴⁾	LRD340	30...40
37	66	40	100	–	–	–	–	GV4L80	80	640	3 x LC1D40A ⁽⁴⁾	LRD350	37...50
–	–	–	–	37	64	37	70	GV4L80	80	640	3 x LC1D40A ⁽⁴⁾	LRD340	30...40
–	–	–	–	45	76	44	70	GV4L80	80	800	2 x LC1D50A +1 x LC1D40A ⁽⁴⁾	LRD350	37...50
45	80	47	100	–	–	–	–	GV4L115	115	805	2 x LC1D50A +1 x LC1D40A ⁽⁴⁾	LRD350	37...50
55	97	58	100	55	90	52	70	GV4L115	115	805	2 x LC1D50A +1 x LC1D40A ⁽⁴⁾	LRD365	48...65
–	–	–	–	75 ⁽⁵⁾	125	72	⁽³⁾	NSX160MA ⁽³⁾	150	1200	LC3D80	LRD3363	63...80
75 ⁽⁵⁾	132	78	⁽³⁾	–	–	–	–	NSX160MA ⁽³⁾	150	1200	LC3D80	LRD3363	63...80

(1) I_{rD}: current in the motor windings in delta connection.

(2) I_{rm}: setting current of the magnetic trip.

(3) Product type to be completed by replacing the ● with the breaking performance code:

Breaking performance I _q (kA)	NSX100●MA		NSX160●MA, NSX250●MA		NSX400●, NSX630●		NS800●	
400/415 V	36	70	36	70	70	150	70	150
440 V	35	65	35	65	65	130	65	130
Code	F	H	F	H	H	L	H	L

(4) For mounting 3 contactors LC1D●●A, Star-Delta starter kit LAD9SD3 must be ordered separately, see page B8/52.

(5) Please refer to Type 2 coordination tables for higher ratings.

Coordination
and
standards

Coordination: Star-Delta with Magnetic circuit breaker + Contactors
+ Thermal overload relay

1.5 to 90 kW at 400/415 and 440 V: type 2 coordination

Maximum operating rate: LC3D: 30 starts/hour.

Maximum starting time: LC3D: 30 seconds.

Standard power ratings of 3-phase motors
50/60 Hz in category AC-3

Standard power ratings of 3-phase motors 50/60 Hz in category AC-3						Circuit breaker			Star-Delta contactors	Thermal overload relay	
400/415 V			440 V			Reference	Rating	I _{rm} ⁽¹⁾	Reference	Reference	Setting range
P	I _e	I _q	P	I _e	I _q		A	A			A
kW	A	kA	kW	A	kA						
1.5	3.6	130	1.5	3.06	130	GV2L08	4	74	3 x LC1D09	LRD08	2.5...4
2.2	4.9	130	2.2	4.42	130	GV2L10	6.3	91	3 x LC1D09	LRD10	4...6
3	6.5	130	3	5.77	130						
4	8.5	130	4	7.9	20	GV2L14	10	149	3 x LC1D18	LRD14	7...10
5.5	11.5	50	5.5	10.4	20	GV2L16	14	253.4	3 x LC1D25	LRD16	9...13
7.5	15.5	50	7.5	13.7	20	GV2L20	18	341	3 x LC1D25	LRD21	12...18
-	-	-	9	16.9	20	GV2L22	25	388.3	3 x LC1D25	LRD21	12...18
9	18.1	50	-	-	-	GV2L22	25	388.3	3 x LC1D25	LRD22	16...24
11	22	50	11	20.1	20						
15	29	50	15	26.5	50	GV3L32	32	448	3 x LC1D40A ⁽²⁾	LRD332	23...32
18.5	35	50	-	-	-	GV3L40	40	560	2 x LC1D50A +1 x LC1D40A ⁽²⁾	LRD340	30...40
-	-	-	18.5	32.8	50	GV3L40	40	560	2 x LC1D65A +1 x LC1D40A ⁽²⁾	LRD340	30...40
22	41	50	-	-	-	GV3L50	50	700	2 x LC1D50A +1 x LC1D40A ⁽²⁾	LRD350	37...50
-	-	-	22	39	50	GV3L50	50	700	2 x LC1D65A +1 x LC1D40A ⁽²⁾	LRD350	37...50
30	55	50	30	51.5	50	GV3L65	65	910	2 x LC1D65A +1 x LC1D40A ⁽²⁾	LRD365	48...65
-	-	-	37	64	50	GV3L65	65	910	3 x LC1D80	LRD3359	48...65
37	66	100	-	-	-	GV4L80	80	640	3 x LC1D80	LRD3363	63...80
-	-	-	45	76	70	GV4L80	80	800	3 x LC1D80	LRD3363	63...80
45	80	100	-	-	-	GV4L115	115	805	2 x LC1D115A + LC1D40A	LRD3357 + LA7D3058	37...50
-	-	-	55	90	70	GV4L115	115	920	2 x LC1D115A + LC1D40A	LRD3359 + LA7D3058	48...65
55	97	100	-	-	-	GV4L115	115	920	2 x LC1D115A + LC1D40A	LRD3359 + LA7D3058	48...65
55	97	⁽³⁾	-	-	-	NSX160●MA ⁽³⁾	150	1200	2 x LC1D115A + LC1D40A	LRD3359 + LA7D3058	48...65
-	-	-	75	125	⁽³⁾	NSX160●MA ⁽³⁾	150	1200	2 x LC1D115A + LC1D50A	LR9G115	28...115
75	132	⁽³⁾	90	146	⁽³⁾	NSX160●MA ⁽³⁾	150	1200	2 x LC1D115A + LC1D50A	LR9G115	28...115

⁽¹⁾ I_{rm}: setting current of the magnetic trip.

⁽²⁾ For mounting 3 contactors LC1D●●A, Star-Delta starter kit LAD9SD3 must be ordered separately, see page B8/52.

⁽³⁾ Product type to be completed by replacing the ● with the breaking performance code:

Breaking performance I _q (kA)	NSX100●MA	NSX160●MA, NSX250●MA	NSX400●, NSX630●
400/415 V	36	70	70
440 V	35	65	65
Code	F	H	H

Coordination: Star-Delta with Magnetic circuit breaker + Contactors + Overload relay

Contactor: **Maximum operating rate:** 30 starts/hour - **Maximum starting time:** 30 seconds.

The coordination table is for normal starting conditions (Class 10e/ 20e). For other heavy starting applications with long start times, please contact your technical support.

RE17RMMWS timer to be used for Star-Delta starter application.

90 to 450 kW at 400/415 V: type 2 coordination (with ComPact NSX/NS circuit breakers and LR9G overload relays)

Standard power ratings of 3-phase motors 50/60 Hz in category AC-3			Circuit breaker	Contactor Line (KM2) / Delta (KM3) ⁽³⁾	Contactor Star (KM1) ⁽³⁾	Thermal overload relay		
400/415 V			Product type ⁽¹⁾	I _{rm} ⁽²⁾	Product type	Product type	I _r setting ⁽²⁾	
P	I _e	I _q (max)						
kW	A	kA	A					
90	160	130	NSX250● + MA	1980	LC1G115	LC1D65	LR9G115	92
110	195	130	NSX250● + MA	1980	LC1G150	LC1D80	LR9G225	113
110	195	130	NSX400● + MicroLogic 1.3 M	1920	LC1G150	LC1D80	LR9G225	113
132	230	130	NSX400● + MicroLogic 1.3 M	1920	LC1G150	LC1D80	LR9G225	133
160	280	130	NSX400● + MicroLogic 1.3 M	2560	LC1G185	LC1G115	LR9G225	162
200	350	130	NSX630● + MicroLogic 1.3 M	3000	LC1G225	LC1G150	LR9G225	202
220	380	130	NSX630● + MicroLogic 1.3 M	3500	LC1G265	LC1G150	LR9G500	219
250	430	130	NSX630● + MicroLogic 1.3 M	3500	LC1G265	LC1G150	LR9G500	248
300	500	130	NS800● + MicroLogic 5.0 LR OFF	4800	LC1G330	LC1G185	LR9G500	266
335	575	130	NS800● + MicroLogic 5.0 LR OFF	4800	LC1G400	LC1G225	LR9G500	332
355	610	130	NS800● + MicroLogic 5.0 LR OFF	5600	LC1G400	LC1G225	LR9G500	352
400	690	130	NS800● + MicroLogic 5.0 LR OFF	5600	LC1G500	LC1G265	LR9G500	362
450	695	130	NS800● + MicroLogic 5.0 LR OFF	6400	LC1G500	LC1G265	LR9G500	401

(1) Product type to be completed by replacing the ● with the breaking performance code:

Rated conditional short-circuit (kA)	NSX250●/ NSX400●/ NSX630●					NS800●
Breaking performance code	F	N	H	S	L	L
400/415 V	36	50	70	100	130	150

110 to 355 kW at 440 V: type 2 coordination (with ComPact NSX/NS circuit breakers and LR9G overload relays)

Standard power ratings of 3-phase motors 50/60 Hz in category AC-3			Circuit breaker	Contactor Line (KM2) / Delta (KM3) ⁽³⁾	Contactor Star (KM1) ⁽³⁾	Thermal overload relay		
440 V			Product type ⁽¹⁾	I _{rm} ⁽²⁾	Product type	Product type	I _r setting ⁽²⁾	
P	I _e	I _q (max)						
kW	A	kA	A					
110	177	130	NSX250● + MA	1980	LC1G115	LC1D65	LR9G115	102
132	209	130	NSX250● + MA	1980	LC1G150	LC1D80	LR9G225	121
160	255	130	NSX400● + MicroLogic 1.3 M	2240	LC1G185	LC1D95	LR9G225	147
200	318	130	NSX400● + MicroLogic 1.3 M	2560	LC1G225	LC1G115	LR9G225	184
220	343	130	NSX630● + MicroLogic 1.3 M	3000	LC1G225	LC1G150	LR9G225	198
250	390	130	NSX630● + MicroLogic 1.3 M	3500	LC1G265	LC1G150	LR9G500	225
300	466	130	NSX630● + MicroLogic 1.3 M	4000	LC1G330	LC1G185	LR9G500	269
335	521	130	NS800● + MicroLogic 5.0 LR OFF	4800	LC1G330	LC1G185	LR9G500	301
355	554	130	NS800● + MicroLogic 5.0 LR OFF	4800	LC1G400	LC1G225	LR9G500	320

(1) Product type to be completed by replacing the ● with the breaking performance code:

Rated conditional short-circuit (kA)	NSX250●					NSX400●/ NSX630●				NS800●
Breaking performance code	F	N	H	S	L	F	N	S	L	L
440 V	35	50	65	100	130	30	42	100	130	130

(2) This setting is a general guidance, I_r and I_{rm} should be adjusted according to motor characteristics and conditions of use.

(3) Refer to diagram page A5/43.

Coordination: Star-Delta with Magnetic circuit breaker + Contactors + Overload relay

Contactor: **Maximum operating rate:** 30 starts/hour - **Maximum starting time:** 30 seconds.

The coordination table is for normal starting conditions (Class 10e/ 20e). For other heavy starting applications with long start times, please contact your technical support.

RE17RMMWS timer to be used for Star-Delta starter application.

132 to 425 kW at 500 V: type 2 coordination (with ComPacT NSX/NS circuit breakers and LR9G overload relays)

Standard power ratings of 3-phase motors 50/60 Hz in category AC-3			Circuit breaker	Contactor Line (KM2) / Delta (KM3) ⁽³⁾	Contactor Star (KM1) ⁽³⁾	Thermal overload relay		
500 V			Product type ⁽¹⁾	I _{rm} ⁽²⁾	Product type	Product type	I _r setting ⁽²⁾	
P	I _e	I _q (max)						
kW	A	kA		A			A	
132	184	70	NSX400● + MicroLogic 1.3 M	1600	LC1G115	LC1D65	LR9G225	106
160	224	70	NSX400● + MicroLogic 1.3 M	1920	LC1G150	LC1D80	LR9G225	129
200	280	70	NSX400● + MicroLogic 1.3 M	2560	LC1G185	LC1G115	LR9G225	162
250	344	70	NSX630● + MicroLogic 1.3 M	3000	LC1G225	LC1G150	LR9G225	199
295	405	70	NSX630● + MicroLogic 1.3 M	3500	LC1G265	LC1G150	LR9G500	234
375	516	70	NS800● + MicroLogic 5.0	4800	LC1G330	LC1G185	LR9G500	298
425	584	70	NS800● + MicroLogic 5.0	4800	LC1G400	LC1G185	LR9G500	337

⁽¹⁾ Product type to be completed by replacing the ● with the breaking performance code:

Rated conditional short-circuit (kA)	NSX400●/ NSX630●					NS800●
	F	N	H	S	L	L
500 V	25	30	50	65	70	100

⁽²⁾ This setting is a general guidance, I_r and I_{rm} should be adjusted according to motor characteristics and conditions of use.

⁽³⁾ Refer to diagram page A5/43.

TeSys island motor starters
 Standard, SIL Starters - Power Interface Modules
 IEC - Type 1 or 2 coordination with fuses - 690 V

AC-3 category

690 V - Type 1 or 2 coordination with fuses			
Applications with 3-phase motors 50-60 Hz in category AC-3	aM fuses	Standard Starters SIL Starters Power Interface Modules	
690 V	Rating	References	Setting range
I_q			
kA	A		A
80	≤10	TPRST009 TPRSS009 TPRPM009	0.18-9
	≤25	TPRST025 TPRSS025 -	0.5-25
	≤40	TPRST038 TPRSS038 TPRPM038	0.76-38
	≤80	TPRST065 TPRSS065 -	3.25-65
	≤80	TPRST080 TPRSS080 TPRPM080	4-80

Coordination
and
standards

TeSys island motor starters

Standard, SIL Starters - Power Interface Modules

AC-3 category

IEC - Type 1 coordination with circuit breakers - 230 V

0.06 to 22 kW at 230 V: Type 1 coordination					
Applications power ratings of 3-phase motors 50-60 Hz in category AC-3			Circuit breaker (Trip class 5 to 15)	Standard Starters SIL Starters Power Interface Modules	
230 V			References	References	Setting range
P	I _e	I _q			
kW	A	kA			A
0.06	0.35	100	GV2L03	TPRST009 TPRSS009 TPRPM009	0.18-9
0.09	0.52	100	GV2L04	TPRST009 TPRSS009 TPRPM009	0.18-9
0.12	0.7	100	GV2L05	TPRST009 TPRSS009 TPRPM009	0.18-9
0.18	1	100	GV2L06	TPRST009 TPRSS009 TPRPM009	0.18-9
0.25	1.5	100	GV2L06	TPRST009 TPRSS009 TPRPM009	0.18-9
0.37	1.9	100	GV2L07	TPRST009 TPRSS009 TPRPM009	0.18-9
0.55	2.6	100	GV2L08	TPRST009 TPRSS009 TPRPM009	0.18-9
0.75	3.3	100	GV2L08	TPRST009 TPRSS009 TPRPM009	0.18-9
1.1	4.7	100	GV2L10	TPRST009 TPRSS009 TPRPM009	0.18-9
1.5	6.3	100	GV2L14	TPRST009 TPRSS009 TPRPM009	0.18-9
2.2	8.5	100	GV2L14	TPRST009 TPRSS009 TPRPM009	0.18-9
3	11.3	100	GV2L16	TPRST025 TPRSS025 TPRPM038	0.5-25 / 0.76-38
4	15	100	GV2L20	TPRST025 TPRSS025 TPRPM038	0.5-25 / 0.76-38
5.5	20	50	GV2L22	TPRST025 TPRSS025 TPRPM038	0.5-25 / 0.76-38
7.5	27	50	GV2L32	TPRST038 TPRSS038 TPRPM038	0.76-38
9	32	100	GV3L40	TPRST038 TPRSS038 TPRPM038	0.76-38
11	38	100	GV3L40	TPRST065 TPRSS065 TPRPM080	3.25-65 / 4-80
15	51	100	GV3L65	TPRST065 TPRSS065 TPRPM080	3.25-65 / 4-80
18.5	61	100	GV3L65	TPRST065 TPRSS065 TPRPM080	3.25-65 / 4-80
22	72	100	GV3L73	TPRPM080	4-80

Coordination and standards

0.06 to 22 kW at 230 V: Type 2 coordination					
Applications power ratings of 3-phase motors 50-60 Hz in category AC-3			Circuit breaker (Trip class 5 to 15)	Standard Starters SIL Starters	
230 V			References	References	Setting range
P	I _e	I _q			
kW	A	kA			A
0.06	0.35	100	GV2L03	TPRST009 TPRSS009	0.18-9
0.09	0.52	100	GV2L04	TPRST009 TPRSS009	0.18-9
0.12	0.7	100	GV2L05	TPRST009 TPRSS009	0.18-9
0.18	1	100	GV2L06	TPRST009 TPRSS009	0.18-9
0.25	1.5	100	GV2L06	TPRST009 TPRSS009	0.18-9
0.37	1.9	100	GV2L07	TPRST009 TPRSS009	0.18-9
0.55	2.6	100	GV2L08	TPRST009 TPRSS009	0.18-9
0.75	3.3	100	GV2L08	TPRST025 TPRSS025	0.5-25
1.1	4.7	100	GV2L10	TPRST025 TPRSS025	0.5-25
1.5	6.3	100	GV2L14	TPRST025 TPRSS025	0.5-25
2.2	8.5	100	GV2L14	TPRST025 TPRSS025	0.5-25
3	11.3	100	GV2L16	TPRST025 TPRSS025	0.5-25
4	15	100	GV2L20	TPRST025 TPRSS025	0.5-25
5.5	20	50	GV2L22	TPRST025 TPRSS025	0.5-25
7.5	27	50	GV2L32	TPRST038 TPRSS038	0.76-38
9	32	100	GV3L40	TPRST038 TPRSS038	0.76-38
11	38	100	GV3L40	TPRST065 TPRSS065	3.25-65
15	51	100	GV3L65	TPRST065 TPRSS065	3.25-65
18.5	61	100	GV3L65	TPRST065 TPRSS065	3.25-65

Coordination and standards

TeSys island motor starters

Standard, SIL Starters - Power Interface Modules

AC-3 category

IEC - Type 1 coordination with circuit breakers - 400/415 - 440 - 500 V

0.06 to 37 kW at 400/415 - 440 - 500 V: Type 1 coordination											
Applications power ratings of 3-phase motors 50-60 Hz in category AC-3									Circuit breaker (Trip class 5 to 15)	Standard Starters SIL Starters Power Interface Modules	
400/415 V			440 V			500 V				References	References
P	I _e	I _q	P	I _e	I _q	P	I _e	I _q			A
kW	A	kA	kW	A	kA	kW	A	kA			
0.06	0.2	100	0.06	0.18	100	-	-	-	GV2L03	TPRST009 TPRSS009 TPRPM009	0.18-9
0.09	0.3	100	0.09	0.27	100	-	-	-			
0.12	0.44	100	0.12	0.4	100	-	-	-	GV2L04	TPRST009 TPRSS009 TPRPM009	0.18-9
0.18	0.6	100	0.18	0.55	100	-	-	-			
0.25	0.85	100	0.25	0.77	100	-	-	-	GV2L05	TPRST009 TPRSS009 TPRPM009	0.18-9
0.37	1.1	100	-	-	-	0.37	0.88	100			
-	-	-	0.37	1	100	-	-	-	GV2L06	TPRST009 TPRSS009 TPRPM009	0.18-9
0.55	1.5	100	0.55	1.4	100	0.55	1.2	100			
-	-	-	-	-	-	0.75	1.5	100	GV2L07	TPRST009 TPRSS009 TPRPM009	0.18-9
0.75	1.9	100	0.75	1.7	100	-	-	-			
1.1	2.7	100	-	-	-	1.1	2.2	100			
-	-	-	1.1	2.4	100	-	-	-	GV2L08	TPRST009 TPRSS009 TPRPM009	0.18-9
1.5	3.6	100	1.5	3.3	100	1.5	2.9	100			
2.2	4.9	100	2.2	4.5	100	2.2	3.9	100	GV2L10	TPRST009 TPRSS009 TPRPM009	0.18-9
-	-	-	3	5.9	100	3	5.2	100			
3	6.5	100	-	-	-	-	-	-	GV2L14	TPRST009 TPRSS009 TPRPM009	0.18-9
4	8.5	100	4	7.7	20	4	6.8	10			
-	-	-	-	-	-	5.5	9.2	10			
5.5	11.5	50	5.5	10.5	20	-	-	-	GV2L16	TPRST025 TPRSS025 TPRPM038	0.5-25 / 0.76-38
-	-	-	-	-	-	7.5	12.4	10			
7.5	15.5	50	7.5	14.1	20	-	-	-	GV2L20	TPRST025 TPRSS025 TPRPM038	0.5-25 / 0.76-38
-	-	-	9	16.5	20	9	13.9	10			
9	18.1	50	-	-	-	-	-	-	GV2L22	TPRST025 TPRSS025 TPRPM038	0.5-25 / 0.76-38
11	22	50	11	20	20	11	17.6	10			
-	-	-	-	-	-	15	23	10			
15	29	50	15	26.4	20	-	-	-	GV2L32	TPRST038 TPRSS038 TPRPM038	0.76-38
-	-	-	-	-	-	18.5	28	10			
18.5	35	50	18.5	31.8	50	-	-	-	GV3L40	TPRST065 TPRSS065 TPRPM080	3.25-65 / 4-80
-	-	-	-	-	-	22	33	12			
22	41	50	22	37.3	50	-	-	-	GV3L50	TPRST065 TPRSS065 TPRPM080	3.25-65 / 4-80
-	-	-	-	-	-	30	44	12			
30	55	50	30	50	50	-	-	-	GV3L65	TPRST065 TPRSS065 TPRPM080	3.25-65 / 4-80
-	-	-	37	60	50	37	53	12			
37	66	50	-	-	-	-	-	-	GV3L73	TPRST065 TPRSS065 TPRPM080	3.25-65 / 4-80

Coordination
and
standards

TeSys island motor starters

Standard, SIL Starters - Power Interface Modules

AC-3 category

IEC - Type 1 coordination with circuit breakers - 400/415 - 440 - 500 V

0.06 to 18.5 kW at 400/415 - 440 - 500 V: Type 1 coordination											
Applications power ratings of 3-phase motors 50-60 Hz in category AC-3									Circuit breaker (Trip class 5 to 15)	Standard Starters SIL Starters Power Interface Modules ⁽¹⁾	
400/415 V			440 V			500 V			References	References	Setting range
P	le	Iq	P	le	Iq	P	le	Iq			
kW	A	kA	kW	A	kA	kW	A	kA		A	
0.06	0.2	50	0.06	0.18	50	-	-	-	GV2LE03	TPRST009 TPRSS009 TPRPM009 + LC1D09	0.18-9
0.09	0.3	50	0.09	0.27	50	-	-	-			
0.12	0.44	50	0.12	0.4	50	-	-	-	GV2LE04	TPRST009 TPRSS009 TPRPM009 + LC1D09	0.18-9
0.18	0.6	50	0.18	0.55	50	-	-	-			
0.25	0.85	50	0.25	0.77	50	-	-	-	GV2LE05	TPRST009 TPRSS009 TPRPM009 + LC1D09	0.18-9
0.37	1.1	-	-	-	-	0.37	0.88	50			
-	-	50	0.37	1	50	-	-	-	GV2LE06	TPRST009 TPRSS009 TPRPM009 + LC1D09	0.18-9
0.55	1.5	50	0.55	1.4	50	0.55	1.2	50			
-	-	-	-	-	-	0.75	1.5	50	GV2LE07	TPRST009 TPRSS009 TPRPM009 + LC1D09	0.18-9
0.75	1.9	50	0.75	1.7	50	-	-	-			
1.1	2.7	50	-	-	-	1.1	2.2	50			
-	-	-	-	-	-	2.2	3.9	50	GV2LE08	TPRST009 TPRSS009 TPRPM009 + LC1D09	0.18-9
1.5	3.6	50	1.5	3.3	50	1.5	2.9	50			
2.2	4.9	50	2.2	4.4	50	-	-	-	GV2LE10	TPRST009 TPRSS009 TPRPM009 + LC1D09	0.18-9
-	-	-	3	5.8	50	3	5.2	50			
3	6.5	50	-	-	-	-	-	-	GV2LE14	TPRST009 TPRSS009 TPRPM009 + LC1D09	0.18-9
4	8.5	50	4	7.9	15	4	6.8	10			
5.5	11.5	15	5.5	10.4	8	-	-	-	GV2LE16	TPRST025 TPRSS025 TPRPM038 + LC1D38	0.5-25 / 0.76-38
-	-	-	-	-	-	7.5	12.4	6			
7.5	15.5	15	-	-	-	-	-	-	GV2LE20	TPRST025 TPRSS025 TPRPM038 + LC1D38	0.5-25 / 0.76-38
-	-	-	9	16.9	8	-	-	-			
9	18.1	15	-	-	-	-	-	-	GV2LE22	TPRST025 TPRSS025 TPRPM038 + LC1D38	0.5-25 / 0.76-38
11	22	15	11	20	6	11	17.6	4			
-	-	-	-	-	-	15	23	4			
15	29	10	15	26.4	6	-	-	-	GV2L32	TPRST038 TPRSS038 TPRPM038 + LC1D38	0.76-38
-	-	-	-	-	-	18.5	28	4			

(1) For coordination with PIM modules, use the associated TeSys Deca contactor as shown in the chart above.

Coordination and standards

0.06 to 37 kW at 400/415 - 440 - 500 V: Type 2 coordination											
Applications power ratings of 3-phase motors 50-60 Hz in category AC-3									Circuit breaker (Trip class 5 to 15) References	Standard Starters SIL Starters	
400/415 V			440 V			500 V				References	Setting range
P	I _e	I _q	P	I _e	I _q	P	I _e	I _q			
kW	A	kA	kW	A	kA	kW	A	kA		A	
0.06	0.2	100	0.06	0.18	100	-	-	-	GV2L03	TPRST009 TPRSS009	0.18-9
0.09	0.3	100	0.09	0.27	100	-	-	-			
0.12	0.44	100	0.12	0.4	100	-	-	-	GV2L04	TPRST009 TPRSS009	0.18-9
0.18	0.6	100	0.18	0.55	100	-	-	-			
0.25	0.85	100	0.25	0.77	100	-	-	-	GV2L05	TPRST009 TPRSS009	0.18-9
0.37	1.1	100	-	-	-	0.37	0.88	100			
-	-	-	0.37	1	100	-	-	-	GV2L06	TPRST009 TPRSS009	0.18-9
0.55	1.5	100	0.55	1.4	100	0.55	1.2	100			
-	-	-	-	-	-	0.75	1.5	100	GV2L07	TPRST009 TPRSS009	0.18-9
0.75	1.9	100	0.75	1.7	100	-	-	-			
						1.1	2.2	100			
1.1	2.7	100	-	-	-	-	-	-	GV2L07	TPRST025 TPRSS025	0.5-25
-	-	-	1.1	2.4	100	-	-	-	GV2L08	TPRST009 TPRSS009	0.18-9
-	-	-	-	-	-	1.5	2.9	100			
1.5	3.6	100	1.5	3.3	100	-	-	-	GV2L08	TPRST025 TPRSS025	0.5-25
2.2	4.9	100	2.2	4.5	100	2.2	3.9	100	GV2L10	TPRST025 TPRSS025	0.5-25
-	-	-	3	5.9	100	3	5.2	100			
3	6.5	100	-	-	-	-	-	-	GV2L14	TPRST025 TPRSS025	0.5-25
4	8.5	100	4	7.7	20	4	6.8	10			
-	-	-	-	-	-	5.5	9.2	10			
5.5	11.5	50	5.5	10.5	20	-	-	-	GV2L16	TPRST025 TPRSS025	0.5-25
-	-	-	-	-	-	7.5	12.4	10			
7.5	15.5	50	7.5	14.1	20	-	-	-	GV2L20	TPRST025 TPRSS025	0.5-25
-	-	-	9	16.5	20	9	13.9	10			
9	18.1	50	-	-	-	-	-	-	GV2L22	TPRST025 TPRSS025	0.5-25
11	22	50	11	20	20	11	17.6	10			
-	-	-	-	-	-	15	23	10			
15	29	50	15	26.4	20	-	-	-	GV2L32	TPRST038 TPRSS038	0.76-38
-	-	-	-	-	-	18.5	28	10			
18.5	35	50	18.5	31.8	50	-	-	-	GV3L40	TPRST065 TPRSS065	3.25-65
-	-	-	-	-	-	22	33	12			
22	41	50	22	37.3	50	-	-	-	GV3L50	TPRST065 TPRSS065	3.25-65
-	-	-	-	-	-	30	44	12			
30	55	50	30	50	50	-	-	-	GV3L65	TPRST065 TPRSS065	3.25-65
-	-	-	37	60	50	37	53	12			
37	66	50	-	-	-	-	-	-	GV3L73	TPRST065 TPRSS065	3.25-65

IEC - Type 2 coordination with circuit breakers - 400/415 - 440 - 500 V

0.06 to 37 kW at 400/415 - 440 - 500 V: Type 2 coordination											
Applications power ratings of 3-phase motors 50-60 Hz in category AC-3									Circuit breaker (Trip class 5 to 15)	Power Interface Modules ⁽¹⁾	
400/415 V			440 V			500 V			References	References	Setting range
P	I _e	I _q	P	I _e	I _q	P	I _e	I _q			
kW	A	kA	kW	A	kA	kW	A	kA		A	
0.06	0.2	50	0.06	0.18	50	-	-	-	GV2L03	TPRPM009 + LC1D09	0.18-9
0.09	0.3	50	0.09	0.27	50	-	-	-			
0.12	0.44	50	0.12	0.4	50	-	-	-	GV2L04	TPRPM009 + LC1D09	0.18-9
0.18	0.6	50	0.18	0.55	50	-	-	-			
0.25	0.85	50	0.25	0.77	50	-	-	-	GV2L05	TPRPM009 + LC1D09	0.18-9
0.37	1.1	50	-	-	-	0.37	0.88	50			
-	-	-	0.37	1	50	-	-	-	GV2L06	TPRPM009 + LC1D09	0.18-9
0.55	1.5	50	0.55	1.4	50	0.55	1.2	50			
-	-	-	-	-	-	0.75	1.5	50	GV2L07	TPRPM009 + LC1D09	0.18-9
0.75	1.9	50	0.75	1.7	50	-	-	-			
						1.1	2.2	50			
1.1	2.7	50	-	-	-	-	-	-	GV2L07	TPRPM038 + LC1D38	0.5-25
-	-	-	1.1	2.4	50	-	-	-	GV2L08	TPRPM009 + LC1D09	0.18-9
-	-	-	-	-	-	1.5	2.9	50			
1.5	3.6	50	1.5	3.3	50	-	-	-	GV2L08	TPRPM038 + LC1D38	0.5-25
2.2	4.9	50	2.2	4.5	50	2.2	3.9	50	GV2L10	TPRPM038 + LC1D38	0.5-25
-	-	-	3	5.9	50	3	5.2	50			
3	6.5	50	-	-	-	-	-	-	GV2L14	TPRPM038 + LC1D38	0.5-25
4	8.5	50	4	7.7	20	4	6.8	10			
-	-	-	-	-	-	5.5	9.2	10			
5.5	11.5	50	5.5	10.5	20	-	-	-	GV2L16	TPRPM038 + LC1D38	0.5-25
-	-	-	-	-	-	7.5	12.4	10			
7.5	15.5	50	7.5	14.1	20	-	-	-	GV2L20	TPRPM038 + LC1D38	0.5-25
-	-	-	9	16.5	20	9	13.9	10			
9	18.1	50	-	-	-	-	-	-	GV2L22	TPRPM038 + LC1D38	0.5-25
11	22	50	11	20	20	11	17.6	10			
-	-	-	-	-	-	15	23	10			
15	29	50	15	26.4	20	-	-	-	GV2L32	TPRPM038 + LC1D38	0.76-38
-	-	-	-	-	-	18.5	28	10			
18.5	35	50	18.5	31.8	50	-	-	-	GV3L40	TPRPM080 + LC1D65	3.25-65
-	-	-	-	-	-	22	33	12			
22	41	50	22	37.3	50	-	-	-	GV3L50	TPRPM080 + LC1D65	3.25-65
-	-	-	-	-	-	30	44	12			
30	55	50	30	50	50	-	-	-	GV3L65	TPRPM080 + LC1D65	3.25-65
-	-	-	37	60	50	37	53	12			
37	66	50	-	-	-	-	-	-	GV3L73	TPRPM080 + LC1D65	3.25-65

(1) For coordination with PIM modules, use the associated TeSys Deca contactor as shown in the chart above.

IEC - Type 2 coordination with circuit breakers - 400/415 - 440 - 500 V

0.06 to 5.5 kW at 400/415 - 440 - 500 V: Type 2 coordination											
Applications power ratings of 3-phase motors 50-60 Hz in category AC-3									Circuit breaker (Trip class 5 to 15)	Standard Starters SIL Starters	
400/415 V			440 V			500 V			References	References	Setting range
P	I _e	I _q	P	I _e	I _q	P	I _e	I _q			
kW	A	kA	kW	A	kA	kW	A	kA		A	
0.06	0.2	100	0.06	0.18	100	-	-	-	GV2LE03	TPRST009 TPRSS009	0.18-9
0.09	0.3	100	0.09	0.27	100	-	-	-			
0.12	0.44	100	0.12	0.4	100	-	-	-	GV2LE04	TPRST009 TPRSS009	0.18-9
0.18	0.6	100	0.18	0.55	100	-	-	-			
0.25	0.85	100	0.25	0.77	100	-	-	-	GV2LE05	TPRST009 TPRSS009	0.18-9
0.37	1.1	100	-	-	-	0.37	0.88	100			
-	-	-	0.37	1	100	-	-	-	GV2LE06	TPRST009 TPRSS009	0.18-9
0.55	1.5	100	0.55	1.4	100	0.55	1.2	100			
-	-	-	-	-	-	0.75	1.5	100	GV2LE07	TPRST009 TPRSS009	0.18-9
0.75	1.9	100	0.75	1.7	100	-	-	-			
						1.1	2.2	100			
1.1	2.7	100	-	-	-	-	-	-	GV2L07	TPRST025 TPRSS025	0.5-25
-	-	-	1.1	2.4	100	-	-	-	GV2LE08	TPRST009 TPRSS009	0.18-9
-	-	-	-	-	-	1.5	2.9	100			
1.5	3.6	100	1.5	3.3	100	-	-	-	GV2LE08	TPRST025 TPRSS025	0.5-25
2.2	4.9	100	2.2	4.5	100	2.2	3.9	100	GV2LE10	TPRST025 TPRSS025	0.5-25
-	-	-	3	5.9	100	3	5.2	100			
3	6.5	100	-	-	-	-	-	-	GV2LE14	TPRST025 TPRSS025	0.5-25
4	8.5	100	4	7.7	20	4	6.8	10			
-	-	-	-	-	-	5.5	9.2	10			

Coordination
and
standards

TeSys island motor starters

Power Interface Modules

IEC - Type 2 coordination with circuit breakers - 400/415 - 440 - 500 V

0.06 to 5.5 kW at 400/415 - 440 - 500 V: Type 2 coordination											
Applications power ratings of 3-phase motors 50-60 Hz in category AC-3									Circuit breaker (Trip class 5 to 15)	Power Interface Modules ⁽¹⁾	
400/415 V			440 V			500 V			References	References	Setting range
P	I _e	I _q	P	I _e	I _q	P	I _e	I _q			
kW	A	kA	kW	A	kA	kW	A	kA			A
0.06	0.2	50	0.06	0.18	50	-	-	-	GV2LE03	TPRPM009 + LC1D09	0.18-9
0.09	0.3	50	0.09	0.27	50	-	-	-			
0.12	0.44	50	0.12	0.4	50	-	-	-	GV2LE04	TPRPM009 + LC1D09	0.18-9
0.18	0.6	50	0.18	0.55	50	-	-	-			
0.25	0.85	50	0.25	0.77	50	-	-	-	GV2LE05	TPRPM009 + LC1D09	0.18-9
0.37	1.1	50	-	-	-	0.37	0.88	50			
-	-	-	0.37	1	50	-	-	-	GV2LE06	TPRPM009 + LC1D09	0.18-9
0.55	1.5	50	0.55	1.4	50	0.55	1.2	50			
-	-	-	-	-	-	0.75	1.5	50	GV2LE07	TPRPM009 + LC1D09	0.18-9
0.75	1.9	50	0.75	1.7	50	-	-	-			
						1.1	2.2	50			
1.1	2.7	50	-	-	-	-	-	-	GV2L07	TPRPM038 + LC1D38	0.5-25
-	-	-	1.1	2.4	50	-	-	-	GV2LE08	TPRPM009 + LC1D09	0.18-9
-	-	-	-	-	-	1.5	2.9	50			
1.5	3.6	50	1.5	3.3	50	-	-	-	GV2LE08	TPRPM038 + LC1D38	0.5-25
2.2	4.9	50	2.2	4.5	50	2.2	3.9	50	GV2LE10	TPRPM038 + LC1D38	0.5-25
-	-	-	3	5.9	50	3	5.2	50			
3	6.5	50	-	-	-	-	-	-	GV2LE14	TPRPM038 + LC1D38	0.5-25
4	8.5	50	4	7.7	20	4	6.8	10			
-	-	-	-	-	-	5.5	9.2	10			

(1) For coordination with PIM modules, use the associated TeSys Deca contactor as shown in the chart above.

Coordination and standards

TeSys island motor starters

Standard, SIL Starters - Power Interface Modules

AC-3 category

IEC - Type 1 coordination with circuit breakers - 690 V

0.06 to 37 kW at 690 V: Type 1 coordination					
Applications power ratings of 3-phase motors 50-60 Hz in category AC-3			Circuit breaker (Trip class 5 to 15)	Standard Starters SIL Starters Power Interface Modules	
690 V			References	References	Setting range
P	I _e	I _q			
kW	A	kA			A
0.37	0.64	100	GV2L05	TPRST009 TPRSS009 TPRPM009	0.18-9
0.55	0.87	4	GV2L05	TPRST009 TPRSS009 TPRPM009	0.18-9
0.75	1.1	4	GV2L06	TPRST009 TPRSS009 TPRPM009	0.18-9
1.1	1.6	4	GV2L07	TPRST009 TPRSS009 TPRPM009	0.18-9
1.5	2.1	4	GV2L07	TPRST009 TPRSS009 TPRPM009	0.18-9
2.2	2.8	4	GV2L08	TPRST009 TPRSS009 TPRPM009	0.18-9
3	3.8	4	GV2L08	TPRST009 TPRSS009 TPRPM009	0.18-9
4	4.9	4	GV2L10	TPRST009 TPRSS009 TPRPM009	0.18-9
5.5	6.7	4	GV2L14	TPRST009 TPRSS009 TPRPM009	0.18-9
7.5	8.9	4	GV2L14	TPRST025 TPRSS025 TPRPM038	0.5-25 / 0.76-38
9	10.5	4	GV2L16	TPRST025 TPRSS025 TPRPM038	0.5-25 / 0.76-38
11	12.8	4	GV2L16	TPRST025 TPRSS025 TPRPM038	0.5-25 / 0.76-38
15	17	4	GV2L20	TPRST025 TPRSS025 TPRPM038	0.5-25 / 0.76-38
18.5	21	4	GV2L22	TPRST038 TPRSS038 TPRPM038	0.76-38
22	24	4	GV2L22	TPRST065 TPRSS065 TPRPM080	3.25-65 / 4-80
30	32	6	GV3L40	TPRST065 TPRSS065 TPRPM080	3.25-65 / 4-80
37	39	6	GV3L50	TPRST065 TPRSS065 TPRPM080	3.25-65 / 4-80

Coordination and standards

0.06 to 37 kW at 690 V: Type 2 coordination					
Applications power ratings of 3-phase motors 50-60 Hz in category AC-3			Circuit breaker (Trip class 5 to 15)	Standard Starters SIL Starters	
690 V			References	References	Setting range
P	I _e	I _q			
kW	A	kA			A
0.37	0.64	100	GV2L05	TPRST009 TPRSS009	0.18-9
0.55	0.87	4	GV2L05	TPRST009 TPRSS009	0.18-9
0.75	1.1	4	GV2L06	TPRST009 TPRSS009	0.18-9
1.1	1.6	4	GV2L07	TPRST009 TPRSS009	0.18-9
1.1	1.6	50	GV2L07 + LA9LB920	TPRST025 TPRSS025	0.5-25
1.5	2.1	4	GV2L07	TPRST009 TPRSS009	0.18-9
1.5	2.1	50	GV2L07 + LA9LB920	TPRST025 TPRSS025	0.5-25
2.2	2.8	4	GV2L08	TPRST025 TPRSS025	0.5-25
2.2	2.8	50	GV2L08 + LA9LB920	TPRST025 TPRSS025	0.5-25
3	3.8	4	GV2L08	TPRST025 TPRSS025	0.5-25
3	3.8	50	GV2L08 + LA9LB920	TPRST025 TPRSS025	0.5-25
4	4.9	4	GV2L10	TPRST025 TPRSS025	0.5-25
4	4.9	50	GV2L10 + LA9LB920	TPRST025 TPRSS025	0.5-25
5.5	6.7	4	GV2L14	TPRST025 TPRSS025	0.5-25
5.5	6.7	50	GV2L14 + LA9LB920	TPRST025 TPRSS025	0.5-25
7.5	8.9	4	GV2L14	TPRST025 TPRSS025	0.5-25
7.5	8.9	50	GV2L14 + LA9LB920	TPRST025 TPRSS025	0.5-25
9	10.5	4	GV2L16	TPRST025 TPRSS025	0.5-25
11	12.8	4	GV2L16	TPRST025 TPRSS025	0.5-25
11	12.8	3	GV2L16 + LA9LB920	TPRST038 TPRSS038	0.76-38
15	17	4	GV2L20	TPRST025 TPRSS025	0.5-25
15	17	3	GV2L22 + LA9LB920	TPRST038 TPRSS038	0.76-38
18.5	21	4	GV2L22	TPRST038 TPRSS038	0.76-38
18.5	21	3	GV3L25 + LA9LB920	TPRST065 TPRSS065	3.25-65
22	24	4	GV2L22	TPRST065 TPRSS065	3.25-65
22	24	3	GV2L32 + LA9LB920	TPRST065 TPRSS065	3.25-65
30	32	6	GV3L40	TPRST065 TPRSS065	3.25-65
37	39	6	GV3L50	TPRST065 TPRSS065	3.25-65

TeSys island motor starters

Standard, SIL Starters - Power Interface Modules

UL - SCCR Ratings

Short Circuit Current Ratings (SCCR)								Standard Starters SIL Starters Power Interface Modules	
UL File E39281 and File E48539 Suitable for use on a circuit delivering not more than:									
High SCCR						Standard SCCR		References	Setting range
Max Voltage 600 V Class J Fuse ⁽¹⁾		Max Voltage 480 V Circuit Breaker		Max Voltage 600 V Circuit Breaker		Max Voltage 600 V Circuit Breaker or Fuse			
SCCR	Maximum Amperage	SCCR	Maximum Amperage	SCCR	Maximum Amperage	SCCR	Maximum Amperage		
kA	A	kA	A	kA	A	kA	A		A
100	25	85	35	50	35	5	35	TPRST009 TPRSS009 TPRPM009	0.18-9
100	60	85	60	50	60	5	100	TPRST025 TPRSS025	0.5-25
100	100	85	60	50	60	5	125	TPRST038 TPRSS038 TPRPM038	0.76-38
100	125	85	110	50	110	5	250	TPRST065 TPRSS065	3.25-65
100	125	85	110	50	110	5	250	TPRST080 TPRSS080 TPRPM080	4-80

⁽¹⁾ When protected by any Class J or CC time-delay fuse (Class CC applicable up to 30 A only).

Group Motor Rating					Standard Starters SIL Starters	
Suitable for group installation on a circuit delivering not more than:						
Max voltage 600 V - Class J Fuse ⁽¹⁾		Max voltage 480 V - Circuit Breaker			References	Setting range
SCCR	Maximum Amperage	SCCR	Maximum Amperage			
kA	A	kA	A			A
5	90	5	90		TPRST009 TPRSS009	0.18-9
5	175	5	175		TPRST025 TPRSS025	0.5-25
5	175	5	175		TPRST038 TPRSS038	0.76-38
5	600	5	600		TPRST065 TPRSS065	3.25-65
5	600	5	600		TPRST080 TPRSS080	4-80

⁽¹⁾ When protected by any Class J or CC time-delay fuse.

Group Motor Short Circuit Ratings ⁽²⁾				References
Circuit Protection (When installed on load side of MMC ⁽³⁾)				
V	kA			
480	50	GV2P14 or GV2P14 + GV1G09		TPRST009 TPRSS009
600	30			
480	50	GV2P22 or GV2P22 + GV1G09		TPRST025 TPRSS025
600 ⁽⁴⁾	18			
480Y/277	50	GV3P40		TPRST038 TPRSS038
600Y/347	25			
480Y/277	50	GV3P65 ⁽⁵⁾		TPRST065 TPRSS065
600Y/347	25			

⁽²⁾ When protected by upstream Fuse or Circuit breaker. Maximum rating allowed by NEC installation requirements.

⁽³⁾ May utilize listed miniature busbar models GV1G09, GV2G followed by 2, 3, 4, or 5, followed by 45, 54, 72, GV3G264 or GV3G364.

⁽⁴⁾ Maximum 600 A Circuit Breaker.

⁽⁵⁾ 960 in³ (15731 cm³) Minimum enclosure volume.

TeSys island motor starters

Standard, SIL Starters - Power Interface Modules

UL - SCCR Ratings

UL/CSA Lighting Ratings (A) ⁽¹⁾		
Ballast	Tungsten	
480Y/277 V	600 V	References
A	A	
15	15	TPRST009 TPRSS009
30	30	TPRST025 TPRSS025
40	40	TPRST038 TPRSS038

⁽¹⁾ Above are max ratings when thermal overload protection is disabled. If not disabled, I_e is limited to maximum thermal trip setting.

TeSys Control

Contactors - Definitions and comments

General - Coordination and standards

Contactor utilisation categories conforming to IEC 60947-1

The standard utilisation categories define the current values which the contactor must be able to make to break.

These values depend on:

- The type of load being switched: squirrel cage or slip ring motor, resistors,
- The conditions under which making or breaking takes place: motor stalled, starting or running, reversing, plugging.

The electrical durability announced in the next pages has been tested according to IEC 60947-4-1 standard by CNAS certified laboratory.

a.c. applications

Category AC-1	This category applies to all types of a.c. load with a power factor equal to or greater than 0.95 ($\cos \varphi \geq 0.95$). Application examples: heating, distribution.
Category AC-2	This category applies to starting, plugging and inching of slip ring motors. <ul style="list-style-type: none"> ■ On closing, the contactor makes the starting current, which is about 2.5 times the rated current of the motor. ■ On opening, it must break the starting current, at a voltage less than or equal to the mains supply voltage.
Category AC-3	This category applies to squirrel cage motors with breaking during normal running of the motor. <ul style="list-style-type: none"> ■ On closing, the contactor makes the starting current, which is about 5 to 7.5 times the rated current of the motor, following history. ■ On opening, it breaks the rated current drawn by the motor. Application examples: all standard squirrel cage motors: lifts, escalators, conveyor belts, bucket elevators, compressors, pumps, mixers, air conditioning units, etc...
Category AC-3e	This category applies to high-efficiency IE3/ IE4 squirrel cage motors with breaking during normal running of the motor. <ul style="list-style-type: none"> ■ On closing, the contactor makes the starting current, which is about 5 to 9 times the rated current of the motor. ■ On opening, it breaks the rated current drawn by the motor. Application examples: all high-efficiency IE3/IE4 with NE and HE squirrel cage motors typically used for elevators and escalators, machine tools, conveyor belts, compressors, pumps, mixers, air conditioning units, etc.
Category AC-4	This category covers applications with plugging and inching of squirrel cage and slip ring motors. The contactor closes at a current peak which may be as high as 5 or 7 times the rated motor current. On opening it breaks this same current at a voltage which is higher, the lower the motor speed. This voltage can be the same as the mains voltage. Breaking is severe. Application examples: printing machines, wire drawing machines, cranes and hoists, metallurgy industry.

Coordination and standards

d.c. applications

Category DC-1	This category applies to all types of d.c. load with a time constant (L/R) of less than or equal to 1 ms.
Category DC-3	This category applies to starting, counter-current braking and inching of shunt motors. Time constant ≤ 2 ms. <ul style="list-style-type: none"> ■ On closing, the contactor makes the starting current, which is about 2.5 times the rated motor current. ■ On opening, the contactor must be able to break 2.5 times the starting current at a voltage which is less than or equal to the mains voltage. The slower the motor speed, and therefore the lower its back e.m.f., the higher this voltage. Breaking is difficult.
Category DC-5	This category applies to starting, counter-current braking and inching of series wound motors. Time constant ≤ 7.5 ms. On closing, the contactor makes a starting current peak which may be as high as 2.5 times the rated motor current. On opening, the contactor breaks this same current at a voltage which is higher, the lower the motor speed. This voltage can be the same as the mains voltage. Breaking is severe.

Utilisation categories for auxiliary contacts & control relays conforming to IEC 60947-1

a.c. applications

Category AC-14⁽¹⁾	This category applies to the switching of electromagnetic loads whose power drawn with the electromagnet closed is less than 72 VA. Application example: switching the operating coil of contactors and relays.
Category AC-15⁽¹⁾	This category applies to the switching of electromagnetic loads whose power drawn with the electromagnet closed is more than 72 VA. Application example: switching the operating coil of contactors.

d.c. applications

Category DC-13⁽²⁾	This category applies to the switching of electromagnetic loads for which the time taken to reach 95 % of the steady state current ($T = 0.95$) is equal to 6 times the power P drawn by the load (with $P \leq 50$ W). Application example: switching the operating coil of contactors without economy resistor.
-------------------------------------	--

(1) Replaces category AC-11.
(2) Replaces category DC-11.

TeSys Control

Contactors - Definitions and comments

General - Coordination and standards

Definitions

Altitude	<p>The rarefied atmosphere at high altitude reduces the dielectric strength of the air and hence the rated operational voltage of the contactor. It also reduces the cooling effect of the air and hence the rated operational current of the contactor (unless the temperature drops at the same time).</p> <p>No derating is necessary up to 3000 m.</p> <p>Derating factors to be applied above this altitude for main pole operational voltage and current (a.c. supply) are as follows.</p> <table border="1"> <thead> <tr> <th>Altitude</th> <th>3500 m</th> <th>4000 m</th> <th>4500 m</th> <th>5000 m</th> </tr> </thead> <tbody> <tr> <td>Rated operational voltage</td> <td>0.90</td> <td>0.80</td> <td>0.70</td> <td>0.60</td> </tr> <tr> <td>Rated operational current</td> <td>0.92</td> <td>0.90</td> <td>0.88</td> <td>0.86</td> </tr> </tbody> </table>	Altitude	3500 m	4000 m	4500 m	5000 m	Rated operational voltage	0.90	0.80	0.70	0.60	Rated operational current	0.92	0.90	0.88	0.86
Altitude	3500 m	4000 m	4500 m	5000 m												
Rated operational voltage	0.90	0.80	0.70	0.60												
Rated operational current	0.92	0.90	0.88	0.86												
Ambient air temperature	<p>The temperature of the air surrounding the device, measured near to the device.</p> <p>The operating characteristics are given:</p> <ul style="list-style-type: none"> - with no restriction for temperatures between -5 and +55 °C, - with restrictions, if necessary, for temperatures between -50 and +70 °C. 															
Rated operational current (Ie)	This is defined taking into account the rated operational voltage, operating rate and duty, utilisation category and ambient temperature around the device.															
Rated conventional thermal current (Ith) ⁽¹⁾	The current which a closed contactor can sustain for a minimum of 8 hours without its temperature rise exceeding the limits given in the standards.															
Permissible short time rating	The current which a closed contactor can sustain for a short time after a period of no load, without dangerous overheating.															
Rated operational voltage (Ue)	This is the voltage value which, in conjunction with the rated operational current, determines the use of the contactor or starter, and on which the corresponding tests and the utilisation category are based. For 3-phase circuits it is expressed as the voltage between phases. Apart from exceptional cases such as rotor short-circuiting, the rated operational voltage Ue is less than or equal to the rated insulation voltage Ui.															
Rated control circuit voltage (Uc)	The rated value of the control circuit voltage, on which the operating characteristics are based. For a.c. applications, the values are given for a near sinusoidal wave form (less than 5 % total harmonic distortion).															
Rated insulation voltage (Ui)	This is the voltage value used to define the insulation characteristics of a device and referred to in dielectric tests determining leakage paths and creepage distances. As the specifications are not identical for all standards, the rated value given for each of them is not necessarily the same.															
Rated impulse withstand voltage (Uimp)	The peak value of a voltage surge which the device is able to withstand without breaking down.															
Rated operational power (expressed in kW)	The rated power of the standard motor which can be switched by the contactor, at the stated operational voltage.															

⁽¹⁾ Conventional thermal current, in free air, conforming to IEC standards.

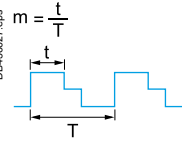
Note: these definitions are extracted from standard IEC 60947-1.

TeSys Control

Contactors - Definitions and comments

General - Coordination and standards

Definitions

Rated breaking capacity ⁽¹⁾	This is the current value which the contactor can break in accordance with the breaking conditions specified in the IEC standard.
Rated making capacity ⁽¹⁾	This is the current value which the contactor can make in accordance with the making conditions specified in the IEC standard.
On-load factor (m)	<div style="display: flex; align-items: center;"> <div style="flex: 1;">  </div> <div style="flex: 2;"> <p>This is the ratio between the time the current flows (t) and the duration of the cycle (T). Cycle duration: duration of current flow + time at zero current.</p> </div> </div>
Pole impedance	<p>The impedance of one pole is the sum of the impedance of all the circuit components between the input terminal and the output terminal.</p> <p>The impedance comprises a resistive component (R) and an inductive component ($X = L\omega$).</p> <p>The total impedance therefore depends on the frequency and is normally given for 50 Hz.</p> <p>This average value is given for the pole at its rated operational current.</p>
Electrical durability	This is the average number of on-load operating cycles which the main pole contacts can perform without maintenance. The electrical durability depends on the utilisation category, the rated operational current and the rated operational voltage.
Mechanical durability	This is the average number of no-load operating cycles (i.e. with zero current flow through the main poles) which the contactor can perform without mechanical failure.

⁽¹⁾ For a.c. applications, the breaking and making capacities are expressed by the rms value of the symmetrical component of the short-circuit current. Taking into account the maximum asymmetry which may exist in the circuit, the contacts therefore have to withstand a peak asymmetrical current which may be twice the rms symmetrical component.

Note: these definitions are extracted from standard IEC 60947-1.

TeSys Control

Contactors for utilisation category AC-3 or AC-3e

Selection - Coordination and standards

Coordination and standards

Operational current and power conforming to IEC ($\theta \leq 60^\circ\text{C}$) - AC-3

Contactor size			LC1/ LP1 K06	LC1/ LP1 K09	LC1 K12	LC1 K16	LC1 D09	LC1 D12	LC1 D18	LC1 D25	LC1 D32	LC1 D38	LC1 D40A
Maximum operational current in AC-3	$\leq 440\text{ V}$	A	6	9	12	16	9	12	18	25	32	38	40
Rated operational power P (standard motor power ratings)	220/240 V ⁽¹⁾	kW	1.5	2.2	3	3	2.2	3	4	5.5	7.5	9	11
	380/400 V ⁽²⁾	kW	2.2	4	5.5	7.5	4	5.5	7.5	11	15	18.5	18.5
	415 V	kW	2.2	4	5.5	7.5	4	5.5	9	11	15	18.5	22
	440 V	kW	3	4	5.5	7.5	4	5.5	9	11	15	18.5	22
	500 V	kW	–	–	–	–	5.5	7.5	10	15	18.5	18.5	22
	660/690 V ⁽³⁾	kW	3	4	4	4	5.5	7.5	10	15	18.5	18.5	30
1000 V	kW	–	–	–	–	–	–	–	–	–	–	–	

Operational current and power conforming to IEC ($\theta \leq 60^\circ\text{C}$) - AC-3e

Contactor size			LC1/ LP1 K06	LC1/ LP1 K09	LC1 K12	LC1 K16	LC1 D09	LC1 D12	LC1 D18	LC1 D25	LC1 D32	LC1 D38	LC1 D40A
Maximum operational current in AC-3e	$\leq 440\text{ V}$	A	6	9	12	16	9	12	18	25	32	38	40
Rated operational power P (standard motor power ratings)	220/240 V ⁽¹⁾	kW	1.5	2.2	3	3	2.2	3	4	5.5	7.5	9	11
	380/400 V ⁽²⁾	kW	2.2	4	5.5	7.5	4	5.5	7.5	11	15	18.5	18.5
	415 V	kW	2.2	4	5.5	7.5	4	5.5	9	11	15	18.5	22
	440 V	kW	3	4	5.5	7.5	4	5.5	9	11	15	18.5	22
	500 V	kW	–	–	–	–	5.5	7.5	10	15	18.5	18.5	22
	660/690 V ⁽³⁾	kW	3	4	4	4	5.5	7.5	10	15	18.5	18.5	30
1000 V	kW	–	–	–	–	–	–	–	–	–	–	–	

Maximum operating rate in operating cycles/hour ⁽⁴⁾

On-load factor	Operational power					LC1 D09	LC1 D12	LC1 D18	LC1 D25	LC1 D32	LC1 D38	LC1 D40A
$\leq 85\%$	P	–	–	–	–	1200	1200	1200	1200	1000	1000	1000
	0.5 P	–	–	–	–	3000	3000	2500	2500	2500	2500	2500
$\leq 25\%$	P	–	–	–	–	1800	1800	1800	1800	1200	1200	1200

Operational current and power conforming to UL, CSA ($\theta \leq 60^\circ\text{C}$)

Contactor size			LC1/ LP1 K06	LC1/ LP1 K09	LC1/ LP1 K12	LC1 D09	LC1 D12	LC1 D18	LC1 D25	LC1 D32	LC1 D38	LC1 D40A
Maximum operational current in AC-3	$\leq 440\text{ V}$	A	6	9	12	9	12	18	25	32	–	40
Rated operational power P (standard motor power ratings 60 Hz)	200/208 V	HP	1.5	2	3	2	3	5	7.5	10	–	10
	230/240 V	HP	1.5	3	3	2	3	5	7.5	10	–	10
	460/480 V	HP	3	5	7.5	5	7.5	10	15	20	–	30
	575/600 V	HP	3	5	10	7.5	10	15	20	25	–	30

⁽¹⁾ 230 V for LC1G115 to LC1G800 contactors.

⁽²⁾ 400 V for LC1G115 to LC1G800 contactors.

⁽³⁾ 690 V for LC1K/LP1K and LC1G115 to LC1G800 contactors.

⁽⁴⁾ Depending on the operational power and the on-load factor ($\theta \leq 60^\circ\text{C}$).

TeSys Control

Contactors for utilisation category AC-3 or AC-3e

Selection - Coordination and standards

LC1 D50A	LC1 D65A	LC1 D80A	LC1 D80	LC1 D95	LC1 D115A	LC1 D150A	LC1 G115	LC1 G150	LC1 G185	LC1 G225	LC1 G265	LC1 G330	LC1 G400	LC1 G500	LC1 G630	LC1 G800	LC1 F1000
50	65	66	80	95	115	150	115	150	185	225	265	330	400	500	630	800	1000
15	18.5	22	22	25	30	40	30	37	55	55	75	90	110	160	200	250	315
22	30	37	37	45	55	75	55	75	90	110	132	160	200	250	335	450	560
25	37	37	45	45	59	80	55	75	90	110	132	160	200	250	375	450	630
30	37	37	45	45	59	80	75	90	110	132	160	200	250	315	400	450	670
30	37	37	55	55	75	90	75	90	110	132	160	200	250	355	400	500	–
33	37	37	45	45	80	100	75	90	110	160	200	220	315	355	500	560	–
–	–	–	45	45	65	75	75	75	75	132	160	185	220	335	450	450	–

LC1 D50A	LC1 D65A	LC1 D80A	LC1 D80	LC1 D95	LC1 D115A	LC1 D150A	LC1 G115	LC1 G150	LC1 G185	LC1 G225	LC1 G265	LC1 G330	LC1 G400	LC1 G500 ⁽⁵⁾	LC1 G630 ⁽⁵⁾	LC1 G800 ⁽⁵⁾
50	65	66	80	95	115	150	115	145	177	209	255	294	391	437	555	587
15	18.5	22	22	25	30	40	30	37	55	55	75	90	110	147	180	200
22	30	37	37	45	55	75	55	75	90	110	132	160	200	250	315	335
25	37	37	45	45	59	80	55	75	90	110	132	160	200	250	335	355
30	37	37	45	45	59	80	75	90	110	132	160	185	250	280	355	375
30	37	37	55	55	75	90	75	90	110	132	160	200	250	315	375	425
33	37	37	45	45	80	100	75	90	110	160	200	220	315	355	500	560
–	–	–	45	45	65	75	–	75	75	132	160	185	220	335	450	450

LC1 D50A	LC1 D65A	LC1 D80A	LC1 D80	LC1 D95	LC1 D115A	LC1 D150A	LC1 G115	LC1 G150	LC1 G185	LC1 G225	LC1 G265	LC1 G330	LC1 G400	LC1 G500	LC1 G630	LC1 G800	LC1 F1000
1000	1000	1000	750	750	750	750	600	600	600	600	600	600	600	600	600	500	500
2500	2500	2500	2000	2000	2000	1200	1200	1200	900	900	900	900	900	900	900	600	600
1200	1200	1200	1200	1200	1200	1200	900	900	600	600	600	600	600	600	600	500	500

LC1 D50A	LC1 D65A	LC1 D80A	LC1 D80	LC1 D95	LC1 D115A	LC1 D150A	LC1 G115	LC1 G150	LC1 G185	LC1 G225	LC1 G265	LC1 G330	LC1 G400	LC1 G500	LC1 G630	LC1 G800	LC1 F1000
50	65	65	80	95	115	150	115	150	185	225	265	330	400	500	630	800	1000
15	20	20	30	30	30	40	30	40	50	60	75	100	125	150	250	300	350
15	20	20	30	30	40	50	40	50	60	75	100	125	150	200	300	350	400
40	40	40	60	60	75	100	75	100	125	150	200	250	300	400	600	700	900
40	50	50	60	60	100	125	100	125	150	150	200	300	400	450	700	800	–

(5) A derating coefficient should be applied for the 4-pole contactors. Please consult your Local Technical Support.

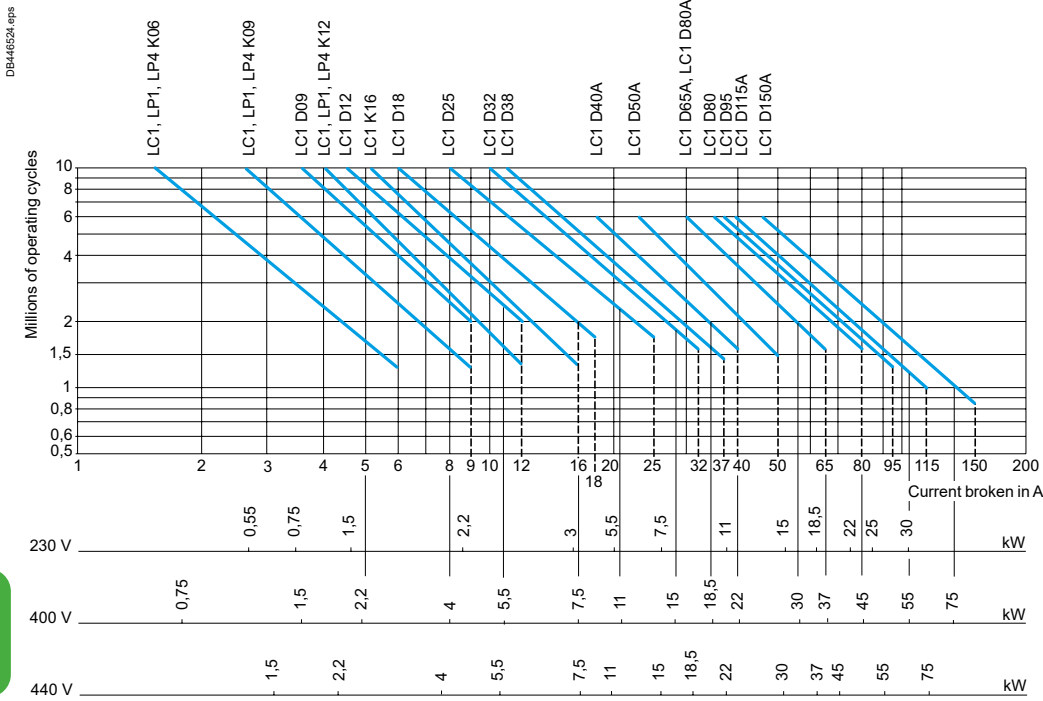
TeSys Control

Contactors for utilisation category AC-3, AC-3e

Selection - Coordination and standards

Selection according to required electrical durability, in category AC-3, AC-3e ($U_e \leq 440\text{ V}$)

Control of 3-phase asynchronous squirrel cage motors with breaking whilst running.
 The current broken (I_c) in category AC-3 is equal to the rated operational current (I_e) of the motor.



Coordination and standards

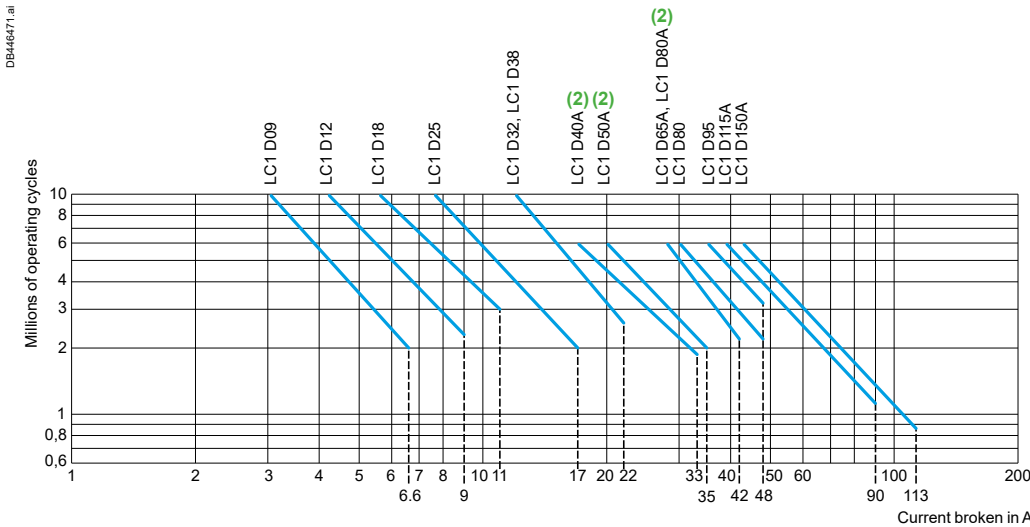
Operational power in kW-50 Hz.

Example:

Asynchronous motor with $P = 5.5\text{ kW}$ - $U_e = 400\text{ V}$ - $I_e = 11\text{ A}$ - $I_c = I_e = 11\text{ A}$
 or asynchronous motor with $P = 5.5\text{ kW}$ - $U_e = 415\text{ V}$ - $I_e = 11\text{ A}$ - $I_c = I_e = 11\text{ A}$
 3 million operating cycles required.
 The above selection curves show the contactor rating needed: LC1D18.

Selection according to required electrical durability, in category AC-3, AC-3e ($U_e = 660/690\text{ V}$)⁽¹⁾

Control of 3-phase asynchronous squirrel cage motors with breaking whilst running.
 The current broken (I_c) in category AC-3 is equal to the rated operational current (I_e) of the motor.



(1) For $U_e = 1000\text{ V}$, use the 660/690 V curves, but do not exceed the operational current at the operational power indicated for 1000 V in the table pages A5/110 & A5/111.
 (2) For Deca Advanced Contactors, please contact your Local Schneider Electric Technical Support for values.

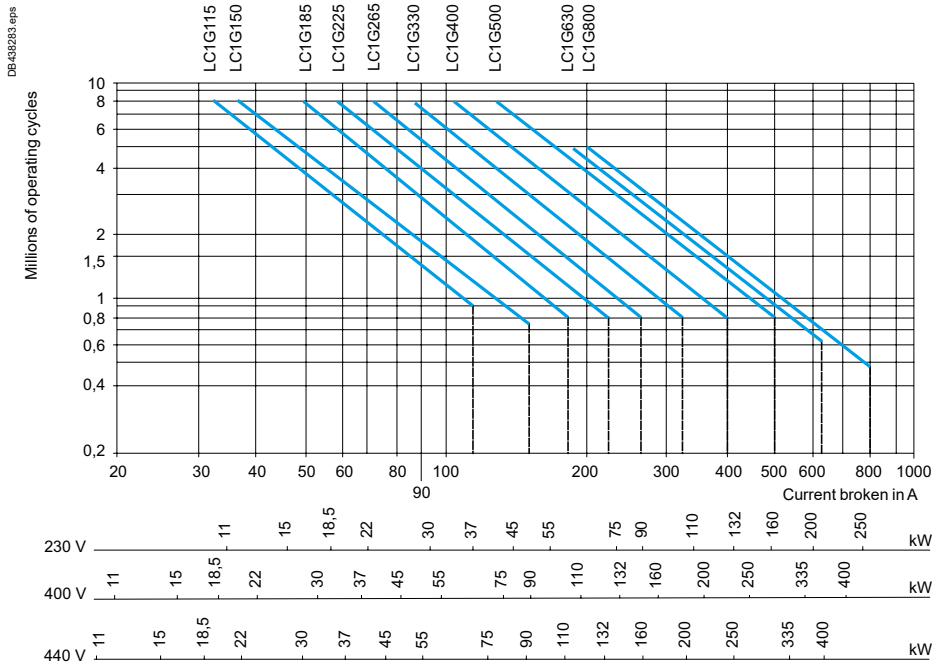
TeSys Control

Contactors for utilisation category AC-3

Selection - Coordination and standards

Selection according to required electrical durability, in category AC-3 ($U_e \leq 440\text{ V}$)

Control of 3-phase asynchronous squirrel cage motors with breaking whilst running. The current broken (I_c) in category AC-3 is equal to the rated operational current (I_e) of the motor.



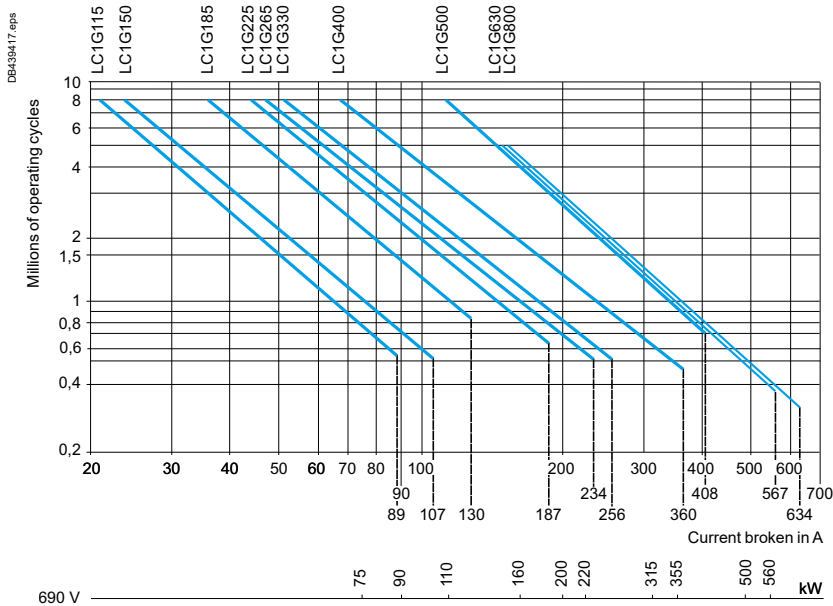
Operational power in kW-50 Hz.

Example:

Asynchronous motor with $P = 132\text{ kW}$ - $U_e = 400\text{ V}$ - $I_e = 230\text{ A}$ - $I_c = I_e = 230\text{ A}$
 1.8 million operating cycles required.
 The above selection curves show the contactor rating needed: LC1G400.

Selection according to required electrical durability, in category AC-3 ($U_e = 660/690\text{ V}$)

Control of 3-phase asynchronous squirrel cage motors with breaking whilst running.
 The current broken (I_c) in category AC-3 is equal to the rated operational current (I_e) of the motor.



Example:

Asynchronous motor with $P = 200\text{ kW}$ - $U_e = 690\text{ V}$ - $I_e = 203\text{ A}$ - $I_c = I_e = 203\text{ A}$
 1 million operating cycles required.
 The above selection curves show the contactor rating needed: LC1G400.

Coordination and standards

TeSys Control

Contactors for utilisation category AC-1

Selection - Coordination and standards

Maximum operational current (open-mounted device)

Contactor size		LC1/LP1 K09	LC1/LP1 K12	LC1 D09	LC1 DT20	LC1 D12 DT25	LC1 D18 DT32	LC1 D25 DT40	LC1 D32	LC1 D38	LC1 D40A DT60A	LC1 D50A	LC1 D65A D80A DT80A	LC1/LP1 D80	
Maximum operating rate in operating cycles/hour		600	600	600	600	600	600	600	600	600	600	600	600	600	
Connection conforming to IEC 60947-1	Cable c.s.a. mm ²	4	4	4	4	4	6	6	10	10	35	35	35	50	
	Bar c.s.a. mm	-	-	-	-	-	-	-	-	-	-	-	-	-	
Operational current in AC-1 in A, according to the ambient temperature conforming to IEC 60947-1	≤ 40 °C	A	20	20	25	20	25	32	40	50	50	60	80	80	125
	≤ 60 °C	A ⁽⁵⁾	20	20	25	20	25	32	40	50	50	60	80	80	125
	≤ 70 °C	A ⁽⁵⁾	(1)	(1)	17	(1)	17	22	28	35	35	42	56	56	80
Maximum operational power ≤ 60 °C	220/230 V	kW	8	8	9	8	9	11	14	18	18	21	29	29	45
	240 V	kW	8	8	9	8	9	12	15	19	19	23	31	31	49
	380/400 V	kW	14	14	15	14	15	20	25	31	31	37	50	50	78
	415 V	kW	14	14	17	14	17	21	27	34	34	41	54	54	85
	440 V	kW	15	15	18	15	18	23	29	36	36	43	58	58	90
	500 V	kW	17	17	20	17	20	23	33	41	41	49	65	65	102
	660/690 V	kW	22	22	27	22	27	34	43	54	54	65	80	80	135
	1000 V	kW	-	-	-	-	-	-	-	-	-	-	-	-	120

(1) Please consult your Regional Sales Office.

(2) With set of right-angled connectors LA9F2100.

(3) With set of right-angled connectors LA9F2600.

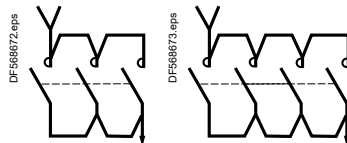
(4) With set of right-angled connectors LA9F3200.

(5) LC1F1000 to LC1F3200, LC1G115 to LC1G800: the maximum control voltage must not exceed rated U_c for a temperature θ , 60 °C ≤ θ ≤ 70 °C.

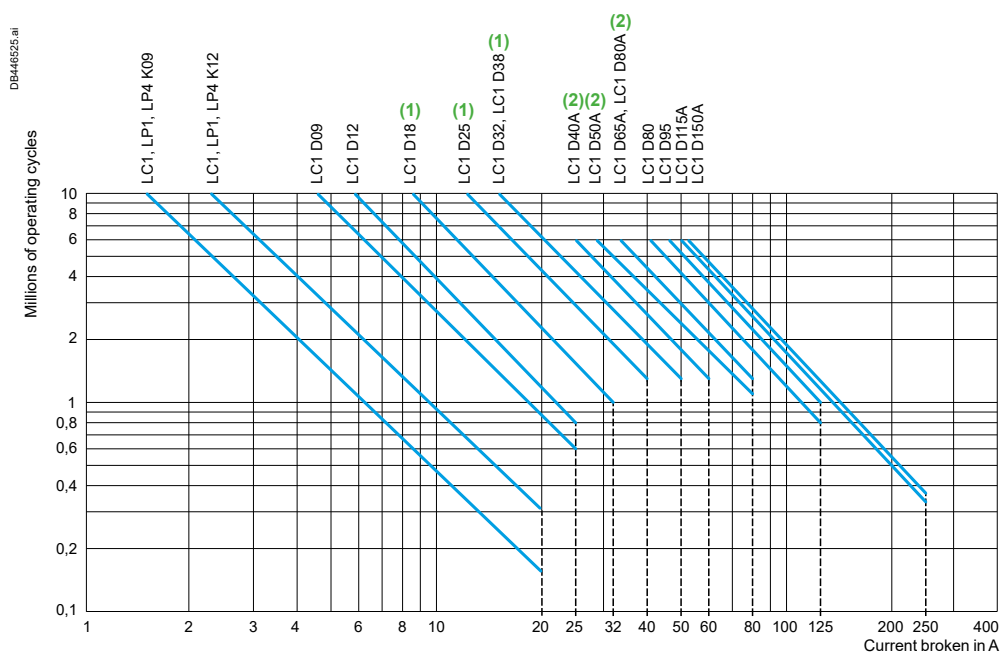
Increase in operational current by parallel connection of poles

Apply the following coefficients to the currents or power values given above; these coefficients take into account an often unbalanced current distribution between the poles:

- 2 poles in parallel: K = 1.6
- 3 poles in parallel: K = 2.25
- 4 poles in parallel: K = 2.8



Selection according to required electrical durability, in category AC-1 (U_e ≤ 690 V)



(1) For Deca Advanced, please consult online data sheets for values.

(2) For Deca Advanced or DC coil, please consult online data sheets for values.

Control of resistive circuits ($\cos \phi \geq 0.95$).

The current broken (I_c) in category AC-1 is equal to the current (I_e) normally drawn by the load.

Example:

■ U_e = 220 V - I_e = 50 A $\theta \leq 40$ °C - I_c = I_e = 50 A

■ 2 million operating cycles required

■ the above selection curves show the contactor rating needed: LC1D50A.

TeSys Control

Contactors for utilisation category AC-1

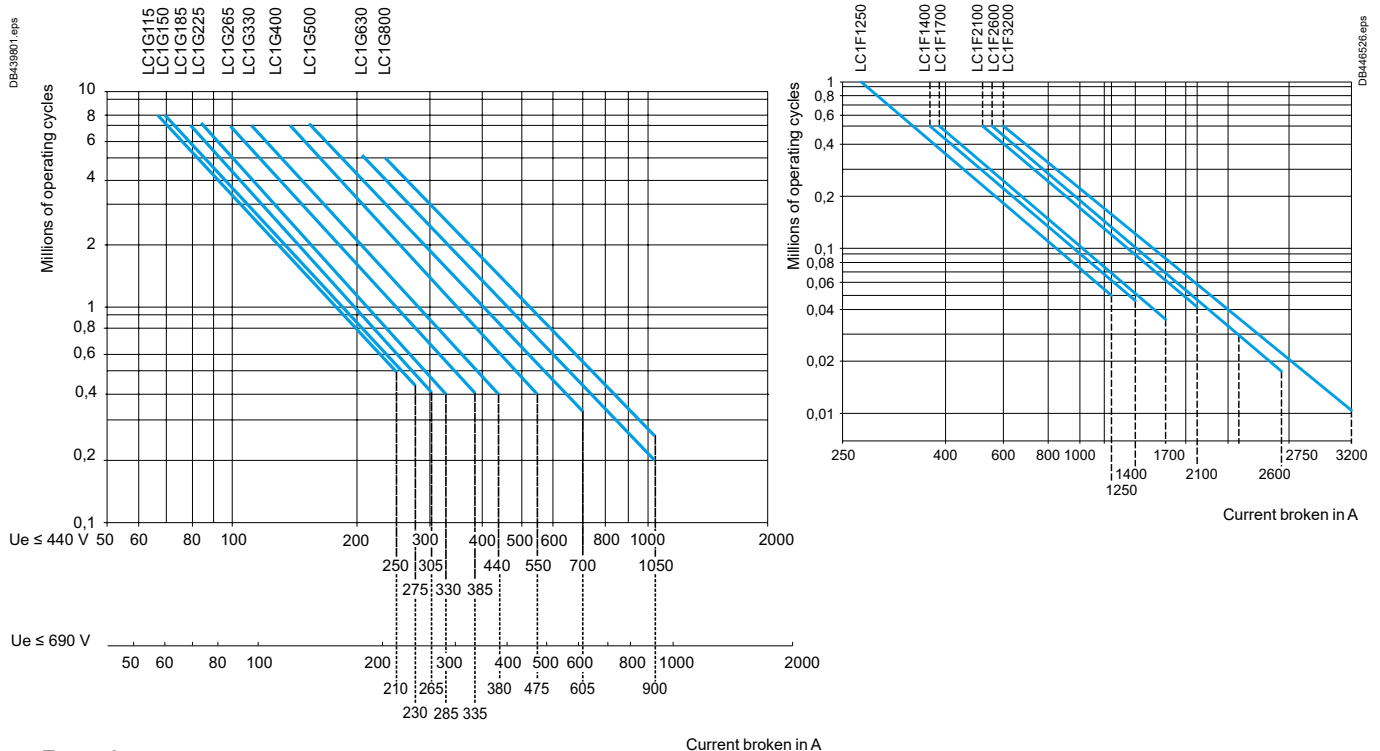
Selection - Coordination and standards

LC1 D95	LC1 D115A	LC1 D150A	LC1 G115	LC1 G150	LC1 G185	LC1 G225	LC1 G265	LC1 G330	LC1 G400	LC1 G500	LC1 G630	LC1 G800	LC1 F1000	LC1 F1250	LC1 F1400	LC1 F1700	LC1 F2100	LC1 F2600	LC1 F3200
600	600	600	300	300	300	300	300	300	300	300	300	300	600	300	200	200	200	200	200
50	120	120	185	185	185	185	240	2x150	2x185	2x240	-	-	-	-	-	-	-	-	-
-	-	-	2 25x6	2 25x6	2 25x6	2 25x6	2 30x10	2 30x10	2 30x10	2 30x10	2 50x10	2 50x10	3 100x5	2 100x5	2 100x5	3 100x5	4 100x5	3 100x10	3 100x10
125	200	200	250	275	305	330	385	440	550	700	1050	1050	1250	1260	1400	1700	2100 ⁽²⁾	2600	3200
125	200	200	225	250	275	300	350	400	500	600	800	800	⁽¹⁾	1060	1190	1450	1750 ⁽²⁾	2600 ⁽³⁾	3200 ⁽⁴⁾
80	160	160	210	235	255	280	330	380	470	540	640	640	⁽¹⁾	900	1080	1300	1500 ⁽²⁾	2150 ⁽³⁾	2650 ⁽⁴⁾
45	80	80	90	100	110	120	140	160	200	240	320	320	⁽¹⁾	420	474	570	700	840	1050
49	83	83	90	100	110	120	150	170	210	250	330	330	⁽¹⁾	440	490	600	780	920	1120
78	135	135	160	170	190	210	240	280	350	420	550	550	⁽¹⁾	730	820	1000	1200	1450	1800
85	140	140	160	180	200	220	250	290	360	430	580	580	⁽¹⁾	760	850	1050	1300	1580	1950
90	150	150	170	190	210	230	270	300	380	460	610	610	⁽¹⁾	810	910	1100	1350	1680	2000
102	170	170	190	220	240	260	300	350	430	520	690	690	-	920	1000	1250	1550	1910	2300
135	235	235	270	300	330	360	420	480	600	720	960	960	-	1260	1400	1700	2100	2520	3200
120	345	345	390	430	480	520	610	690	870	1040	1390	1390	-	-	2100	2500	3100 ⁽²⁾	3820	4600

- (1) Please consult your Regional Sales Office.
- (2) With set of right-angled connectors LA9F2100.
- (3) With set of right-angled connectors LA9F2600.
- (4) With set of right-angled connectors LA9F3200.
- (5) LC1F1000 to LC1F3200, LC1G115 to LC1G800: the maximum control voltage must not exceed rated U_c for a temperature θ , $60^\circ\text{C} \leq \theta \leq 70^\circ\text{C}$.

Coordination and standards

Selection according to required electrical durability, in category AC-1 ($U_e \leq 690\text{ V}$, $\theta \leq 40^\circ\text{C}$)



- Example:**
- $U_e = 440\text{ V}$ - $I_e = 500\text{ A}$ - $\theta \leq 40^\circ\text{C}$ - $I_c = I_e = 500\text{ A}$
 - 0.8 million operating cycles required
 - the above selection curves show the contactor rating needed: LC1G630.

Maximum breaking current

Category AC-2: slip ring motors - breaking the starting current.

Category AC-4: squirrel cage motors - breaking the starting current.

Contactor size			LC1/ LP1 K06	LC1/ LP1 K09	LC1/ LP1 K12	LC1 D09	LC1 D12	LC1 D18	LC1 D25	LC1 D32	LC1 D38	LC1 D40A
In category AC-4 (le max)	Ue ≤ 440 V le max broken = 6 x I motor	A	36	54	54	54	72	108	150	192	192	240
	440 V < Ue ≤ 690 V le max broken = 6 x I motor	A	26	40	40	40	50	70	90	105	105	150

Depending on the maximum operating rate ⁽¹⁾ and the on-load factor, $\theta \leq 60^\circ\text{C}$ ⁽²⁾

From 150 and 15 % to 300 and 10 %	A	20	30	30	30	40	45	75	80	80	110
From 150 and 20 % to 600 and 10 %	A	18	27	27	27	36	40	67	70	70	96
From 150 and 30 % to 1200 and 10 %	A	16	24	24	24	30	35	56	60	60	80
From 150 and 55 % to 2400 and 10 %	A	13	19	19	19	24	30	45	50	50	62
From 150 and 85 % to 3600 and 10 %	A	10	16	16	16	21	25	40	45	45	53

Contactor size			LC1 G115	LC1 G150	LC1 G185	LC1 G225	LC1 G265	LC1 G330	LC1 G400	LC1 G500	LC1 G630	LC1 G800
In category AC-4 (le max)	Ue ≤ 440 V le max broken = 6 x I motor	A	690	900	1110	1350	1590	1980	2400	3000	3780	4050
	440 V < Ue ≤ 690 V le max broken = 6 x I motor	A	530	640	780	1120	1400	1530	2160	2450	3400	3800

Depending on the maximum operating rate ⁽¹⁾ and the on-load factor, $\theta \leq 60^\circ\text{C}$ ⁽²⁾

Duty Cycle [Cycle/h]	Load Factor [%]		LC1 G115	LC1 G150	LC1 G185	LC1 G225	LC1 G265	LC1 G330	LC1 G400	LC1 G500	LC1 G630	LC1 G800
150	15	A	319	400	478	562	641	758	869	1001	1124	1204
300	10	A	250	314	375	441	502	593	679	779	870	923
150	20	A	304	383	457	538	613	726	834	962	1083	1165
600	10	A	183	230	275	324	369	437	502	579	653	703
150	30	A	280	352	421	495	565	668	766	883	993	1065
1200 ⁽³⁾	10	A	131	164	196	230	262	309	353	404	449	473
150	55	A	239	300	358	421	480	568	652	750	842	902
2400 ⁽³⁾	10	A	120	151	181	212	242	287	329	379	426	457
150	85	A	208	261	312	368	420	498	572	661	748	809
3600 ⁽³⁾	10	A	120	151	181	212	242	287	329	379	426	457

⁽¹⁾ Do not exceed the maximum number of operating cycles.

⁽²⁾ For temperatures higher than 60 °C, use a maximum operating rate value equal to 80 % of the actual value when selecting from the tables.

⁽³⁾ Control Module can operate with higher duty cycle during limited time followed by proposed cooling time.

Operating cycles/hour	Cool time
1200	10 min
2400	30 min
3600	60 min

Counter current braking (plugging)

The current varies from the maximum plug-braking current to the rated motor current.

The making current must be compatible with the rated making and breaking capacities of the contactor.

As breaking normally takes place at a current value at or near the locked rotor current, the contactor can be selected using the criteria for categories AC-2 and AC-4.

Permissible AC-4 power rating for 200 000 operating cycles

Operational voltage		LC●/ LP● K06	LC●/ LP● K09	LC●/ LP● K12	LC● D09	LC● D12	LC● D18	LC● D25	LC● D32	LC● D38	LC● D40A
220/230 V ⁽⁴⁾	kW	0.75	1.1	1.1	1.5	1.5	2.2	3	4	4	4
380/400 V ⁽⁵⁾	kW	1.5	2.2	2.2	2.2	3.7	4	5.5	7.5	7.5	9
415 V	kW	1.5	2.2	2.2	2.2	3	3.7	5.5	7.5	7.5	9
440 V	kW	1.5	2.2	2.2	2.2	3	3.7	5.5	7.5	7.5	11
500 V	kW	2.2	3	3	3	4	5.5	7.5	9	9	11
660/690 V ⁽⁶⁾	kW	3	4	4	4	5.5	7.5	10	11	11	15

⁽⁴⁾ 230 V for LC1G115 to LC1G800 contactors.

⁽⁵⁾ 400 V for LC1G115 to LC1G800 contactors.

⁽⁶⁾ 690 V for LC1G115 to LC1G800 contactors.

TeSys Control

Contactors for utilisation categories AC-2 or AC-4

Selection - Coordination and standards

LC1 D50A	LC1 D65A	LC1 D80A	LC1 D80	LC1 D95	LC1 D115A	LC1 D150A
300	390	390	480	570	630	830
170	210	210	250	250	540	640
140	160	160	200	200	280	310
120	148	148	170	170	250	280
100	132	132	145	145	215	240
80	110	110	120	120	150	170
70	90	90	100	100	125	145

Coordination
and
standards

LC● D50A	LC● D65A	LC1 D80A	LC● D80	LC● D95	LC1 D115A	LC1 D150A	LC1 G115	LC1 G150	LC1 G185	LC1 G225	LC1 G265	LC1 G330	LC1 G400	LC1 G500	LC1 G630	LC1 G800
5.5	7.5	7.5	7.5	9	9	11	11	11	15	18.5	22	22	30	37	37	37
11	11	11	15	15	18.5	22	22	22	30	30	37	45	55	55	55	75
11	11	11	15	15	18.5	22	22	22	30	30	37	45	55	55	55	75
11	15	15	15	15	18.5	22	22	22	30	37	45	55	55	55	75	75
15	15	15	22	22	30	37	11	11	18.5	22	22	30	45	45	55	55
15	18.5	18.5	25	25	30	45	18.5	22	22	30	37	45	55	55	75	90

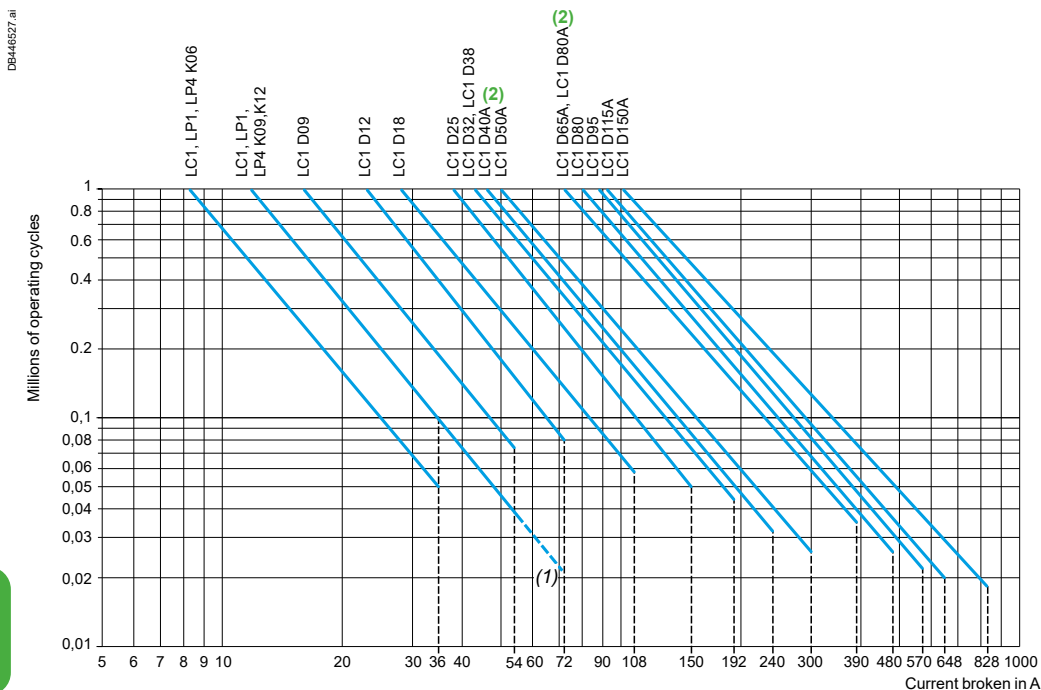
TeSys Control

Contactors for utilisation categories AC-2 or AC-4

Selection - Coordination and standards

Selection according to required electrical durability, in categories AC-2 or AC-4 ($U_e \leq 440\text{ V}$)

Control of 3-phase asynchronous squirrel cage motors (AC-4) or slip ring motors (AC-2) with breaking whilst motor stalled.
 The current broken (I_c) in AC-2 is equal to $2.5 \times I_e$.
 The current broken (I_c) in AC-4 is equal to $6 \times I_e$ (I_e = rated operational current of the motor).



Example:

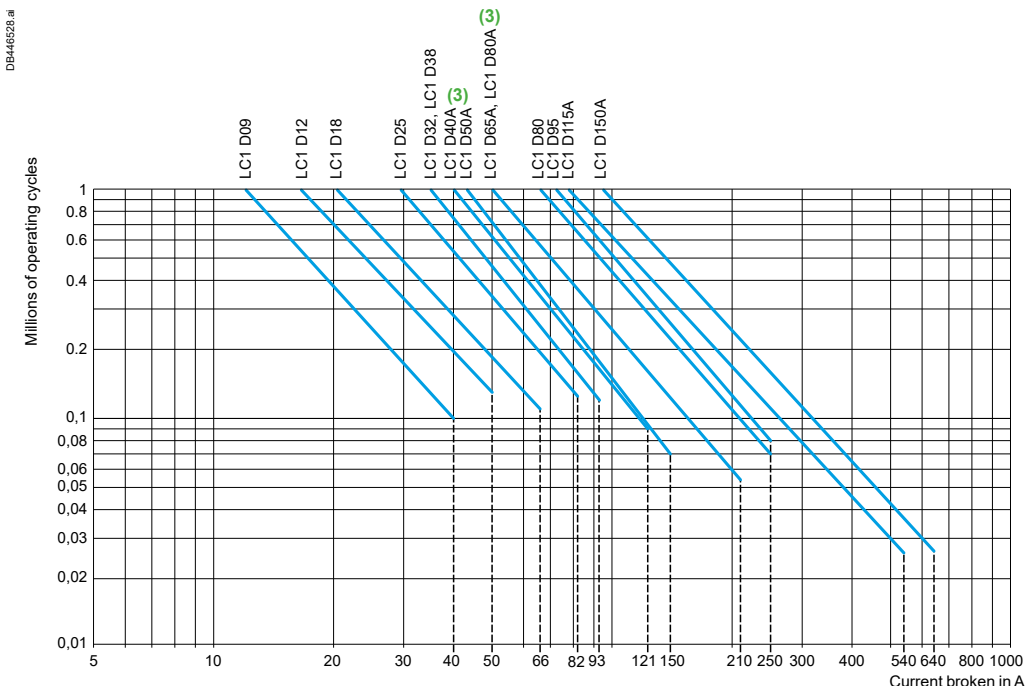
- asynchronous motor with $P = 5.5\text{ kW}$ - $U_e = 400\text{ V}$ - $I_e = 11\text{ A}$. $I_c = 6 \times I_e = 66\text{ A}$
- or asynchronous motor with $P = 5.5\text{ kW}$ - $U_e = 415\text{ V}$ - $I_e = 11\text{ A}$. $I_c = 6 \times I_e = 66\text{ A}$
- 200 000 operating cycles required
- the above selection curves show the contactor rating needed: LC1D25.

(1) The dotted lines are only applicable to LC1, LP1K12 contactors.

(2) For getting the values for installation with 180° rotation, please contact your Local Schneider Electric Technical Support.

Selection according to required electrical durability, use in category AC-4 ($440\text{ V} < U_e \leq 690\text{ V}$)

Control of 3-phase asynchronous squirrel cage motors with breaking whilst motor stalled.
 The current broken (I_c) in AC-2 is equal to $2.5 \times I_e$.
 The current broken (I_c) in AC-4 is equal to $6 \times I_e$ (I_e = rated operational current of the motor).



(3) For Deca Advanced Contactors, please contact your Local Schneider Electric Technical Support for values.

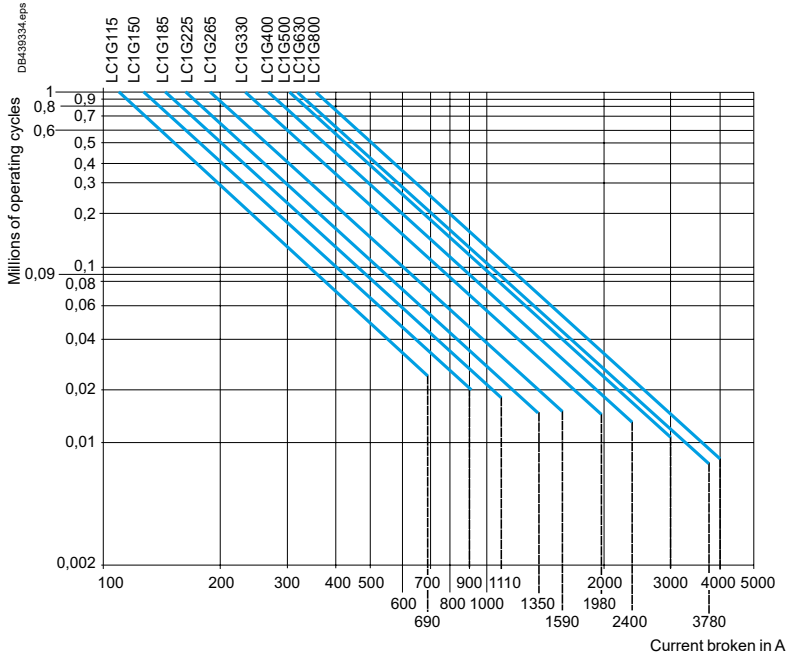
TeSys Control

Contactors for utilisation categories AC-2 or AC-4

Selection - Coordination and standards

Selection according to required electrical durability, in categories AC-2 or AC-4 ($U_e \leq 440\text{ V}$)

Control of 3-phase asynchronous squirrel cage motors (AC-4) or slip ring motors (AC-2) with breaking whilst motor stalled.
The current broken (I_c) in AC-4 is equal to $6 \times I_e$.
(I_e = rated operational current of the motor).

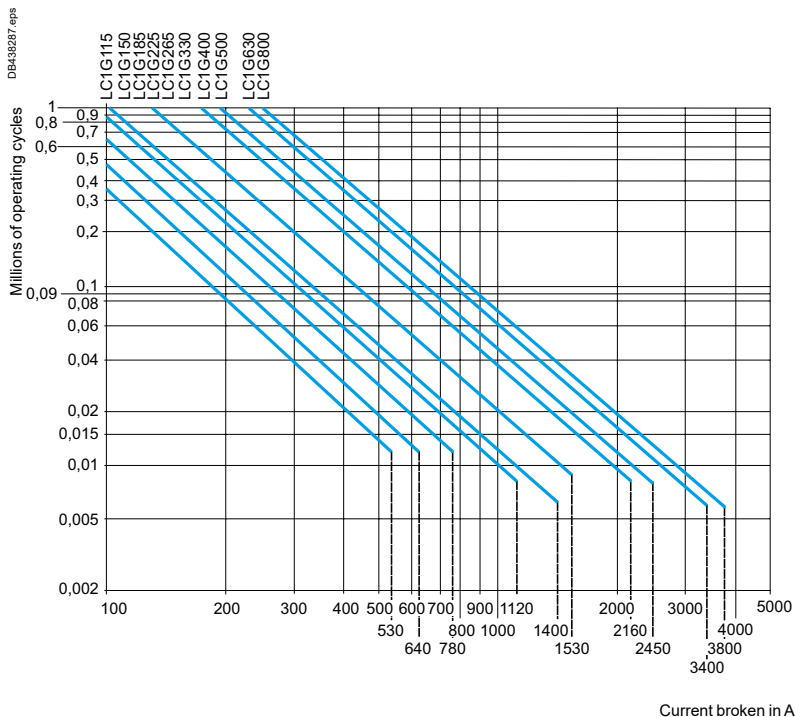


Example:

- asynchronous motor with $P = 132\text{ kW}$ - $U_e = 400\text{ V}$ - $I_e = 230\text{ A}$. $I_c = 6 \times I_e = 1380\text{ A}$. 30 000 operating cycles required.
- the above selection curves show the contactor rating needed: LC1G330.

Selection according to required electrical durability, use in category AC-4 ($440\text{ V} < U_e \leq 690\text{ V}$)

Control of 3-phase asynchronous squirrel cage motors with breaking whilst motor stalled.
The current broken (I_c) in AC-4 is equal to $6 \times I_e$ (I_e = rated operational current of the motor).

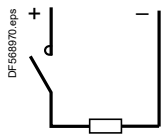


Coordination and standards

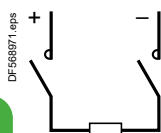
TeSys Control

Contactors for utilisation categories DC-1 to DC-5

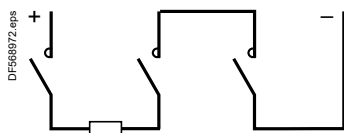
Selection - Coordination and standards



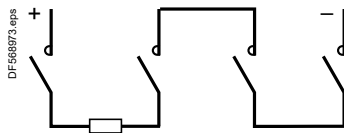
1 pole



2 poles



3 poles



4 poles

Coordination and standards

Rated operational current (Ie) in Amperes, in utilisation category DC-1 ⁽¹⁾, resistive loads: time constant $\frac{L}{R} \leq 1$ ms, ambient temperature ≤ 60 °C

Rated operational voltage Ue (V)	No. of poles connected in series	Contactor rating								
		LC1 D09	LC1 DT20	LC1 D12 DT25	LC1 D18 DT32	LC1 D25 DT40	LC1 D32	LC1 D38	LC1 D40A	LC1 DT60A
24	1	20	20	20	25	32	40	40	50	50
	2	20	20	20	25	32	40	40	50	50
	3	20	20	20	25	32	40	40	50	50
	4	–	20	20	25	32	–	–	–	50
48/75	1	20	20	20	25	32	40	40	50	50
	2	20	20	20	25	32	40	40	50	50
	3	20	20	20	25	32	40	40	50	50
	4	–	20	20	25	32	–	–	–	50
125	1	4	4	4	4	7	7	7	7	7
	2	20	20	20	25	32	40	40	50	50
	3	20	20	20	25	32	40	40	50	50
	4	–	20	20	25	32	–	–	–	50
250	1	1	1	1	1	1	1	1	1	1
	2	4	4	4	4	7	7	7	7	7
	3	20	20	20	25	32	40	40	50	50
	4	–	20	20	25	32	–	–	–	50
300	1	–	–	–	–	–	–	–	–	–
	2	–	–	–	–	–	–	–	–	–
	3	4	4	4	4	7	7	7	7	–
	4	–	20	20	25	32	–	–	–	50
460	1	–	–	–	–	–	–	–	–	–
	2	–	–	–	–	–	–	–	–	–
	3	–	–	–	–	–	–	–	–	–
	4	–	–	–	–	–	–	–	–	–
1000	2	–	–	–	–	–	–	–	–	–
	3	–	–	–	–	–	–	–	–	–
1500	2	–	–	–	–	–	–	–	–	–
	3	–	–	–	–	–	–	–	–	–

Rated operational current (Ie) in Amperes, in utilisation category DC-2 to DC-5 ⁽¹⁾, inductive loads: time constant $\frac{L}{R} \leq 15$ ms, ambient temperature ≤ 60 °C

Rated operational voltage Ue (V)	No. of poles connected in series	Contactor rating								
		LC1 D09	LC1 DT20	LC1 D12 DT25	LC1 D18 DT32	LC1 D25 DT40	LC1 D32	LC1 D38	LC1 D40A	LC1 DT60A
24	1	20	20	20	25	32	40	40	50	50
	2	20	20	20	25	32	40	40	50	50
	3	20	20	20	25	32	40	40	50	50
	4	–	20	20	25	32	–	–	–	50
48/75	1	20	20	20	25	32	40	40	50	50
	2	20	20	20	25	32	40	40	50	50
	3	20	20	20	25	32	40	40	50	50
	4	–	20	20	25	32	–	–	–	50
125	1	2	2	2	2	3	3	3	4	4
	2	20	20	20	25	32	40	40	50	50
	3	20	20	20	25	32	40	40	50	50
	4	–	20	20	25	32	–	–	–	50
250	1	0.5	0.5	0.5	0.5	0.5	0.5	0.5	1	1
	2	2	2	2	2	3	3	3	4	4
	3	8	8	8	8	32	40	40	50	50
	4	–	20	20	25	32	–	–	–	50
300	1	–	–	–	–	–	–	–	–	–
	2	–	–	–	–	–	–	–	–	–
	3	2	2	2	2	3	3	3	3	3
	4	–	8	8	8	32	–	–	–	50
460	1	–	–	–	–	–	–	–	–	–
	2	–	–	–	–	–	–	–	–	–
	3	–	–	–	–	–	–	–	–	–
	4	–	–	–	–	–	–	–	–	–

⁽¹⁾ In DC applications, lower current values than the ones specified in these tables may lead to durability performances lower than defined in the IEC 60947-4-1 (critical current). For applications with lower current than the values specified in these tables, please consult your Local Schneider Electric Technical Support.

TeSys Control

Contactors for utilisation categories DC-1 to DC-5

Selection - Coordination and standards

Contactors rating

LC1 D50A	LC1 D65A D80A	LC1 DT80A	LC1 D80	LC1 D95	LC1 D115A	LC1 D150A	LC1 G115	LC1 G150	LC1 G185	LC1 G225	LC1 G265	LC1 G330	LC1 G400	LC1 G500	LC1 G630	LC1 G800	LC1 G250DC
65	65	65	100	100	200	200	225	250	275	300	350	400	500	600	950	950	-
65	65	65	100	100	200	200	225	250	275	300	350	400	500	600	950	950	-
65	65	65	100	100	200	200	225	250	275	300	350	400	500	600	950	950	-
-	-	65	100	-	200	-	225	250	275	300	350	400	500	600	950	950	-
65	65	65	100	100	200	200	225	250	275	300	350	400	500	600	950	950	-
65	65	65	100	100	200	200	225	250	275	300	350	400	500	600	950	950	-
65	65	65	100	100	200	200	225	250	275	300	350	400	500	600	950	950	-
-	-	65	100	-	200	-	225	250	275	300	350	400	500	600	950	950	-
7	7	7	12	12	12	12	205	225	250	270	315	360	450	540	855	855	-
65	65	65	100	100	200	200	205	225	250	270	315	360	450	540	855	855	-
65	65	65	100	100	200	200	225	250	275	300	355	405	505	605	960	960	-
-	-	65	100	-	200	-	225	250	275	300	355	405	505	605	960	960	-
1	1.5	1.5	2	2	10	10	-	-	-	-	-	-	-	-	-	-	-
7	7	7	12	12	200	200	180	205	225	245	285	325	405	485	770	770	-
65	65	65	100	100	200	200	225	250	275	300	350	400	500	600	950	950	-
-	-	65	100	-	200	-	225	250	275	300	350	400	500	600	945	945	-
-	-	-	-	-	-	-	-	-	-	-	-	-	-	-	-	-	-
-	-	-	-	-	-	-	-	-	-	-	-	-	-	-	-	-	-
7	7	7	12	12	200	200	185	205	225	250	290	330	415	495	785	785	-
-	-	65	100	-	200	-	225	250	275	300	350	400	500	600	950	950	-
-	-	-	-	-	-	-	-	-	-	-	-	-	-	-	-	-	-
-	-	-	-	-	-	-	-	-	-	-	-	-	-	-	-	-	-
-	-	-	-	-	200	-	185	205	225	245	285	325	410	490	775	775	-
-	-	-	-	-	-	-	-	-	-	-	-	-	-	-	-	-	200
-	-	-	-	-	-	-	-	-	-	-	-	-	-	-	-	-	-
-	-	-	-	-	-	-	-	-	-	-	-	-	-	-	-	-	-
-	-	-	-	-	-	-	-	-	-	-	-	-	-	-	-	-	250

Contactors rating

LC1 D50A	LC1 D65A D80A	LC1 DT80A	LC1 D80	LC1 D95	LC1 D115A	LC1 D150A	LC1 G115	LC1 G150	LC1 G185	LC1 G225	LC1 G265	LC1 G330	LC1 G400	LC1 G500	LC1 G630	LC1 G800
65	65	65	100	100	200	200	225	250	275	300	350	400	500	600	950	950
65	65	65	100	100	200	200	225	250	275	300	350	400	500	600	950	950
65	65	65	100	100	200	200	225	250	275	300	350	400	500	600	950	950
-	-	65	100	-	200	-	225	250	275	300	350	400	500	600	950	950
65	65	65	100	100	200	200	225	250	275	300	350	400	500	600	950	950
65	65	65	100	100	200	200	225	250	275	300	350	400	500	600	950	950
65	65	65	100	100	200	200	225	250	275	300	350	400	500	600	950	950
-	-	65	100	-	200	-	225	250	275	300	350	400	500	600	950	950
4	4	4	5	5	10	10	-	-	-	-	-	-	-	-	-	-
65	65	65	100	100	200	200	190	210	230	250	290	335	420	500	795	795
65	65	65	100	100	200	200	205	230	255	275	325	370	460	555	875	875
-	-	65	100	-	200	-	205	230	255	275	325	370	460	555	875	875
1	1.5	1.5	1	1	3	3	-	-	-	-	-	-	-	-	-	-
4	4	4	5	5	200	200	175	190	210	230	270	305	385	460	730	730
65	65	65	100	100	200	200	185	210	230	250	290	335	415	500	790	790
-	-	65	100	-	200	-	225	250	275	300	355	405	505	605	960	960
-	-	-	-	-	-	-	-	-	-	-	-	-	-	-	-	-
-	-	-	-	-	-	-	-	-	-	-	-	-	-	-	-	-
3	3	3	5	5	200	200	175	195	210	230	270	310	385	465	730	730
-	-	65	100	-	200	-	225	250	275	300	350	400	500	600	950	950
-	-	-	-	-	-	-	-	-	-	-	-	-	-	-	-	-
-	-	-	-	-	-	-	-	-	-	-	-	-	-	-	-	-
-	-	-	-	-	-	-	-	-	-	-	-	-	-	-	-	-
-	-	-	-	-	200	-	175	190	210	230	270	310	385	460	730	730

Coordination and standards

Selection according to required electrical durability, use in categories DC-1 to DC-5

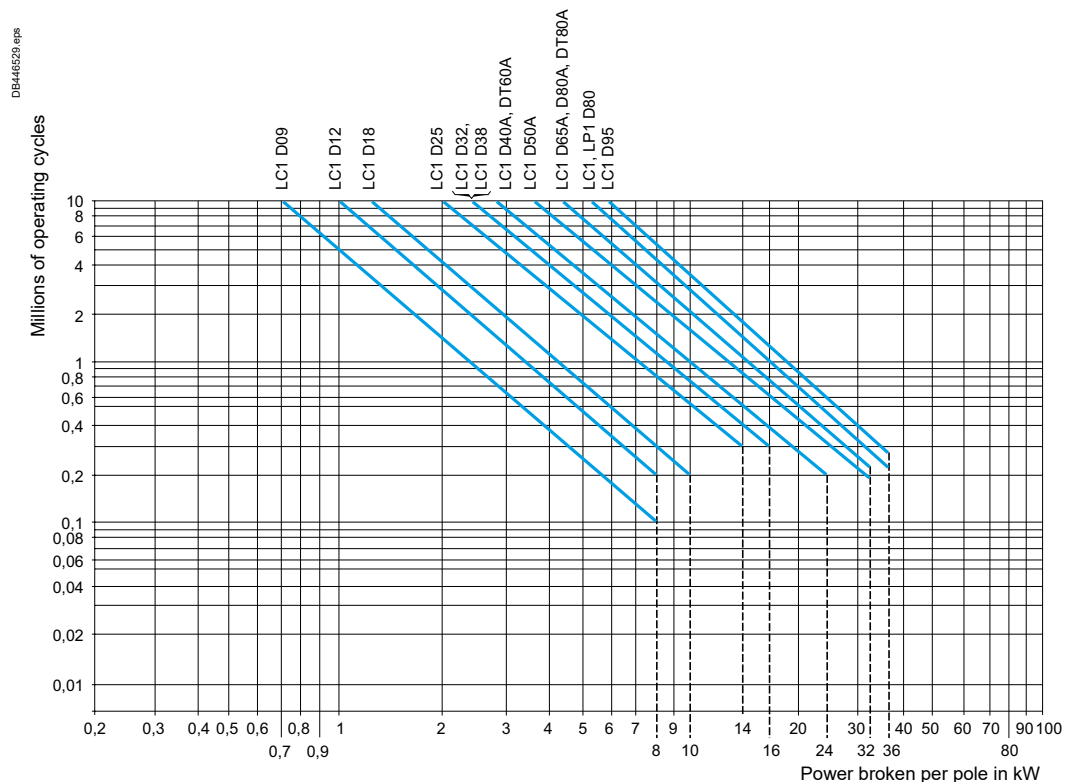
The criteria for contactor selection are:

- the rated operational current I_e
- the rated operational voltage U_e
- the utilisation category and the time constant L/R
- the required electrical durability.

Maximum operating rate (operating cycles)

The following limits must not be exceeded: 120 operating cycles/hour at rated operational current I_e .

Electrical durability

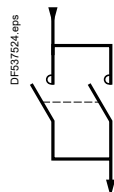


Example

Series wound motor - $P = 1.5 \text{ kW}$ - $U_e = 200 \text{ V}$ - $I_e = 7.5 \text{ A}$.

Utilisation: reversing, inching.

- Utilisation category = DC-5.
- Select contactor LC1D09 with 3 poles in series.
- The power broken is: $P_c \text{ total} = 2.5 \times 200 \times 7.5 = 3.75 \text{ kW}$.
- The power broken per pole is: 1.25 kW .
- The electrical durability read from the curve is ≥ 3 millions of operating cycles.



Use of poles in parallel

Electrical durability can be increased by using poles connected in parallel.

With N poles connected in parallel, the electrical durability becomes: electrical durability read from the curves $\times N \times 0.7$.

Note:

When the poles are connected in parallel, the maximum operational currents indicated on pages A5/120 and A5/121 must not be exceeded.

Note:

Ensure that the connections are made in such a way as to equalise the currents in each pole.

Selection according to required electrical durability, use in categories DC-1 to DC-5

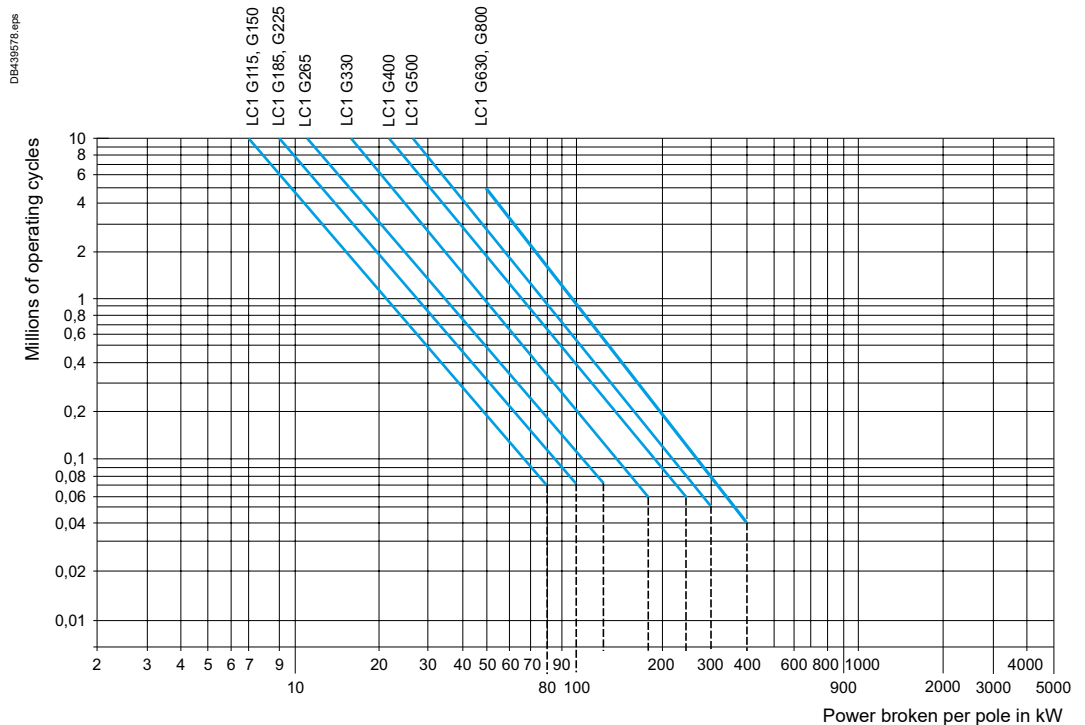
Determining the electrical durability

The electrical durability can be read directly from the curves below, having previously calculated the power broken as follows:

$$P_{\text{broken}} = U_{\text{broken}} \times I_{\text{broken}}$$

The tables below give the values of U_c and I_c for the various utilisation categories.

Power broken			
Utilisation categories	U broken	I broken	P broken
DC-1 Non inductive or slightly inductive loads	U_e	I_e	$U_e \times I_e$
DC-2 Shunt wound motors, breaking whilst motor running	$0.1 U_e$	I_e	$0.1 U_e \times I_e$
DC-3 Shunt wound motors, reversing, inching	U_e	$2.5 I_e$	$U_e \times 2.5 I_e$
DC-4 Series wound motors, breaking whilst motor running	$0.3 U_e$	I_e	$0.3 U_e \times I_e$
DC-5 Series wound motors, reversing, inching	U_e	$2.5 I_e$	$U_e \times 2.5 I_e$

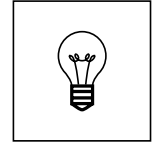


Example

Series wound motor: $P = 40 \text{ kW}$ - $U_e = 200 \text{ V}$ - $I_e = 200 \text{ A}$.

Utilisation: reversing, inching.

- Utilisation category = DC-5.
- Select contactor LC1G150 with 2 poles in series.
- The power broken is: $P_c \text{ total} = 2.5 \times 200 \times 200 = 100 \text{ kW}$.
- The power broken per pole is 50 kW.
- The electrical durability read from the curve is 200000 operating cycles.



General

The operating conditions of lighting circuits have the following characteristics:

- continuous duty: the switching device can remain closed for several days or even months
- a dispersion factor of 1: all luminaires in the same group are switched on or off simultaneously
- a relatively high temperature around the device due to the enclosure, the presence of fuses, or an unventilated control panel location.

This is why the operational current for lighting is lower than the value given for AC-1 duty.

Protection

The continuous duty current drawn by a lighting circuit is constant. In fact:

- it is unlikely that the number of luminaires of an existing circuit will be modified
- this type of circuit cannot create an overload of long duration.

It is therefore only necessary to provide short-circuit protection.

This can be provided by:

- gG type fuses, or
- modular circuit breakers.

Nevertheless, it is always possible and sometimes more economical (smaller cable size) to protect the circuit by a thermal overload relay and associated aM type uses.

Distribution system

Single-phase circuit, 220/240 V

The tables on pages A5/125 to A5/129 are based on a single-phase 220/240 V circuit and can therefore be applied directly in this case.

3-phase circuit, 380/415 V (with neutral)

The total number of lamps (N) to be switched simultaneously is divided into three equal groups, each connected between one phase and neutral. The contactor can then be selected from the 220/240 V single-phase tables for a number of lamps equal to $\frac{N}{3}$ lamps.

3-phase circuit, 220/240 V

The total number of lamps (N) to be switched simultaneously is divided into three equal groups, each connected between 2 phases (L1-L2), (L2-L3), (L3-L1). The contactor can then be selected from the 220/240 V single-phase table for a number of lamps equal to $\frac{N}{\sqrt{3}}$ lamps.

Contactor selection tables

For the different types of lamps, the tables on pages A5/125 to A5/129 give the maximum number of lamps of unit power P (in Watts), which can be switched simultaneously for each size of contactor.

They are based on:

- a 220/240 V single-phase circuit
- an ambient temperature of 55 °C ⁽¹⁾, taking into account the operating conditions (see General paragraph)
- an electrical life of more than 10 years (200 days' operation per year).

They take into account:

- the total current drawn (including ballast)
- transient phenomena which occur at switch-on
- the starting currents and their duration
- the circulation of any harmonics which may be present.

Lamps with compensating capacitor C (µF) connected in parallel

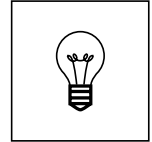
Parallel connected compensating capacitors C cause a current peak at the moment of switch-on. To ensure that the value of this current peak remains compatible with the making characteristics of the contactors, the unit value of the capacitance must not exceed the following:

Switching contactor rating	LC1 K09	LP1 K09	LC1 D09	LC1 D12	LC1 D18	LC1 D25	LC1 D32	LC1 D38	LC1 D40A	LC1 D50A	LC1 D65A	LC1 D80A	LC1 D80
Maximum unit value C (µF) of parallel connected compensating capacitor	7	3	18	18	25	60	96	96	120	120	240	240	240

Switching contactor rating	LC1 D80	LC1 D95	LC1 D115A	LC1 D150A	LC1 G185	LC1 G225	LC1 G265	LC1 G330	LC1 G400	LC1 G500	LC1 G630	LC1 G800
Maximum unit value C (µF) of parallel connected compensating capacitor	240	240	300	360	800	1200	1700	2500	4000	6000	9000	10800

This value is independent of the number of lamps switched by the contactor.

⁽¹⁾ For an ambient temperature of 40 °C, multiply the number by 1.2.



Usual values

The tables show the following values:

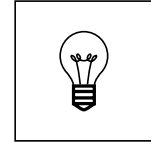
- IB: value of current drawn by each lamp at its rated voltage,
 - C: unit capacitance for each lamp,
- corresponding to the values normally quoted by lamp manufacturers.

These values are given for an ambient temperature of 55 °C (for 40 °C, multiply the number by 1.2).

Incandescent and halogen lamps										
P (W)	60	75	100	150	200	300	500	750	1000	
IB (A)	0.27	0.34	0.45	0.68	0.91	1.40	2.30	3.40	4.60	LC1
Max. no. of lamps according to P (W)	35	28	21	14	10	6	4	2	2	K09
	59	47	35	23	17	11	7	4	3	D09, D12
	77	61	46	30	23	15	9	6	4	D18
	92	73	55	36	27	18	11	7	5	D25
	129	103	77	51	38	25	15	10	7	D32, D38
	163	129	97	64	48	31	19	13	9	D40A
	207	164	124	82	62	40	24	16	12	D50A, D65A, D80A
	296	235	177	117	88	57	34	23	17	D80, D95
	520	410	310	200	150	100	60	40	30	D115A
	590	470	350	230	170	110	60	40	30	D150A
	710	564	426	282	210	136	82	56	40	G185
	770	610	462	304	228	148	90	60	44	G225
	888	704	532	352	262	170	104	70	52	G265
	1006	800	604	400	298	194	118	80	58	G330
	1274	1010	764	504	378	244	148	100	74	G400
	1718	1364	1030	682	508	330	200	136	100	G500
	2328	1850	1396	924	690	448	272	184	136	G630
	2776	2204	1666	1102	824	534	326	220	162	G800

Mixed lighting lamps						
P (W)	100	160	250	500	1000	
IB (A)	0.45	0.72	1.10	2.30	4.50	LC1
Max. no. of lamps according to P (W)	21	13	8	4	2	K09
	35	22	14	7	3	D09, D12
	46	29	18	9	4	D18
	55	36	23	11	5	D25
	77	48	30	15	7	D32, D38
	97	61	38	19	9	D40A
	124	77	49	24	12	D50A, D65A, D80A
	177	111	70	34	17	D80, D95
	310	190	120	60	30	D115A
	350	220	140	60	30	D150A
	426	266	174	82	42	G185
	462	288	188	90	46	G225
	532	332	218	104	52	G265
	604	378	246	118	60	G330
	764	478	312	150	76	G400
	1030	644	422	202	102	G500
	1398	874	572	272	140	G630
	1666	1040	680	326	166	G800

Coordination and standards



Usual values

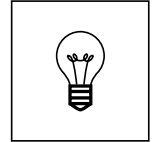
The tables show the following values:

- IB: value of current drawn by each lamp at its rated voltage
- C: unit capacitance for each lamp corresponding to the values normally quoted by lamp manufacturers.

These values are given for an ambient temperature of 55 °C (for 40 °C, multiply the number by 1.2).

Fluorescent lamps with starter. Single fitting												
	Non corrected					With parallel correction					LC1	
	P (W)	20	40	65	80	110	20	40	65	80		110
	IB (A)	0.39	0.45	0.70	0.80	1.2	0.17	0.26	0.42	0.52		0.72
C (µF)	–	–	–	–	–	5	5	7	7	16		
Max. no. of lamps according to P (W)	24	21	13	12	8	56	36	22	18	–		K09
	41	35	22	20	13	94	61	38	30	22		D09, D12
	53	46	30	26	17	123	80	50	40	29		D18
	66	57	37	32	21	152	100	61	50	36		D25
	89	77	50	43	29	205	134	83	67	48		D32, D38
	112	97	62	55	36	258	169	104	84	61		D40A
	143	124	80	70	46	329	215	133	107	77		D50A, D65A, D80A
	205	177	114	100	66	470	367	190	153	111		D80, D95
	330	280	180	160	110	750	490	300	250	180		D115A, D150A
	492	426	274	240	160	1128	738	456	368	266		G185
	532	462	296	260	172	1224	800	490	400	288		G225
	614	532	342	300	200	1412	922	570	462	332		G265
	696	604	388	340	226	1600	1046	648	522	378		G330
	882	764	490	430	286	2024	1322	818	662	478		G400
	1190	1030	662	580	386	2728	1724	1104	892	644		G500
	1612	1398	698	786	524	3700	2418	1498	1210	874		G630, G800

Fluorescent lamps with starter. Twin fitting												
	Non corrected					With series correction					LC1	
	P (W)	2x20	2x40	2x65	2x80	2x110	2x20	2x40	2x65	2x80		2x110
	IB (A)	2x0.22	2x0.41	2x0.67	2x0.82	2x1.1	2x0.13	2x0.24	2x0.39	2x0.48		2x0.65
Max. no. of lamps according to P (W)	2x21	2x11	2x7	2x5	2x4	2x36	2x20	2x12	2x10	2x7		K09
	2x36	2x18	2x10	2x8	2x6	2x60	2x32	2x20	2x16	2x12		D09, D12
	2x46	2x24	2x14	2x12	2x8	2x80	2x42	2x26	2x20	2x16		D18
	2x58	2x30	2x18	2x14	2x10	2x100	2x54	2x32	2x26	2x20		D25
	2x78	2x42	2x26	2x20	2x14	2x134	2x72	2x44	2x36	2x26		D32, D38
	2x100	2x52	2x32	2x26	2x18	2x168	2x90	2x56	2x44	2x32		D40A
	2x126	2x68	2x40	2x34	2x24	2x214	2x116	2x70	2x58	2x42		D50A, D65A, D80A
	2x180	2x96	2x58	2x48	2x36	2x306	2x166	2x102	2x82	2x60		D80, D95
	2x290	2x160	2x100	2x80	2x60	2x490	2x270	2x160	2x130	2x100		D115A, D150A
	2x436	2x234	2x142	2x116	2x86	2x738	2x400	2x246	2x200	2x148		G185
	2x472	2x254	2x154	2x126	2x94	2x800	2x432	2x266	2x216	2x160		G225
	2x544	2x292	2x178	2x146	2x108	2x922	2x500	2x308	2x250	2x184		G265
	2x618	2x332	2x202	2x166	2x124	2x1046	2x566	2x348	2x282	2x208		G330
	2x782	2x420	2x256	2x210	2x156	2x1322	2x716	2x440	2x358	2x264		G400
	2x1054	2x566	2x346	2x282	2x210	2x1784	2x966	2x594	2x482	2x356		G500
	2x1430	2x766	2x468	2x384	2x286	2x2418	2x1310	2x806	2x654	2x484		G630, G800



Usual values

The tables show the following values:

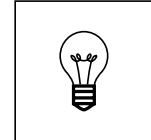
- IB: value of current drawn by each lamp at its rated voltage
- C: unit capacitance for each lamp corresponding to the values normally quoted by lamp manufacturers.

These values are given for an ambient temperature of 55 °C (for 40 °C, multiply the number by 1.2).

Fluorescent lamps without starter. Single fitting												
	Non corrected					With parallel correction					LC1	
	P (W)	20	40	65	80	110	20	40	65	80		110
	IB (A)	0.43	0.55	0.80	0.95	1.4	0.19	0.29	0.46	0.57		0.79
C (µF)	–	–	–	–	–	5	5	7	7	16		
Max. no. of lamps according to P (W)	22	17	12	10	6	50	33	20	16	–	K09	
	37	29	20	16	11	84	55	34	28	20	D09, D12	
	48	38	26	22	15	110	72	45	36	26	D18	
	60	47	32	27	18	136	89	56	45	32	D25	
	97	63	43	36	25	184	101	76	61	44	D32, D38	
	102	80	55	46	31	231	151	95	77	55	D40A	
	130	101	70	58	40	294	193	121	98	70	D50A, D65A, D80A	
	186	145	100	84	57	421	275	173	140	101	D80, D95	
	370	290	200	170	110	840	550	350	280	200	D115A, D150A	
	446	348	240	202	136	1010	662	416	336	242	G185	
	484	378	260	218	148	1094	716	452	364	262	G225	
	558	436	300	252	170	1262	828	522	420	304	G265	
	632	494	340	286	194	1432	938	590	476	344	G330	
	800	624	430	362	246	1810	1186	748	604	434	G400	
	1078	844	580	488	330	2442	1600	1008	814	586	G500	
	1462	1144	786	662	448	3310	2168	1366	1104	796	G630, G800	

Fluorescent lamps without starter. Twin fitting												
	Non corrected					With series correction					LC1	
	P (W)	2x20	2x40	2x65	2x80	2x110	2x20	2x40	2x65	2x80		2x110
	IB (A)	2x0.25	2x0.47	2x0.76	2x0.93	2x1.3	2x0.14	2x0.26	2x0.43	2x0.53		2x0.72
C (µF)	–	–	–	–	–	–	–	–	–	–		
Max. no. of lamps according to P (W)	2x19	2x10	2x6	2x5	2x3	2x34	2x18	2x11	2x9	2x6	K09	
	2x32	2x16	2x10	2x8	2x6	2x56	2x30	2x18	2x14	2x10	D09, D12	
	2x42	2x22	2x12	2x10	2x8	2x74	2x40	2x24	2x18	2x14	D18	
	2x52	2x26	2x16	2x12	2x10	2x92	2x50	2x30	2x24	2x18	D25	
	2x70	2x36	2x22	2x18	2x12	2x124	2x66	2x40	2x32	2x24	D32, D38	
	2x88	2x46	2x28	2x22	2x16	2x156	2x84	2x50	2x40	2x30	D40A	
	2x112	2x58	2x36	2x30	2x20	2x200	2x106	2x64	2x52	2x38	D50A, D65A, D80A	
	2x160	2x84	2x52	2x42	2x30	2x234	2x152	2x92	2x74	2x54	D80, D95	
	2x320	2x170	2x110	2x90	2x60	2x570	2x310	2x190	2x150	2x110	D115A, D150A	
	2x384	2x204	2x126	2x102	2x74	2x686	2x368	2x222	2x180	2x132	G185	
	2x416	2x220	2x136	2x112	2x80	2x742	2x400	2x242	2x196	2x144	G225	
	2x480	2x254	2x158	2x128	2x92	2x856	2x462	2x278	2x226	2x166	G265	
	2x544	2x288	2x178	2x146	2x104	2x970	2x522	2x316	2x256	2x188	G330	
	2x688	2x366	2x226	2x184	2x132	2x1228	2x662	2x400	2x324	2x238	G400	
	2x928	2x494	2x304	2x248	2x178	2x1656	2x892	2x540	2x438	2x322	G500	
	2x1258	2x668	2x414	2x338	2x242	2x2246	2x1210	2x730	2x592	2x436	G630, G800	

Coordination and standards



Usual values

The tables show the following values:

■ IB: value of current drawn by each lamp at its rated voltage

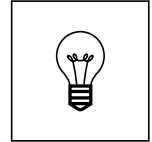
■ C: unit capacitance for each lamp

corresponding to the values normally quoted by lamp manufacturers.

These values are given for an ambient temperature of 55 °C (for 40 °C, multiply the number by 1.2).

Low pressure sodium vapour lamps																	
	Non corrected							With parallel correction									
	P (W)	35	55	90	135	150	180	200	35	55	90	135	150	180	200		
IB (A)	1.2	1.6	2.4	3.1	3.2	3.3	3.4	0.3	0.4	0.6	0.9	1	1.2	1.3			
C (µF)	–	–	–	–	–	–	–	17	17	25	36	36	36	36			
Max. no. of lamps according to P (W)	6	5	3	2	2	2	2	–	–	–	–	–	–	–	–	LC1	K09
	10	7	5	3	3	3	3	40	30	–	–	–	–	–	–		D09, D12
	12	9	6	4	4	4	4	50	37	25	–	–	–	–	–		D18
	15	11	7	6	5	5	5	63	47	31	21	19	15	14			D25
	21	16	10	8	8	7	7	86	65	43	28	26	21	20			D32, D38
	27	20	13	10	10	10	9	110	82	55	36	33	27	25			D40A
	35	26	17	13	13	12	12	140	105	70	46	42	35	32			D50A, D65A, D80A
	50	37	25	19	18	18	17	200	150	100	66	60	50	46			D80, D95
	100	75	50	40	40	35	35	400	300	200	135	120	100	90			D115A, D150A
	140	104	70	54	52	50	48	560	420	280	186	168	140	128			G185
	152	114	76	58	56	54	54	606	454	302	202	182	152	140			G225
	174	130	88	68	66	64	62	700	524	350	232	210	174	162			G265
	198	148	98	76	74	72	70	792	594	396	264	238	198	182			G330
	250	188	124	96	94	90	88	1002	752	502	334	300	250	252			G400
	338	254	168	130	126	122	118	1352	1014	676	450	406	338	312			G500
	496	372	248	192	186	180	174	1982	1488	992	660	594	496	458			G630, G800

High pressure sodium vapour lamps												
	Non corrected					With parallel correction						
	P (W)	150	250	400	700	1000	150	250	400	700	1000	
IB (A)	1.9	3.2	5	8.8	12.4	0.84	1.4	2.2	3.9	5.5		
C (µF)	–	–	–	–	–	20	32	48	96	120		
Max. no. of lamps according to P (W)	4	2	1	–	–	–	–	–	–	–	LC1	K09
	6	3	2	1	–	–	–	–	–	–		D09, D12
	7	4	3	1	1	17	–	–	–	–		D18
	10	5	3	2	1	22	13	8	–	–		D25
	13	8	5	2	2	30	18	11	6	–		D32, D38
	17	10	6	3	2	39	23	15	8	6		D40A
	22	13	8	4	3	50	30	19	10	7		D50A, D65A, D80A
	31	18	12	6	4	71	42	27	15	10		D80, D95
	65	40	25	15	10	145	85	55	30	20		D115A, D150A
	88	52	34	18	14	200	120	76	42	30		G185
	96	56	36	20	16	216	130	82	46	32		G225
	110	66	42	24	18	250	150	94	54	38		G265
	124	74	48	26	20	282	170	108	60	42		G330
	158	94	60	34	24	358	214	136	76	54		G400
	214	126	80	46	32	482	290	184	104	74		G500
	312	186	118	68	48	708	424	270	152	108		G630, G800



Usual values

The tables show the following values:

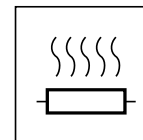
- IB: value of current drawn by each lamp at its rated voltage
- C: unit capacitance for each lamp corresponding to the values normally quoted by lamp manufacturers.

These values are given for an ambient temperature of 55 °C (for 40 °C, multiply the number by 1.2).

High pressure mercury vapour lamps																
Max. no. of lamps according to P (W)	Non corrected							With parallel correction								
	P (W)	50	80	125	250	400	700	1000	50	80	125	250	400	700	1000	
	IB (A)	0.54	0.81	1.20	2.30	4.10	6.80	9.90	0.3	0.45	0.67	1.3	2.3	3.8	5.5	
C (µF)	–	–	–	–	–	–	–	–	10	10	10	18	25	40	60	
																LC1
																K09
																D09, D12
																D18
																D25
																D32, D38
																D40A
																D50A, D65A, D80A
																D80, D95
																D115A, D150A
																G185
																G225
																G265
																G330
																G400
																G500
																G630, G800

Metal iodine vapour lamps										
Max. no. of lamps according to P (W)	Non corrected				With parallel correction					
	P (W)	250	400	1000	2000	250	400	1000	2000	
	IB (A)	2.5	3.6	9.5	20	1.4	2	5.3	11.2	
C (µF)	–	–	–	–	32	32	64	140		
										LC1
										K09
										D09, D12
										D18
										D25
										D32, D38
										D40A
										D50A, D65A, D80A
										D80, D95
										D115A, D150A
										G185
										G225
										G265
										G330
										G400
										G500
										G630, G800

Coordination and standards



Selection

General

A heating circuit is a power switching circuit supplying one or more resistive heating elements switched by a contactor. The same general rules apply as for motor circuits, except that heating circuits are not normally subjected to overload currents. It is therefore only necessary to provide short-circuit protection.

Characteristics of heating elements

The examples below are based on resistive heating elements used for industrial furnaces or for the heating of buildings (infra-red or resistive radiant type, convactor heaters, closed loop heating circuits, etc.). The variation in resistance values between hot and cold states causes a current peak at switch-on which never exceeds 2 to 3 times the rated operational current (I_n). This initial peak does not recur during normal operation where subsequent switching is thermostatically controlled. The rated power and current of a heater are given for the normal operating temperature.

Protection

The steady state current drawn by a heating circuit is constant when the voltage is stable. In fact:

- it is unlikely that the number of loads in an existing circuit will be modified
- this type of circuit cannot create overloads. It is therefore only necessary to provide short-circuit protection.

This can be provided by:

- gG type fuses, or
- modular circuit breakers.

Nevertheless, it is always possible and sometimes more economical (smaller cable size) to protect the circuit by a thermal overload relay and associated aM type fuses.

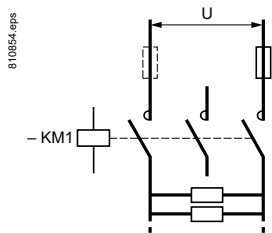
Switching, control, protection

A heating element or group of heating elements of a given power may be either single-phase or 3-phase and may be supplied from a 220/127 V or a 400/230 V distribution system. Excluding a single-phase 127 V system (which is no longer commonly used), the following 3 types of circuit arrangement are possible:

- single-phase, 2-pole switching
- single-phase, 4-pole switching
- 3-phase switching

Component selection according to the power switched

The combinations suggested below are based on an ambient temperature of 55 °C (60 °C for Giga contactors LC1G) and for powers at the nominal voltage, but they also ensure switching in the event of prolonged overloads up to 1.05 U_e .



Circuit controlled by 2 poles of the contactor.

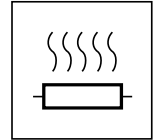
Single-phase, 2-pole switching				
Maximum power (kW)				Contactor rating
220/240 V	380/415 V	660/690 V	1000 V	
3.5	6.5	11	–	LC1K09, LP1K09
4.5	8	14	–	LC1D12
6	10.5	18.5	–	LC1D18
7	13	22.5	–	LC1D25
10	18	30.5	–	LC1D32, LC1D38
13	22.5	39.5	–	LC1D40A
16.5	28.5	43.5	–	LC1D65A, LC1D80A
24	42	73	82.5	LC1D80, LP1D80
44	76	118	157	LC1D115A, LC1D150A

Maximum power (kW)				Contactor rating
230 V	400 V	690 V	1000 V	
40	75	125	185	LC1G115
45	80	140	205	LC1G150
50	90	155	225	LC1G185
55	100	170	250	LC1G225
65	115	200	290	LC1G265
75	130	230	330	LC1G330
95	165	285	415	LC1G400
115	200	345	500	LC1G500
150	265	460	665	LC1G630
150	265	460	665	LC1G800

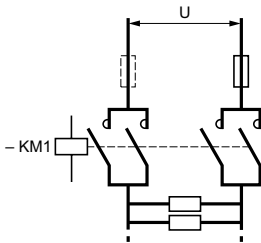
TeSys Control

Contactors for heating circuits

Selection - Coordination and standards

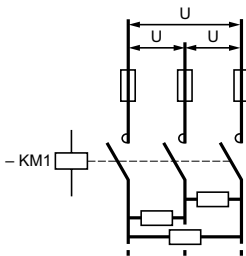


810856.eps



Circuit controlled by a 4-pole contactor with the poles parallel connected in pairs using appropriate connecting links. This solution enables the control of power values approximately equivalent to those controlled by the same contactor on 3-phase.

810857.eps



Circuit controlled by 3 poles of the contactor.

Component selection according to the power switched

Single-phase, 4-pole switching

Maximum power (kW)				Contactor rating
220/240 V	380/415 V	660/690 V	1000 V	
4.5	8	13.5	–	LC1K09004, LP1K09004
7	13	22.5	–	LC1DT25
12	21	36.5	–	LC1DT40
26	45.5	79.5	–	LC1DT80A
38	66	117.5	132	LC1D80004, LP1D80004

Maximum power (kW)				Contactor rating
230 V	400 V	690 V	1000 V	
65	120	205	300	LC1G1154
75	130	230	330	LC1G1504
80	145	250	365	LC1G1854
90	160	275	400	LC1G2254
105	185	320	465	LC1G2654
120	210	365	530	LC1G3304
150	265	460	665	LC1G4004
180	320	550	800	LC1G5004
245	425	735	1065	LC1G6304
245	425	735	1065	LC1G8004

3-phase switching

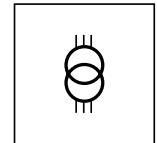
Maximum power (kW)				Contactor rating
220/240 V	380/415 V	660/690 V	1000 V	
4.5	8	13.5	–	LC1K09, LP1K09
7	13	22.5	–	LC1D12
10	18	30.5	–	LC1D18
13	22.5	39.5	–	LC1D25
18	31	52.5	–	LC1D32, LC1D38
22.5	38	68	–	LC1D40A
28.5	49	86	–	LC1D65A, LC1D80A
40.5	70.5	126	135.5	LC1D80, LP1D80
76	131	206	275	LC1D115A, LC1D150A

Maximum power (kW)				Contactor rating
230 V	400 V	690 V	1000 V	
70	125	220	320	LC1G115
80	140	245	360	LC1G150
90	155	270	395	LC1G185
95	170	295	430	LC1G225
115	200	345	505	LC1G265
130	230	395	575	LC1G330
165	285	495	720	LC1G400
195	345	595	865	LC1G500
265	460	795	1150	LC1G630
265	460	795	1150	LC1G800

Application example

For a 220 V, 50 Hz, single-phase circuit supplying a total heating load of 12.5 kW. Select a 3-pole contactor **LC1D40A**.

Coordination
and
standards



Operating conditions

Maximum ambient temperature: 55 °C.

When a transformer is switched on, there is generally an initial current surge which reaches its peak value almost instantaneously and then decreases in a largely exponential manner to quickly reach its steady state value.

The value of this current depends on:

- the characteristics of the magnetic circuit and of the windings (cross sectional area of the core, rated inductance, number of turns, layout and size of the windings, ...)
- the performance of the magnetic laminations used
- the magnetic state of the circuit and the instantaneous value of the a.c. mains voltage at the moment of switch-on.

The inrush current at the moment of switch-on can reach 20 to 40 times the rated current for the various kVA power ratings in the tables below. This value is independent of the "no-load" or "on-load" state of the transformer.

Contactor selection

The peak magnetising current of the transformer must be lower than the values given in the tables below.

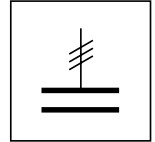
Maximum operating rate: 120 operating cycles/hour.

Contactor rating		LC1/ LP1 K06	LC1/ LP1 K09	LC1 D09	LC1 D12	LC1 D18	LC1 D25	LC1 D32	LC1 D38	LC1 D40A	LC1 D50A	LC1 D65A D80A	LC1 D80	LC1 D95	LC1 D115A	LC1 D150A
Maximum permissible current peak at switch-on	A	160	225	350	w350	420	630	770	770	1100	1250	1400	1550	1650	2948	3563
Maximum operational power ⁽¹⁾	220 V 240 V	kVA 2	2.5	4	4	5	7	8.5	8.5	14	16	18	19.5	19.5	25	25
	380 V 400 V	kVA 3.5	5	7	7	8	12.5	15	15	24	27	31	34	34	50	50
	415 V 440 V	kVA 4	5.5	8	8	9	14	17	17	28	32	36	39	39	55	55
	500 V	kVA 5	7	9	9	11	16.5	20	20	32	36	40	45	45	65	65
	660 V 690 V	kVA 6	8.5	12	12	14	21.5	26.5	26.5	42	48	53	59	59	80	80
	1000 V	kVA -	-	-	-	-	-	-	-	-	-	-	85	95	100	100

⁽¹⁾ Maximum operational power corresponding to a current peak at switch-on of 30 In.

Contactor rating		LC1 G115	LC1 G150	LC1 G185	LC1 G225	LC1 G265	LC1 G330	LC1 G400	LC1 G500	LC1 G630	LC1 G630	LC1 G800
Maximum permissible current peak at switch-on	A	1800	2000	2900	3300	3800	5000	6300	7700	9000	11000	12000
Maximum operational power ⁽²⁾	220 V 240 V	kVA 25	25	40	45	50	65	75	100	120	145	175
	380 V 400 V	kVA 50	50	75	80	90	120	130	170	200	245	280
	415 V 440 V	kVA 55	55	80	90	100	130	140	190	220	270	310
	500 V	kVA 65	65	95	100	110	140	170	225	260	315	350
	660 V 690 V	kVA 80	80	120	130	140	170	200	270	350	425	400
	1000 V	kVA 100	100	150	170	200	225	250	375	470	550	650

⁽²⁾ Maximum operational power corresponding to a current peak at switch-on of 30 In.



Standard contactors

Capacitors, together with the circuits to which they are connected, form oscillatory circuits which can, at the moment of switch-on, give rise to high transient currents (> 180 In) at high frequencies (1 to 15 kHz).

As a general rule, the peak current on energisation is lower when:

- the mains inductances are high
- the line transformer ratings are low
- the transformer short-circuit voltage is high
- the ratio between the sum of the ratings of the capacitors already switched into the circuit and that of the capacitor to be switched in is small (for multiple step capacitor banks).

In accordance with standards IEC 60070, NF C 54-100, VDE 0560, the switching contactor must be able to withstand a continuous current of 1.43 times the rated current of the capacitor bank step being switched. The rated operational powers given in the tables below take this overload into account. Short-circuit protection is normally provided by gl type HPC fuses rated at 1.7 to 2 In.

Contactor applications

Operating conditions

Capacitors are directly switched. **The values of peak current at switch-on must not exceed the values indicated opposite.**

An inductor may be inserted in each of the three phases supplying the capacitors to reduce the peak current, if necessary. Inductance values are determined according to the selected operating temperature.

Power factor correction by a single-step capacitor bank

The use of a choke inductor is unnecessary: the inductance of the mains supply is adequate to limit the peak to a value compatible with the contactor characteristics.

Power factor correction by a multiple-step capacitor bank

Select a special contactor as defined on page B8/40.

If a standard contactor is used, it is essential to insert a choke inductor in each of the three phases of each step.

Maximum operational power of contactors

Standard contactors

Maximum operating rate: 120 operating cycles/hour.

Electrical durability at maximum load: 100 000 operating cycles.

With choke inductors connected, where necessary.

Operational power at 50/60 Hz						Max. peak current	Contactor rating
$\theta \leq 40^\circ\text{C}^{(1)}$			$\theta \leq 55^\circ\text{C}^{(1)}$				
220/240 V	400/440 V	600/690 V	220/240 V	400/440 V	600/690 V	A	
kvAR	kvAR	kvAR	kvAR	kvAR	kvAR		
6	11	15	6	11	15	560	LC1D09, D12
9	15	20	9	15	20	850	LC1D18
11	20	25	11	20	25	1600	LC1D25
14	25	30	14	25	30	1900	LC1D32, D38
17	30	37	17	30	37	2160	LC1D40
22	40	50	22	40	50	2160	LC1D50
22	40	50	22	40	50	3040	LC1D65
35	60	75	35	60	75	3040	LC1D80, D95
50	90	125	38	75	80	2948	LC1D115A
60	110	135	40	85	90	3563	LC1D150A

⁽¹⁾ Upper limit of temperature category conforming to IEC 60070.

Operational power at 50/60 Hz						Max. peak current	Contactor rating
$\theta \leq 40^\circ\text{C}^{(2)}$			$\theta \leq 60^\circ\text{C}^{(2)}$				
220/240 V	400/440 V	600/690 V	220/240 V	400/440 V	600/690 V	A	
kvAR	kvAR	kvAR	kvAR	kvAR	kvAR		
50	90	150	45	80	135	1900	LC1G115
55	100	165	50	90	150	2480	LC1G150
60	110	185	55	100	165	3050	LC1G185
65	120	200	60	110	180	3710	LC1G225
75	140	235	70	125	210	4370	LC1G265
85	160	265	80	145	240	5450	LC1G330
110	200	335	100	185	305	6600	LC1G400
140	255	425	120	220	365	8250	LC1G500
210	385	640	160	295	485	10400	LC1G630
210	385	640	160	295	485	13200	LC1G800

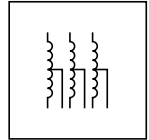
⁽²⁾ Upper limit of temperature category conforming to IEC 60831-1.

TeSys Control

Contactors for auto-transformer starting

Recommended wiring scheme, operation, curves

Coordination and standards



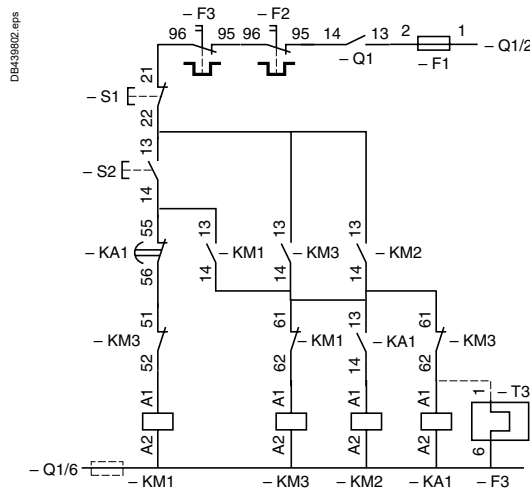
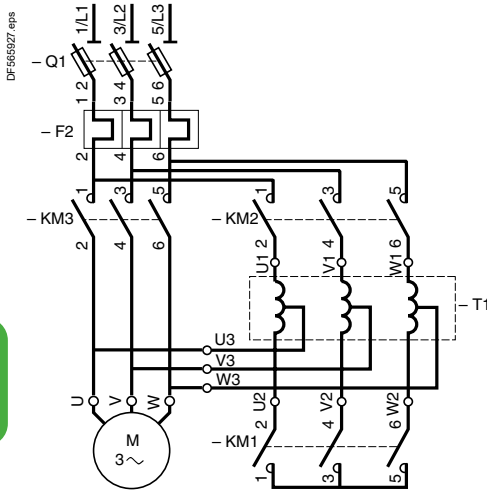
Applications

Auto-transformer starting is suitable for starting all types of squirrel cage motors: with 3, 6 or even 9 terminals according to North American technology. Starting is performed at reduced voltage and produces maximum torque at minimum line current.

It allows the starting torque ($C = f(U)^2$) to be adapted to the resistive torque of the driven machine by means of the 2 or 3 intermediate voltage take-off connections on the auto-transformer (0.65 and 0.8 U_n or 0.5, 0.65 and 0.8 U_n). In general, only one take-off connection is used.

This type of starting is used for high power and/or high inertia machines. The motor is never disconnected from its power supply during starting (closed transition) and transient phenomena are eliminated.

Recommended wiring scheme



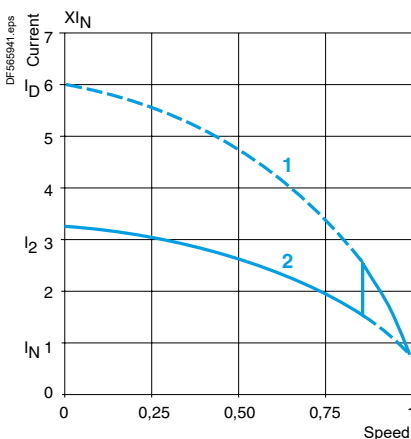
Operation

Starting is performed in 3 stages:

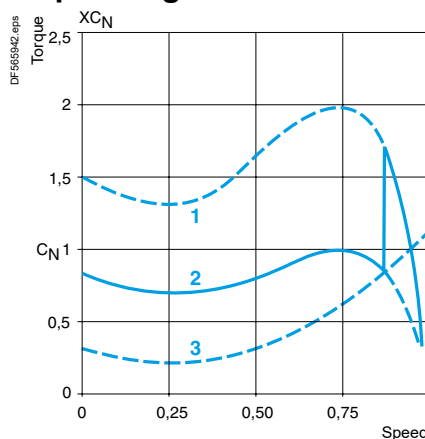
- star connection of the auto-transformer is made by KM1, then contactor KM2 closes and the motor starts under reduced voltage
- the neutral point is opened by KM1; part of the auto-transformer winding is switched into each phase for a short moment, constituting a stator starting inductance
- KM3 switches the motor to full mains voltage and causes the auto-transformer to be shunted out of circuit by KM2.

The auto-transformer used generally has an air gap (adjusted or not) in order to obtain, during the second phase of starting, a series inductance whose value is compatible with correct starting.

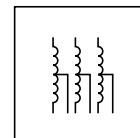
Operating curves



- 1 Direct switching current
- 2 Current with auto-transformer



- 1 Direct motor torque
- 2 Torque with auto-transformer
- 3 Resistive torque of the machine



Auto-transformer starters from 59 to 900 kW up to 440 V (type 1 coordination)

The components recommended in the table below have been determined according to the following characteristics:

- auto-transformer: on 0.65 U_n connection with non adjusted air gap
- 3 starts per hour, of which 2 consecutive
- motor starting current: $I_d/I_n = 6$
- $I_q = 70$ kA
- transient current on closing of KM3 $\leq 7 \sqrt{2} I_n$
- maximum starting time: 30 seconds
- ambient temperature $\theta \leq 40$ °C.

Switch-disconnector-fuses: operators and accessories, please consult your Regional Sales Office.

Contactors: 3-pole.

LC1D: see pages B8/28 and B8/29.

LC1G: see pages B9/10 to B9/13.

Auxiliary contact blocks:

- for contactors LC1D: one LADN11 (1 N/O + 1 N/C) on KM1.

Thermal overload relays:

- LR9D: see page B11/10.
- LR9G: see pages B11/13 and B11/14.

Standard power ratings of 3-phase motors 50/60 Hz in category AC-3					Switch- disconnecter -fuse Reference	aM fuse		Contactors			Overload relays	
220/230 V kW	380/400 V kW	415 V kW	440 V kW	I_n max A		Size	Rating	KM3 LC1	KM2 LC1	KM1 LC1	Reference	Setting range
					A							A
30	55	59	59	105	GS2K	22 x 58	125	D115A	D115A	D40A	LR9G115	28...115
40	75	80	80	138	GS2L	T0	160	D150A	D115A	D50A	LR9G225	56...225
51	90	90	100	170	GS2N	T1	200	G185	D115A	D65A	LR9G225	56...225
63	110	110	110	205	GS2N	T1	250	G225	D150A	D115A	LR9G225	56...225
75	132	132	150	245	GS2N	T1	250	G265	G185	D115A	LR9G500	125...500
90	160	160	185	300	GS2QQ	T2	315	G330	G225	D115A	LR9G500	125...500
110	200	200	220	370	GS2QQ	T2	400	G400	G265	D115A	LR9G500	125...500
140	250	257	280	460	GS2S	T3	500	G500	G330	D150A	LR9G500	125...500
180	315	355	375	584	GS2S	T3	630	G630	G400	G185	LR9G630	157...630
200	355	375	400	635	GS2V	T4	800	G800	G400	G225	TC800/1+LRD05	505...800
220	400	425	450	710	GS2V	T4	800	G800	G500	G265	TC800/1+LRD05	505...800
250	450	475	500	800	GS2V	T4	800	G800	G500	G265	TC1000/1+LRD05	630...1000

TeSys Control

Contactors for rotor circuits of slip-ring motors

Operation - Coordination and standards

Applications

These contactors are used to eliminate starting resistance in the rotor circuit of slip-ring motors.

The most common application is for starters without inching and without rotor speed adjustment: pumps, fans, conveyors, compressors, ...

In the case of control by means of a manually operated master controller, the use of contactors with magnetic blow-out is recommended. Please consult your Regional Sales Office.

For hoisting applications, contactor selection must take into account the type of motor duty, the operating rate, the rotor voltage and current, the type of connection, the ambient temperature, etc. Please consult your Regional Sales Office.

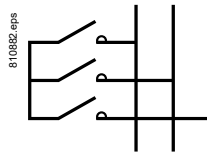
Operation

The rotor circuit contactors are interlocked with the stator contactor and therefore do not open until after the stator contactor has opened, when the rotor voltage has disappeared, or virtually disappeared.

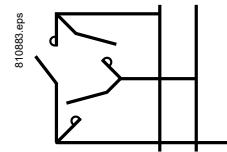
They make the current corresponding to the normal starting peak (1.5 to 2.5 times the rated rotor current) and open the circuit under no-load. Making and breaking are easy.

Different types of rotor connection

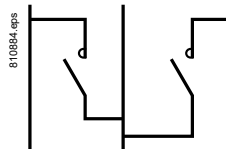
Star connection



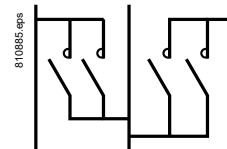
Delta connection



'V' connection



'W' connection



Contactor selection according to the type of connection

Rotor current and voltage coefficients

Coefficients to be applied to the operational current values shown in the table below.

Type of connection	Rotor I coefficient	3-phase rotor U _e ⁽¹⁾	
		Maximum	With counter-current
	Operational I	LC1G	LC1G
Star	1	2000 V	1000 V
Delta	1.4	1700 V	850 V
In V	1	1700 V	850 V
In W	1.6	1700 V	850 V

Selection according to the operational current

The selection examples below take into account:

- a ratio of 2 between the maximum operational rotor voltage (U_{er}) and the rated stator operational voltage (U_{es}). This ratio is given in standard IEC 60947-4,
- a guarantee of occasional duty (making and breaking capacities) specified in the above standards.

Time current flowing	Contactor rating						
	LC1 G150	LC1 G185	LC1 G265	LC1 G400	LC1 G500	LC1 G630	LC1 G800
Intermediate contactor: with number of operating cycles ≤ 30/h							
10 s	450 A	550 A	800 A	1100 A	1500 A	2000 A	2500 A
30 s	280 A	400 A	550 A	730 A	1000 A	1500 A	2000 A
60 s	220 A	300 A	400 A	550 A	750 A	1200 A	1500 A
Intermediate contactor: with number of operating cycles ≤ 60/h							
5 s	450 A	550 A	800 A	1100 A	1500 A	2000 A	2500 A
10 s	330 A	450 A	620 A	860 A	1250 A	1800 A	2300 A
30 s	220 A	300 A	400 A	550 A	750 A	1200 A	1500 A
Intermediate contactor: with number of operating cycles ≤ 150/h							
5 s	300 A	420 A	580 A	820 A	1150 A	1650 A	2200 A
10 s	250 A	350 A	430 A	600 A	850 A	1300 A	1600 A
Rotor short-circuit contactor and intermediate contactor: with number of operating cycles > 150/h							
–	200 A	270 A	350 A	500 A	700 A	1000 A	1600 A
Electrical durability							
For automatic starting, the electrical durability is in the region of 1 million operating cycles.							

⁽¹⁾ For use up to 3000 V, please consult your Regional Sales Office.

Voltage drop caused by the inrush current

When the operating coil of a contactor is energised, the inrush current produces a voltage drop in the control circuit cable caused by the resistance of the conductors, which can adversely affect closing of the contactor.

An excessive voltage drop in the control supply cables (both a.c. and d.c.) can lead to non closure of the contactor poles or even destruction of the coil due to overheating.

This phenomenon is aggravated by:

- a long line
- a low control circuit voltage
- a cable with a small c.s.a.
- a high inrush power drawn by the coil.

The maximum length of cable, depending on the control voltage, the inrush power and the conductor c.s.a., is indicated in the graphs below.

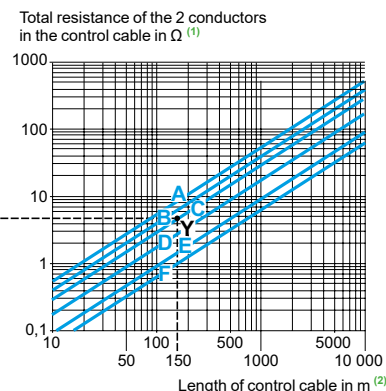
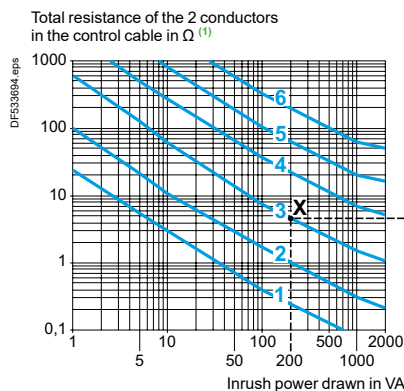
Remedial action

To reduce the voltage drop at switch-on:

- increase the conductor c.s.a.
- use a higher control circuit voltage
- use an intermediate control relay.

Selection of conductor c.s.a.

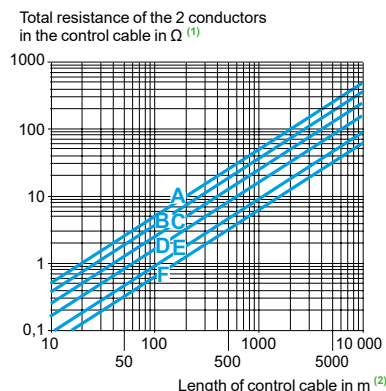
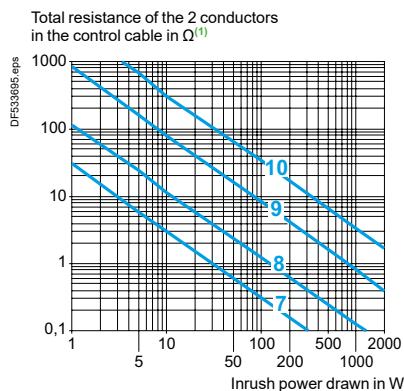
These graphs are for a maximum line voltage drop of 5%. They give a direct indication of the copper conductor c.s.a. to be used for the control cable, depending on its length, the inrush power drawn by the contactor coil and the control circuit voltage (see example page A5/139).



1 ~ 24 V 3 ~ 115 V 5 ~ 400 V

C.s.a. of copper cables

A 0.75 mm² C 1.5 mm² E 4 mm²



2 ~ 48 V 4 ~ 230 V 6 ~ 690 V

B 1 mm² D 2.5 mm² F 6 mm²

7 ~ 24 V 9 ~ 125 V

C.s.a. of copper cables

A 0.75 mm² C 1.5 mm² E 4 mm²

8 ~ 48 V 10 ~ 250 V

B 1 mm² D 2.5 mm² F 6 mm²

(1) For 3-wire control, the current only flows in 2 of the conductors.

(2) This is the length of the cable comprising 2 or 3 conductors. (Distance between the contactor and the control device).

Voltage drop caused by the inrush current

What cable c.s.a. is required for the control circuit of an LC1 D40A, 115 V contactor, operated from a distance of 150 metres?

- Contactor LC1D40A, voltage 115 V, 50 Hz: inrush power: 200 VA.

On the left-hand graph on the page opposite, point X is at the intersection of the vertical line corresponding to 200 VA and the ~ 115 V voltage curve.

On the right-hand graph on the page opposite, point Y is at the intersection of the vertical line corresponding to 150 m and the horizontal line passing through point X.

Use the conductor c.s.a. indicated by the curve which passes through point Y, i.e.: 1.5 mm².

If point Y lies between two c.s.a. curves, choose the larger of the c.s.a. values.

Calculating the maximum cable length

The maximum permissible length for acceptable line voltage drop is calculated by the formula:

$$L = \frac{U^2}{SA} \cdot s \cdot K$$

where:

- L : distance between the contactor and the control device in m (length of the cable)
- U : supply voltage in V
- SA : apparent inrush power drawn by the coil in VA
- s : conductor c.s.a. in mm²
- K : factor given in the table below.

a.c. supply	SA in VA	20	40	100	150	200
	K	1.38	1.5	1.8	2	2.15
d.c. supply	Irrespective of the apparent inrush power SA, expressed in W K = 1.38					

Residual current in the coil due to cable capacitance

When the control contact of a contactor is opened, the control cable capacitance is effectively in series with the coil of the electromagnet. This capacitance can cause a residual current to be maintained in the coil, with the risk that the contactor will remain closed.

This only applies to contactors operating on an a.c. supply.

This phenomenon is aggravated by:

- a long line length between the coil control contact and the contactor, or between the coil control contact and the power supply,
- a high control circuit voltage,
- a low coil consumption, sealed,
- a low value of contactor drop-out voltage.

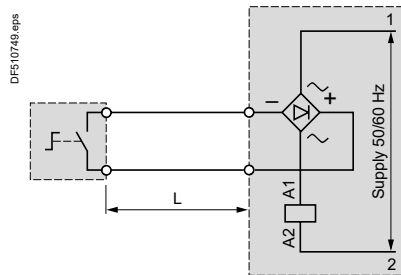
The maximum control cable length, according to the contactor coil supply voltage, is indicated in the graph on the page opposite.

Remedial action

Various solutions can be adopted to avoid the risk of the contactor remaining closed due to cable capacitance:

- use a d.c. control voltage, or
- add a rectifier, connected as shown in the scheme below, but retaining an a.c. operating coil: in this way, rectified a.c. current flows in the control cable.

When calculating the maximum cable length, take the resistance of the conductors into account.



- Connect a resistor in parallel with the contactor coil ⁽¹⁾.

Value of the resistance:

$$R \Omega = \frac{1}{10^{-3} C (\mu F)} \quad (C \text{ capacitance of the control cable})$$

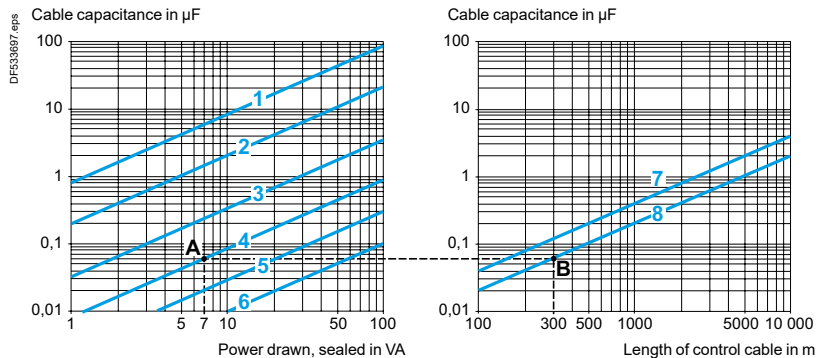
Power to be dissipated:

$$PW = \frac{U^2}{R}$$

(1) To avoid increasing the voltage drop due to inrush current, this resistor must be brought into operation after the contactor has closed by using an N/O contact.

Residual current in the coil due to cable capacitance

These graphs are for a capacitance, between 2 conductors, of 0.2 µF/km. They make it possible to determine whether there is a risk of the contactor remaining closed due to the power drawn by the coil when sealed, as well as the control circuit voltage, according to the length of the control cable.



1 ~ 24 V	3 ~ 115 V	5 ~ 400 V	7 3-wire control
2 ~ 48 V	4 ~ 230 V	6 ~ 690 V	8 2-wire control

In the zones below the straight lines for 3-wire and 2-wire control respectively, there is a risk of the contactor remaining closed.

Examples

What is the maximum length for the control cable of an LC1D12 contactor, operating on 230 V, with 2-wire control?

- Contactor LC1D12, voltage 230 V, 50 Hz: power sealed 7 VA.

On the left-hand graph, point A is at the intersection of the vertical line for 7 VA with the ~ 230 V voltage curve.

On the right-hand graph, point B is at the intersection of the horizontal line with the 2-wire control curve.

The maximum cable length is therefore 300 m.

In the same example, with a 600 m cable, the point lies in the risk zone. A resistor must therefore be connected in parallel with the contactor coil.

$$R = \frac{1}{10^{-3} \cdot C} = \frac{1}{10^{-3} \cdot 0.12} = 8.3 \Omega$$

Value of this resistance:

$$P = \frac{U^2}{R} = \frac{(220)^2}{8300} = 6 \text{ W}$$

Power to be dissipated:

Alternative solution: use a d.c. control supply.

Calculating the cable length

The maximum permitted length of control cable to avoid the effects of capacitance is calculated using the formula:

$$L = 455 \cdot \frac{S}{U^2 \cdot C_0}$$

- L : distance between the contactor and the control device in km (length of the cable),
- S : apparent power, sealed, in VA,
- U : control voltage in V,
- C₀ : line capacitance of the cable in µF/km.

Technical information

Current of asynchronous squirrel cage motors at nominal load

General - Coordination and standards

3-phase 4-pole motors				
Current values for power in kW				
Rated operational power ⁽¹⁾	Indicative rated operational current values at:			
	230 V	400 V	500 V	690 V
kW	A			
0.06	0.35	0.2	0.16	0.12
0.09	0.52	0.3	0.24	0.17
0.12	0.7	0.44	0.32	0.23
0.18	1	0.6	0.48	0.35
0.25	1.5	0.85	0.68	0.49
0.37	1.9	1.1	0.88	0.64
0.55	2.6	1.5	1.2	0.87
0.75	3.3	1.9	1.5	1.1
1.1	4.7	2.7	2.2	1.6
1.5	6.3	3.6	2.9	2.1
2.2	8.5	4.9	3.9	2.8
3	11.3	6.5	5.2	3.8
4	15	8.5	6.8	4.9
5.5	20	11.5	9.2	6.7
7.5	27	15.5	12.4	8.9
11	38	22	17.6	12.8
15	51	29	23	17
18.5	61	35	28	21
22	72	41	33	24
30	96	55	44	32
37	115	66	53	39
45	140	80	64	47
55	169	97	78	57
75	230	132	106	77
90	278	160	128	93
110	340	195	156	113
132	400	230	184	134
160	487	280	224	162
200	609	350	280	203
250	748	430	344	250
315	940	540	432	313
355	1061	610	488	354
400	1200	690	552	400
500	1478	850	680	493
560	1652	950	760	551
630	1844	1060	848	615
710	2070	1190	952	690
800	2340	1346	1076	780
900	2640	1518	1214	880
1000	2910	1673	1339	970

Current values for power in hp							
Rated operational power ⁽²⁾	Indicative rated operational current values at:						
	110 - 120 V	200 V	208 V	220 - 240 V	380 - 415 V	440 - 480 V	550 - 600 V
hp	A						
1/2	4.4	2.5	2.4	2.2	1.3	1.1	0.9
3/4	6.4	3.7	3.5	3.2	1.8	1.6	1.3
1	8.4	4.8	4.6	4.2	2.3	2.1	1.7
1 1/2	12	6.9	6.6	6	3.3	3	2.4
2	13.6	7.8	7.5	6.8	4.3	3.4	2.7
3	19.2	11	10.6	9.6	6.1	4.8	3.9
5	30.4	17.5	16.7	15.2	9.7	7.6	6.1
7 1/2	44	25.3	24.2	22	14	11	9
10	56	32.2	30.8	28	18	14	11
15	84	48.3	46.2	42	27	21	17
20	108	62.1	59.4	54	34	27	22
25	136	78.2	74.8	68	44	34	27
30	160	92	88	80	51	40	32
40	208	120	114	104	66	52	41
50	260	150	143	130	83	65	52
60	-	177	169	154	103	77	62
75	-	221	211	192	128	96	77
100	-	285	273	248	165	124	99
125	-	359	343	312	208	156	125
150	-	414	396	360	240	180	144
200	-	552	528	480	320	240	192
250	-	-	-	604	403	302	242
300	-	-	-	722	482	361	289
350	-	-	-	828	560	414	336
400	-	-	-	954	636	477	382
450	-	-	-	1030	-	515	412
500	-	-	-	1180	786	590	472

(1) Values conforming to standard IEC 60072-1 (at 50 Hz).

(2) Values conforming to standard UL 508 (at 60 Hz).

Note: These values are given as a guide. They may vary depending on the type of motor, its polarity and the manufacturer.

Standardisation

Conformity to standards

Schneider Electric products satisfy, in the majority of cases, national (for example: BS in Great Britain, NF in France, DIN in Germany), European (for example: CENELEC) or international (IEC) standards. These product standards precisely define the performance of the designated products (such as IEC 60947 series for low voltage equipment).

When used correctly, as designated by the manufacturer and in accordance with regulations and correct practices, these products will allow users to build equipment, machine systems or installations that conform to their appropriate standards (for example: IEC 60204-1, relating to electrical equipment used on industrial machines).

Schneider Electric is able to provide proof of conformity of its production to the standards it has chosen to comply with, through its quality assurance system.

On request, and depending on the situation, Schneider Electric can provide the following:

- a declaration of conformity,
- a certificate of conformity (CB certificate, Asefa/Lovag),
- a homologation certificate or approval, in the countries where this procedure is required or for particular specifications, such as those existing in the merchant navy.

Standard	Certification authority		Country
	Name	Regulation authority	
ANSI	American National Standards Institute	ANSI	USA
BS	British Standards Institution	BSI	Great Britain
CEI	Comitato Elettrotecnico Italiano	CEI	Italy
DIN/VDE	Verband Deutscher Electrotechniker	VDE	Germany
EN	Comité Européen de Normalisation Electrotechnique	CENELEC	Europe
TR	Eurasian Customs Union	EAC	Russia, Belarus, Kazakhstan
Regulation			
IEC	International Electrotechnical Commission	IEC	Worldwide
JIS	Japanese Industrial Standards Committee	JISC	Japan
NBN	Institut Belge de Normalisation	IBN	Belgium
NEN	Nederlands Normalisatie Instituut	NNI	Netherlands
NF	Union Technique de l'Electricité	UTE	France
SAA	Standards Association of Australia	SAA	Australia
UNE	Asociacion Española de Normalizacion y Certificacion	AENOR	Spain

European EN standards

These are technical specifications established in conjunction with, and with approval of, the relative bodies within the various CENELEC member countries (European Union, European Free Trade Association and many central and eastern European countries having «member» or «affiliated» status). Prepared in accordance with the principle of consensus, the European standards are the result of a weighted majority vote. Such adopted standards are then integrated into the national collection of standards, and contradictory national standards are withdrawn. European standards incorporated within the French collection of standards carry the prefix NF EN. At the 'Union Technique de l'Electricité' (*Technical Union of Electricity*) (UTE), the French version of a corresponding European standard carries a dual number: European reference (NF EN ...) and classification index (C ...).

Therefore, the standard NF EN 60947-4-1 relating to motor contactors and starters, effectively constitutes the French version of the European standard EN 60947-4-1 and carries the UTE classification C 63-110.

This standard is identical to the British standard BS EN 60947-4-1 or the German standard DIN EN 60947-4-1.

Whenever reasonably practical, European standards reflect the international standards (IEC). With regard to automation system components and distribution equipment, in addition to complying with the requirements of French NF standards, Schneider Electric brand components conform to the standards of all other major industrial countries.

Regulations

European Directives

Opening up of European markets assumes harmonisation of the regulations pertaining to each of the member countries of the European Union.

The purpose of the European Directive is to eliminate obstacles hindering the free circulation of goods within the European Union, and it must be applied in all member countries. Member countries are obliged to transcribe each Directive into their national legislation and to simultaneously withdraw any contradictory regulations. The Directives, in particular those of a technical nature which concern us, only establish the objectives to be achieved, referred to as "essential requirements".

The manufacturer must take all the necessary measures to ensure that his products conform to the requirements of each Directive applicable to his production.

As a general rule, the manufacturer certifies conformity to the essential requirements of the Directive(s) for his product by affixing the CE marking.

The CE marking is affixed to Schneider Electric brand products concerned, in order to confirm compliance with French and European regulations.

Significance of the CE marking

- The CE marking affixed to a product signifies that the manufacturer declares that the product conforms to the relevant European Directive(s) which concern it; this condition must be met to allow free distribution and circulation within the countries of the European Union of any product subject to one or more of the E.U. Directives.
- The CE marking is intended solely for national market control authorities.
- The CE marking must not be confused with a conformity mark.

European Directives

For electrical equipment, only conformity to standards signifies that the product is suitable for its designated function, and only the guarantee of an established manufacturer can provide a high level of quality assurance.

For Schneider Electric brand products, one or several Directives are likely to be applicable, depending on the product, and in particular:

- the Low Voltage Directive 2014/35/EU: the CE marking relating to this Directive has been compulsory since April 2016.
- the Electromagnetic Compatibility Directive 2014/30/EU: the CE marking on products covered by this Directive has been compulsory since April 2016.

CB certificate, Asefa/Lovag certificate

- CB certification is issued according to IEC standards in respect to a multilateral agreement between almost industrial countries called CB scheme. It allows international certification of electrical and electronic products so that a single certification facilitates a worldwide market access.
- The function of ASEFA (Association des Stations d'Essais Française d'Appareils électriques - Association of French Testing Stations for Low Voltage Industrial Electrical Equipment) is to carry out tests of conformity to standards and to issue certificates of conformity and test reports. ASEFA laboratories are authorised by the French authorisation committee (COFRAC). ASEFA is now a member of the European agreement group LOVAG (Low Voltage Agreement Group). This means that any certificates issued by LOVAG/ASEFA are recognised by all the authorities which are members of the group and carry the same validity as those issued by any of the member authorities.

Quality labels

When components can be used in domestic and similar applications, it is sometimes recommended that a "Quality label" be obtained, which is a form of certification of conformity.

Code	Quality label	Country
CEBEC	Comité Electrotechnique Belge	Belgium
KEMA-KEUR	Keuring van Electrotechnische Materialen	Netherlands
NF	Union Technique de l'Electricité	France
ÖVE	Österreichischer Verband für Electrotechnik	Austria
SEMKO	Svenska Elektriska Materiel Kontrollnatanaltten	Sweden

Product certifications

In some countries, the certification of certain electrical components is a legal requirement. In this case, a certificate of conformity to the standard is issued by the official test authority.

Each certified device must bear the relevant certification symbols when these are mandatory:

Code	Certification authority	Country
CSA	Canadian Standards Association	Canada
UL	Underwriters Laboratories	USA
CCC	China Compulsory Certification	China

Note on certifications issued by the Underwriters Laboratories (UL). There are two levels of approval:

- "Recognized" (UL)** The component is fully approved for inclusion in equipment built in a workshop, where the operating limits are known by the equipment manufacturer and where its use within such limits is acceptable by the Underwriters Laboratories.
The component is not approved as a "Product for general use" because its manufacturing characteristics are incomplete or its application possibilities are limited.
A "Recognized" component does not necessarily carry the certification symbol.
- "Listed" (UL)** The component conforms to all the requirements of the classification applicable to it and may therefore be used both as a "Product for general use" and as a component in assembled equipment. A "Listed" component must carry the certification.

Marine classification societies

Prior recognition by certain marine classification societies is generally required for electrical equipment which is intended for use on board merchant vessels.

Europe community has emitted regulation No. 391/2009 for common rules for Type approval of Marine equipment.

MR TA Mutual Recognition Type Approval is a certificate that is mutually recognized by all 12 classification societies from the **EU RO MR group** (European Recognized Organizations). Renewal of marine certifications, or new products certification is now covered by EU-MR (Mutual Recognition) process and therefore removes the need for multiple marine certifications. Current EU RO members include all major societies like DNV-GL, BV, ABS, LR as well as non-European societies like CCS, KR, NK, RMRs, etc.

Rules	Classification authority	Country
ABS	American Bureau of Shipping	Unites States of America
KRoS	Korean register of Shipping	South Korea
BV	Bureau Veritas	France
DNV-GL	Det Norske Veritas - Germanischer Lloyd	Norway - Germany
LRoS	Lloyd's Register of Shipping	Great Britain
NKK	Nippon Kaiji Kyokai	Japan
RINA	Registro Italiano Navale	Italy
RMRoS	Russian Maritime Register of Shipping	Russia
CCS	China Classification Society	Republic of China

Note: for further details on a specific product, please refer to the "Characteristics" pages in this catalogue or consult your Regional Sales Office.

Technical information

Degrees of protection provided by enclosures IP code

Introduction - Coordination and standards

Degrees of protection against the penetration of solid bodies, water and personnel access to live parts

The European standard EN 60529 dated October 1991, IEC publication 529 (2nd edition - November 1989), defines a coding system (IP code) for indicating the degree of protection provided by electrical equipment enclosures against accidental direct contact with live parts and against the ingress of solid foreign objects or water. This standard does not apply to protection against the risk of explosion or conditions such as humidity, corrosive gasses, fungi or vermin.

Certain equipment is designed to be mounted on an enclosure which will contribute towards achieving the required degree of protection (example : control devices mounted on an enclosure).


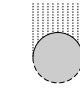

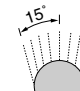
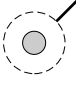
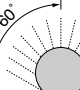
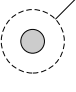
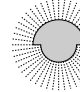

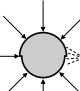

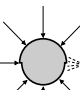
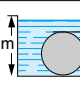
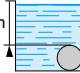
Different parts of an equipment can have different degrees of protection (example : enclosure with an opening in the base).

Standard NF C 15-100 (May 1991 edition), section 512, table 51 A, provides a cross-reference between the various degrees of protection and the environmental conditions classification, relating to the selection of equipment according to external factors.

Practical guide UTE C 15-103 shows, in the form of tables, the characteristics required for electrical equipment (including minimum degrees of protection), according to the locations in which they are installed.

IP ●●● code

The IP code comprises **2 characteristic numerals** (e.g. **IP 55**) and may include **an additional letter** when the actual protection of personnel against direct contact with live parts is better than that indicated by the first numeral (e.g. IP 20C). Any characteristic numeral which is unspecified is replaced by an X (e.g. IP XXB).

1 st characteristic numeral		2 nd characteristic numeral		Additional letter	
corresponds to protection of the equipment against penetration of solid objects and protection of personnel against direct contact with live parts.		corresponds to protection of the equipment against penetration of water with harmful effects.		corresponds to protection of personnel against direct contact with live parts.	
Protection of the equipment	Protection of personnel				
0 Non-protected	Non-protected	0 Non-protected	Non-protected	A	With the back of the hand.
1 Ø 50 mm 	Protected against the penetration of solid objects having a diameter greater than or equal to 50 mm.	1 	Protected against vertical dripping water, (condensation).	B	With the finger.
2 Ø 12,5 mm 	Protected against the penetration of solid objects having a diameter greater than or equal to 12.5 mm.	2 	Protected against dripping water at an angle of up to 15°.	C	With a Ø2.5 mm tool.
3 Ø 2,5 mm 	Protected against the penetration of solid objects having a diameter greater than or equal to 2.5 mm.	3 	Protected against rain at an angle of up to 60°.	D	With a Ø1 mm wire.
4 Ø 1 mm 	Protected against the penetration of solid objects having a diameter greater than or equal to 1 mm.	4 	Protected against splashing water in all directions.		
5 	Dust protected (no harmful deposits).	5 	Protected against water jets in all directions.		
6 	Dust tight.	6 	Protected against powerful jets of water and waves.		
		7 	Protected against the effects of temporary immersion.		
		8 	Protected against the effects of prolonged immersion under specified conditions.		

Coordination and standards

Technical information

Degrees of protection provided by enclosures IK code

Introduction - Coordination and standards

Degrees of protection against mechanical impact

The European standard EN 50102 dated March 1995 defines a coding system (IK code) for indicating the degree of protection provided by electrical equipment enclosures against external mechanical impact. Standard NF C 15-100 (May 1991 edition), section 512, table 51 A, provides a cross-reference between the various degrees of protection and the environmental conditions classification, relating to the selection of equipment according to external factors. Practical guide UTE C 15-103 shows, in the form of tables, the characteristics required for electrical equipment (including minimum degrees of protection), according to the locations in which they are installed.

IK ●● code

The IK code comprises **2 characteristic numerals** (e.g. **IK 05**).

2 characteristic numerals

corresponding to a value of impact energy.

		h (cm)	Energy (J)
00	Non-protected		
01		7.5	0.15
02		10	0.2
03		17.5	0.35
04		25	0.5
05		35	0.7
06		20	1
07		40	2
08		30	5
09		20	10
10		40	20

Part B

COMPONENTS FOR CONVENTIONAL SOLUTIONS

Linergy BZ, HK
Busbar systems

Up to 630 A



B1/1

Power
busbar
systems

GV, LAD, U

Wiring systems for motor
starters



B2/1

Wiring
systems

TeSys Control

Switch-disconnectors

Up to 175 A



B3/1

Switch-
disconnectors

TeSys Power

Fuse carriers

Up to 125 A



B4/1

Fuse
carriers

TeSys Power

Switch-disconnector fuses

Up to 1250 A



B5/1

Switch-
disconnector
fuses

TeSys Power

Deca, Giga and Modular
Motor circuit breakers

Up to 250 kW



B6/1

Motor
circuit
breakers

TeSys Control

SK, K, Deca Control relays

Up to 10 A



B7/1

Control
relays

TeSys Control

SK, K, SKGC, Deca, Modular
and other Contactors

Up to 150 A (AC-3)



B8/1

Contactors

TeSys Control

Giga High power contactors

Up to 800 A (AC-3)



B9/1

High power
contactors

TeSys Control

F High power contactors

Up to 2600 A (AC-1)



B10/1

High power
contactors

TeSys Protect

LRK, Deca, Giga
Overload relays

Up to 630 A



B11/1

Overload
relays

This PDF Catalog is updated twice a year. Please check on the link below that you are using the last version.

Ref. MKTED210011EN

Busbar systems for electrical distribution and motors starters

Type of product	Range	Pages
Introduction Linergy BZ		B1/2
Multi-standard power busbar Linergy BZ	From 160 to 630 A	B1/4
Introduction Linergy HK		B1/10
Multi-standard hot-plug distribution system Linergy HK	Up to 160 A	B1/12

Power
busbar
systems

Technical Data for Designers

B1/17



All Schneider Electric **distribution and connection systems** are brought together into a single brand name: **Linergy**

Distribution blocks
Device feeders
Power busbars
Hot plug busbar system
Terminal blocks and bars.

Catalogue reference: **LVED213001EN**

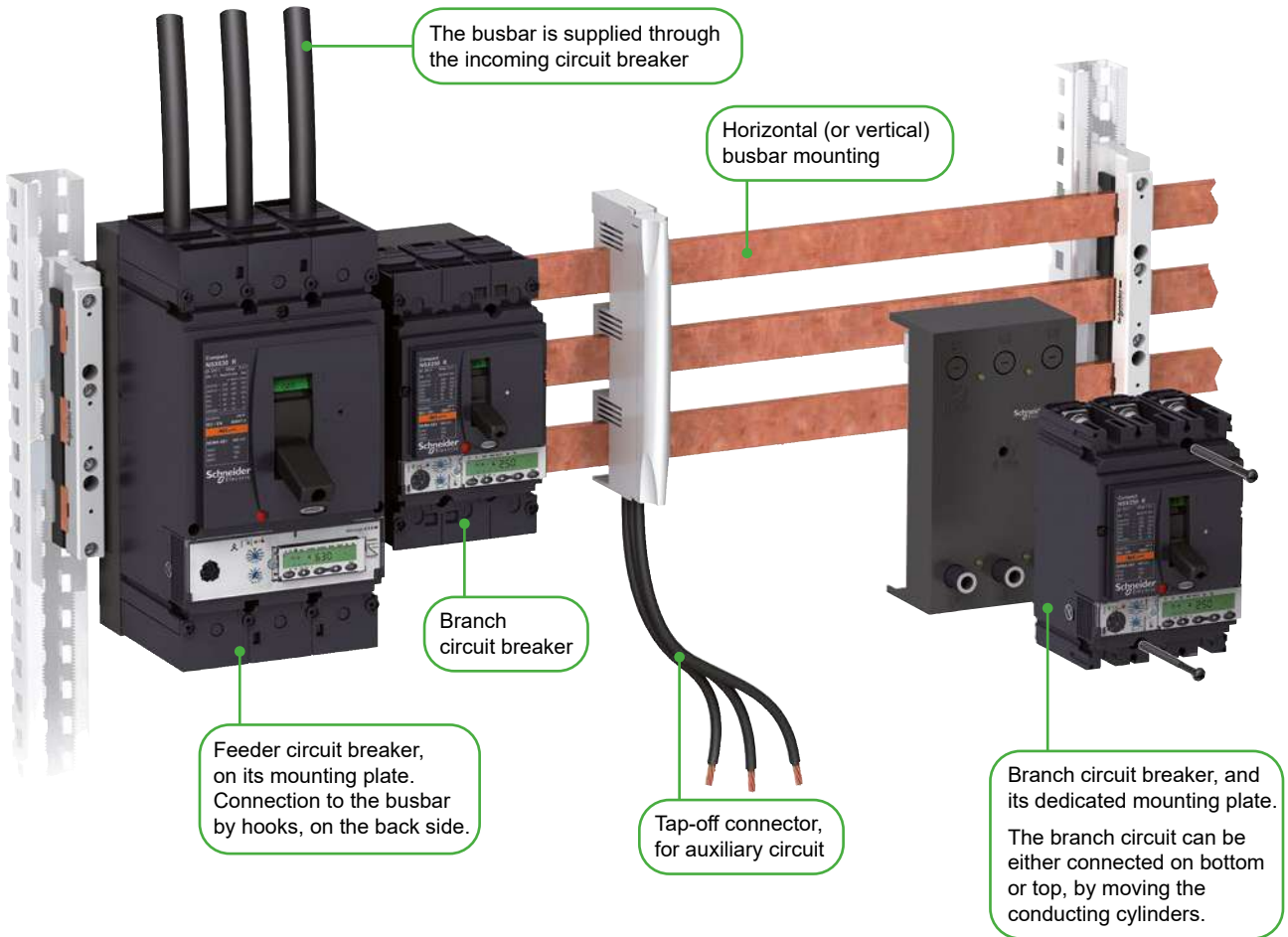
Linergy BZ, HK Busbar systems

Linergy BZ - Electrical distribution up to 630 A

Introduction

In enclosures, when space saving and fast connection are a strong requirement

Power busbar systems



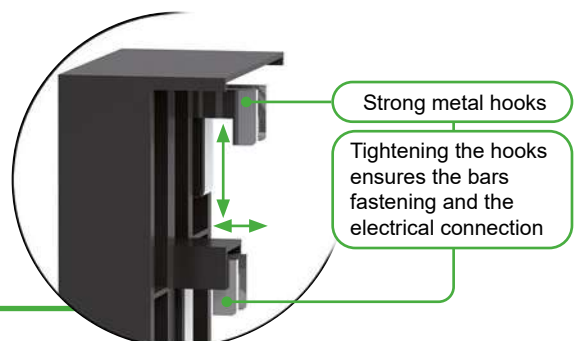
Ideal for industrial process application

Advantages

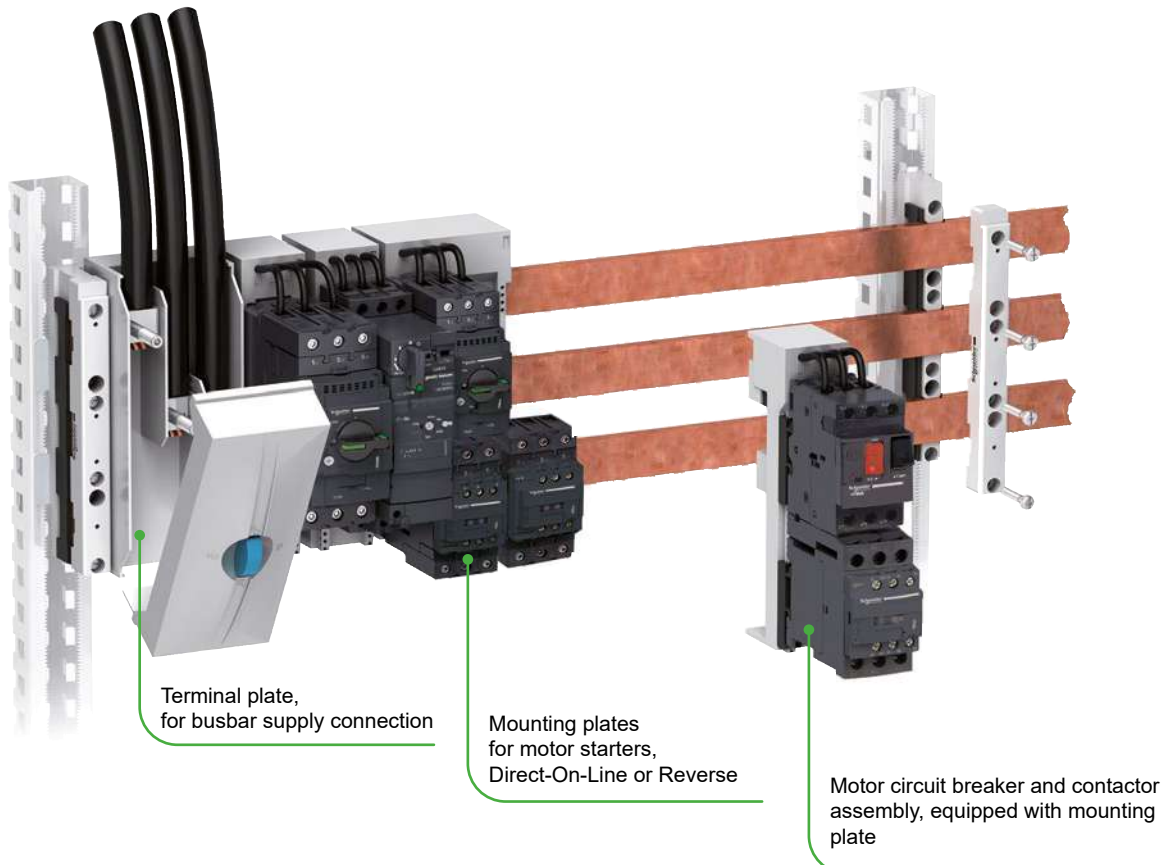
- Considerable space saving: components are directly mounted on the busbar
- Quick connection, disconnection: a metal hook combines mechanical fastening and electrical connection
- Multi standard: conform to IEC and UL standards

Detailed view: back face of a mounting plate

- Mounting plates, for Compact NSX, Powerpact and GV5 circuit breakers
- Compatible with bars:
 - Height 12, 15, 20, 25 or 30 mm,
 - Width 5 or 10 mm



In control switchboards, when space saving, quick mounting and replacement are required

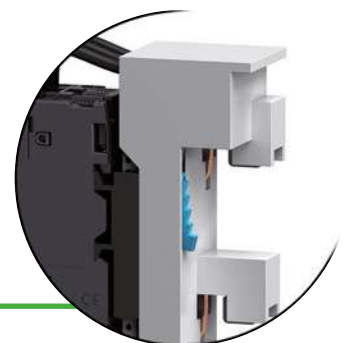


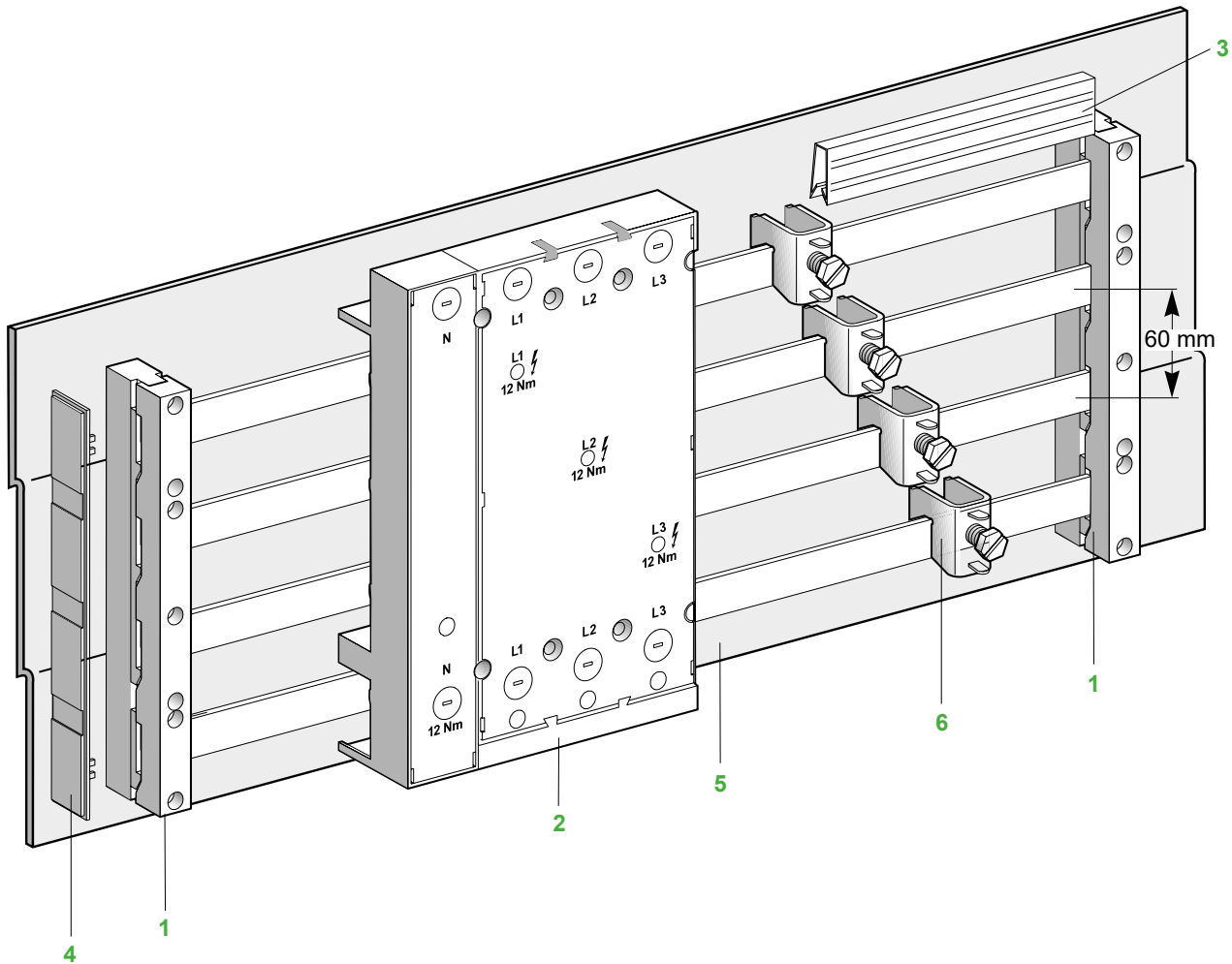
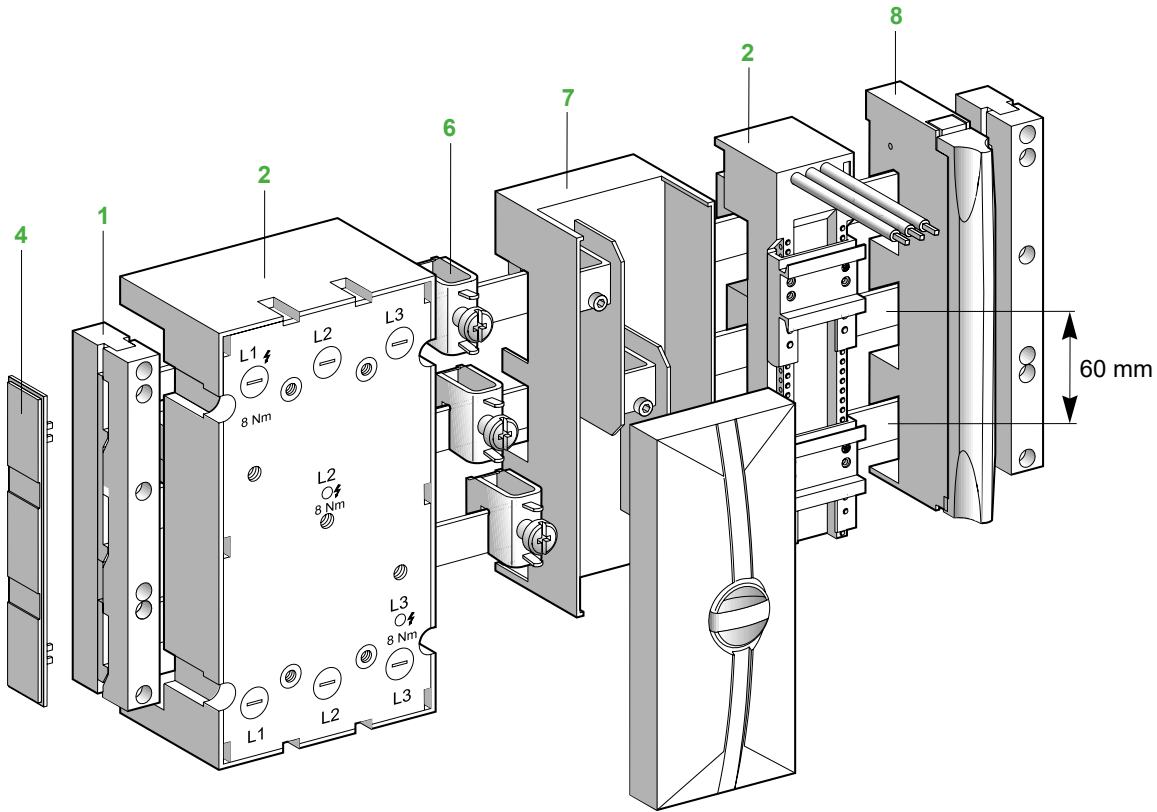
Advantages

- Considerable space saving: components are directly mounted on the busbar
- Large choice of mounting plates (for a Deca Frame 2 (GV2), a Deca Frame 3 (GV3) motor circuit breakers and assemblies, a Deca Frame 5 (GV5) Ultra)
- Quick connection, disconnection (power off): clip-on mounting plates
- Vibration resistant busbar connections: no periodical re-tightening required
- Multi standard: conform to IEC and UL standards

Detailed view: back face of a motor starter mounting plate

- A reliable electrical contact is ensured by copper blades
- The blue part locks the mounting plate on the busbar, compatibility is provided with the standard profiles:
 - Height 12, 15, 20, 25 or 30 mm,
 - Width 5 or 10 mm





Linergy BZ, HK Busbar systems

Linergy BZ - Mounting plates for motor starters

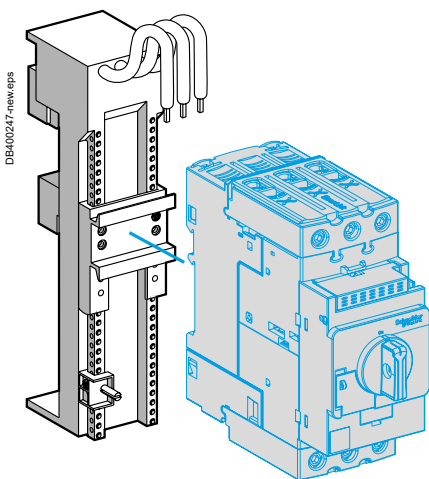
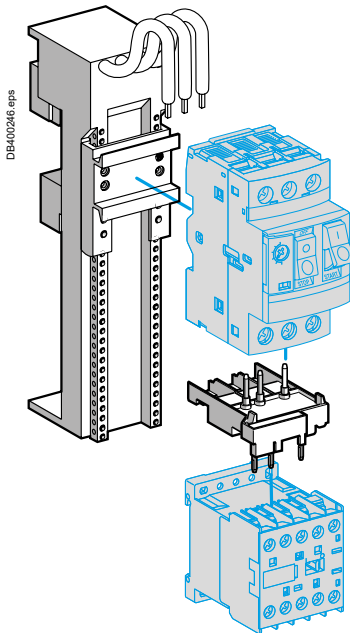
Introduction



References:
p. B1/6 to B1/9

Characteristics:
p. B1/18

Curves:
p. B1/19



Installation examples.

Description

The mounting plate system for busbars simplifies the installation of motor feeder components used in your electrical installations. Power distribution is performed by a busbar.

The mounting plates are fitted directly on this busbar, by snap-on mounting, thus implementing mechanical and electrical connection.

This system offers numerous benefits:

- space saving in cabinets
- fast, safe and reliable electrical and mechanical connection
- easy connection
- protection for users against electric shocks by direct contacts (IP20) by using busbars end covers
- equipment flexibility and modularity
- increased equipment availability: easier maintenance
- power supply without drilling (connectors) from 1.5 to 120 mm².

Busbars system

The busbar interaxis is 60 mm. Depending on the cross section of the bars, the busbar can withstand a maximum current of 630 A.

Note: The bars forming the busbar are not part of the LA9Z offer. They are not supplied by us. Their selection depends on the maximum current needed for your installation (see next page).

Support for 3P and 4P busbar (1)

These are available in 2 versions: three-pole and four-pole.

For applications having to comply with the UL standard, use the LA9ZX01508 support (3P only).

The mounting plates (2)

These allow mounting of the power feeder components consisting of:

- a Deca Frame 2 (GV2) motor circuit breaker, mounted alone or in conjunction with a TeSys K or Deca contactor
- a Deca Frame 3 (GV3) motor circuit breaker, mounted alone or in conjunction with a Deca contactor
- a Ultra motor starter
- a Deca Frame 5 (GV5) motor circuit breaker
- a NSX100-250 or NSX400-630 A circuit breaker
- H/J/L PowerPact circuit breaker frame.

Accessories

Accessories complete the offer:

- covers (3) for 5 and 10 mm bars
- end covers (4)
- a base plate (5)
- 1P connectors (6)
- 3P connectors on mounting plate (7)
- a spring terminal 3P connection module (8).

Linergy BZ, HK Busbar systems

Linergy BZ - Busbar supports and accessories

Product references

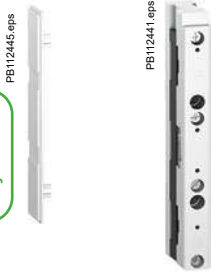


Description:
p. B1/5

Characteristics:
p. B1/18

Curves:
p. B1/19

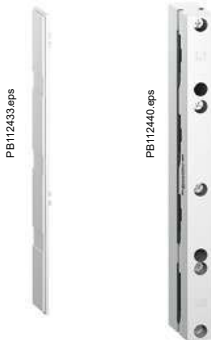
Power
busbar
systems



LA9ZX01573 LA9ZX01495

IEC busbar supports and accessories

		Min. order qty	Unit reference
3-pole	For 12, 15, 20, 25, 30 x 5/10 mm busbars	10	LA9ZX01495
	End covers for 3-pole busbar support	10	LA9ZX01573
4-pole	For 12, 15, 20, 25, 30 x 5/10 mm busbars	10	LA9ZX01485
	End covers for 4-pole busbar support (5 left, 5 right)	10	LA9ZX01131



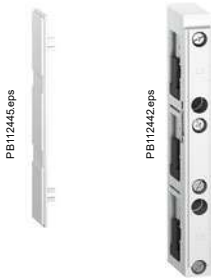
LA9ZX01131 LA9ZX01485

UL busbar supports and accessories

		Min. order qty	Unit reference
3-pole	For 12, 20, 30 x 5/10 mm busbars	10	LA9ZX01508
	Base plate 240 x 700	2	LA9ZX01515
	End covers for busbar support	10	LA9ZX01573

Other accessories

		Min. order qty	Unit reference
Covers, length 1 m	For 12-30 x 5 mm busbars	10	LA9ZX01244
	For 12-30 x 10 mm busbars	10	LA9ZX01245



LA9ZX01573 LA9ZX01508



LA9ZX01244

Linergy BZ, HK Busbar systems

Linergy BZ - Mounting plates

Product references



Description:
p. B1/5

Characteristics:
p. B1/18

Curves:
p. B1/19



LV429372



LA9ZA32600



LV432624

For Deca Frame 5 (GV5), Frame 6 (GV6) motor circuit breakers

Ratings	Mounting plate l x h x d	Min. order qty	Unit reference
150-220 A GV5	Mounting plate for 3P circuit breakers	104 x 190 x 63	1 LV429372
	Mounting plate for 4P circuit breakers	139 x 251 x 63	1 LV429373
320-500 A GV6	Mounting plate for 3P circuit breakers	139 x 270 x 63	1 LV432623
	Mounting plate for 4P circuit breakers	184 x 284 x 63	1 LV432624

For PowerPact 3P circuit breakers

Ratings	Mounting plate l x h x d	Min. order qty	Unit reference
60-100-150 A	Mounting plate for H frame circuit breakers	104 x 190 x 63	1 LA9ZA32600
250 A	Mounting plate for J frame circuit breakers	104 x 190 x 63	1 LV429372
250-400-600 A	Mounting plate for L frame circuit breakers	139 x 270 x 63	1 LV432623

Characteristics of busbar mounting plates

Type of mounting plate	LA9ZA32621 LA9ZA32622	LA9ZA32427 LA9ZA32428 LA9ZA32434 LA9ZA32623 LA9ZA32442 LA9ZA32443	LA9ZA32624 LA9ZA32625 LA9ZA32626 LA9ZA32627	LV429372 LV429373	LV432623 LV432624	LA9ZA32600
Degree of protection as per IEC 60529	IP 20					
Rated insulation voltage	V 690					
Permissible current	A 25	32	63	80-100-250	400-630	60-100-150
Peak rated current	kA 50	50 ⁽¹⁾	50	50	50	50
SCCR (UL) with Compact NSX circuit breaker protection	mm ² The reinforced breaking capacity due to cascading in circuit breaker combination is maintained					
Conductor cross section (color: black)	mm ² 4	6	10	NA		
	AWG 12	10	8	NA		
Type of conductor insulating material	PVC 105°			NA		

(1) 35 kA with LUB12 for LA9ZA32427 and LA9ZA32428.

Linergy BZ, HK Busbar systems

Linergy BZ - Mounting plates

Product references



Description:
p. B1/5

Characteristics:
p. B1/18

Curves:
p. B1/19

Power
busbar
systems



PB112419_R_1_eps

LA9ZA32443, LA9ZA32621



PB112417_R_1_eps

LA9ZA32434,
LA9ZA32442



PB112420_R_1_eps

LA9ZA32622



PB112421_R_1_eps

LA9ZA32623



PB112416_R_1_eps

LA9ZA32427



PB112419_R_1_eps

LA9ZA32428



PB112422_R_1_eps

LA9ZA32624



PB112423_R_1_eps

LA9ZA32625



PB112426_R_1_eps

LA9ZA32626

For Deca Frame 2 (GV2) motor circuit breakers

Operating current AC-3 440 V	Protection by motor circuit breaker	For contactor	Mounting plate l x h x d	Min. order qty	Unit reference
Mounting plate, 1-way					
25 A	GV2ME GV2P GV2LE	LC1D LC1K LP4K06-K12	45 x 200 x 63	4	LA9ZA32621
32 A	GV2LE		63 x 200 x 63	4	LA9ZA32443
Mounting plate, 2-way ⁽³⁾					
25 A	GV2ME GV2P GV2LE	LC1D LC1K LP4K06-K12	90 x 200 x 63	2	LA9ZA32622
32 A	GV2ME GV2P GV2LE	LC1D	45 x 200 x 63	4	LA9ZA32434
			54 x 200 x 63	4	LA9ZA32442
			90 x 200 x 63	2	LA9ZA32623

Ultra motor starters

Operating current AC-3 440 V	Protection by power base	Mounting plate l x h x d	Min. order qty	Unit reference
Mounting plate, 1-way				
32 A	LUB12, LUB32	45 x 200 x 63	4	LA9ZA32427
Mounting plate, 2-way				
32 A	LUB12, LUB32	45 x 260 x 63	4	LA9ZA32428

For Deca Frame 3 (GV3) motor circuit breakers

Operating current AC-3 440 V	Protection by motor circuit breaker	For contactor	Mounting plate l x h x d	Min. order qty	Unit reference
Mounting plate, 1-way ⁽¹⁾					
63 A	GV3P	–	54 x 200 x 63	4	LA9ZA32624
	GV3P	LC1D40A...65 A	54 x 260 x 63	4	LA9ZA32625
Mounting plate, 2-way ^{(1) (2)}					
63 A	GV3P	LC2D40A...65 A	117 x 260 x 63	4	LA9ZA32626

(1) Contactor-circuit breaker combination without additional part.

(2) Use the LAD9R3 kit for the execution of changeover contactors.

(3) Use the LAD9R1 or LAD9R1V kit for the execution of changeover contactors.

Note: the mounting plate rails can be shifted vertically in 1.25 mm increments.

Linergy BZ, HK Busbar systems

Linergy BZ - Accessories

Product references



Description:
p. B1/5

Characteristics:
p. B1/18

Curves:
p. B1/19



LA9ZX01285



LA9ZX01287



LA9ZX01413



LA9ZX01243



LA9ZX01563

Terminals

	I max		Set of	Unit reference
One-pole for flat bars, 5 mm	270 A	Capacity 4-35 mm ²	50	LA9ZX01285
	400 A	Capacity 16-70 mm ²	25	LA9ZX01287
3P cover, width 84 mm			10	LA9ZX01413

Power busbar systems

Terminals on mounting plate

	I max		Min. order qty	Unit reference
3P, on mounting plate + cover, for 12 x 5 to 30 x 10 busbars, width 81 mm	440 A	Capacity 35-120 mm ²	1	LA9ZX01243

Connection module

	I max		Min. order qty	Unit reference
3P, spring terminal connection + cover, for 12 x 5 to 30 x 10 busbars, width 20 mm	80 A	Capacity 1.5-16 mm ²	8	LA9ZX01563

Connection by connectors

		LA9ZX01285		LA9ZX01287		LA9ZX01243		LA9ZX01563	
		Min.	Max.	Min.	Max.	Min.	Max.	Min.	Max.
Flexible wire	mm ²	4	35	16	70	35	120	1.5	16
Multi-strand wire	mm ²	4	35	16	70	35	120	1.5	16
Rigid wire	mm ²	4	35	–	–	–	–	1.5	16
Tightening torque	N.m	... x 5		... x 5		... x 5-10		... x 5-10	
Cover		LA9ZX01413		LA9ZX01413		Supplied without cover		Supplied without cover	

Linergy BZ, HK Busbar systems

Linergy HK - Electrical distribution up to 160 A

Introduction

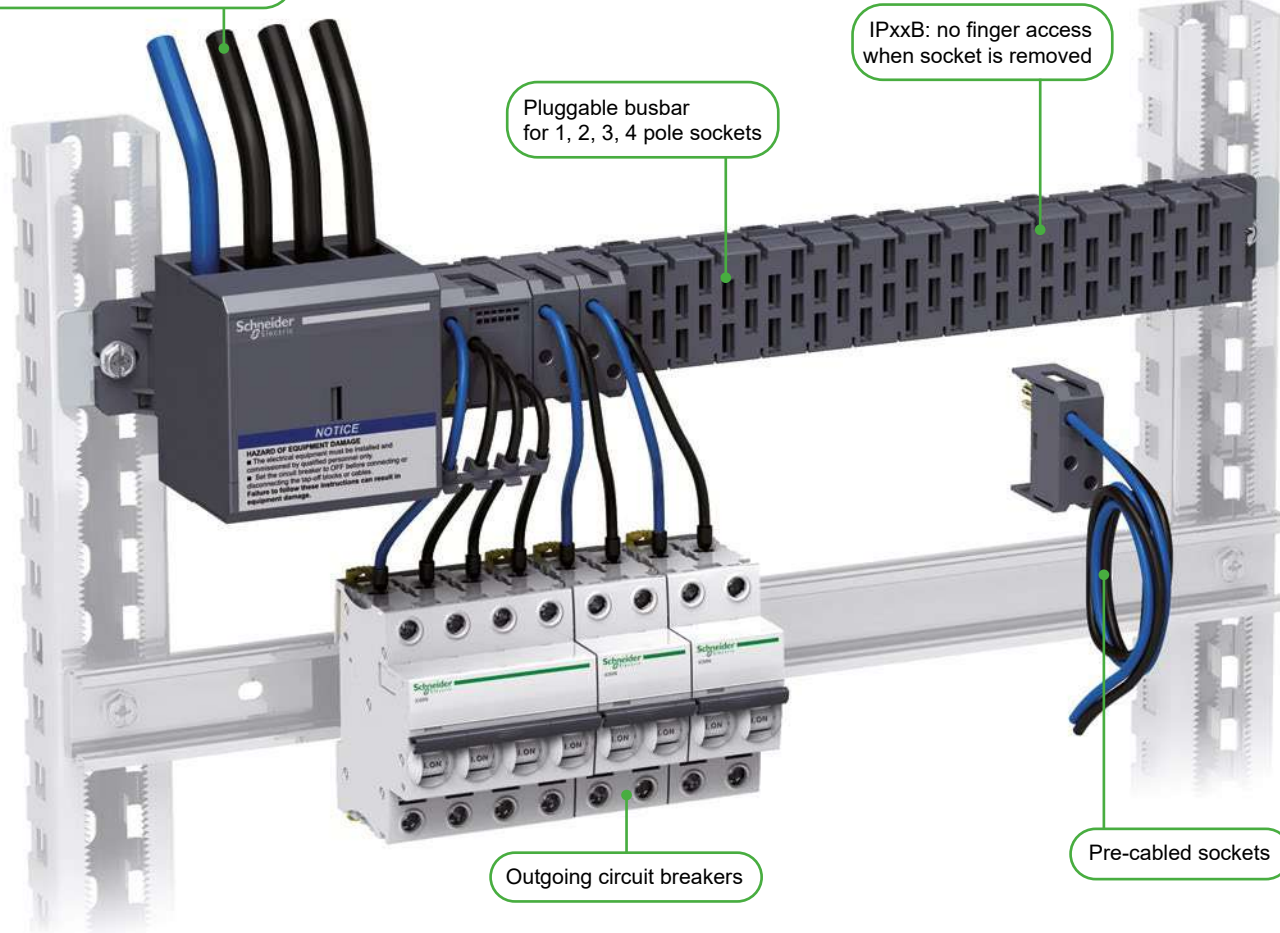
Hot-plug distribution: when continuity of service is required

Power busbar systems

The busbar is supplied through the incoming circuit breaker

IPxxB: no finger access when socket is removed

Pluggable busbar for 1, 2, 3, 4 pole sockets



Outgoing circuit breakers

Pre-cabled sockets

Advantages

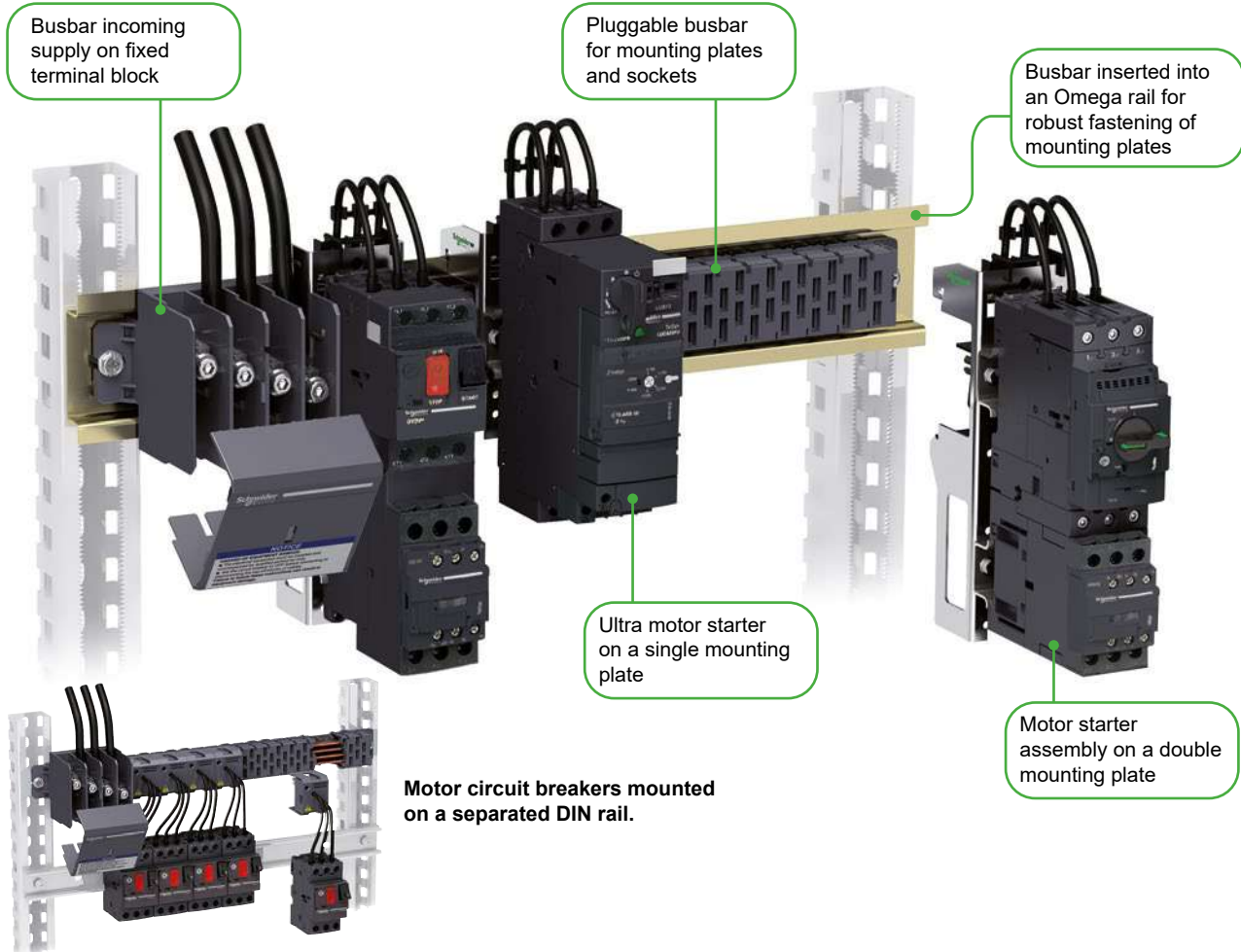
- Considerable time saving: stand alone busbar, fixed to the chassis with 2 screws
- Preserved continuity of service during modification: live connection, disconnection (off load)
- Wide adaptability: 6 busbar lengths from 344 to 1100 mm, 12 models of sockets
- Multi standard: conform to IEC and UL standards

Detailed view: pre cabled socket

- The assembling process and the technological choices ensure a long-lasting reliability
- Each wire is welded on a spring clip providing robustness to the socket and vibration resistant contacts



When compactness and continuity of service are required

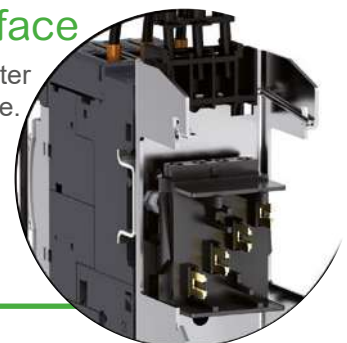


Advantages

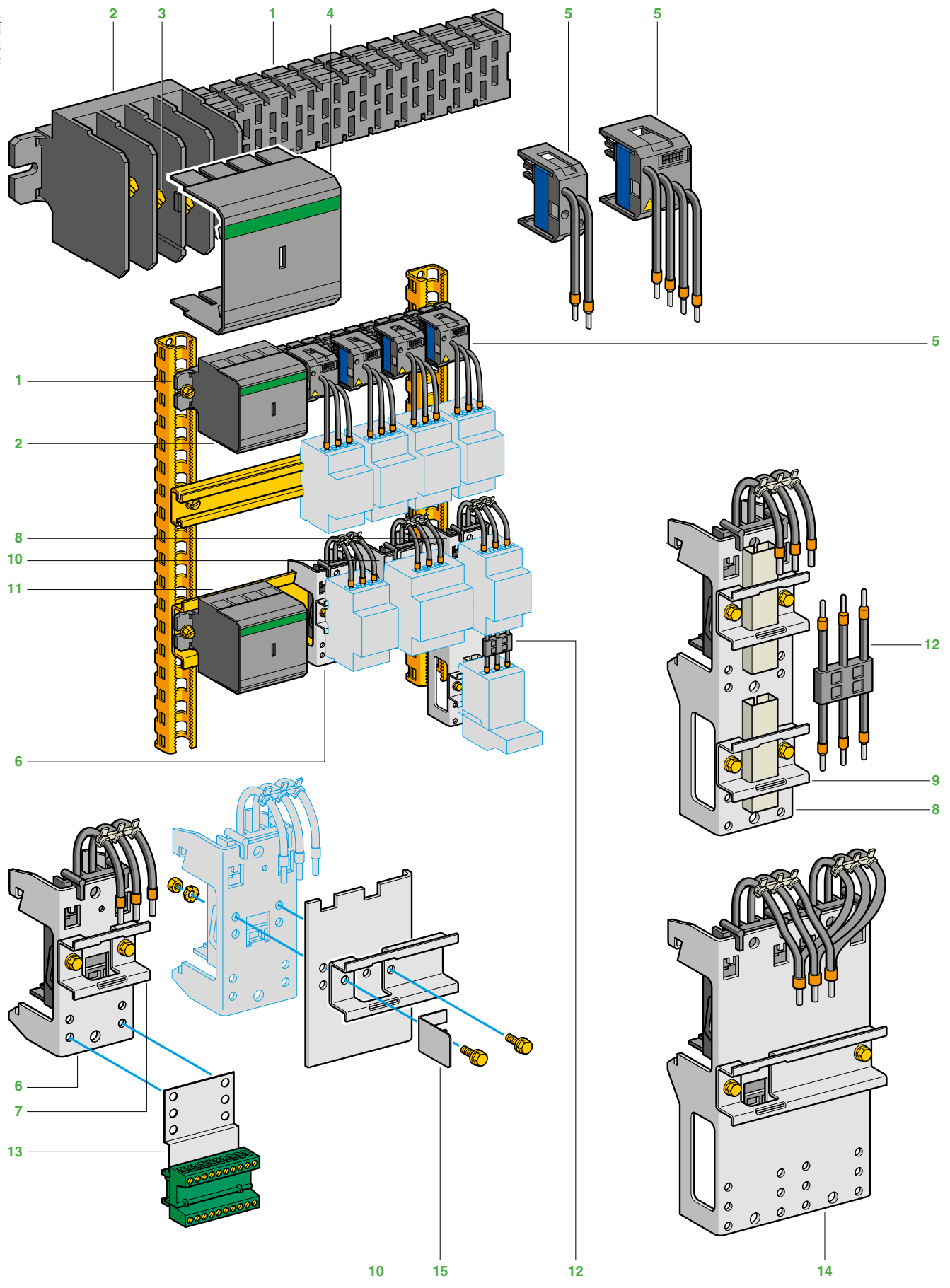
- Space saving in compact enclosures: the total volume is reduced to that of the motor starter assemblies
- Preserved continuity of service during modification and maintenance: live connection, disconnection (off load)
- Wide adaptability: 6 busbar lengths from 344 to 1100 mm, 12 models of sockets, 23 mounting plates for motor starters up to 25 or 50 A
- Multi standard: conform to IEC and UL standards

Detailed view: mounting plate back face

- Thanks to the plug and its pre-cabled wires the motor starter is safely assembled in the workshop, for immediate or later use.
- A piece of DIN profile rail is attached on the front face of the mounting plate for fastening the components.
- The metal mounting plate ensures a rigid and robust fastening on the omega rail.



DB404140 eps





References:
p. B1/14 to B1/16

Characteristics:
p. B1/20 to B1/21

Dimensions:
p. B1/22 to B1/23

The assembly of automated control and distribution panels requires the use of products that are not only safe but also simple and quick to mount and cable.

The Linergy HK pre-assembled busbar system meets all these criteria by incorporating prefabricated components which cater for 3 principal functions:

Carrying of electric current

By the pre-assembled 4-pole busbar system **1**, 160 A at 35 °C.

4-pole busbars can be used for 3-phase + Neutral or 3-phase + Common.

The busbars are available in 6 lengths: 344, 452, 560, 668, 992, 1100 mm.

An incoming supply terminal block **2** is located at the extreme left of the busbar.

"Knock-out" partitions allow connection of the power supply from above or below to connectors **3** which are protected by a removable cover **4**. Upstream protection of the busbar is shown on page B1/20.

Current distribution

Tap-off units **5** (factory assembled) are available in 4 versions:

- 2-pole,
- 3-pole,
- 4-pole (3-phase + Neutral),
- 4-pole (3-phase + Common).

The tap-offs clip onto the busbar with instantaneous mechanical and electrical connection to the busbars.

2 ratings are available: 16 and 32 A.

The tap-off units ensure not only rapid mounting, but also a neat appearance for the power distribution system and complete safety when accessing under live circuit conditions.

Component mounting

Component mounting plates with incorporated tap-off allow mounting of and supply of power to components.

They are available in 25 A or 50 A ratings.

These mounting plates clip onto the mounting rail **11**, which also supports the busbar, and at the same time make electrical connection via the incorporated tap-off.

2 types of mounting plate are available:

- single plates **6** (height 105 mm), with bolt-on 35 mm wide rail **7**, which may be bolted on in one of two positions, allowing height adjustment of 10 mm.
- double plates **8** and **14** (height 190 mm), with two bolt-on, 35 mm wide rails **9** mounted on 100 mm fixing centres; each rail may be bolted on in one of 4 positions, allowing height adjustment in 10 mm steps. These plates are supplied with connectors **12** to allow wiring between control and protection devices.

Single mounting plates enable the following types of distribution:

- 2-pole (Ph + N) and (Ph + Ph)
- 3-pole,
- 4-pole (3 Ph + N or 3 Ph + common).

Double mounting plates enable the following types of distribution: 2-pole (Ph + N, Ph + Ph), 3-pole or 4-pole (3Ph+N and 3Ph + common).

Extension plates **10** can be bolted onto single and double mounting plates to enable mounting of wider components. Using a side stop **15** in conjunction with these extension plates also supports the Linergy HK busbar when used vertically.

A control terminal block **13** comprising a support plate bolted onto the single or double mounting plates and a 10-pole plug-in block, enables connection of the control circuit wires (c.s.a. 1.5 mm² max).

Linery BZ, HK Busbar systems

Linery HK

Product references



Description:
p. B1/13

Characteristics:
p. B1/20 to B1/21

Dimensions:
p. B1/22 to B1/23

Power busbar systems

PB112410_Reps



AK5JB1pp

Busbars

The busbars can be screw-mounted onto any type of support. However, if it is to be used in conjunction with component mounting plates incorporating a tap-off, it is essential that it is mounted on the AM1DL201 rail.

When mounting tap-offs, the rated operational current of the busbar should be taken into account: 160 A at 35 °C.

Number of conductors	Number of tap-offs at 18 mm intervals	Length	Suitable for mounting in enclosure width	Reference	Weight
		mm	mm		
4 ⁽¹⁾	12	344	600	AK5JB143	0.700
	18	452	800	AK5JB144	0.900
	24	560	800	AK5JB145	1.100
	30	668	800	AK5JB146	1.300
	48	992	1200	AK5JB149	1.900
	54	1100	1200	AK5JB1410	2.100

Removable power sockets

Use	Number of points used on the busbar system		Thermal current	Cable lengths	Min. order qty	Unit reference	
	Width	A	A	mm			
Single-phase + Neutral	1	9 mm	16	200	6 ⁽²⁾	AK5PC12	
			32	1000	6 ⁽²⁾	AK5PC32L	
2-phase	1	18 mm	16	200	6 ⁽³⁾	AK5PC12PH	
			32	1000	6 ⁽³⁾	AK5PC32LPH	
3-phase	2	18 mm	16	200	6	AK5PC13	
				32	250	6	AK5PC33
				1000	6	AK5PC33L	
3-phase + Neutral	2	18 mm	16	200	6	AK5PC14	
				32	250	6	AK5PC34
				1000	6	AK5PC34L	
3-phase + common	2	18 mm	16	200	6	AK5PC131	
			10 (common)	32	250	6	AK5PC331
			10 (common)				

(1) 4-pole: 3-phase + Neutral or 3-phase + Common.

(2) Total of 6 sockets supplied: 2 sockets (N + L1), 2 sockets (N + L2), 2 sockets (N + L3).

(3) Total of 6 sockets supplied: 2 sockets (L1 + L2), 2 sockets (L1 + L3), 2 sockets (L2 + L3).

PB112411_Reps



AK5PC12

PB112412_Reps



AK5PC14

Linery BZ, HK Busbar systems

Linery HK

Product references



Description:
p. B1/13

Characteristics:
p. B1/20 to B1/21

Dimensions:
p. B1/22 to B1/23

PB112407_Reps



AK5PA241

PB112408_Reps



AK5PA242

PB500864_Reps



AM1DL201

Power
busbar
systems

Component mounting plates incorporating tap-off

Single plate (height 105 mm). Compatible devices: GV2●●● / LUB●●●.

Use	No. of 18 mm points used on the busbar system	Phase	Thermal current	Number of L rails for component support	Min. order qty	Reference
A						
Single-phase + neutral	3 (54 mm width)	Ph1+N	25	1	1	AK5PA211N1
		Ph2+N	25	1	1	AK5PA211N2
		Ph3+N	25	1	1	AK5PA211N3
2-phase	3	Ph1+Ph2	25	1	1	AK5PA211PH12
		Ph1+Ph3	25	1	1	AK5PA211PH13
		Ph2+Ph3	25	1	1	AK5PA211PH23
3-phase	3	–	25	1	1	AK5PA231
3-phase + common	3	–	25	1	1	AK5PA2311
3-phase + neutral	3	–	25	1	1	AK5PA241

Double plate (height 190 mm). Compatible devices: GV2●●● + LC1D●●●.

Prefabricated 25 A connectors are supplied for connecting the 2 protection and control devices.

Single-phase + neutral	3	Ph1+N	25	2	1	AK5PA212N1	
		Ph2+N	25	2	1	AK5PA212N2	
		Ph3+N	25	2	1	AK5PA212N3	
3-phase	3	–	25	2	1	AK5PA232	
		6 (108 mm width)	–	25	2	1	AK5PA232S
			–	50	1	1	AK5PA532
3-phase + neutral	3	–	25	2	1	AK5PA242	
3-phase + common	3	–	25 (10 common)	2	1	AK5PA2312	
		6	–	25 (10 common)	2	1	AK5PA2312S
			–	50 (10 common)	1	1	AK5PA5312
3-phase + neutral	6	–	50	1	1	AK5PA542	

Omega rail, width 75 mm

This rail is designed to accommodate the busbar system when it is used with Linery HK mounting plates incorporating tap-offs. It supports the busbar system. The plates simply clip onto the rail.

Material and surface treatment	Depth	Length	Min. order qty	Reference	Weight
	mm	mm			kg
2 mm sheet steel	15	2000 ⁽⁴⁾	6	AM1DL201	3.000



Description:
p. B1/13

Characteristics:
p. B1/20 to B1/21

Dimensions:
p. B1/22 to B1/23

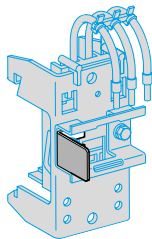
Power
busbar
systems

PB112404.eps



AK5BT01

DF522689.eps



PB112415.eps



AK5SB1

Extension plates

These plates bolt onto the equipment support plates, after having removed them from the rails, to be able to mount wider components.

Use		Number of tap-offs at 18 mm intervals	Reference
For mounting plates incorporating tap-off	Single	4	AK5PE17
	Double	4	AK5PE27

Side stop (AK5JB mounted vertically)

Use	Set of	Reference
For extension plate (for AK5PA●●●)	50	AK5BT01

Control terminal blocks

Description	Thermal current A	Set of	Reference
10-pole terminal blocks, for screwing onto plate AK5 PA●●●	10	10	AK5SB1

Note:

- if the equipment is wider than the mounting plate, an extension plate can be used to increase the width of the support plate.
- for upstream protection, see page B1/20.

Lineryg BZ, HK

Technical Data for Designers

Contents

Lineryg BZ:

- > characteristics B1/18
- > curves B1/19

Lineryg HK:

- > characteristics B1/20 and B1/21
- > dimensions B1/22 and B1/23

Linergy BZ, HK Busbar systems

Linergy BZ

Characteristics



Description:
p. B1/5

References:
p. B1/6 to B1/9

Curves:
p. B1/19

Power
busbar
systems



LA9ZX01495



LA9ZX01485



LA9ZX01508

General characteristics

		LA9ZX01495 and LA9ZX01485 (IEC 6.439-1)							
Bar dimensions compatibility	mm	12 x 5	15 x 5	20 x 5	25 x 5	30 x 5	12 x 10	20 x 10	30 x 10
Max. rated operating current	A	200	250	320	400	450	360	520	630
Min. peak permissible rated current	kA	30	30	30	30	45	35	35	53
Distance max. between 2 busbars supports	mm	570	570	570	570	570	570	570	570
Degree of protection	IP	20 (with cover LA9ZX01244 or LA9ZX01245)							
Thermal resistance	°C	125							
Rated current frequency	Hz	50/60							
Rated insulation voltage	V	690							
Rated operating voltage	V	690							
		LA9ZX01508 (UL) 508 A							
Bar dimensions compatibility	mm	12 x 5	20 x 5	30 x 5	12 x 10	20 x 10	30 x 10		
Rated operating current	A	150	362	500	300	564	630		
I _{eff} (RMS) surge current	kA	18	18	22 - 25	18	18	22 - 25		
SCCR (protected by Compact NSX circuit breaker)	kA	65	-	-	65	-	-		
250 A 480 V AC		25	-	-	25	-	-		
250 A 600 V AC		-	65	65	-	65	65		
400 A 480 V AC		-	35	35	-	35	35		
400 A 600 V AC		-	-	65	-	-	65		
500 A 480 V AC		-	-	35	-	-	-		
600 A 600 V AC		-	-	50	-	-	50		
600 A 480 V AC		-	-	25	-	-	25		
600 A 600 V AC		100	100	100	100	100	100		
SCCR (protected by fuses Class J or T ...)	kA	-	-	100	-	-	100		
400 A 480 V AC		-	-	100	-	-	100		
500 A 480 V AC		-	-	100	-	-	100		
500 A 600 V AC									
Distance max. between 2 busbars supports (busbar protected)	mm	400	800	800	400	800	800		
Degree of protection	IP	20 (with cover LA9ZX01244 or LA9ZX01245)							
Thermal resistance	°C	125							
Rated current frequency	Hz	50/60							
Rated operating voltage	V	600							

Linergy BZ, HK Busbar systems

Linergy BZ

Curves

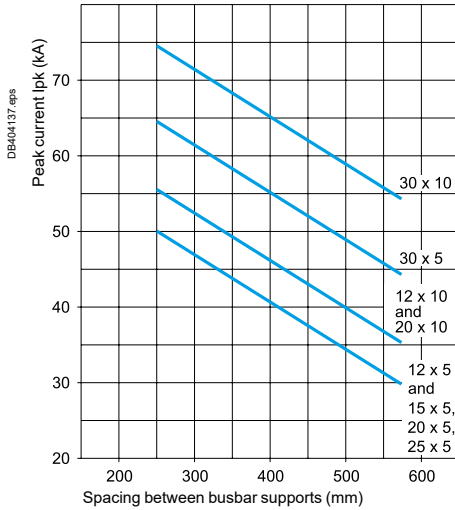


Description:
p. B1/5

References:
p. B1/6 to B1/9

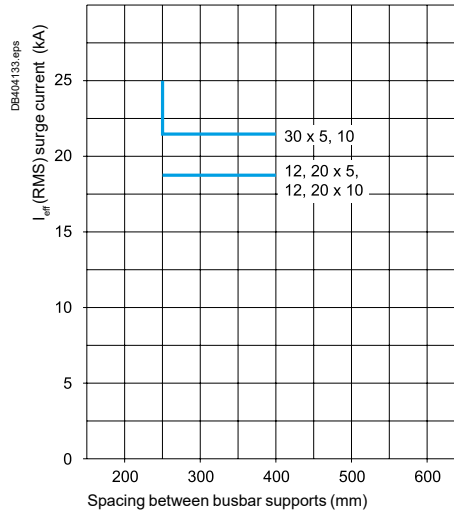
Characteristics:
p. B1/18

Determining the spacing between busbar supports (LA9ZX01495 and LA9ZX01485), according to IEC 61439-1 ⁽¹⁾



(1) Depending on the short-circuit current.

Short-circuit strength diagram according to UL845 (LA9ZX01508)



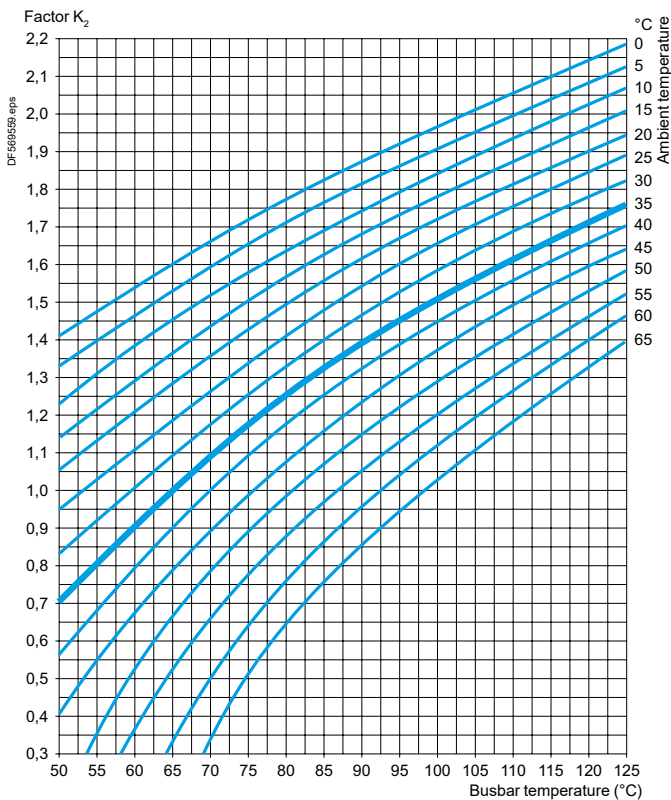
Power busbar systems

Load resistance of busbar assemblies in IEC applications

For an ambient temperature of 35 °C and a busbar temperature of 65 °C

Cross section	mm ²	12 x 5	15 x 5	20 x 5	25 x 5	30 x 5	12 x 10	20 x 10	30 x 10
Permissible current	A	200	250	320	400	450	360	520	630

In the event of changes in climatic conditions, the following curve indicates the correction factor K_2 to be applied.



Example: In normal operating conditions, a tinned busbar of 30 x 10 can permanently withstand 630 A.

For a load of 800 A, the correction factor K_2 to be applied will be 1.3 ($\frac{800}{630}$). As a result, the temperature rise in the busbars will reach 82.5 °C.

Lineryg BZ, HK Busbar systems

Lineryg HK

Characteristics



Description:
p. B1/13

References:
p. B1/14 to B1/16

Dimensions:
p. B1/22 to B1/23

Power
busbar
systems

Busbar system characteristics								
Conforming to standards		IEC 60439						
Product certifications		UL, CSA, DNV, LROS						
Degree of protection	Against access to live parts	IP XXB conforming to IEC 60529						
Flame resistance	Conforming to IEC 60695	°C	850 (incandescent wire)					
	Conforming to standard UL 94		V0					
Number of conductors	AK5JB14●		4					
Supply current			~					
Rated operational frequency		Hz	50 or 60					
Rated operational current	Ambient temperature 35 °C	A	160					
	Coefficient K to be applied according to the ambient temperature	°C	35	40	45	50	55	60
		K	1	0.96	0.92	0.88	0.83	0.78
Rated insulation voltage	Conforming to IEC 60439-1	V	690					
	Conforming to UL and CSA	V	600					
Operational voltage			Off-load plugging-in and unplugging, with supply switched on					
	Conforming to IEC 60439-1	V	400					
	Conforming to UL, CSA	V	480					
			Plugging-in and unplugging, with supply switched off					
	Conforming to IEC 60439-1	V	690					
	Conforming to UL, CSA	V	600					
Maximum permissible peak current		kA	25					
Maximum let-through energy		A²s	1 x 10 ⁷					
Upstream short-circuit ⁽¹⁾ and overload protection	Type of protection		Schneider Electric circuit-breaker		Fuses			
			NSX 160 N	NSX 160 H	aM	gF		
	Rating	A	160	160	160	160		
	Prospective short-circuit current	kA	36	70	100	100		
	Operational current	A	160	160	160	160		
	Cabling			Maximum c.s.a.		Minimum c.s.a.		
Flexible cable with cable end		mm ²	70		2.5			
Solid cable		mm ²	70		2.5			
Tightening torque		Nm	10					
Mounting position	Horizontal or vertical ⁽²⁾		Fixing with screws provided					

(1) For conditions where conditional short-circuit current exceeds 25 kA.

(2) Using side stop AK5BT01 on mounting plates AK5PA.

Linery BZ, HK Busbar systems

Linery HK

Characteristics



Description:
p. B1/13

References:
p. B1/14 to B1/16

Dimensions:
p. B1/22 to B1/23

Tap-off characteristics												
Type		AK5 PC12	AK5 PC12PH	AK5 PC13	AK5 PC14	AK5 PC131	AK5 PC32L	AK5 PC32LPH	AK5 PC33 PC33L	AK5 PC34 PC34L	AK5 PC331	
Conforming to standards		IEC 60439										
Product certifications		UL, LROS, CSA, DNV										
Degree of protection		Against access to live parts: IP XXB conforming to IEC 529										
Polarity		Phase + Neutral	Phase + Phase	3-phase	3-phase + Neutral	3-phase + Common	Phase + Neutral	Phase + Phase	3-phase	3-phase + Neutral	3-phase + Common	
Conductor c.s.a. (UL cables)	mm ²	2 x 2.5	2 x 2.5	3 x 2.5	4 x 2.5	3 x 2.5 1 x 1.5	2 x 4	2 x 4	3 x 4	4 x 4	3 x 4 1 x 1.5	
Conductor colours		Black Blue (Neutral)	Black	Black	Black Blue (Neutral)	Black White	Black Blue (Neutral)	Black	Black	Black Blue (Neutral)	Black White (Common)	
Permissible current	A	16	16	16	16	16 10 (Common)	32	32	32	32	32 10 (Common)	
Rated insulation voltage	V	690 conforming to IEC 60439-1										
Rated peak current	kA	6										
Maximum let-through energy	A ² s	100 000					200 000					
Type of conductor insulation		PVC 105 °C										

Power
busbar
systems

Tap-off characteristics									
Type		AK5 PA211N1 PA211N2 PA211N3 PA212N1 PA212N2 PA212N3	AK5 PA211PH12 PA211PH13 PA211PH23 PA212PH12 PA212PH13 PA212PH23	AK5 PA231 PA232 PA232S	AK5 PA241 PA242	AK5 PA2311 PA2312 PA2312S	AK5 PA532	AK5 PA542	AK5 PA5312
Conforming to standards		IEC 60439							
Product certifications		UL, LROS, CSA, DNV							
Degree of protection		Against access to live parts: IP XXB conforming to IEC 60529							
Polarity		Phase + Neutral	Phase + Phase	3-phase	3-phase + Neutral	3-phase + Common	3-phase	3-phase + Neutral	3-phase + Common
Conductor c.s.a. (UL cables)	mm ²	2 x 4	2 x 4	3 x 4	4 x 4	3 x 4 1 x 1.5	2 x (3 x 4)	2 x (4 x 4)	2 x (3 x 4) 1 x 1.5
Permissible current	A	25	25	25	25	25 10 (Common)	50	50	50 10 (Common)
Rated insulation voltage	V	690 conforming to IEC 60439-1							
Rated peak current	kA	6							
Maximum let-through energy	A ² s	200 000							
Type of conductor insulation		PVC 105 °C							

Characteristics of mounting rails AM1DL201	
Type	Omega (width 75 mm, depth 15 mm)
Material	2 mm sheet steel
Surface treatment	Galvanized

Linery BZ, HK Busbar systems

Linery HK

Dimensions



Description:
p. B1/13

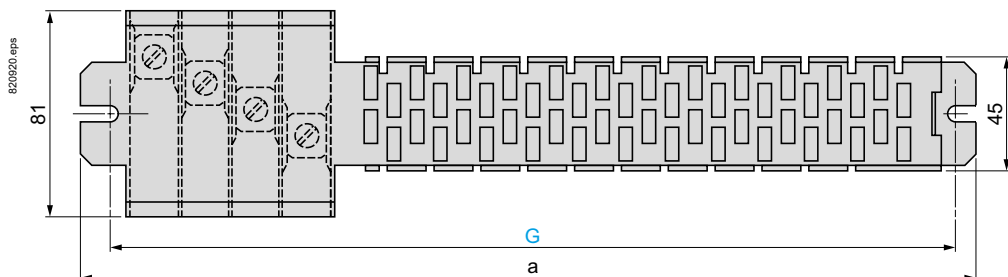
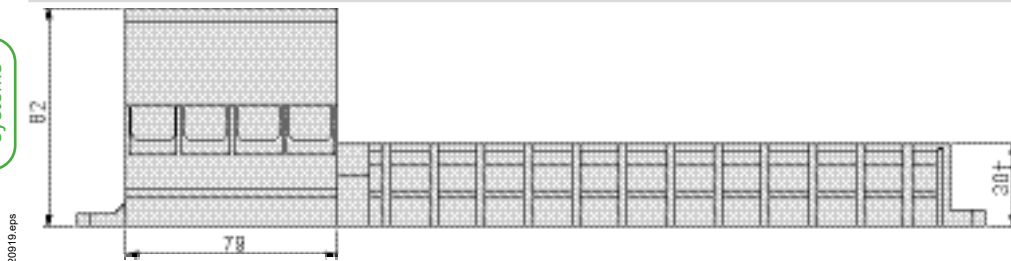
References:
p. B1/14 to B1/16

Characteristics:
p. B1/20 to B1/21

Power busbar systems

Busbars

AK5JB●●●

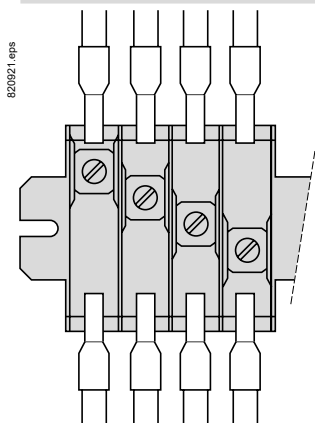


AK5	a	G	No. of 18 mm points
JB143	344	330	12
JB144	452	438	18
JB145	560	546	24
JB146	668	654	30
JB149	992	978	48
JB1410	1100	1086	54

Busbar feed units

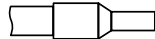
AK5JB●●●

Installation of AK5JB●●● busbar systems



Connection

Flexible cable with or without cable end



C.s.a. in mm²
min max

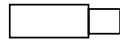
1 x 2.5 1 x 70⁽¹⁾
2 x 2.5 2 x 35

Flexible bar



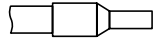
– 2 x (9 x 4)

Flexible bar



9 x 4 9 x 4
+ +
1 x 2.5 1 x 35

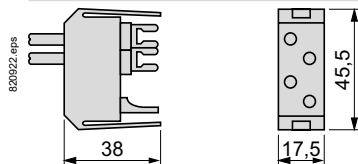
+ flexible cable with or without cable end



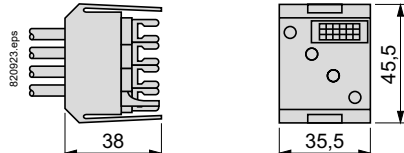
(1) Maximum c.s.a. or connection of conductor without cable end.

Removable power sockets 16 and 32 A

AK5PC12●. AK5PC32L●

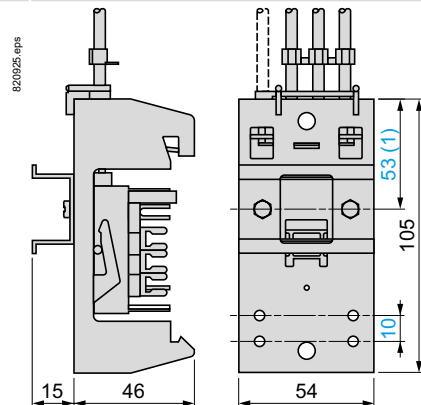


AK5PC●3. AK5PC33L AK5PC●4. AK5PC34L AK5PC●31



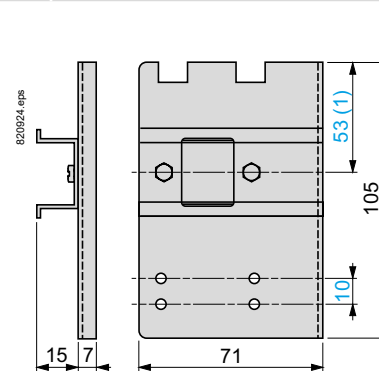
Mounting plates incorporating tap-offs, 25 A

AK5PA2●1. AK5PA2311. AK5PA211●●●●



Single width extension plates

AK5PE17



Note: It is recommended that the power sockets or the removable plates are connected as close as possible to the busbar feed unit.

(1) Can be fixed at 43 mm.

Linergy BZ, HK Busbar systems

Linergy HK

Dimensions

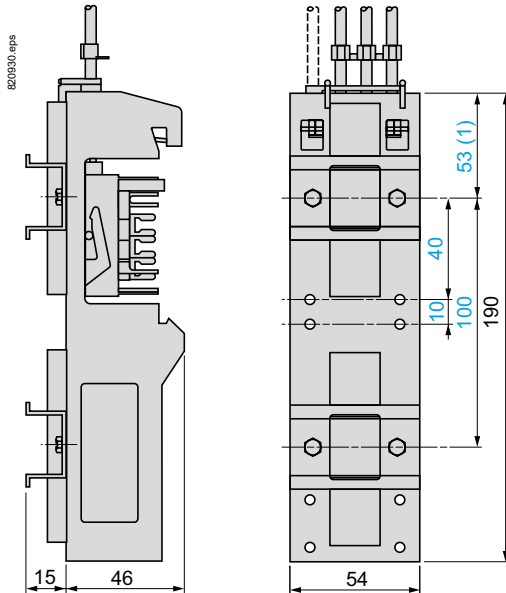


Description:
p. B1/13

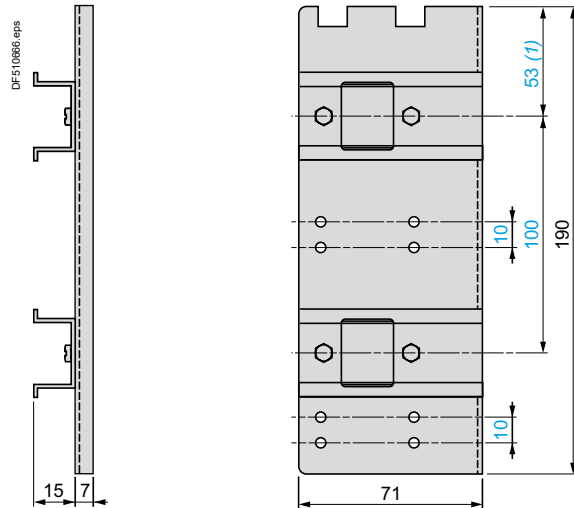
References:
p. B1/14 to B1/16

Characteristics:
p. B1/20 to B1/21

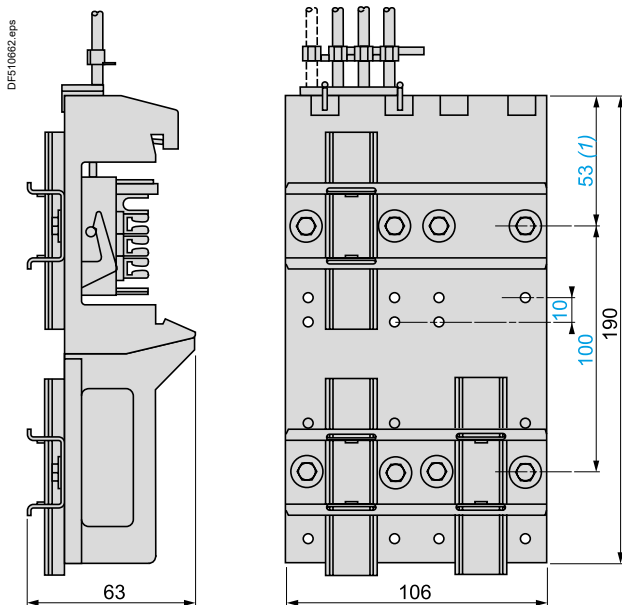
Component mounting plates incorporating tap-off AK5PA232. AK5PA2312. AK5PA242



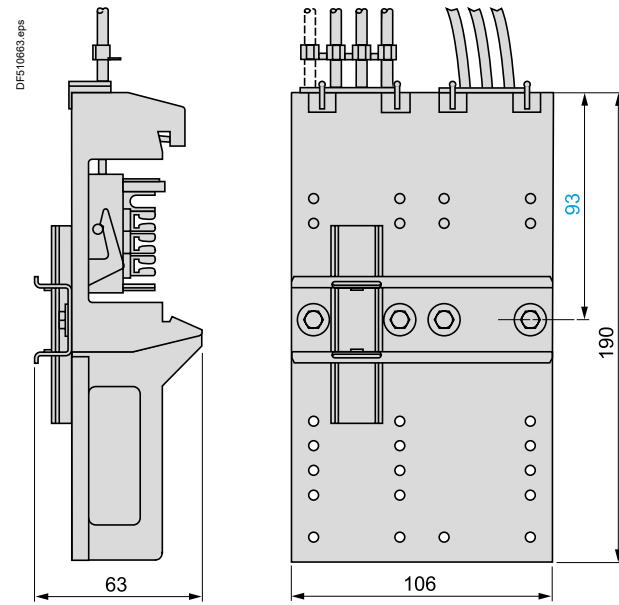
Double extension plate AK5PE27



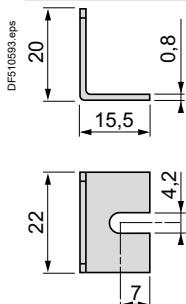
Component mounting plates incorporating tap-off AK5PA232S. AK5PA2312S



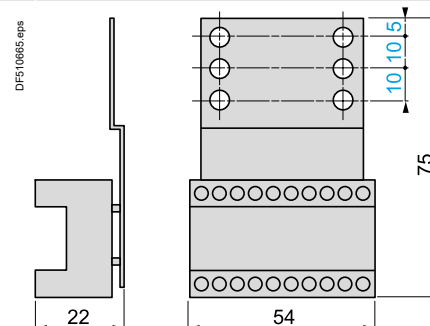
AK5PA532. AK5PA5312. AK5PA542



Side stop AK5BT01

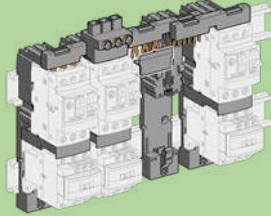
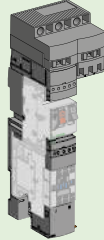



Control terminal block AK5SB1



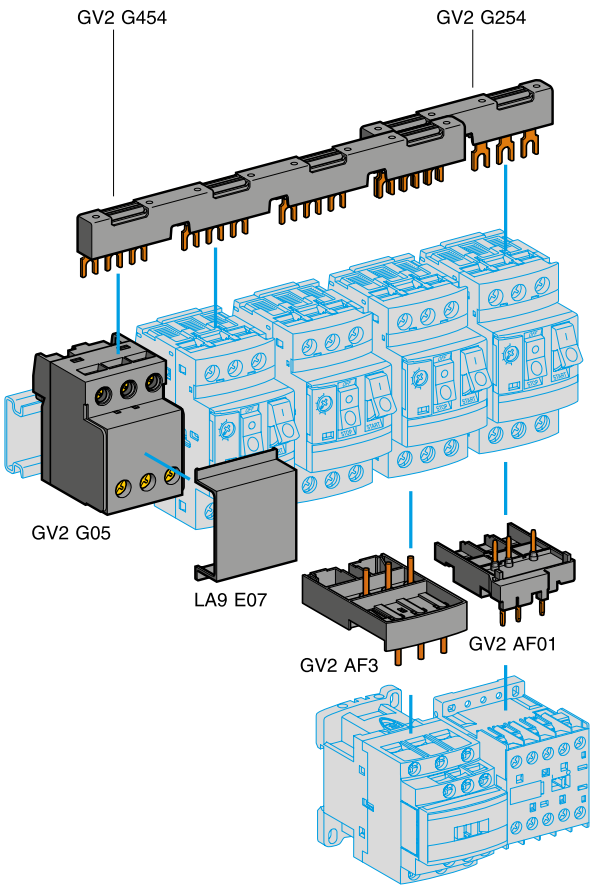
(1) Can be fixed at 43 mm.

Power
busbar
systems

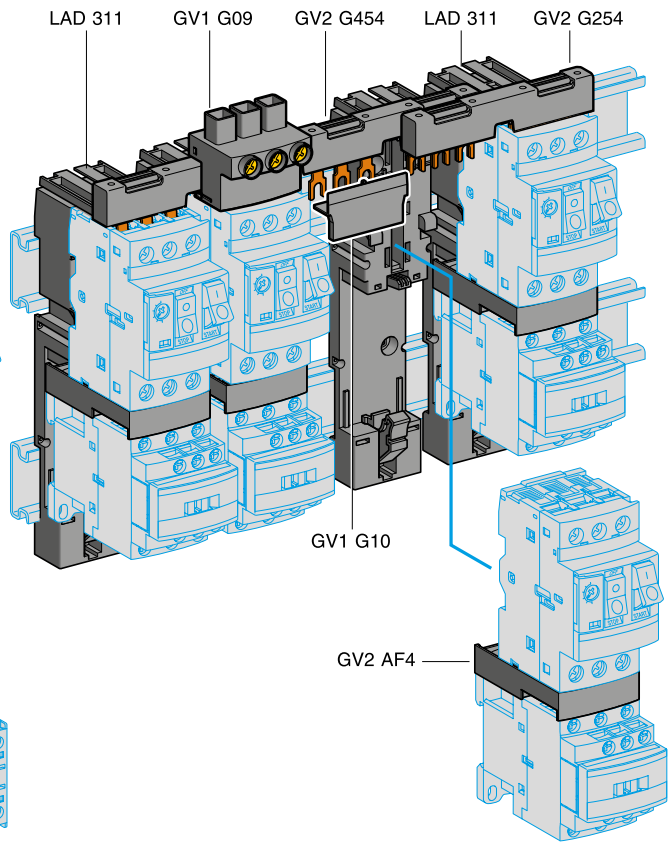
Power wiring systems for motor starters	
Type of product	Pages
<p>Power wiring system for motor starter assemblies: screw clamp connection</p> 	B2/2
<p>Power wiring system for motor starter assemblies: spring terminals connection</p> 	B2/4
RJ45 Control wiring systems for motor starters	
<p>Motor starters-to-PLC Control wiring architectures Selection tables</p>	B2/6
<p>RJ45 connection module for Ultra motor starter Pluggable</p> 	B2/8

Wiring systems

Group of circuit breakers directly mounted on DIN rail



Group of circuit breakers + contactors mounted on adapter plates



TeSys Control

Power wiring system for Deca motor starter assemblies

Product references



Dimensions:
p. B2/13

This system is convenient when time and space savings are required.

The motor starter can be composed of:

- Deca Frame 2 (GV2) circuit breaker + Deca (LC1D) contactor.

Upstream busbars and terminals

Description	Application	Pitch (mm)	Unit reference
Sets of 3-pole 63 A busbars	2 tap-offs	45	GV2G245
		54	GV2G254
		72	GV2G272
	3 tap-offs	45	GV2G345
		54	GV2G354
	4 tap-offs	45	GV2G445
		54	GV2G454
		72	GV2G472
	5 tap-offs	54	GV2G554
Description	Application	Sold in lots of	Unit reference
Terminal block for supply to one or more GV2G busbar sets	Connection from the top	1	GV1G09
	Can be fitted with current limiter GV1L3 (GV2ME and GV2P)	1	GV2G05
Cover for terminal block	For mounting in modular panels	10	LA9E07
Protective end cover	For unused busbar outlets	5	GV1G10

Wiring systems

Assembling components

Description	Application	Sold in lots of	Unit reference
Combination blocks	Between GV2 and contactor LC1K or LP1K ⁽¹⁾	10	GV2AF01
	Between GV2 and contactor LC1D09...D38 ⁽¹⁾	10	GV2AF3
	Between GV2 mounted on LAD311 and contactor LC1D09...D38	10	GV2AF4
Adapter plates	For mounting a GV2ME and contactor LC1D09...D38 with front faces aligned	1	LAD311
Height compensation plate	7.5 mm	10	GV1F03

⁽¹⁾ Ensures both the connection and a rigid support to the contactor. No extra fixing mean required.

Accessories

Description	Application	Sold in lots of	Unit reference
Adapter plates	For mounting a GV2 by screw fixing	10	GV2AF02
Motor starter adapter plate	For mounting a GV2 and a contactor LC1D09...D25. Item delivered with a GV1G02 flexible connection	1	GK2AF01
Flexible 3-pole connection for connecting a GV2 to a contactor LC1-D09...D25	Centre distance between mounting rails: 100...120 mm	10	GV1G02
Incoming line spacer for UL 508 Type E applications	For GV2P (except 32 A)	1	GV2GH7
Clip-in marker holders (supplied with each circuit breaker)	For GV2 P, GV2L, GV2LE and GV2RT (8 x 22 mm)	100	LA9D92

PB111872.eps



GV2AF02

PB111907.eps



GK2AF01

PB111869.eps

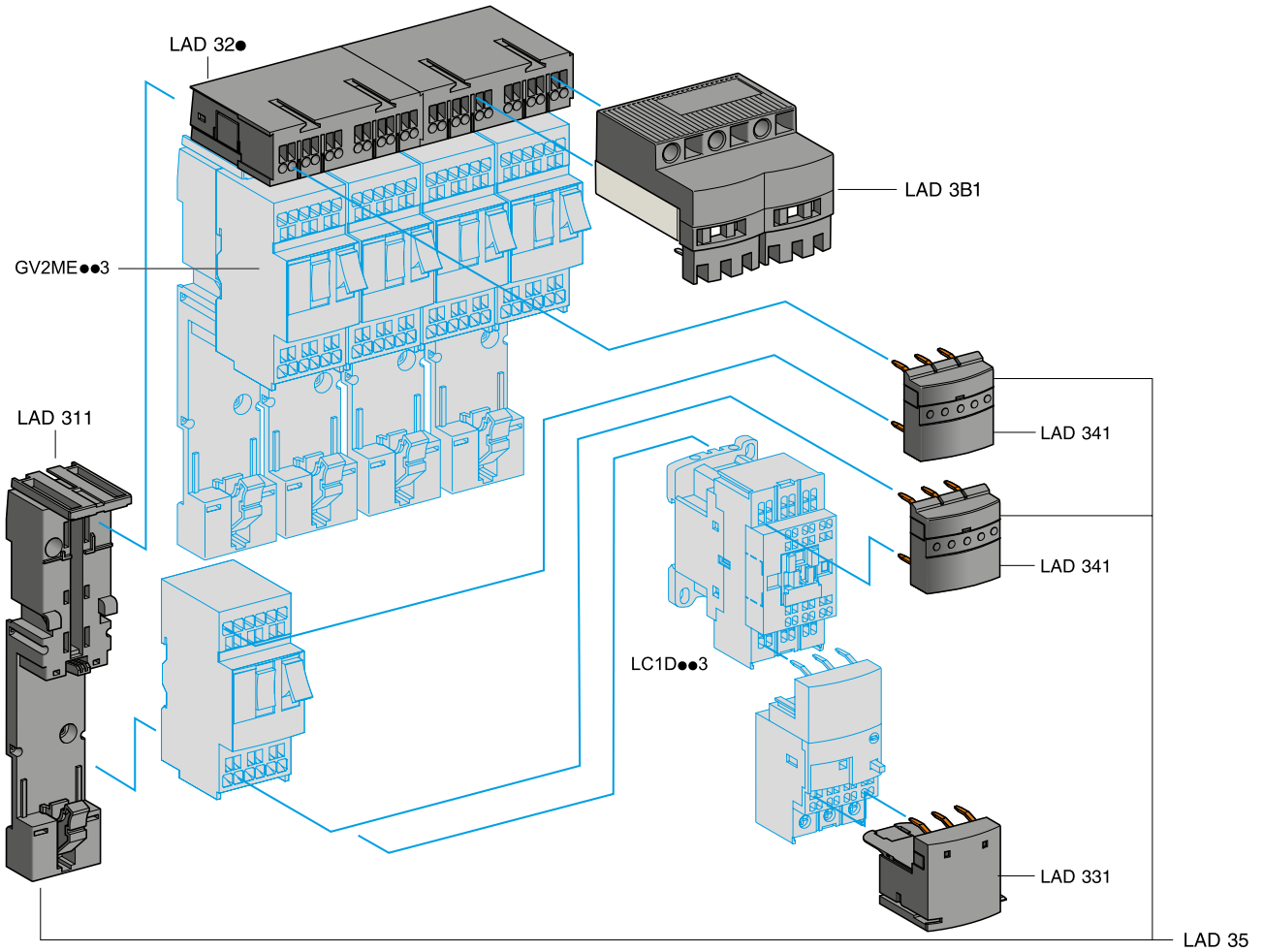


GV1G02

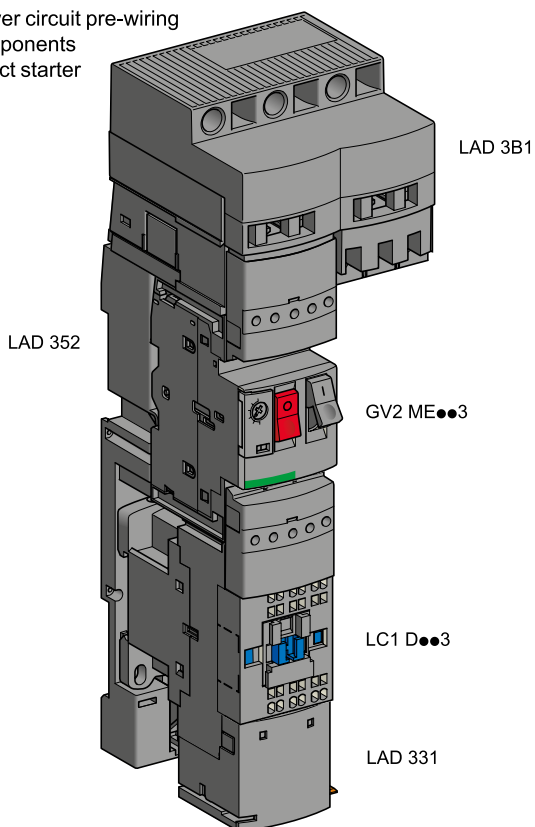
Group of circuit breakers + contactors mounted on adapter plates

DB438737-new.eps

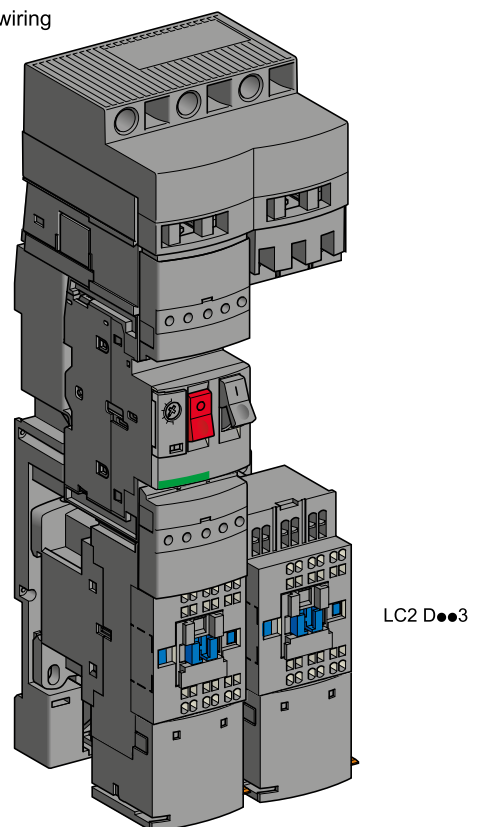
Wiring systems



Power circuit pre-wiring components
Direct starter



Power circuit pre-wiring components
Reversing starter



TeSys Control

Power wiring system for motor starter assemblies

Product references



Dimensions:
p. B2/12

This system is convenient when time and space savings are required.
The motor starter can be composed of:

- Deca Frame 2 (GV2) circuit breaker + Deca (LC1D) contactor

Upstream terminal and splitter blocks

Description	Maximum connection c.s.a.	Application	Sold in lots of	Reference
Upstream terminal block	16 mm ²	Power supply of 1 or 2 power splitter boxes	1	LAD3B1
Description	Extension by	Number of starters		Reference
Power splitter box, 60 A	LAD32●	2	1	LAD322
		4	1	LAD324



LAD3B1



LAD324

Assembling components

Description	Composition	Sold in lots of	Reference
Plate for mounting a GV2ME circuit breaker and a contactor	For 1 starter	10	LAD311
Power connection module	For 1 starter	10	LAD341
Power connection kit for direct starter ⁽¹⁾	1 plate LAD311 for GV2ME and 2 power connection modules LAD341		LAD352



LAD311



LAD341

Downstream terminal and accessory

Description	Maximum connection c.s.a.	Application	Sold in lots of	Reference
Downstream terminal block	6 mm ²	Connection of motor cables	10	LAD331
Cable end reducer	-	For connection of conductors from 1 to 1.5 mm ²	20	LAD99



LAD331

⁽¹⁾ To build a reversing starter, order 2 kits LAD352.

TeSys Control

Motor starter-to-PLC control wiring architectures

Selection table

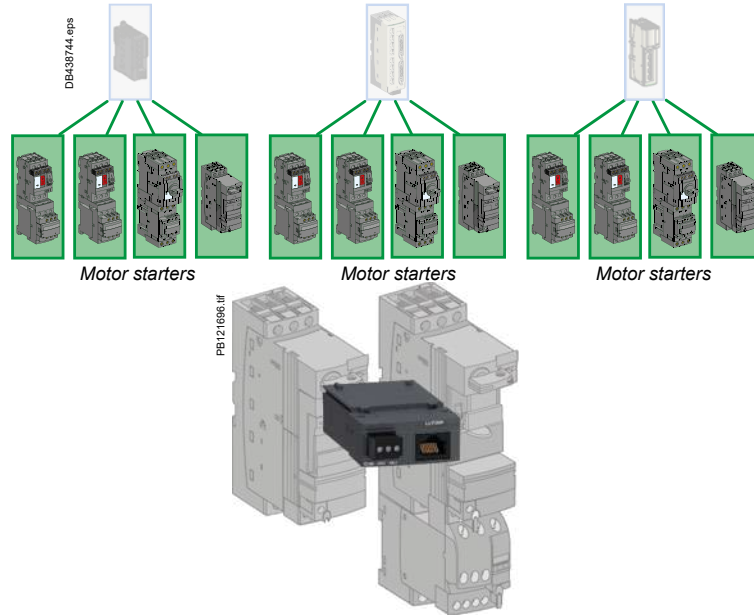
Wiring systems

Product type	Connection interfaces for a group of motor starters		
IO system name	Modicon TM3	Modicon Telefast	Modicon STB
Architecture			
Application	Control of single or multiple motor-starters assemblies by mean of a logic controller. Machines or processes requiring easy, fast cabling and replacement of motor starters.		
Function	IO module: Ensures the direct connection of up to 4 motor starters to logic controller (Modicon M221, M241, M251)	Splitter box: Ensures the connection of up to 8 motor starters to a logic controller via Modicon Telefast multiwire cable	IO module: Ensures the connection of up to 4 motor starters to a logic controller via an automation island (Modicon STB distributed IO architecture)
Upstream compatibility	With Modicon M221, M241, M251 logic controller, via logic controller internal bus	With any logic controller equipped with HE10 inputs/ outputs module	With Modicon STB automation island, via automation island internal bus
Upstream connectors	Backplane bus connector	HE10 connector	Backplane bus connector
Compatibility	Motor circuit breaker - Type Contactor - Type / Amp Motor circuit breaker + Contactor - terminals All types of motor starters equipped with RJ45 connection system		
Motor control	Reversing / Non reversing		
Number of motor starters	4	8	4
Downstream connector type	RJ45		
Reference	TM3XTYS4	LU9G02 / LU9G03	STBEPI2145K *
Pages	Refer to Modicon M221/M241/ M251 catalogue	Ultra motor starters - pages B2/8 and A4/24	Refer to IP20 distributed IO Modicon STB catalogue

* STBEPI2145K: GV2 + contactor D09 to D32, Ultra only.

RJ45 connection components for motor starter

Common components for Modicon TM3, Modicon Telefast, Modicon STB systems



Wiring systems

Connection module:

ensures the compatibility Ultra motor starters to the RJ45 connection system

TM3XTYS4 / LU9G02 / LU9G03 / STBEPI2145K

RJ45

Ultra motor starters
12 to 38 A

Screw-clamp

Reversing or Non reversing

Plug-in module

LUFC00

B2/8

TeSys Control

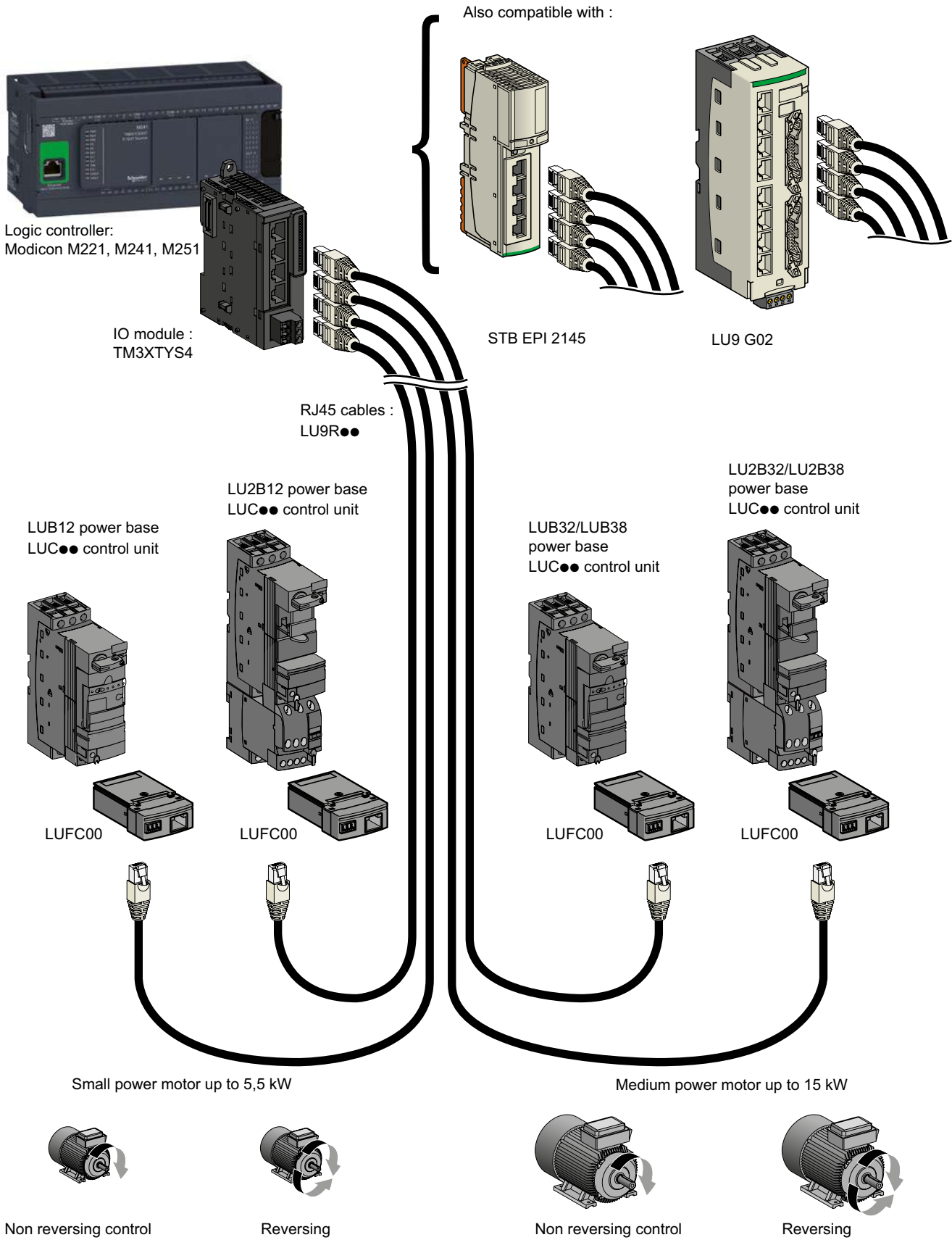
Ultra control wiring system

RJ45 wiring architecture

Description

DB459800_eps

Wiring systems



"Plug and play", for single or reversing motor starters

The LUF00 parallel connection module provides a simple and efficient solution for control and monitoring of a Ultra direct or reverse motor starter.

Compact, fast cabling

The connection to the Ultra power base is simply achieved by insertion of the module into it. The status and control signals are carried by a simple pre-connectorized RJ45 cable (LU9R●●) between an IO module or splitter box and Ultra motor starter.

Features

- On / OFF / Reverse control (functions non provided with LUB12, 32, 38 power bases).
- Handle position, power contacts position monitoring (function provided with all power bases).

Compatibility

12, 32 or 38 A direct motor starters: LUB12, LUB32 or LUB38 power base + LUC●● control unit (coil code BL), LUB120, LUB320 or LUB380 power base + LU9N11C connector + LUC●● control unit (coil code BL)

12, 32 or 38 A reversing motor starters: LU2B12, LU2B32 or LU2B38 power base + LU9MRC connector + LUC●● control unit (coil code BL).



LUF00



LU9MRC



LU9BN11C

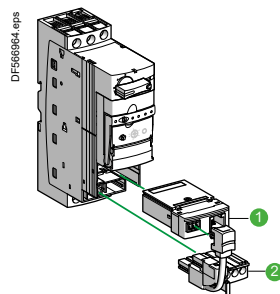
Ultra RJ45 connection module	
Designation	Commercial ref
1 Parallel wiring module	LUF00
Ultra coil connector	
Designation	Commercial ref
2 Pre wired coil connector for LUB120, LUB320 or LUB380 power base	LU9BN11C
3 Pre wired coil connector for LU2B12, LU2B32 or LU2B38 power base	LU9MRC

Design / Installation

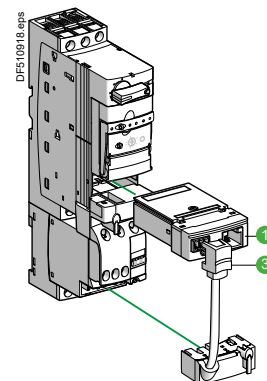
The LUF00 parallel (RJ45) connection module acts as a connection interface for controlling the coil (except with LUB12, 32, 38) and the monitoring of the auxiliary contacts. As a necessary complement, a pre wired connector is needed for carrying the signal to the coil and collecting:

- the status of the protection device (OK / Alarm) with LU9BN11C,
- the electrical interlock contacts with LU9MRC.

As the "reversing" is higher than the "direct" power base, the LU9MRC link is longer than the LU9BN11C.



Direct motor starter (LUB120, 320, 380 power base).



Reversing motor starter (LU2B12, 32, 38 power base).


TeSys Control

Wiring systems for motor starters

Product references

GV1F03	GV2GH7
GV1G02	LA9D92
GV1G09	LA9E07
GV1G10	LAD311
GV2AF01	LAD322
GV2AF02	LAD324
GV2AF3	LAD331
GV2AF4	LAD341
GV2AF5	LAD351
GV2G05	LAD352
GV2G245	LAD3B1
GV2G254	LU9BN11C
GV2G272	LU9G02
GV2G345	LU9G03
GV2G354	LUFC00
GV2G445	STBEPI2145K
GV2G454	TM3XTYS4
GV2G472	
GV2G554	

Wiring
systems

This document is current.  Click on the product reference to get the most recent availability status (hyperlink to [se.com](https://www.se.com) product datasheet).
If your product variant is no longer available, please consult your distributor or regional sales office.

Technical Data for Designers

Contents

Power wiring systems for motor starter assemblies:

- > Dimensions (GV2 + LAD311 assembly).....B2/12
- > Dimensions (GV2G●●● busbars)B2/13

IO module, splitter box, for motor starters control circuits

- > DimensionsB2/14

TeSys Control

Power wiring system for motor starter assemblies

Dimensions

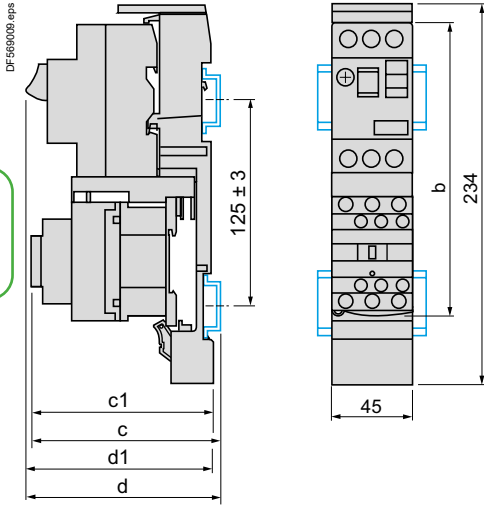


References:
p. B2/5

GV2AF4 + LAD311

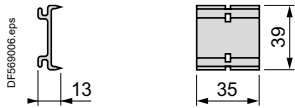
Combination GV2ME + Deca contactor

Wiring systems



GV2ME +	LC1D09...D18	LC1D25 and D32
b	176.4	186.8
c1	103.1	136.4
c	135.6	141.9
d1	107	107
d	112.5	112.5

7.5 mm height compensation plate GV1F03



TeSys Control

Power wiring system for motor starter assemblies

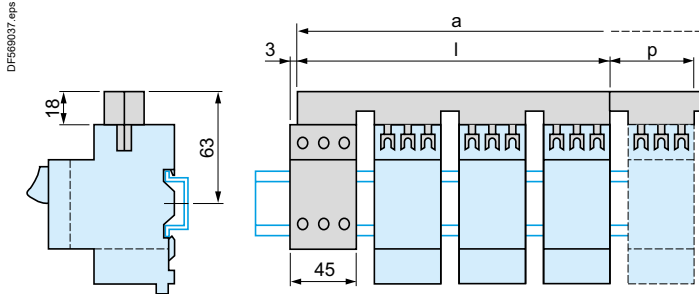
Dimensions



References:
p. B2/3

Deca Frame 2 (GV2ME, GV2P, GV2L, GV2LE)

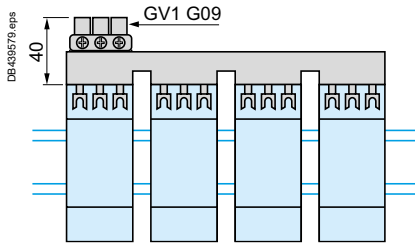
Sets of busbars GV2G445, GV2G454, GV2G472, with terminal block GV2G05



	l	p
GV2G445 (4 x 45 mm)	179	45
GV2G454 (4 x 54 mm)	206	54
GV2G472 (4 x 72 mm)	260	72

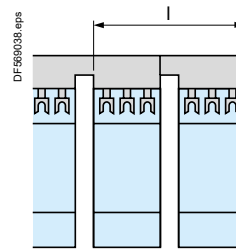
Number of tap-offs	a			
	5	6	7	8
GV2G445	224	269	314	359
GV2G454	260	314	368	422
GV2G472	332	404	476	548

Sets of busbars GV2G●●● with terminal block GV1G09

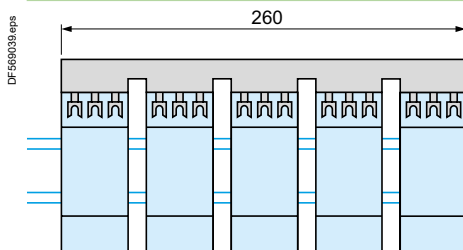


	l
GV2G245 (2 x 45 mm)	89
GV2G254 (2 x 54 mm)	98
GV2G272 (2 x 72 mm)	116

Sets of busbars GV2G245, GV2G254, GV2G272

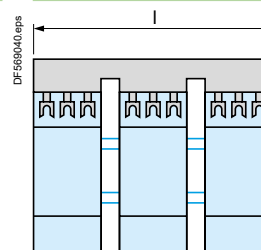


Sets of busbars GV2G554



	l
GV2G345 (3 x 45 mm)	134
GV2G354 (3 x 54 mm)	152

Sets of busbars GV2G345 and GV2G354



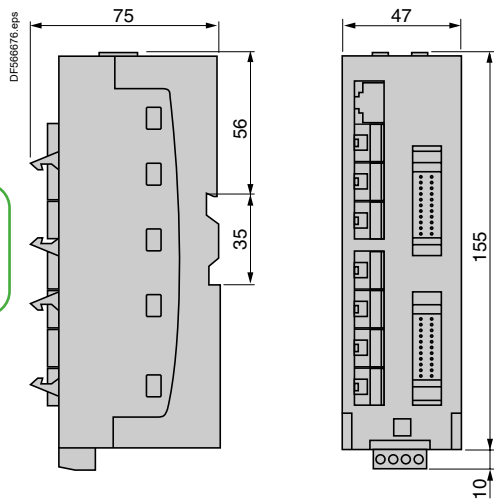
TeSys Control

LU9G02 RJ45 splitter box

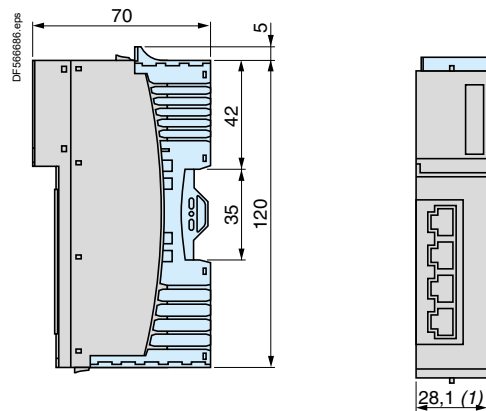
Dimensions

Parallel RJ45 wiring modules

Splitter box LU9G02



Parallel wiring module Advantys STBEPI2145



(1) Dimension to be multiplied by the number of **STBEPI2145** modules present in the configuration.

Wiring systems

Door mounting isolation switch		
Type of product	Range	Pages
Switch-disconnectors	Up to 12 or 20 A	B3/2
Switch-disconnectors, high performance applications	From 12 to 175 A	B3/6
Accessories for switch-disconnectors		B3/8

Switch-
disconnectors

Technical Data for Designers B3/17



Characteristics:
p. B3/18 to B3/21

Dimensions:
p. B3/22 to B3/23

Schemes:
p. B3/23

Switch-disconnectors for standard applications

- 3-pole rotary switch-disconnectors, 12 to 20 A
- Marking on operator $\circ \downarrow$.
- Padlockable operating handle (padlocks not supplied).
- Degree of protection IP 65.



PB121252.eps

VCDN20

Switch-disconnectors



PB121293.eps

VCCDN20



PB119284.eps

VBDN20

Main and Emergency stop switch-disconnectors for door mounting

Operator	Front plate	Fixing	Ith	Reference
Handle	mm	mm	A	
Red, padlockable with up to 3 padlocks (Ø4 to Ø8)	Yellow 60 x 60	Ø22.5	12	VCDN12
			20	VCDN20

Main and Emergency stop switch-disconnectors for mounting at back of an enclosure ⁽¹⁾

Operator	Front plate	Fixing	Ith	Reference
Handle	mm	mm	A	
Red, padlockable with up to 3 padlocks (Ø4 to Ø8)	Yellow 60 x 60	Ø22.5	12	VCCDN12
			20	VCCDN20

Main switch-disconnectors for door mounting

Operator	Front plate	Fixing	Ith	Reference
Handle	mm	mm	A	
Black, padlockable with up to 3 padlocks (Ø4 to Ø8)	Black 60 x 60	Ø22.5	12	VBDN12
			20	VBDN20

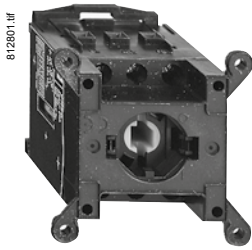
⁽¹⁾ Switches supplied with a shaft extension VZN17 and a door interlock plate KZ32 (see page B3/5).



Characteristics:
p. B3/18 to B3/21

Dimensions:
p. B3/22 to B3/23

Schemes:
p. B3/23



VN20



VZN11



VZN14



VZN05



VZN26



VZN08

Switch-disconnectors for standard applications

Switch bodies

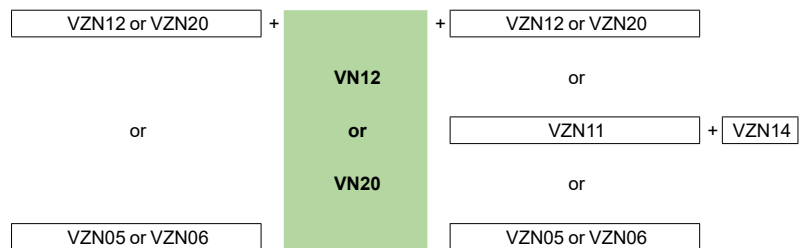
Description	Rating A	Reference
3-pole switch-disconnectors	12	VN12
	20	VN20

Add-on modules

Description	Rating A	Reference
Main pole modules	12	VZN12
	20	VZN20
Neutral pole module with early make and late break contacts	12 and 20	VZN11
Earthing module	12 and 20	VZN14
Auxiliary contact block modules	1 N/O late make contact	VZN05
	1 N/C early break contact	VZN06
Input terminal protection shrouds	For add-on pole modules or auxiliary contact block modules (single-pole shroud)	VZN26
	For switch bodies (3-pole shroud)	VZN08

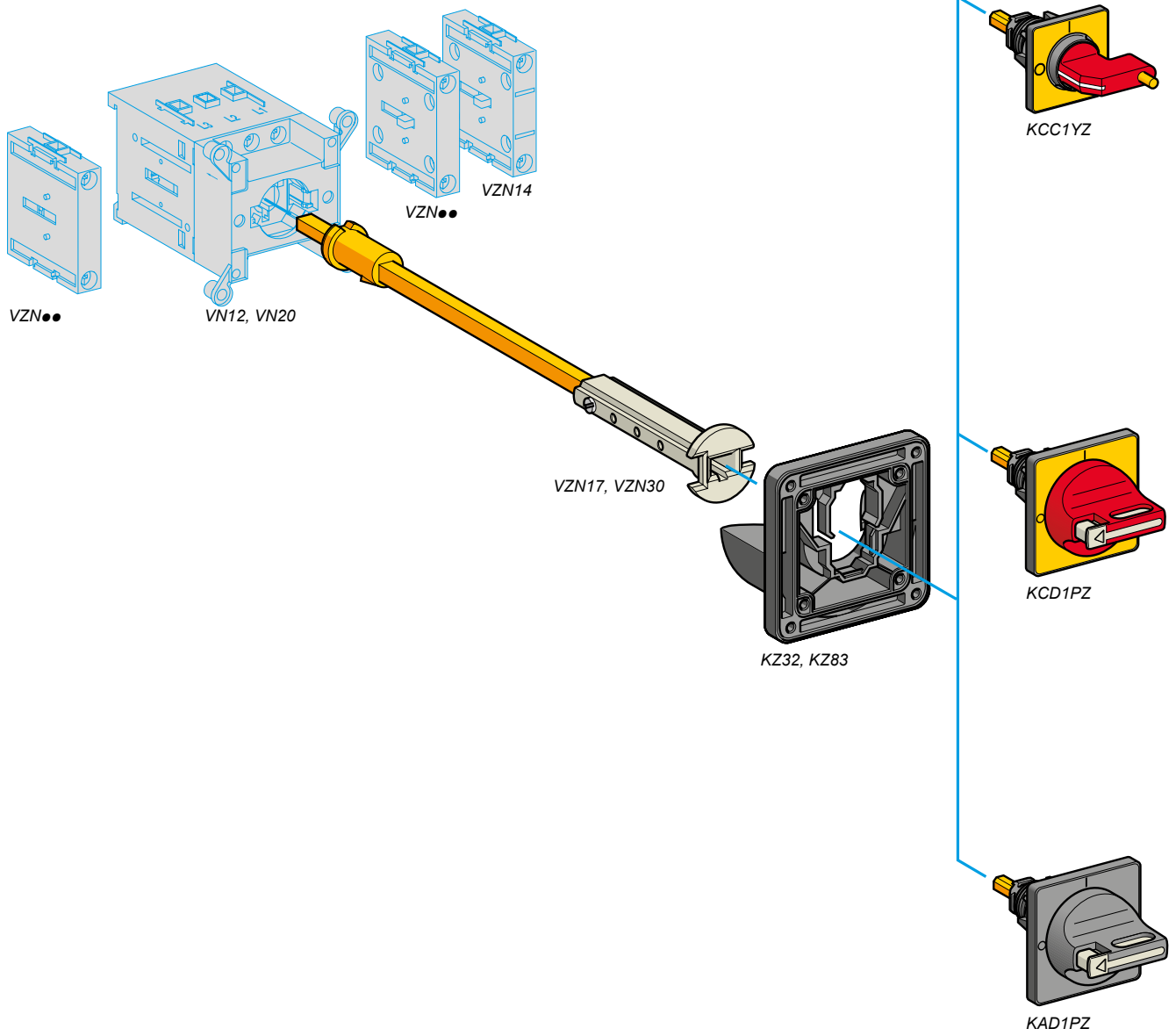
Switch-disconnectors

Maximum number of add-on modules that can be fitted on a switch body



DP580544.eps

Switch-disconnectors



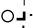


Characteristics:
p. B3/18 to B3/21

Dimensions:
p. B3/22 to B3/23

Schemes:
p. B3/23

Switch-disconnectors for standard applications

- Degree of protection IP 65.
- Marking on operator .
- Padlockable operating handle (padlocks not supplied).
- Operator fixing by 1 $\varnothing 22.5$ hole; for other operators see pages B3/11 and B3/13.
- For other accessories and empty enclosures, see pages B3/14, B3/15 and chapter A1.

Operators for main and Emergency stop switch-disconnectors

Handle	Front plate mm	Reference
Red, padlockable with 1 padlock ($\varnothing 4$ to $\varnothing 6$)	Yellow 45 x 45	KCC1YZ
Red, padlockable with up to 3 padlocks ($\varnothing 4$ to $\varnothing 8$)	Yellow 60 x 60	KCD1PZ

Operators for main switch-disconnectors

Handle	Front plate mm	Reference
Black, padlockable with up to 3 padlocks ($\varnothing 4$ to $\varnothing 8$)	Black 60 x 60	KAD1PZ

Accessories for door interlocking

For rear fixing switch-disconnectors mounted at the back of an enclosure, in addition to a direct operator

Description	Front plate mm	Distance enclosure back/door mm	Sold in lots of	Unit reference
Shaft extensions	–	300...330	1	VZN17
		400...430	1	VZN30
Door interlock plate	45 x 45 or 60 x 60	–	5	KZ32
Plate for door mounting	45 x 45 or 60 x 60	–	5	KZ83



Characteristics:
p. B3/18 to B3/21

Dimensions:
p. B3/24 to B3/25

Schemes:
p. B3/25

Switch-disconnectors for high performance applications

- 3-pole rotary switch-disconnectors, 12 to 175 A
- Marking on operator $\text{O} \downarrow$
- Padlockable operating handle (padlocks not supplied).
- Degree of protection IP 65.

Switch-disconnectors



VCF0



VCF5



VCCF0

Main and Emergency stop switch-disconnectors for door mounting

Handle	Front plate mm	Fixing	Rating A	Reference	Weight kg
Red, padlockable with up to 3 padlocks (Ø4 to Ø8)	Yellow 60 x 60	Ø22.5	12	VCD02	0.215
			20	VCD01	0.215
			25	VCD0	0.215
			32	VCD1	0.215
			40	VCD2	0.215
			4 screws		
20	VCF01	0.250			
25	VCF0	0.250			
32	VCF1	0.250			
40	VCF2	0.250			
63	VCF3	0.560			
80	VCF4	0.560			
Red, long, padlockable with up to 3 padlocks (Ø4 to Ø8)	Yellow 90 x 90	4 screws	125	VCF5	1.200
			175	VCF6	1.200

Main and Emergency stop switch-disconnectors for mounting at back of an enclosure ⁽¹⁾

Handle	Front plate mm	Fixing	Rating A	Reference	Weight kg
Red, padlockable with up to 3 padlocks (Ø4 to Ø8)	Yellow 60 x 60	Ø22.5	12	VCCD02	0.392
			20	VCCD01	0.392
			25	VCCD0	0.392
			32	VCCD1	0.392
			40	VCCD2	0.392
			4 screws		
20	VCCF01	0.527			
25	VCCF0	0.527			
32	VCCF1	0.527			
40	VCCF2	0.527			
63	VCCF3	0.440			
80	VCCF4	0.680			
Red, long, padlockable with up to 3 padlocks (Ø4 to Ø8)	Yellow 90 x 90	4 screws	125	VCCF5	1.320
			175	VCCF6	1.320

⁽¹⁾ Unit supplied with a shaft extension VZN17 or VZ18 and a door interlock plate KZ32 or KZ74 (see page B3/14).



Characteristics:
p. B3/18 to B3/21

Dimensions:
p. B3/24 to B3/25

Schemes:
p. B3/25

Switch-disconnectors for high performance applications

- 3-pole rotary switch-disconnectors, 12 to 175 A
- Marking on operator $\circ \downarrow$.
- Padlockable operating handle (padlocks not supplied).
- Degree of protection IP 65.

PB121515.eps



VBD01

PB119275.eps



VBF4

PB121298.eps



VVE1

Main switch-disconnectors for door mounting

Handle	Front plate mm	Fixing	Rating A	Reference	Weight kg
Black, padlockable with up to 3 padlocks (Ø4 to Ø8)	Black 60 x 60	Ø22.5	12	VBD02	0.215
			20	VBD01	0.215
			25	VBD0	0.215
			32	VBD1	0.215
			40	VBD2	0.215
Black, long, padlockable with up to 3 padlocks (Ø4 to Ø8)	Black 90 x 90	4 screws	12	VBF02	0.250
			20	VBF01	0.250
			25	VBF0	0.250
			32	VBF1	0.250
			40	VBF2	0.250
			63	VBF3	0.560
			80	VBF4	0.560
Black, long, padlockable with up to 3 padlocks (Ø4 to Ø8)	Black 90 x 90	4 screws	125	VBF5	1.200
			175	VBF6	1.200

Switch-disconnectors

Main and Emergency stop switch-disconnectors

For mounting in an enclosure or for modular distribution boards

Handle	Front plate mm	Fixing	Rating A	Reference	Weight kg
Red, padlockable with 1 padlock (Ø4 to Ø6)	Yellow 45 x 45	4 screws	25	VVE0	0.250
			32	VVE1	0.250
			40	VVE2	0.250
			63	VVE3	0.530
			80	VVE4	0.530

Main switch-disconnectors

For mounting in an enclosure or for modular distribution boards

Handle	Front plate mm	Fixing	Rating A	Reference	Weight kg
Black, not padlockable	Black 45 x 45	4 screws	25	VVD0	0.250
			32	VVD1	0.250
			40	VVD2	0.250
			63	VVD3	0.560
			80	VVD4	0.560

TeSys Control

Switch-disconnectors - High performance applications

Product references



Characteristics:
p. B3/18 to B3/21

Dimensions:
p. B3/24 to B3/25

Schemes:
p. B3/25

Switch-
disconnectors

PG121295.eps



V5

580537.tif



VZ0

580538.tif



VZ11

580536.tif



VZ15

580540.tif



VZ20

Switch-disconnectors for high performance applications

Switch bodies

Description	Rating A	Reference
3-pole switch-disconnectors ⁽¹⁾	12	V02
	20	V01
	25	V0
	32	V1
	40	V2
	63	V3
	80	V4
	125	V5
	175	V6

Add-on modules

Description	Rating A	Reference
Main pole modules	12	VZ02
	20	VZ01
	25	VZ0
	32	VZ1
	40	VZ2
	63	VZ3
	80	VZ4
	Neutral pole modules with early make and late break contacts ⁽¹⁾	12 to 40
63 to 80		VZ12
125 and 175		VZ13
Earthing modules	12 to 40	VZ14
	63 and 80	VZ15
	125 and 175	VZ16

Auxiliary contact block modules

Description	Type	Reference
Auxiliary contact block modules with 2 auxiliary contacts	N/O + N/C ⁽²⁾	VZ7
	N/O + N/O	VZ20

⁽¹⁾ Protection shrouds are available if required: see page B3/14.

⁽²⁾ Late make N/O, early break N/C contacts



Characteristics:
p. B3/18 to B3/21

Dimensions:
p. B3/24 to B3/25

Schemes:
p. B3/25

Switch-disconnectors for high performance applications

Maximum number of add-on modules that can be fitted on a switch body

1 add-on module on each side of the switch body

VZ7 or VZ20	+	V0●	+	VZ7 or VZ20	VZ7	+	VZ7
or				or	or		or
VZ11 or VZ12	+	V0	+	VZ11 or VZ12	VZ20	+	VZ20
or				or	or		or
VZ14 or VZ15	+		+	VZ14 or VZ15	VZ13	+	VZ13
or				or	or		or
VZ0●/VZ0 to VZ4	+	V4	+	VZ0●/VZ0 to VZ4	VZ16	+	VZ16

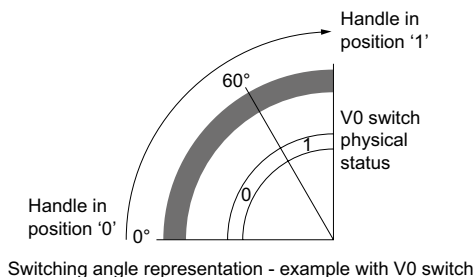
Switch-disconnectors

2 add-on modules on each side of the switch body

VZ0●	+	VZ0●	+	V0●	+	VZ0●	+	VZ7 or VZ20 or VZ11 or VZ14
VZ0	+	VZ0	+	V0	+	VZ0	+	VZ7 or VZ20 or VZ11 or VZ14
VZ1	+	VZ1	+	V1	+	VZ1	+	VZ7 or VZ20 or VZ11 or VZ14
VZ2	+	VZ2	+	V2	+	VZ2	+	VZ7 or VZ20 or VZ11 or VZ14
VZ3	+	VZ3	+	V3	+	VZ3	+	VZ7 or VZ20 or VZ12 or VZ15
VZ4	+	VZ4	+	V4	+	VZ4	+	VZ7 or VZ20 or VZ12 or VZ15

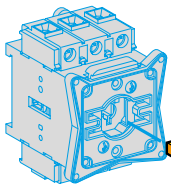
Note: The add-on modules mounted next to the switch body are main pole modules. Maximum of 3 main pole modules per switch body.

Auxiliary switch switching angles



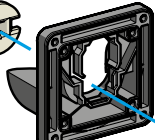
	0: contact open 1: contact close				
	Handle travel 0 > 1	0°	30°	60°	90°
3-pole switch-disconnectors V02 / V01 / V0 / V1 / V2 / V3 / V4 / V5 / V6				60°	1
Main pole modules VZ02 / VZ01 / VZ0 / VZ1 / VZ2 / VZ3 / VZ4				60°	1
Neutral pole modules with early make and late break contacts VZ11 / VZ12 / VZ13			45°		1
Auxiliary contact block modules with 2 auxiliary contacts (N/0+N/C) VZ7				75°	1
Late make N0 and earlier break NC (Early break N0 and late make NC for travel 1-0)	N/0		0		1
	N/C	1		0	
			20°		
				60°	1
Auxiliary contact block modules with 2 auxiliary contacts (N/0+N/C) VZ20			0		1
			0		1
				60°	

DF503798.eps

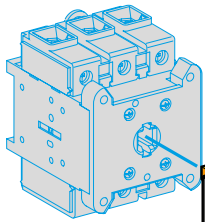


VN12, VN20
V02...V2

VZN17, VZN30



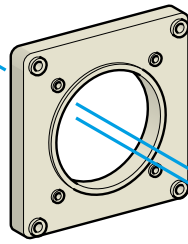
KZ32, KZ83



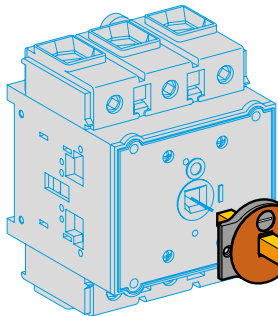
V3, V4



VZ18, VZ31

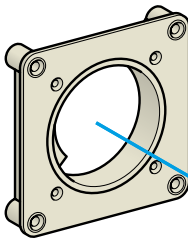


KZ81

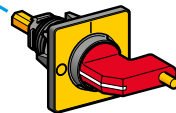


V5, V6

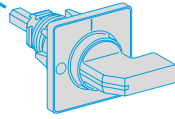
VZ18, VZ31



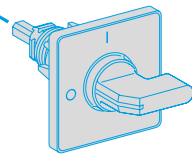
KZ74



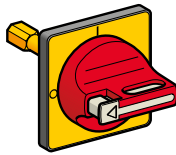
KC•1YZ



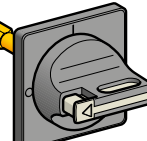
KC•1LZ



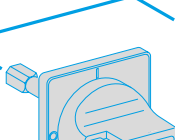
KA•1BZ



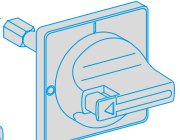
KC•1PZ



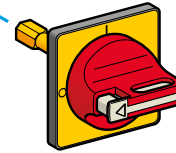
KA•1PZ



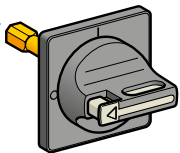
KD•1PZ



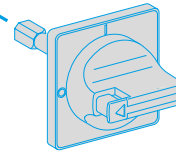
KB•1PZ



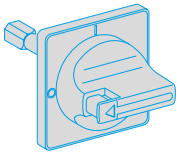
KCF2PZ



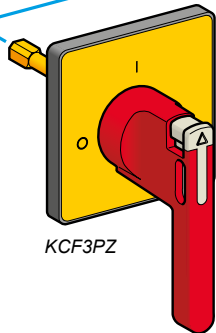
KAF2PZ



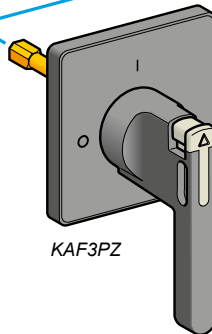
KDF2PZ



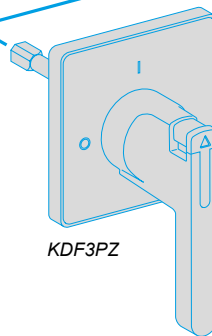
KBF2PZ



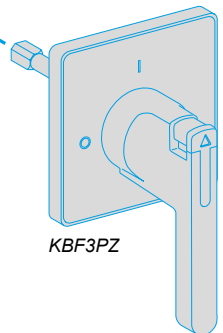
KCF3PZ



KAF3PZ



KDF3PZ



KBF3PZ

Switch-disconnectors



Characteristics:
p. B3/18 to B3/21

Dimensions:
p. B3/24 to B3/25

Schemes:
p. B3/25

- Marking on operator $\circ \downarrow$.
- Padlockable operating handle (padlocks not supplied).
- Degree of protection IP 65.

Handles and front plates for main and Emergency stop switch-disconnectors

For switch body	Operator Handle	Front plate		Reference
		Dimensions	Fixing	
		mm		
VN12, VN20 V02...V2	Red, padlockable with 1 padlock (Ø4 to Ø6)	Yellow 45 x 45	Ø22.5	KCC1YZ
			4 screws	KCE1YZ
	Red, padlockable with up to 3 padlocks (Ø4 to Ø8)	Yellow 60 x 60	Ø22.5	KCD1PZ
			4 screws	KCF1PZ
V3 and V4	Red, padlockable with up to 3 padlocks (Ø4 to Ø8)	Yellow 60 x 60	4 screws	KCF2PZ
V5 and V6	Red, long, padlockable with up to 3 padlocks (Ø4 to Ø8)	Yellow 90 x 90	4 screws	KCF3PZ ⁽¹⁾

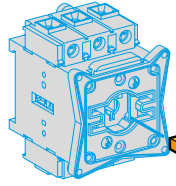
Handles and front plates for main switch-disconnectors

For switch body	Operator Handle	Front plate		Reference
		Dimensions	Fixing	
		mm		
VN12, VN20 V02...V2	Black, padlockable with up to 3 padlocks (Ø4 to Ø8)	Black 60 x 60	Ø22.5	KAD1PZ
			4 screws	KAF1PZ
V3 and V4	Black, padlockable with up to 3 padlocks (Ø4 to Ø8)	Black 60 x 60	4 screws	KAF2PZ
V5 and V6	Black, long, padlockable with up to 3 padlocks (Ø4 to Ø8)	Black 90 x 90	4 screws	KAF3PZ ⁽¹⁾

⁽¹⁾ For door mounting of 63 and 80 A switch-disconnectors, adapter plate **KZ106** must be ordered separately (see page B3/14).

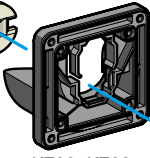
Switch-disconnectors

DF503799.eps

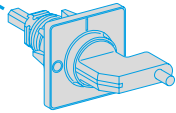


VN12, VN20
V02...V2

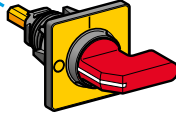
VZN17, VZN30



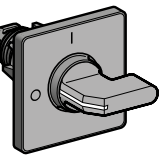
KZ32, KZ83



KC•1YZ

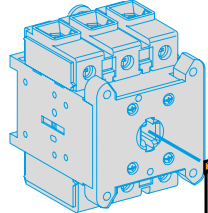


KC•1LZ



KA•1BZ

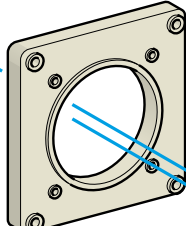
Switch-disconnectors



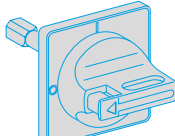
V3, V4



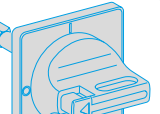
VZ18, VZ31



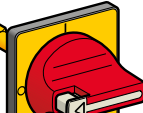
KZ81



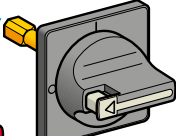
KC•1PZ



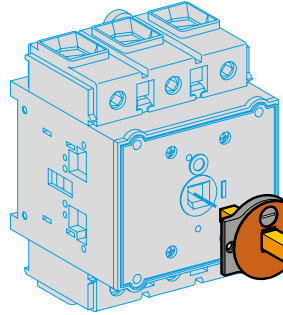
KA•1PZ



KD•1PZ

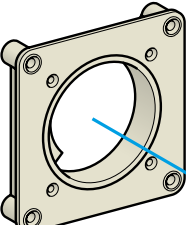


KB•1PZ

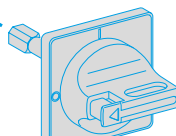


V5, V6

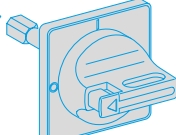
VZ18, VZ31



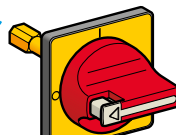
KZ74



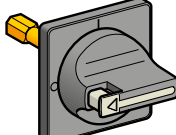
KCF2PZ



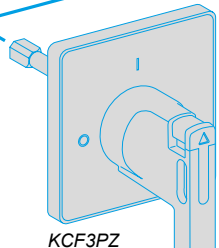
KAF2PZ



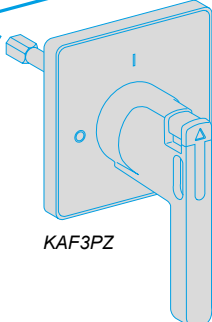
KDF2PZ



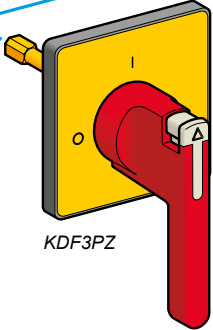
KBF2PZ



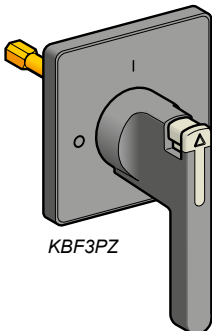
KCF3PZ



KAF3PZ



KDF3PZ



KBF3PZ



Characteristics:
p. B3/18 to B3/21

Dimensions:
p. B3/24 to B3/25

Schemes:
p. B3/25

- Marking on operator $\circ \downarrow$.
- Degree of protection IP 65.

Handles and front plates for Emergency stop switch-disconnectors

For switch body	Operator Handle	Front plate		Reference
		Dimensions	Fixing	
mm				
VN12, VN20 V02...V2	Red, not padlockable	Yellow 45 x 45	Ø22.5	KCC1LZ
			4 screws	KCE1LZ
		Yellow 60 x 60	Ø22.5	KDD1PZ
			4 screws	KDF1PZ
V3 and V4	Red, long, not padlockable	Yellow 60 x 60	4 screws	KDF2PZ
V5 and V6	Red, long, not padlockable	Yellow 90 x 90	4 screws	KDF3PZ ⁽¹⁾

Handles and front plates for switch-disconnectors

For switch body	Operator Handle	Front plate		Reference
		Dimensions	Fixing	
mm				
VN12, VN20 V02...V2	Black, not padlockable	Black 45 x 45	4 screws	KAE1BZ
			Ø22.5	KBD1PZ
		Black 60 x 60	4 screws	KBF1PZ
V3 and V4	Black, not padlockable	Black 60 x 60	4 screws	KBF2PZ
V5 and V6	Black, not padlockable	Black 90 x 90	4 screws	KBF3PZ ⁽¹⁾

⁽¹⁾ For door mounting of 63 and 80 A switch-disconnectors, adapter plate **KZ106** must be ordered separately (see next page).

TeSys Control

Accessories for switch-disconnectors

Product references



Characteristics:
p. B3/18 to B3/21

Dimensions:
p. B3/24 to B3/25

Schemes:
p. B3/25



VZ8



VZ26



VZ29

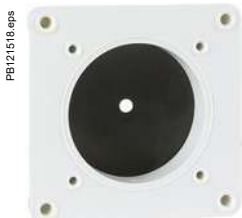
Switch-
disconnectors



VZ31



KZ32



KZ81

Input terminal protection shrouds

Description	For use on	Reference
For switch bodies (3-pole shroud)	V02...V2	VZ8
	V3 and V4	VZ9
	V5 and V6	VZ10
For add-on pole modules (single-pole shroud)	VZ02...VZ2, VZ11, VZ14	VZ26
	VZ3, VZ4, VZ12, VZ15	VZ27
	VZ13, VZ16	VZ28
For contact blocks with 2 auxiliary contacts	–	VZ29

Components for door interlocking

For rear fixing switch-disconnectors mounted at the back of an enclosure, in addition to a direct operator

Description	For use on	Distance enc. back/door mm	Sold in lots of	Unit reference
Shaft extensions	VN12, VN20 V02...V2	300...330	1	VZN17 ⁽¹⁾
		400...430	1	VZN30 ⁽¹⁾
	V02...V2	300...330	1	VZ17
		400...430	1	VZ30
	V3 and V4	300...320	1	VZ18
		400...420	1	VZ31
V5 and V6	330...350	1	VZ18	
	430...450	1	VZ31	
Door interlock plates	VN12, VN20 V02...V2	–	5	KZ32
	V3...V6	–	5	KZ74

Description	For use on	Front plate dimensions mm	Sold in lots of	Unit reference
Plates for door mounting of handles with 4 screw fixing	VN12, VN20 V02...V2	45 x 45 or 60 x 60	5	KZ83
	V3...V6	60 x 60 or 90 x 90	5	KZ81
Adapter plate for switch-disconnectors	V3 and V4	90 x 90	5	KZ106

⁽¹⁾ Can be used with V02 to V2 switches.

TeSys Control

Accessories for switch-disconnectors

Product references



Characteristics:
p. B3/18 to B3/21

Dimensions:
p. B3/24 to B3/25

Schemes:
p. B3/25

PB121519.eps



KZ15

PB121520.eps



KZ67

PB121521.eps



Z01

Accessories for operators

Description	For use on	Front plate dimensions mm	Sold in lots of	Unit reference
Legend holder with silver coloured blank legend plate	Front plate	45 x 45	5	KZ13
		60 x 60	5	KZ15
		90 x 90	5	KZ103
Legend holders without legend plate	Front plate	45 x 45	20	KZ14
		60 x 60	10	KZ16
		90 x 90	5	KZ101
Silver coloured blank legend plates for engraving by customer	KZ16	–	10	KZ77
Seals	VN12, VN20	45 x 45	5	KZ65
		60 x 60	5	KZ66
		60 x 60	5	KZ62
		90 x 90	5	KZ67
Tightening tool	For operators with Ø22.5 fixing	–	5	Z01

Switch-disconnectors


TeSys Control

Switch-disconnectors

Product references

Switch-
disconnectors

KAD1PZ	VBF4GE	VCFN20GE
KAD1XZ	VBF5	VCFN25GE
KAE1BZ	VBF5GEN	VCFN32GE
KAF1PZ	VBF6	VCFN40GE
KAF2PZ	VBF6GEN	VCFXGE1
KAF2XZ	VBFXGE1	VCFXGE2
KAF3PZ	VBFXGE2	VCFXGE4
KBD1PZ	VBFXGE4	VCFXGE6
KBF1PZ	VBFXGE6	VGP1
KBF2PZ	VC1GUN	VGPCLIP1
KBF3PZ	VC2GUN	VN12
KCC1LZ	VC3GUN	VN20
KCC1YZ	VC4GUN	VVD0
KCD1PZ	VC5GUN	VVD1
KCD1YZ	VC6GUN	VVD2
KCE1LZ	VCCD0	VVD3
KCE1YZ	VCCD01	VVD4
KCF1PZ	VCCD02	VVE0
KCF1YZ	VCCD1	VVE1
KCF2PZ	VCCD2	VVE2
KCF2YZ	VCCDN12	VVE3
KCF3PZ	VCCDN20	VVE4
KCG2YZ	VCCF0	VZ0
KDD1PZ	VCCF01	VZ01
KDF1PZ	VCCF02	VZ02
KDF2PZ	VCCF1	VZ1
KDF3PZ	VCCF2	VZ10
KZ32	VCCF3	VZ11
KZ74	VCCF4	VZ12
KZ80	VCCF5	VZ13
KZ81	VCCF6	VZ14
KZ82	VCD0	VZ15
KZ83	VCD01	VZ16
V0	VCD02	VZ17
V01	VCD1	VZ17L127
V02	VCD2	VZ17L69
V1	VCDN12	VZ18
V2	VCDN20	VZ2
V3	VCF0	VZ20
V4	VCF01	VZ26
V5	VCF01GE	VZ27
V6	VCF01GEGP	VZ28
VBD0	VCF02	VZ29
VBD01	VCF02GE	VZ3
VBD02	VCF02GEGP	VZ30
VBD1	VCF0GE	VZ31
VBD2	VCF0GEGP	VZ4
VBDN12	VCF1	VZ45
VBDN20	VCF1GE	VZ7
VBF0	VCF1GEGP	VZ8
VBF01	VCF1YZ	VZ9
VBF01GE	VCF2	VZN05
VBF02	VCF2GE	VZN06
VBF02GE	VCF3	VZN08
VBF0GE	VCF3GE	VZN11
VBF1	VCF4	VZN12
VBF1GE	VCF4GE	VZN14
VBF2	VCF5	VZN17
VBF2GE	VCF5GEN	VZN19
VBF3	VCF6	VZN20
VBF3GE	VCF6GEN	VZN26
VBF4	VCFN12GE	VZN30

This document is current.  Click on the product reference to get the most recent availability status (hyperlink to [se.com](https://www.se.com) product datasheet). If your product variant is no longer available, please consult your distributor or regional sales office.

Technical Data for Designers

Contents

Characteristics..... B3/18 to B3/21

Switch-disconnectors for standard applications:

> Dimensions B3/22 to B3/23

> Schemes B3/23

Switch-disconnectors for high performance applications:

> Dimensions B3/24 to B3/25

> Schemes B3/25

TeSys Control

Switch-disconnectors

Characteristics



References:
p. B3/3

Dimensions:
p. B3/22

Schemes:
p. B3/23

Characteristics

Environment

Switch type (bare type)	VN12 VZN12	V02 VZ02	VN20 VZN20	V01 VZ01	V0	VZ0	VVD0 VVE0	V1	VZ1	VVD1 VVE1	
Conforming to standards	IEC/EN 60947-3 and UL/CSA 60947-4-1										
Product certifications	UL, CSA, UKCA	UL, CSA, DNV-GL, CCC, IEC, UKCA	UL, CSA, UKCA	UL, CSA, DNV-GL, IEC, EAC, CCC ⁽¹⁾ , UKCA							
Degree of protection with protection shroud	IP 20 conforming to IEC 60529										
Ambient air temperature	° C	-20...+50									
Flame resistance	° C	960 conforming to IEC 60695-2-11									
Shock resistance 1/2 sine wave = 11ms conforming to IEC60068-2-27	gn	15	30	15	30						
Vibration resistance 10...150 Hz conforming to IEC 60068-2-6	gn	5	1								

Electrical characteristics, a.c. operation

Switch type (bare type)	VN12 VZN12	V02 VZ02	VN20 VZN20	V01 VZ01	V0	VZ0	VVD0 VVE0	V1	VZ1	VVD1 VVE1
Rated operational voltage (Ue)	V	690								
Rated impulse withstand voltage (Uimp)	kV	6	8	6	8					
Conventional thermal currents in free air (Ith) and rated uninterrupted (lu)	A	12		20		25		32		
Conventional thermal current in enclosure (Ithe)	A	10		16		20		25		
Power dissipation per pole for the above operational currents	W	-				1.25	2			
	W	-				3.2	5			
Rated operational power and current	AC-21A/22A	230...690 V	A	12		20		25		32
	AC-23A	230 V	A/kW	10.6/3		14/4		19.7/5.5		
		240 V	A/kW	10.6/3		14/4		19.9/5.5		18.9/5.5
		400 V	A/kW	8.1/4		11/5.5		14.5/7.5		21.8/11
		415 V	A/kW	8.1/4		11/5.5		14/7.5		21/11
		500 V	A/kW	8.9/5.5		11.9/7.5		16.7/11		
Rated operational power	AC-3	230/240 V	kW	1.5		3		4		
		400/415 V	kW	3		4		5.5		7.5
		500 V	kW	4		5.5		7.5		
		690 V	kW	4	5.5		7.5		11	
Intermittent duty class		30								
Characteristics in normal operating conditions	Rated making capacity AC-21A/22A/23A (I rms)	A/400 V	120		200		250		320	
	Rated breaking capacity AC-21A/22A/23A (I rms)	A/400 V	120		200				250	
Short-circuit characteristics	Permissible rms short time rating (Icw)	A/400V/1s	140	300	140	300	384			
	Rated making capacity under short-circuit conditions (Icm) I peak	kA/400 V	0.5	1	0.5	1				
	Rated conditional short-circuit current (I rms) with aM/gG fuses	kA/400 V	6	10	6	10				
		A	12		20		25		35	

(1) CCC: except for VVD, VVE switches.



References:
p. B3/3

Dimensions:
p. B3/22

Schemes:
p. B3/23

V2 VZ2	VVD2 VVE2	V3 VZ3	VVD3 VVE3	V4 VZ4	VVD4 VVE4	V5	V6	VZ7 VZ20	VZN05 VZN06
IEC/EN 60947-3 and UL/CSA 60947-4-1								IEC/EN 60947-5-1, UL/CSA 60947-5-1	

UL, CSA, DNV-GL, IEC, EAC, CCC ⁽¹⁾, UKCA

IP 20 conforming to IEC 60529

-20...+50

960 conforming to IEC 60695-2-11

30

-

1

-

V2 VZ2	VVD2 VVE2	V3 VZ3	VVD3 VVE3	V4 VZ4	VVD4 VVE4	V5	V6	VZ7 VZ20	VZN05 VZN06
690									

8

6

40	63	80	125	175	12	12			
32	50	63	100	140	10	10			
2.4	4.2	5.1	7.5	11	-				
5.4	6.4	12.5	15	25	-				
40	63	80	125	160	le/AC-15				
25.8/7.5	50.3/15	61.2/18.5	71.9/22	96.6/30	6 A				
24.8/7.5	48.2/15	58.5/18.5	68/22	92.7/30	6 A				
29/15	41.5/22	57/30	68.5/37	83/45	4 A				
28/15	40/22	55/30	66/37	80/45	4 A				
28.5/18.5	44/30	54/37	64.5/45	79/55	2 A				
17.5/15	25/22	33/30	42/37	49/45	1 A				
5.5	11	15	22	30	-				
11	18.5	22	30	37	-				
15	22	30	37	45	-				
11	18.5		30	37	-				
30									
400	630	800	1250	1750	-				
320	500	640	1000	1400	-				
480	756	960	1500	2100	-				
1	2.1		2.8		-				
10									
50	63	80	125	200	16	16			

(1) CCC: except for VVD, VVE switches.

Switch-disconnectors

TeSys Control

Switch-disconnectors

Characteristics



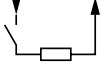
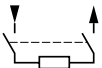
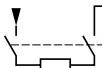
References:
p. B3/3

Dimensions:
p. B3/22

Schemes:
p. B3/23

Characteristics

Electrical characteristics, d.c. operation

Switch type (bare type)			VN12 VZN12	V02 VZ02	VN20 VZN20	V01 VZ01	V0 VZ0	VVD0 VVE0	V1 VZ1	VVD1 VVE1	
Rated operational current DC-1 (L/R = 1ms)   	24 V	1 contact	A	12	20		25		32		
		2 contacts	A	12	20		25		32		
		3 contacts	A	12	20		25		32		
	48 V	1 contact	A	12		20		25		32	
		2 contacts	A	12		20		25		32	
		3 contacts	A	12		20		25		32	
	60 V	1 contact	A	12		20		25		32	
		2 contacts	A	12		20		25		32	
		3 contacts	A	12		20		25		32	
110 V	1 contact	A	1.5		2		9		10		
	2 contacts	A	8		10		12		16		
	3 contacts	A	12		20		25		32		
220 V	1 contact	A	1.5		2		2.5		3		
	2 contacts	A	7		8		10		12		
	3 contacts	A	10		14		16		20		
250 V	1 contact	A	0.6		0.7		0.8		1		
	2 contacts	A	3		4		6		8		
	3 contacts	A	8		10		12		16		
Rated operational current DC-2 to DC-5 (L/R ≤ 15ms)	24 V	1 contact	A	12	20		25		32		
		2 contacts	A	12	20		25		32		
		3 contacts	A	12	20		25		32		
	48 V	1 contact	A	12		20		25		32	
		2 contacts	A	12		20		25		32	
		3 contacts	A	12		20		25		32	
	60 V	1 contact	A	10		14		16		20	
		2 contacts	A	12		20		25		32	
		3 contacts	A	12		20		25		32	
	110 V	1 contact	A	1.5		2		2.5		3	
		2 contacts	A	3		4		5		6	
		3 contacts	A	12		20		25		32	
	220 V	1 contact	A	0.4		0.5		0.5		0.8	
		2 contacts	A	1.4		1.5		1.5		2	
		3 contacts	A	1		2		3		4	
	250 V	1 contact	A	0.3		0.4		0.5		0.8	
		2 contacts	A	0.4		0.6		0.8		1	
		3 contacts	A	1.2		2.4		1.6		2	

Other characteristics

Switch type (bare type)			VN12 VZN12	V02 VZ02	VN20 VZN20	V01 VZ01	V0 VZ0	VVD0 VVE0	V1 VZ1	VVD1 VVE1
Mechanical durability (millions of operating cycles)			0.05	0.1	0.05	0.1				
Electrical durability in cat. AC-21 (millions of operating cycles)			0.05	0.1	0.05	0.1				
Electrical durability in cat. DC-1 to 5 (operating cycles)			30000							
Suitable for isolation			Yes							
Cabling	Flexible cable + cable end	mm ²	4	6	4	6				
	Solid cable	mm ²	4	10	4	10				
Tightening torque		N.m	0.7	2.1	0.7	2.1				



References:
p. B3/3

Dimensions:
p. B3/22

Schemes:
p. B3/23

V2 VZ2	VVD2 VVE2	V3 VZ3	VVD3 VVE3	V4 VZ4	VVD4 VVE4	V5	V6	VZ7 VZ20	VZN05 VZN06
40		63		80		125	175	8 (le/DC-1)	
40		63		80		125	175	–	
40		63		80		125	175	–	
40		63		80		125	175	8 (le/DC-1)	
40		63		80		125	175	–	
40		63		80		125	175	–	
35		40		50		60	70	4 (le/DC-1)	
40		63		80		125	175	–	
40		63		80		125	175	–	
12		20		25		30	37	2 (le/DC-1)	
20		63		80		125	175	–	
40		63		80		125	175	–	
4		6		8		12	15	1 (le/DC-1)	
14		25		30		40	50	–	
25		30		40		80	100	–	
2		4		5		3	10	0.8 (le/DC-1)	
12		20		25		30	40	–	
20		30		40		50	61	–	
40		63		80		125	175	–	
40		63		80		125	175	–	
40		63		80		125	175	–	
40		63		80		125	175	–	
40		63		80		125	175	–	
40		63		80		125	175	–	
25		40		50		60	70	–	
40		63		80		125	175	–	
40		63		80		125	175	–	
5		6		8		10	12	–	
8		10		20		22	24	–	
40		50		63		70	80	–	
1		1.5		2		2.2	2.4	–	
3		4		6		7	8	–	
7		10		15		16	13	–	
1		1.2		1.5		1.6	1.8	–	
2		3		6		7	8	–	
6		8		10		12	14	–	
V2 VZ2	VVD2 VVE2	V3 VZ3	VVD3 VVE3	V4 VZ4	VVD4 VVE4	V5	V6	VZ7 VZ20	VZN05 VZN06
0.1		0.03						0.1	0.05
0.1		0.03						0.1 (AC-15)	0.05
30000								30000 (DC-1)	
Yes								–	
6		16				70		2 x 0.75...1.5	
10		25				95		2 x 1...2.5	
2.1		4				22.6		0.7	

Switch-
disconnectors

TeSys Control

Switch-disconnectors for standard applications

Dimensions, mounting



References:
p. B3/2 to B3/5

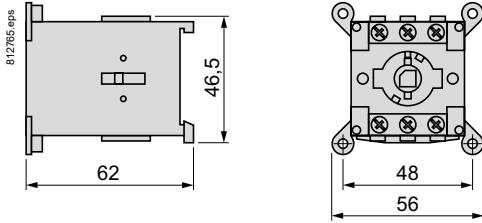
Characteristics:
p. B3/18 to B3/21

Schemes:
p. B3/23

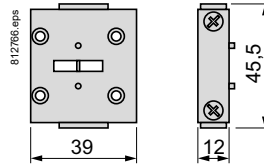
Dimensions

Switch-disconnectors

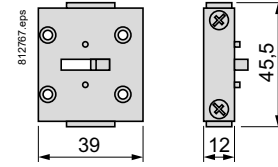
Switch bodies VN12, VN20



Add-on modules VZN12, VZN20



Add-on modules VZN11, VZN14 VZN05 and VZN06



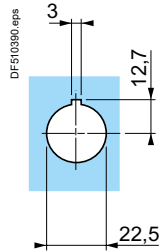
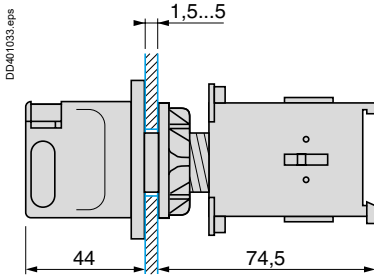
Switch-disconnectors

Mounting

Switch-disconnector mounted on enclosure door

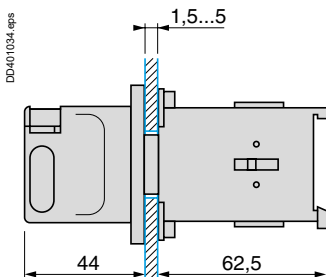
VCDN12, VCDN20, VBDN12, VBDN20

Single hole fixing

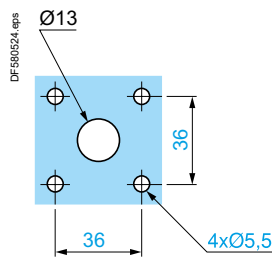


VN12, VN20

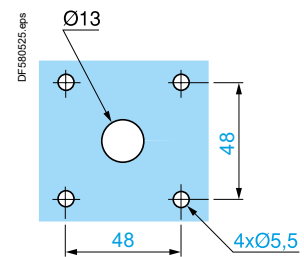
4 screw fixing



45 x 45 front plate



60 x 60 front plate



TeSys Control

Switch-disconnectors for standard applications

Mounting, schemes



References:
p. B3/2 to B3/5

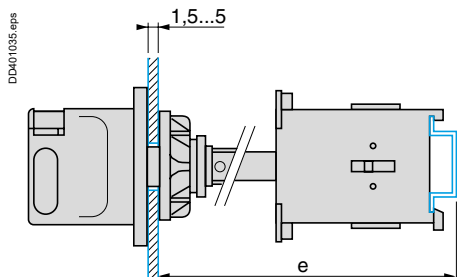
Characteristics:
p. B3/18 to B3/21

Mounting (continued)

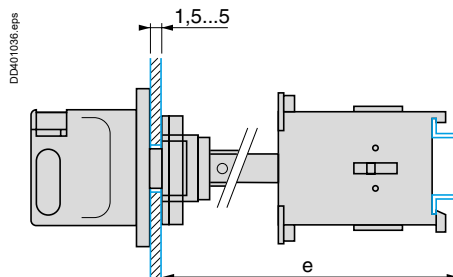
Switch-disconnector mounted at back of enclosure with shaft extension VZN17 or VZN30 (clip-on mounting on L rail)

VN12, VN20

Single hole fixing

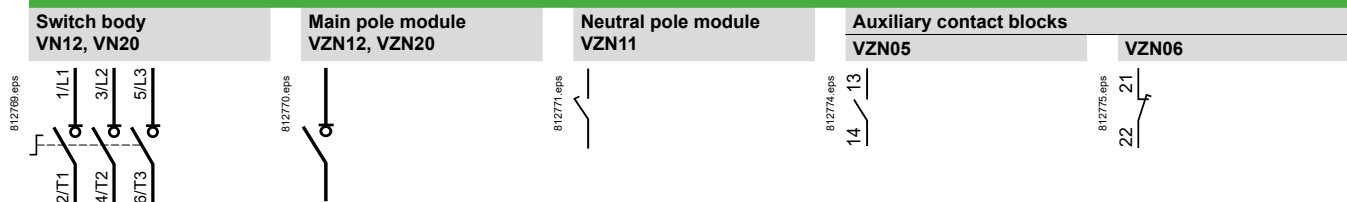


4 screw fixing



	Shaft extension	Distance (e) enclosure back/door mm
VN12, VN20	VZN17	300...330
	VZN30	400...430

Schemes



Switch-disconnectors

TeSys Control

Switch-disconnectors for high performance applications

Dimensions, mounting



References:
p. B3/6 to B3/9

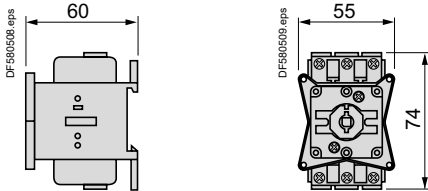
Characteristics:
p. B3/18 to B3/21

Schemes:
p. B3/25

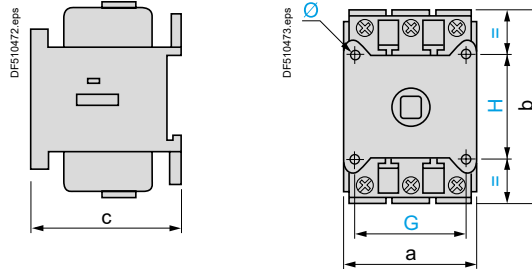
Dimensions

Switch-disconnectors

Switch bodies V0 \bullet , V0 to V2

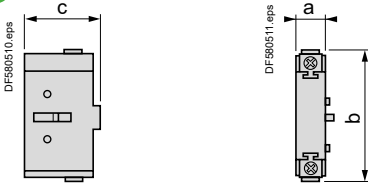


Switch bodies V3 to V6

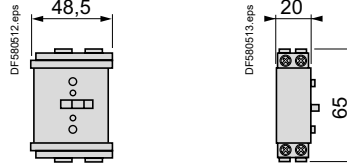


	a	b	c	G	H	Ø
V3, V4	60	83	65	48	48	3
V5, V6	90	125	90	68	68	4.5

Add-on modules VZ02 to VZ4 and VZ11 to VZ16



Add-on modules VZ7, VZ20

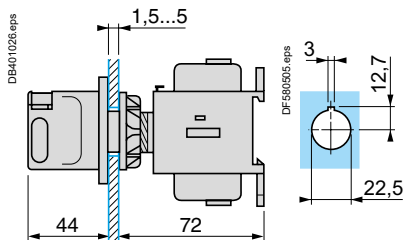


	a	b	c
VZ02 and VZ01, VZ0 to VZ2, VZ11, VZ14	16	74	35
VZ3, VZ4, VZ12, VZ15	20	83	46
VZ13, VZ16	30	125	63

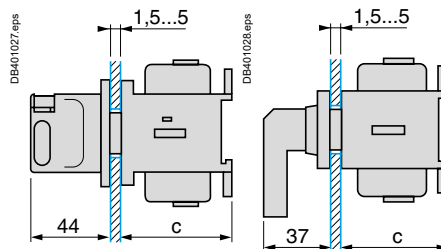
Mounting

Switch-disconnector mounted on enclosure door

Single hole fixing V0 \bullet , V0 to V2

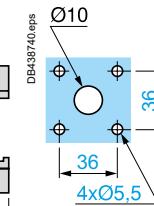


4 screw fixing V0 \bullet , V0 to V4

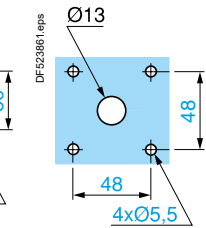


	c
V0 \bullet , V0 to V2	60
V3, V4	65

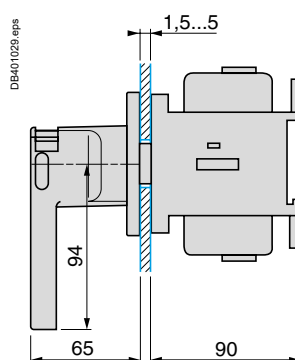
4 screw fixing 45 x 45 front plate V0 \bullet , V0 to V2



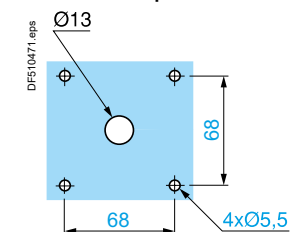
4 screw fixing 60 x 60 front plate V0 \bullet , V0 to V4



V5 and V6. 4 screw fixing



90 x 90 front plate



TeSys Control

Switch-disconnectors for high performance applications

Mounting, schemes



References:
p. B3/6 to B3/9

Characteristics:
p. B3/18 to B3/21

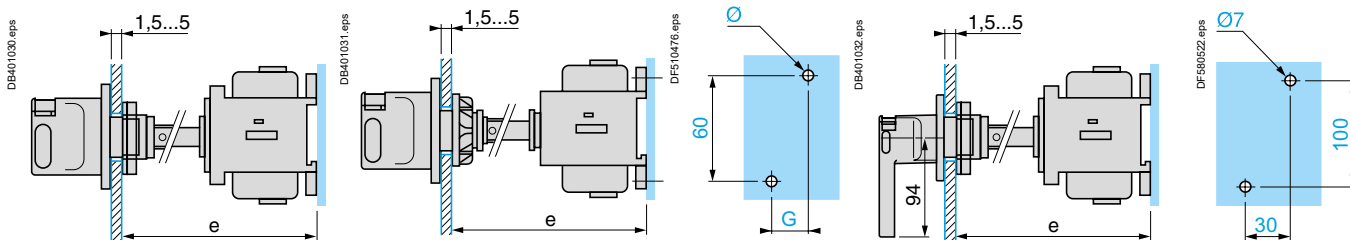
Mounting (continued)

Switch-disconnector mounted at back of enclosure

4 screw fixing
V0 \bullet , V0 to V2 with shaft extension VZ17 or VZ30 (clip-on mounting on rail possible for V0 \bullet to V2)

Single hole fixing
V3 to V4 with shaft extension VZ18 or VZ31

V5 and V6 with shaft extension VZ18 or VZ31



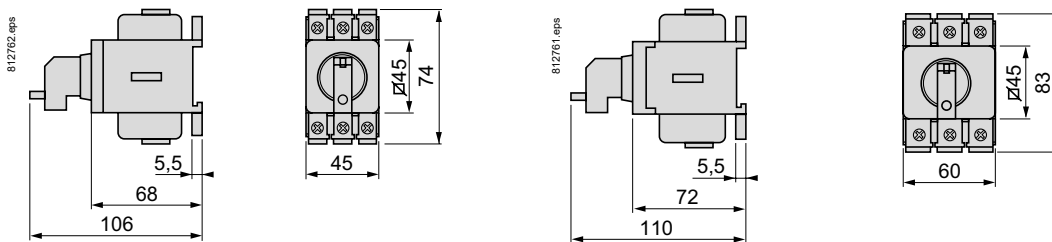
Shaft extension	Distance (e) enc.back/door mm	Ø	G	
V02 and V01	VZ17	300...330	2 x 4.2	15
V0 to V2	VZ30	400...430	2 x 4.2	15
V3 and V4	VZ18	300...320	2 x 5	20
	VZ31	400...420	2 x 5	20

Shaft extension	Distance (e) enc.back/door mm	
V5 and V6	VZ18	300...350
	VZ31	430...450

Switch-disconnectors for modular distribution boards

VV \bullet 0 to VV \bullet 2

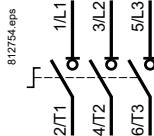
VV \bullet 3 to VV \bullet 4



Schemes

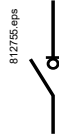
Switch body

V02 and V01
V0 to V6



Main pole module

VZ02 and VZ01
VZ0 to VZ4



Neutral pole module

VZ11 to VZ13



Auxiliary contact blocks

VZ7



VZ20



Switch-disconnectors

Fuse carriers		
Type of product	Range	Pages
Introduction		B4/3
For protection of control circuits or transformer	Up to 25, 32, 50 or 125 A	B4/4
For protection of control circuits or transformer For North American market	Up to 30 A	B4/7
Technical Data for Designers		B4/9





References:
p. B4/4 to B4/7

Characteristics:
p. B4/10, B4/12

Dimensions:
p. B4/11, B4/13

Schemes:
p. B4/11, B4/13

Operation: safety

The fuse carrier performs two basic functions:

- it isolates the downstream circuit by means of a visible break and wide opening contacts,
- it holds the cartridge fuses designed to protect the installation against short-circuits.

The type of cartridge fuse needed to protect the circuit must be determined before selecting the fuse carrier.

Cartridge fuse selection (type, rating, size)

Type

Application	<ul style="list-style-type: none"> ■ Motor protection. ■ Transformer protection.
Solution	<ul style="list-style-type: none"> ■ aM type fuses. These fuses are designed to withstand high current peaks of a very short duration. They must be combined with a thermal overload relay coupled with a contactor.
Application	<ul style="list-style-type: none"> ■ Lighting circuit protection. ■ Supply line protection. ■ Furnace protection.
Solution	<ul style="list-style-type: none"> ■ gG type fuses, which are more widely used but whose limiting capacity is weaker than that of aM type fuses.

Size

Use the "fuse characteristics" table opposite to select the correct fuse size according to:

- the nominal current of the circuit to be protected,
- the operational voltage.

Fuse carrier selection

Application	Isolation of a circuit for safety reasons only.
Solution	The fuse carrier may be fitted with links. The maximum permissible current is indicated in the "pole characteristics" table opposite.
Application	Isolation of a circuit and its protection against short-circuits.
Solution	<p>Select a fuse carrier according to:</p> <ul style="list-style-type: none"> ■ the type of cartridge fuse required, ■ the maximum permissible current in the fuse carrier poles (see "pole characteristics" table opposite). If the operational current is greater than the maximum permissible current in the poles of the fuse carrier corresponding to the cartridge fuse size selected, select the fuse carrier the next size up. <p>The safety provided by using a fuse carrier can be increased by adding a padlocking device with up to three padlocks.</p>

Recommendations for use

The fuse carrier conforms to utilisation category AC-21A/22A of standard IEC 60947-3. It is therefore recommended that the fuse carrier early break auxiliary contacts always be inserted in the coil circuit of the contactor with which it is in series. If the fuse carrier is not associated with a contactor, it is essential to ensure that it will be operated off-load.

TeSys Power

Fuse carriers

Product references - DF type



Description:
p. B4/3

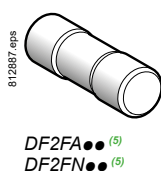
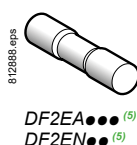
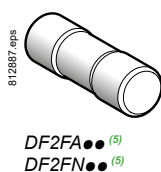
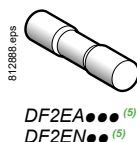
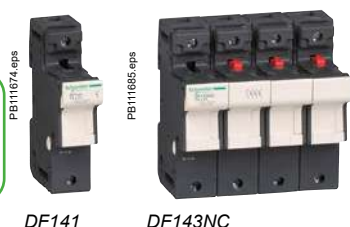
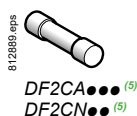
Characteristics:
p. B4/10

Dimensions:
p. B4/11

Schemes:
p. B4/11

For protection of control circuits or transformers

Fuse carriers ⁽¹⁾				
Conventional thermal current (Ith)	Size of cartridge fuse or link	Composition	Sold in lots of	Unit reference
A	mm			
25	8.5 x 32	1 P	12	DF81
		N	12	DF10N
		2 P	6	DF82
		3 P	4	DF83
		3 P + N ⁽²⁾	3	DF83N
32	10 x 38	1 P	12	DF101
		N	12	DF10N
		1 P + N ⁽²⁾	6	DF101N
		2 P	6	DF102
		3 P	4	DF103
		3 P + N ⁽²⁾	3	DF103N
50	14 x 51	1 P	6	DF141
		N	6	DF14N
		2 P	3	DF142
		3 P	2	DF143C ⁽³⁾
		3 P + N ⁽²⁾	1	DF143NC ⁽³⁾
125	22 x 58	1 P	6	DF221
		N	6	DF22N
		2 P	3	DF222
		3 P	2	DF223C ⁽³⁾
		3 P + N ⁽²⁾	1	DF223NC ⁽³⁾



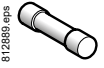
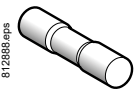
Fuse carriers with "blown fuse" indicators (LED) ^{(1) (4)}				
Conventional thermal current (Ith)	Size of cartridge fuse or link	Composition	Sold in lots of	Unit reference
A	mm			
25	8.5 x 32	2 P	6	DF82V
		3 P	4	DF83V
32	10 x 38	1 P	12	DF101V
		1 P + N ⁽²⁾	6	DF101NV
		2 P	6	DF102V
		3 P	4	DF103V
		3 P + N ⁽²⁾	3	DF103NV
50	14 x 51	1 P	6	DF141V
		3 P	2	DF143VC ⁽³⁾
		3 P + N ⁽²⁾	1	DF143NVC ⁽³⁾
125	22 x 58	3 P	2	DF223VC ⁽³⁾
		3 P + N ⁽²⁾	1	DF223NVC ⁽³⁾

- ⁽¹⁾ Each pole can be marked. A clip-in marker holder is provided for this purpose. DF8●●● and DF10●●● are pad lockable fuse carriers.
- ⁽²⁾ N: neutral pole fitted with a locked tubular link as standard.
- ⁽³⁾ A letter "C" in the reference indicates that the fuse carrier can be fitted with auxiliary early break, "blown fuse" signalling and "fuse present" signalling contacts.
- ⁽⁴⁾ Operational voltage of the blown fuse indicator: 110 V...690 V.
- ⁽⁵⁾ For optional compatible fuses selection by size and by type (aM or gG) please refer to the opposite page B4/5.

TeSys Power

Fuse carriers

Product references - DF type

NFC Cartridge fuses - Type aM / gG - From 0.25 to 125 A							
Fuse type	Maximum rated voltage	Rating	Sold in lots of	Fuses without striker			
				Unit reference			
	V ~	A		aM	gG		
 DF2CA●●●● DF2CN●●	Cylindrical 8.5 x 31.5	400	1	10	-	DF2BN0100	
			2	10	DF2BA0200	DF2BN0200	
			4	10	DF2BA0400	DF2BN0400	
			6	10	DF2BA0600	DF2BN0600	
			8	10	-	DF2BN0800	
			10	10	-	DF2BN1000	
			12	10	-	DF2BN1200	
			16	10	-	DF2BN1600	
			20	10	-	DF2BN2000	
			 DF2EA●●●● DF2EN●●	Cylindrical 10 x 38	500	0.50	10
1	10	DF2CA01				-	
2	10	DF2CA02				DF2CN02	
4	10	DF2CA04				DF2CN04	
6	10	DF2CA06				DF2CN06	
8	10	DF2CA08				DF2CN08	
10	10	DF2CA10				DF2CN10	
12	10	DF2CA12				DF2CN12	
16	10	DF2CA16				DF2CN16	
20	10	-				DF2CN20	
400	20	10				DF2CA20	-
	25	10				DF2CA25	DF2CN25
	32	10				DF2CA32	DF2CN32
	500	16	10	DF2EA16	-		
		20	10	DF2EA20	-		
25		10	DF2EA25	DF2EN25			
400	32	10	DF2EA32	DF2EN32			
	40	10	DF2EA40	DF2EN40			
	50	10	DF2EA50	DF2EN50			
	Cylindrical 14 x 51	690	10	10	-	DF2FN10	
20		10	-	DF2FN20			
25		10	-	DF2FN25			
32		10	-	DF2FN32			
40		10	DF2FA40	DF2FN40			
50		10	DF2FA50	DF2FN50			
400		500	63	10	DF2FA63	DF2FN63	
	80	10	DF2FA80	DF2FN80			
	100	10	DF2FA100	DF2FN100			
	125	10	DF2FA125	-			

812889.eps
DF2CA●●●●
DF2CN●●

812888.eps
DF2EA●●●●
DF2EN●●

812887.eps
DF2FA●●
DF2FN●●

Fuse carriers



For protection of equipment with current peaks
For protection of circuits without significant current peaks

TeSys Power

Fuse carriers - Accessories

Product references - DF type



Description:
p. B4/3

Characteristics:
p. B4/10

Dimensions:
p. B4/11

Schemes:
p. B4/11



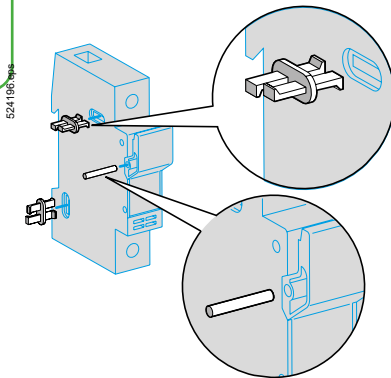
Accessories

Auxiliary early break and "blown fuse" signalling contacts

Fuse carriers to be equipped	Size of cartridge fuse or link	Number of contacts	Sold in lots of	Unit reference
DF14 (3 P or 3 P + N)	14 x 51	1	1	DF14AM1
		2	1	DF14AM2
DF22 (3 P or 3 P + N)	22 X 58	2	1	DF22AM2



Fuse carriers



Detail of assembly clip and pin mounting

Fuse carrier assembly kits ⁽¹⁾

Fuse carriers to be assembled	Size of cartridge fuse or link	Composition	Sold in lots of	Unit reference
DF8	8.5 x 32	1 pin, 2 clips	12	DF10AP
DF10	10 x 38			

(1) 1 pin and 2 clips are required to assemble two DF8 or DF10 fuse carriers together.
1 pin and 3 clips are required to assemble two DF14 or DF22 fuse carriers together.

TeSys Power

Fuse carriers for North American market

Product references - DF type



Description:
p. B4/3

Characteristics:
p. B4/12

Dimensions:
p. B4/13

Schemes:
p. B4/13

For protection of control circuits or transformers

References



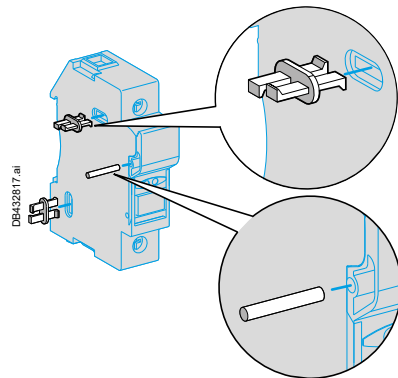
PE120827.eps

DFCC1



PE120828.eps

DFCC3V



DB4-32817.ai

Detail of assembly clip and pin mounting

Fuse carriers ⁽¹⁾

Conventional thermal current (Ith)	Size of cartridge fuse or link	Composition	Sold in lots of	Unit reference
A				
30	Class CC	1 P	12	DFCC1
		2 P	12	DFCC2
		3 P	6	DFCC3

Fuse carriers with "blown fuse" indicators (LED) ^{(1) (2)}

Conventional thermal current (Ith)	Size of cartridge fuse or link	Composition	Sold in lots of	Unit reference
A				
30	Class CC	1 P	12	DFCC1V
		2 P	6	DFCC2V
		3 P	6	DFCC3V

Fuse carrier assembly kits ⁽³⁾

Fuse carriers to be assembled	Size of cartridge fuse or link	Composition	Sold in lots of	Unit reference
DFCC	Class CC	1 pin, 2 clips	12	DF10AP

⁽¹⁾ Each pole can be marked. A clip-in marker holder is provided for this purpose. Clip-in markers type AB1R● or AB1G● can also be used.

DFCC fuse holders are pad lockable.

⁽²⁾ Operational voltage of the blown fuse indicator: 230 V...690 V.

⁽³⁾ 1 pin and 2 clips are required to assemble two DFCC fuse carriers together.

Fuse carriers


TeSys Power

Fuse carriers, handles and accessories

Product references

Fuse
carriers

DF101	DF2CA10
DF101N	DF2CA12
DF101NV	DF2CA16
DF101PV	DF2CA20
DF101V	DF2CA25
DF102	DF2CA32
DF102V	DF2CN02
DF103	DF2CN04
DF103N	DF2CN06
DF103NV	DF2CN08
DF103V	DF2CN10
DF10AP	DF2CN12
DF10N	DF2CN16
DF141	DF2CN20
DF141N	DF2CN25
DF141NV	DF2CN32
DF141V	DF2EA16
DF142	DF2EA20
DF142V	DF2EA25
DF143C	DF2EA32
DF143NC	DF2EA40
DF143NVC	DF2EA50
DF143VC	DF2EN25
DF14AM1	DF2EN32
DF14AM2	DF2EN40
DF14AP	DF2EN50
DF14N	DF2FA40
DF221	DF2FA50
DF221N	DF2FA63
DF221NV	DF2FA80
DF221V	DF2FA100
DF222	DF2FA125
DF222V	DF2FN10
DF223C	DF2FN20
DF223NC	DF2FN25
DF223NVC	DF2FN32
DF223VC	DF2FN40
DF22AM1	DF2FN50
DF22AM2	DF2FN63
DF22AP	DF2FN80
DF22N	DF2FN100
DF2BA0200	DF81
DF2BA0400	DF81N
DF2BA0600	DF81NV
DF2BN0100	DF81V
DF2BN0200	DF82
DF2BN0400	DF82V
DF2BN0600	DF83
DF2BN0800	DF83N
DF2BN1000	DF83NV
DF2BN1200	DF83V
DF2BN1600	DFCC1
DF2BN2000	DFCC1V
DF2CA005	DFCC2
DF2CA01	DFCC2V
DF2CA02	DFCC3
DF2CA04	DFCC3V
DF2CA06	DK1CB92
DF2CA08	

This document is current.  Click on the product reference to get the most recent availability status (hyperlink to [se.com](https://www.se.com) product datasheet).
If your product variant is no longer available, please consult your distributor or regional sales office.

Technical Data for Designers

Contents

DF type:

- > Characteristics B4/10
- > Dimensions and schemes B4/11

DF type for the North American market:

- > Characteristics B4/12
- > Dimensions and schemes B4/13



Description:
p. B4/3

References:
p. B4/4 to B4/6

Dimensions:
p. B4/11

Schemes:
p. B4/11

Environment characteristics

Fuse carrier type		DF8	DF10	DF14	DF22
Conforming to standards		IEC/EN 60947-3, IEC/HD 60269-2	IEC/EN 60947-3 ⁽¹⁾ , IEC/HD 60269-2, R22HL2, UL 4248-1 ⁽²⁾ , CSA C22.2 No 4248-1 ⁽²⁾	IEC/EN 60947-3, UL 4248-1, CSA C22.2 No 4248-1	
Product certification		IEC, EAC, CCC, UKCA	IEC, UL, CSA, EAC, DNV-GL, CCC, UKCA	IEC, UL, CSA, EAC, UKCA	
Degree of protection	Conforming to IEC 60529	IP 20			
Ambient air temperature	Storage	°C	-40...+80		
	For operation, with derating ⁽¹⁾	°C	-20...+60		
Operating positions		± 23° in relation to normal mounting plane			
Flame resistance	Conforming to IEC 60695-2-1	°C	960		

Pole characteristics

Fuse size	mm	8.5 x 32	10 x 38	14 x 51	22 x 58					
Maximum power dissipated by fuse	W	2.50	3.00	5.00	9.50					
Rated insulation voltage (Ui) with tubular links, a.c. or D.C. supply	V	500	690	690	690					
Rated impulse withstand voltage (Uimp)	kV	6	6	8	8					
Conventional thermal current (Ith) for ambient air temperature ≤ 20 °C ⁽³⁾	With tubular links	A	25	32	50	125				
	With aM cartridge fuses	A	25	32	50	125				
	With gG cartridge fuses	A	25	32	50	100				
Rated conditional short-circuit current Conforming to IEC 60947-3	400 V	kA	20	120	120	120				
	500 V	kA	–	120	120	120				
	690 V	kA	–	–	80	80				
Peak withstand current (dynamic stress) Conforming to IEC 60269-1	With tubular links	kA	11	15	15	19				
Cabling (number of conductors x c.s.a.)	Solid cable	mm ²	Min.	Max.	Min.	Max.	Min.	Max.		
			1 x 1	1 x 16 2 x 6	1 x 1	1 x 16 2 x 6	1 x 2.5	1 x 25 2 x 10	1 x 2.5	1 x 35 2 x 25
	Flexible cable without cable end	mm ²	1 x 1	1 x 10 2 x 6	1 x 1	1 x 10 2 x 6	1 x 2.5	1 x 25 2 x 10	1 x 2.5	1 x 35 2 x 16
			Flexible cable with cable end	mm ²	1 x 1	1 x 10 2 x 6	1 x 1	1 x 10 2 x 6	1 x 2.5	1 x 25 2 x 10
Tightening torque	Nm	2.2			3.5		4			

Characteristics of early break and signalling contacts DF14 AM and DF22 AM

Rated insulation voltage (Ui) a.c. supply	V	250				
Conventional thermal current (Ith) for ambient air temperature ≤ 20 °C ⁽¹⁾	A	5				
Rated operational current		24 V	48 V	127 V	240 V	
	Category AC-15	A	4	4	3	2.5
	Category DC-13	A	3	1	0.2	0.1
Definition of rated characteristics	Conforming to IEC 60947-5-1	B300				
Low load operating characteristics	Minimum voltage	V	10			
	Minimum current	mA	30			
Cabling		Faston connectors				

⁽¹⁾ DF101PV excluded.

⁽²⁾ DF101PV add UL/CSA 4248-19.

⁽³⁾ For use in an installation with ambient temperature > 20 °C, apply a derating coefficient:

Maximum temperature	20 °C	30 °C	40 °C	50 °C	60 °C
Max. relative humidity	95 %	90 %	80 %	50 %	50 %
Current derating coefficient	1	0.95	0.9	0.8	0.7

Number of poles (each side)	1 to 3	4 to 6	≥ 7
Current derating coefficient	1	0.95	0.9

TeSys Power

Fuse carriers

Dimensions, schemes - DF type



Description:
p. B4/3

References:
p. B4/4 to B4/6

Characteristics:
p. B4/10

Dimensions

Modular fuse carriers 25 A and 32 A

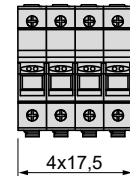
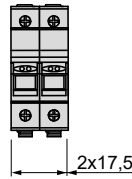
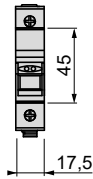
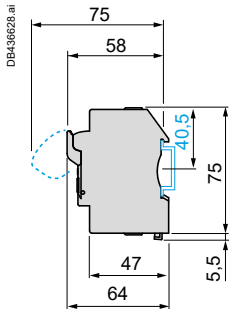
Mounting on 35 mm rail

DF81 and DF81V
DF101 and DF101V
DF10N

DF81N and DF81NV
DF82 and DF82V
DF101N and DF101NV
DF102 and DF102V

DF83 and DF83V
DF103 and DF103V

DF83N and DF83NV
DF103N and DF103NV



Modular fuse carriers 50 A

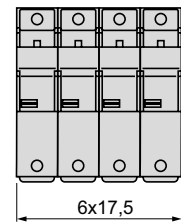
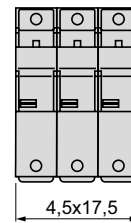
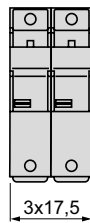
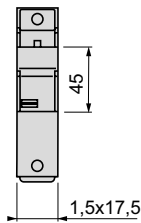
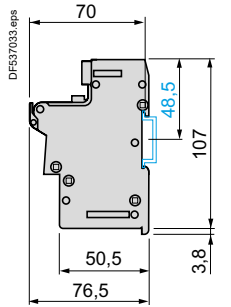
Mounting on 35 mm rail

DF141 and DF141V
DF14N

DF141N and DF141NV
DF142 and DF142V

DF143C and DF143VC

DF143NC and DF143NVC



Modular fuse carriers 125 A

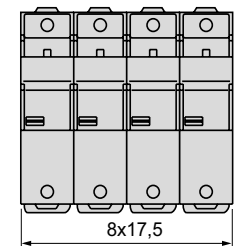
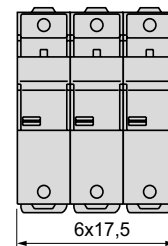
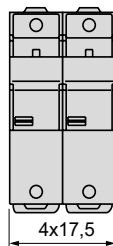
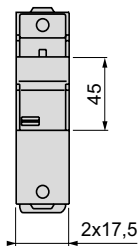
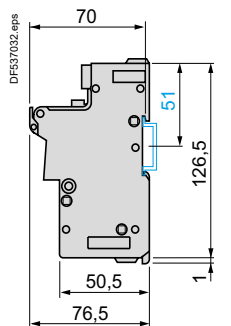
Mounting on 35 mm rail

DF221 and DF221V
DF22N

DF221N and DF221NV
DF222 and DF222V

DF223C and DF223VC

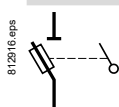
DF223NC and DF223NVC



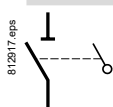
Schemes

Modular fuse carriers

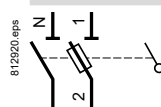
DF●1P



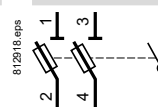
DF●N



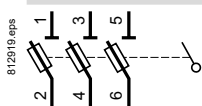
DF●1P + N



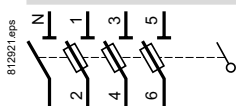
DF●2P



DF●3P



DF●3P + N



Fuse carriers

TeSys Power

Fuse carriers for North American market

Characteristics - DF type



Description:
p. B4/3

References:
p. B4/7

Dimensions:
p. B4/13

Schemes:
p. B4/13

Environment characteristics

Fuse carrier type		DFCC	
Conforming to standards		UL 4248-1 & 4, CSA 22-2 No 4248-1 & 4	
Product certification		UL, CSA, CCC, UKCA	
Degree of protection	Conforming to IEC 60529	IP 20	
Ambient air temperature	Storage	°C	-40...+80
	For operation, with derating ⁽¹⁾	°C	-20...+60
Operating positions	Without derating	±23° in relation to normal vertical mounting plane	
Flame resistance	Conforming to IEC 60695-2-1	°C	960

Pole characteristics

Fuse carrier type		DFCC	
Fuse size		Class CC	
Maximum power dissipated by fuse		W	3.00
Rated insulation voltage (U _i) with tubular links, a.c. supply		V	600
Rated impulse withstand voltage (U _{imp})		kV	6
Conventional thermal current (I _{th}) for ambient air temperature ≤ 40 °C ⁽¹⁾			
	With tubular links	A	30
	With aM cartridge fuses	A	30
	With gG cartridge fuses	A	30
Short-circuit current withstand With UL 248-4 Class CC fuses			
	Conforming to UL 512 at 600 V	kA	200
Cabling (number of conductors x c.s.a.)			
	Solid cable	mm ²	1 x 1.5
			1 x 16 2 x 6
	Flexible cable without cable end	mm ²	1 x 1.5
			1 x 10 2 x 6
	Flexible cable with cable end	mm ²	1 x 1.5
			1 x 10 2 x 6
Tightening torque		Nm	2.2

⁽¹⁾ For use in an installation with ambient temperature > 20 °C, apply a derating coefficient:

Maximum temperature	20 °C	30 °C	40 °C	50 °C	60 °C
Max. relative humidity	95 %	90 %	80 %	50 %	50 %
Current derating coefficient	1	0.95	0.9	0.8	0.7

Fuse
carriers

TeSys Power

Fuse carriers for North American market

Dimensions, schemes - DF type



Description:
p. B4/3

References:
p. B4/7

Characteristics:
p. B4/12

Dimensions

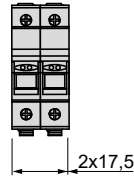
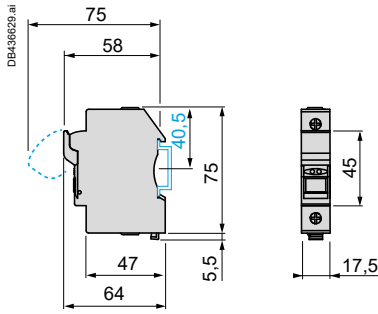
Modular fuse carriers 30 A

Mounting on 35 mm rail

DFCC1 and DFCC1V

DFCC2 and DFCC2V

DFCC3 and DFCC3V



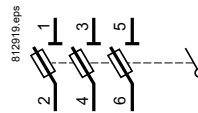
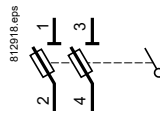
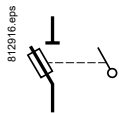
Schemes

Modular fuse carriers

DFCC1P

DFCC2P

DFCC3P



Fuse carriers

Introduction

B5/2

Switch-disconnector fuses

Type of product	Range		Pages
IEC - Switch-disconnector fuses For NFC / DIN fuses	From 32 to 1250 A		B5/4
IEC - Switch-disconnector fuses For BS fuses	From 32 to 1250 A		B5/6
UL - Switch-disconnector fuses For CC / J fuses	From 30 to 800 A		B5/8
NFC - Cartridge fuses Type aM, gG	From 0.16 to 125 A		B5/10
Auxiliary contacts for IEC and UL switch-disconnector fuses	From 32 to 1250 A		B5/11
Handles	From 32 to 1250 A		B5/12
Other accessories	From 32 to 1250 A		B5/13

Switch-
disconnector
fuses

Technical Data for Designers

B5/15

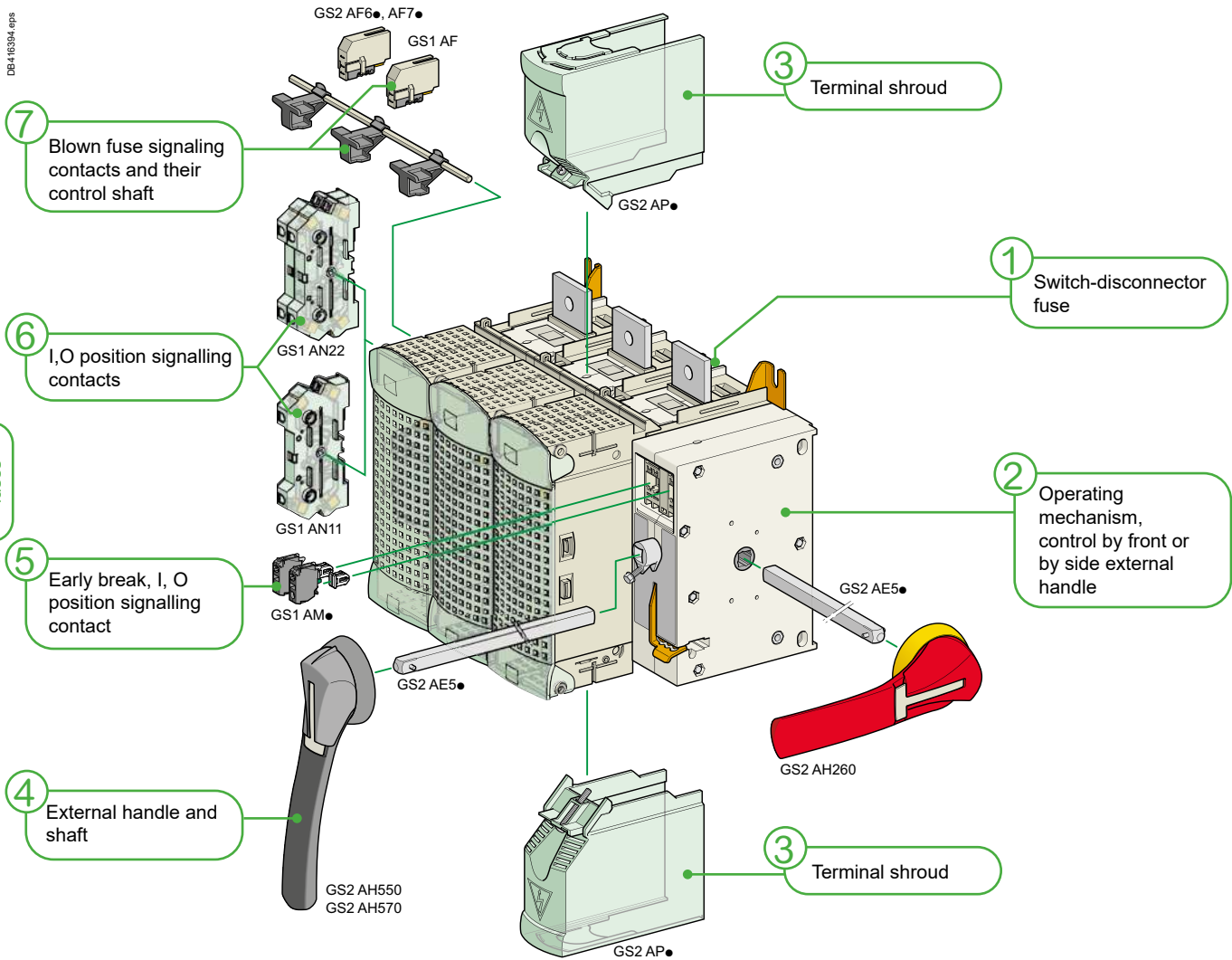
TeSys Power

Switch-disconnector fuses

Introduction

A customizable functional block

Whatever its rating, the switch-disconnector fuse fits the need: particular position of the handle, triggering of an automatic control before full opening, enhanced protection of terminals...



Switch-disconnector fuses



Customizable

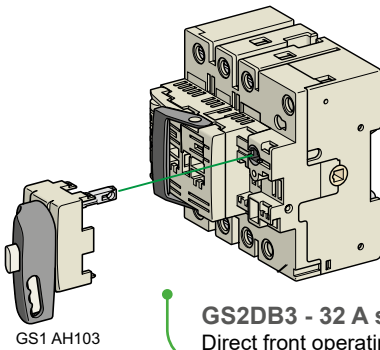
GS2630 A switch-disconnector fuse

- 1 Switch-disconnector fuse**
 - NFC/DIN or BS fuse compatible
 - Enhanced isolation between poles
 - On-load making/breaking with double break isolation of the power circuit
- 2 Operating mechanism**
 - For one front or side external handle, right or left side
 - Cavity for early-break contacts
- 3 Terminal shrouds**
 - For use when the switch-disconnector fuse is installed outside an enclosure or when the operating voltage is over 500 V AC
- 4 Operating handle**
 - Padlockable in open position
- 5 GS1AM●●● Early-break signalling contacts**
 - Activated before the poles are opened
- 6 GS1AN●● Position signalling contacts**
 - Synchronized with the poles operation
- 7 GS1AF●● Blown fuse signalling contacts**
 - A missing fuse is also indicated

Simplicity of the direct operating

The mounting of an operating handle directly on the side of the switch-disconnector fuse is a simple operation. This handle will be for use by qualified personnel only. As the mechanical design is simplified, the manoeuvre will be immediately understood by the operator. Each handle can be padlocked in open position. Locking device for 3 padlocks.

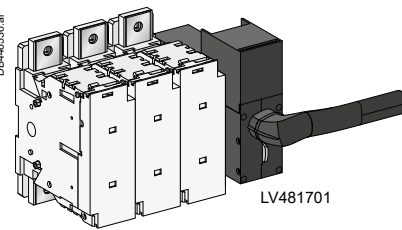
DB416396.eps



GS1 AH103

GS2DB3 - 32 A switch-disconnector fuse
Direct front operating

DB446536.ai



LV481701

GS2K3 - 125 A switch-disconnector fuse
Direct front operating

Performance remote operating

Located on the front or side panel of an enclosure, the operating handle provide complementary features:

- simple (IP55) or reinforced (IP65) protection against dust
- intermediate "Test" position
- door interlock when the handle is in "Close" position, opening by mean of a special tool is needed for opening.
- optional key-operated handle lock

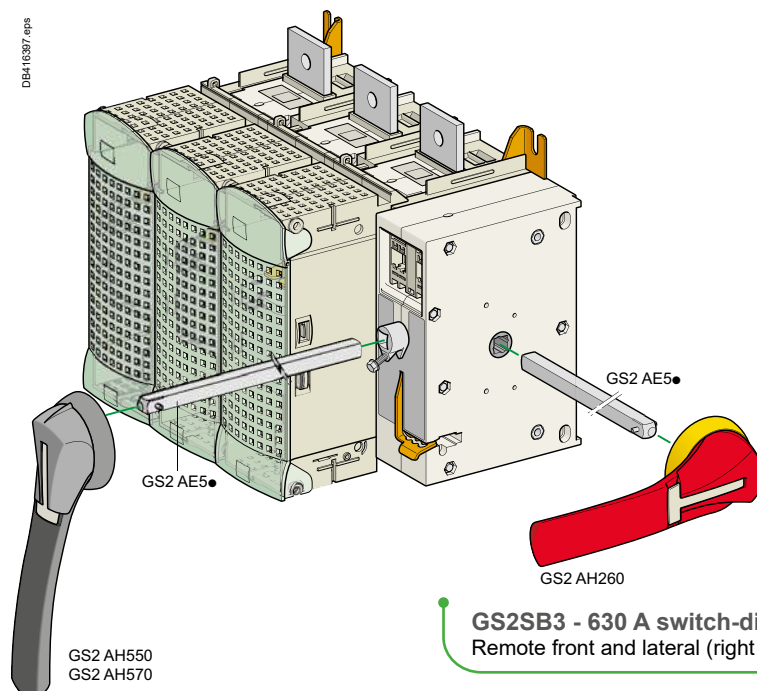


The handles are available in different lengths. They are chosen according the operating effort which depends on the rating of the switch-disconnector fuse.

The drive shaft can be cut to the ideal length.

The choice of a red and yellow handle (CNOMO standard) will identify an "Emergency Stop handle" among others handles, generally grey and black.

DB416397.eps



GS2 AH550
GS2 AH570

GS2 AH260

GS2SB3 - 630 A switch-disconnector fuse
Remote front and lateral (right only) operating



Characteristics:
p. B5/16 to B5/17

Dimensions:
p. B5/23 to B5/26

Schemes:
p. B5/30

IEC - For NFC / DIN fuses - From 32 to 1250 A



GS1DD3



GS2F3



GS2K4

Rating	A	32	50	63	100	125	
Number of poles		3	3+N	3	4	3	4
Fuse size		10 x 38	14 x 51	Size 000	22 x 58	22 x 58	

For external left hand side-mounted operators

Switch-disconnector fuses reference	GS1DD3	GS1DD4	GS2FG3	GS2FG4	GS2GG3	GS2GG4	GS2JG3	GS2JG4	GS2KG3	GS2KG4
Handle	Grey/Black Red/Yellow	IP65					GS2AH330 GS2AH340			
Auxiliary contacts	O/I + Test	1NO + 1NC								
		2NO + 2NC		GS1AN22G						
	O/I + early break	1NO								
		2NO								
Blown fuse			GS1AF1				GS1AF23	GS1AF24	GS1AF23	GS1AF24

For direct handle, external front-mounted and right-hand side-mounted operators

Switch-disconnector fuses reference	GS1DD3	GS1DD4	GS2F3	GS2F4	GS2G3	GS2G4	GS2J3	GS2J4	GS2K3	GS2K4
Direct handle	GS1AH103	GS1AH103	LV481701	LV481701	LV481701	LV481701	LV481701	LV481701	LV481701	LV481701
Front-mounted handle	Grey/Black Red/Yellow	IP55 IP65					GS2AH535 GS2AH530 GS2AH540			
Front-mounted handle + Test position	Grey/Black Red/Yellow	IP65 IP65					GS2AHT530 GS2AHT540			
RH side-mounted handle	Grey/Black Red/Yellow	IP55 IP65					GS2AH235 GS2AH230 GS2AH240			
Auxiliary contacts	O/I + Test	1NO + 1NC			GS1AN11					
		2NO + 2NC			GS1AN22					
		1NO + 1NC + test			GS1ANT11					
		2NO + 2NC + test			GS1ANT22					
	O/I + Test + early break	1NO			GS1AM110					
		1NC								
Blown fuse			GS1AF1				GS1AF23		GS1AF23	

Accessories

Shaft for external handle (mm)	200	GS2AE82	GS2AE22
	320	GS2AE8	GS2AE2
	400	GS2AE81	GS2AE21
Terminal shroud ⁽¹⁾	Integrated		GS1AP33 (3P), GS1AP34 (4P)

Dimensions

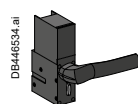
Direct front-mounted version	page B5/23	page B5/24
External front-mounted version	page B5/23	page B5/24
Optional fuse	page B5/10	

⁽¹⁾ The use of Terminal shrouds on TeSys GS is mandatory for operational voltages $U_e \geq 500$ V AC or when the product is used outside an enclosure.

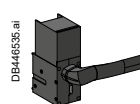
Direct handles



GS1AH103



LV481701



LV481702

Extended handles



GS2AH10
GS2AH20



GS2AH30
GS2AH40



GS2AH50
GS2AH60



GS2AH70
GS2AH80



See details on handles page B5/12.



Characteristics:
p. B5/16 to B5/17

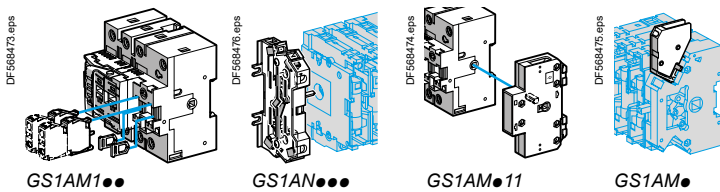
Dimensions:
p. B5/23 to B5/26

Schemes:
p. B5/30

GS2KK3		GS2LL4		GS2N3										
125		160		250		400		630		1250				
3	4	3	4	3	4	3	4	3	4	3	4			
Size 00		Size 00		Size 0		Size 1		Size 2		Size 3				
GS2KKG3	GS2KKG4	GS2LLG3	GS2LLG4	GS2LG3	GS2LG4	GS2NG3	GS2NG4	GS2QQG3	GS2QQG4	GS2SG3	GS2SG4	GS2VG3	GS2AH104	GS2AH105B
GS2AH330														
GS2AH340														
GS1AN11G														
GS1AN22G														
GS1AM110														
GS1AM101														
-				GS1AF33	-	GS1AF43	-	GS1AF43	-	-	-	-	-	-
GS2KK3	GS2KK4	GS2LL3	GS2LL4	GS2L3	GS2L4	GS2N3	GS2N4	GS2QQ3	GS2QQ4	GS2S3	GS2S4	GS2V3	GS2V4	GS2AH105B
LV481701	LV481701	LV481701	LV481701	LV481701	LV481701	LV481702	LV481702	LV481702	LV481702					
GS2AH535														
GS2AH530										GS2AH550		GS2AH570		
GS2AH540										GS2AH560		-		
GS2AHT530														
GS2AHT540														
GS2AH235														
GS2AH230														GS2AH250
GS2AH240														
GS1AN11														
GS1AN22														
GS1ANT11														
GS1ANT22														
GS1AM110														
GS1AM101														
-				GS1AF33	-	GS1AF43	-	GS1AF43	-	GS2AF63	-	GS2AF73	GS2AF74	
GS2AE22														
GS2AE2														GS2AE5
GS2AE21														GS2AE51
GS1AP33 (3P), GS1AP34 (4P)						GS1AP43 (3P), GS1AP44 (4P)				GS2AP73	GS2AP64	GS2AP83	-	
page B5/24										page B5/25				
page B5/24										page B5/26				

Switch-disconnector fuses

Auxiliary contacts



GS1AM1●●

GS1AN●●●

GS1AM●11

GS1AM●

Maximal number of auxiliary contacts

Switch rating (A)	Standard configuration	With additional bracket	Reference of additional bracket
30...32	4	4	GS1AD10 ⁽¹⁾
32...400	4	4	GS2AD20 ⁽²⁾
200...400	8	8	GS2AD20 ⁽²⁾
630...1250	8	-	-

(1) Only compatible with switch disconnector fuses starting by GS1D●●
 (2) Only compatible with switch disconnector fuses starting by GS2●●●



See details on auxiliary contacts, page B5/11.

TeSys Power

Switch-disconnector fuses

Product references



Characteristics:
p. B5/18 to B5/19

Dimensions:
p. B5/23 to B5/26

Schemes:
p. B5/30

IEC - For BS fuses - From 32 to 1250 A



GS1DDB3



GS2JB3

Rating	A	32				63		100		160	
Number of poles		3	3+N	3	4	3	4	3	4	3	4
Fuse size		A1		A1		A2-A3		A4		B1-B2	

For direct handle, external front-mounted and right-hand side-mounted operators

Switch-disconnector fuses reference			GS1DDB3	GS1DDB4	GS2DB3	GS2DB4	GS2GB3	GS2GB4	GS2JB3	GS2JB4	GS2LLB3	-	GS2LB3	-
Direct handle			GS1AH103	GS1AH103	LV481701	LV481701	LV481701	LV481701	LV481701	LV481701	LV481701	-	LV481701	-
Front-mounted handle	Grey/Black	IP55	GS2AH515						GS2AH535					
	Grey/Black	IP65	GS2AH510						GS2AH530					
	Red/Yellow	IP65	GS2AH520						GS2AH540					
Front-mounted handle + Test position	Grey/Black	IP65	GS2AHT510						GS2AHT530					
	Red/Yellow	IP65	-						GS2AHT540					
RH side-mounted handle	Grey/Black	IP55	-						GS2AH235					
	Grey/Black	IP65	GS2AH210						GS2AH230					
	Red/Yellow	IP65	-						GS2AH240					
Auxiliary contacts	O/I + Test	1NO + 1NC	-			GS1AN11								
		2NO + 2NC	-			GS1AN22								
	1NO + 1NC + test	-			GS1ANT11									
		-			GS1ANT22									
	O/I + Test + early break	1NO	GS1AM110 - max 4 contacts											
	1NC	-												

Accessories

Shaft for external handle (mm)	200	GS2AE82	GS2AE22	
	320	GS2AE8	GS2AE2	
	400	GS2AE81	GS2AE21	
Terminal shroud ⁽¹⁾		Integrated		GS1AP33 (3P), GS1AP34 (4P)

Dimensions

	Direct front-mounted version	page B5/23	page B5/24
	External front-mounted version	page B5/23	page B5/24

⁽¹⁾ The use of Terminal shrouds on TeSys GS is mandatory for operational voltages $U_e \geq 500$ V AC or when the product is used outside an enclosure.



Characteristics:
p. B5/18 to B5/19

Dimensions:
p. B5/23 to B5/26

Schemes:
p. B5/30



GS2MMB3



GS2SB3

200		250		315		400		630		800	
3	4	3	4	3	4	3	4	3	4	3	4
B1-B2		B1...B3		B1...B3		B1...B4		C1-C2		C1...C3	
GS2MMB3	-	GS2NB3	-	GS2PPB3	-	GS2QQB3	-	GS2SB3	-	GS2TB3	-
LV481702	-	LV481702	-	LV481702	-	LV481702	-	GS2AH105B	-	GS2AH105B	-
GS2AH535											
GS2AH530											
GS2AH540											
GS2AHT530											
GS2AHT540											
GS2AH235											
GS2AH230											
GS2AH240											
GS1AN11											
GS1AN22											
GS1ANT11											
GS1ANT22											
GS1AM110 - max 8 contacts											
-											
GS2AE22											
GS2AE2											
GS2AE21											
GS1AP43 (3P), GS1AP44 (4P)											
GS2AE52											
GS2AE5											
GS2AE51											
GS2AP73 (3P), GS2AP64 (4P)											
page B5/24						page B5/25					
page B5/24						page B5/26					

Switch-
disconnector
fuses



Characteristics:
p. B5/20 to B5/21

Dimensions:
p. B5/27 to B5/29

Schemes:
p. B5/30

UL - For CC and J fuses - From 32 to 800 A



GS1DU3



GS2GU3N

Rating	A	30 Compact	30	60	100
Number of poles		3	3	3	3
Fuse size		CC J	CC J	J	J

For direct operators

Switch-disconnector fuses reference			GS1DDU3	GS1DU3	-
Handle	Black		-	-	-
Auxiliary contacts	O/I + Test	1NO + 1NC	-	-	-
		2NO + 2NC	-	-	-
O/I + early break	1NO		GS1AM110 + GS1AD10	-	-
	1NC		-	-	-

For external front-mounted operators

Switch-disconnector fuses reference			GS1DDU3	GS1DU3	GS2EEU3	GS2EU3N	GS2GU3N	GS2JU3N
Front-mounted handle	Grey/Black	1,3R, 12	GS2AH110		GS2AH130			
		4, 4X	GS2AH410		GS2AH430			
Front-mounted handle + Test position	Red/Yellow	1,3R, 12	GS2AH120		GS2AH140			
		4, 4X	GS2AH420		GS2AH440			
Auxiliary contacts	O/I + Test	1NO + 1NC	-		GS1AN11			
		2NO + 2NC	-		GS1AN22			
O/I + Test + early break	1NO		GS1AM110 - max 4 contacts ⁽¹⁾		GS1AM110 - max 4 contacts ⁽¹⁾			
		1NC	-		-			

Accessories

Shaft for external handle (mm)	320	GS2AE8	GS2AE2
	400	GS2AE81	GS2AE21
Terminal shroud ⁽²⁾		Integrated	

Dimensions

	Direct front-mounted version	page B5/23		page B5/24
	External front-mounted version	page B5/23		page B5/24

⁽¹⁾ 4 more contacts allowed with GS1AD10 additional bracket.

⁽²⁾ The use of Terminal shrouds on TeSys GS is mandatory for operational voltages $U_e \geq 500$ V AC or when the product is used outside an enclosure.



Characteristics:
p. B5/20 to B5/21

Dimensions:
p. B5/27 to B5/29

Schemes:
p. B5/30



GS2QU3N



GS2TU3

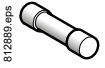
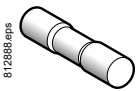
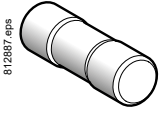
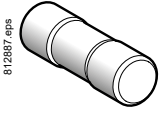
200	400	600	800
3	3	3	3
J	J	J	J
-	-	-	-
-	-	-	-
-	-	-	-
-	-	-	-
-	-	-	-
GS2MU3N	GS2QU3N	GS2SU3	GS2TU3
GS2AH130		-	
GS2AH430		GS2AH150	
GS2AH140		-	
GS2AH440		GS2AH160	
-		-	
-		-	
-		-	
-		-	
GS1AN11			
GS1AN22			
GS1ANT11		-	
GS1ANT22		-	
GS1AM110 - max 8 contacts ⁽¹⁾		GS1AM110 - max 8 contacts only	
-		-	
GS2AE2		GS2AE5	
GS2AE21		GS2AE51	
GS2AP43	GS2AP53	GS2AP73	
page B5/24		page B5/25	
page B5/24		page B5/26	

Switch-disconnector fuses

TeSys Power

Switch-disconnector fuses

Product references

NFC Cartridge fuses - Type aM / gG - From 0.25 to 125 A									
Fuse type	Maximum rated voltage	Rating	Sold in lots of	Fuses without striker					
				Unit reference					
	V~	A		aM	gG				
 DF2CA●●●● DF2CN●●	Cylindrical 8.5 x 31.5	400	1	10	-	DF2BN0100			
			2	10	DF2BA0200	DF2BN0200			
			4	10	DF2BA0400	DF2BN0400			
			6	10	DF2BA0600	DF2BN0600			
			8	10	-	DF2BN0800			
			10	10	-	DF2BN1000			
			12	10	-	DF2BN1200			
			16	10	-	DF2BN1600			
			20	10	-	DF2BN2000			
			 DF2EA●●●● DF2EN●●	Cylindrical 10 x 38	500	0.50	10	DF2CA005	-
1	10	DF2CA01				-			
2	10	DF2CA02				DF2CN02			
4	10	DF2CA04				DF2CN04			
6	10	DF2CA06				DF2CN06			
8	10	DF2CA08				DF2CN08			
10	10	DF2CA10				DF2CN10			
12	10	DF2CA12				DF2CN12			
16	10	DF2CA16				DF2CN16			
20	10	-				DF2CN20			
 DF2FA●●●● DF2FN●●●●	Cylindrical 14 x 51	400				20	10	DF2CA20	-
						25	10	DF2CA25	DF2CN25
						32	10	DF2CA32	DF2CN32
			500	16	10	DF2EA16	-		
				20	10	DF2EA20	-		
 DF2FA●●●● DF2FN●●●●	Cylindrical 14 x 51	500	25	10	DF2EA25	DF2EN25			
			32	10	DF2EA32	DF2EN32			
			40	10	DF2EA40	DF2EN40			
			400	50	10	DF2EA50	DF2EN50		
			Cylindrical 22 x 58	690	10	10	-	DF2FN10	
					20	10	-	DF2FN20	
					25	10	-	DF2FN25	
					32	10	-	DF2FN32	
					40	10	DF2FA40	DF2FN40	
					50	10	DF2FA50	DF2FN50	
500	63	10			DF2FA63	DF2FN63			
	80	10	DF2FA80	DF2FN80					
	100	10	DF2FA100	DF2FN100					
400	125	10	DF2FA125	-					

Switch-disconnector fuses



For protection of equipment with current peaks
For protection of circuits without significant current peaks

TeSys Power

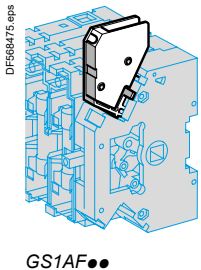
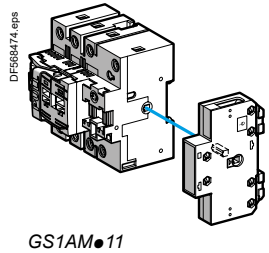
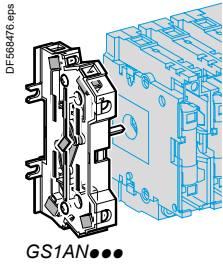
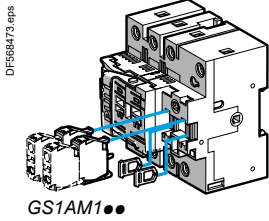
Switch-disconnector fuses - Auxiliary contacts

Product references

Characteristics:
p. B5/22

Dimensions:
p. B5/30

Schemes:
p. B5/30



Auxiliary contacts for IEC and UL switch-disconnector fuses

Auxiliary early break and/or O, I and Test position signalling contacts ^{(1) (2) (3)}						
Switch rating	Contact type	Type of operator	Rated operating current I _e (A)		Reference	
A (IEC)	A (UL)		< 24 V DC	< 240 V AC		
32...1250	30 Compact	1 N/O	2.8	3	GS1AM110	
	30...800	1 N/C	2.8	3	-	

Auxiliary O, I and Test position signalling contacts ^{(3) (5)}						
Switch rating	Contact type	Type of operator	Rated operating current I _e (A)		Reference	
A (IEC)	A (UL)		< 24 V DC	< 240 V AC		
Auxiliary O and I position signalling contacts						
50...1250	30...800	1 N/C + 1 N/O	-	10	GS1AN11	
		2 N/C + 2 N/O	-	10	GS1AN22	
			-	10	-	

Auxiliary early break O and I position signalling contacts						
Switch rating	Contact type	Type of operator	Rated operating current I _e (A)		Reference	
A (IEC)			< 24 V DC	< 240 V AC		
32	1 C/O	-	12	4	GS1AM111*	
	2 C/O	-	12	4	-	
50...400	1 C/O	Direct, RH side	12	4	GS1AM1*	
	2 C/O	Direct, RH side	12	4	GS1AM2*	

Auxiliary "blown fuse" signalling contacts for use with NF C and DIN fuses ⁽⁶⁾						
Contact type	Switch rating	Fuse size	Number of poles	Rated operating current I _e (A)		Reference
	A (IEC)			< 24 V DC	< 240 V AC	
1 st C/O	50	14 x 51	3 or 4	12	4	GS1AF1*
	100 and 125	22 x 58	3	12	4	GS1AF23*
			4	12	4	-
	160	Size 0	3	12	4	GS1AF33*
			4	12	4	-
	250 and 400	Size 1 and Size 2	3	12	4	GS1AF43*
			4	12	4	-
2 nd C/O	630	Size 3	3	12	4	GS2AF63*
			4	12	4	-
	1250	Size 4	3	12	4	GS2AF73*
			4	12	4	GS2AF74*
				4	12	4

(* Not for UL switch-disconnector.

- (1) For 32 A (IEC), 30 (UL) switch-disconnector fuses, these auxiliary contacts allow:
- early break and O and I position signalling, - O and I position signalling,
 - O, I and Test position signalling, - Test position signalling.
- For 50 to 400 A (IEC), 30-400 A (UL) switch-disconnector fuses, they allow:
- early break, - O and I position signalling,
 - O, I and Test position signalling, - Test position signalling.
- For 630 and 1250 A (IEC), 630 and 800 A (UL) switch-disconnector fuses, they allow:
- early break and O and I position signalling.

(2) Maximum number of auxiliary contacts:

Switch rating	A (UL)	Number of contacts on the GS●● block	Number of contacts with additional bracket	Reference of additional bracket
32 ⁽⁷⁾	30 Compact	CC 4	4 + 4	GS1AD10
		J 2	2 + 4	GS1AD10

(3) The Test position allows testing of the control circuits off-load. Auxiliary contacts GS1AM110, GS1AM101 and GS1ANT●● only allow the test function with external handles GS2AHT●●●.

(4) These auxiliary contacts can also be used with 630, 800 and 1250 A switch-disconnector fuses fitted with a direct front-mounted operator.

(5) Reversible add-on attachments for converting an N/C contact to an N/O contact and vice versa.

(6) For striker fuses (BS fuses are not available with striker).

(7) For GS1DDB3 fuse switch disconnector only.

Switch-disconnector fuses

TeSys Power

Switch-disconnector fuses - Handles

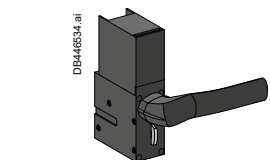
Product references



Dimensions:
p. B5/23 to B5/29



GS1AH103



LV481701



GS2AH10
GS2AH20



GS2AH30
GS2AH40



GS2AH50
GS2AH60



GS2AH70
GS2AH80

Switch-disconnector fuses

Handles for IEC and UL switch-disconnector fuses

Handles for direct operators

Switch rating	Type of operator	Handle colour	Reference	
A (IEC)	A (UL)			
Handles for direct operators, padlockable				
32	-	Front	Black	GS1AH103
50...160	-	Front	Black	LV481701
250...400	-	Front	Black	LV481702
630 and 800	-	Front	Black	GS2AH105B
1250	-	Front	Black	GS2AH105B

Handles for external operator

Switch rating	Handle colour	Degree of protection	Protection index Nema	Reference
A (IEC)	A (UL)			
Handles for front-mounted external operators, padlockable and lockable in position O⁽¹⁾				
Door interlock in I position⁽²⁾				

32...63	-	Grey/Black	IP 65	-	GS2AH510
		Red/Yellow	IP 55	-	GS2AH515
100...400	-	Grey/Black	IP 65	-	GS2AH520
		Red/Yellow	IP 65	-	GS2AH530
630 and 800	-	Grey/Black	IP 65	-	GS2AH535
		Red/Yellow	IP 65	-	GS2AH540
1250	-	Grey/Black	IP 65	-	GS2AH550
		Red/Yellow	IP 65	-	GS2AH560
-	30 Compact	Grey/Black	-	1, 3R, 12	GS2AH570
		Red/Yellow	-	1, 3R, 12	GS2AH110
-	30...400	Grey/Black	-	1, 3R, 12	GS2AH120
		Red/Yellow	-	1, 3R, 12	GS2AH120
-	30...400	Grey/Black	-	1, 3R, 4, 4X, 12	GS2AH410
		Red/Yellow	-	1, 3R, 4, 4X, 12	GS2AH410
-	30...400	Grey/Black	-	1, 3R, 12	GS2AH420
		Red/Yellow	-	1, 3R, 12	GS2AH420
-	30...400	Grey/Black	-	1, 3R, 12	GS2AH130
		Red/Yellow	-	1, 3R, 12	GS2AH130
-	30...400	Grey/Black	-	1, 3R, 12	GS2AH140
		Red/Yellow	-	1, 3R, 12	GS2AH140
-	30...400	Grey/Black	-	1, 3R, 4, 4X, 12	GS2AH430
		Red/Yellow	-	1, 3R, 4, 4X, 12	GS2AH430
-	30...400	Grey/Black	-	1, 3R, 4, 4X, 12	GS2AH440
		Red/Yellow	-	1, 3R, 4, 4X, 12	GS2AH440
-	600 and 800	Grey/Black	-	1, 3R, 12	GS2AH410
		Red/Yellow	-	1, 3R, 12	GS2AH150
-	600 and 800	Grey/Black	-	1, 3R, 12	GS2AH160
		Red/Yellow	-	1, 3R, 12	GS2AH160

Handles for front-mounted external operators with test facility⁽³⁾, padlockable and lockable in "O" position⁽¹⁾. Door interlock in "I" position⁽²⁾

32...63	-	Grey/Black	IP 65	-	GS2AHT510
-	30...400	Grey/Black	-	1, 3R, 4, 4X, 12	GS2AHT430

Handles for external right-hand side-mounted operators, padlockable and lockable in "O" position⁽¹⁾

32...63	-	Grey/Black	IP 65	-	GS2AH210
		Red/Yellow	IP 65	-	GS2AH220
100...400	-	Grey/Black	IP 65	-	GS2AH230
		Red/Yellow	IP 65	-	GS2AH235
630...1250	-	Grey/Black	IP 65	-	GS2AH240
		Red/Yellow	IP 65	-	GS2AH240
630...1250	-	Grey/Black	IP 65	-	GS2AH250
		Red/Yellow	IP 65	-	GS2AH250

Handles for external left-hand side-mounted operators, padlockable and lockable in "O" position⁽¹⁾

32...63	-	Grey/Black	IP 65	-	GS2AH310
---------	---	------------	-------	---	----------

⁽¹⁾ Lockable with device GS2AX1, to be ordered separately.

⁽²⁾ Door interlock override by means of a tool.

⁽³⁾ The Test facility allows testing of the control circuits off-load, by using auxiliary contacts GS1AM110, GS1AM101 or GS1ANT●●. In the "Test" position, the enclosure door can be opened.

PB121455.eps



GS2AE5

PB121456.eps



GS2AE2 - GS2AE21

PB121457.tif



GS2AE8 - GS2AE81

Accessories for IEC and UL switch-disconnector fuses

Shafts for external operators

Switch rating A (IEC)	A (UL)	Shaft length mm	Shaft cross section mm	Reference
32	30 Compact	200	5 x 5	GS2AE82
		320	5 x 5	GS2AE8
		400	5 x 5	GS2AE81
50...400	30...400	200	10 x 10	GS2AE22
		320	10 x 10	GS2AE2
		400	10 x 10	GS2AE21
		500	10 x 10	GS2AE23
630...1250	600 and 800	320	12 x 12	GS2AE5
		400	12 x 12	GS2AE51
		500	10 x 10	GS2AE23
		500	12 x 12	GS2AE53

Terminal protection shrouds for upstream or downstream connector plates

Switch rating A (IEC)	A (UL)	Number of poles	Reference
50 and 63	30 Compact, 30...60 (3P)	3 or 4	(1)
100...160	100	3	GS1AP33
		4	GS1AP34
200...400	200	3	GS2AP43
		3	GS1AP43
		4	GS1AP44
		4	GS2AP53
630...800	600 and 800	3	GS2AP73
		4	GS2AP64
1250	–	3	GS2AP83

Cage terminals for connection of bare cables (without lug)

Switch rating A	Number of poles	Reference
100...160	3	GS1AW33
200...250	3	GS1AW33

External handle locking device

Switch rating A	Description	Reference
32...1250	Device for RONIS EL11AP keylock (lock to be ordered separately).	GS2AX1

Flat mounting kit

Switch rating A	Description	Reference
50...400	The kit, for use with a front-mounted external handle, includes: <ul style="list-style-type: none"> ■ a 200 mm shaft, cross section 10 x 10 mm, ■ an adapter plate 	GS2ADL2

NFPA 79 Internal handle kit for 5 mm shaft

Switch rating A	Description	Reference
30 Compact	Internal padlockable handle for control panel maintenance	GS1AD010

- (1) For these ratings, the switch-disconnector fuses are fitted with terminal covers as standard.
 (2) For NF C and DIN switch-disconnector fuses fitted with right-hand mounted direct operator.
 (3) For this rating, switch-disconnector fuses are fitted with a cover locking device as standard.

Switch-disconnector fuses

TeSys Power

Switch-disconnector fuses

Product references

Switch-
disconnector
fuses

GS1AD010	GS1DD3	GS2AH440	GS2KG4
GS1AD10	GS1DD4	GS2AH510	GS2KK3
GS1AE6	GS1DDB3	GS2AH515	GS2KK4
GS1AE7	GS1DDB4	GS2AH520	GS2KKG3
GS1AF	GS1DDU3	GS2AH530	GS2KKG4
GS1AF1	GS1DU3	GS2AH535	GS2LK3
GS1AF23	GS2AD030N	GS2AH540	GS2L4
GS1AF33	GS2AD040N	GS2AH550	GS2LB3
GS1AF43	GS2AD20	GS2AH560	GS2LB4
GS1AH01	GS2ADL2	GS2AH570	GS2LG3
GS1AH02	GS2AE2	GS2AH60F	GS2LG4
GS1AH102	GS2AE21	GS2AHT410	GS2LL3
GS1AH103	GS2AE22	GS2AHT420	GS2LL4
GS1AH110	GS2AE23	GS2AHT430	GS2LLB3
GS1AH130	GS2AE5	GS2AHT510	GS2LLB4
GS1AH160	GS2AE51	GS2AHT520	GS2LLG3
GS1AH220	GS2AE52	GS2AHT530	GS2LLG4
GS1AH440	GS2AE61	GS2AHT540	GS2MMB3
GS1AM1	GS2AE8	GS2AP43	GS2MMB4
GS1AM101	GS2AE81	GS2AP53	GS2MU3N
GS1AM110	GS2AE82	GS2AP64	GS2N3
GS1AM111	GS2AEH12	GS2AP73	GS2N4
GS1AM2	GS2AESB	GS2AP83	GS2NB3
GS1AM211	GS2AF63	GS2AP84	GS2NB4
GS1AN11	GS2AF64	GS2AX1	GS2NG3
GS1AN11G	GS2AF73	GS2DB3	GS2NG4
GS1AN22	GS2AF74	GS2DB4	GS2PPB3
GS1AN22G	GS2AH105B	GS2EEU3	GS2PPB4
GS1ANT11	GS2AH110	GS2EU3N	GS2QQ3
GS1ANT22	GS2AH120	GS2F3	GS2QQ4
GS1AP33	GS2AH130	GS2F4	GS2QQB3
GS1AP34	GS2AH140	GS2FG3	GS2QQB4
GS1AP43	GS2AH150	GS2FG4	GS2QQG3
GS1AP44	GS2AH160	GS2G3	GS2QQG4
GS1AV1	GS2AH170	GS2G4	GS2QU3N
GS1AV2	GS2AH210	GS2GB3	GS2S3
GS1AV33	GS2AH215	GS2GB4	GS2S4
GS1AV54	GS2AH220	GS2GG3	GS2SB3
GS1AV73	GS2AH230	GS2GG4	GS2SB4
GS1AW303	GS2AH235	GS2GU3N	GS2SG3
GS1AW306	GS2AH240	GS2J3	GS2SG4
GS1AW33	GS2AH250	GS2J4	GS2SU3
GS1AW34	GS2AH310	GS2JB3	GS2TB3
GS1AW403	GS2AH330	GS2JB4	GS2TB4
GS1AW406	GS2AH340	GS2JG3	GS2TU3
GS1AW43	GS2AH350	GS2JG4	GS2V3
GS1AW44	GS2AH36F	GS2JU3N	GS2V4
GS1AW503	GS2AH410	GS2K3	GS2VG3
GS1AW606	GS2AH420	GS2K4	LV481701
GS1AW903	GS2AH430	GS2KG3	LV481702

This document is current.  Click on the product reference to get the most recent availability status (hyperlink to [se.com](https://www.se.com) product datasheet).
If your product variant is no longer available, please consult your distributor or regional sales office.

Technical Data for Designers

Contents

Characteristics:

- > switch-disconnector fuses.... B5/16 to B5/21
- > auxiliary contacts B5/22

Dimensions B5/23 to B5/30

Schemes B5/30

TeSys Power

Switch-disconnector fuses

Characteristics



References:
p. B5/4 to B5/5

Dimensions:
p. B5/23 to B5/26

Schemes:
p. B5/30

IEC - For NFC / DIN fuses - From 32 to 1250 A

Switch-disconnector-fuse characteristics

Type		GS1DD	GS2F	GS2G	GS2J	
Environment						
Conforming to standards	Switch-disconnector fuses		IEC 60947-3			
	Fuses		IEC 60269-1 and 2			
Product certifications			ASEFA/LOVAG, LROS, UKCA			
Degree of protection conforming to IEC 60529	On front panel with terminal covers		IP 20			
Ambient air temperature around the device	Storage	°C	-40...+80			
	Operation	°C	-20...+70			
Flame resistance conforming to IEC 60695-2-1	Body	°C	960	960		
	Fuse cover	°C	–	850		
Operating position			Please refer to page B5/20.			
Pole characteristics						
Conventional thermal current (I _{th}) for ambient temperature ≤ 40 °C		A	32	50	63	100
Fuse size			10 x 38	14 x 51	T00C	22 x 58
Power dissipated per 1 pole		W	1.20	2.45	4.35	6.80
Maximum fuse dissipation allowed per 1 pole		W	2.90	4.60	6.00	9.00
Rated insulation voltage (U _i)		V	800	750	750	750
Rated impulse withstand voltage (U _{imp})		kV	8	8	8	8
Rated operational current (I _e)	Cat. AC-23A/B ⁽¹⁾ ~ 400 V	A	32	50	63	100
	~ 500 V	A	32	50	63	100
	~ 690 V	A	32	50	63	100 ⁽³⁾
	Cat. DC-23A/B ⁽¹⁾ ≍ 440 V ⁽²⁾	A	20	40	40	100
Rated operational power	Cat. AC-23A/B ⁽¹⁾ ~ 400 V	kW	15	25	30	51
	~ 500 V	kW	18.5	33	40	63
	~ 690 V	kW	25	45	55	90
Rated conditional short-circuit current (I _q)	I rms at ~ 400 V with protection by gG (gl) fuses	kA	100	100	100	100
	I rms at ~ 690 V with protection by gG (gl) fuses	kA	100	100	100	100
	Rating of associated fuses	A	32	50	63	100
Peak value of permissible current (dynamic short-circuit withstand)	Conforming to ~ 400 V IEC 60269-1	kA	5.5	7.6	10.6	20
Rated making capacity	I rms at 400 V Cat. AC-23B	A	320	500	630	1000
Rated breaking capacity	I rms at 400 V Cat. AC-23B	A	256	400	500	800
Mechanical durability	Number of operating cycles		20000	10000	10000	10000
Electrical durability	Number of operating cycles cat. AC/DC-23A/B ⁽¹⁾		1500/300	1500/300	1500/300	1500/300
Cabling	Cable (c.s.a. min/max)	mm²	2.5/16	6/25	10/25	25/95
	Bars (max width)	mm	–	–	–	20
Tightening torque		N.m	3	3.2	3.2	12

⁽¹⁾ Category "A": frequent operating cycles, category "B": infrequent operating cycles.

⁽²⁾ 2 poles in series per phase.



References:
p. B5/4 to B5/5

Dimensions:
p. B5/23 to B5/26

Schemes:
p. B5/30

GS2K	GS2KK	GS2LL	GS2L	GS2N	GS2QQ	GS2S	GS2V
IEC 60947-3							
IEC 60269-1 and 2							
ASEFA/LOVAG, LROS, UKCA							
IP 20							
-40...+80							
-20...+70							
960							
850							
Please refer to page B5/20.							
125	125	160	160	250	400	630	1250
22 x 58	T00	T00	T0	T1	T2	T3	T4
8.63	6.00	10.40	10.40	19.00	24.40	61.00	154.00
11.00	12.00	12.00	15.00	23.00	33.00	60.00	110.00
750	750	750	750	750	800	1000	1000
8	8	8	8	8	8	12	12
125	125	160	160	250	400	630	1000
125	125	160	160	250	315	500	800
100 ⁽³⁾	100 ⁽³⁾	125 ⁽³⁾	125 ⁽³⁾	250 ⁽³⁾	250/315	315/400	630
100	100	125	125	200	200/315 ⁽⁴⁾	400/630 ⁽⁴⁾	1000
63	63	80	80	132	220	355	560
90	90	110	110	160	220	355	560
80	80	110	110	220	220/295	295/400	400/475
100	100	100 (50)	100	100	50	100	100
100	50	50	–	50	50	100	–
125	125	125 (160)	160	250	400	630	1250
20	20	22.7	20	32.5	40	70	90
1250	1250	1600	1600	2500	4000	6300	10 000
1000	1000	1280	1280	2000	3200	5040	8000
10000	10000	10000	10000	10000	10000	8000	5000
1000/200	1000/200	1000/200	1000/200	1000/200	1000/200	1000/200	500/100
35/95	35/95	50/95	50/95	95/240	185/240	2 x 150 / 2 x 300	- / 4 x 185
20	20	20	20	32	45	63	80
12	12	12	12	25	25	44	44

Switch-disconnector fuses

⁽³⁾ With terminal covers.
⁽⁴⁾ Poles not juxtaposed.

TeSys Power

Switch-disconnector fuses

Characteristics



References:
p. B5/6 to B5/7

Dimensions:
p. B5/23 to B5/26

Schemes:
p. B5/30

IEC - For BS fuses - From 32 to 1250 A

Switch-disconnector-fuse characteristics

Type		GS1DDB	GS2DB	GS2GB	GS2JB	
Environment						
Conforming to standards	Switch-disconnector fuses	IEC 60947-3				
	Fuses	IEC 60269-1 and 2				
Product certifications		ASEFA/LOVAG, LROS, UKCA				
Degree of protection conforming to IEC 60529	On Front panel, with terminal covers	IP 20				
Ambient air temperature around the device	Storage	°C	-40...+80			
	Operation	°C	-20...+70			
Flame resistance conforming to IEC 60695-2-1	Body	°C	960			
	Fuse cover	°C	-		850	
Operating position		Please refer to page B5/20.				
Pole characteristics						
Conventional thermal current (I _{th}) for ambient temperature ≤ 40 °C		A	32	32	63	100
Fuse size			A1	A1	A2-A3	A4 Ø ≤ 31 mm
Power dissipated per 1 pole		W	1.20	1.20	4.35	3.70
Maximum fuse dissipation allowed per 1 pole		W	3.10	3.10	3.80	8.60
Rated insulation voltage (U _i)		V	800	750	750	750
Rated impulse withstand voltage (U _{imp})		kV	8	8	8	8
Rated operational current (I _e)	Cat. AC-23A/B ⁽¹⁾ ~ 400 V	A	32	32	63	100
	~ 500 V	A	32	32	63	100
	~ 690 V	A	32	32	63	100 ⁽⁴⁾
	Cat. DC-23A/B ⁽¹⁾ --- 440 V ⁽²⁾	A	20	20	40	100
Rated operational power	Cat. AC-23A/B ⁽¹⁾ ~ 400 V	kW	15	15	30	51
	~ 500 V	kW	18.5	18.5	40	63
	~ 690 V	kW	25	25	55	90
Rated conditional short-circuit current (I _q)	I rms at ~ 400 V with protection by gG (gl) fuses	kA	80	80	80	80
	I rms at ~ 690 V with protection by gG (gl) fuses	kA	80	80	50	50
	Rating of associated fuses	A	32	32	63	100
Peak value of permissible current (dynamic short-circuit withstand)	Conforming to ~ 400 V IEC 60269-1	kA	5.5	9	10.6	20
Rated making capacity	I rms at 400 V Cat. AC-23B	A	320	320	630	1000
Rated breaking capacity	I rms at 400 V Cat. AC-23B	A	256	256	500	800
Mechanical durability	Number of operating cycles		20000	10000	10000	10000
Electrical durability	Number of operating cycles cat. AC/DC-23A/B ⁽¹⁾		1500/300	1500/300	1500/300	1500/300
Cabling	Cable (c.s.a. min/max)	mm²	2.5/16	6/25	10/25	25/95
	Bars (max width)	mm	-	-	-	20
Tightening torque		N.m	3	3.2	3.2	12

(1) Category "A": frequent operating cycles, category "B": infrequent operating cycles.

(2) 2 poles in series per phase.



References:
p. B5/6 to B5/7

Dimensions:
p. B5/23 to B5/26

Schemes:
p. B5/30

	GS2LB or LLB ⁽³⁾	GS2MMB	GS2NB	GS2PPB	GS2QQB	GS2SB	GS2TB
	IEC 60947-3						
	IEC 60269-1 and 2						
	ASEFA/LOVAG, LROS, UKCA						
	IP 20						
	-40...+80						
	-20...+70						
	960						
	850						
	Please refer to page B5/20.						
	160	200	250	315	400	630	800
	B1-B2 or A4 ⁽³⁾	B1-B2	B1...B3	B1...B3	B1...B4	C1-C2	C1...C3
	11.20 or 9.70	8.80	13.80	17.00	24.40	61.00	68.00
	13.40 or 15.30	14.30	19.70	29.60	29.60	55.00	70.00
	750	750	750	800	800	1000	1000
	8	8	8	8	8	12	12
	160	200	250	315	400	630	800
	160	200	250	315	315	500	630
	125 ⁽⁴⁾	200/160 ⁽⁴⁾	250 ⁽⁴⁾	250/315 ⁽⁴⁾	250/315	315/400	630
	125	200	200	200	200/315 ⁽⁵⁾	400/630 ⁽⁵⁾	800
	80	100	132	150	220	355	450
	110	140	160	220	220	355	450
	110	150/185	220	220/295	220/295	295/400	400
	80	80	80	80	50	80	80
	50	50	50	50	50	80	80
	160	200	250	315	400	630	800
	22.7	32.5	32.5	40	40	70	80
	1600	2000	2500	3150	4000	6300	8000
	1280	1600	2000	2520	3200	5040	6400
	10000	10000	10000	10000	10000	8000	8000
	1000/200	1000/200	1000/200	1000/200	1000/200	1000/200	500/100
	50/95	95/240	95/240	185/240	185/240	2 x 150 / 2 x 300	2 x 185 / 2 x 300
	20	32	32	45	45	63	63
	12	25	25	25	25	44	44

⁽³⁾ Fit switch-disconnector fuses **GS2LB** with B1 or B2 fuses and **GS2LLB** with A4 fuses.

⁽⁴⁾ With terminal covers.

⁽⁵⁾ Poles not juxtaposed.

Switch-disconnector fuses

TeSys Power

Switch-disconnector fuses

Characteristics



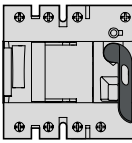
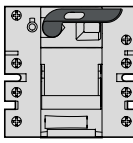
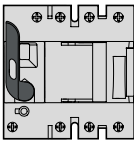
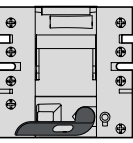
References:
p. B5/8 to B5/9

Dimensions:
p. B5/27 to B5/29

Schemes:
p. B5/30

UL, CSA, IEC - For CC and J fuses - From 32 to 800 A

Switch-disconnector-fuse characteristics

Type		GS1DDU3	GS1DU3	GS2EEU3	GS2EU3N		
Environment							
Conforming to standards	Switch-disconnector fuses	UL 489, CSA 22.2 n°5, IEC 60947-3		UL 98, UL 248, CSA 22.2 n°4, IEC 60947-3			
	Fuses	UL 248					
Degree of protection conforming to IEC 60529	With terminal covers	IP 20					
Ambient air temperature around the device	Storage	°C -40...+80					
	Operation	°C -20...+70					
Flame resistance conforming to IEC 60695-2-1	Body	960	960	960			
	Fuse cover	-	-	850			
Operating position							
Applicable to all GS1 and GS2 switch-disconnector fuses with: - Direct handle - External front-mounted or side-mounted operator							
		Recommended position	Possible with derating ⁽¹⁾	Possible without derating	Possible with derating ⁽¹⁾		
		⁽¹⁾ In case of a rotation of 90° or 270° versus the vertical recommended position, a derating coefficient of 0.8 should be applied to the Rated operational current I _e .					
Pole characteristics							
Conventional thermal current (I _{th}) for ambient temperature ≤ 40 °C		A	30	30	30	30	
Fuse size			CC	J	CC	J	
Rated insulation voltage (U _i)		V	800	800	750	750	
Rated impulse withstand voltage (U _{imp})		kV	8	8	8	8	
Rated operational current (I _e)	Cat. AC-23A/B ⁽²⁾ ~ 400 V	A	32	32	32	32	
	~ 500 V	A	32	32	32	32	
	~ 690 V	A	32	32	32	32	
Rated operational power	Cat. AC-23A/B ⁽²⁾ ~ 400 V	kW	15	15	15	15	
	~ 500 V	kW	18.5	18.5	18.5	18.5	
	~ 690 V	kW	25	25	25	25	
Prospective short-circuit current withstand	Conforming to UL 98 / UL 489	~ 600 V	kA	100	100	200	200
Peak value of permissible current (dynamic short-circuit withstand)	Conforming to IEC 60269-1	~ 400 V	kA	5.5	5.5	7.6	17.6
Rated making capacity	I _{rms} at 400 V Cat. AC-23B	A	300	300	300	300	
Rated breaking capacity	I _{rms} at 400 V Cat. AC-23B	A	240	240	240	240	
Mechanical durability	Number of operating cycles		10000	10000	10000	10000	
Electrical durability	Number of operating cycles Cat. AC/DC-23A/B ⁽²⁾		1500/300	1500/300	1500/300	1500/300	
Cabling	Cable (c.s.a. min/max)	mm²	2.5/6	2.5/6	2.5/6	2.5/16	
		AWG	#14/#10	#14/#10	#14/#10	#14/#6	
	Bars (max width)	mm	-	-	-	-	
Tightening torque		N.m	3 (for wire)	4 (for wire)	5.5 (for wire)	3.5 (for wire)	
		lb-in	27	27	48	31	

⁽²⁾ Category "A": frequent operating cycles, category "B": infrequent operating cycles.

Switch-disconnector fuses



References:
p. B5/8 to B5/9

Dimensions:
p. B5/27 to B5/29

Schemes:
p. B5/30

	GS2GU3N	GS2JU3N	GS2MU3N	GS2QU3N	GS2SU3	GS2TU3
	UL 98, CSA 22.2 n°4, IEC 60947-3					
	UL 248					
	IP 20					
	-40...+80					
	-20...+70					
	960					
	850					
	Recommended position Possible with derating ⁽¹⁾ Possible without derating Possible with derating ⁽¹⁾					
	⁽¹⁾ In case of a rotation of 90° or 270° versus the vertical recommended position, a derating coefficient of 0.8 should be applied to the Rated operational current I _e .					
	60	100	200	400	600	800
	J	J	J	J	J	L
	750	750	750	800	1000	1000
	8	8	8	8	12	12
	63	100	200	400	630	800
	63	100	200	315	630	630
	63	100	200	250	630	630
	30	51	100	220	355	450
	40	63	140	220	450	560
	55	90	185	220	600	600
	100	200	200	200	200	200
	17.6	22	32	36	80	80
	600	1000	2000	4000	6000	8000
	480	800	1600	3200	4800	6400
	10000	10000	8000	6000	5000	5000
	1500/300	1500/300	1000/200	1000/200	1000/200	500/100
	2.5/16	4/50	16/150	25/300	2 x 150	-
	#14/#6	#12/#1	#6/300 Kcmil	#4/600 Kcmil	#2/600 Kcmil	-
	-	20	32	45	100	100
	3.5 (for wire)	4 (for wire)	18 (for lug)	35 (for lug)	35 (for lug)	35 (for lug)
	31	35.4	160	310	310	310

Switch-disconnector fuses

TeSys Power

Switch-disconnector fuses

Characteristics



References:
p. B5/11

Dimensions:
p. B5/30

Schemes:
p. B5/30

Auxiliary contacts

GS1AM11, GS1AM1 and GS1AM2 early break and signalling contact characteristics

Conventional thermal current (I _{th}) for ambient temperature ≤ 40 °C		A	16
Rated operational current (I _e)	Cat. AC-15	A	127 V: 5 - 230 V: 4 - 400 /415 V: 3 - 440 V: 2
	Cat. DC-13	A	24 V: 12 - 48 V: 2 - 110 V: 0.6 - 220 V: 0.4
Durability	Number of operating cycles		Mechanical: 1000000 Electrical: cat. AC-15: 30000
Fuse protection	gG	A	6 max
Cabling		mm	Faston connectors: 1 x 6.35 or 2 x 2.8

GS1AN and GS1ANT signalling contact characteristics

Conventional thermal current (I _{th}) for ambient temperature ≤ 40 °C		A	20
Rated operational current (I _e)	Cat. AC-15	A	127 V: 12 - 230 V: 10 - 400/415 V: 8 - 440 V: 6
	Cat. DC-13	A	48 V: 4 - 110 V: 1.2 - 220 V: 1
Durability	Number of operating cycles		Mechanical: 30000 Electrical: cat. AC-15: 30000
Fuse protection	gG	A	16 max
Cabling	Cable (c.s.a. min/max)	mm²	Min: 1.5 - max: 10

GS1AM110 and GS1AM101 early break and signalling contact characteristics

Conventional thermal current (I _{th}) for ambient temperature ≤ 40 °C		A	10
Rated operational current (I _e)	Cat. AC-15	A	120 V: 6 - 240 V: 3 - 400 V: 1.8 - 480 V: 1.5
	Cat. DC-13	A	24 V: 2.8 - 48 V: 1.4 - 125 V: 0.55 - 250 V: 0.27 - 400 V: 0.15
Durability	Number of operating cycles		Mechanical: 5000000 Electrical: cat. AC-15: 1000000
Cabling	Cable (c.s.a. min/max)	mm²	Min: 1 x 0.22 - max: 2 x 2.5

GS1AF "blown fuse" signalling contact characteristics

Conventional thermal current (I _{th}) for ambient temperature ≤ 40 °C		A	16
Rated operational current (I _e)	Cat. AC-15	A	230 V: 4 - 400 V: 3
	Cat. DC-13	A	24 V: 12 - 48 V: 2 - 110 V: 0.6 - 220 V: 0.4
Durability	Number of operating cycles		Mechanical: 30000 Electrical: cat. AC-15: 30000
Cabling		mm	Faston connectors: 1 x 6.35

TeSys Power

Switch-disconnector fuses

Dimensions



References:
p. B5/4 to B5/5

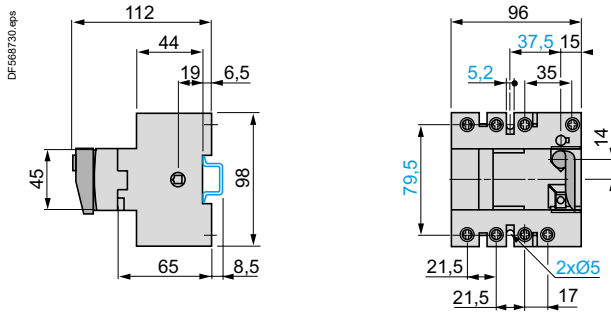
Characteristics:
p. B5/16 to B5/17

Schemes:
p. B5/30

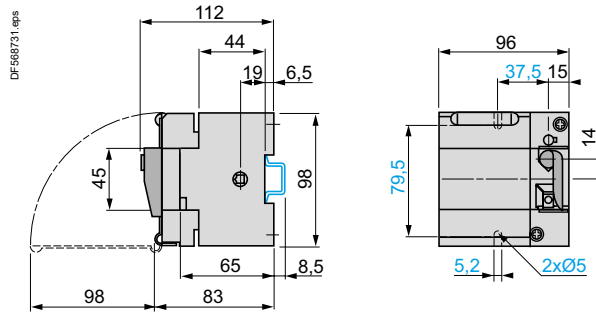
IEC - GS1●● (32 A) Switch-disconnector-fuse

Direct front-mounted operator

GS1DD

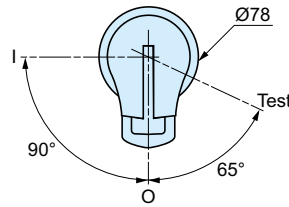
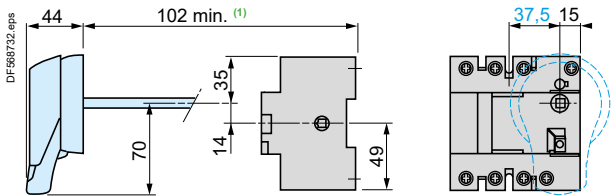


GS1DDB

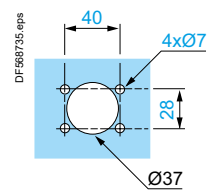


External front-mounted operator

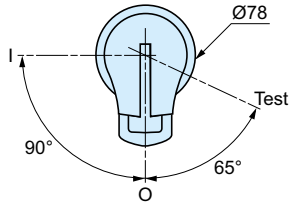
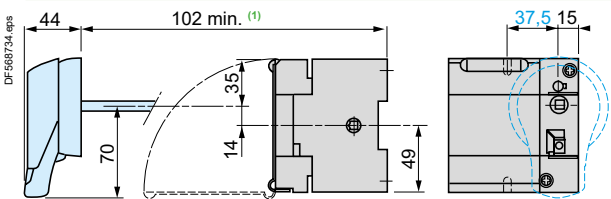
GS1DD



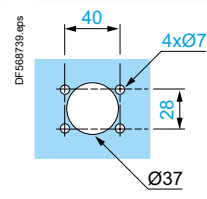
Door cut-out



GS1DDB



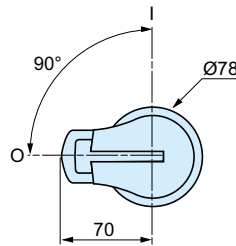
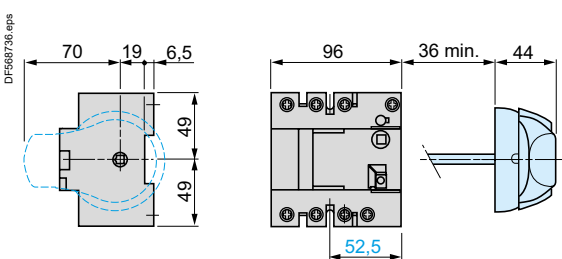
Door cut-out



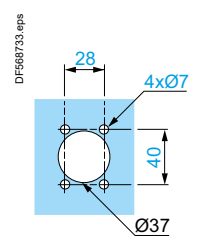
- (1) With 1 or 2 auxiliary contacts GS1AM1●●: 130 mm.
- (2) With 3 or 4 auxiliary contacts GS1AM1●●: 155 mm.

External right-hand side-mounted operator

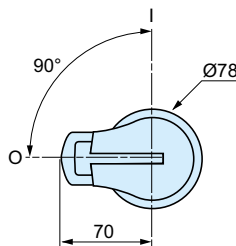
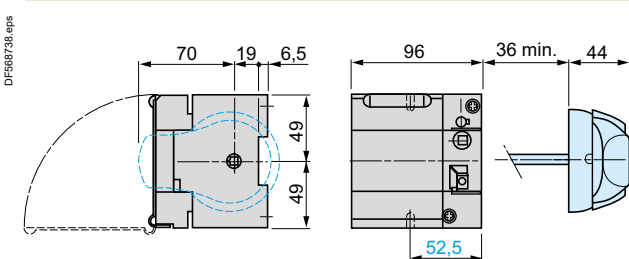
GS1DD



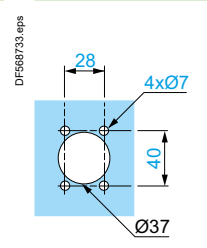
Door cut-out



GS1DDB



Door cut-out



Switch-disconnector fuses



References:
p. B5/6 to B5/7

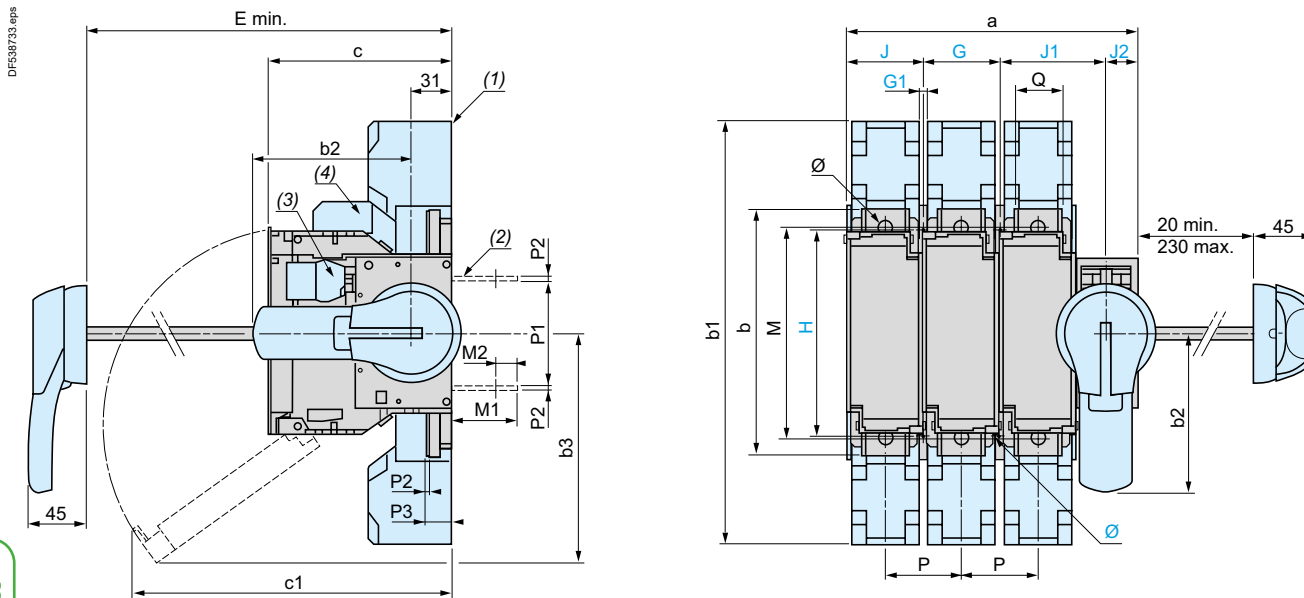
Characteristics:
p. B5/18 to B5/19

Schemes:
p. B5/30

IEC - GS2●● (32...400 A) Switch-disconnector-fuse

External front and right-hand side-mounted operator

GS2DB (32 A), F (50 A), G, GB, JB (63 A), J (100 A), K, KK (125 A), L, LL, LB, LLB (160 A), MMB (200 A), N, NB (250 A), PPB (315 A), QQ and QQB (400 A)



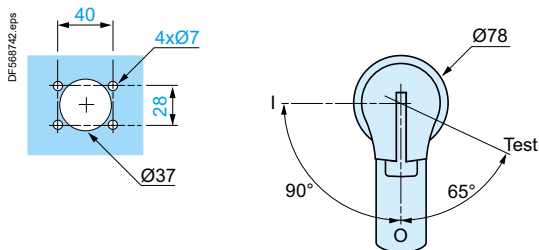
Switch-disconnector fuses

GS2	a	b	b1	b2	b3	c	c1	E min.	G	G1	H	J	J1	J2	Ø	M	M1	M2	P	P1	P2	P3	Q	Ø	
F, DB	3P	121	118	-	70	85	87 ⁽⁵⁾	153	100 ⁽⁵⁾	27	5.4	106	31	45	18	5	-	15	6	27	59	2	-	12	-
	4P	148	118	-	70	85	87 ⁽⁵⁾	153	100 ⁽⁵⁾	27	5.4	106	31	45	18	5	-	15	6	27	59	2	-	12	-
G, GB	3P	136	118	-	70	159	116.5 ⁽⁶⁾	145	125	32	5.4	106	36	50	18	5	-	15	6	32	59	2	-	12	-
	4P	168	118	-	70	159	116.5 ⁽⁶⁾	145	125	32	5.4	106	36	50	18	5	-	15	6	32	59	2	-	12	-
J, JB, K	3P	148	162	268	125	141	116 ⁽⁶⁾	187	135	36	5.4	127	40	54	18	5	141	41	8	36	62	2.5	19.5	20	8.5
	4P	184	162	268	125	141	116 ⁽⁶⁾	187	135	36	5.4	127	40	54	18	5	141	41	8	36	62	2.5	19.5	20	8.5
KK, LL	3P	148	162	268	125	141	126.5 ⁽⁶⁾	193	135	36	5.4	127	40	54	18	5	141	41	8	36	62	2.5	19.5	20	8.5
	4P	184	162	268	125	141	126.5 ⁽⁶⁾	193	135	36	5.4	127	40	54	18	5	141	41	8	36	62	2.5	19.5	20	8.5
L, LB, LLB	3P	190	162	268	125	174	136.5	229	145	50	5.4	140	54	64	18	5	141	41	8	50	62	2.5	19.5	20	8.5
	4P	240	162	268	125	174	136.5	229	145	50	5.4	140	54	64	18	5	141	41	8	50	62	2.5	19.5	20	8.5
MMB, NB, N	3P	234	195	345	125	185	146	251	154	60	6.4	162	64	86	25	6	166	52	17	60	84	2.5	19.5	32	11
	4P	294	195	345	125	185	146	251	154	60	6.4	162	64	86	25	6	166	52	17	60	84	2.5	19.5	32	11
PPB, QQB, QQ	3P	252	205	355	125	200	149	260	157	66	6.4	172	70	91	25	6	175	54	14.5	66	84	3	20	50	11
	4P	318	205	355	125	200	149	260	157	66	6.4	172	70	91	25	6	175	54	14.5	66	84	3	20	50	11

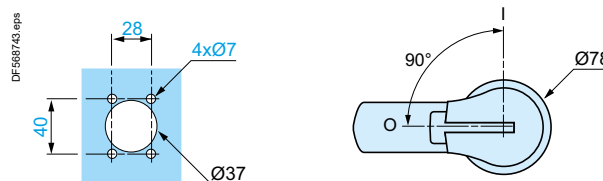
- (1) Terminal cover.
- (2) Rear access connector plates (option).
- (3) 1 to 8 auxiliary contacts GS1AM1●●.
- (4) 1 or 2 auxiliary contacts GS1AF●●.
- (5) 1 auxiliary contact GS1AM1●●: + 23.5 mm, 2 auxiliary contacts GS1AM1●●: + 47 mm.
- (6) 132 mm with 2 auxiliary contacts GS1AM1●●.

Door cut-out

For external front-mounted operator



For external right-hand side-mounted operator



TeSys Power

Switch-disconnector fuses

Dimensions



References:
p. B5/5

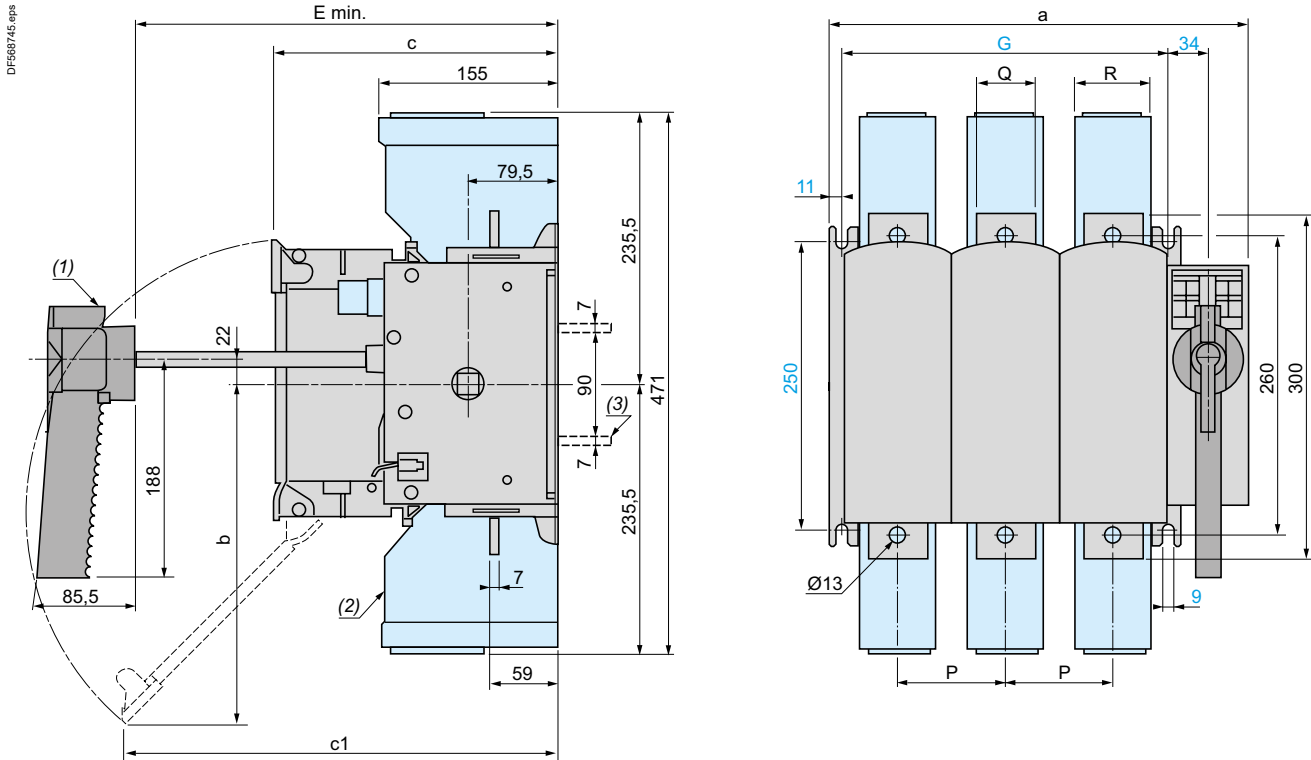
Characteristics:
p. B5/17 to B5/19

Schemes:
p. B5/30

IEC - GS2●● (630...1250 A) Switch-disconnector-fuse

Direct front-mounted operator

GS2S, SB (630 A), TB (800 A), V and VB (1250 A)

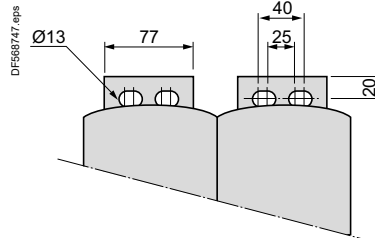
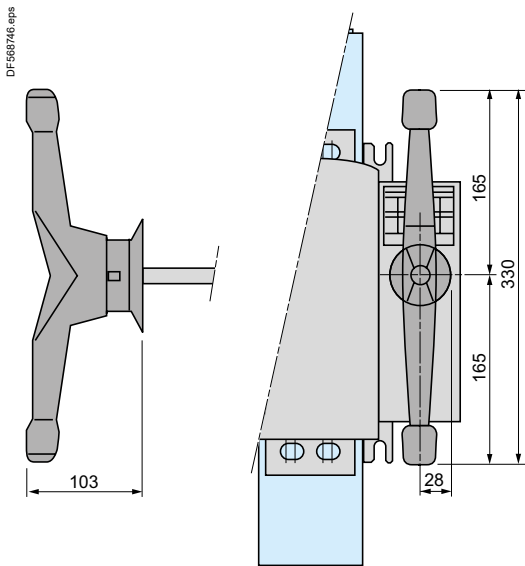


GS2		a	b	c	c1	E min.	G	P	Q	R
S, SB, TB	3P	364	300	250	380	265	284	94	51	65
	4P	458	300	250	380	265	378	94	51	65
V, VB	3P	442	355	289	295	304	362	120	77	88
	4P	562	355	289	295	304	482	120	77	88

- (1) Handle GS2AH104 for GS2S, GS2SB and GS2TB.
- (2) Terminal cover.
- (3) Rear access connector plates (GS2V and GS2VB).

Handle GS2AH105 for GS2V and GS2VB
(direct front-mounted operator)

Connector plates for GS2V and GS2VB



Switch-disconnector fuses



References:
p. B5/5

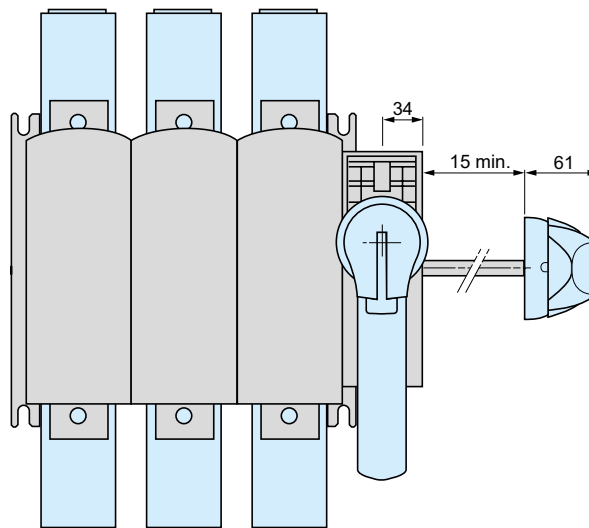
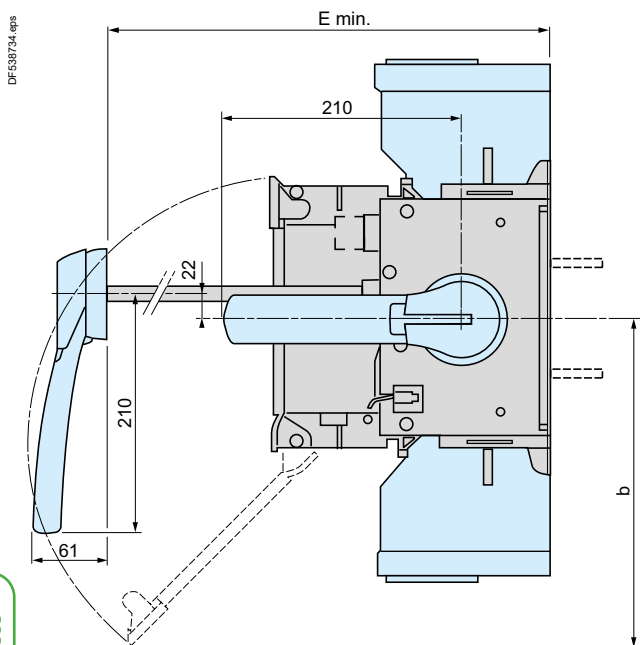
Characteristics:
p. B5/17 to B5/19

Schemes:
p. B5/30

IEC - GS2●● (630...1250 A) Switch-disconnector-fuse

External front and right-hand side-mounted operator

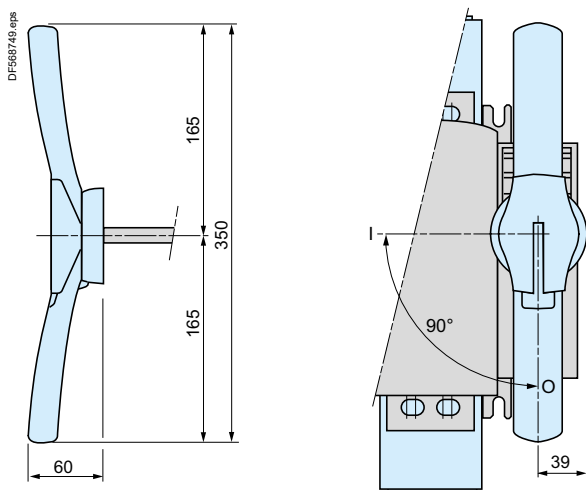
GS2S, SB (630 A), TB (800 A), V and VB (1250 A)



Switch-disconnector fuses

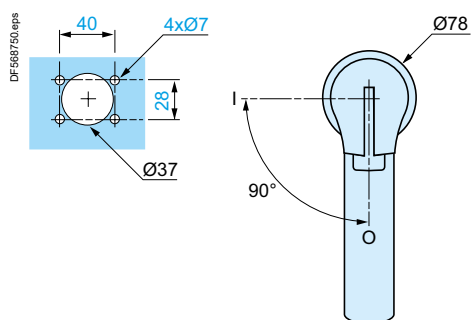
Handle GS2AH570 or GS2AH580 for GS2V and GS2VB (external front-mounted operator)

GS2		b	E min.
S, SB, TB	3P	297	265
	4P	297	265
V, VB	3P	350	304
	4P	350	304

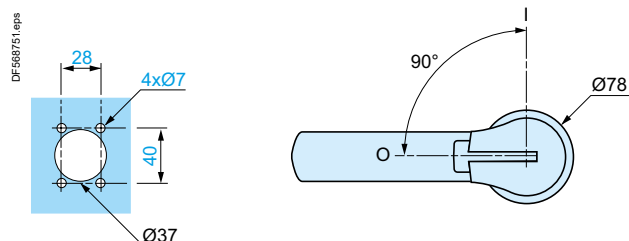


Door cut-out

For external front-mounted operator



For external right-hand side-mounted operator



TeSys Power

Switch-disconnector fuses

Dimensions



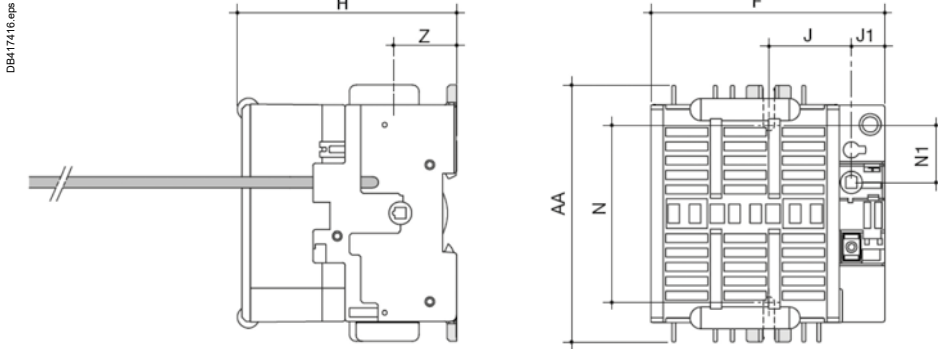
References:
p. B5/8 to B5/9

Characteristics:
p. B5/20 to B5/21

Schemes:
p. B5/30

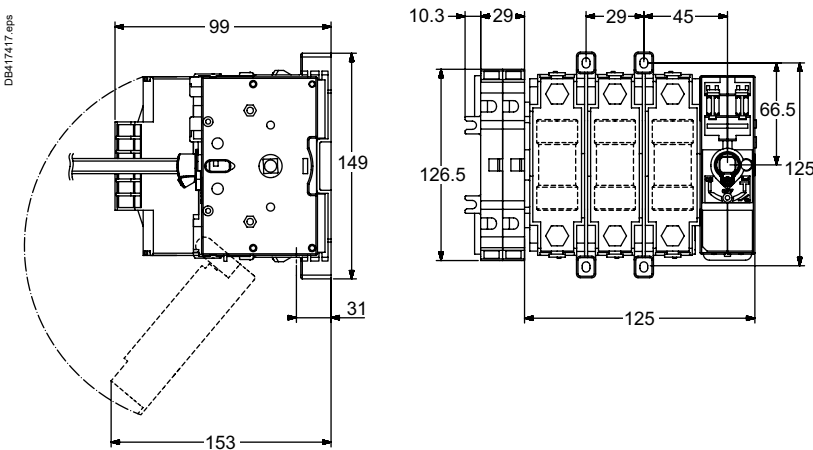
UL, CSA, IEC - GS1●● GS2●● Switch-disconnector fuses (30 and 60 A)

GS1DU3 (30 A) class CC fuses, GS1DDU3 (30 A) class J fuses

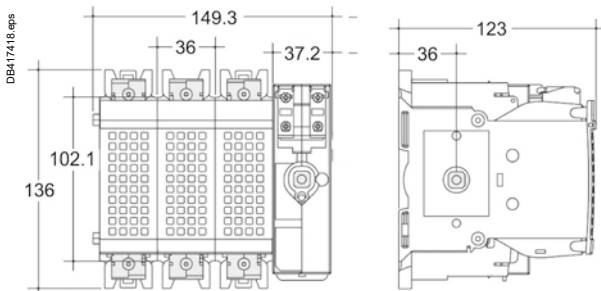


Rating	F	H	J	J1	N	N1	AA	Z
30 / CC	96	83.5	37.5	15	79.5	25.5	116	28.5
30 / J	105	99	37.5	15	79.5	25.5	116	28.5

GS2EU3 (30 A) class CC fuses



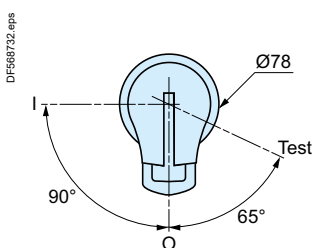
GS2EU3N, GS2GU3N (60 A) class J fuses



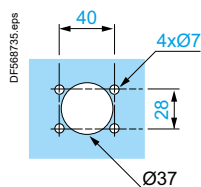
Accessories

Handle for 30 and 60 A switch-disconnector fuses

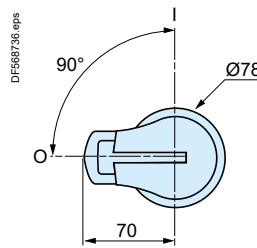
External front handle



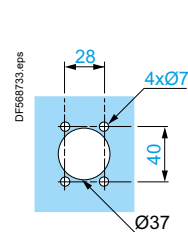
Door cut-out



External side handle



Door cut-out



Switch-disconnector fuses

TeSys Power

Switch-disconnector fuses

Dimensions



References:
p. B5/8 to B5/9

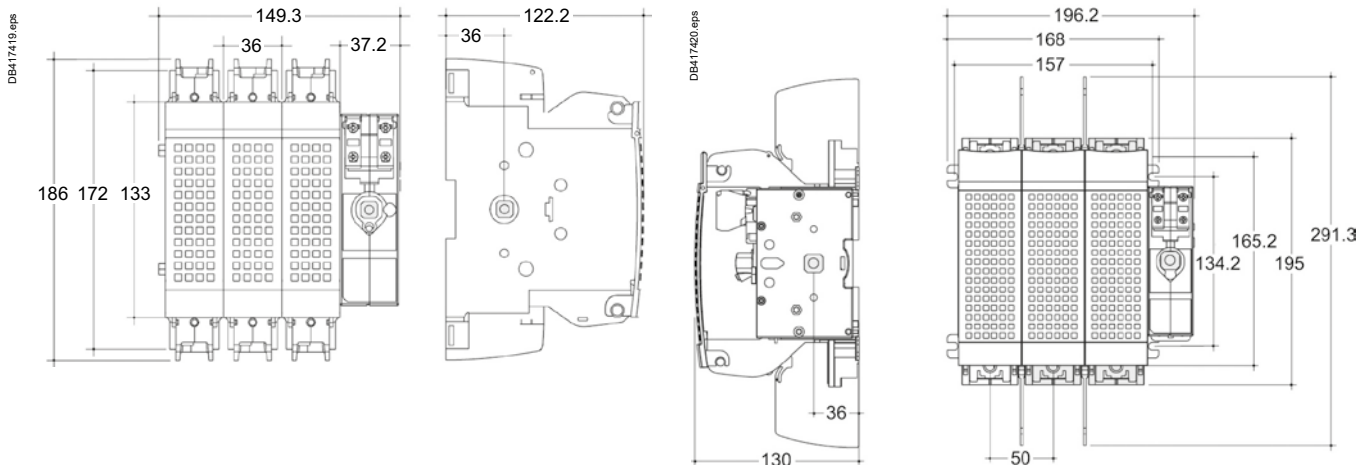
Characteristics:
p. B5/20 to B5/21

Schemes:
p. B5/30

UL, CSA, IEC - GS2●● Switch-disconnector fuses (100 and 400 A)

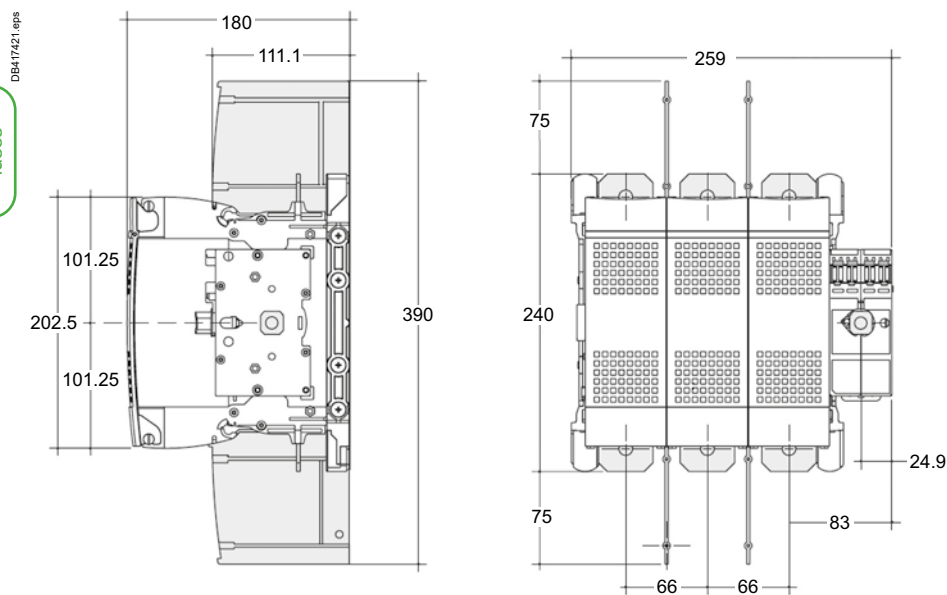
GS2JU3N (100 A) class J fuses

GS2MU3N (200 A) class J fuses



GS2QU3N (400 A) class CC fuses

Switch-disconnector fuses

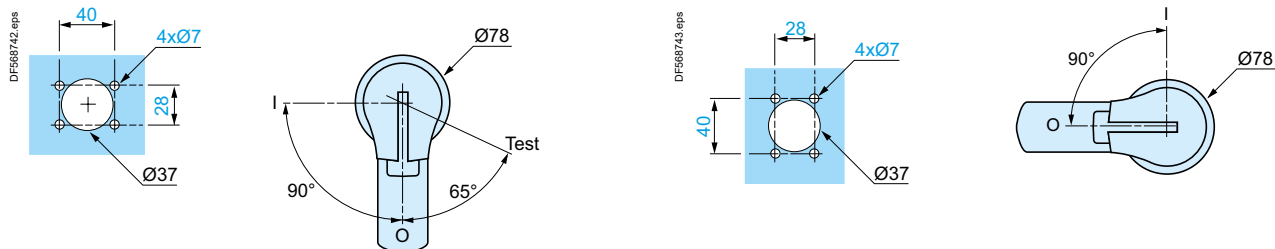


Accessories

Handle for 100, 200 and 400 A switch-disconnector fuses

For external front-mounted operator

For external right-hand side-mounted operator



TeSys Power

Switch-disconnector fuses

Dimensions



References:
p. B5/9

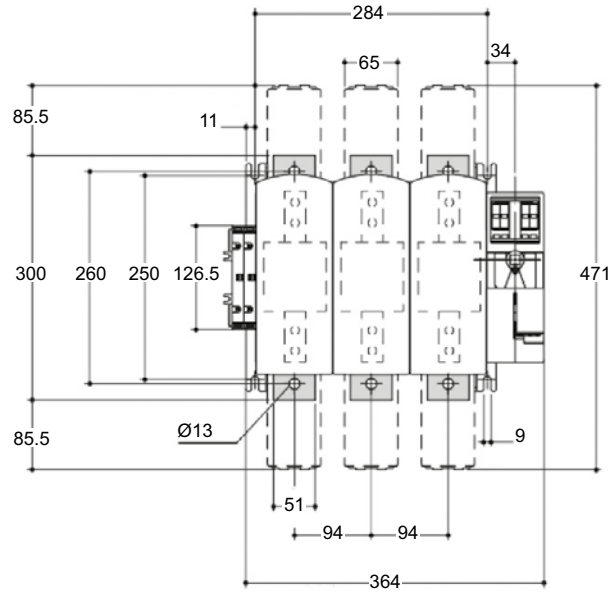
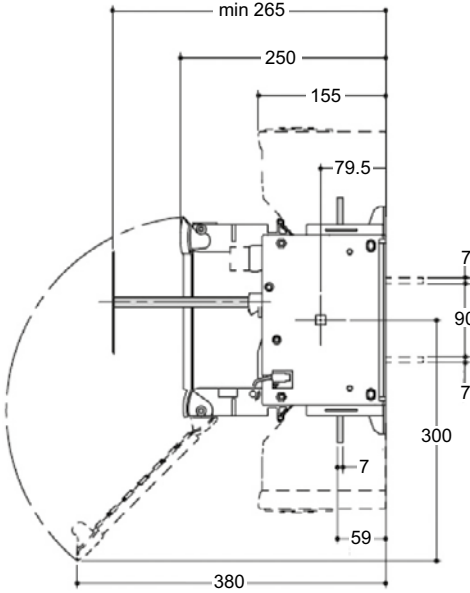
Characteristics:
p. B5/21

Schemes:
p. B5/30

UL, CSA, IEC - GS2●● Switch-disconnector fuses (600 and 800 A)

GS2SU3 (600 A), GS2TU3 (800 A) class J fuses

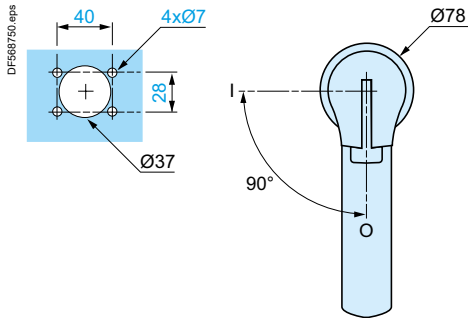
DB417422.eps



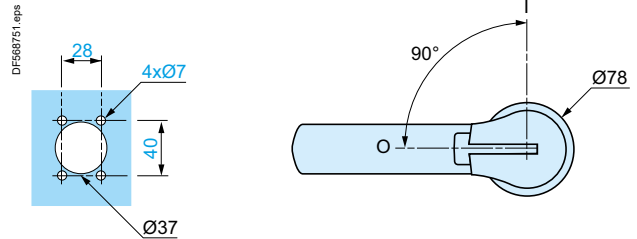
Accessories

Handle for 600 and 800 A switch-disconnector fuses

For external front-mounted operator



For external right-hand side-mounted operator



Switch-disconnector fuses

TeSys Power

Switch-disconnector fuses

Dimensions, schemes

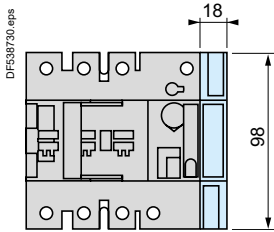


References:
p. B5/11

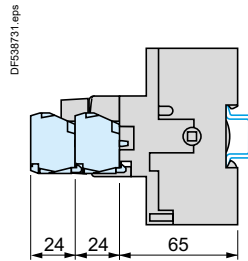
Characteristics:
p. B5/22

Auxiliary contacts

GS1AM111, GS1AM211



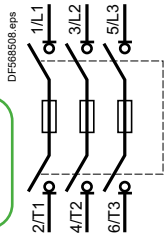
GS1AM110, GS1AM101



Schemes

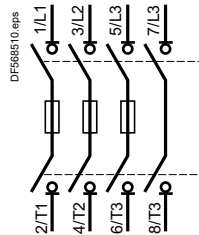
3-pole GS

32 to 1250 A

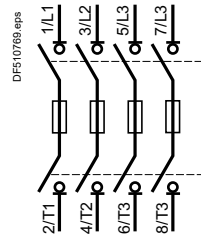


4-pole GS

32 A



50 to 1250 A



Switch-disconnector fuses

Auxiliary contacts

GS1AM110

1 N/O



GS1AM101

1 N/C



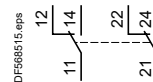
GS1AM111 and GS1AM1

1 C/O



GS1AM211 and GS1AM2

2 C/O

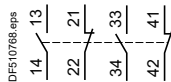


GS1AN●●

1 N/C + 1 N/O



2 N/C + 2 N/O

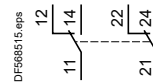


GS1AF●

1 C/O



2 C/O



TeSys Power - Deca, Giga Motor circuit breakers		
Type of product	Range (400/415 V AC)	Pages
Introduction		B6/3
TeSys Deca Frame 2 - Motor circuit breakers Magnetic, Thermal-magnetic (Product ref. GV2L, GV2LE, GV2P, GV2ME)	0.06 or 15 kW	 B6/11
TeSys Deca Frame 2 - Motor circuit breakers Thermal-magnetic - delayed tripping - For high current peak motors or 3-phase transformers (Product ref. GV2RT)	0.09 or 11 kW	 B6/18
Add-on blocks, accessories (for TeSys Deca Frame 2 circuit breakers)		
TeSys Deca Frame 3 - Motor circuit breakers Magnetic, Thermal-magnetic (Product ref. GV3L, GV3P)	5.5 to 45 kW	 B6/25
Add-on blocks, accessories (for TeSys Deca Frame 3 circuit breakers)		
TeSys Deca Frame 4 - Motor circuit breakers Magnetic, Thermal-magnetic (Product ref. GV4L, GV4LE, GV4P, GV4PE, GV4PEM, GV4PB)	0.25 to 55 kW 1/2 to 60 HP	 B6/31
Add-on blocks, accessories (for TeSys Deca Frame 4 circuit breakers)		
TeSys Giga Frame 5, 6 - Motor circuit breakers Thermal-magnetic (Product ref. GV5P, GV6P)	55 to 250 kW	 B6/49
Add-on blocks, accessories (for TeSys Giga Frame 5, 6 circuit breakers)		
PowerLogic™ Energy measurement solutions		
PowerTag Energy sensors can be used with TeSys Deca, Giga motor circuit breakers		 B6/58
PowerTag Energy Link Modbus TCP/IP concentrator for PowerTag Energy sensors		 B6/62
TeSys Power - Modular circuit breakers for auxiliary circuits		
Modular circuit breakers Thermal-magnetic (Product ref. GB)	0.5 to 20 A	 B6/63

Motor
circuit
breakers

Motor
circuit
breakers

TeSys Power

Deca, Giga Motor circuit breakers

Introduction

Circuit breakers for motor protection and control

Deca, Giga motor circuit breakers provide compact, reliable and efficient solutions for:

- isolation,
- protection against short circuits and overloads,
- On-Off manual control of motors from 0.06 to 250 kW.

They are conforming to, depending of the versions, IEC/EN 60947-1, IEC/EN 60947-2, IEC/EN 60947-4-1 and UL 60947-4-1, CSA 22.2 n° 60947-4-1.

Deca, Giga protection technologies

Deca, Giga circuit breakers are carried with 3 variants:

- Magnetic detection: product references GV2LE, GV2L, GV3L, GV4L, GV4LE for protection against short-circuit.
- Thermal-magnetic: product references GV2ME ⁽¹⁾, GV2P, GV3P, GV4P, GV4PE, GV5, GV6 for protection against short-circuits, overload, phase loss and phase unbalance.
- Advanced: product references GV4PEM combines GV4P protections and motor jam, long start, ground-fault protections.

With a magnetic circuit breaker, a thermal relay is frequently associated in order to have a short circuit protection and an overload protection.

TeSys Deca - Frame 2 circuit breakers: 45 mm width, for motors up to 15 kW

The most commonly used circuit breaker. with a choice of about 100 auxiliaries and accessories. TeSys Deca Frame 2 circuit breakers and TeSys K, Deca contactors can be easily assembled as a single block with one accessory.

The high Frame 2 electrical endurance (up to 100 000 operating cycles) makes it very suitable for direct manual motor control, especially ref. GV2ME ⁽¹⁾ (thermal-magnetic c.b., Ith up to 32 A).

Enclosure mounting is well adapted to ref. GV2L and GV2P, with their possible extended rotary handle and visible trip indication.

TeSys Deca - Frame 3 circuit breakers: 55 mm width, for motors up to 45 kW

High performance breakers, high breaking capacity (Ics 100 kA/400 V for ratings up to 32 A, 50 kA up to 80 A).

Wide choice of auxiliaries / accessories, possible extended rotary handle. Visible tri indication.

Patented Everlink connectors provide everlasting connection (no re-tightening required).

Direct monoblock starter assembly with TeSys Deca contactors. No accessory required.

TeSys Deca - Frame 4 circuit breakers: 81 mm width, for motors up to 55 kW

State-of-the-art technology, TeSys Deca Frame 4 is compact and robust. Electronic core of ref. GV4P gives a great detection accuracy, with alarming and advanced protections for ref. GV4PEM, GV4PB.

Magnetic, electronic thermal-magnetic, or electronic thermal-magnetic with advanced protections versions.

Ratings up to 115 A with breaking capacity Ics of 25 kA/400 V (B series), 50 kA/400 V (N series) or 100 kA/400 V (S series).

TeSys Giga - Frame 5: 105 mm width, for motors up to 110 kW / Frame 6: 140 mm width, for motors up to 250 kW

TeSys Giga - Frame 5 and 6 with advanced thermal-magnetic trip unit provide more effective protection to high power motors in the most demanding appliances.

They provide protection to motors against overloads with selection of a trip class (5, 10 or 20), short-circuits, phase unbalance or phase loss.

Adjustable over-load and short circuit current settings provide flexibility.

Wide choice of auxiliaries/accessories are available for indication, control and operation.

⁽¹⁾ Ref. GV2ME●●AP are specific GV2ME references for CEE zone.



Motor
circuit
breakers

TeSys Power

Deca, Giga Motor circuit breakers

Introduction

TeSys Deca, Giga circuit breakers - Range overview

Molded case circuit breakers for motor protection and control

Deca - Frame 2

Product reference	Protection against			Range (kW / 415 V AC)	Control	Terminals	Dimensions (W x H x D)
	Short-circuits	Overload	Jam, ground-fault, long start... (Multifunction - see page B6/6)				
GV2L	●			0.09 to 15	Rotary handle	Screw clamp	44.5 x 89 x 97 (with rotary handle)
GV2LE	●			0.06 to 15	Toggle	Screw clamp	44.5 x 89 x 78.5 (with toggle)
GV2P	●	●		0.06 to 15	Rotary handle	Screw clamp	44.5 x 89 x 97 (with rotary handle)
GV2ME ⁽¹⁾	●	●		0.06 to 15	Push button	Screw clamp, lug or spring	44.5 x 89 x 78.2 (with push button) ⁽²⁾
GV2RT	●	●		0.09 to 11	Toggle	Screw clamp	44.5 x 89 x 78.5 (with toggle)

Deca - Frame 3

GV3L	●			11 to 45	Rotary handle	Lug, EverLink (BTR screw)	55 x 132 x 136 (with rotary handle)
GV3P	●	●		5.5 to 45			

Deca - Frame 4

GV4L	●			0.25 to 55 kW	Rotary handle	Lug, EverLink (BTR screw)	81 x 156 x 116 (with toggle)
GV4LE	●				Toggle		81 X 156 x 165 (with rotary handle)
GV4P	●	●			Rotary handle		
GV4PE	●	●			Toggle		
GV4PEM	●	●	●		Toggle		
GV4PB	●	●	●	½ to 60 HP	Toggle		

Giga - Frame 5

GV5P150●	●	●		55 to 110	Direct rotary handle	Lug, screw clamp	105 x 161 x 155 ⁽³⁾ (with direct rotary handle)
GV5P220●	●	●					

Giga - Frame 6

GV6P320●	●	●		132 to 250	Direct rotary handle	Lug, screw clamp	140 x 255 x 179 ⁽³⁾ (with direct rotary handle)
GV6P500●	●	●					

(1) Ref. GV2ME●●AP are specific GV2ME references for CEE zone.

(2) 44.5 x 101 x 78.2 mm for GV2ME●●3.

(3) Depth without keylock.

Motor circuit breakers



GV2L



GV2LE



GV2P



GV2ME



GV2RT



GV3L



GV3P



GV4L



GV4P



GV4PEM



GV5P150F

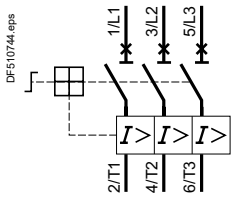


GV6P500F

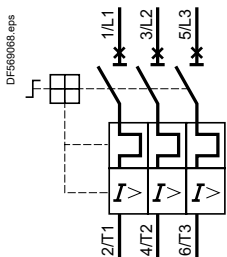
TeSys Power

Deca, Giga Motor circuit breakers

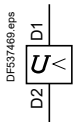
Introduction



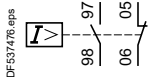
Thermal protection circuit breaker (with rotary handle)



Thermal-magnetic protection circuit breaker (with rotary handle)



Voltage trip



Fault signalling

Basic functions

Short circuit protection (magnetic / thermal-magnetic circuit breakers)

It provides a protection of the installation against short-circuit by an instantaneous trip of the circuit breaker. The tripping is obtained by means of a magnetic element incorporated in the motor circuit breaker or by an electronic detection (ref. GV4P, GV5 and GV6).

The magnetic tripping threshold is not adjustable, except on ref. GV4L, and is a fixed ratio of the maximum setting current I_n .

Overload protection (thermal-magnetic circuit breakers)

It provides a protection of the motor against overload. When current drawn by the motor is above its rated current, this continuous overcurrent lead to increase of motor internal temperature and reduce motor life time. Use of suitable protective device shall avoid this damage to the motor. This is obtained by means of a thermal element incorporated in the motor circuit breaker, or by sensors for electronic products (ref. GV4P, GV5 and GV6).

An automatic compensation for ambient temperature variations is also provided. The rated operational current of the motor is displayed by turning a graduated knob.

Motor ON/OFF control

The circuit breaker provides a local manual control of the motor when used on its own (without contactor). The operation is possible by push buttons, toggle, or a single rotary handle.

Contacts position indication

Because they are suitable for isolation, the circuit breakers, in the open position, provide an adequate isolation distance and indicate the accurate position of the moving contacts by the position of the operators.

Additional functions

They are provided by additional modules.

Under voltage protection

Trips the circuit breaker in case of under voltage. The user is therefore protected against sudden starting of the machine when normal voltage is restored. Circuit breaker reset and/or start button "I" has to be pressed to restart the motor.

Remote off-power

Circuit breaker can be remotely tripped with the addition of a shunt trip.

Off-power locking

The operators on both open-mounted and enclosed motor circuit breakers can be locked in the off position "O" by up to 3 padlocks.

Motor
circuit
breakers



Motor circuit breakers versus fuse protection ?

Circuit breakers are a common solution for Powering motor against short circuits and overloads.

As a comparison, a fuse based solution can only provide a partial protection depending on the choice of the fuse type and rating. The thermal-magnetic circuit breaker is adjustable and can be fine-tuned to the practical motor load.

The fuse based solution offers a very fast protection.

TeSys Power

Deca, Giga Motor circuit breakers

Introduction

PB114517 eps



Advanced protections embedded on Deca - Frame 4 ref. GV4PEM, GV4PB (multifunction)

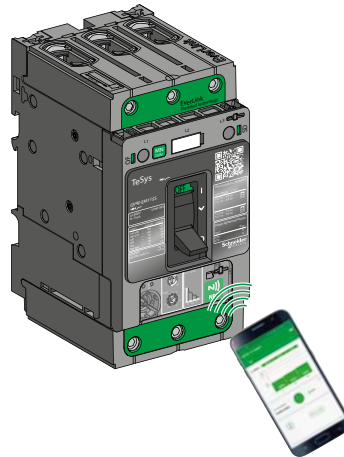
In addition to basic protections, ref. GV4PEM, GV4PB embed protections against:

- Long start (high inertia, resistive torque machines)
- Jam (overtorque, machine failure)
- Ground-fault (reduced isolation)
- Unbalanced (phase currents are not equal)
- Phase loss (1 or 2 phases missing).

Fully configurable-advanced protections:

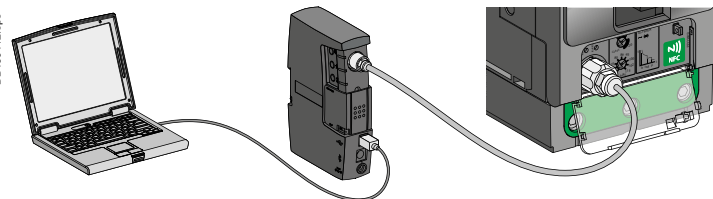
- wireless with 'EcoStruxure Power Device App' application for Android smartphone through NFC (near field communication).

DB439411 eps



- with EcoStruxure Power Commission software on a computer connected to the test socket through a configuration and maintenance module.

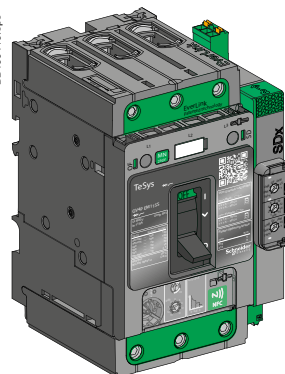
DB439412 eps



Remote indications:

Ref. GV4PEM, GV4PB circuit breaker may be equipped with an SDx alarming / fault differentiation module to prevent to trip or to identify the type of fault after a trip (see page B6/44).

DB439413 eps



Motor
circuit
breakers

EverLink technology for Frame 3 and 4

Frame 3 and 4 features a cable connection method with patented creep-compensating technology built directly into the terminal — EverLink:

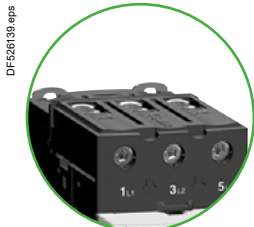
- With EverLink connectors, save space and time during panel assembly.
- Bare cable connections are as safe as compression lug ones.

No overheating connections - EverLink creep-compensated terminals for Frame 3, 4

The EverLink patented technology for terminals dramatically reduces the risk of loose bare cables due to copper creeping. Vibration withstand is improved and periodic re-tightening is no longer needed.

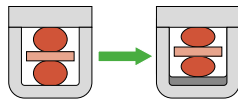


The clamp connectors which don't need re-tightening.



EverLink terminals, with BTR screws

Creeping phenomena

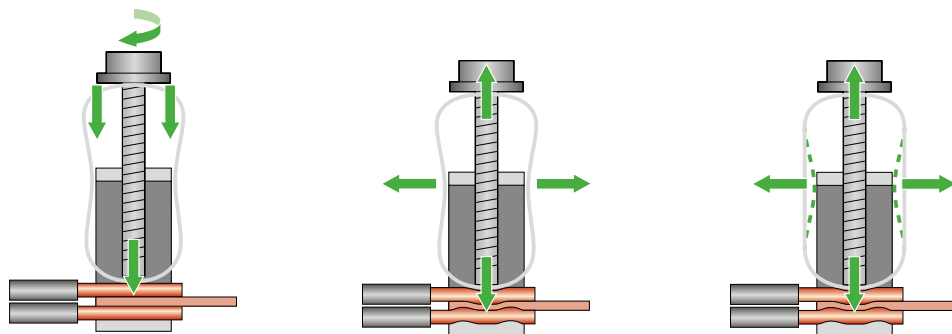


Copper conductors are subject to creep with the time, reducing the contact pressure in conventional clamps

During the tightening a force is applied on the conductors and on a spring.

Maintaining of cables assured by pressure of spring and crimping of conductor on the contact plate.

The spring compensates for cable conductor creep. Tightening force is assured.



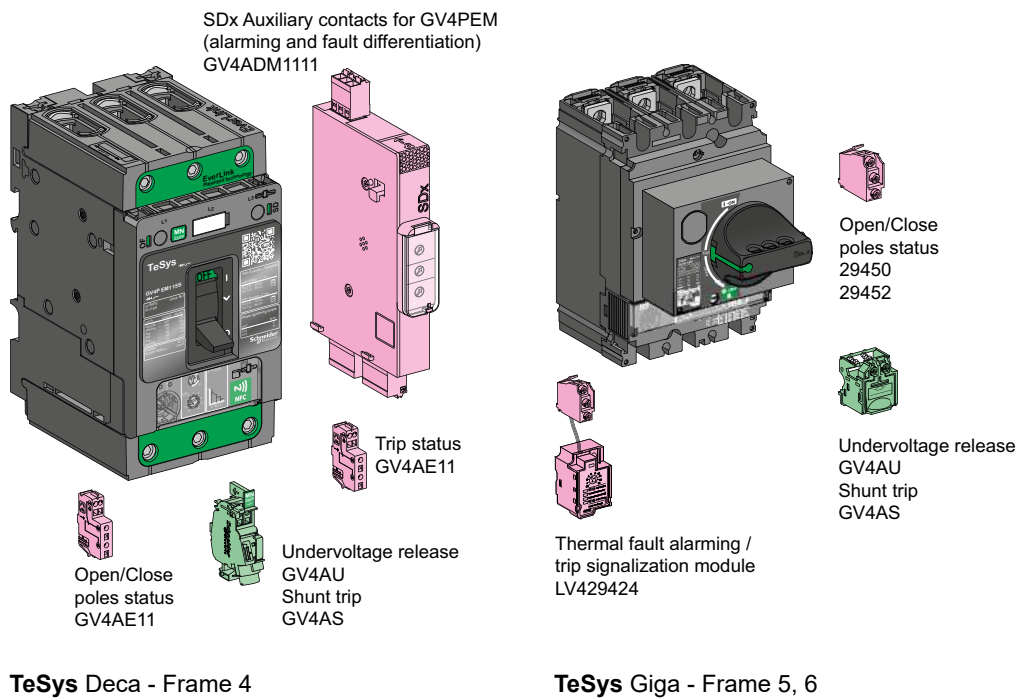
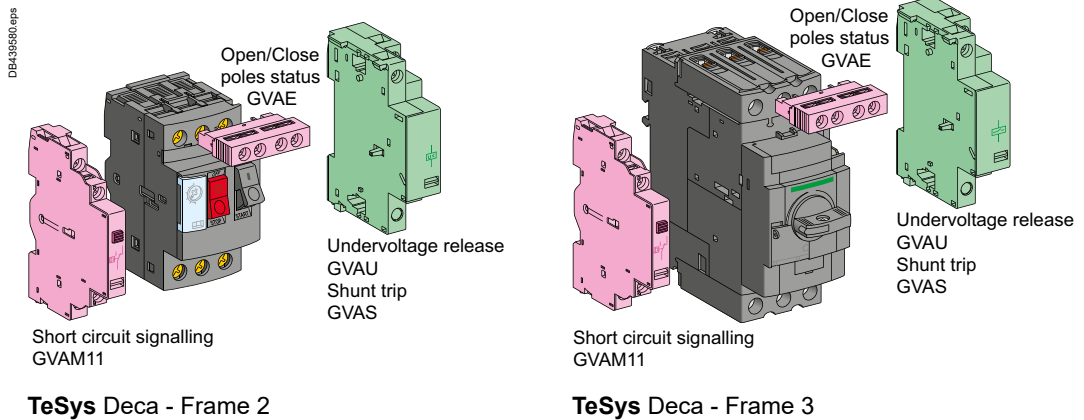
Motor circuit breakers

TeSys Power

Deca, Giga Motor circuit breakers

Introduction

Auxiliary functions provided by add-on blocks



Motor
circuit
breakers

- Auxiliary contacts add-on blocks**
For control, alarms, automatic actions:
- Instantaneous indication of the position of the circuit breaker contacts
 - Trip indication,
 - Alarming.
- Trip units**
For remote tripping of circuit breaker:
- Shunt trip / MX, trips the circuit breaker when powered
 - Undervoltage release / MN, trips the circuit breaker when voltage is loss.

TeSys Power

Deca, Giga Motor circuit breakers

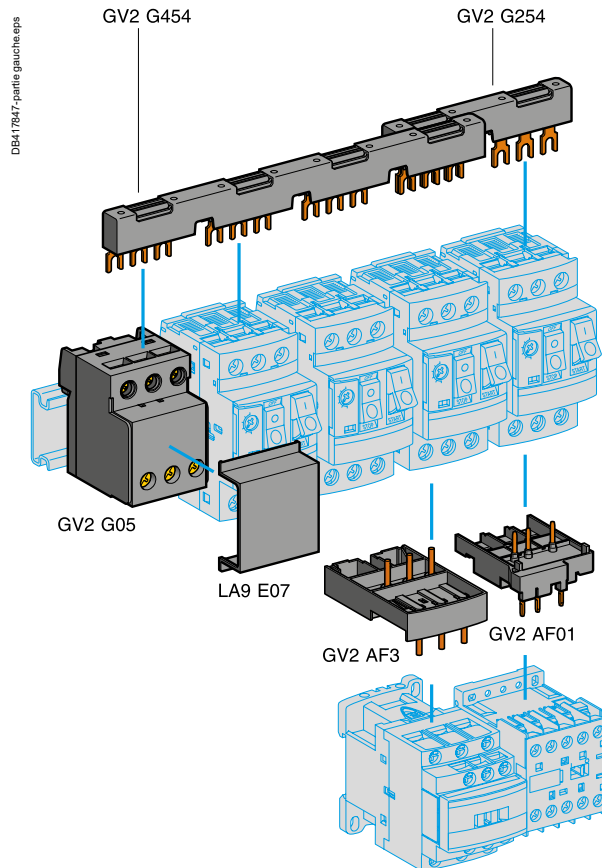
Introduction

Compact power circuits wiring with TeSys Deca circuit breakers (Frame 2) and Deca contactors ⁽¹⁾

Busbars and combination blocks

Power busbars and combinations blocks provide a compact solution for assembling a group of motor starters. They save wiring time and provide a clear finish aspect.

These solutions are available for Deca - Frame 2 circuit breakers + Deca contactors.



⁽¹⁾ Details on this solution in chapter B2 of this catalog.

Motor
circuit
breakers

TeSys Deca - Frame 2 0.06 to 15 kW



Motor
circuit
breakers



Characteristics:
p. B6/72 to B6/74

Curves:
p. B6/77 to B6/82

Dimensions:
p. B6/90 to B6/92

Schemes:
p. B6/99



GV2L16

Motor circuit breakers from 0.09 to 15 kW / 400 V

Deca - Frame 2 (ref. GV2L): Control by rotary handle, connection by screw clamp terminals

Standard power ratings of 3-phase motors
50/60 Hz in category AC-3/AC-3e

Standard power ratings of 3-phase motors 50/60 Hz in category AC-3/AC-3e									Rated current I _n	Magnetic tripping current I _i ± 20 %	Use in association with thermal overload relay (class 10 A)	Reference
400/415 V			500 V			690 V						
P	I _{cu}	I _{cs} ⁽¹⁾	P	I _{cu}	I _{cs} ⁽¹⁾	P	I _{cu}	I _{cs} ⁽¹⁾				
kW	kA		kW	kA		kW	kA		A	A		
0.09	*	*	-	-	-	-	-	-	0.4	5.8	LRD03	GV2L03
0.12	*	*	-	-	-	0.37	*	*	0.63	9.3	LRD04	GV2L04
0.18	*	*	-	-	-	-	-	-	0.63	9.3	LRD04	GV2L04
-	-	-	-	-	-	0.55	*	*	1	15.1	LRD05	GV2L05
0.25	*	*	-	-	-	-	-	-	1	15.1	LRD05	GV2L05
-	-	-	-	-	-	0.75	*	*	1	15.1	LRD05	GV2L05
0.37	*	*	0.37	*	*	-	-	-	1	15.1	LRD06	GV2L05
0.55	*	*	0.55	*	*	1.1	*	*	1.6	26.2	LRD06	GV2L06
-	-	-	0.75	*	*	-	-	-	1.6	26.2	LRD06	GV2L06
0.75	*	*	1.1	*	*	1.5	4	100	2.5	39	LRD07	GV2L07
1.1	-	-	-	-	-	-	-	-	-	-	LRD08	GV2L08
1.5	*	*	1.5	*	*	3	4	100	4	74	LRD08	GV2L08
-	-	-	-	-	-	-	-	-	-	-	LRD08	GV2L08
2.2	*	*	3	*	*	4	4	100	6.3	91	LRD10	GV2L10
3	*	*	4	10	100	5.5	4	100	10	149	LRD12	GV2L14
4	-	-	-	-	-	-	-	-	-	-	LRD14	GV2L14
-	-	-	-	-	-	7.5	4	100	10	149	LRD14	GV2L14
-	-	-	-	-	-	9	4	100	14	253.4	LRD16	GV2L16
5.5	50	50	7.5	10	75	11	4	100	14	253.4	LRD16	GV2L16
7.5	50	50	9	10	75	15	4	100	18	341	LRD21	GV2L20
9	50	50	11	10	75	18.5	4	100	25	388.3	LRD22	GV2L22
11	50	50	15	10	75	-	-	-	25	388.3	LRD22	GV2L22
15	50	50	18.5	10	75	22	4	100	32	537.6	LRD32	GV2L32

(1) As % of I_{cu}. Associated current limiter or fuses, where required.
* > 100 kA.

TeSys Power

Deca - Frame 2 Motor circuit breakers - Magnetic

Product references



Characteristics:
p. B6/72 to B6/74

Curves:
p. B6/77 to B6/82

Dimensions:
p. B6/90 to B6/92

Schemes:
p. B6/99

PB11679 eps



GV2LE

Magnetic motor circuit breakers from 0.06 to 15 kW / 400 V													
Deca - Frame 2 (ref. GV2LE): control by toggle, connection by screw clamp terminals													
Standard power ratings of 3-phase motors 50/60 Hz in category AC-3/AC-3e										Rated current I _n	Magnetic tripping current I _{li} ± 20 %	Use in association with thermal overload relay	Reference
400/415 V			500 V			690 V							
P	I _{cu}	I _{cs} ⁽¹⁾	P	I _{cu}	I _{cs} ⁽¹⁾	P	I _{cu}	I _{cs} ⁽¹⁾					
kW	kA		kW	kA		kW	kA		A	A			
0.06	*	*	-	-	-	-	-	-	0.4	5.8	LR2K0302	GV2LE03	
0.09	*	*	-	-	-	-	-	-	0.4	5.8	LR2K0304	GV2LE03	
0.12	*	*	-	-	-	0.37	*	*	0.63	9.3	LR2K0304	GV2LE04	
0.18	*	*	-	-	-	-	-	-	0.63	9.3	LR2K0305	GV2LE04	
-	-	-	-	-	-	0.55	*	*	1	15.1	LR2K0305	GV2LE05	
0.25	*	*	-	-	-	-	-	-	1	15.1	LR2K0306	GV2LE05	
-	-	-	-	-	-	0.75	*	*	1	15.1	LR2K0306	GV2LE05	
0.37	*	*	0.37	*	*	-	-	-	1	15.1	LR2K0306	GV2LE05	
0.55	*	*	0.55	*	*	1.1	*	*	1.6	26.2	LR2K0307	GV2LE06	
-	-	-	0.75	*	*	-	-	-	1.6	26.2	LR2K0307	GV2LE06	
0.75	*	*	1.1	*	*	1.5	3	75	2.5	39	LR2K0308	GV2LE07	
1.1	*	*	-	-	-	-	-	-	2.5	39	LR2K0308	GV2LE07	
1.5	*	*	1.5	*	*	3	3	75	4	74	LR2K0310	GV2LE08	
-	-	-	2.2	*	*	-	-	-	4	74	LR2K0312	GV2LE08	
2.2	*	*	3	50	100	4	3	75	6.3	91	LR2K0312	GV2LE10	
3	*	*	4	10	100	5.5	3	75	10	149	LR2K0314	GV2LE14	
4	*	*	5.5	10	100	-	-	-	10	149	LR2K0316	GV2LE14	
-	-	-	-	-	-	7.5	3	75	10	149	LRD14	GV2LE14	
-	-	-	-	-	-	9	3	75	14	253.4	LRD16	GV2LE16	
5.5	15	50	7.5	6	75	11	3	75	14	253.4	LR2K0321	GV2LE16	
7.5	15	50	9	6	75	15	3	75	18	341	LRD21	GV2LE20	
9	15	40	11	4	75	18.5	3	75	25	388.3	LRD22	GV2LE22	
11	15	40	15	4	75	-	-	-	25	388.3	LRD22	GV2LE22	
15	10	50	18.5	4	75	22	3	75	32	537.6	LRD32	GV2LE32	

⁽¹⁾ As % of I_{cu}.
* > 100 kA.

Motor
circuit
breakers



Characteristics:
p. B6/72 to B6/76

Curves:
p. B6/83 to B6/85

Dimensions:
p. B6/93 to B6/97

Schemes:
p. B6/99



GV2ME

Motor
circuit
breakers

Motor circuit breakers from 0.06 to 15 kW / 400 V

Deca - Frame 2 (ref. GV2ME): control by push button, connection by screw clamp terminals

Standard power ratings of 3-phase motors
50/60 Hz in category AC-3/AC-3e

400/415 V			500 V			690 V			Setting range of thermal trips (2)	Magnetic tripping current I _i ± 20 %	Reference
P	I _{cu}	I _{cs} (1)	P	I _{cu}	I _{cs} (1)	P	I _{cu}	I _{cs} (1)			
kW	kA	%	kW	kA	%	kW	kA	%	A	A	
-	-	-	-	-	-	-	-	-	0.1...0.16	1.93	GV2ME01
0.06	*	*	-	-	-	-	-	-	0.16...0.25	3.08	GV2ME02
0.09	*	*	-	-	-	-	-	-	0.25...0.40	5.8	GV2ME03
0.12	*	*	-	-	-	0.37	*	*	0.40...0.63	9.3	GV2ME04
0.18	*	*	-	-	-	-	-	-			
0.25	*	*	-	-	-	0.55	*	*	0.63...1	15.1	GV2ME05
0.37	*	*	0.37	*	*	-	-	-	1...1.6	26.2	GV2ME06
0.55	*	*	0.55	*	*	0.75	*	*			
-	-	-	0.75	*	*	1.1	*	*			
0.75	*	*	1.1	*	*	1.5	3	75	1.6...2.5	39	GV2ME07
1.1	*	*	1.5	*	*	2.2	3	75	2.5...4	74	GV2ME08
1.5	*	*	2.2	*	*	3	3	75			
2.2	*	*	3	50	100	4	3	75	4...6.3	91	GV2ME10
3	*	*	4	10	100	5.5	3	75	6...10	149	GV2ME14
4	*	*	5.5	10	100	7.5	3	75			
5.5	15	50	7.5	6	75	9	3	75	9...14	253.4	GV2ME16
-	-	-	-	-	-	11	3	75			
7.5	15	50	9	6	75	15	3	75	13...18	341	GV2ME20
9	15	40	11	4	75	18.5	3	75	17...23	341	GV2ME21
11	15	40	15	4	75	-	-	-	20...25	388.3	GV2ME22 (3)
15	10	50	18.5	4	75	22	3	75	24...32	537.6	GV2ME32

Connection by lugs

To order thermal-magnetic circuit breakers with connection by lugs, add the digit **6** to the end of reference selected above.

Example: ref. **GV2ME08** becomes **GV2ME086**.

Thermal-magnetic circuit breakers GV2ME with built-in auxiliary contact block

With instantaneous auxiliary contact block (composition, see page B6/21):

- GVAE1, add suffix **AE1TQ** to the motor circuit breaker reference selected above.
Example: **GV2ME01AE1TQ**.
- GVAE11, add suffix **AE11TQ** to the motor circuit breaker reference selected above.
Example: **GV2ME01AE11TQ**.
- GVAN11, add suffix **AN11TQ** to the motor circuit breaker reference selected above.
Example: **GV2ME01AN11TQ**.

These circuit breakers with built-in contact block are sold in lots of 20 units in a single pack.

(1) As % of I_{cu}.

(2) The thermal trip setting must be within the range marked on the graduated knob.

(3) Maximum rating which can be mounted in enclosures **GV2MC** or **MP**, please consult your Regional Sales Office.

* > 100 kA.



Characteristics:
p. B6/72 to B6/76

Curves:
p. B6/83 to B6/85

Dimensions:
p. B6/93 to B6/97

Schemes:
p. B6/99

PB01216731R



GV2ME

Motor circuit breakers from 3/4 to 20 HP / 460 V

Deca - Frame 2 (ref. GV2ME): control by push button, connection by screw clamp terminals

Thermal setting (A)	Maximum Horsepower ratings									Group Motor applications Max. Fuse or Circuit breaker (A)	Reference
	Single-Phase			Three-Phase							
	115 V	200 V	230 V	115 V	200 V	230 V	460 V	575 V			
0.1...0.16	-	-	-	-	-	-	-	-	-	450	GV2ME01
0.16...0.25	-	-	-	-	-	-	-	-	-	450	GV2ME02
0.25...0.40	-	-	-	-	-	-	-	-	-	450	GV2ME03
0.40...0.63	-	-	-	-	-	-	-	-	-	450	GV2ME04
0.63...1	-	-	-	-	-	-	-	1/2	1/2	450	GV2ME05
1...1.6	-	-	1/10	-	-	-	3/4	3/4	3/4	450	GV2ME06
1.6...2.5	-	1/6	1/6	-	1/2	1/2	1	1.5	1.5	450	GV2ME07
2.5...4	1/8	1/4	1/3	-	3/4	3/4	2	3	3	450	GV2ME08
4...6.3	1/4	1/2	1/2	3/4	1	1.5	3	5	5	450	GV2ME10
6...10	1/2	1	1.5	1	2	3	5	7.5	7.5	450	GV2ME14
9...14	3/4	2	2	2	3	3	10	10	10	450	GV2ME16
13...18	1	2	3	2	5	5	10	15	15	450	GV2ME20
17...23	1.5	3	3	3	5	7.5	15	20	20	450	GV2ME21
20...25	2	-	-	-	7.5	7.5	15	20	20	450	GV2ME22
24...32	2	5	5	5	7.5	10	20	25	25	450	GV2ME32

Motor circuit breakers



Characteristics:
p. B6/72 to B6/76

Curves:
p. B6/83 to B6/85

Dimensions:
p. B6/93 to B6/97

Schemes:
p. B6/99



GV2ME●●3

Motor
circuit
breakers

Motor circuit breakers from 0.06 to 11 kW / 400 V

Deca - Frame 2 (ref. GV2ME): control by push button, connection by spring terminals

Standard power ratings of 3-phase motors 50/60 Hz in category AC-3/AC-3e						Setting range of thermal trips (2)	Magnetic tripping current I _t ± 20 %	Reference
400/415 V			500 V					
P	I _{cu}	I _{cs} (1)	P	I _{cu}	I _{cs} (1)			
kW	kA	%	kW	kA	%	A	A	
-	-	-	-	-	-	0.1...0.16	1.93	GV2ME013
0.06	*	*	-	-	-	0.16...0.25	3.08	GV2ME023
0.09	*	*	-	-	-	0.25...0.40	5.8	GV2ME033
0.12	*	*	-	-	-	0.40...0.63	9.3	GV2ME043
0.18	*	*	-	-	-			
0.25	*	*	0.37	*	*	0.63...1	15.1	GV2ME053
0.37	*	*						
0.37	*	*	0.37	*	*	1...1.6	26.2	GV2ME063
0.55	*	*	0.55	*	*			
			0.75	*	*			
0.75	*	*	1.1	*	*	1.6...2.5	39	GV2ME073
1.1	*	*	1.5	*	*	2.5...4	74	GV2ME083
1.5	*	*	2.2	*	*			
2.2	*	*	3	50	100	4...6.3	91	GV2ME103
3	*	*	4	10	100	6...10	149	GV2ME143
4	*	*	5.5	10	100			
5.5	15	50	7.5	6	75	9...14	253.4	GV2ME163
7.5	15	50	9	6	75	13...18	341	GV2ME203
9	15	40	11	4	75	17...23	341	GV2ME213
11	15	40						
11	15	40	15	4	75	20...25	388.3	GV2ME223

Contact blocks

Description	Mounting	Maximum number	Type of contacts	Sold in lots of	Unit reference
Instantaneous auxiliary contacts	Front	1	N/O + N/C	10	GVAE113
			N/O + N/O	10	GVAE203
	LH side	2	N/O + N/C	1	GVAN113
			N/O + N/O	1	GVAN203

(1) Maximum rating which can be mounted in enclosures GV2MC or MP, please consult your Regional Sales Office

(2) The thermal trip setting must be within the range marked on the graduated knob.

* > 100 kA.



Characteristics:
p. B6/72 to B6/76

Curves:
p. B6/83 to B6/85

Dimensions:
p. B6/93 to B6/97

Schemes:
p. B6/99

PB121672.fr



GV2P08

Motor circuit breakers from 0.06 to 15 kW / 400 V

Deca - Frame 2 (ref. GV2P): control by rotary handle, connection by screw clamp terminals

Standard power ratings of 3-phase motors
50/60 Hz in category AC-3/AC-3e

400/415 V			500 V			690 V			Setting range of thermal trips ⁽²⁾	Magnetic tripping current li ± 20 %	Reference
P	Icu	Ics ⁽¹⁾	P	Icu	Ics ⁽¹⁾	P	Icu	Ics ⁽¹⁾			
kW	kA	%	kW	kA	%	kW	kA	%	A	A	
—	—	—	—	—	—	—	—	—	0.1...0.16	1.93	GV2P01
0.06	*	*	—	—	—	—	—	—	0.16...0.25	3.08	GV2P02
0.09	*	*	—	—	—	—	—	—	0.25...0.40	5.8	GV2P03
0.12	*	*	—	—	—	0.37	*	*	0.40...0.63	9.3	GV2P04
0.18	*	*	—	—	—	—	—	—	—	—	—
0.25	*	*	—	—	—	0.55	*	*	0.63...1	15.1	GV2P05
0.37	*	*	0.37	*	*	—	—	—	1...1.6	26.2	GV2P06
0.55	*	*	0.55	*	*	0.75	*	*	—	—	—
0.75	*	*	1.1	*	*	1.5	8	100	1.6...2.5	39	GV2P07
1.1	*	*	1.5	*	*	2.2	8	100	2.5...4	74	GV2P08
2.2	*	*	3	*	*	4	6	100	4...6.3	91	GV2P10
3	*	*	5	50	100	5.5	6	100	6...10	149	GV2P14
5.5	*	*	7.5	42	75	9	6	100	9...14	253.4	GV2P16
—	—	—	—	—	—	11	6	100	—	—	—
7.5	50	50	9	10	75	15	4	100	13...18	341	GV2P20
9	50	50	11	10	75	18.5	4	100	17...23	341	GV2P21
11	50	50	15	10	75	—	—	—	20...25	388.3	GV2P22
15	50	50	18.5	10	75	22	4	100	24...32	537.6	GV2P32

How to use the table : select your load operating voltage, then select its standard power value (below, in the same column). The appropriate circuit breaker is in the extreme right column, in the corresponding row.

Example: GV2P04 can protect 0.12 and 0.18 kW under 400/415 V, and 0.18 kW under 440 V, and 0.37 kW under 690 V. No 500 V standard power value can fit GV2P04.

Motor circuit breakers up to 50 HP / 600 V, UL 60947-4-1 type E

Deca - Frame 2 (ref. GV2P): control by rotary handle, connection by screw clamp terminals

To obtain a GV2P motor circuit breaker, UL 60947-4-1 type E, use the following with the circuit breaker:

- a "Large Spacing" adapter **GV2GH7**.

Motor circuit breakers from 3/4 to 20 HP / 460 V

Deca - Frame 2 (ref. GV2P): control by rotary handle, connection by screw clamp terminals

Thermal setting (A)	Maximum Horsepower ratings ⁽³⁾								Group Motor applications Max. Fuse or Circuit breaker (A)	Reference
	Single-Phase			Three-Phase						
	115 V	200 V	230 V	115 V	200 V	230 V	460 V	575 V		
0.1...0.16	—	—	—	—	—	—	—	—	450	GV2P01
0.16...0.25	—	—	—	—	—	—	—	—	450	GV2P02
0.25...0.40	—	—	—	—	—	—	—	—	450	GV2P03
0.40...0.63	—	—	—	—	—	—	—	—	450	GV2P04
0.63...1	—	—	—	—	—	—	—	1/2	450	GV2P05
1...1.6	—	—	1/10	—	—	—	3/4	3/4	450	GV2P06
1.6...2.5	—	1/6	1/6	—	1/2	1/2	1	1.5	450	GV2P07
2.5...4	1/8	1/4	1/3	—	3/4	3/4	2	3	450	GV2P08
4...6.3	1/4	1/2	1/2	3/4	1	1.5	3	5	450	GV2P10
6...10	1/2	1	1.5	1	2	3	5	7.5	450	GV2P14
9...14	3/4	2	2	2	3	3	10	10	450	GV2P16
13...18	1	2	3	2	5	5	10	15	450	GV2P20
17...23	1.5	3	3	3	5	7.5	15	20	450	GV2P21
20...25	2	—	—	—	7.5	7.5	15	20	450	GV2P22
24...32	2	5	5	5	7.5	10	20	25	450	GV2P32

(1) As % of Icu.

(2) The thermal trip setting must be within the range marked on the graduated knob.

(3) 3P FLA corresponding values: see page A5/142.

* > 100 kA.

Motor circuit breakers



Characteristics:
p. B6/72 to B6/76

Curves:
p. B6/83 to B6/85

Dimensions:
p. B6/98

Schemes:
p. B6/99

PB1215/4 eps



GV2RT

For motors with high current peak on starting

Deca - Frame 2 (ref. GV2RT): control by toggle, connection by screw clamp terminals

Standard power ratings of 3-phase motors 50/60 Hz in category AC-3/AC-3e					Setting range of thermal trips (1)	Magnetic tripping current I _n ± 20 %	Reference
220/ 230 V	400/ 415 V	440 V	500 V	690 V			
kW	kW	kW	kW	kW	A	A	
0.06	0.09	0.09 0.12	–	–	0.25...0.40	8	GV2RT03
–	0.12 0.18	0.18	–	0.37	0.40...0.63	13	GV2RT04
0.09 0.12	0.25 0.37	0.25 0.37	0.37	0.55	0.63...1	22	GV2RT05
0.18 0.25	0.37 0.55	0.37 0.55	0.37 0.55 0.75	0.75 1.1	1...1.6	33	GV2RT06
0.37	0.75	0.75 1.1	1.1	1.5	1.6...2.5	51	GV2RT07
0.55 0.75	1.1 1.5	1.5	1.5 2.2	2.2 3	2.5...4	78	GV2RT08
1.1	2.2	2.2 3	3	4	4...6.3	138	GV2RT10
1.5 2.2	3 4	4	4 5.5	5.5 7.5	6...10	200	GV2RT14
2.2 3	5.5	5.5 7.5	7.5	9 11	9...14	280	GV2RT16
4	7.5	7.5 9	9	15	13...18	400	GV2RT20
5.5	9 11	11	11	18.5	17...23	400	GV2RT21

For primaries of 3-phase transformers

Deca - Frame 2 (ref. GV2RT): control by toggle, connection by screw clamp terminals

Standard power ratings					Setting range of thermal trips (1)	Magnetic tripping current I _n ± 20 %	Reference
230/240 V	400/415 V	440 V	500 V	690 V			
kVA	kVA	kVA	kVA	kVA	A	A	
–	–	–	–	–	0.25...0.40	8	GV2RT03
–	–	–	–	–	0.40...0.63	13	GV2RT04
–	–	0.63	0.63	1	0.63...1	22	GV2RT05
0.4	0.63	1	1	–	1...1.6	33	GV2RT06
0.63	1	–	1.6	1.6 2	1.6...2.5	51	GV2RT07
1	1.6 2	1.6 2	2 2.5	2.5	2.5...4	78	GV2RT08
1.6 2	2.5	2.5 4	4	4 5 6.3	4...6.3	138	GV2RT10
2.5	4 5	5	5 6.3	–	6...10	200	GV2RT14
4	6.3	6.3	–	10 12.5	9...14	280	GV2RT16
5 6.3	10	10	10 12.5	10	13...18	400	GV2RT20

Accessory (2)

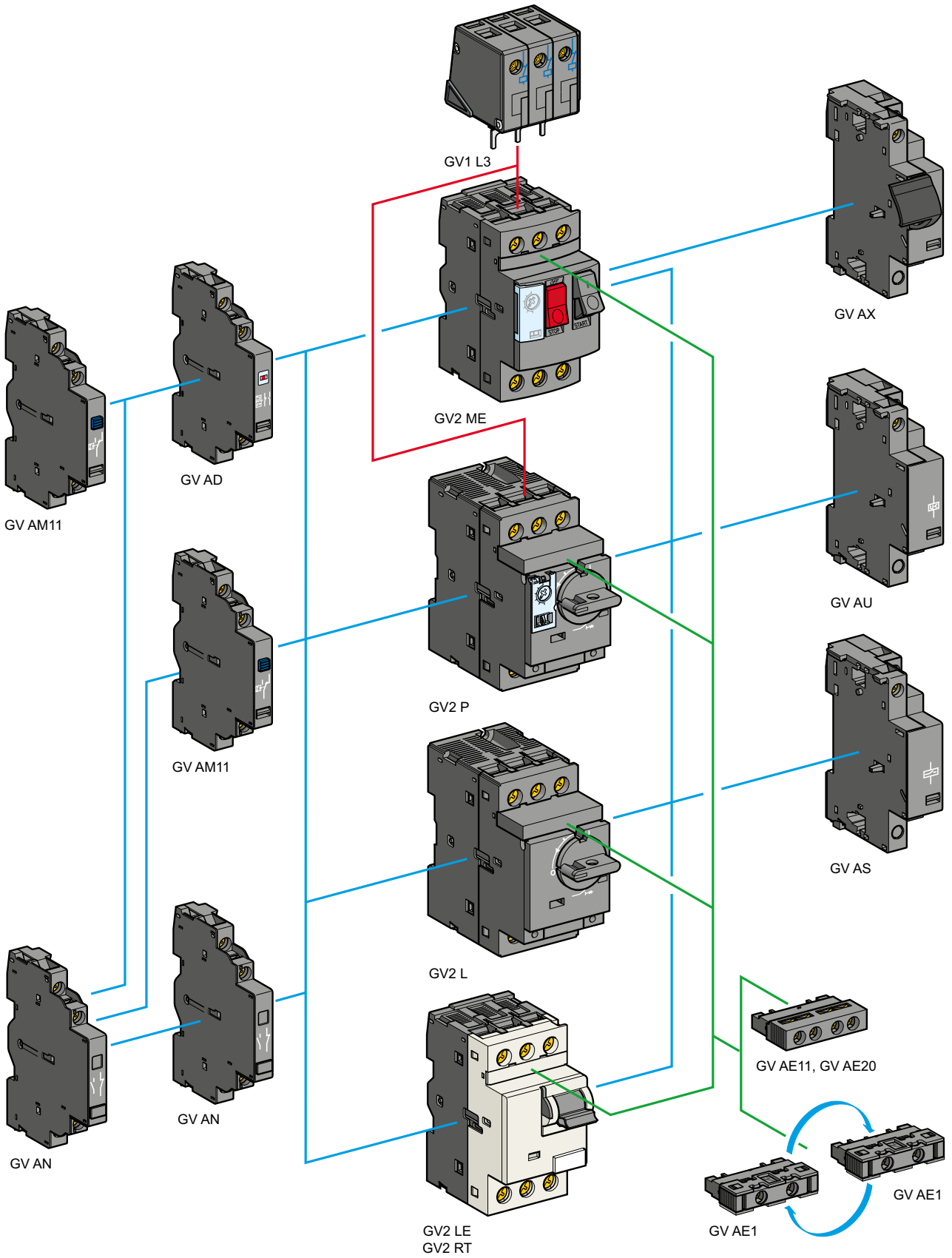
Description	Reference
Padlockable external operator (IP 54) Black handle, grey plate	GV2APN10

(1) The thermal trip setting must be within the range marked on the graduated knob.

(2) Other accessories such as mounting, cabling and marking accessories are identical to those used for GV2ME motor circuit breakers, see page B6/23.

Motor
circuit
breakers

Motor circuit breakers





Characteristics:
p. B6/87 to B6/89

Dimensions:
p. B6/90

Schemes:
p. B6/99

Contact blocks

Description	Mounting	Maximum number	Type of contacts	Sold in lots of	Unit reference	
Instantaneous auxiliary contacts	Front	1	N/O or N/C ⁽¹⁾	10	GVAE1	
			N/O + N/C	10	GVAE11	
			N/O + N/O	10	GVAE20	
	Side (LH)	2	N/O + N/C	1	GVAN11	
			N/O + N/O	1	GVAN20	
Fault signalling contact + instantaneous auxiliary contact	Side ⁽²⁾ (LH)	1	N/O (fault)	+ N/O	1	GVAD1010
				+ N/C	1	GVAD1001
			N/C (fault)	+ N/O	1	GVAD0110
				+ N/C	1	GVAD0101
Short-circuit signalling contact	Side (LH)	1	C/O common point	1	GVAM11	

Electric trips

Mounting	Voltage		Reference
Undervoltage or shunt trips ⁽³⁾			
Side (1 block on RH side of circuit breaker)	24 V	50 Hz	GVA●025
		60 Hz	GVA●026
	48 V	50 Hz	GVA●055
		60 Hz	GVA●056
	100 V	50 Hz	GVA●107
		60 Hz	GVA●107
	110...115 V	50 Hz	GVA●115
		60 Hz	GVA●116
	127 V	50 Hz	GVA●125
		60 Hz	GVA●115
	200 V	50 Hz	GVA●207
		60 Hz	GVA●207
	220...240 V	50 Hz	GVA●225
		60 Hz	GVA●226
	380...400 V	50 Hz	GVA●385
		60 Hz	GVA●386
	415...440 V	50 Hz	GVA●415
		60 Hz	GVA●416
	440 V	60 Hz	GVA●385
480 V	60 Hz	GVA●415	
500 V	50 Hz	GVA●505	
600 V	60 Hz	GVA●505	

Undervoltage trip, INRS (can only be mounted on GV2ME)

Safety device for dangerous machines conforming to INRS and VDE 0113

Side (1 block on RH side of circuit breaker GV2ME)	110...115 V	50 Hz	GVAX115
		60 Hz	GVAX116
	127 V	60 Hz	GVAX115
		50 Hz	GVAX225
	220...240 V	60 Hz	GVAX226
		50 Hz	GVAX385
	380...400 V	60 Hz	GVAX386
		50 Hz	GVAX415
	440 V	60 Hz	GVAX385
	480 V	60 Hz	GVAX415

Limiter blocks

Description	Mounting	Maximum number	Reference
Limiters	At top (GV2ME and GV2P) for circuit breakers with screw clamp connections	1	GV1L3
	Independent ⁽⁴⁾	1	LA9LB920

⁽¹⁾ Choice of N/C or N/O contact operation, depending on which way round the reversible block is mounted.

⁽²⁾ The GVAD is always mounted next to the circuit breaker.

⁽³⁾ To order an undervoltage trip: replace the dot (●) in the reference with a U, example: GVAU025.

To order a shunt trip: replace the dot (●) in the reference with an S, example: GVAS025.

⁽⁴⁾ For more information about the current limiter LA9LB920, please refer to pages A4/32 and A4/48.

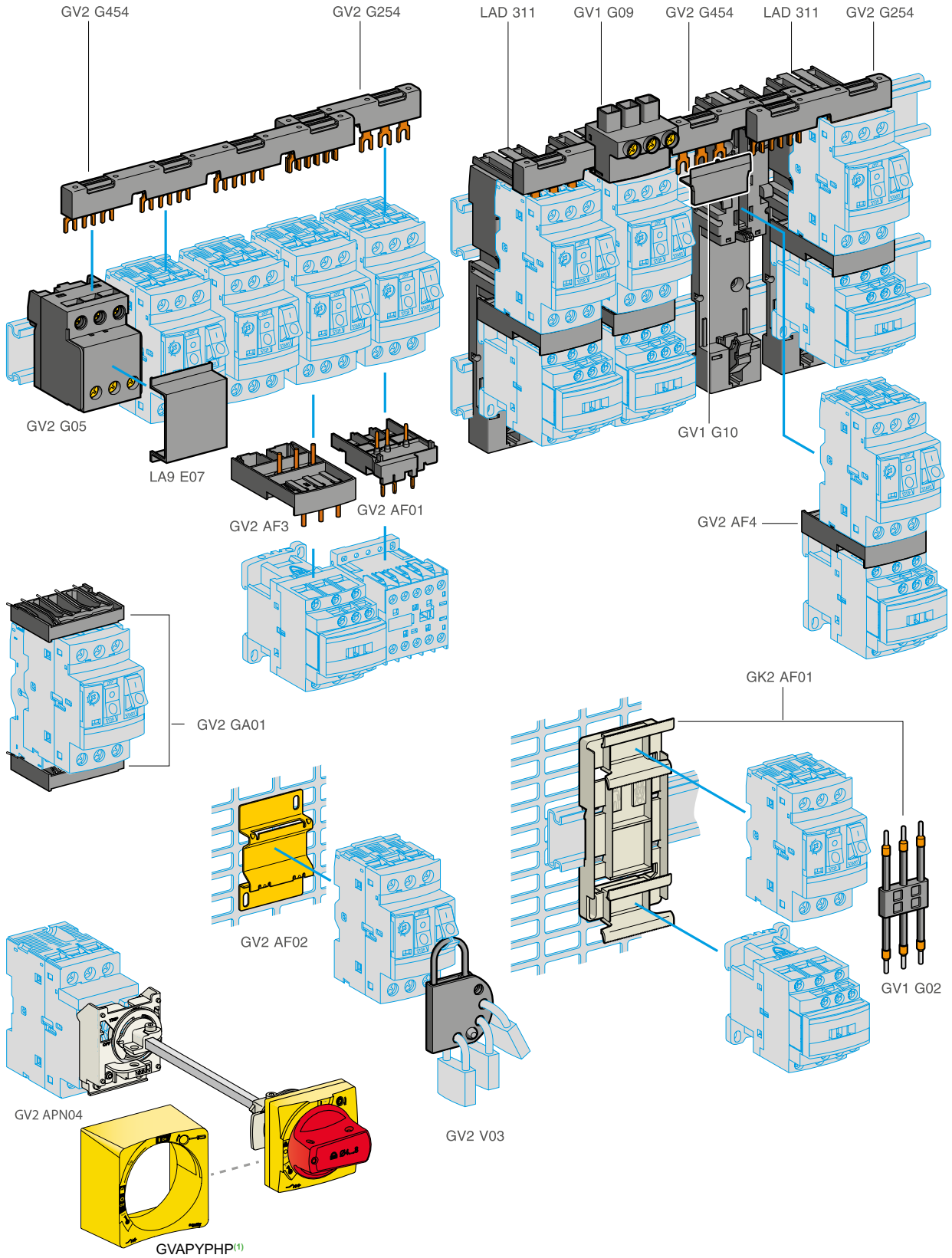


GV1L3



LA9LB920

Motor circuit breakers



⁽¹⁾ Standard front plate must be removed from the assembly and replaced by Protective front plate (GVAPYPHP).

TeSys Power

Deca - Frame 2 Motor circuit breakers - Accessories

Product references

Accessories for circuit breakers with screw clamp connections			
Description	Application	Sold in lots of	Unit reference
Adapter plates	For mounting a GV2 by screw fixing	10	GV2AF02
	For mounting a GV2ME and contactor LC1D09...D38 with front faces aligned	1	LAD311
Height compensation plate	7.5 mm to align GV2ME-GV2LE and GV2P-GV2L and allow the use of a common GV2G●●● busbar	10	GV1F03
Combination blocks	Between GV2 and contactor LC1K or LP1K	10	GV2AF01
	Between GV2 and contactor LC1D09...D38	10	GV2AF3
	Between GV2 mounted on LAD311 and contactor LC1D09...D38	10	GV2AF4
Motor starter adapter plate	With 3-pole connection for mounting a GV2 and a contactor LC1D09...D25	1	GK2AF01

Description	Application	Pitch mm	Reference
Sets of 3-pole Ie = 63 A busbars	2 tap-offs	45	GV2G245
		54	GV2G254
		72	GV2G272
	3 tap-offs	45	GV2G345
		54	GV2G354
	4 tap-offs	45	GV2G445
		54	GV2G454
		72	GV2G472
	5 tap-offs	54	GV2G554

Description	Ie	Application	Sold in lots of	Unit reference
	A			
Protective end cover	-	For unused busbar outlets	5	GV1G10
Terminal block for supply to one or more GV2G busbar sets	63	Connection from the top	1	GV1G09
	63	Can be fitted with current limiter GV1L3 (GV2ME and GV2P)	1	GV2G05
Flexible 3-pole connection for connecting a GV2 to a contactor LC1D09...D25	25	Centre distance between mounting rails: 100...120 mm	10	GV1G02
"Large Spacing" adapter UL 60947-4-1 type E	-	For GV2P●● (except 32 A)	1	GV2GH7
Clip-in marker holders (supplied with each circuit breaker)	-	For GV2P, GV2L, GV2LE and GV2RT (8 x 22 mm)	100	LA9D92

PB 119241.eps



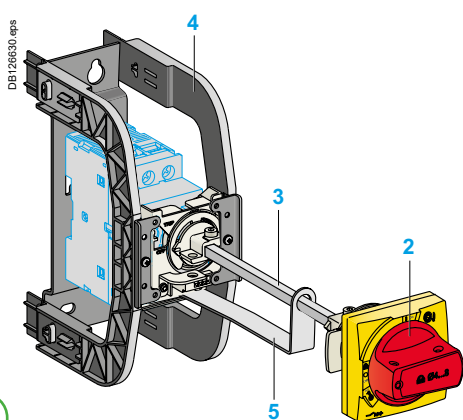
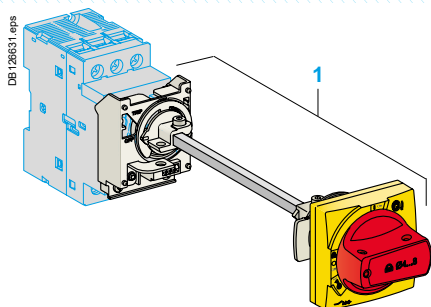
GV1G09

Motor
circuit
breakers

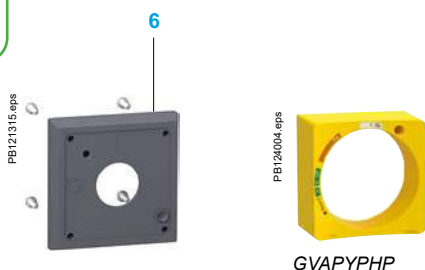


Dimensions:
p. B6/91

Schemes:
p. B6/91



Motor
circuit
breakers



Extended Rotary Handle

Allows a circuit breaker or a starter-controller installed in back of an enclosure to be operated from the front of the enclosure.

A rotary handle can be black or red/yellow, IP54 or IP65. It includes a function for locking the circuit breaker or the starter in the O (Off) for red/yellow handle, in the O (Off) or I (On) for black handle, by means of up to 3 padlocks with a shank diameter of 4 to 8 mm. The extended shaft must be adjusted to use in different size enclosures. The IP54 rotary handle is fixed with a nut (Ø22) to make easier the assembling. The new Laser Square tool brings the accuracy to align the circuit breaker and the rotary handle.

Padlockable external operators for ref. GV2P and GV2L

Description

- 1 Kit handle + mounting system
- 2 Universal handle
- 3 Shaft
- 4 Bracket
- 5 Shaft support plate for deep enclosure
- 6 Retrofit accessory
- 7 Laser Square accessory

Kit handle + mounting system

Description	Item Reference
For GV2P/L	
Black handle, front plate, without trip status, IP 54	1 GV2APK01
Black handle, front plate, with trip status, IP 54	1 GV2APN01
Red handle, front plate, with trip status, IP 54	1 GV2APN02
Black handle, front plate, without trip status, IP 65	1 GV2APN03
Red handle, front plate, without trip status, IP 65	1 GV2APN04
For GV2LE	
Black handle, front plate, without trip status, IP 54	- GV2APN10

Universal handle

For GV2P/L	
Black handle, with trip status, IP54	2 GVAPB54
Red handle, with trip status, IP54	2 GVAPR54
Red handle, without trip status, IP65	2 GVAPR65

External handle protection frame

For GV2P/L	
Yellow frame	1 GVAPYPHP
Black frame	1 GVAPBPHP

Shaft

For GV2P/L	L = 315 mm	3 GVAPA1
------------	------------	-----------------

Bracket

For GV2P/L		4 GVAPH02
------------	--	------------------

Shaft support plate for deep enclosure

For GV2P/L	Depth ≥ 250 mm	5 GVAPK11
------------	----------------	------------------

Retrofit accessory

For GV2P/L		6 GVAPP1
------------	--	-----------------

Laser Square accessory

For GV2P/L		7 GVAPL01
------------	--	------------------

Padlocking device

Description	Reference	
For all GV2 device	For use with up to 4 padlocks, Ø6 mm shank max. (padlocks not included)	GV2V03

TeSys Deca - Frame 3 11 to 45 kW



Motor
circuit
breakers

TeSys Power

Deca - Frame 3 Motor circuit breakers - Magnetic

Product references



Characteristics:
p. B6/102 to B6/104

Curves:
p. B6/106 to B6/108

Dimensions:
p. B6/115 to B6/116

Schemes:
p. B6/117



GV3L25

Motor circuit breakers from 11 to 45 kW / 400 V

Deca - Frame 3 (ref. GV3L): control by rotary handle, connection by EverLink® BTR screw connectors ⁽¹⁾

Standard power ratings of 3-phase motors
50/60 Hz in category AC-3

Standard power ratings of 3-phase motors 50/60 Hz in category AC-3									Rated current I _n	Magnetic tripping current I _i ± 20 %	Use in association with thermal overload relay (class 10 A)	Reference
400/415 V			500 V			690 V						
P	I _{cu}	I _{cs} ⁽²⁾	P	I _{cu}	I _{cs} ⁽²⁾	P	I _{cu}	I _{cs} ⁽²⁾				
kW	kA		kW	kA		kW	kA		A	A		
11	100	100	15	12	50	18.5	6	50	25	350	LRD325	GV3L25
15	100	100	18.5	12	50	22	6	50	32	448	LRD332	GV3L32
18.5	50	100	22	12	50	37	6	50	40	560	LRD340	GV3L40
22	50	100	30	12	50	45	6	50	50	700	LRD350	GV3L50
30	50	100	37	12	50	55	6	50	65	910	LRD365	GV3L65
37	50	60	45	12	50	55	6	50	73	1120	LRD380	GV3L73
45	50	60	45	12	50	55	6	50	80	1120	LRD380	GV3L80 ⁽³⁾

Connection by lugs

To order these circuit breakers with connection by lugs, add the digit **6** to the end of reference selected above.
Example: ref. **GV3L32** becomes **GV3L326**.

⁽¹⁾ BTR screws: hexagon socket head. Requires the use of an insulated Allen key, in compliance with local wiring regulations.

⁽²⁾ As % of I_{cu}. Associated current limiter or fuses, where required.

⁽³⁾ 750 A Lock Rotor Current max.

TeSys Power

Deca - Frame 3 Motor circuit breakers - Thermal-magnetic

Product references



Characteristics:
p. B6/102 to B6/105

Curves:
p. B6/109 to B6/111

Dimensions:
p. B6/115 to B6/116

Schemes:
p. B6/117

PB121660.tif



GV3P80

PB121675.eps



GV3P651

PB121703.eps



GV3P736

Motor circuit breakers up to 45 kW / 400 V

Deca - Frame 3 (ref. GV3P): control by rotary handle, connection by EverLink® BTR screw connectors ⁽⁵⁾

Standard power ratings of 3-phase motors
50/60 Hz in category AC-3

400/415 V			500 V			690 V			Setting range of thermal trips ⁽²⁾	Magnetic tripping current $I_n \pm 20\%$	Reference
P	Icu	Ics ⁽¹⁾	P	Icu	Ics ⁽¹⁾	P	Icu	Ics ⁽¹⁾			
kW	kA	%	kW	kA	%	kW	kA	%	A	A	
5.5	100	100	7.5	12	50	11	6	50	9...13	182	GV3P13
7.5	100	100	9	12	50	15	6	50	12...18	252	GV3P18
11	100	100	15	12	50	18.5	6	50	17...25	350	GV3P25
15	100	100	18.5	12	50	22	6	50	23...32	448	GV3P32
18.5	50	100	22	12	50	37	6	50	30...40	560	GV3P40
22	50	100	30	12	50	45	6	50	37...50	700	GV3P50
30	50	100	45	12	50	55	6	50	48...65	910	GV3P65
37	50	60	45	12	50	55	6	50	62...73	1120	GV3P73
45	50	60	45	12	50	55	6	50	70...80	1120	GV3P80 ⁽³⁾

Connection by EverLink® BTR screw connectors, for assembly with a contactor

To assemble a **GV3P32** to **P73** circuit breaker with an **LC1D40A** to **D73A** contactor, it is possible to use the circuit breaker supplied without downstream EverLink® power terminal block. To order this product, add the digit **1** to the end of the references selected above. Example: ref. **GV3P73** becomes **GV3P731**. Do not use direct mounting between **GV3P80** and **LC1D80A** because of potential overheating, use cable link.

Connection by lugs

To order thermal-magnetic circuit breakers with connection by lugs, add the digit **6** to the end of reference selected above. Example: **GV3P25** becomes **GV3P256**.

Motor circuit breakers up to 40 HP / 460 V, UL 60947-4-1 type E

Deca - Frame 3 - ref. GV3P13 to GV3P65

To obtain a motor-circuit breaker **GV3P**, UL 60947-4-1 type E, use the following with the circuit breaker:

- a "Large Spacing" cover **GV3G66**,
- a short-circuit signalling contact **GVAM11**.

Motor circuit breakers from 7.5 to 50 HP / 460 V

Deca - Frame 3 (ref. GV3P): control by rotary handle, connection by screw clamp terminals

Maximum Horsepower ratings ⁽⁴⁾

Single-Phase		Three-Phase				Setting range of thermal trips (A)	Reference
115 V	230 V	200 V	230 V	460 V	575 V		
1/2	1.5	3	3	7.5	10	9...13	GV3P13
3/4	2	3	5	7.5	10	12...18	GV3P18
1.5	3	5	7.5	15	20	17...25	GV3P25
2	3	7.5	7.5	20	25	23...32	GV3P32
3	5	10	10	25	30	30...40	GV3P40
3	7.5	10	10	30	40	37...50	GV3P50
3	10	15	15	40	50	48...65	GV3P65
5	15	20	25	50	60	62...73	GV3P73

Deca - Frame 3 - ref. GV3P13 to GV3P65 - with connection by lugs

To obtain a motor-circuit breaker ref. **GV3P**, UL 60947-4-1 type E, with connection by lugs, add the digit **6** to the end of reference selected above and use the following with the circuit breaker:

- two IP 20 covers **LAD96570**,
- a short-circuit signalling contact **GVAM11**.

⁽¹⁾ As % of Icu.

⁽²⁾ The thermal trip setting must be within the range marked on the graduated knob.

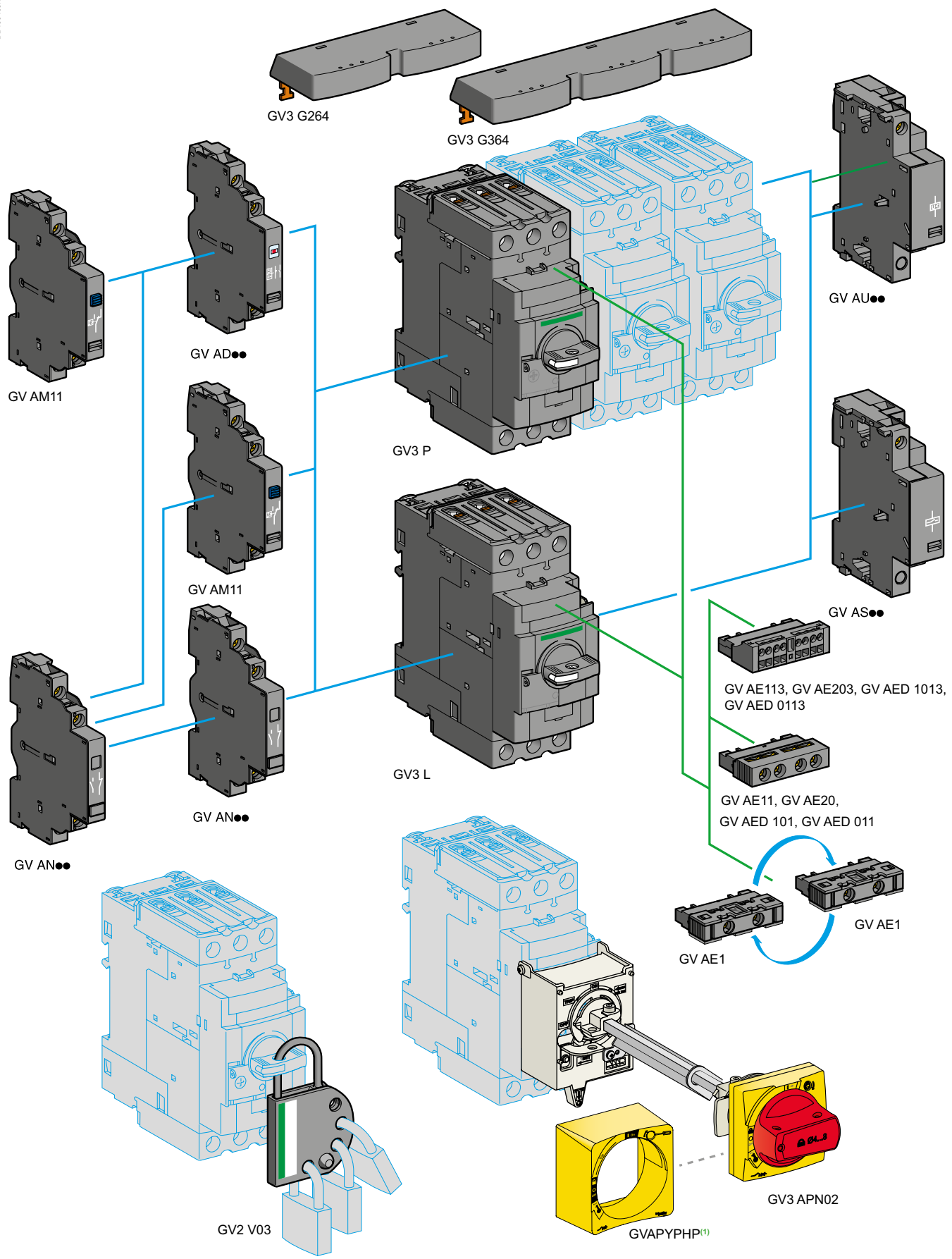
⁽³⁾ For applications with stable full load current with maximum 80 A and Lock Rotor Current maximum 750 A.

⁽⁴⁾ 3P FLA corresponding values: see page A5/142.

⁽⁵⁾ BTR screws: hexagon socket head. Requires the use of an insulated Allen key, in compliance with local wiring regulations.

Motor circuit breakers

Motor circuit breakers



⁽¹⁾ Standard front plate must be removed from the assembly and replaced by Protective front plate (GVAPYPHP).



Characteristics:
p. B6/112 to B6/114

Schemes:
p. B6/117

Contact blocks					
Description	Mounting	Maximum number	Type of contacts	Sold in lots of	Unit reference
Instantaneous auxiliary contacts	Front	1	N/O or N/C ⁽¹⁾	10	GVAE1
			N/O + N/C	10	GVAE11 ⁽²⁾
			N/O + N/O	10	GVAE20 ⁽²⁾
	Side (LH)	2	N/O + N/C	1	GVAN11 ⁽²⁾
			N/O + N/O	1	GVAN20 ⁽²⁾
Fault signalling contact + instantaneous auxiliary contact	Front	1	N/O (fault) + N/O	1	GVAED101 ⁽²⁾
			N/O (fault) + N/C	1	GVAED011 ⁽²⁾
	Side ⁽³⁾ (LH)	1	N/O (fault) + N/O	1	GVAD1010
			N/O (fault) + N/C	1	GVAD1001
			N/C (fault) + N/O	1	GVAD0110
			N/C (fault) + N/C	1	GVAD0101
Short-circuit signalling contact	Side (LH)	1	C/O common point	1	GVAM11

Electric trips - undervoltage or shunt ⁽⁴⁾			
Mounting	Voltage		Reference
Side (1 block on RH side of circuit breaker)	24 V	50 Hz	GVA●025
		60 Hz	GVA●026
	48 V	50 Hz	GVA●055
		60 Hz	GVA●056
	100	50 Hz	GVA●107
	100...110 V	60 Hz	GVA●107
	110...115 V	50 Hz	GVA●115
		60 Hz	GVA●116
	120...127 V	50 Hz	GVA●125
	127 V	60 Hz	GVA●115
	200 V	50 Hz	GVA●207
	200...220 V	60 Hz	GVA●207
	220...240 V	50 Hz	GVA●225
		60 Hz	GVA●226
	380...400 V	50 Hz	GVA●385
		60 Hz	GVA●386
	415...440 V	50 Hz	GVA●415
	415 V	60 Hz	GVA●416
	440 V	60 Hz	GVA●385
	480 V	60 Hz	GVA●415
500 V	50 Hz	GVA●505	
600 V	60 Hz	GVA●505	

Accessories			
Description			Reference
Set of 3-pole busbars I _e = 115 A Pitch: 64 mm	2 tap-off	GV3P●● and GV3L●●	GV3G264
	3 tap-off	GV3P●● and GV3L●●	GV3G364
Cover "Large Spacing" UL 60947-4-1 type E (Only one cover required on supply side)		GV3P●●	GV3G66

- (1) Choice of N/C or N/O contact operation, depending on which way round the reversible block is mounted.
 (2) Contact blocks available in version with spring terminal connections. Add a figure 3 at the end of the references selected above.
 Example: GVAED101 becomes GVAED1013.
 (3) The GVAD●● is always mounted next to the circuit breaker.
 (4) To order an undervoltage trip: replace the dot (●) in the reference with a U, example: GVAU025.
 To order a shunt trip: replace the dot (●) in the reference with an S, example: GVAS025.

PF10356 eps



GV3G66

PB121324 eps



LV426992



LV426990

Limited torque throwaway bits

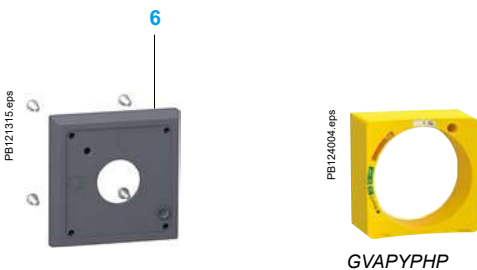
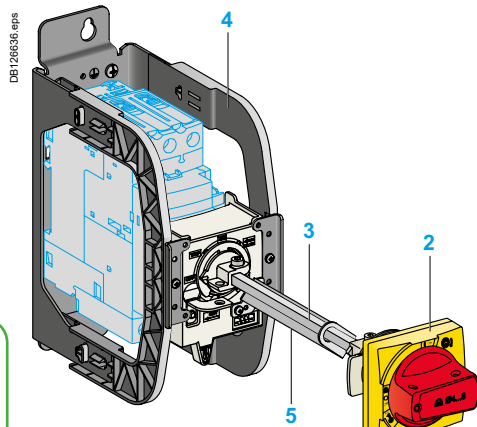
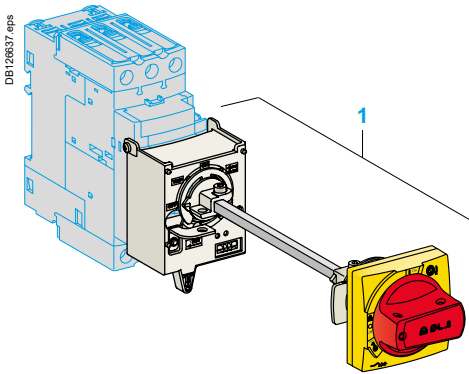
Torque limiting breakaway bits			
Description		Sold in lots of	Reference
5 N.m Yellow		6	LV426992
9 N.m Green		6	LV426990

Motor circuit breakers



Dimensions:
p. B6/116

Schemes:
p. B6/117



Motor
circuit
breakers

Extended Rotary Handle

Allows a circuit breaker or a starter-controller installed in back of an enclosure to be operated from the front of the enclosure.

A rotary handle can be black or red/yellow, IP54 or IP65. It includes a function for locking the circuit breaker or the starter in the O (Off) or I (On) position (depending of the type of rotary handle) by means of up to 3 padlocks with a shank diameter of 4 to 8 mm. The extended shaft must be adjusted to use in different size enclosures. The IP54 rotary handle is fixed with a nut ($\varnothing 22$) to make easier the assembling. The new Laser Square tool brings the accuracy to align the circuit breaker and the rotary handle.

Padlockable external operators for Deca - Frame 3

Description

- 1 Kit handle + mounting system
- 2 Universal handle
- 3 Shaft
- 4 Bracket
- 5 Shaft support plate for deep enclosure
- 6 Retrofit accessory
- 7 Laser Square accessory

Kit handle + mounting system

Description	Item	Reference
For GV3P/L	Black handle, front plate, without trip status, IP 54	1 GV3APK01
	Black handle, front plate, with trip status, IP 54	1 GV3APN01
	Red handle, front plate, with trip status, IP 54	1 GV3APN02
	Black handle, front plate, without trip status, IP65	1 GV3APN03
	Red handle, front plate, without trip status, IP 65	1 GV3APN04

Universal handle

For GV3P/L	Black handle, with trip status, IP54	2 GVAPB54
	Red handle, with trip status, IP54	2 GVAPR54
	Red handle, without trip status IP65	2 GVAPR65

External handle protection frame

For GV3P/L	Yellow frame	1 GVAPYPHP
	Black frame	1 GVAPBPHP

Shaft

For GV3P/L	L = 315 mm	3 GVAPA1
------------	------------	----------

Shaft support plate for deep enclosure

For GV3P/L	Depth ≥ 300 mm	5 GVAPK12
------------	---------------------	-----------

Retrofit accessory

For GV3P/L		6 GVAPP1
------------	--	----------

Laser Square accessory

For GV3P/L		7 GVAPL01
------------	--	-----------

TeSys Deca - Frame 4

0.25 to 55 kW - 1/2 to 60 HP



Motor
circuit
breakers

TeSys Power

Deca - Frame 4 Motor circuit breakers

Introduction

Protection

TeSys Deca - Frame 4 motor circuit breakers covers motor protection from 0.25 to 55 kW at 415 V AC (from 0.8 to 115 A) in one frame and are available in 3 breaking capacities: 25, 50 and 100 kA at 415 V AC IEC (15, 35, 65 kA at 480 V UL).

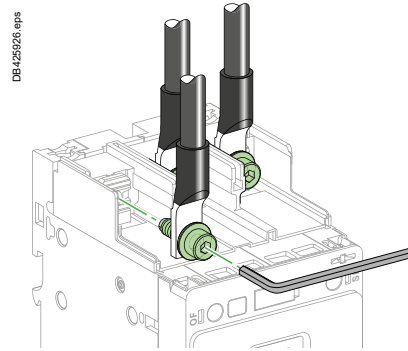
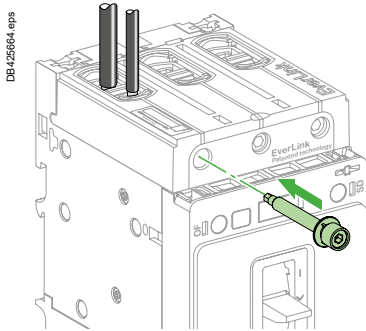
TeSys Deca - Frame 4 motor circuit breakers are available with 3 types of protection:

- Magnetic ref. GV4L: to be used with an overload relay or a drive
- Thermal-magnetic ref. GV4P: electronic protection with wide range setting, dual class (10 & 20)
- Multifunction motor protection ref. GV4PEM: ref. GV4P with adjustable advanced protections and possibility to have a side module SDx for alarming and motor functional fault differentiation.

Power connection

TeSys Deca - Frame 4 motor circuit breaker come in standard with 2-holes EverLink™ power connectors with creep ⁽¹⁾ compensation for bare copper cables. This Schneider Electric patented technique makes it possible to achieve accurate and durable tightening torque in order to avoid cable creep.

Products may be delivered with connectors for bars or cables with compression lugs (except for the ref. GV4PB). Whatever, the connectors are field interchangeable and can be removed for the installation of one of both. And to tight at the right torque power connections particularly in the field, torque limiting breakaway bits may be used.



Mounting

TeSys Deca - Frame 4 motor circuit breaker can be mounted on a backplate or on a DIN rail (35 or 75 mm).

Handle

TeSys Deca - Frame 4 motor circuit breaker can be ordered with a toggle or a direct rotary handle (except for ref. GV4P Multifunction).

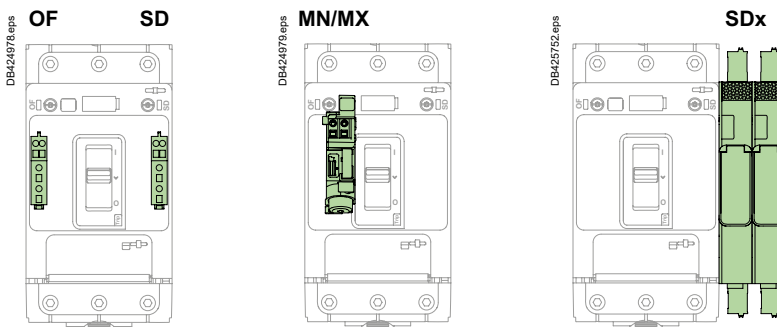
It is also possible to equip a toggle one with a direct rotary handle, or a front extended one, or a side one.

Auxiliaries

TeSys Deca - Frame 4 circuit breakers can be equipped with an open/close (OF) contact and a trip indication (SD) contact. These contacts are common point changeover type, with a normally open (NO) and a normally closed (NC) contact. TeSys Deca - Frame 4 motor circuit breaker may be equipped too with an MN (undervoltage release) or MX (shunt trip) coil.

Ref. GV4P Multifunction circuit breakers can be equipped with 1 or 2 SDx module(s) in order to have alarming and motor functional fault differentiation (SDx - See page B6/44)

Auxiliaries have spring connections for cables up to 1.5 mm².



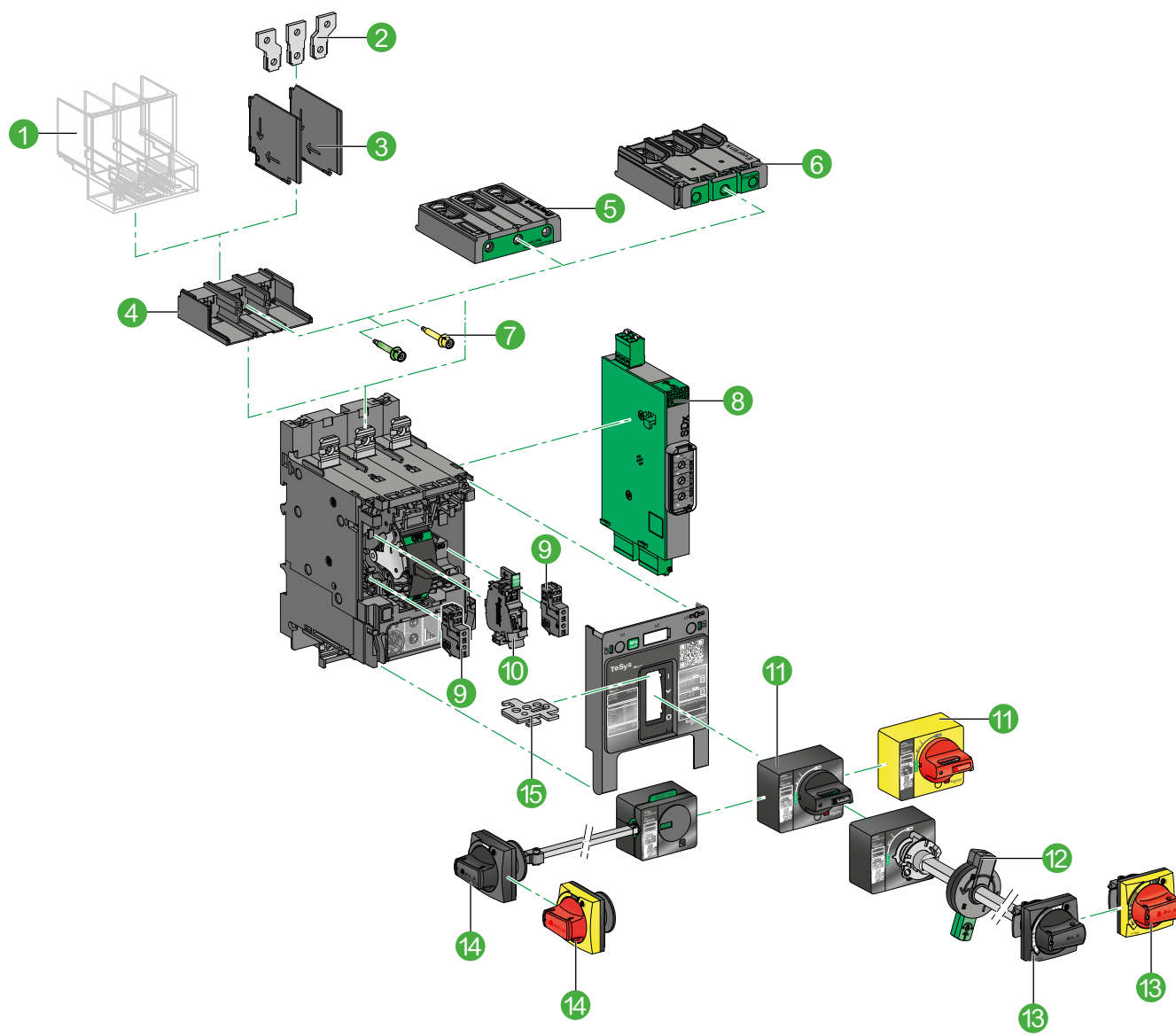
(1) Creep: normal crushing phenomenon of conductors, that is accentuated over time.

TeSys Power

Deca - Frame 4 Motor circuit breakers

Introduction

DB432920.ai



- ① Long terminal shield **LAD96590**
- ② Terminal spreaders **LV426940**
- ③ Interphase barriers **LV426920**
- ④ Crimp lug connector **GV4LUG**
- ⑤ EverLink® connector **LAD96595**
- ⑥ Everlink® terminals and large spacing cover **GV4G66 + LAD96595**
- ⑦ Torque limiting breakaway bits **LV42699●**
- ⑧ SDx alarming/fault differentiation module **GV4ADM1111** (only with GV4PEM)
- ⑨ Auxiliary contact block for OF or SD function **GV4AE11**
- ⑩ - MN undervoltage release **GV4AU●●**
- MX shunt trip **GV4AS●●**
- ⑪ Direct mounting black or red on yellow bezel rotary handle **GV4ADN01/ GV4ADN02**
- ⑫ Open door shaft operator (for front extended rotary handle) **LV426937**
- ⑬ Front extended rotary handle kit with red handle on yellow bezel or black handle **GV4APN01/ GV4APN02 /GV4APN04**
- ⑭ Side rotary handle kit with red handle on yellow bezel or black handle **LV426935/LV426936**.
- ⑮ Toggle locking device **29370**

TeSys Power

Deca - Frame 4 Motor circuit breakers - Magnetic

Introduction



References:
p. B6/35

Characteristics:
p. B6/120 to B6/122

Curves:
p. B6/124 to B6/128

Dimensions:
p. B6/134 to B6/135

Schemes:
p. B6/137



GV4L

Standard version

Protection

Setting is made using dial.

Trip class (class)

Ref. GV4L can be used with class 5, 10 or 20 relay.

Short circuit protection (Ii)

Protection with an adjustable pick-up $I_i = 6$ to $14 I_n$. Settings are made in amperes.

Standards and certifications

IEC/EN 60947-1, IEC/EN 60947-2, CCC, EAC.



GV4LE

Motor
circuit
breakers

TeSys Power

Deca - Frame 4 Motor circuit breakers - Magnetic

Product references



Characteristics:
p. B6/120 to B6/122

Curves:
p. B6/124 to B6/128

Dimensions:
p. B6/134 to B6/135

Schemes:
p. B6/137

Magnetic motor circuit breakers from 0.25 to 55 kW													
Standard power ratings of 3-phase motors - 50 / 60 Hz									In A	Magnetic setting range (li) A	Use in association with overload relay Class 10 or 20	Reference with EverLink terminals	
400/415 V			500 V			690 V						with toggle	with rotary handle
P kW	Icu kA	Ics ⁽¹⁾ %	P kW	Icu kA	Ics ⁽¹⁾ %	P kW	Icu kA	Ics ⁽¹⁾ %					
0.25... 0.75	25	100	0.37... 1.1	10	100	0.55... 1.5	-	-	2	12... 28	LRD05 (0.63... 1A) LRD06 (1... 1.6A) LRD07 (1.6... 2.5A)	-	-
	50	100		25	100		8	25				GV4LE02N	GV4L02N
	100	100		30	100		10	25				GV4LE02S	-
0.55... 1.5	25	100	0.75... 1.5	10	100	1.1... 2.2	-	-	3,5	21... 49	LRD07 (1.6... 2.5A) LRD08 (2.5... 4A)	-	-
	50	100		25	100		8	25				GV4LE03N	GV4L03N
	100	100		30	100		10	25				GV4LE03S	-
1.5... 3	25	100	2.2... 4	10	100	3... 7.5	-	-	7	42... 98	LRD08 (2.5... 4A) LRD10 (4... 6A)	-	-
	50	100		25	100		8	25				GV4LE07N	GV4L07N
	100	100		30	100		10	25				GV4LE07S	-
3... 5.5	25	100	3... 7.5	10	100	5.5... 11	-	-	12,5	75... 175	LRD12 (5.5... 8A) LRD14 (7... 10A) LRD313 (9... 13A)	-	-
	50	100		25	100		8	25				GV4LE12N	GV4L12N
	100	100		30	100		10	25				GV4LE12S	-
5.5... 11	25	100	7.5... 15	10	100	7.5... 18.5	-	-	25	150... 350	LRD318 (12... 18A) LRD325 (17... 25A)	GV4LE25B	GV4L25B
	50	100		25	100		8	25				GV4LE25N	GV4L25N
	100	100		30	100		10	25				GV4LE25S	-
11... 22	25	100	15... 30	10	100	18.5... 45	-	-	50	300... 700	LRD332 (23... 32A) LRD340 (30... 40A) LRD350 (37... 50A)	GV4LE50B	GV4L50B
	50	100		25	100		8	25				GV4LE50N	GV4L50N
	100	100		30	100		10	25				GV4LE50S	-
18.5... 37	25	100	22... 55	10	100	30... 55	-	-	80	480... 1120	LRD365 (48... 65A) LRD3363 (63... 80A)	GV4LE80B	GV4L80B
	50	100		25	100		8	25				GV4LE80N	GV4L80N
	100	100		30	100		10	25				GV4LE80S	GV4L80S
30... 55	25	100	30... 75	10	100	45... 90	-	-	115	690... 1610	LR9D5567 (60... 100A) LR9F5367 (60... 100A) LR9D5369 (90... 150A) LR9F5369 (90... 150A)	GV4LE115B	GV4L115B
	50	100		25	100		8	25				GV4LE115N	GV4L115N
	100	100		30	100		10	25				GV4LE115S	GV4L115S

Motor
circuit
breakers

Connection by lugs

To order circuit breakers with connection by lugs, add the digit **6** to the end of reference selected above. Example: ref. **GV4LE02N** becomes **GV4LE02N6**.

⁽¹⁾ As % of Icu.

TeSys Power

Deca - Frame 4 Motor circuit breakers - Thermal-magnetic

Introduction



References:
p. B6/37

Characteristics:
p. B6/120 to B6/123

Curves:
p. B6/129 to B6/131

Dimensions:
p. B6/134 to B6/135

Schemes:
p. B6/137



GV4P



GV4PE

Motor
circuit
breakers

Standard version

Protection

Settings are made using dials.

Overload or thermal protection (Ir)

Inverse-time thermal protection against overloads with adjustable pick-up I_r .

Wide range setting made in amperes.

The tripping curve for the thermal protection, which indicates the time delay t_r before tripping, is defined by the selected trip class.

Trip class (class)

The class is selected as a function of the normal motor starting time.

■ Class 10: starting time less than 10 s.

■ Class 20: starting time less than 20 s.

For a given class, it is necessary to check that all motor-feeder components are sized to carry the $7.2 I_r$ starting current without excessive temperature rise during the time corresponding to the class.

Short time delay protection (Isd)

Short time delay protection (around 100 ms) to let through motor starting currents, but to protect cables and motor starter devices and allow not to oversize them (particularly useful for wide range settings circuit breakers).

Fixed pick-up $I_{sd} = 13 I_r$.

Short-circuit protection (Ii)

Instantaneous protection with non-adjustable pick-up $I_i = 17 I_n$.

Phase unbalance or phase loss (Iunbal, tunbal)

This function opens the circuit breaker if a phase unbalance occurs:

■ that is greater than the 30 % of I_{rms} (fixed pick-up): **Iunbal**

■ following the non-adjustable time delay (**tunbal**) equal to:

□ 0.7 s during starting

□ 4 s during normal operation.

Phase loss is an extreme case of phase unbalance and leads to tripping under the same conditions.

Ground-fault protection (I_g, t_g)

Residual type ground-fault protection:

■ fixed pick-up $I_g = I_n$

■ fixed time delay $t_g = 0.1$ s.

Indications

Front indications

■ Green "Ready" LED: flashes slowly when the circuit breaker is ready to trip in the event of an abnormal deviation in engine operating conditions.

■ Red alarm LED: goes ON when the thermal image of the motor is greater than 95 % of the permissible temperature rise.

Standards and certifications

IEC/EN 60947-1, IEC/EN 60947-2, IEC/EN 60947-4-1, UL 60497-4-1, CSA 22.2 n° 60497-4-1, CCC, EAC, CSA (cCSAus).



Characteristics:
p. B6/120 to B6/123

Curves:
p. B6/129 to B6/131

Dimensions:
p. B6/134 to B6/135

Schemes:
p. B6/137

Thermal-magnetic motor circuit breakers from 0.25 to 55 kW												
Standard power ratings of 3-phase motors - 50 / 60 Hz in category AC-3										Thermal setting range (I _r)	Reference with EverLink terminals	
400/415 V			500 V			690 V			A		with toggle	with rotary handle
P kW	I _{cu} kA	I _{cs} (%) ⁽¹⁾	P kW	I _{cu} kA	I _{cs} (%) ⁽¹⁾	P kW	I _{cu} kA	I _{cs} (%) ⁽¹⁾				
0.25... 0.75	25	100	0.37... 1.1	10	100	0.55... 1.5	-	-	0.8... 2	-	-	
	50	100		25	100		8	25		GV4PE02N	GV4P02N	
	100	100		30	100		10	25		GV4PE02S	-	
0.55... 1.5	25	100	0.75... 1.5	10	100	1.1... 2.2	-	-	1.4... 3.5	-	-	
	50	100		25	100		8	25		GV4PE03N	GV4P03N	
	100	100		30	100		10	25		GV4PE03S	-	
1.5... 3	25	100	2.2... 4	10	100	3... 7.5	-	-	2.9... 7	-	-	
	50	100		25	100		8	25		GV4PE07N	GV4P07N	
	100	100		30	100		10	25		GV4PE07S	-	
3... 5.5	25	100	3... 7.5	10	100	5.5... 11	-	-	5... 12.5	-	-	
	50	100		25	100		8	25		GV4PE12N	GV4P12N	
	100	100		30	100		10	25		GV4PE12S	-	
5.5... 11	25	100	7.5... 15	10	100	7.5... 18.5	-	-	10... 25	GV4PE25B	GV4P25B	
	50	100		25	100		8	25		GV4PE25N	GV4P25N	
	100	100		30	100		10	25		GV4PE25S	-	
11... 22	25	100	15... 30	10	100	18.5... 45	-	-	20... 50	GV4PE50B	GV4P50B	
	50	100		25	100		8	25		GV4PE50N	GV4P50N	
	100	100		30	100		10	25		GV4PE50S	-	
22... 37	25	100	30... 55	10	100	37... 55	-	-	40... 80	GV4PE80B	GV4P80B	
	50	100		25	100		8	25		GV4PE80N	GV4P80N	
	100	100		30	100		10	25		GV4PE80S	GV4P80S	
37... 55	25	100	45... 75	10	100	75... 90	-	-	65... 115	GV4PE115B	GV4P115B	
	50	100		25	100		8	25		GV4PE115N	GV4P115N	
	100	100		30	100		10	25		GV4PE115S	GV4P115S	

Thermal-magnetic motor circuit breakers from 3/4 to 75 HP / 480 V														
Single-Phase 120 V				3-Phase 208 V								Rating	Reference with EverLink terminals	
Power HP	FLA A	Power Hp	FLA A	Power Hp	FLA A	Power Hp	FLA A	Power Hp	FLA A	Power Hp	FLA A		A	with toggle
-	-	1/10	1.5	-	-	-	-	3/4	1.6	1	1.7	2	-	-
													GV4PE02N	GV4P02N
													GV4PE02S	-
1/10	3	1/4	2.9	1/2	2.4	3/4	3.2	2	3.4	2	2.7	3.5	-	-
													GV4PE03N	GV4P03N
													GV4PE03S	-
1/4	5.8	3/4	6.9	1-1/2	6.6	2	6.8	3	4.8	5	6.1	7	-	-
													GV4PE07N	GV4P07N
													GV4PE07S	-
1/2	9.8	1-1/2	10	3	10.6	3	9.6	7-1/2	11	10	11	12.5	-	-
													GV4PE12N	GV4P12N
													GV4PE12S	-
1-1/2	20	3	17	5	16.7	7-1/2	22	15	21	20	22	25	GV4PE25B	GV4P25B
													GV4PE25N	GV4P25N
													GV4PE25S	-
3	34	7-1/2	40	10	30.8	15	42	30	40	40	41	50	GV4PE50B	GV4P50B
													GV4PE50N	GV4P50N
													GV4PE50S	-
7-1/2	80	15	68	25	74.8	30	80	60	77	75	77	80	GV4PE80B	GV4P80B
													GV4PE80N	GV4P80N
													GV4PE80S	GV4P80S
10	100	20	88	30	88	40	104	75	96	100	99	115	GV4PE115B	GV4P115B
													GV4PE115N	GV4P115N
													GV4PE115S	GV4P115S

Connection by lugs
To order circuit breakers with connection by lugs, add the digit **6** to the end of reference selected above. Example: GV4PE02N becomes GV4PE02N6.

⁽¹⁾ As % of I_{cu}.

Motor circuit breakers



GV4PEM

PB114917.eps

Motor
circuit
breakers

Advanced version

Basic protection

Settings are made using dials.

Overloads or thermal protection (I_r)

Inverse-time thermal protection against overloads with adjustable pick-up I_r.

Wide range setting made in amperes.

The tripping curve for the thermal protection, which indicates the time delay t_r before tripping, is defined by the selected trip class.

Trip class (class)

The class is selected as a function of the normal motor starting time.

■ Class 10: starting time less than 10 s.

■ Class 20: starting time less than 20 s.

For a given class, it is necessary to check that all motor-feeder components are sized to carry the 7.2 I_r starting current without excessive temperature rise during the time corresponding to the class.

Short-circuit protection (I_i)

Instantaneous protection with non-adjustable pick-up I_i = 17 I_n.

Advanced protection

Settings are made with an Android smartphone with dedicated application and using wireless NFC (Near Field Communication), or a computer with EcoStruxure Power Commission software and the configuration/maintenance tool kit ("Maintenance case" TRV00910).

The LV434206 pocket battery allows the GV4PEM controller to be powered for adjustments and tests when no internal source is available.

Short time delay protection (I_{sd})

Short time delay protection (around 100 ms) to let through motor starting currents, but to protect cables and motor starter devices and allow not to oversize them (particularly useful for wide range settings circuit breakers).

Adjustable pick-up I_{sd} = 5...13 I_r (13 by default).

Phase unbalance or phase loss (I_{unbal}, t_{unbal})

This function opens the circuit breaker if a phase unbalance occurs:

■ that is greater than the 10...40 % of I_{rms} (40% by default): I_{unbal}

■ following a time delay (t_{unbal}) equal to:

□ 0.7 s during starting (non adjustable)

□ 1...10 s during normal operation (4 s by default).

Phase loss is an extreme case of phase unbalance and leads to tripping under the same conditions.

Ground-fault protection (I_g, t_g)

Residual type ground-fault protection, with OFF position:

■ adjustable pick-up I_g:

□ 0.7...1 I_n for products with nominal current from 2 to 50 A

□ 0.4...1 I_n for products with nominal current from 80 to 115 A

■ adjustable time delay t_g 0.1...0.4 s.

Jam (I_{jam}, t_{jam})

This function detects locking of the motor shaft caused by the load, with OFF position (OFF by default). During motor starting the function is disabled.

During normal operation, it causes tripping:

■ above the I_{jam} pick-up that can be fine-adjusted from 1.5 to 8 I_r

■ in conjunction with the t_{jam} time delay that can be adjusted from 1 to 30 s.

Long start (I_{long}, t_{long})

This protection supplements thermal protection (class). It is used to optimize the protection according to the starting parameters, with OFF position (OFF by default).

It detects abnormal motor starting i.e. when the starting current remains too high or too low with respect to a pick-up value and a time delay.

It causes tripping:

■ in relation with a I_{long} pick-up that can be fine-adjusted from 1.5 to 8 I_r

■ in conjunction with the t_{long} time delay that can be adjusted from 1 to 200 s.

Indications

Front indications

■ Green "Ready" LED: flashes slowly when the circuit breaker is ready to trip in the event of an abnormal deviation in engine operating conditions.

■ Red alarm LED: goes ON when the thermal image of the motor is greater than 95 % of the permissible temperature rise.

Remote indications via SDx module

See description on page B6/44.

Standards and certifications

IEC/EN 60947-1, IEC/EN 60947-2, IEC/EN 60947-4-1, UL 60497-4-1, CSA 22.2 n° 60497-4-1, CCC, EAC, CSA (cCSAus).



Characteristics:
p. B6/120 to B6/123

Curves:
p. B6/129 to B6/131

Dimensions:
p. B6/134 to B6/135

Schemes:
p. B6/137

Advanced thermal-magnetic motor circuit breakers from 0.25 to 55 kW

Standard power ratings of 3-phase motors - 50 / 60 Hz in category AC-3									Thermal setting range (I _r)	"Reference with EverLink terminals" with toggle
400/415 V			500 V			690 V				
P kW	I _{cu} kA	I _{cs} ⁽¹⁾ %	P kW	I _{cu} kA	I _{cs} ⁽¹⁾ %	P kW	I _{cu} kA	I _{cs} ⁽¹⁾ %	A	
0.25... 0.75	25	100	0.37... 1.1	10	100	0.55... 1.5	-	-	0.8... 2	-
	50	100		25	100		8	25		GV4PEM02N
	100	100		30	100		10	25		GV4PEM02S
0.55... 1.5	25	100	0.75... 1.5	10	100	1.1... 2.2	-	-	1.4... 3.5	-
	50	100		25	100		8	25		GV4PEM03N
	100	100		30	100		10	25		GV4PEM03S
1.5... 3	25	100	2.2... 4	10	100	3... 7.5	-	-	2.9... 7	-
	50	100		25	100		8	25		GV4PEM07N
	100	100		30	100		10	25		GV4PEM07S
3... 5.5	25	100	3... 7.5	10	100	5.5... 11	-	-	5... 12.5	-
	50	100		25	100		8	25		GV4PEM12N
	100	100		30	100		10	25		GV4PEM12S
5.5... 11	25	100	7.5... 15	10	100	7.5... 18.5	-	-	10... 25	-
	50	100		25	100		8	25		GV4PEM25B
	100	100		30	100		10	25		GV4PEM25S
11... 22	25	100	15... 30	10	100	18.5... 45	-	-	20... 50	-
	50	100		25	100		8	25		GV4PEM50B
	100	100		30	100		10	25		GV4PEM50S
22... 37	25	100	30... 55	10	100	37... 55	-	-	40... 80	-
	50	100		25	100		8	25		GV4PEM80B
	100	100		30	100		10	25		GV4PEM80S
37... 55	25	100	45... 75	10	100	75... 90	-	-	65... 115	-
	50	100		25	100		8	25		GV4PEM115B
	100	100		30	100		10	25		GV4PEM115S

Motor circuit breakers

Connection by lugs

To order circuit breakers with connection by lugs, add the digit **6** to the end of reference selected above. Example: **GV4PE02N** becomes **GV4PE02N6**.

⁽¹⁾ As % of I_{cu}.



GV4PB

Advanced version

Ref. GV4PB is based on GV4PEM with specific tripping curve to follow UL489 SH supplement. It is designed with a large space connector in order to increase creepage and clearance distance.

Basic protection

Settings are made using dials.

Overloads or thermal protection (Ir)

Inverse-time thermal protection against overloads with adjustable pick-up Ir. Wide range setting made in amperes.

The tripping curve for the thermal protection, which indicates the time delay tr before tripping, is defined by the selected trip class.

Trip class (class)

The class is selected as a function of the normal motor starting time. It corresponds to the value of the tripping time delay for a current of 600 % of the rated tripping current according to UL489, SH supplement.

The rated tripping current is selected as 125 % of the dial value.

■ Class 10: starting time less than 10 s.

■ Class 20: starting time less than 20 s.

For a given class, it is necessary to check that all motor-feeder components are sized to withstand the 7.5 Ir starting current without excessive temperature rise during the time corresponding to the class.

Short-circuit protection (Ii)

Instantaneous protection with non-adjustable pick-up Ii=17 In.

Advanced protection (same as ref. GV4PEM)

Settings are made with:

■ Android smartphone using wireless NFC (Near Field Communication), or EcoStruxure Power Device App. computer + EcoStruxure Power Commission software and configuration/maintenance tool kit TRV00910

■ LV434206 pocket battery, allows the GV4PB controller to be powered for adjustment and test. LV434206 pocket battery needs to be connected to the GV4PB controller to set the advanced protection.

Short time delay protection (I_{sd})

Short time delay protection (around 100 ms) to let through motor starting currents, but to protect cables and motor starter devices and allow not to oversize them (particularly useful for wide range settings circuit breakers).

Adjustable pick-up I_{sd} = 5...13 Ir (13 by default).

Phase unbalance or phase loss (I_{unbal}, I_{tunbal})

This function opens the circuit breaker if a phase unbalance occurs:

■ that is greater than the 10...40 % of Irms (40 % by default): I_{unbal}

■ following a time delay (I_{tunbal}) equal to:

□ 0.7 s during starting (non adjustable)

□ 1...10 s during normal operation (4 s by default).

Phase loss is an extreme case of phase unbalance and leads to tripping under the same conditions.

Ground-fault protection (I_g, t_g)

Residual type ground-fault protection, with OFF position:

■ adjustable pick-up I_g:

□ 0.7...1 In for products with nominal current from 2 to 50 A

□ 0.4...1 In for products with nominal current from 80 to 115 A

■ adjustable time delay t_g 0.1...0.4 s.

Jam (I_{jam}, t_{jam})

This function detects locking of the motor shaft caused by the load, with OFF position (OFF by default). During motor starting the function is disabled.

During normal operation, it causes tripping:

■ above the I_{jam} pick-up that can be fine-adjusted from 1.5 to 8 Ir

■ in conjunction with the t_{jam} time delay that can be adjusted from 1 to 30 s.

Long start (I_{long}, t_{long})

This protection supplements thermal protection (class). It is used to optimize the protection according to the starting parameters, with OFF position (OFF by default). It detects abnormal motor starting i.e. when the starting current remains too high or too low with respect to a pick-up value and a time delay.

It causes tripping:

■ in relation with a I_{long} pick-up that can be fine-adjusted from 1.5 to 8 Ir

■ in conjunction with the t_{long} time delay that can be adjusted from 1 to 200 s.

Indications

Front indications

■ Green "Ready" LED: flashes slowly when the circuit breaker is ready to trip in the event of an abnormal deviation in engine operating conditions.

■ Red alarm LED: goes ON when the thermal image of the motor is greater than 95 % of the permissible temperature rise

Remote indications via SDx module

See description on page B6/44.

Conforming to standards:

IEC/EN 60947-2, IEC/EN 60947-4-1

Product certifications:

UL 489, CSA C22.2 n°5.



Characteristics:
p. B6/120 to B6/123

Curves:
p. B6/129 to B6/131

Dimensions:
p. B6/134 to B6/135

Schemes:
p. B6/137

GV4PB - selection according to Short Circuit Current Rating (SCCR)

240 V AC SCCR kA	480Y/277 V AC SCCR kA	600Y/347 V AC SCCR kA	Reference
35	18	14	GV4PB●●●B ⁽¹⁾
65	35	18	GV4PB●●●N
100	65	25	GV4PB●●●S

(1) Example: GV4PB07S, GV4PB115S.

GV4PB thermal-magnetic motor circuit breakers - selection according to FLA

3P 200 V FLA A	3P 230 V FLA A	3P 460 V FLA A	Rated %	Dial range A	Reference		
-	-	1.6	100	0.8 to 2		GV4PB02N	GV4PB02S
2.5	2.2	3	100	1.4 to 3.5		GV4PB03N	GV4PB03S
4.8	4.2	4.8	100	2.9 to 7		GV4PB07N	GV4PB07S
7.8	9.6	7.6	100	5 to 12.5		GV4PB12N	GV4PB12S
17.5	22	21	100	10 to 25	GV4PB25B	GV4PB25N	GV4PB25S
48	42	40	100	20 to 50	GV4PB50B	GV4PB50N	GV4PB50S
62	54	52	80	40 to 80	GV4PB80B	GV4PB80N	GV4PB80S
92	80	77	80	65 to 115	GV4PB115B	GV4PB115N	GV4PB115S

Motor
circuit
breakers

Connection by lugs

Please order GV4LUG accessory and LV426920 interphase barriers or LAD96590 terminal shield.

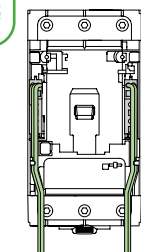
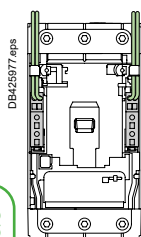
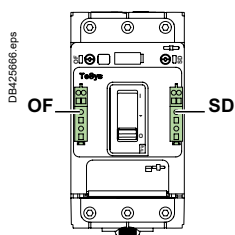
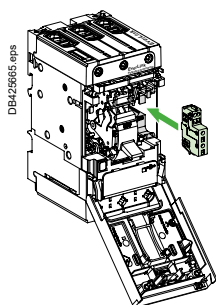


Characteristics:
p. B6/133

Schemes:
p. B6/137

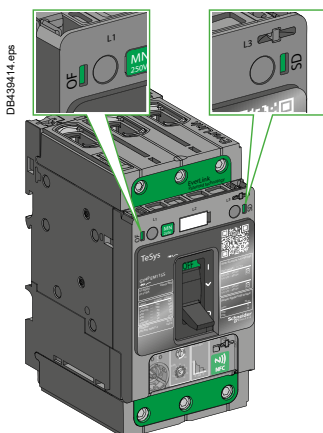


GV4AE11 auxiliary contact block



Motor
circuit
breakers

Pluggable auxiliary contact - OF or SD is dependent on cavity. Multiple internal wiring possibilities, even with long terminal shields



Visible presence of auxiliary contact block in OF or SD cavity

Auxiliary contact blocks

Auxiliary contacts give an indication of the circuit breaker status. They can be used for remote visual signaling, alarming, electrical locking, relay activation, etc...

An auxiliary contact block provides one changeover contact with common point for OF or SD function, depending on the breaker cavity where it is inserted.

Auxiliary contact - Open/Close OF function

Indicates Open/Closed position of the circuit breaker contacts.

Auxiliary contact - Trip alarm SD function

■ Indicates that the circuit breaker has tripped due to:

- Electrical fault (overload, short circuit, ...)
- shunt trip
- undervoltage release
- "push-to-trip" button.

■ Resets when circuit breaker is reset.

Electrical characteristic

Characteristics						
Rated thermal current (A)	5					
Minimum load	2 mA at 17 V DC					
	Utilization cat. (IEC 60947-5-1)	AC12	AC15	DC12	DC13	DC14
Operational current (A)	24 V AC/DC	5	5	5	2.5	1
	48 V AC/DC	5	5	2.5	1.2	0.2
	110...127 V AC / 110 V DC	5	4	0.6	0.35	0.05
	220/240 V AC	5	3	-	-	-
	250 V DC	-	-	0.3	0.05	0.03
	380/440 V AC	5	2.5	-	-	-
660/690 V AC	5	0.11	-	-	-	

Pilot duty B600 according UL508 and CSA 22.2 n°14.

Installation and connection

■ Auxiliary contact blocks snap into left (for OF function) and right (for SD function) cavities behind the front accessory cover of the circuit breaker and their presence is visible on the front face through green flags.

■ One model serves for all indication functions depending on where it is fitted in the circuit breaker.

■ Each NO and NC spring terminal may be connected by one 0.5...1.5 mm² flexible copper wire and by two for the common point.

■ Wires can be exited out of any of the four corners of the breaker under the accessory cover.

Description	Maximum number	Mounting	Type of contacts	Sold in lots of	Reference
Auxiliary contact block for OF or SD indication	2 (1 OF + 1 SD)	Internal plug-in	NO + NC	1	GV4AE11

TeSys Power

Deca - Frame 4 Motor circuit breakers - MX and MN trips

Product references



Characteristics:
p. B6/132

Schemes:
p. B6/137

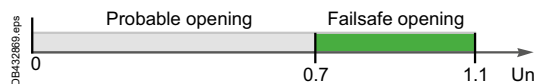
MX shunt trip, MN undervoltage release

MX and MN trip the circuit breaker on a control signal. They are mainly used for remote and emergency-off commands.

It is advised to test the system every six months.

MX shunt trip

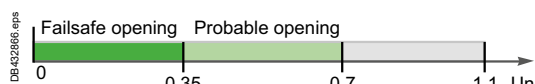
- Trips the circuit breaker when the control voltage rises above 70 % of its rated voltage (U_n).
- Impulse type ≥ 20 ms or maintained control signals.
- Shunt trip 110...130 V AC is suitable for ground-fault protection when combined with a Class I ground-fault sensing element.
- Continuous duty rated coil ⁽¹⁾.



Opening conditions of the MX release.

MN undervoltage release

- Trips the circuit breaker when the control voltage drops below 35 % of its rated voltage.
- Between 35 % and 70 % of the rated voltage opening is only probable.
- Above 70 % of the rated voltage, opening does not take place.
- Continuous duty rated coil.
- Circuit breaker closing is possible only if the voltage exceeds 85 % of the rated voltage. If an undervoltage condition exists, operation of the closing mechanism of the circuit breaker will not permit the main contacts to touch, even momentarily. This is commonly called "Kiss Free".



Opening conditions of the MN release.



Closing conditions of the MN release.

Installation, connection

Accessories snap into cavities under the circuit breaker front accessory cover. Spring-type terminals in order to insure a fast and reliable connection to 0.5...1.5 mm² flexible copper wire (one per terminal).

Operation

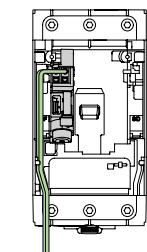
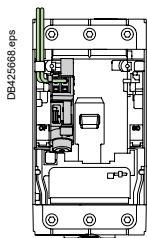
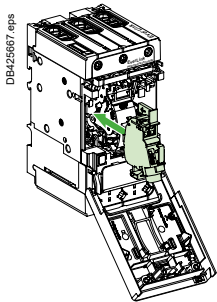
Circuit breaker must be locally reset after trip by shunt trip (MX) or undervoltage release (MN). Tripping by MX or MN has priority over manual closing; in the presence of a standing trip order such an action does not result in main contacts closing, even temporarily.

Description	Maximum number	Mounting	Voltage	Reference
MX Shunt trip	1	Internal, plug-in	24 V~ 50/60 Hz, 24 V---	GV4AS027
			48 V~ 50/60 Hz, 48 V---	GV4AS057
			110-130 V~ 50/60 Hz 125 V---	GV4AS137
			220-240 V~ 50 Hz, 208-240 V~ 60 Hz, 277 V 60 Hz, 208-277 V---	GV4AS287
			380-415 V~ 50 Hz, 440-480 V~ 60 Hz	GV4AS487
MN undervoltage release	1	Internal, plug-in	24 V~ 50/60 Hz, 24 V---	GV4AU027
			48 V~ 50/60 Hz, 48 V---	GV4AU057
			110-130 V~ 50/60 Hz 125 V---	GV4AU137
			220-240 V~ 50 Hz, 208-240 V~ 60 Hz	GV4AU247
			277 V~ 60 hZ	GV4AU286
			380-415 V~ 50 Hz	GV4AU415
			440-480 V~ 60 Hz	GV4AU486

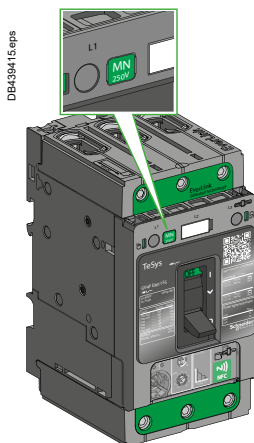
⁽¹⁾ Except for MX 24 V AC/DC (in case of continuous activation, may generate some minor perturbation in sensitive environment).



GV4AS137 shunt trip



MN or MX plugged into cavity. Multiple internal wiring possibilities, even with long terminal shields



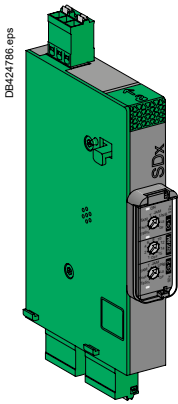
Visible presence of MN undervoltage release in circuit breaker cavity, visible rated voltage through the window.

Motor circuit breakers



Dimensions:
p. B6/136 to B6/137

Schemes:
p. B6/137



GV4ADM1111 SDx contact module

SDx contact module for GV4PEM, GV4PB (Multifunction)

The SDx provides alarming and functional fault differentiation for GV4PEM, GV4PB (Multifunction) circuit breaker. This module has 2 NO/NC outputs dry contacts which can be assigned with one of the 8 following SD status:

- **SDT95%** overload alarm: thermal image of the motor is greater than 95 % of the permissible temperature rise.
- **SDTxxs** overload alarm: circuit breaker will trip in xx seconds with the same load. xx is adjustable between 10 to 40 seconds (default 20 seconds) on the circuit breaker itself through NFC or a computer with EcoStruxure Power Commission software and an interface module (TRV00911).
- **SDTAM** overload alarm just before tripping: in the event of a phase unbalance, overload, or on a jam fault, this output is activated to open the contactor and avoid circuit breaker tripping. In that case, contact can be manually or automatically reset after an adjustable cooling time from 1 to 15 minutes. If after a 400 ms delay the motor is not stopped, the circuit breaker will trip.
- **SDT** overload trip indication: circuit breaker has tripped due to an overload fault
- **SDJAM** jam trip indication: circuit breaker has tripped due to a jam fault
- **SDUNB** phase unbalance trip indication: circuit breaker has tripped due to an unbalance fault
- **SDLS** long start trip indication: circuit breaker has tripped due to a long start fault
- **SDGF** ground-fault trip indication: circuit breaker has tripped due to a ground-fault.

Outputs are automatically reset either when alarm disappears or when the circuit breaker is restarted.

Output characteristics

- 2 NO/NC dry contacts
- 24...250 V AC/DC
- Minimum load: 2 mA under 24 V DC
- Max load: 5 A
- AC15 (230 V max - 400 VA)
- DC13 (24 V - 50 W)

Power characteristics

- 24...240 V AC/DC

Contact rating (per UL/CSA B300 & R300)

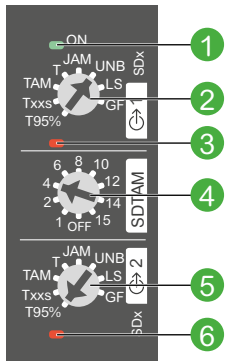
Standard	Rated Voltage U_e	Operational Current I_e	Make	Break	I_{th}
			VA	VA	A
B300	120 V AC	3	3600	360	5
	240 V AC	1.5			
R300	125 V DC	0.22	28	28	1
	250 V DC	0.1			

The rated operational current I_e (A), the rated operational voltage U_e (V) and the break apparent power B (V.A) are correlated by the formula $B = U_e \cdot I_e$; with $I_e \leq I_{th}$.

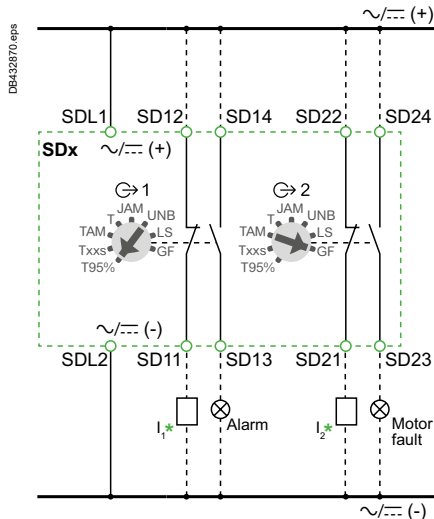
Installation, connection, settings and indication

The SDx module is clipped on the right side of the circuit breaker. Each removable spring terminal can be connected by one 0.5... 1.5 mm² copper wire. Settings and indications are available on the front face.

Motor circuit breakers

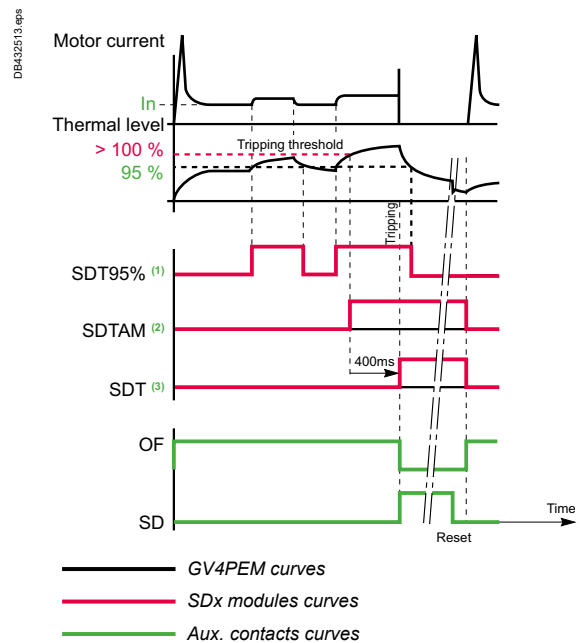


- 1 Green led lighted when the module is powered.
- 2 Output 1: SD status assignment.
- 3 Red led lighted when output 1 is activated.
- 4 Cooling time setting before automatic restart (OFF - 1...15 min).
- 5 Output 2: SD status assignment.
- 6 Red led lighted when output 2 is activated.



* I1, I2: PLC digital inputs - used as alarm inputs, as an example.

SDx wiring diagram



— GV4PEM curves
— SDx modules curves
— Aux. contacts curves

- (1) SDT95% (= 95% overload)
- (2) SDTAM (overload tripping pre alarm) here not connected to any contactor coil
- (3) SDT (= tripping on thermal fault)

Description	Mounting	Maximum number	Type of contacts	Unit reference
SDx: alarming / fault differentiation module	Side	2	N/O / N/C	GV4ADM1111

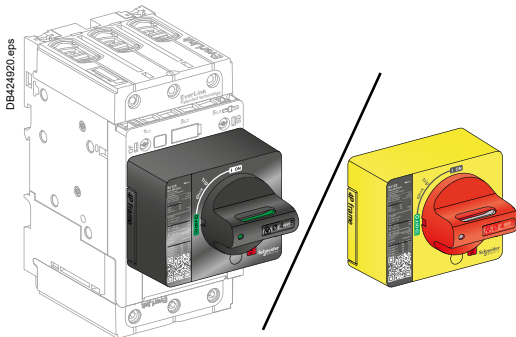
TeSys Power

Deca - Frame 4 Motor circuit breakers - Handles

Product references



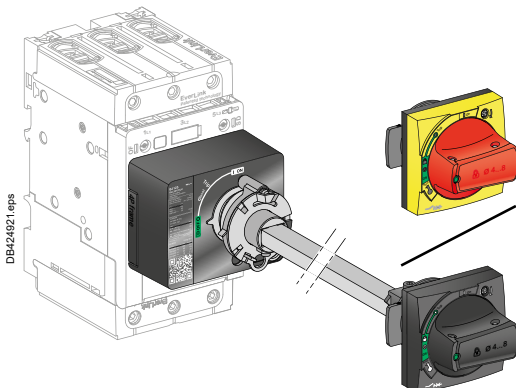
Dimensions:
p. B6/134 to B6/136



Direct mounting rotary handle



GV4ADN02 direct mounting rotary handle



Front extended rotary handle (door-mounting)



GV4APN01 front extended rotary handle kit



GVAPL01 laser tool

Direct mounting rotary handles

Installation

The direct mounting rotary handle has to be mounted by 3 screws on the front accessory cover.

Operation

The direct mounting rotary handle maintains:

- suitability for isolation
- indication of the three positions OFF (O), ON (I) and tripped (Trip)
- access to the "push-to-trip" button
- visibility and access to the trip unit.

Device padlocking

The circuit breaker may be locked in the OFF position by using one to three padlocks (not supplied) or in ON position after customer modification of the rotary handle before installation, padlock shackle Ø4-8 mm. Locking in the ON position does not prevent the circuit breaker from tripping if a circuit or motor malfunction occurs. In this case, the handle remains in the ON position after the circuit breaker trips.

Unlocking is required for the handle to go to the tripped then the OFF position.

Variations: door locking

Door locking built-in functionality can be activated by the customer to prevent opening the door when the circuit breaker is ON or in trip position. For exceptional situations, door locking can be temporarily disabled with a tool by qualified personnel to open the door when the circuit breaker is closed.

Description	Type	Degree of protection	Reference
Direct mounting rotary handle	Black handle	IP40	GV4ADN01
	Red handle on yellow bezel (VDE standard, for machine control)	IP40	GV4ADN02

Front extended rotary handles

Installation

The door-mounted (extended) rotary handle is made up of:

- a unit that has to be screwed on the front accessory cover of the circuit breaker
- an assembly (handle mechanism and front plate) on the door that is always secured in the same position, whether the circuit breaker is installed vertically or horizontally
- an adjustable extension shaft.

The handle mechanism is fixed with a nut (Ø22 mm) to make assembly easier. The Laser Square tool (GVAPL01) can be used to accurately align the hole on the door with the circuit breaker.

Operation when door is closed

The door mounted handle makes it possible to operate a circuit breaker installed in an enclosure from the front. The door mounted operating handle maintains:

- suitability for isolation
- indication of the three positions OFF (O), ON (I) and tripped (Trip)
- visibility and access to trip unit when the door is open
- degree of protection of the handle on the door: IP54 or IP65 as per IEC 60529.

Mechanical door locking when device closed

A standard feature of the extended rotary handle is a locking function, built into the shaft, that disables door opening when the circuit breaker is in the ON or tripped positions.

Door locking can be temporarily disabled with a tool by qualified personnel to open the door without opening the circuit breaker. This operation is not possible if the handle is locked by a padlock.

Device and door padlocking

Padlocking locks the circuit breaker handle and disables door opening:

- standard situation, in the OFF position, using 1 to 3 padlocks, shackle Ø4-8 mm, padlocks are not supplied
- for the black handle, with a voluntary modification of the door handle (to be done by the customer during installation), in the ON and OFF positions. Locking in the ON position does not prevent the circuit breaker from tripping if a circuit or motor malfunction occurs. In this case, the handle remains in the ON position after the circuit breaker trips. Unlocking is required for the handle to go to the tripped then the OFF position.

Shaft length

The shaft length is the distance between the back of the circuit breaker and the door:

- minimum shaft length is 214 mm
- maximum shaft length is 627 mm
- shaft length must be adjusted.

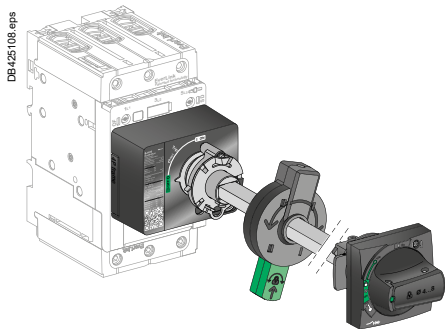
TeSys Power

Deca - Frame 4 Motor circuit breakers - Handles

Product references



Dimensions:
p. B6/136



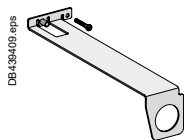
Open door shaft operator mounted on front extended rotary handle assembly



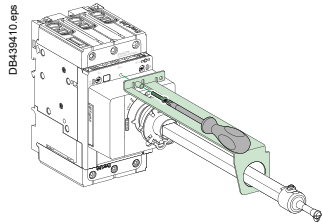
GV4APN01
Front extended rotary handle kit



LV426937
Open door shaft operator



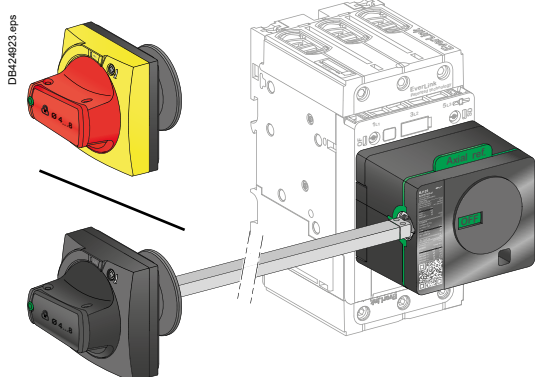
LV426938
Support arm for extended rotary handle



Motor circuit breakers



GVAPL01 - Laser tool



Side extended rotary handle (cover mounting)



LV426936 - Side rotary handle kit



LV426998, LV426997 - Universal handles

Front extended rotary handles (cont.)

Operation when door is opened

An open door shaft operator can be used to operate the circuit breaker when door is opened. This accessory complies with UL508 A.

The indication of the three positions OFF (O), ON (I) and tripped (Trip) is visible on the circuit breaker.

The circuit breaker itself may be locked in OFF position when the door is opened by 1 padlock / lockout hasp, shackle Ø4-8 mm.

Description	Type	Degree of protection	Reference
Front extended rotary handle kit	Black handle	IP54	GV4APN01
	Red handle on yellow bezel	IP54	GV4APN02
		IP65	GV4APN04
Open door shaft operator			LV426937
Support arm for extended rotary handle			LV426938
Laser tool			GVAPL01
Spare part: GV4 universal handle (for replacement of front, ext. or side rotary handle)	Black handle	IP54	LV426997
	Red handle on yellow bezel	IP54	LV426998
		IP65	LV426999

Side rotary handles (left or right)

Installation

The side-mounted rotary handle is made up of:

- a unit that has to be screwed on the front accessory cover of the circuit breaker
- an assembly (handle and front plate) on the side (left or right) of the enclosure
- an adjustable extension shaft

The handle mechanism is fixed with a nut (Ø22 mm) to make assembly easier.

Operation

The side mounted rotary handle makes it possible to operate circuit breakers installed in enclosure from the side. The side mounted rotary handle maintains:

- suitability for isolation
- indication of the three positions OFF (O), ON (I) and tripped (Trip). Moreover, the position is visible on the circuit breaker itself
- visibility and access to trip unit when the door is open
- degree of protection of the handle on the side: IP54 or IP65 as per IEC 529.

Device padlocking

The circuit breaker may be locked in the OFF position, or, for the black rotary handle only, in ON position after voluntary modification of the side handle (to be done by the customer during installation), by using one to three padlocks, padlock shackle Ø4-8 mm ; padlocks are not supplied.

Locking in the ON position does not prevent free circuit breaker from tripping if a circuit or motor malfunction occurs. In this case, the handle remains in the ON position after the circuit breaker tripping. Unlocking is required to go to the tripped then the OFF position.

Shaft length

The shaft length is the distance between the side of the circuit breaker and the side of the enclosure:

- minimum shaft length is 45 mm
- maximum shaft length is 480 mm
- shaft length must be adjusted.

Description	Type	Degree of protection	Reference
Side rotary handle kit	Black handle	IP54	LV426935
	Red handle on yellow bezel (VDE standard, for machine control)	IP54 ⁽¹⁾	LV426936
Spare part: GV4 universal handle (for replacement of front, ext. or side rotary handle)	Black handle	IP54	LV426997
	Red handle on yellow bezel	IP54	LV426998
		IP65	LV426999

⁽¹⁾ IP65 possible with LV426935 kit (Black handle not used) + LV426999 Red handle on yellow bezel universal handle.

TeSys Power

Deca - Frame 4 Motor circuit breakers - Accessories

Product references

Handle padlocking devices

Padlocking systems can receive up to three padlocks with diameters of 5-8 mm (4-8 mm for rotary handles); padlocks not supplied. Locking in the OFF position guarantees isolation as per IEC 60947-2.

Direct rotary handle padlocking

By padlock – No accessory required.

- Lock in OFF position.
- Lock in ON position with simple mechanism modification.

Front Extended /Side rotary handle padlocking

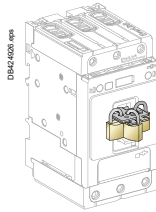
By padlock – No accessory required.

- Lock in OFF position.
 - Lock in ON position with simple mechanism modification (black handle only).
- Door opening prevented.

Toggle handle padlocking

By padlock – removable toggle locking device required **29370**.

- Lock in OFF position.



3 padlocks mounted on 29370 toggle locking device



29370 removable toggle locking device

Description	Reference
Removable toggle locking device for 1 to 3 padlocks	29370

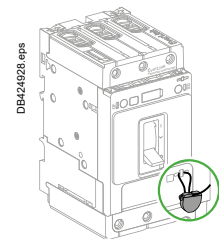
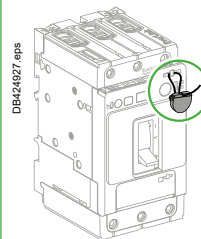
Sealing devices

Control type

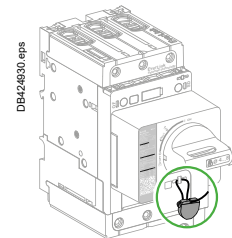
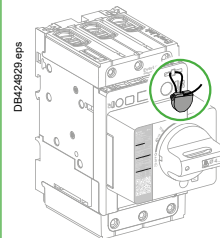
- Front removal.
- Access to auxiliaries.

- Access to settings and test connector.

Toggle



Rotary handle



Description	Reference
Bag of 6 leads + 6 sealing accessories	LV429375



LV429375 leads + sealing accessories

Motor
circuit
breakers

TeSys Power

Deca - Frame 4 Motor circuit breakers - Accessories

Product references



PB121333.eps
LAD96595
EverLink connector



PB121334.eps
GV4LUG
crimped lug connector



PB121343.eps
LV426920
interphase barriers



PB121342.eps
LV426990
9 N.m green throwaway bits



PB121336.eps
LAD96590
transparent terminal shield



PB121344.eps
LV426940
spreader 3-pole



PB121341.eps
LV426992
5 N.m yellow throwaway bits



PB121338.eps
LV434206
pocket battery



PB121337.eps
TRV00910
maintenance case



PB121338.eps
TRV00911
Spare USB maintenance interface



PB121340.eps
TRV00915
spare power supply
110-240 V AC



PB121339.eps
TRV00917
spare GV4PEM cord for
USB maintenance interface

EverLink power connection

Description	Reference
EverLink connector	LAD96595

Crimp lug/busbar connection

Description	Sold in lots of	Reference
Crimped lug connector + screws	1	GV4LUG
Transparent terminal shield for crimped lug connector	1	LAD96590
Interphase barriers	6	LV426920
Spreader 3-pole	To increase the pitch to 35 mm 1	LV426940

Limited torque throwaway bits

Description	Sold in lots of	Reference
Green - 9 N.m	6	LV426990
Yellow - 5 N.m	6	LV426992

Note: torque limiting breakaway bits may be used, particularly in the field, to tighten at the right torque EverLink™ or compression lug power connections.

Test tool, software, demo for GV4PEM

Test tool

Pocket battery	LV434206
Allows the ref. GV4PEM or GV4PB controller to be powered for adjustments and tests when no internal source is available.	

Maintenance case	TRV00910
Comprising:	

- USB maintenance interface
- Power supply
- GV4PEM cord
- USB cord
- RJ45/RJ45 male cord

Spare USB maintenance interface	TRV00911
---------------------------------	-----------------

USB interface spare power supply, 110-240 V AC, with 4 different socket adapters	TRV00915
--	-----------------

Spare cord for connecting GV4PEM to USB maintenance interface	TRV00917
---	-----------------

Software

Configuration and setting software EcoStruxure Power Commission	Free download
---	----------------------

TeSys Giga - Frame 5, 6 55 to 250 kW



Motor
circuit
breakers

Motor
circuit
breakers



Characteristics:
p. B6/140

Curves:
p. B6/141 to B6/143

Dimensions:
p. B6/146 to B6/151

Schemes:
p. B6/152

PB120638.eps



GV5P220F

Thermal-magnetic circuit breakers Frame 5 with screw clamp terminals up to 110 kW ⁽¹⁾

Control by direct rotary handle

Standard power ratings of 3-phase motors 50/60 Hz in category AC-3

400/415 V			500 V			660/690 V			Thermal setting range (lr)	Reference	Weight
P	I _{cu}	I _{cs} ⁽²⁾	P	I _{cu}	I _{cs} ⁽²⁾	P	I _{cu}	I _{cs} ⁽²⁾			
kW	kA	%	kW	kA	%	kW	kA	%	A	kg	
55...75	36	100	75...90	30	100	90...110	8	100	70...150	GV5P150F	2.4
		70			50		100			10	
90...110	36	100	110	30	100	110...132	8	100	100...220	GV5P220F	2.6
		70			50		100			10	

(1) Breakers have to be used with suitable rating of contactors, as defined in section A6.

(2) As % of I_{cu}.

PB120633.eps



GV6P320F

Thermal-magnetic circuit breakers Frame 6 with screw clamp terminals up to 250 kW ⁽¹⁾

Control by direct rotary handle

Standard power ratings of 3-phase motors 50/60 Hz in category AC-3

400/415 V			500 V			660/690 V			Thermal setting range (lr)	Reference	Weight
P	I _{cu}	I _{cs} ⁽²⁾	P	I _{cu}	I _{cs} ⁽²⁾	P	I _{cu}	I _{cs} ⁽²⁾			
kW	kA	%	kW	kA	%	kW	kA	%	A	kg	
132...160	36	100	160...200	25	100	200...250	10	100	160...320	GV6P320F	6.5
		70			50		100			10	
200...250	36	100	250...315	25	100	315...400	10	100	250...500	GV6P500F	6.7
		70			50		100			10	

(1) Breakers have to be used with suitable rating of contactors, as defined in section A6.

(2) As % of I_{cu}.

Thermal-magnetic circuit breakers Frame 5/6 with screw clamp terminals ⁽¹⁾

Control by direct rotary handle

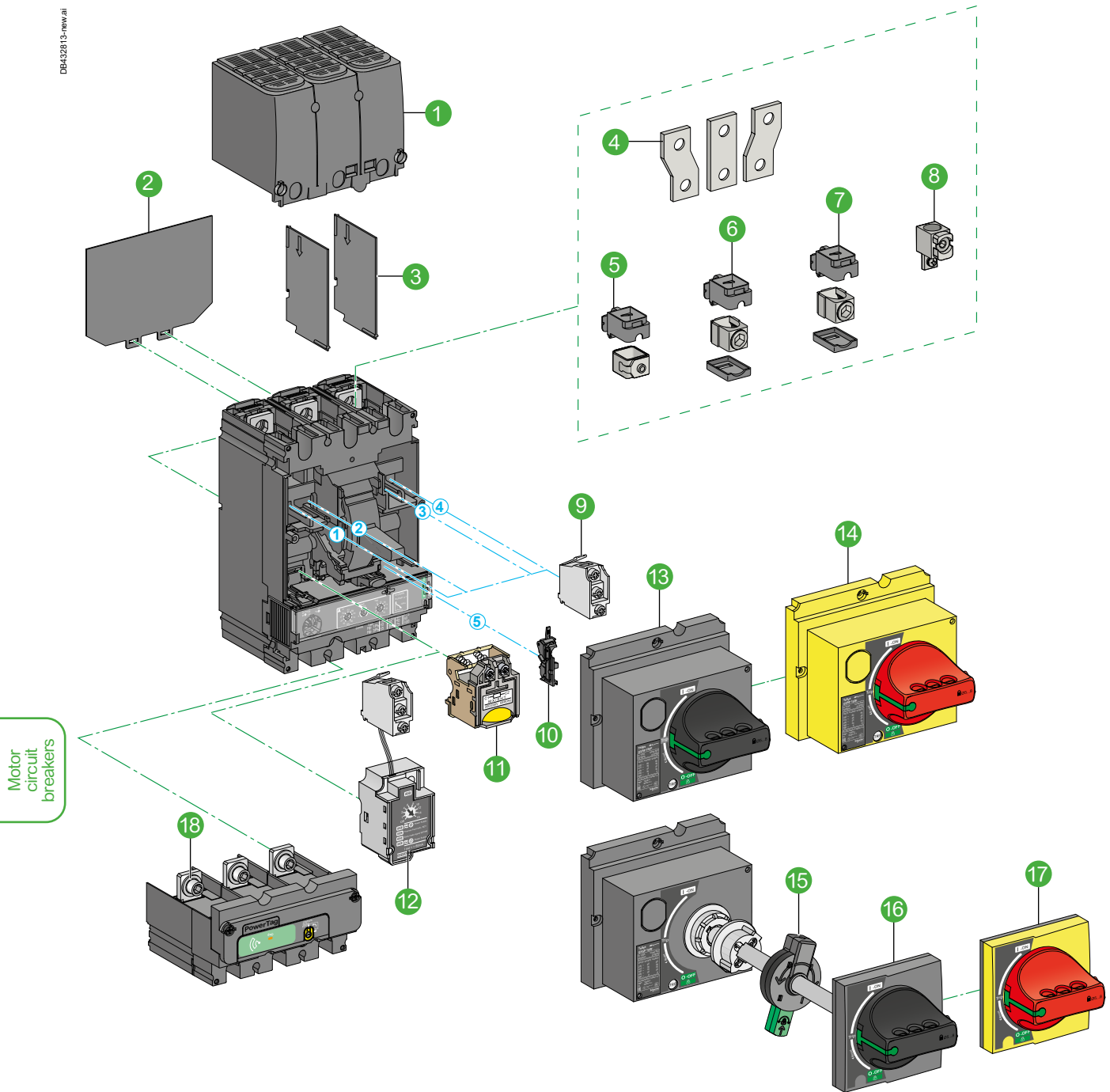
Thermal setting	3-Phase			Standard breaking capacity	High breaking capacity
	230 V	460 V	575 V		
A	HP	HP	HP	Reference	Reference
90...150	50	100	150	GV5P150F	GV5P150H
133...220	75	150	200	GV5P220F	GV5P220H
160...320	125	250	300	GV6P320F	GV6P320H
250...500	150	350	500	GV6P500F	GV6P500H

(1) Breakers have to be used with suitable rating of contactors, as defined in section A6.

Motor circuit breakers

Frame 5 Motor circuit breaker - Add-on blocks and accessories

DG432813-new.ai

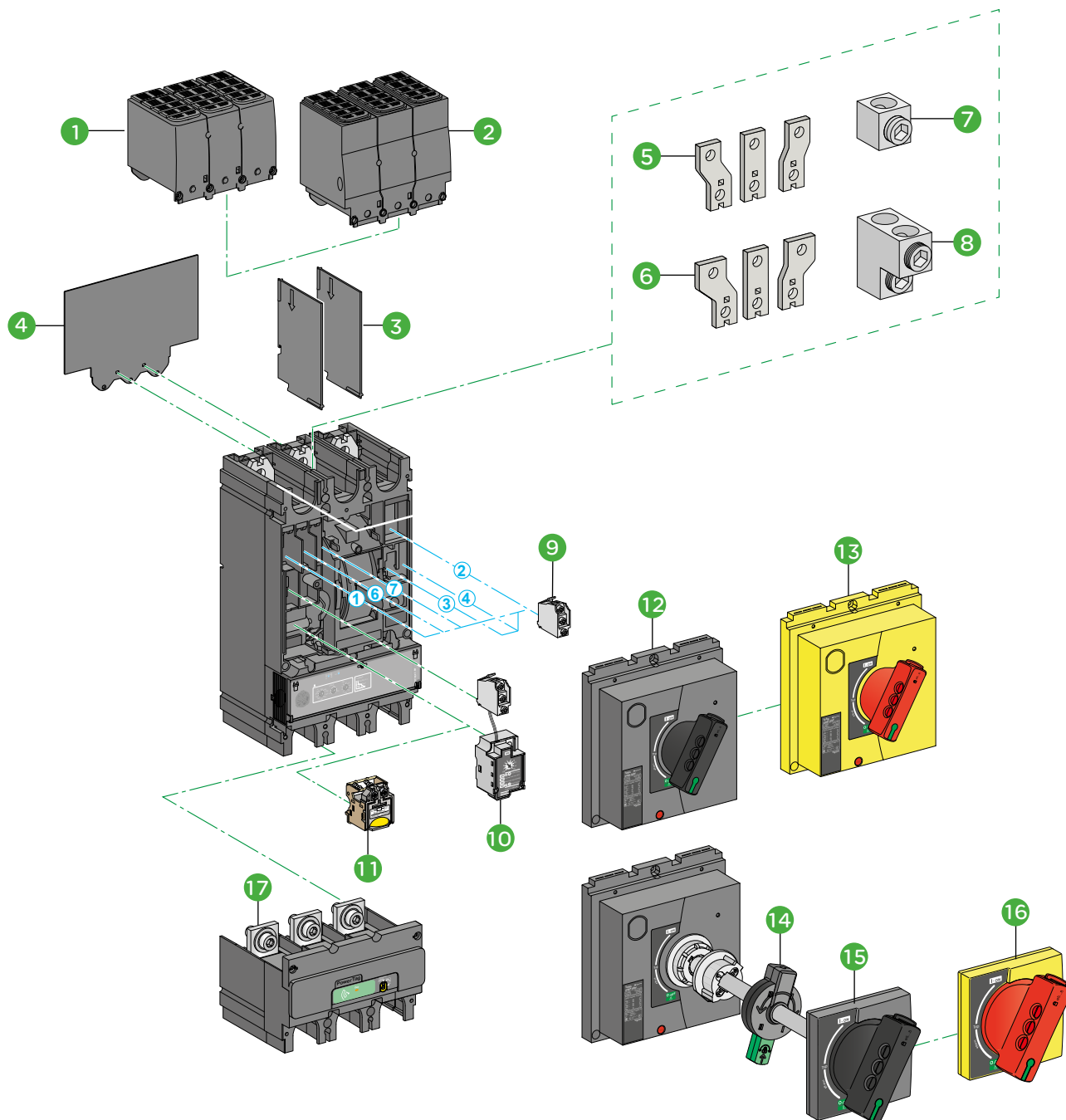


1...5: function related to each contact location, please refer to B6/54.

- ① Terminal shield **GV7AC01**
- ② Insulating screen **GV7AC05**
- ③ Interphase barriers **GV7AC04**
- ④ Spreaders 45 mm **GV7AC03**
- ⑤ Steel connector **GV7AC021** (1.5-95 mm²)
- ⑥ Aluminum connector **LV429227** (25-95 mm²)
- ⑦ Aluminum connector **GV7AC022** (120-185 mm²)
- ⑧ Aluminum connector **LV429244** (120-240 mm²)
- ⑨ OF, SD, or SDE indication contacts **29450** (standard) / **29452** (for low level)
- ⑩ SDE adapter **LV429451**
- ⑪ UVR or SHT voltage release **LV42940●/LV42938●**
- ⑫ SDTAM thermal fault module **LV429424**
- ⑬ Direct rotary handle black **GV5AP03** (shipped with the device)
- ⑭ Direct rotary handle red on yellow bezel **GV7AP04**
- ⑮ Open door shaft operator **LV426937**

- ⑯ Extended rotary handle black **GV7AP01**
- ⑰ Extended rotary handle red on yellow bezel **GV7AP02**
- ⑱ PowerTag M250 wireless energy sensor **LV434020**

DE45281fr_en



Motor circuit breakers

1...7: function related to each contact location, please refer to B6/54.

- ① Terminal shield 45 mm **LV432593**
- ② Terminal shield 52.5 mm **LV432595**
- ③ Interphase barriers **LV432570**
- ④ Insulating screen **LV432578**
- ⑤ Spreader 52.5 mm **LV432490**
- ⑥ Spreader 70 mm **LV432492**
- ⑦ Aluminum connector **LV432479** (1 x 35-300 mm²)
- ⑧ Aluminum connector **LV432481** (2 x 35-300 mm²)
- ⑨ OF, SD, or SDE indication contacts **29450** (standard) / **29452** (for low level)
- ⑩ SDTAM thermal fault module **LV429424**
- ⑪ UVR or SHT voltage releases **LV42940●** / **LV42938●**
- ⑫ Direct rotary handle black **GV6AP03** (shipped with the device)
- ⑬ Direct rotary handle red on yellow bezel **LV432599**
- ⑭ Open door shaft operator **LV426937**
- ⑮ Extended rotary handle black **LV432598**
- ⑯ Extended rotary handle red on yellow bezel **LV432600**
- ⑰ PowerTag M630 wireless energy sensor **LV434022**



Characteristics:
p. B6/144 to B6/145

Schemes:
p. B6/152

Add-on auxiliary contacts - OF contacts

These allow remote indication of the circuit breaker contact states. They can be used for signalling, electrical locking, relaying, etc. They are available in two versions: standard and low level. They include a terminal block and the auxiliary circuits leave the circuit breaker through a hole provided for this purpose. They perform the following functions, depending on where they are located in the circuit breaker:

Location	Function	Application
1 and/or 4 (GV5) 1 and/or 4, 6, 7 (GV6)	C/O contact	Indicates the position of the circuit breaker poles.
2	Trip indication	Indicates that the circuit breaker has tripped due to an overload, a short-circuit, a differential fault or the operation of a voltage trip (undervoltage or shunt trip), or of the "push to trip" test button. It resets when the circuit breaker is reset.
3	Electrical fault indication	Indicates that the circuit breaker has tripped due to an overload, a short-circuit or a differential fault. It resets when the circuit breaker is reset.
5	Adapter for electrical fault indication	This accessory is mandatory for GV5 to provide electrical fault indication.

Type	Reference
Standard	29450
Low level	29452
Adapter for electrical fault indication	LV429451

Thermal fault module - SDTAM

GV5/ GV6 can be equipped with thermal fault module. This module has:

- a contact to indicate overload fault in the circuit-breaker
- a contact to open the contactor. In the event of overload or phase unbalance, this output is activated 400 ms before circuit-breaker tripping to open the contactor and avoid circuit breaker tripping.

Voltage	Reference
24...415 V AC/DC	LV429424 ⁽¹⁾

Electric trips

These allow the circuit breaker to be tripped via an electrical control signal.

- Undervoltage release (UVR) - LV42940●
- Trips the circuit breaker when the control voltage drops below 35 % of its rated voltage.
- Between 35 % and 70 % of the rated voltage opening is possible but not guaranteed.
- Above 70 % of the rated voltage, opening does not take place.
- Continuous duty rated coil.
- Circuit breaker closing is possible only if the voltage exceeds 85 % of the rated voltage.
- Shunt trip (SHT) - LV42938●
- Trips the circuit breaker when the control voltage rises above 0.7 times the rated voltage.
- Impulse type ≥ 20 ms or maintained control signals.
- Operation (LV42940● or LV42938●)
- When the circuit breaker has been tripped by an UVR or by a SHT, it must be reset either locally.
- Tripping has priority over manual closing: if a tripping order is present, manual action does not result in closing, even temporarily, of the contacts.
- Durability: 50 % of the mechanical durability of the circuit breaker.

Type	Voltage	Reference
Undervoltage trip	48 V, 50/60 Hz	LV429405
	110...130 V, 50/60 Hz	LV429406
	220...240 V, 50/60 Hz	LV429407
	208...277 V, 60 Hz	
	380...415 V, 50/60 Hz	LV429408
Shunt trip	440...480 V, 60 Hz	
	48 V, 50/60 Hz	LV429385
	110...130 V, 50/60 Hz	LV429386
	220...240 V, 50/60 Hz	LV429387
	208...277 V, 60 Hz	
	380...415 V, 50/60 Hz	LV429388
	440...480 V, 60 Hz	

(1) LV429424 takes the place of the UVR/SHT electric trip coil and an auxiliary contact (C/O contact 1).



Dimensions:
p. B6/149



PB120641.eps

LV432479



PB120642.eps

LV432490



PB120643.eps

LV432593



PB120644.eps

GV7AC04



PB120640.eps

GV6AP03



PB120645.eps

LV432599



PB120646.eps

GV7AP02

Cabling accessories

Cable connectors: The connectors for Frame 5 snap directly on to the device terminals or are secured by clips to right-angle and straight terminal extensions as well as spreaders. Frame 6 connectors are screwed directly to the device terminals.

Spreaders: Spreaders may be used to increase the pitch from 35 mm to 45 mm for Frame 5. The 45 mm pitch can be increased to 52.5 or 70 mm for Frame 6.

Long terminal shields: They are used for front connection with cables or insulated bars. They comprise two parts assembled with captive screws, forming an IP40 cover. The top part is equipped with sliding grids with break marks for precise adaptation to cables or insulated bars. The rear part completely blocks off the connection zone. Partially cut squares can be removed to adapt to all types of connection for cables with lugs or copper bars. Long terminal shields may be mounted upstream and downstream of the breaker.

Phase barriers: These interphase barriers are used for maximum insulation at the power-connection points.

Insulating screens: Accessories providing insulation at the rear of the device, where they are fitted. Their use is mandatory for devices with spreaders, installed on backplates, when terminal shields are not used.

Frame 5 Combination kits: These kits allow link between the circuit breaker and the contactor. The cover provides protection against direct finger contact. The kit comprises links, a protective shield and a depth adjustable metal bracket for the breaker.

Description	Application	Sold in lots of	Unit reference GV5	Unit reference GV6
Steel connectors (set of 3)	1.5...95 mm ² ≤ 150 A	1	GV7AC021	–
Aluminium connectors (set of 3)	25...95 mm ² ≤ 220 A	1	LV429227	
	120...185 mm ² ≤ 220 A	1	GV7AC022	
	120...240 mm ² ≤ 220 A	1	LV429244	
	35...300 mm ²	1		LV432479
	2 x 35...300 mm ²	1		LV432481
Spreader 3-pole ⁽¹⁾	35...45 mm pole pitch	1	GV7AC03	
	52.5 mm pole pitch	1		LV432490
	70 mm pole pitch	1		LV432492
Long terminal shield (IP40) ⁽¹⁾	35 mm pole pitch	1	GV7AC01	
	45 mm pole pitch	1		LV432593
	52.5 mm pole pitch	1		LV432595
Phase barriers (set of 6)		1	GV7AC04	LV432570
Insulating screens (set of 2)	45 mm	1	GV7AC05	
	70 mm			LV432578

Direct rotary handle

The circuit breaker is always supplied direct rotary handle (black handle, black plate) as standard and it provides IP40 protection. The other type handles can be used by replacing this direct rotary handle. It includes a device for locking the circuit breaker in the O (Off) position by means of up to 3 padlocks with a shackle diameter of 5 to 8 mm (padlocks not included). A MCC conversion accessory allows the direct rotary handle to be mounted on the enclosure door. In this case, the door cannot be opened if the circuit breaker is in the "ON" position. Circuit breaker closing is inhibited if the enclosure door is open and prevents the device from being closed if the door is open.

Description	Type	Sold in lots of	Unit reference GV5	Unit reference GV6
Direct rotary handle	Black handle, black legend plate	1	GV5AP03	GV6AP03
	Red handle, yellow legend plate	1	GV7AP04	LV432599
MCC conversion accessory	Four mounting direct rotary handle on enclosure door	1	GV7AP05	LV432606

Extended rotary handle

Allows to operate a circuit breaker from the front of the switch board, which's installed in the back of an enclosure, which provides IP55 protection. It comprises:

- a unit which is screwed onto the front accessory cover of the circuit breaker,
- an assembly (handle mechanism and front plate) to be fitted on the enclosure door,
- an extension shaft which must be adjusted.
- The distance minimum and maximum distances between the mounting surface and the door are
 - 185...600 mm for Frame 5
 - 209...600 mm for Frame 6

It includes a device for locking the circuit breaker in the O (Off) position by means of up to 3 padlocks with a shackle diameter of 5 to 8 mm (padlocks not included) and disables opening enclosure door.

Description	Type	Sold in lots of	Unit reference GV5	Unit reference GV6
Extended rotary handle	Black handle, black legend plate	1	GV7AP01	LV432598
	Red handle, yellow legend plate	1	GV7AP02	LV432600

⁽¹⁾ Terminal shields cannot be used together with spreaders.

TeSys Power

Giga - Frame 5, 6 Motor circuit breakers - Accessories

Product references



Dimensions:
p. B6/150

Front extended rotary handles (cont.)

Operation when door is opened

An open door shaft operator can be used to operate the circuit breaker when door is opened. This accessory complies with UL508 A.

The indication of the three positions OFF (O), ON (I) and tripped (Trip) is visible on the circuit breaker.

The circuit breaker itself may be locked in OFF position when the door is opened by 1 padlock / lockout hasp, shackle Ø4-8 mm.



PB121326.eps

LV426937
Open door shaft operator

Description	Reference
Open door shaft operator	LV426937
Laser tool	GVAPL01



PB106237.eps

GVAPL01 Laser tool

Other accessories

Bag of 6 tamper seals + 6 cover caps (1 large, 5 small) for screw heads

LV429375



PB120637.eps

LVA429375
Sealing accessories

PowerTag Measurement module

Wireless-communication module

PowerTag is directly mounted on the bottom side of the circuit breaker.

It provides capability to measure energy, monitor voltage loss, and trigger alarms.

It then delivers useful data to a concentrator for monitoring and diagnosis of the associated circuit breaker.

In addition to monitoring and alarming, PowerTag solution provides a complete knowledge of real time electrical values with a rich and accurate data transfer every 5 seconds.

PowerTag energy sensors can be quickly and easily installed in new or existing panels at any time. Compared to traditional metering solutions, installation time and commissioning are much shorter with no wiring, hence an error proof high density solution and a built-in class 1 accuracy.

Functions

PowerTag energy sensor measures the following values in accordance with the IEC 61557-12 standard:

- Energy (4 quadrants):
 - Active energy (Wh): total and partial, delivered and received
 - Active energy per phase (Wh): total
 - Reactive energy (VARh): partial, delivered and received
- Power:
 - Active power (W): total and per phase
 - Reactive power (VAR): total
 - Apparent power (VA): total
- Voltages (V): phase-to-phase (U12, U23, U31) and phase-to-neutral (V1N, V2N, V3N)
- Currents (A): per phase (I1, I2, I3)
- Frequency
- Power factor
- Voltage loss alarm:
 - PowerTag energy sensor sends a "voltage loss" alarm and the current-per-phase value before being de-energized
 - At "voltage loss", PowerTag adds an overload alarm if the current is higher than the rated current of the associated protective device.

Note: functions listed above depend on concentrators/gateways.

Description	Reference
PowerTag M250 3P: suitable for Frame 5 up to 220 A	LV434020
PowerTag M630 3P: suitable for Frame 6 up to 500 A	LV434022

Motor
circuit
breakers



PB121345.eps

LV434020, LV434022

PowerLogic™ Energy measurement solutions



Motor
circuit
breakers

PowerLogic™ Energy measurement solutions

PowerTag™ Energy sensors

Presentation

PowerTag Energy

It is a wireless-communication energy sensor dedicated to:

- Energy Management
- Load Monitoring
- Power Availability applications.

It provides a class 1 solution to monitor energy at any level of a distribution panel, from load to main incomer.

Thanks to the wireless communication between PowerTag Energy Sensors and PowerTag Energy Link gateway, the solution can be quickly and easily installed in new or existing panels.

Main features

Real time measurement (saved in the sensors):

- U, V, I (up to 2000 A)
- P, PF and energy values
- Diagnostics, alarming.

PowerTag Energy - Main components

Measurement - PowerTag Energy sensors

Voltages and currents are measured and processed by a sensor:

- 1 PowerTag Energy Monoconnect: directly mounted on the device terminals, upstream (Acti9, Multi9 only) or downstream (Acti9, Multi9, TeSys Deca - Frame 5, 6 circuit breakers)
- 2 PowerTag Energy Phase Neutral: sensor is crossed by the conductors, voltage pickup connector mounted on device terminals
- 3 PowerTag Energy Flex: sensor is crossed by the conductors
- 4 PowerTag Energy Rope: fixed on bar conductors.

Processing and communication – PowerTag Energy Link

The system works with a concentrator or a gateway:

- to collect data from the sensors
- to process data
- to provide additional alarms
- and make them available via Ethernet.



PowerTag Energy Link

Motor circuit breakers



Connection (voltage and current)

Upstream

Downstream

Preferred installation to take full benefit of voltage loss alarming in diagnosing the load

Features

- Energy management: consumption in kWh
- Load monitoring: real-time measurements
- Energy management: consumption in kWh
- Load monitoring: real-time measurements
- Power availability: voltage loss alarming

Note:

In combination with a contactor, Variable Speed Drive or motor starter: PowerTag Energy can ONLY be installed UPSTREAM of these devices. Select the PowerTag Energy devices, check the possible mounting positions in the PowerLogic – PowerTag Energy - Selection guide.



Scan or Click to download:

> PowerLogic - PowerTag Energy - Selection guide

PowerLogic™ Energy measurement solutions

PowerTag™ Energy Flex 63 A

Use with TeSys Deca - Frame 2, 3 Motor circuit breakers



Characteristics:
p. B6/154

Dimensions:
p. B6/154



Communication between PowerTag Energy Flex 63 A and PowerTag Link ref. A9XMWD20

Energy measurement – PowerLogic

PowerTag Energy Flex 63 A (F63)

As per IEC 61557-12 PMD-II/DD/K55/1 standard:
with its flex design this PowerTag Energy can be used below a **Deca Motor circuit breakers Frame 2, 3-type (ref. GV2●●●, GV3●●●)** up to 63 A on 3P or 3P + N networks. The voltage picking is done by mean of 3 (3P) or 4 (3P + N) terminals. The shapes for brackets allow to mount and maintain it where needed in a panel.

Main characteristics

PowerTag Energy measures the following values in accordance with the IEC 61557-12 standard PMD-I/DD/K55/1.

Energy:

- Active energy (kWh): total and partial, delivered and received.

Real-time measurement values:

- Voltages (V): phase-to-phase and phase-to-neutral
- Currents (A): per phase.
- Power:
 - Active power (W): total and per phase
 - Apparent power (VA): total
 - Power factor.

Voltage loss alarms:

- PowerTag Energy sends a 'voltage loss' alarm and the current-per-phase value before being de-energized
- At 'voltage loss', PowerTag Energy adds an overload alarm if the current is higher than the rated current of the associated protective device.

Note: functions listed above depends on Concentrator/Gateway.

Description	Reference
PowerTag Energy Flex 63 A 3P	A9MEM1573
PowerTag Energy Flex 63 A 3P+N	A9MEM1570

Installation

Neutral picking shall be connected to have phase-to-neutral voltages, energy per phase and power per phase provided.

The existing PowerTag cable ends have been designed for screw terminals for 16 mm².

To adapt PowerTag F63 to the different types of product terminals, it is possible to replace the PowerTag Energy voltage measurement terminals by other cable ends for WG22/0.33 mm² wire.

PB121656 eps



A9MEM1573

PB121657 eps



A9MEM1570

PowerTag Flex 63 A (terminals are for voltage measurement)

Motor circuit breakers



Scan or Click to download:

> PowerLogic - PowerTag Energy - Selection guide



PowerLogic™ Energy measurement solutions

PowerTag™ Energy Flex 160 A

Use with TeSys Deca - Frame 4 Motor circuit breakers



Characteristics:
p. B6/155

Dimensions:
p. B6/155



Communication between PowerTag Energy Flex 160 A and PowerTag Link ref. A9XMWD20

Motor circuit breakers

Energy measurement – PowerLogic

PowerTag Energy Flex 160 A (F160)

As per IEC 61557-12 PMD-II/DD/K70/1 standard: with its flex design this PowerTag Energy can be used below a **Deca motor circuit breaker Frame 4 - type (ref GV4●●●●)** up to 160 A on 3P or 3P + N networks. Its removable spring connector for voltage picking facilitates its installation, and shapes for brackets allows to mount and maintain it where needed in a panel.

Main characteristics

PowerTag Energy Flex 160 A measures the following values in accordance with the IEC 61557-12 standard PMD-II/DD/K70/1.

- Energy (4 quadrants):
 - Active energy (kWh): total and partial, delivered and received
 - Active energy per phase (kWh): total and partial, delivered and received
 - Reactive energy (kVARh): total and partial, delivered and received
 - Reactive energy per phase (kVARh): total and partial, delivered and received
 - Apparent energy (kVAh): total and partial
 - Apparent energy per phase (kVAh): total and partial.
- Real-time measurement values:
 - Voltages (V): phase-to-phase (U12, U23, U31) and phase-to-neutral (V1N, V2N, V3N)
 - Currents (A): per phase (I1, I2, I3), calculated neutral current when connected (IN)
 - Power:
 - Active power (W): total and per phase
 - Reactive power (VAR): total and per phase
 - Apparent power (VA): total and per phase
 - Frequency (Hz).
 - Power factor: total and per phase.
- Voltage loss alarms:
 - PowerTag Energy Flex sensor sends a 'voltage loss' alarm and the current-per phase value before being de-energized.
 - At 'voltage loss", PowerTag Energy Flex adds an overload alarm if the current is higher than the rated current of the associated protective device.

Note: functions listed above depends on Concentrator/Gateway.

Description	Reference
PowerTag Energy Flex 160 A 3P / 3P+N	A9MEM1580

Installation

PowerTag Energy Flex 160 A can be installed in a panel directly on cables or busbars, associated to a product or not. Voltage pickings removable spring terminal has to be wired by 1 copper wire per phase with following characteristics:

Wire range

Solid	Stranded	Stranded with terminals ends
0.2...1.5 mm ²	0.2...2.5 mm ²	0.25...1.5 mm ²
24...16 AWG	24...14 AWG	24...16 AWG

If phase-to-neutral voltages, energy per phase and power per phase are needed, then a Neutral picking cable must be connected between the spring-type connector of the PowerTag Energy Flex and a Neutral in the control panel.

PowerTag Energy Flex 160 A is mainly advised for ComPact NSXm, ComPact INS160, Acti9 NG125, Acti9 C120, PowerPact B, TeSys Deca - Frame 4 - type circuit breaker, and all other devices with a rating between 63 A and 160 A.

PB121655-eps



PowerTag Energy Flex 160 A
Ref. A9MEM1580



Scan or Click to download:

> PowerLogic - PowerTag Energy - Selection guide



PowerLogic™ Energy measurement solutions

PowerTag™ Energy Monoconnect

Use with TeSys Deca - Frame 5, 6 Motor circuit breakers



Characteristics:
p. B6/156

Dimensions:
p. B6/156



Communication between PowerTag Monoconnect M630 and PowerTag Link ref. A9XMWD20

Energy measurement – PowerLogic

PowerTag Energy Monoconnect 250 A (M250) PowerTag Energy Monoconnect 630 A (M630)

As per IEC 61557-12 PMD-II/DD/K70/1 standard:

PowerTag Energy Monoconnect is directly mounted on the bottom side of a **TeSys Deca - Frame 4 or 5 circuit breaker**, for 3P and 3P+N electrical networks. Thanks to its integrated design, it does not require any specific wiring, and is compatible with the same connection accessories than the device it is mounted on. In addition to monitoring and alarming, PowerTag solution provides a complete knowledge of real time electrical values with a rich and accurate data transfer every 5 seconds.

PowerTag Energy sensors can be quickly and easily installed in new or existing panels at any time. Compared to traditional metering solutions, installation time and commissioning are much shorter with no wiring, hence an error proof high density solution and a built-in class 1 accuracy.

Functions

PowerTag Energy sensor measures the following values in accordance with the IEC 61557-12 standard.

- Energy (4 quadrants):
 - Active energy (kWh): total and partial, delivered and received
 - Active energy per phase (kWh): total
 - Reactive energy (kVARh): partial, delivered and received.
- Real-time measurement values:
 - Voltages (V): phase-to-phase (U12, U23, U31) and phase-to-neutral (V1N, V2N, V3N)
 - Currents (A): per phase (I1, I2, I3).
- Power:
 - Active power (W): total and per phase
 - Reactive power (VAR): total
 - Apparent power (VA): total.
- Frequency (Hz)
- Power factor
- Voltage loss alarm:
 - PowerTag Energy sends a "voltage loss" alarm and the current-per-phase value before being de-energized
 - At 'voltage loss', PowerTag adds an overload alarm if the current is higher than the rated current of the associated protective device.

Note: functions listed above depends on Concentrators/Gateways.

Description	Reference
PowerTag Monoconnect M250 3P: suitable for GV5 up to 220 A	LV434020
PowerTag Monoconnect M630 3P: suitable for GV6 up to 500 A	LV434022

Installation

The module is self-powered and is installed for fixed devices directly on the bottom side of the circuit breaker or Vigi add-on terminals. For plug-in devices, it has to be installed on the base itself, top or bottom.

PowerTag Energy M250/M630 3P has to be used with 3P devices, and an external neutral voltage tap is provided in case of the installation has a neutral to provide phase-to-neutral voltages, active energy per phase and power per phase. PowerTag Energy M250/M630 3P + N has to be used with 4P devices and with Compact INS/INV switches.

In case of retrofit, following points have to be checked:

- Clearance to be able to add PowerTag Energy module and to respect bending radius of cables.
- Condition of power connectors: to be replaced if damaged.
- Tightening torques depending on the connector used.



Scan or Click to download:

> PowerLogic - PowerTag Energy - Selection guide



Motor
circuit
breakers



LV434020



LV434022

PowerLogic™ Energy measurement solutions

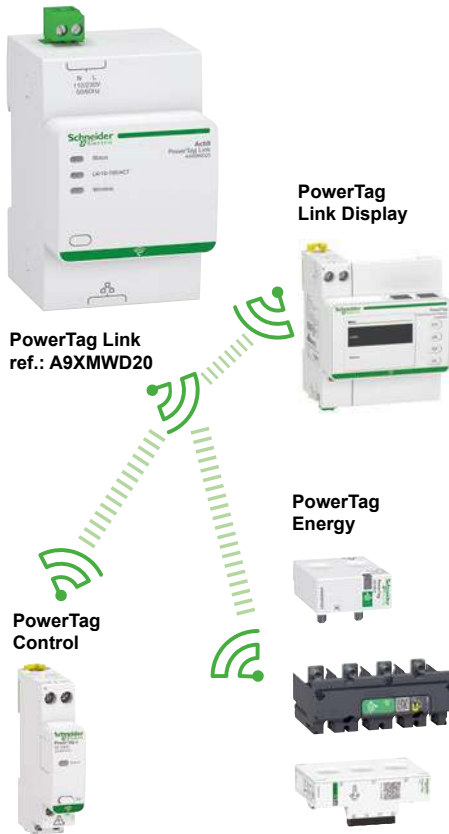
PowerTag™ Link

Ethernet Connection Concentrator for PowerTag Energy sensors



Characteristics:
p. B6/157

Dimensions:
p. B6/157



Energy measurement – PowerLogic

PowerTag Link

Ethernet connection concentrator (Modbus TCP/IP) for wireless devices with data display web pages.

The associated PowerTag Energy sensors allow alarms to be managed via email for terminal loads, and energy, power, current and voltage to be measured accurately in real time.

The associated PowerTag Control modules are designed to monitor and control a circuit and notify wirelessly to the concentrator the information status of a contact (OF, SD, CT or TL position indication...).

The associated PowerTag Link Display allows user to visualize data from energy sensors connected to the gateway.

The entire system can easily be installed in existing LV equipments using Multi9/Acti9/Compact NSX type circuit breakers, TeSys and competitor's devices.

Data transmitted:

- Total and partial energy
- Active, apparent and reactive power, phase-to-phase and phase-to-neutral voltage
- Currents I1, I2, I3
- Power factor (cos φ)
- Voltage loss and overload information
- Control order to a circuit
- Information status of a contact.

Functions

PowerTag Link permits:

- Concentration of PowerTag Energy wireless sensor data
- Ethernet connection via the RJ45 port
- Load monitoring:
 - alarm sent by the energy sensor in the event of a voltage loss,
 - pre-alarms on predefined thresholds (50 %, 80 %) or customized thresholds (thresholds on currents, power, voltages and cumulative energies),
 - load running time counter,
 - power synthesis (kW),
 - Alarm management on current/voltage/load level thresholds by e-mail,
 - Send control orders to PowerTag Control output to operate a load remotely and get load status thanks to feedback loop on associated input,
 - Collect status of contact from PowerTag Control input,
 - Display of alarms and pre-alarms on PowerTag Link embedded web pages,
 - Easy integration into system with Com'X 200, Com'X 510 and other Schneider Electric software and third-party Building Management Systems (BMS) thanks to EcoStruxure Power Commission report in pdf format. This report provides dynamically all the Modbus registers and associated meanings for an easy integration into the system,
 - Remote metering capability using the PowerTag Link monitoring page,
 - Send measured data and alarms to the PowerTag Link Display that can be installed locally.

Description	Reference
PowerTag Link	A9XMWD20

Installation

- On DIN rail (width 54 mm).
- 230 V AC power supply.

Testing and start-up

Pairing of wireless devices must be performed via the EcoStruxure Power Commission software, freely available by downloading.

- The software makes it possible, in particular, to attribute to each circuit a name, a use and the current rating (useful for alarms).

Commissioning software: EcoStruxure Power Commission ⁽¹⁾

- Configuration and communication test of wireless devices
- Editing of a complete test report (pdf) with the Modbus communication registers for easy integration into a supervision system
- Windows XP, Windows 7, Windows 8 and Windows 10 compatible
- Downloadable from:
https://www.schneider-electric.com/ww/en/download/document/Ecoreach_Installer

(1) new name of Ecoreach software.



Scan or Click to download:

> PowerLogic - PowerTag Energy - Selection guide



TeSys Modular circuit breakers

0.5 to 20 A

(for equipment and control circuits)



Motor
circuit
breakers

TeSys Power

Modular circuit breakers for auxiliary circuits - Thermal-magnetic

Introduction



GB2CB



GB2CD



GB2DB



GB2CS

Motor
circuit
breakers

Introduction

Modular thermal-magnetic circuit breakers protect and isolate the control circuits of industrial equipment with contactor coils, transformers....

They protect and isolate single-phase auxiliary circuits such as solenoid valves, electro-brakes, battery chargers, supplied from the control circuit voltage.

Ref. GB2CB, GB2CD, GB2DB

12 ratings are available, from 0.5 to 20 A, in single-pole (GB2CB), single-pole + neutral (GB2CD) and 2-pole (GB2DB) versions.

They have a magnetic tripping threshold set at between 12 and 16 In to withstand the current peaks generated by many industrial components.

Ref. GB2CS

2 ratings are available, 0.5 and 1 A, in single-pole version.

The magnetic tripping threshold is set between 5 and 7 In.

Functions, installation

Clip-on fixing onto all types of 35 mm \perp rails, on \perp rails and on Telequick mounting plates.

Upstream and downstream marking by means of AB1 clip-in markers.

Clear indication of "I" and "O" positions on the operator.

Tamper-proof device which requires no special maintenance (fixed magnetic and thermal tripping thresholds).

Selection for the protection of circuits supplied by transformers

Single-phase transformers.

Magnetising peak: 20 In.

Operation of magnetic trips: 13 In.

Power VA	Primary ⁽¹⁾		Secondary			
	220/240 V	380/415 V	24 V	48 V	110 V	220 V
40	GB2DB05	GB2DB05	GB2CD07	GB2CD06	GB2CD05	GB2CD05
63	GB2DB05	GB2DB05	GB2CD08	GB2CD07	GB2CD06	GB2CD05
100	GB2DB06	GB2DB05	GB2CD10	GB2CD07	GB2CD06	GB2CD05
160	GB2DB07	GB2DB06	GB2CD14	GB2CD09	GB2CD07	GB2CD06
250	GB2DB07	GB2DB06	GB2CD16	GB2CD12	GB2CD08	GB2CD07
400	GB2DB08	–	–	GB2CD14	GB2CD09	GB2CD07
630	GB2DB10	GB2DB08	–	GB2CD21	GB2CD12	GB2CD08
1000	GB2DB14	GB2DB09	–	–	GB2CD16	GB2CD10
1600	GB2DB20	GB2DB14	–	–	–	GB2CD14
2000	GB2DB21	GB2DB14	–	–	–	GB2CD16
2500	–	GB2DB20	–	–	–	GB2CD20
3000	–	GB2DB20	–	–	–	GB2CD21
4000	–	GB2DB21	–	–	–	–

(1) If the breaking capacity of the GB2 is insufficient, use a GV2RT with 2 poles connected in series.



Characteristics:
p. B6/160 to B6/162

Dimensions:
p. B6/163

GB2CB00_image.eps



GB2CB●●

Circuit breakers with magnetic tripping threshold: 12 to 16 In

Single-pole

Conventional rated thermal current Ith ⁽¹⁾	Magnetic tripping current Id ± 20 %	Sold in lots of	Unit reference
A	A		
0.5	6.6	6	GB2CB05
1	14	6	GB2CB06
2	26	6	GB2CB07
3	40	6	GB2CB08
4	52	6	GB2CB09
5	66	6	GB2CB10
6	83	6	GB2CB12
8	108	6	GB2CB14
10	138	6	GB2CB16
12	165	6	GB2CB20
16	220	6	GB2CB21

GB2CD07_image.eps



GB2CD●●

Single-pole + neutral

Conventional rated thermal current Ith ⁽¹⁾	Magnetic tripping current Id ± 20 %	Sold in lots of	Unit reference
A	A		
0.5	6.6	6	GB2CD05
1	14	6	GB2CD06
2	26	6	GB2CD07
3	40	6	GB2CD08
4	52	6	GB2CD09
5	66	6	GB2CD10
6	83	6	GB2CD12
8	108	6	GB2CD14
10	138	6	GB2CD16
12	165	6	GB2CD20
16	220	6	GB2CD21

GB2DB16_image.eps



GB2DB●●

2-pole

Conventional rated thermal current Ith ⁽¹⁾	Magnetic tripping current Id ± 20 %	Sold in lots of	Unit reference
A	A		
0.5	6.6	3	GB2DB05
1	14	3	GB2DB06
2	26	3	GB2DB07
3	40	3	GB2DB08
4	50	3	GB2DB09
5	66	3	GB2DB10
6	83	3	GB2DB12
8	108	3	GB2DB14
10	138	3	GB2DB16
12	165	3	GB2DB20
16	220	3	GB2DB21

(1) Conforming to IEC 60947-1.

Motor
circuit
breakers

TeSys Power

Modular circuit breakers for auxiliary circuits - Thermal-magnetic

Product references



Characteristics:
p. B6/160 to B6/162

Dimensions:
p. B6/163

Circuit breakers with magnetic tripping threshold: 5 to 7 In

GB2CS05_image.eps



GB2CS●●

Single-pole			
Conventional rated thermal current Ith ⁽¹⁾	Magnetic tripping current Id ± 20 %	Sold in lots of	Unit reference
A	A		
0.5	3.3	6	GB2CS05
1	6	6	GB2CS06

⁽¹⁾ Conforming to IEC 60947-1.

Motor
circuit
breakers

TeSys Power

Deca, Giga and Modular Motor circuit breakers


Product references

29450	GV2LE06	GV2P05	GV4AE11
29452	GV2LE07	GV2P06	GV4APN01
GB2CB05	GV2LE08	GV2P07	GV4APN02
GB2CB06	GV2LE10	GV2P08	GV4APN04
GB2CB07	GV2LE14	GV2P10	GV4AS027
GB2CB08	GV2LE16	GV2P14	GV4AS057
GB2CB09	GV2LE20	GV2P16	GV4AS137
GB2CB10	GV2LE22	GV2P20	GV4AS287
GB2CB12	GV2LE32	GV2P21	GV4AS487
GB2CB14	GV2ME01	GV2P22	GV4AU027
GB2CB16	GV2ME013	GV2P32	GV4AU057
GB2CB20	GV2ME016	GV2PC01	GV4AU137
GB2CB21	GV2ME01AP	GV2PC02	GV4AU247
GB2CD05	GV2ME02	GV2RT03	GV4AU286
GB2CD06	GV2ME023	GV2RT04	GV4AU415
GB2CD07	GV2ME02AP	GV2RT05	GV4AU486
GB2CD08	GV2ME03	GV2RT053	GV4G66
GB2CD09	GV2ME033	GV2RT06	GV4L02N
GB2CD10	GV2ME036	GV2RT07	GV4L02N6
GB2CD12	GV2ME03AP	GV2RT073	GV4L03N
GB2CD14	GV2ME04	GV2RT08	GV4L03N6
GB2CD16	GV2ME043	GV2RT10	GV4L07N
GB2CD20	GV2ME046	GV2RT14	GV4L07N6
GB2CD21	GV2ME04AP	GV2RT16	GV4L115B
GB2CS05	GV2ME05	GV2RT20	GV4L115B6
GB2CS06	GV2ME053	GV2RT21	GV4L115N
GB2DB05	GV2ME056	GV2SN14	GV4L115N6
GB2DB06	GV2ME05AP	GV2SN15	GV4L115S
GB2DB07	GV2ME06	GV2SN17	GV4L12N
GB2DB08	GV2ME063	GV2SN35	GV4L12N6
GB2DB09	GV2ME066	GV2SN37	GV4L25B
GB2DB10	GV2ME06AP	GV2V03	GV4L25B6
GB2DB12	GV2ME07	GV3A02	GV4L25N
GB2DB14	GV2ME073	GV3A03	GV4L25N6
GB2DB16	GV2ME076	GV3A08	GV4L50B
GB2DB20	GV2ME07AP	GV3A09	GV4L50B6
GB2DB21	GV2ME08	GV3APK01	GV4L50N
GK2AF01	GV2ME083	GV3APN01	GV4L50N6
GK2AX50	GV2ME086	GV3D22	GV4L80B
GV1F03	GV2ME08AP	GV3G66	GV4L80B6
GV1G02	GV2ME10	GV3L25	GV4L80N
GV1L3	GV2ME103	GV3L32	GV4L80N6
GV1V02	GV2ME106	GV3L326	GV4L80S
GV2AF01	GV2ME10AP	GV3L40	GV4LE02N
GV2AF02	GV2ME14	GV3L50	GV4LE02N6
GV2AF3	GV2ME143	GV3L65	GV4LE02S
GV2AF4	GV2ME146	GV3L73	GV4LE02S6
GV2AF5	GV2ME14AP	GV3L80	GV4LE03N
GV2AP04	GV2ME16	GV3P13	GV4LE03N6
GV2APK01	GV2ME163	GV3P18	GV4LE03S
GV2APN01	GV2ME166	GV3P25	GV4LE03S6
GV2APN02	GV2ME16AP	GV3P256	GV4LE07N
GV2APN03	GV2ME20	GV3P32	GV4LE07N6
GV2APN04	GV2ME203	GV3P321	GV4LE07S
GV2APN10	GV2ME206	GV3P40	GV4LE07S6
GV2CP21	GV2ME20AP	GV3P401	GV4LE115B
GV2GH7	GV2ME21	GV3P406	GV4LE115B6
GV2L03	GV2ME213	GV3P50	GV4LE115N
GV2L04	GV2ME216	GV3P501	GV4LE115N6
GV2L05	GV2ME21AP	GV3P506	GV4LE115S
GV2L06	GV2ME22	GV3P65	GV4LE115S6
GV2L07	GV2ME223	GV3P651	GV4LE12N
GV2L08	GV2ME226	GV3P656	GV4LE12N6
GV2L10	GV2ME22AP	GV3P73	GV4LE12S
GV2L14	GV2ME32	GV3P731	GV4LE12S6
GV2L16	GV2ME323S	GV3P736	GV4LE25B
GV2L20	GV2ME326	GV3P80	GV4LE25B6
GV2L22	GV2ME32AP	GV3PC01	GV4LE25N
GV2L32	GV2P01	GV3PC02	GV4LE25N6
GV2LE03	GV2P02	GV4ADM1111	GV4LE25S
GV2LE04	GV2P03	GV4ADN01	GV4LE25S6
GV2LE05	GV2P04	GV4ADN02	GV4LE50B

Motor
circuit
breakers

This document is current.  Click on the product reference to get the most recent availability status (hyperlink to [se.com](https://www.se.com) product datasheet).
If your product variant is no longer available, please consult your distributor or regional sales office.

GV4LE50B6	GV4PB80S	GV4PEM115S	GVAED101
GV4LE50N	GV4PE02N	GV4PEM115S6	GVAED1013
GV4LE50N6	GV4PE02N6	GV4PEM12N	GVAM11
GV4LE50S	GV4PE02S	GV4PEM12N6	GVAN11
GV4LE50S6	GV4PE02S6	GV4PEM12S	GVAN113
GV4LE80B	GV4PE03N	GV4PEM12S6	GVAN20
GV4LE80B6	GV4PE03N6	GV4PEM25B	GVAN203
GV4LE80N	GV4PE03S	GV4PEM25B6	GVAPBPHP
GV4LE80N6	GV4PE03S6	GV4PEM25N	GVAPH02
GV4LE80S	GV4PE07N	GV4PEM25N6	GVAPK11
GV4LE80S6	GV4PE07N6	GV4PEM25S	GVAPYPHP
GV4LUG	GV4PE07S	GV4PEM25S6	GVAS025
GV4P02N	GV4PE07S6	GV4PEM50B	GVAS026
GV4P02N6	GV4PE115B	GV4PEM50B6	GVAS055
GV4P03N	GV4PE115B6	GV4PEM50N	GVAS115
GV4P03N6	GV4PE115N	GV4PEM50N6	GVAS116
GV4P07N	GV4PE115N6	GV4PEM50S	GVAS207
GV4P07N6	GV4PE115S	GV4PEM50S6	GVAS225
GV4P115B	GV4PE115S6	GV4PEM80B	GVAS226
GV4P115B6	GV4PE12N	GV4PEM80B6	GVAS385
GV4P115N	GV4PE12N6	GV4PEM80N	GVAS415
GV4P115N6	GV4PE12S	GV4PEM80N6	GVAU025
GV4P115S	GV4PE12S6	GV4PEM80S	GVAU055
GV4P12N	GV4PE25B	GV4PEM80S6	GVAU115
GV4P12N6	GV4PE25B6	GV5AP03	GVAU116
GV4P25B	GV4PE25N	GV5P150F	GVAU125
GV4P25B6	GV4PE25N6	GV5P150H	GVAU207
GV4P25N	GV4PE25S	GV5P220F	GVAU225
GV4P25N6	GV4PE25S6	GV5P220H	GVAU226
GV4P50B	GV4PE50B	GV6AP03	GVAU385
GV4P50B6	GV4PE50B6	GV6P320F	GVAU386
GV4P50N	GV4PE50N	GV6P320H	GVAU415
GV4P50N6	GV4PE50N6	GV6P500F	GVAU416
GV4P80B	GV4PE50S	GV6P500H	GVAU505
GV4P80B6	GV4PE50S6	GV7AC01	GVAX115
GV4P80N	GV4PE80B	GV7AC021	GVAX116
GV4P80N6	GV4PE80B6	GV7AC022	GVAX225
GV4P80S	GV4PE80N	GV7AC03	GVAX226
GV4PB02N	GV4PE80N6	GV7AC04	GVAX385
GV4PB02S	GV4PE80S	GV7AC05	GVAX386
GV4PB03N	GV4PE80S6	GV7AC06	GVAX415
GV4PB03S	GV4PEM02N	GV7AC08	LA9E07
GV4PB07N	GV4PEM02N6	GV7AP01	LAD311
GV4PB07S	GV4PEM02S	GV7AP02	LAD96590
GV4PB115B	GV4PEM02S6	GV7AP04	LAD96595
GV4PB115N	GV4PEM03N	GV7AP05	LV429385
GV4PB115S	GV4PEM03N6	GVAD0101	LV429386
GV4PB12N	GV4PEM03S	GVAD0110	LV429387
GV4PB12S	GV4PEM03S6	GVAD1001	LV429388
GV4PB25B	GV4PEM07N	GVAD1010	LV429405
GV4PB25N	GV4PEM07N6	GVAE1	LV429406
GV4PB25S	GV4PEM07S	GVAE11	LV429407
GV4PB50B	GV4PEM07S6	GVAE113	LV429408
GV4PB50N	GV4PEM115B	GVAE20	
GV4PB50S	GV4PEM115B6	GVAE203	
GV4PB80B	GV4PEM115N	GVAED011	
GV4PB80N	GV4PEM115N6	GVAED0113	

This document is current.  Click on the product reference to get the most recent availability status (hyperlink to [se.com](https://www.se.com) product datasheet).
If your product variant is no longer available, please consult your distributor or regional sales office.

Technical Data for Designers

Deca - Frame 2:

- > characteristicsB6/72 to B6/76
- > curvesB6/77 to B6/86
- > characteristics - accessoriesB6/87 to B6/89
- > dimensions, schemesB6/90 to B6/99

Deca - Frame 3:

- > characteristicsB6/102 to B6/105
- > curvesB6/106 to B6/111
- > characteristics - accessoriesB6/112 to B6/114
- > dimensions, schemesB6/115 to B6/117

Deca - Frame 4:

- > characteristicsB6/120 to B6/123
- > curvesB6/124 to B6/131
- > characteristics - accessoriesB6/132 to B6/133
- > dimensions, schemesB6/134 to B6/137

Giga - Frame 5 - Frame 6:

- > characteristics B6/140
- > curvesB6/141 to B6/143
- > characteristics - accessoriesB6/144 to B6/145
- > dimensions, schemesB6/146 to B6/152

PowerTag Energy sensors:

- > PowerTag Energy Flex 63 A B6/154
- > PowerTag Energy Flex 160 A B6/155
- > PowerTag Energy Monoconnect 250 A B6/156
- > PowerTag Energy Link B6/157

Modular:

- > characteristicsB6/160 to B6/162
- > dimensions, schemes B6/163

TeSys Deca - Frame 2 0.06 to 15 kW



Motor
circuit
breakers

TeSys Power

Deca - Frame 2 Motor circuit breakers

Characteristics



References:
p. B6/11 to B6/18

Curves:
p. B6/77 to B6/86

Dimensions:
p. B6/90 to B6/98

Schemes:
p. B6/99

Environment								
Circuit breaker type			GV2L	GV2LE	GV2ME	GV2P	GV2RT	
Conforming to standards			IEC/EN 60947-4-1, IEC/EN 60947-2					
Product certifications			CSA C22.2 n°60947-4-1 ⁽¹⁾ , UL 60947-4-1					
Climatic withstand			According to IACS E10					
Degree of protection (front face)	Conforming to IEC 60529	Open mounted In enclosure	Against direct finger contact: IP20					
Shock resistance		Conforming to IEC 60068-2-27	30 gn - 11 ms					
Vibration resistance		Conforming to IEC 60068-2-6	5 gn (5 to 150 Hz)					
Ambient air temperature		Storage	°C -40...+80					
		Operation	Open mounted	°C -20...+60				
			In enclosure	°C -20...+40				
Temperature compensation		Open mounted	°C -20...+60					
		In enclosure	°C -20...+40					
Flame resistance		Conforming to IEC 60695-2-11	°C 960					
Maximum operating altitude			m 2000					
Suitable for isolation		Conforming to IEC 60947-1 § 8.1.7	Yes					
Resistance to mechanical impact		J	0.5 IK04					
Sensitivity to phase failure			Yes, conforming to IEC 60947-4-1 § 8-2-1-5-2 for GV2ME & GV2P					
Technical characteristics								
Circuit breaker type			GV2L	GV2LE	GV2ME	GV2P	GV2RT	
Utilisation category		Conforming to IEC 60947-2	A					
		Conforming to IEC 60947-4-1	AC3/AC-3e					
Rated operational voltage (Ue)		Conforming to IEC 60947-2	V 690					
Rated insulation voltage (Ui)		Conforming to IEC 60947-2	V 690					
Rated voltage		Conforming to UL 60947-4-1	V - - 600 600 600					
		CSA C 22.2 n° 60947-4-1	480	480	600	600	600	
Rated operational frequency		Conforming to IEC 60947-4-1 UL, CSA	Hz 50/60					
Rated impulse withstand voltage (U imp)		Conforming to IEC 60947-2	kV 6					
Total power dissipated per pole			W 1.8 2.5					
Mechanical durability (C.O.: Closing, Opening)			C.O. 100 000					
Electrical durability for AC-3e/415V duty (C.O.: Closing, Opening)		415 V In	C.O. 100 000					
Duty class (maximum operating rate)			C.O./h 40 25					
Maximum conventional rated thermal current (Ith)		Conforming to IEC 60947-4-1	A	0.4...32	0.4...32	0.16...32	0.16...32	0.40...23
Rated duty		Conforming to IEC 60947-4-1	Continuous duty					

⁽¹⁾ GV2L03 to GV2L22, GV2LE03 to GV2LE22.

⁽²⁾ UL 60947-4-1 type E for GV2P●● (except 32 A).

TeSys Power

Deca - Frame 2 Motor circuit breakers

Characteristics



References:
p. B6/11 to B6/18

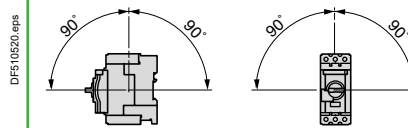
Curves:
p. B6/77 to B6/86

Dimensions:
p. B6/90 to B6/98

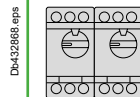
Schemes:
p. B6/99

Mounting characteristics

Operating position
Without derating, in relation to normal vertical mounting plane ⁽¹⁾



Products side by side



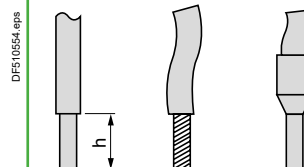
When several products **GV2ME●●**, **GV2P●●**, **GV2RT●●** are mounted side by side, the thermal trip setting I_r maybe need to be adjusted up to $1.1 \times I_n$.

Do not exceed the maximum thermal setting I_r .
E.g: **GV2ME14**, thermal setting range: 6...10, do not adjust I_r above 10 A.

Connection characteristics

Connection to screw clamp terminals or spring terminals

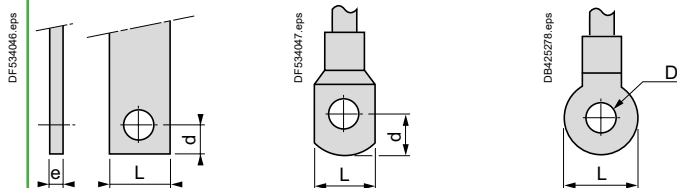
Bare cables



Circuit breaker type		GV2L		GV2LE		GV2ME		GV2P		GV2RT		
Connection to screw clamp terminals (Max. number of conductors x c.s.a.)		Min.	Max.	Min.	Max.	Min.	Max.	Min.	Max.	Min.	Max.	
Solid cable	mm ²	2 x 1	2 x 6	2 x 1	2 x 6	2 x 1	2 x 6	2 x 1	2 x 6	2 x 1	2 x 6	
	mm ²	2 x 1.5	2 x 6	2 x 1.5	2 x 6	2 x 1.5	2 x 6	2 x 1.5	2 x 6	2 x 1.5	2 x 6	
	mm ²	2 x 1	2 x 4	2 x 1	2 x 4	2 x 1	2 x 4	2 x 1	2 x 4	2 x 1	2 x 4	
Flexible cable without cable end		mm ²	2 x 1.5	2 x 6	2 x 1.5	2 x 6	2 x 1.5	2 x 6	2 x 1.5	2 x 6	2 x 1.5	2 x 6
Flexible cable with cable end		mm ²	2 x 1	2 x 4	2 x 1	2 x 4	2 x 1	2 x 4	2 x 1	2 x 4	2 x 1	2 x 4
Tightening torque		N.m	1.7									
Connection to spring terminals (Max. number of conductors x c.s.a.)	Solid cable	mm ²	-	-	-	-	2 x 1	2 x 6	-	-	-	-
	Flexible cable without cable end	mm ²	-	-	-	-	2 x 1.5	2 x 4	-	-	-	-

Connection by bars or lugs

Bars or lugs



Circuit breaker type		GV2ME●●6	
Pitch	Without spreaders	mm	13.5
	With spreaders	mm	-
Bars or cables with lugs	e	mm	≤ 2
	L	mm	≤ 9.5
	d	mm	≤ 5
	D	mm	≤ 4
Screws			M4
	Tightening torque	N.m	1.7
Bare cables (copper or aluminium) with connectors	Height (h)	mm	-
	C.s.a.	mm ²	-
	Tightening torque	N.m	-

⁽¹⁾ When mounting on a vertical rail, fit a stop to prevent any slippage.

Motor
circuit
breakers

TeSys Power

Deca - Frame 2 Motor circuit breakers - Magnetic

Characteristics



References:
p. B6/12 to B6/13

Curves:
p. B6/77 to B6/86

Dimensions:
p. B6/90 to B6/98

Schemes:
p. B6/99

Breaking capacity of GV2L and GV2LE

Circuit breaker type			GV2LE										GV2L										
			03 to 06	07	08	10	14	16	20	22	32	03 to 05	06 & 07	08	10	14	16	20	22	32			
Rating		A	0.4 to 1.6	2.5	4	6.3	10	14	18	25	32	0.4 to 1	1.6 to 2.5	4	6.3	10	14	18	25	32			
Breaking capacity conforming to IEC 60947-2	230/240 V	Icu	kA	*	*	*	*	*	*	*	50	50	*	*	*	*	*	*	50	50			
		Ics % ⁽¹⁾		*	*	*	*	*	*	*	100	100	*	*	*	*	*	*	100	100			
	400/415 V	Icu	kA	*	*	*	*	*	15	15	15	10	*	*	*	*	*	50	50	50	50		
		Ics % ⁽¹⁾		*	*	*	*	*	50	50	40	50	*	*	*	*	*	50	50	50	50		
	440 V	Icu	kA	*	*	*	50	15	8	8	6	6	*	*	*	*	*	20	20	20	20		
		Ics % ⁽¹⁾		*	*	*	100	100	50	50	50	50	*	*	*	*	*	75	75	75	75		
	500 V	Icu	kA	*	*	*	50	10	6	6	4	4	*	*	*	*	*	10	10	10	10		
		Ics % ⁽¹⁾		*	*	*	100	100	75	75	75	75	*	*	*	*	*	100	75	75	75		
	690 V	Icu	kA	*	3	3	3	3	3	3	3	3	*	4	4	4	4	4	4	4	4		
		Ics % ⁽¹⁾		*	75	75	75	75	75	75	75	75	*	100	100	100	100	100	100	100	100		
Associated fuses (if required) if Isc > breaking capacity Icu conforming to IEC 60947-2 amendment 1	230/240 V	aM	A	*	*	*	*	*	*	*	80	80	*	*	*	*	*	*	100	100			
		gG	A	*	*	*	*	*	*	*	100	100	*	*	*	*	*	*	125	125			
	400/415 V	aM	A	*	*	*	*	*	63	63	80	80	*	*	*	*	*	80	100	100	100		
		gG	A	*	*	*	*	*	80	80	100	100	*	*	*	*	*	100	125	125	125		
	440 V	aM	A	*	*	*	50	50	50	50	63	63	*	*	*	*	*	50	63	80	80		
		gG	A	*	*	*	63	63	63	63	80	80	*	*	*	*	*	63	80	100	100		
	500 V	aM	A	*	*	*	50	50	50	50	50	50	*	*	*	*	*	50	50	50	50		
		gG	A	*	*	*	63	63	63	63	63	63	*	*	*	*	*	63	63	63	63		
	690 V	aM	A	*	16	25	32	32	40	40	40	40	*	20	25	40	40	50	50	50	50		
		gG	A	*	20	32	40	40	50	50	50	50	*	25	32	50	50	63	63	63	63		
Cable protection against thermal stress in the event of short-circuit (PVC insulated copper cables) Minimum c.s.a. protected at 40 °C and at Isc max.	1 mm ²		kA	●	●	●	≤10	≤6	⁽²⁾	⁽²⁾	⁽²⁾	⁽²⁾	●	●	●	●	●	≤10	≤6	⁽²⁾	⁽²⁾	⁽²⁾	⁽²⁾
	1.5 mm ²		kA	●	●	●	≤20	≤10	⁽²⁾	⁽²⁾	⁽²⁾	⁽²⁾	●	●	●	●	●	≤20	≤10	⁽²⁾	⁽²⁾	⁽²⁾	⁽²⁾
	2.5 mm ²			●	●	●	●	●	●	●	●	⁽²⁾	●	●	●	●	●	●	●	●	●	●	⁽²⁾
	4...6 mm ²			●	●	●	●	●	●	●	●	●	●	●	●	●	●	●	●	●	●	●	●

* > 100 kA.
 ● Cable c.s.a. protected.
 (1) As % of Icu.
 (2) Cable c.s.a. not protected.

Motor circuit breakers

TeSys Power

Deca - Frame 2 Motor circuit breakers - Thermal-magnetic

Characteristics



References:
p. B6/14 to B6/18

Curves:
p. B6/83 to B6/86

Dimensions:
p. B6/93 to B6/98

Breaking capacity of GV2ME, GV2RT and GV2P

Circuit breaker type			GV2ME and GV2RT										GV2P									
			01 to 06	07	08	10	14	16	20	21 & 22	32	01 to 06	07	08	10	14	16	20	21 & 22	32		
Rating	A		0.1 to 1.6	2.5	4	6.3	10	14	16	18	23 & 25	32	0.1 to 1.6	2.5	4	6.3	10	14	16	18	23 & 25	32
Breaking capacity conforming to IEC 60947-2	230/240 V	Icu	kA	*	*	*	*	*	*	*	50	50	*	*	*	*	*	*	*	*	*	*
		Ics % ⁽¹⁾		*	*	*	*	*	*	*	100	100	*	*	*	*	*	*	*	*	*	*
400/415 V	Icu	kA	*	*	*	*	*	15	15	15	10	10	*	*	*	*	*	*	50	50	50	50
	Ics % ⁽¹⁾		*	*	*	*	*	50	50	40	50	50	*	*	*	*	*	*	50	50	50	50
440 V	Icu	kA	*	*	*	50	15	8	8	6	6	6	*	*	*	*	*	50	20	20	20	20
	Ics % ⁽¹⁾		*	*	*	100	100	50	50	50	50	50	*	*	*	*	*	75	75	75	75	75
500 V	Icu	kA	*	*	*	50	10	6	6	4	4	4	*	*	*	*	50	42	10	10	10	10
	Ics % ⁽¹⁾		*	*	*	100	100	75	75	75	75	75	*	*	*	*	100	75	75	75	75	75
690 V	Icu	kA	*	3	3	3	3	3	3	3	3	3	*	8	8	6	6	6	4	4	4	4
	Ics % ⁽¹⁾		*	75	75	75	75	75	75	75	75	75	*	100	100	100	100	100	100	100	100	100
Associated fuses (if required) if Ics > breaking capacity Icu conforming to IEC 60947-2	230/240 V	aM	A	*	*	*	*	*	*	*	80	80	*	*	*	*	*	*	*	*	*	*
		gG	A	*	*	*	*	*	*	*	100	100	*	*	*	*	*	*	*	*	*	*
400/415 V	aM	A	*	*	*	*	*	63	63	80	80	80	*	*	*	*	*	*	100	100	100	100
	gG	A	*	*	*	*	*	80	80	100	100	100	*	*	*	*	*	*	125	125	125	125
440 V	aM	A	*	*	*	50	50	50	50	63	63	63	*	*	*	*	*	50	63	80	80	80
	gG	A	*	*	*	63	63	63	63	80	80	80	*	*	*	*	*	63	80	100	100	100
500 V	aM	A	*	*	*	50	50	50	50	50	50	50	*	*	*	*	50	50	50	50	50	50
	gG	A	*	*	*	63	63	63	63	63	63	63	*	*	*	*	63	63	63	63	63	63
690 V	aM	A	*	16	25	32	32	40	40	40	40	40	*	20	25	40	40	50	50	50	50	50
	gG	A	*	20	32	40	40	50	50	50	50	50	*	25	32	50	50	63	63	63	63	63

* > 100 kA.
(1) As % of Icu.

Motor circuit breakers

TeSys Power

Deca - Frame 2 Motor circuit breakers - Thermal-magnetic

Characteristics



References:
p. B6/14 to B6/18

Curves:
p. B6/83 to B6/86

Dimensions:
p. B6/93 to B6/98

Breaking capacity of GV2ME, GV2RT and GV2P (used in association with current limiter GV1L3)

Circuit breaker type			GV2ME and GV2RT											
Rating			A	01 to 06 0.1 to 1.6	07 2.5	08 4	10 6.3	14 10	16 14	20 18	21 23	22 25	32 32	
Breaking capacity conforming to IEC 60947-2	230/240 V	Icu	kA	*	*	*	*	*	*	*	*	*	*	
		Ics % ⁽¹⁾		*	*	*	*	*	*	*	*	*	*	*
	400/415 V	Icu	kA	*	*	*	*	*	100	100	100	100	100	
		Ics % ⁽¹⁾		*	*	*	*	*	50	50	40	40	40	
	440 V	Icu	kA	*	*	*	*	*	50	20	20	20	20	
		Ics % ⁽¹⁾		*	*	*	*	*	75	75	75	75	75	
500 V	Icu	kA	*	*	*	*	50	42	10	10	10	10		
	Ics % ⁽¹⁾		*	*	*	*	100	100	75	75	75	75		
Circuit breaker type			GV2P											
Rating			A	01 to 06 0.1 to 1.6	07 2.5	08 4	10 6.3	14 10	16 14	20 18	21 23	22 25	32 32	
Breaking capacity conforming to IEC 60947-2	230/240 V	Icu	kA	*	*	*	*	*	*	*	*	*	*	
		Ics % ⁽¹⁾		*	*	*	*	*	*	*	*	*	*	
	400/415 V	Icu	kA	*	*	*	*	*	*	*	*	*	*	
		Ics % ⁽¹⁾		*	*	*	*	*	*	*	*	*	*	
	440 V	Icu	kA	*	*	*	*	*	100	100	100	100	100	
		Ics % ⁽¹⁾		*	*	*	*	*	50	50	50	50	50	
	500 V	Icu	kA	*	*	*	*	100	100	100	100	100	100	
		Ics % ⁽¹⁾		*	*	*	*	50	50	50	50	50	50	
	690 V ⁽³⁾	Icu = Ics	kA	*	50	50	50	50	50	50	50	50	50	
	Circuit breaker type			GV2ME										
	Rating			A	01 to 06 0.1 to 1.6	07 2.5	08 4	10 6.3	14 10	16 14	20 18	21 23	22 25	32 32
	Cable protection against thermal stress in the event of short-circuit (PVC insulated copper cables)	Minimum c.s.a. protected at 40 °C at Ics max.	1 mm ²		●	●	●	≤ 10 kA	≤ 6 kA	(2)	(2)	(2)	(2)	(2)
1.5 mm ²				●	●	●	≤ 20 kA	≤ 10 kA	(2)	(2)	(2)	(2)	(2)	
2.5 mm ²				●	●	●	●	●	●	●	●	●	●	(2)
4...6 mm ²				●	●	●	●	●	●	●	●	●	●	●

- * > 100 kA.
- Cable c.s.a. protected.
- (1) As % of Icu.
- (2) Cable c.s.a. not protected.
- (3) With limiter LA9LB920.

Motor circuit breakers

TeSys Power

Deca - Frame 2 Motor circuit breakers - Magnetic Curves



References:
p. B6/12 to B6/13

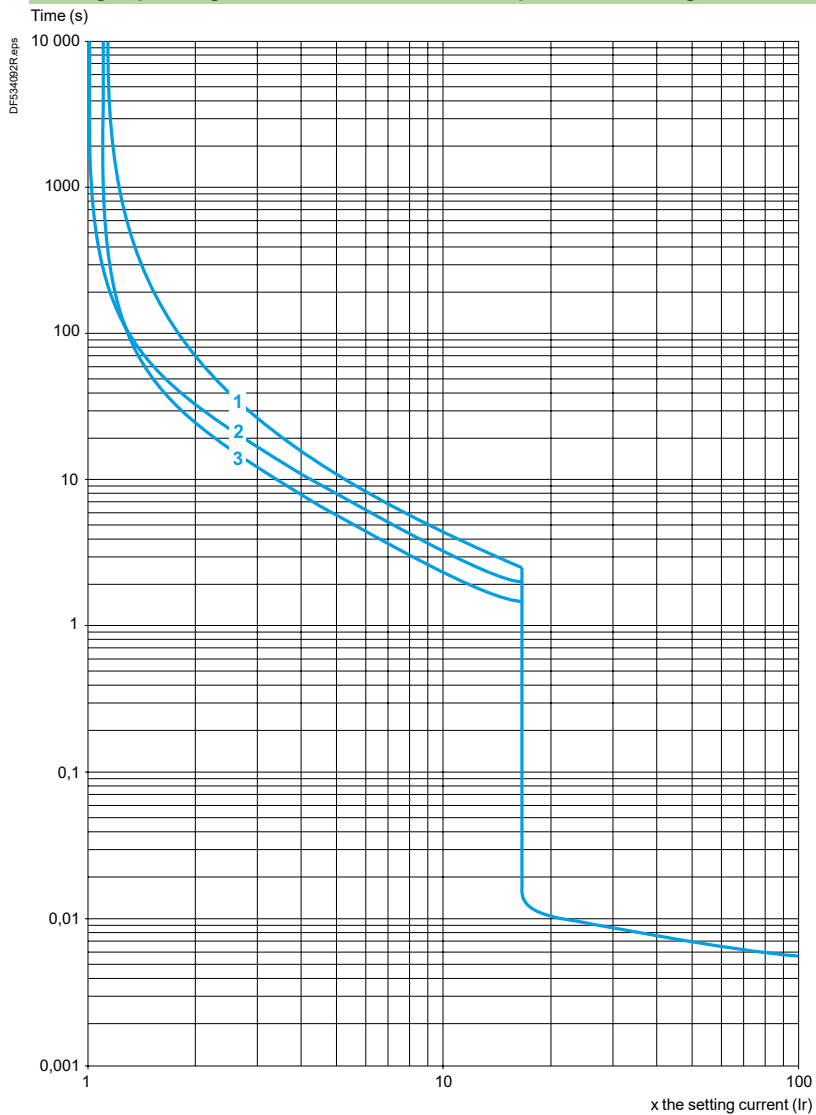
Characteristics:
p. B6/72 to B6/76

Dimensions:
p. B6/90 to B6/92

Schemes:
p. B6/99

Tripping curves for GV2L or LE combined with thermal overload relay LRD or LR2K

Average operating times at 20 °C related to multiples of the setting current



- 1 3 poles from cold state
- 2 2 poles from cold state
- 3 3 poles from hot state

Motor
circuit
breakers

TeSys Power

Deca - Frame 2 Motor circuit breakers - Magnetic Curves



References:
p. B6/12 to B6/13

Characteristics:
p. B6/72 to B6/76

Dimensions:
p. B6/90 to B6/92

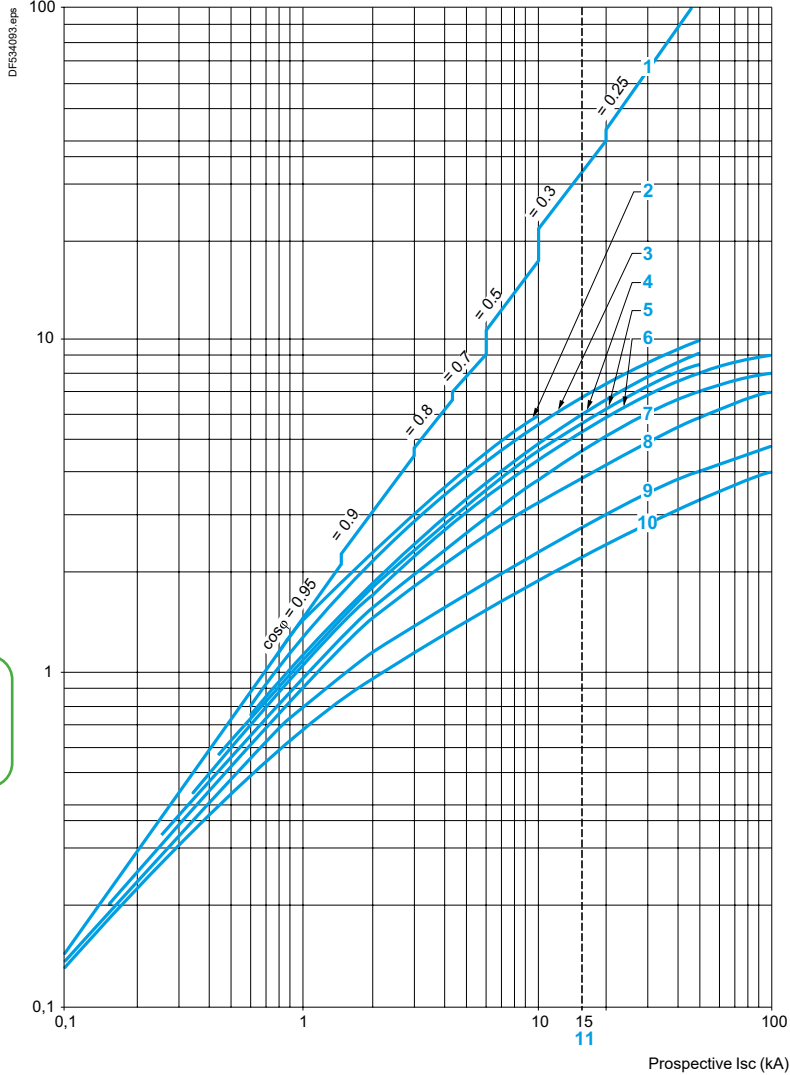
Schemes:
p. B6/99

Current limitation on short-circuit for GV2L and GV2LE only (3-phase 400/415 V)

Dynamic stress

$I_{peak} = f(\text{prospective } I_{sc}) \text{ at } 1.05 U_e = 435 \text{ V}$

Limited peak current (kA)



- 1 Maximum peak current
- 2 32 A
- 3 25 A
- 4 18 A
- 5 14 A
- 6 10 A
- 7 6.3 A
- 8 4 A
- 9 2.5 A
- 10 1.6 A
- 11 Limit of rated ultimate breaking capacity on short-circuit of GV2LE (14, 18, 23 and 25 A ratings).

TeSys Power

Deca - Frame 2 Motor circuit breakers - Magnetic

Curves



References:
p. B6/12 to B6/13

Characteristics:
p. B6/72 to B6/76

Dimensions:
p. B6/90 to B6/92

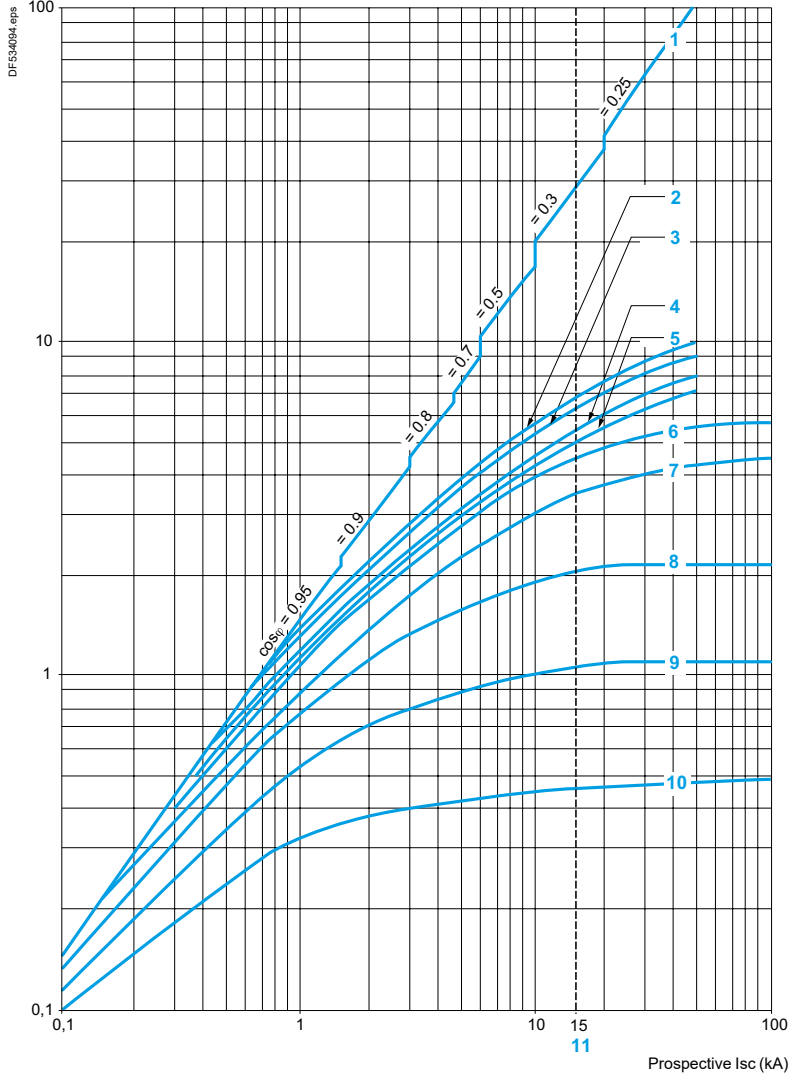
Schemes:
p. B6/99

Current limitation on short-circuit for GV2L and GV2LE + thermal overload relay LRD or LR2K (3-phase 400/415 V)

Dynamic stress

$I_{peak} = f(\text{prospective } I_{sc}) \text{ at } 1.05 U_e = 435 \text{ V}$

Limited peak current (kA)



- 1 Maximum peak current
- 2 32 A
- 3 25 A
- 4 18 A
- 5 14 A
- 6 10 A
- 7 6.3 A
- 8 4 A
- 9 2.5 A
- 10 1.6 A
- 11 Limit of rated ultimate breaking capacity on short-circuit of GV2LE (14, 18, 23 and 25 A ratings).

Motor
circuit
breakers

TeSys Power

Deca - Frame 2 Motor circuit breakers - Magnetic

Curves



References:
p. B6/13

Characteristics:
p. B6/72 to B6/76

Dimensions:
p. B6/90 to B6/92

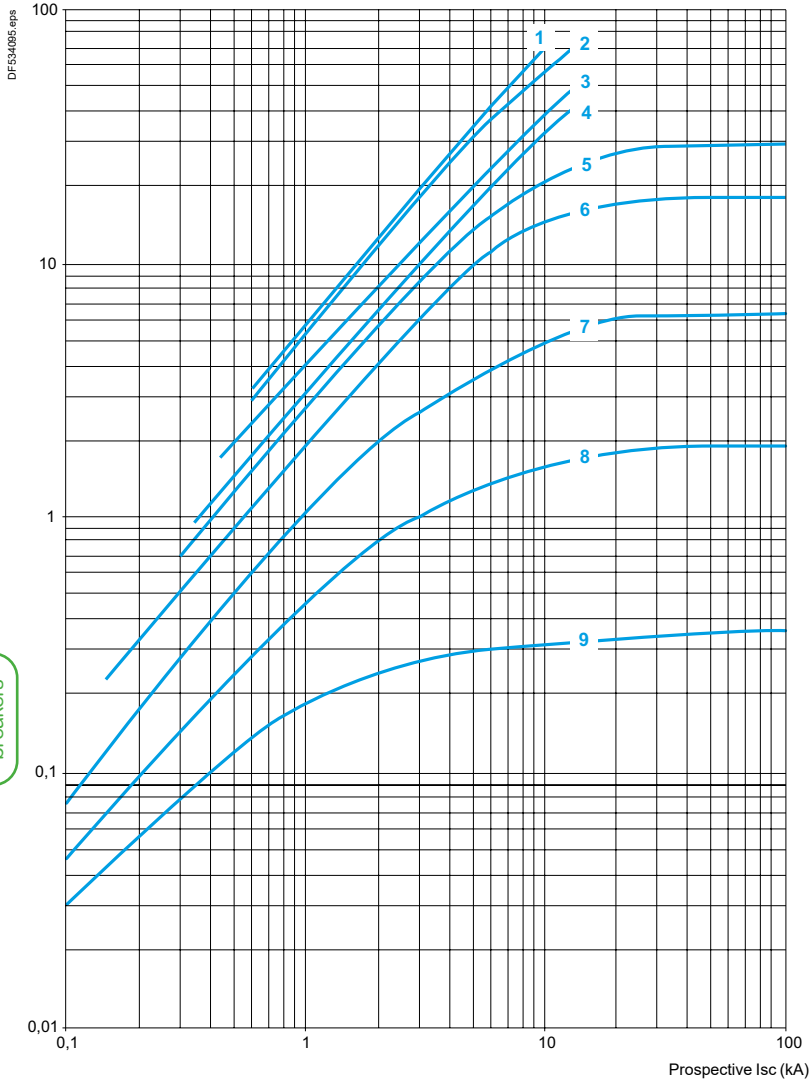
Schemes:
p. B6/99

Thermal limit on short-circuit for GV2LE only

Thermal limit in kA²s in the magnetic operating zone

Sum of $I^2dt = f$ (prospective I_{sc}) at $1.05 U_e = 435 V$

Sum of I^2dt (kA²s)



- 1 32 A
- 2 25 A
- 3 18 A
- 4 14 A
- 5 10 A
- 6 6.3 A
- 7 4 A
- 8 2.5 A
- 9 1.6 A

TeSys Power

Deca - Frame 2 Motor circuit breakers - Magnetic

Curves



References:
p. B6/12

Characteristics:
p. B6/72 to B6/76

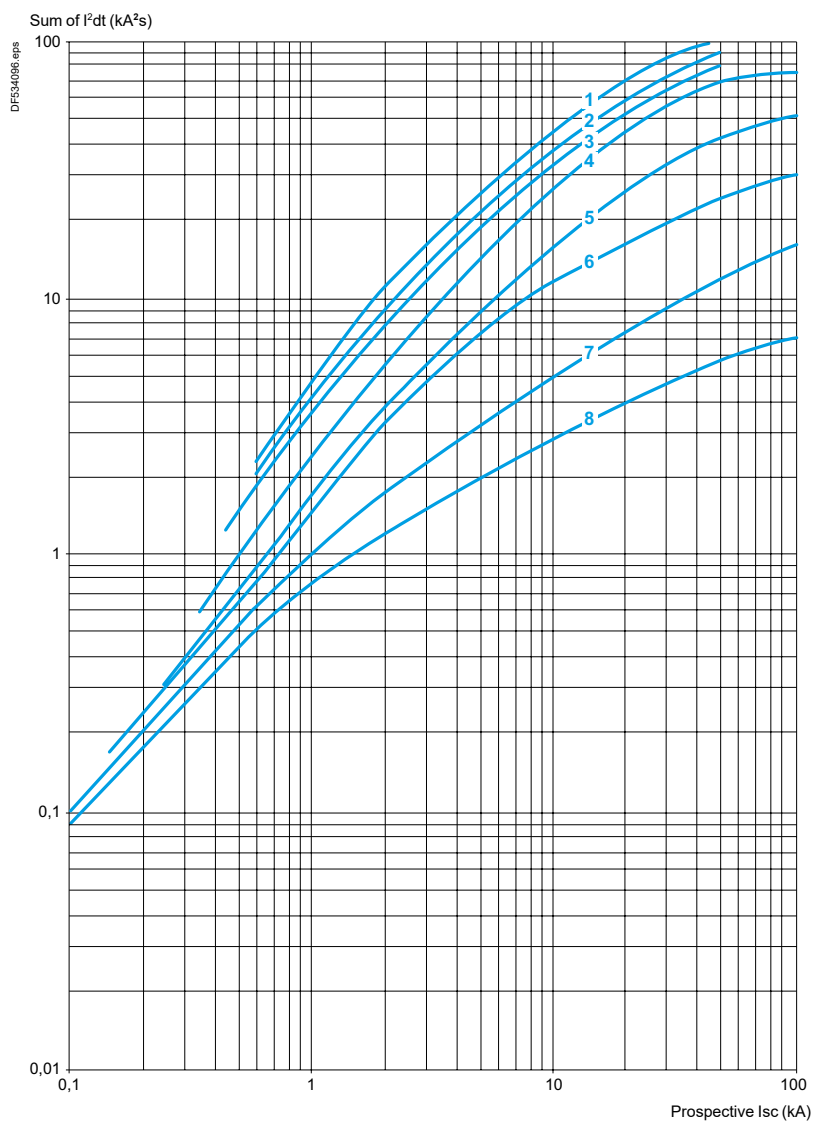
Dimensions:
p. B6/90 to B6/92

Schemes:
p. B6/99

Thermal limit on short-circuit for GV2L only

Thermal limit in kA^2s in the magnetic operating zone

Sum of $I^2dt = f$ (prospective I_{sc}) at $1.05 U_e = 435 \text{ V}$



- 1 25 A and 32 A
- 2 18 A
- 3 14 A
- 4 10 A
- 5 6.3 A
- 6 4 A
- 7 2.5 A
- 8 1.6 A

Motor
circuit
breakers

TeSys Power

Deca - Frame 2 Motor circuit breakers - Magnetic

Curves



References:
p. B6/12 to B6/13

Characteristics:
p. B6/72 to B6/76

Dimensions:
B6/90 to B6/92

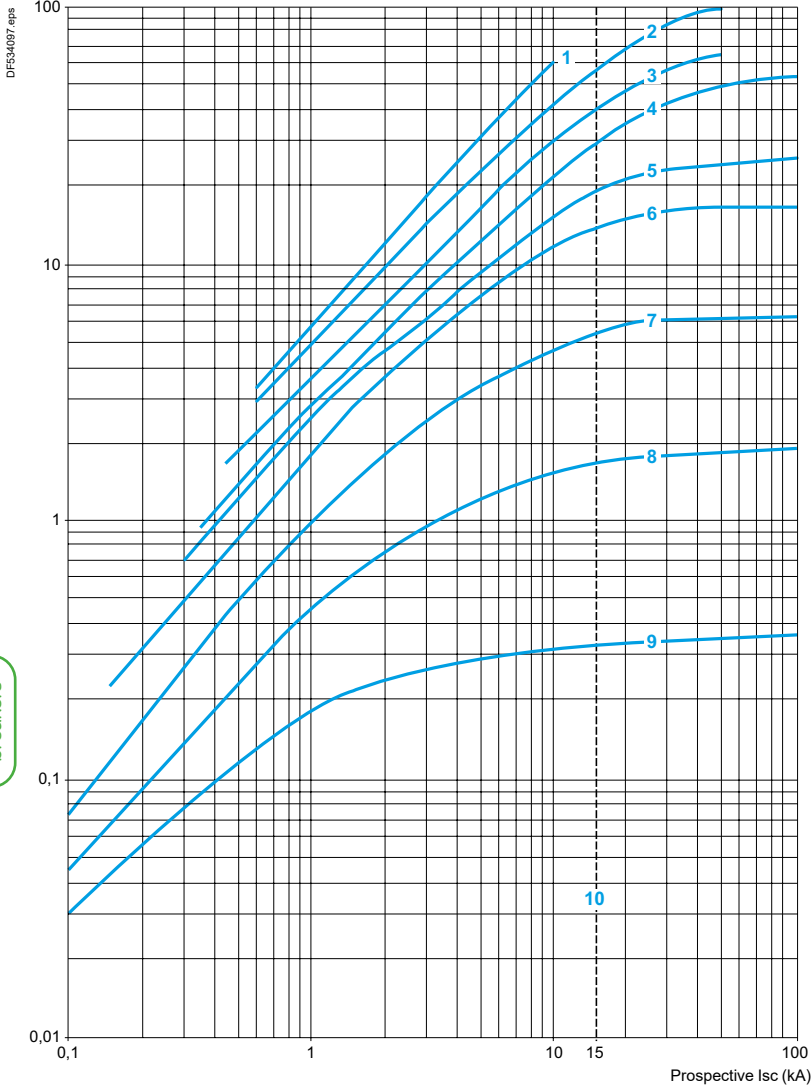
Schemes:
p. B6/99

Thermal limit on short-circuit for GV2L and GV2LE + thermal overload relay LRD or LR2K

Thermal limit in kA²s in the magnetic operating zone

Sum of $I^2dt = f$ (prospective I_{sc}) at $1.05 U_e = 435 V$

Sum of I^2dt (kA²s)



- 1 32 A (GV2LE32)
- 2 25 A and 32 A (GV2L32)
- 3 18 A
- 4 14 A
- 5 10 A
- 6 6.3 A
- 7 4 A
- 8 2.5 A
- 9 1.6 A
- 10 Limit of rated ultimate breaking capacity on short-circuit of GV2LE (14, 18, 23 and 25 A ratings).



References:
p. B6/14 to B6/18

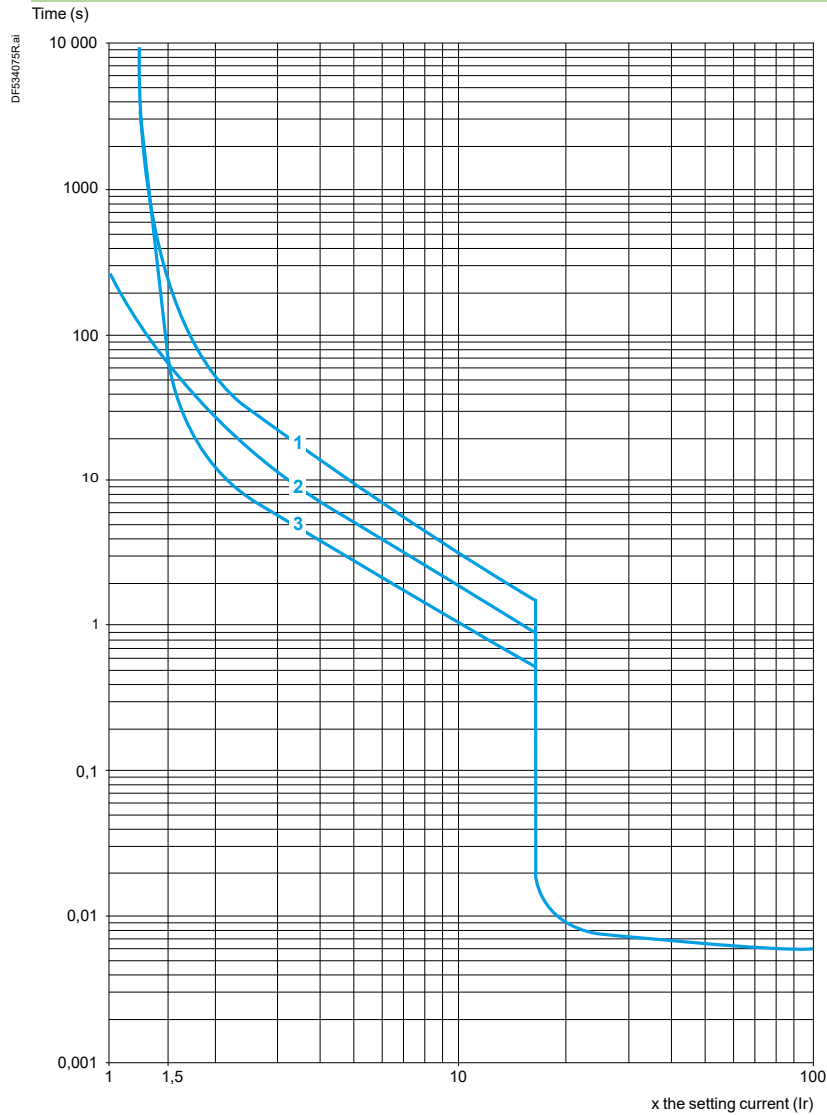
Characteristics:
p. B6/72 to B6/76

Dimensions:
p. B6/93 to B6/98

Schemes:
p. B6/99

Thermal-magnetic tripping curves for GV2ME, GV2RT and GV2P

Average operating times at 20 °C related to multiples of the setting current



- 1 3 poles from cold state
- 2 2 poles from cold state
- 3 3 poles from hot state

Motor
circuit
breakers



References:
p. B6/14 to B6/18

Characteristics:
p. B6/72 to B6/76

Dimensions:
p. B6/93 to B6/98

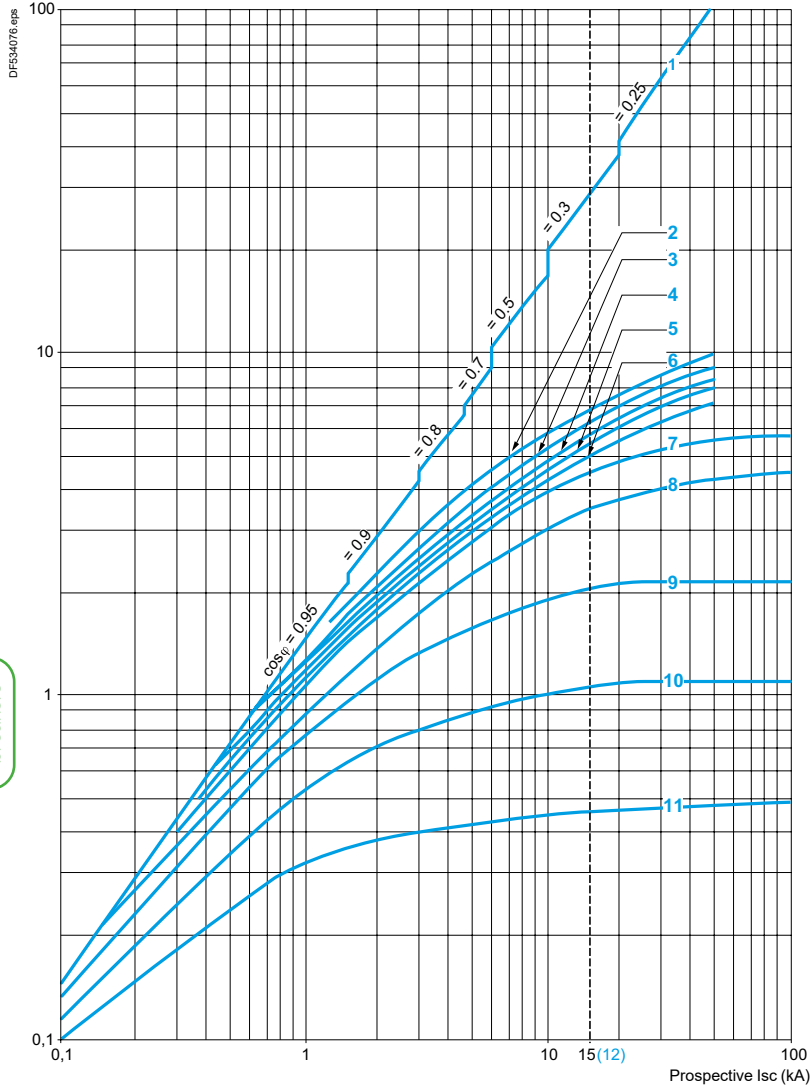
Schemes:
p. B6/99

Current limitation on short-circuit for GV2ME, GV2RT and GV2P (3-phase 400/415 V)

Dynamic stress

$I_{peak} = f(\text{prospective } I_{sc}) \text{ at } 1.05 U_e = 435 \text{ V}$

Limited peak current (kA)



Motor
circuit
breakers

- 1 Maximum peak current
- 2 24 - 32 A
- 3 20 - 25 A
- 4 17 - 23 A
- 5 13 - 18 A
- 6 9 - 14 A
- 7 6 - 10 A
- 8 4 - 6.3 A
- 9 2.5 - 4 A
- 10 1.6 - 2.5 A
- 11 1 - 1.6 A
- 12 Limit of rated ultimate breaking capacity on short-circuit of GV2ME (14, 18, 23 and 25 A ratings)



References:
p. B6/14 to B6/18

Characteristics:
p. B6/72 to B6/76

Dimensions:
p. B6/93 to B6/98

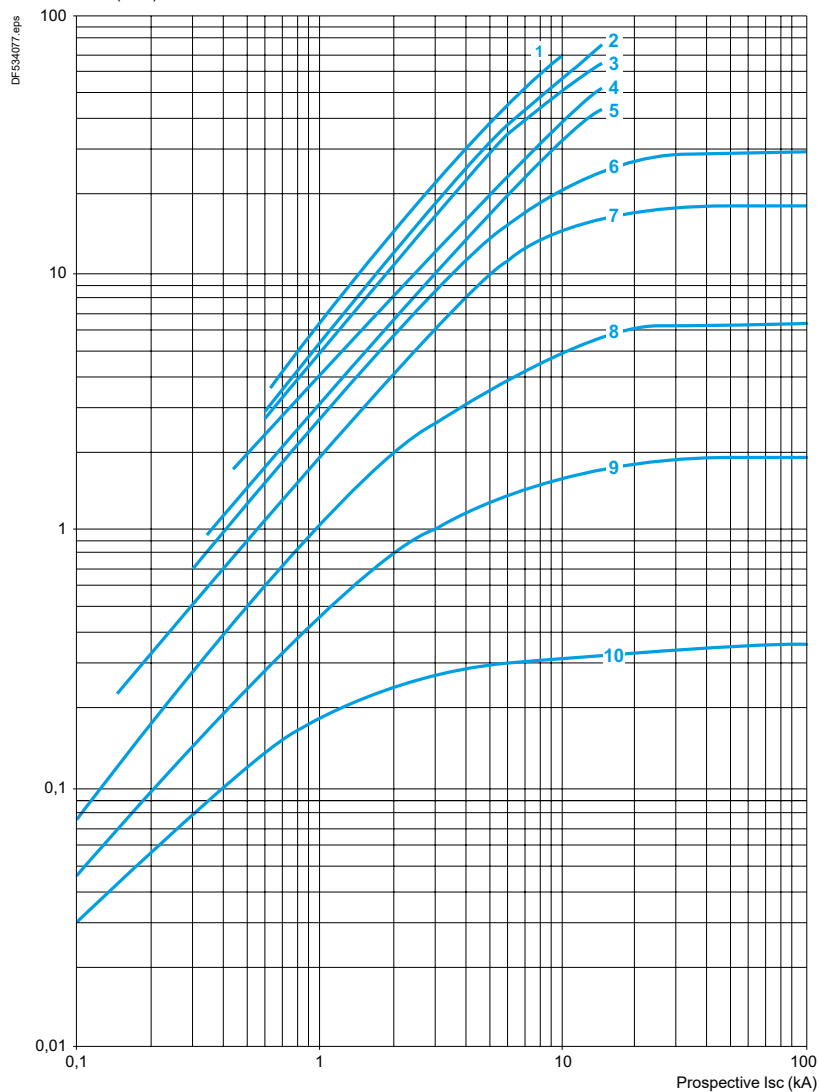
Schemes:
p. B6/99

Thermal limit on short-circuit for GV2ME and GV2RT

Thermal limit in kA^2s in the magnetic operating zone

Sum of $I^2dt = f$ (prospective I_{sc}) at $1.05 U_e = 435 V$

Sum of I^2dt (kA^2s)



- 1 24 - 32 A
- 2 20 - 25 A
- 3 17 - 23 A
- 4 13 - 18 A
- 5 9 - 14 A
- 6 6 - 10 A
- 7 4 - 6.3 A
- 8 2.5 - 4 A
- 9 1.6 - 2.5 A
- 10 1 - 1.6 A



References:
p. B6/17

Characteristics:
p. B6/72 to B6/76

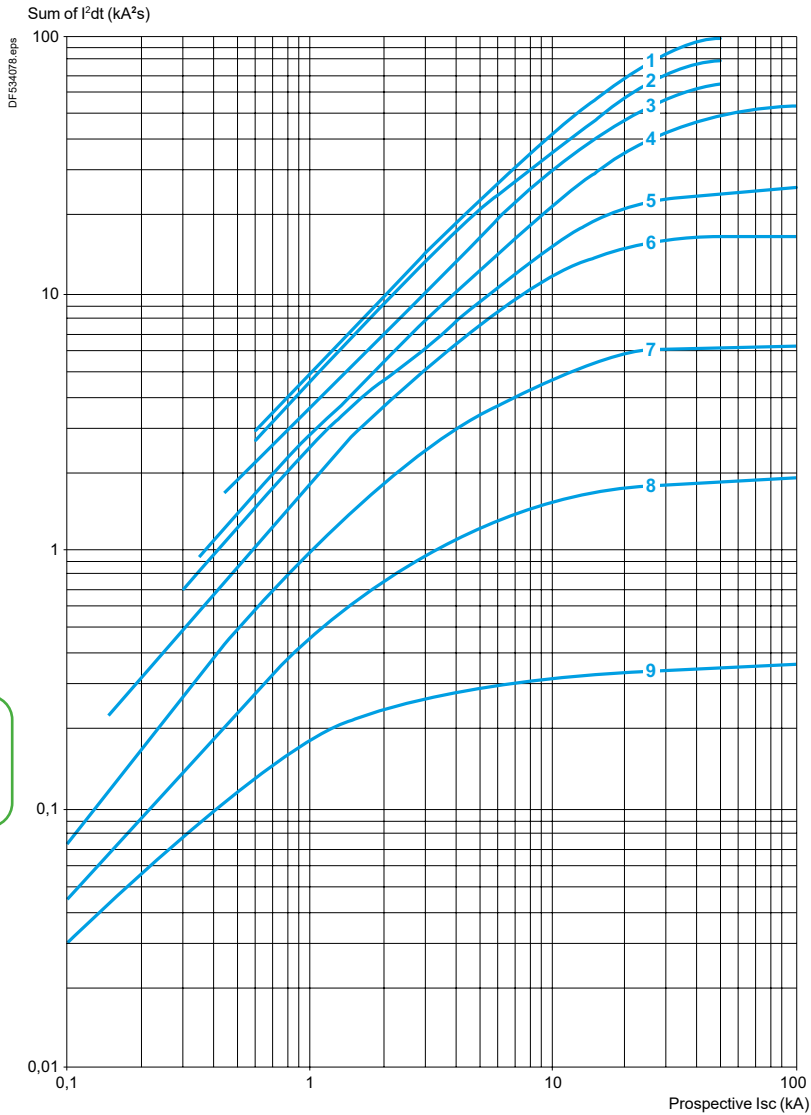
Dimensions:
p. B6/93 to B6/98

Schemes:
p. B6/99

Thermal limit on short-circuit for GV2P

Thermal limit in kA²s in the magnetic operating zone

Sum of I²dt = f (prospective I_{sc}) at 1.05 U_e = 435 V



- 1 20 - 25 A, 24 - 32 A
- 2 17 - 23 A
- 3 13 - 18 A
- 4 9 - 14 A
- 5 6 - 10 A
- 6 4 - 6.3 A
- 7 2.5 - 4 A
- 8 1.6 - 2.5 A
- 9 1 - 1.6 A

TeSys Power

Electric trips for Deca - Frame 2 Motor circuit breakers

Characteristics



References:
p. B6/21

Dimensions:
p. B6/90 to B6/93

Characteristics of GV2 electric trips					
Type of trip			GVAU●●● MN undervoltage trip	GVAX●●● MN undervoltage trip for GV2ME - safety device for dangerous machines	GVAS●●● MX shunt trip
Rated insulation voltage (Ui)	Conforming to IEC 60947-1	V	690	500	690
	Conforming to UL 60947-4-1, CSA C22.2 n° 60947-4-1	V	600	-	600
Operational voltage (Ue)	Conforming to IEC 60947-1	V	0.85...1.1 Uc	0.85...1.1 Uc	0.7...1.1 Uc
Drop-out voltage		V	0.7...0.35 Uc	0.7...0.35 Uc	0.75...0.2 Uc
Inrush consumption	~ ≡≡≡	VA	12	12	14
Sealed consumption	~ ≡≡≡	VA	3.5	3.5	5
Operating time	Conforming to IEC 60947-1	ms	From the moment the voltage reaches its operational value until opening of the circuit breaker. 10...15		
On-load factor			100 %		
Cabling (screw clamp connection)	Number of conductors		2 or 4		
	Solid cable	mm ²	1...2.5		
	Flexible cable without cable end	mm ² AWG	0.75...2.5		
	Flexible cable with cable end	mm ²	0.75...2.5		
Tightening torque		N.m	1.4 max		
Mechanical durability (C.O.: Close - Open)		C.O.	30000 (GV2ME and GV2P)		

TeSys Power

Auxiliary contacts for Deca - Frame 2 Motor circuit breakers

Characteristics



References:
p. B6/21

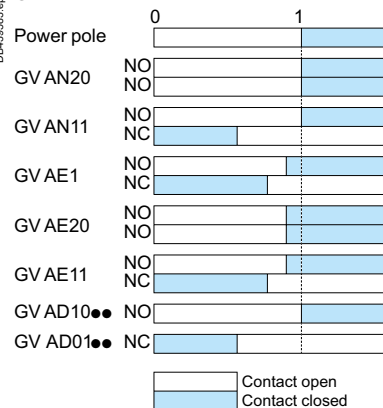
Dimensions:
p. B6/90 to B6/93

Type of contacts			Instantaneous auxiliary GVAN, GVAD							Fault signalling GVAD, GVAM11 ⁽¹⁾				Instantaneous auxiliary GVAE			
Rated insulation voltage (Ui) (associated insulation coordination)	Conforming to IEC 60947-1	V	690							690				250 (690 in relation to main circuit)			
	Conforming to UL 60947-4-1, CSA C22.2 n° 60947-4-1	V	600							300				300			
Conventional thermal current (Ith)	Conforming to IEC 60947-5-1	A	6							2.5				2.5			
	Conforming to UL 60947-5-1, CSA C22.2 n° 60947-5-1	A	5							1				1			
Mechanical durability (C.O.: Close - Open)		C.O.	100 000							1000				100 000			
Operational power and current conforming to IEC 60947-5-1. a.c. operation			AC-15/100 000 C.O.							AC-14/1000 C.O.				AC-15/100 000 C.O.			
	Rated operational voltage (Ue)	V	48	110	230	380	440	500	690	24	48	110	230	24	48	110	230
Operation	Operational power, normal conditions	VA	300	500	720	850	650	500	414	36	48	72	72	48	60	120	120
	Occasional breaking and making capacities, abnormal conditions	kVA	3	7	13	15	13	12	9	0.22	0.3	0.45	0.45	0.48	0.6	1.27	2.4
	Rated operational current (Ie)	A	6	4.5	3.3	2.2	1.5	1	0.6	1.5	1	0.5	0.3	2	1.25	1	0.5
Operational power and current conforming to IEC 60947-5-1. d.c.			DC-13/100 000 C.O.							DC-13/1000 C.O.				DC-13/100 000 C.O.			
	Rated operational voltage (Ue)	V	24	48	60	110	240	–	–	24	48	60	–	24	48	60	–
Operation	Operational power, normal conditions	W	140	240	180	140	120	–	–	24	15	9	–	24	15	9	–
	Occasional breaking and making capacities, abnormal conditions	W	240	360	240	210	180	–	–	100	50	50	–	100	50	50	–
	Rated operational current (Ie)	A	6	5	3	1.3	0.5	–	–	1	0.3	0.15	–	1	0.3	0.15	–
Low power switching reliability of contact			GVAE : Number of failures for "n" million operating cycles (17 V-5 mA): = 10 ⁻⁶														
Minimum operational conditions		V	17														
		mA	5														
Short-circuit protection			By GB2CB●● circuit breaker (rating according to operational current for Ue ≤ 415 V) or by gG fuse 10 A max										GB2CB06 or gG fuse 10 A max				
Cabling, screw clamp terminals	Number of conductors		1			2											
	Solid cable	mm²	1...2.5			1...2.5											
	Flexible cable without cable end	mm²	0.75...2.5			0.75...2.5											
	Flexible cable with cable end	mm²	0.75...1.5			0.75...1.5											
	Tightening torque	N.m	1.4 max			1.4 max											
Cabling, spring terminal connections			GVAN only														
	Flexible cable without cable end	mm²	0.75...2.5			0.75...2.5				–				0.75...1.5			

Motor circuit breakers

Operation of instantaneous auxiliary contacts

GV2



Operation of fault signalling contacts

GVAM11

Change of state following tripping on short-circuit.

GVAD10●● and GVAD01●●

Change of state following tripping on short-circuit, overload or undervoltage.

(1) For application example of fault signalling contact and short-circuit signalling contact.

(2) Add an RC circuit type **LA4D** to the load terminals.

TeSys Power

Accessories for Deca - Frame 2 Motor circuit breakers

Characteristics



References:
p. B6/21

Dimensions:
p. B6/97

Characteristics of 3-pole busbars GV2G●●●			
		GV2G●●●	
Rated insulation voltage (Ui)	Conforming to IEC 60947-1	V	690
Conventional thermal current (Ith)	Conforming to IEC 60439-1	A	63
Rated operational current (Ie)		A	63
Permissible peak current (I peak)		kA	11
Permissible thermal limit (I ² t)		kA ² s	104
Degree of protection	Conforming to IEC 60529		IP 20
Terminal block			Yes

Characteristics of terminal blocks GV2G05 and GV1G09 (for GV2ME and GV2P)			
Rated insulation voltage (Ui)	Conforming to IEC 60947-1	V	690
Conventional thermal current (Ith)	Conforming to IEC 60439-1	A	63
Rated operational current (Ie)		A	63 115
Degree of protection	Conforming to IEC 60529		IP 20
Connection	Solid cable	mm ²	1 x 1.5 to 25 or 2 x 1.5 to 6
	Flexible cable without cable end	mm ²	1 x 1.5 to 16 or 2 x 1.5 to 4
	Flexible cable with cable end	mm ²	1 x 1.5 to 16 or 2 x 1.5 to 4
	Flexible or solid cable AWG		1 AWG 4
Tightening torque	Connector	N.m	2.2
	Screw clamp terminals	N.m	1.7

Characteristics of current limiters (GV2ME and GV2P)					
Type		GV1L3		LA9LB920	
Rated insulation voltage (Ui)	Conforming to IEC 60947-1	V	690	690	
Conventional thermal current (Ith)	Conforming to IEC 60947-1	A	63	63	
Rated operational current (Ie)		A	32	32	
Operating threshold	rms current	A	1500 (non adjustable threshold)	1000 (non adjustable threshold)	
Connection			1 conductor	2 conductors	
	Solid cable	mm ²	1.5...25	1.5...10	1 conductor 1.5...25 2 conductors 1.5...10
	Flexible cable without cable end	mm ²	1.5...25	2.5...10	1.5...25 1.5...10
	Flexible cable with cable end	mm ²	1.5...16	1.5... 4	1.5...16 1.5... 4
Tightening torque		N.m	2.2		

Motor
circuit
breakers

TeSys Power

Deca - Frame 2 Motor circuit breakers - Magnetic

Dimensions and mounting



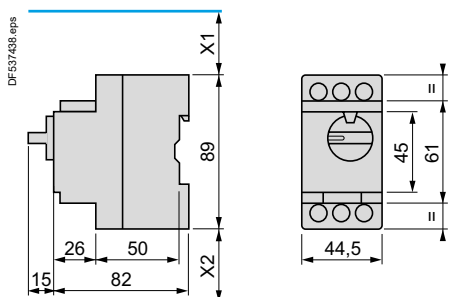
References:
p. B6/12 to B6/13

Characteristics:
p. B6/72 to B6/76

Curves:
p. B6/77 to B6/86

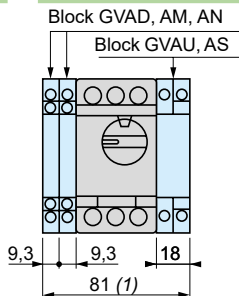
GV2L

Dimensions



X1 Electrical clearance = 40 mm for $U_e \leq 415$ V, or 80 mm for $U_e = 440$ V, or 120 mm for $U_e = 500$ and 690 V.
X2 = 40 mm.

GVAD, AM, AN, AU, AS



(1) Maximum.

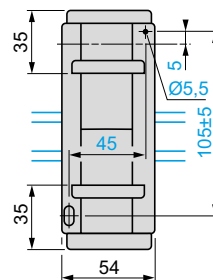
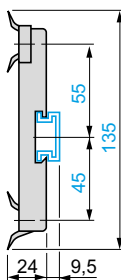
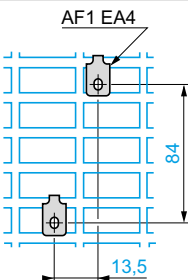
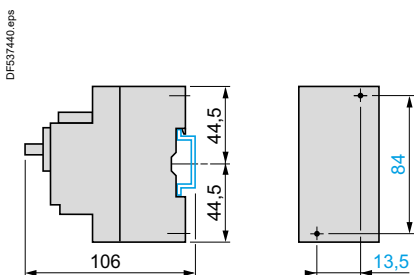
Mounting

On rail AM1DE200, AM1ED200 (35 x 15)

Panel mounted

On pre-slotted mounting plate AM1PA

Adapter plate GK2AF01



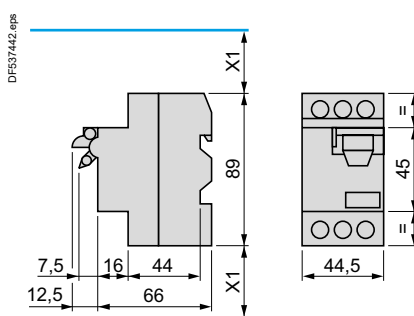
7.5 mm height compensation plate GV1F03



Motor circuit breakers

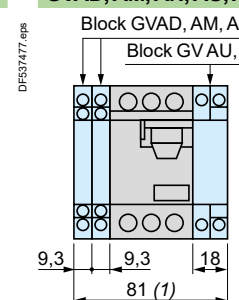
GV2LE

Dimensions



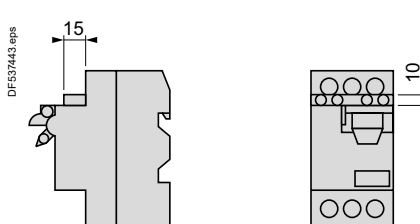
X1 Electrical clearance = 40 mm for $U_e \leq 690$ V.

GVAD, AM, AN, AU, AS



(1) Maximum.

GVAE



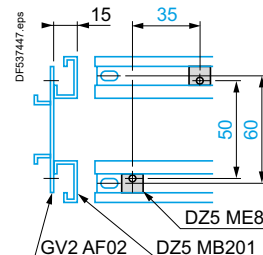
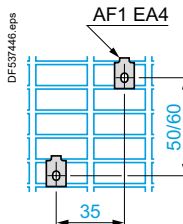
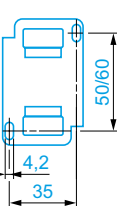
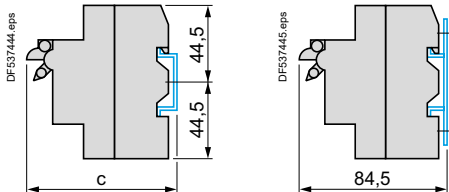
Mounting

On 35 mm rail

On panel with adapter plate GV2AF02

On pre-slotted plate AM1PA

On rails DZ5MB201



c = 80 on AM1DP200 (35 x 7.5) and 88 on AM1DE200, ED200 (35 x 15)

TeSys Power

Deca - Frame 2 Motor circuit breakers - Magnetic

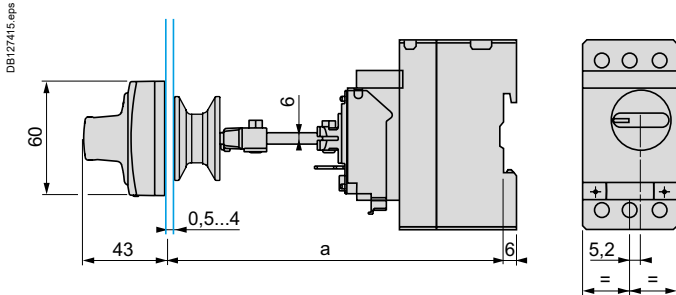
Dimensions and mounting



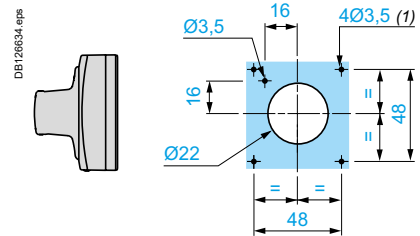
References:
p. B6/24

Mounting

Mounting of external operator GV2APN01, GV2APN02 or GV2APN04 for motor circuit breakers GV2L

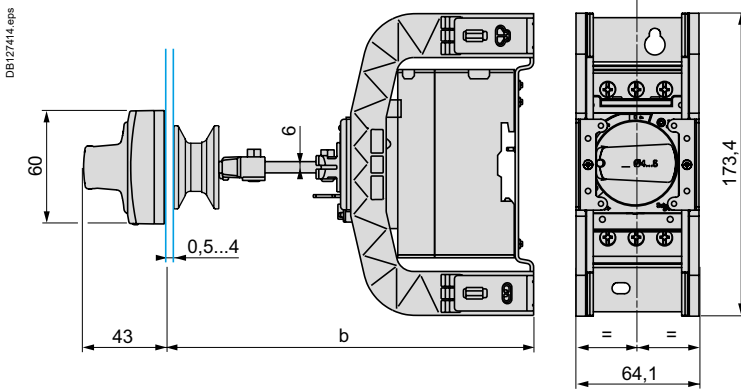


Door cut-out

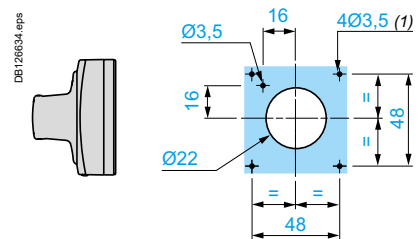


(1) For IP65 only.

Mounting of external operator GVAPH02 for motor circuit breakers GV2L



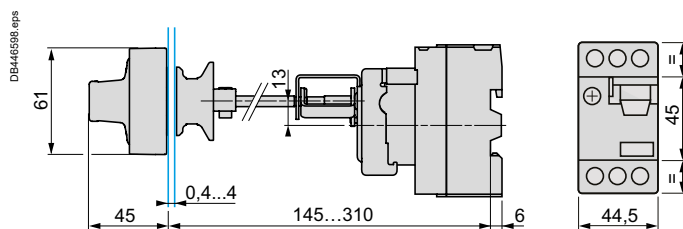
Door cut-out



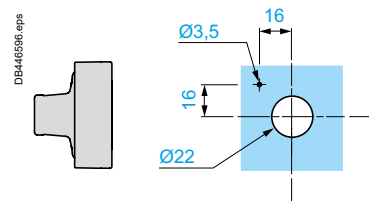
(1) For IP65 only.

	a		b	
	Mini	Maxi	Mini	Maxi
GV2APN●●	140	250		
GV2APN●● + GVAPH02			151	250
GV2APN●● + GVAPK11	250	434	-	-
GV2APN●● + GVAPH02 + GVAPK11	-	-	250	445

Mounting of external operator GV2APN10 for GV2LE



Door cut-out



Motor
circuit
breakers

TeSys Power

Deca - Frame 2 Motor circuit breakers - Magnetic

Dimensions and mounting

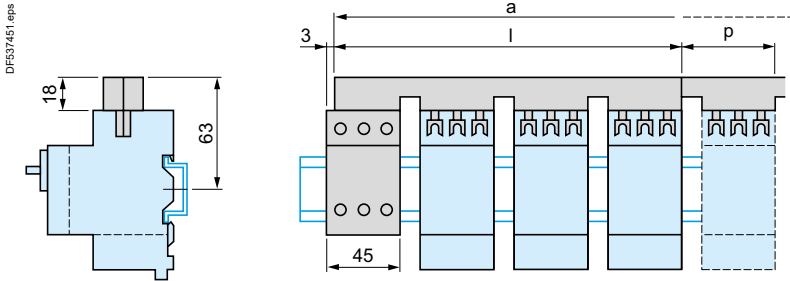


References:
p. B6/23

Characteristics:
p. B6/89

GV2LE

Sets of busbars GV2G445, GV2G454, GV2G472, with terminal block GV2G05



	l	p
GV2G445 (4 x 45 mm)	179	45
GV2G454 (4 x 54 mm)	206	54
GV2G472 (4 x 72 mm)	260	72

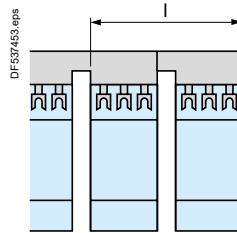
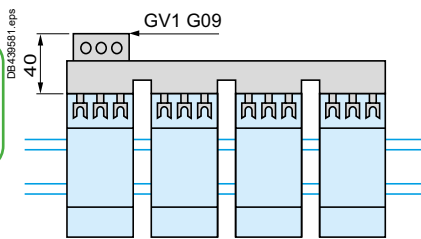
Number of tap-offs	a			
	5	6	7	8
GV2G445	224	269	314	359
GV2G454	260	314	368	422
GV2G472	332	404	476	548

Sets of busbars GV2LE

Sets of busbars GV2G●●● with term. block GV1G09

Sets of busbars GV2G245, GV2G254, GV2GR272

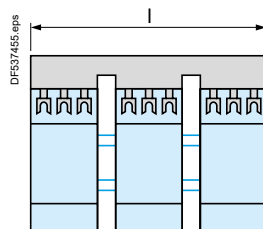
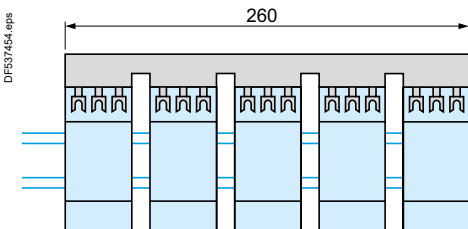
Motor circuit breakers



	l
GV2G245 (2 x 45 mm)	89
GV2G254 (2 x 54 mm)	98
GV2G272 (2 x 72 mm)	116

Set of busbars GV2G554

Sets of busbars GV2G345 and GV2G354



	l
GV2G345 (3 x 45 mm)	134
GV2G354 (3 x 54 mm)	152

TeSys Power

Deca - Frame 2 Motor circuit breakers - Thermal-magnetic

Dimensions and mounting



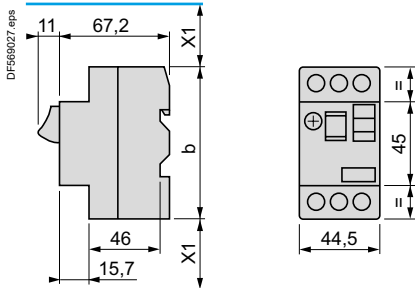
References:
p. B6/14 to B6/17

Characteristics:
p. B6/72 to B6/76

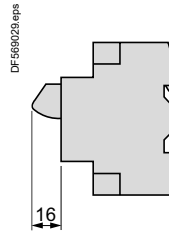
Curves:
p. B6/83 to B6/86

Dimensions

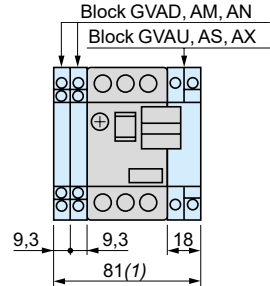
GV2ME



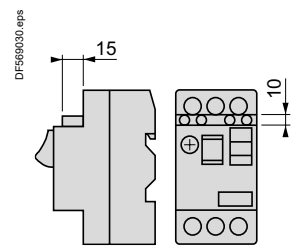
GVAX



GVAD, AM, AN, AU, AS, AX



GVAE



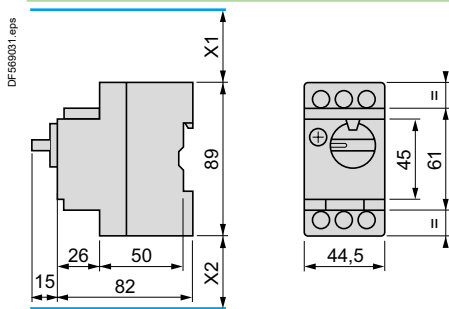
b

GV2ME●●	89
GV2ME●●3	101

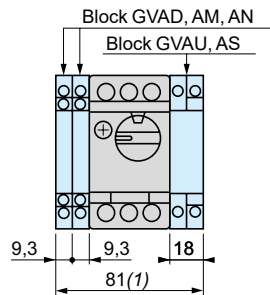
(1) Maximum.

X1 Electrical clearance = 40 mm for $U_e \leq 690$ V

GV2P



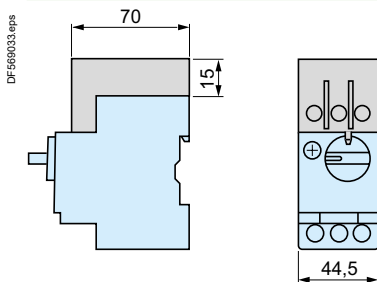
GVAD, AM, AN, AU, AS



(1) Maximum.

X1 Electrical clearance = 40 mm for $U_e \leq 415$ V, or 80 mm for $U_e = 440$ V, or 120 mm for $U_e = 500$ and 690 V
X2 = 40 mm

GV2GH7



Motor
circuit
breakers



References:
p. B6/14 to B6/17

Characteristics:
p. B6/72 to B6/76

Curves:
p. B6/83 to B6/86

Mounting

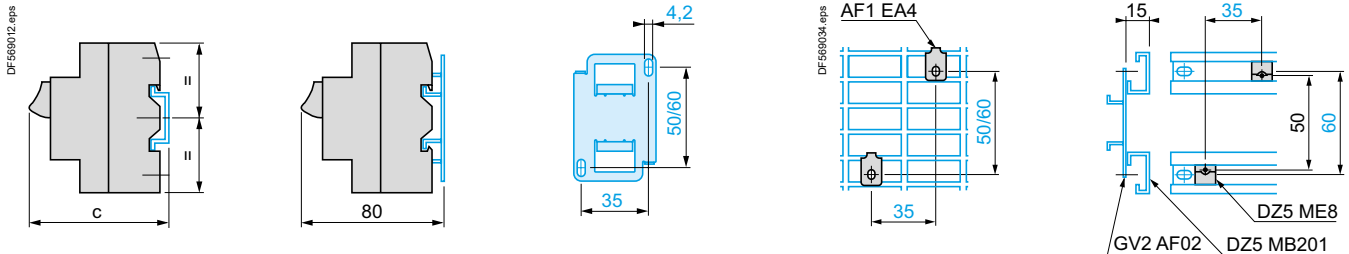
GV2ME

On 35 mm rail

On panel with adapter plate GV2AF02

On pre-slotted plate AM1PA

On rails DZ5MB201



$c = 78.5$ on AM1 DP200 (35 x 7.5)
 $c = 86$ on AM1 DE200, ED200 (35 x 15)

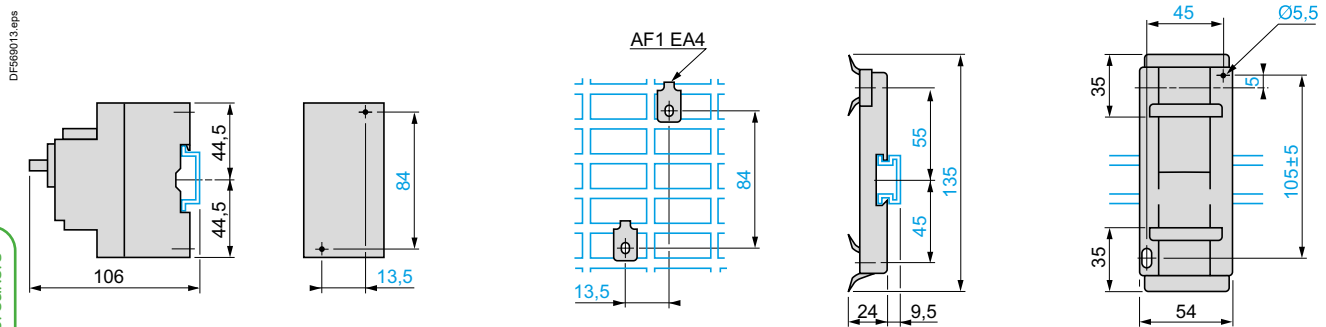
GV2P

On rail AM1DE200, ED200 (35 x 15)

Panel mounted

On pre-slotted plate AM1PA

Adapter plate GK2AF01

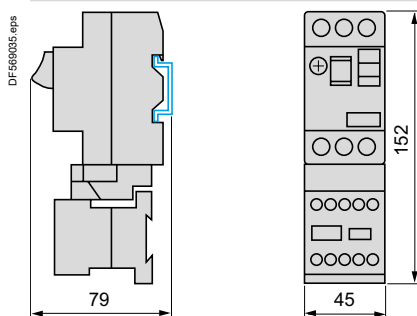


Motor circuit breakers

Dimensions

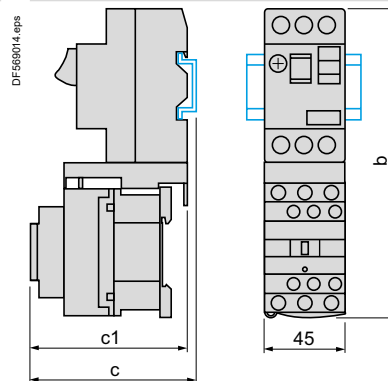
GV2AF01

Combination GV2ME + k contactor

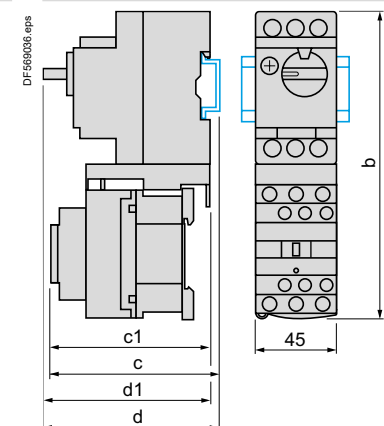


GV2AF3

Combination GV2ME + d contactor



Combination GV2P + d contactor



GV2ME +	LC1D09 ...D18	LC1D25 and D32
b	176.4	186.8
c1	94.1	100.4
c	99.6	105.9

GV2P +	LC1D09 ...D18	LC1D25 and D32
b	176.4	186.8
c1	100.1	106.4
c	105.6	111.9
d1	95	95
d	100.5	100.5

TeSys Power

Deca - Frame 2 Motor circuit breakers - Thermal-magnetic

Dimensions and mounting



References:
p. B6/14 to B6/17

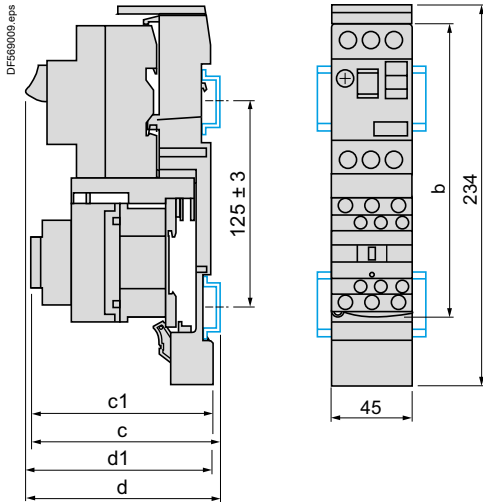
Characteristics:
p. B6/72 to B6/76

Curves:
p. B6/83 to B6/86

Dimensions

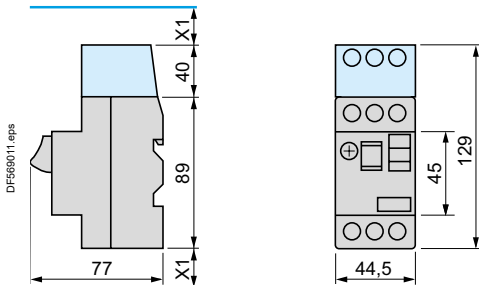
GV2AF4 + LAD311

Combination GV2ME + d contactor



GV2ME +	LC1D09...D18	LC1D25 and D32
b	176.4	186.8
c1	130.1	136.4
c	135.6	141.9
d1	107	107
d	112.5	112.5

GV2ME + GV1L3 (current limiter)



X1 = 10 mm for Ue = 230 V
or 30 mm for 230 V < Ue ≤ 690 V

7.5 mm height compensation plate GV1F03



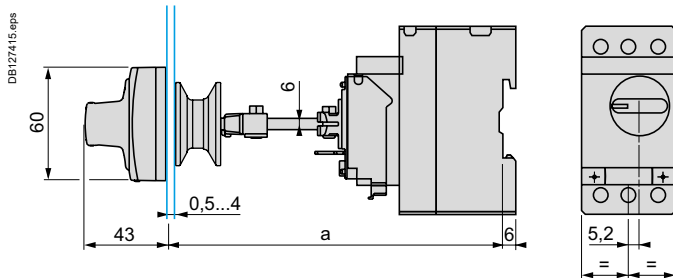
Motor
circuit
breakers



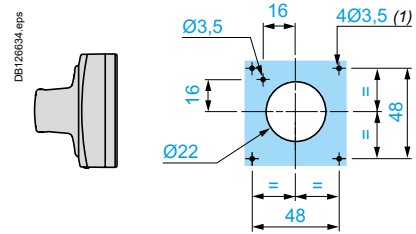
References:
p. B6/24

Mounting

Mounting of external operator GV2APN01, GV2APN02 or GV2APN04 for motor circuit breakers GV2P

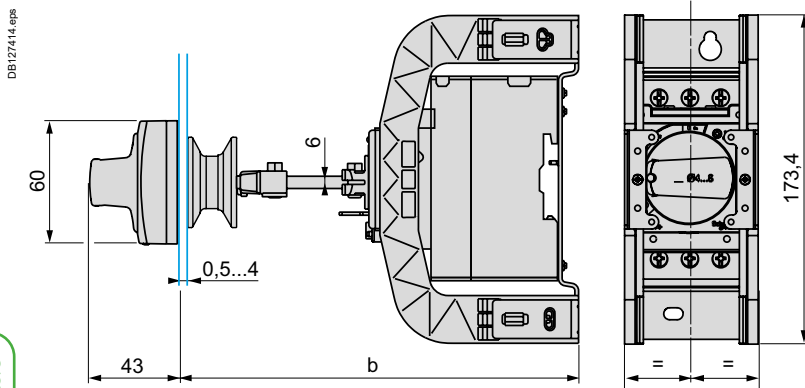


Door cut-out

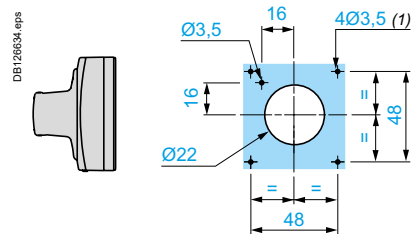


(1) For IP65 only.

Mounting of external operator GVAPH02 for motor circuit breakers GV2P



Door cut-out



(1) For IP65 only.

Motor circuit breakers

	a		b	
	Mini	Maxi	Mini	Maxi
GV2APN●●	140	250		
GV2APN●● + GVAPH02			151	250
GV2APN●● + GVAPK11	250	434	-	-
GV2APN●● + GVAPH02 + GVAPK11	-	-	250	445

TeSys Power

Deca - Frame 2 Motor circuit breakers - Thermal-magnetic

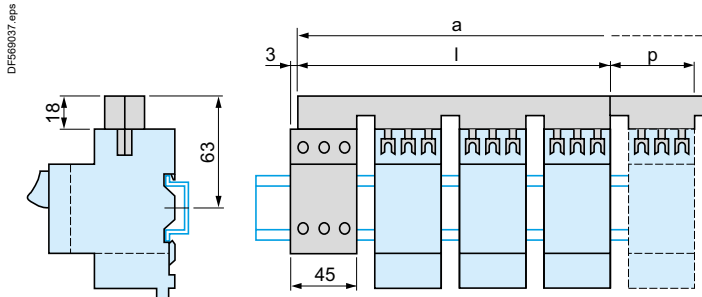
Dimensions and mounting



References:
p. B6/23

GV2ME, GV2P

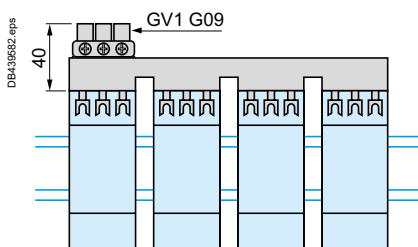
Sets of busbars GV2G445, GV2G454, GV2G472, with terminal block GV2G05



	l	p
GV2G445 (4 x 45 mm)	179	45
GV2G454 (4 x 54 mm)	206	54
GV2G472 (4 x 72 mm)	260	72

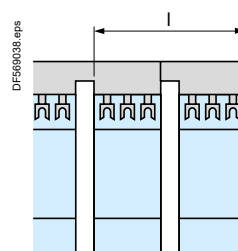
Number of tap-offs	a			
	5	6	7	8
GV2G445	224	269	314	359
GV2G454	260	314	368	422
GV2G472	332	404	476	548

Sets of busbars GV2G●●● with terminal block GV1G09

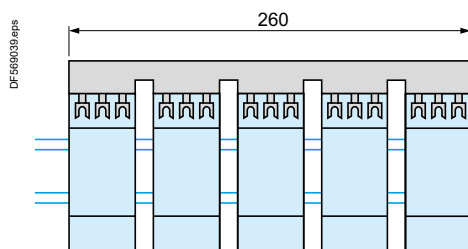


	l
GV2G245 (2 x 45 mm)	89
GV2G254 (2 x 54 mm)	98
GV2G272 (2 x 72 mm)	116

Sets of busbars GV2G245, GV2G254, GV2G272

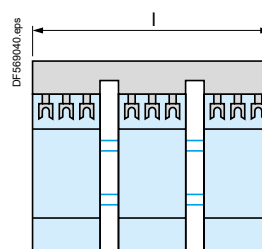


Sets of busbars GV2G554



	l
GV2G345 (3 x 45 mm)	134
GV2G354 (3 x 54 mm)	152

Sets of busbars GV2G345 and GV2G354



Motor
circuit
breakers

TeSys Power

Deca - Frame 2 Motor circuit breakers - Thermal-magnetic

Dimensions and mounting



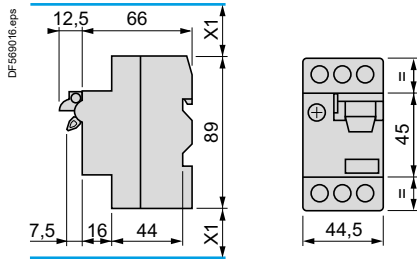
References:
p. B6/18

Characteristics:
p. B6/72 to B6/76

Curves:
p. B6/83 to B6/86

GV2RT

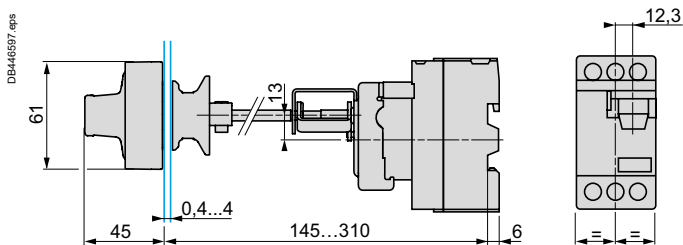
Dimensions



X1: Electrical clearance = 40 mm for $U_e < 690$ V

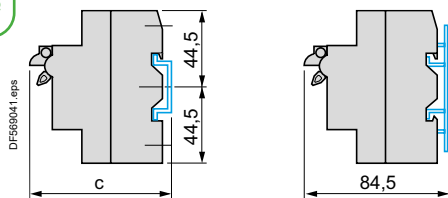
Mounting

Mounting of external operator GV2APN10

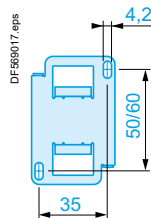


Motor circuit breakers

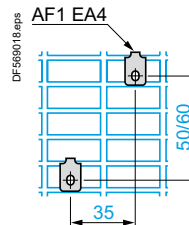
On 35 mm rail



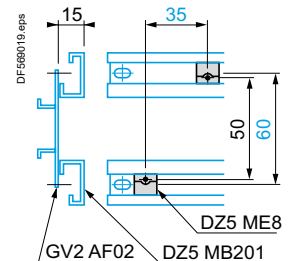
On panel with adapter plate GV2AF02



On pre-slotted plate AM1PA



On rails DZ5MB



$c = 80$ on AM1DP200 (35 x 7.5)
 $c = 88$ on AM1DE200, ED200 (35 x 15)

TeSys Power

Deca - Frame 2 Motor circuit breakers

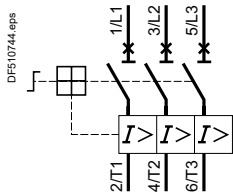
Schemes



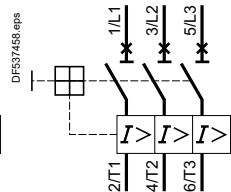
References:
p. B6/11 to B6/24

Schemes

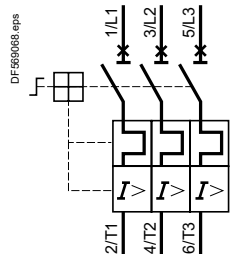
GV2L●●



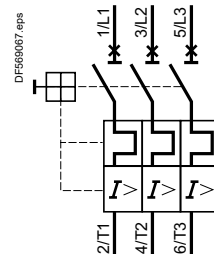
GV2LE●●



GV2P●●



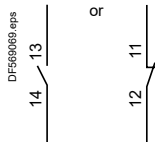
GV2ME●● and GV2RT



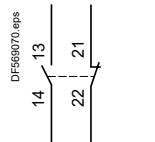
Front mounting add-on contact blocks

Instantaneous auxiliary contacts

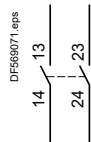
GVAE1



GVAE11



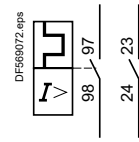
GVAE20



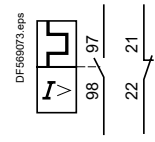
Front mounting add-on contact blocks

Instantaneous auxiliary contacts and fault signalling contacts

GVAED101



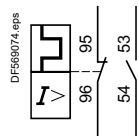
GVAED011



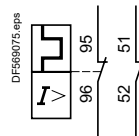
Side mounting add-on contact blocks

Instantaneous auxiliary contacts and fault signalling contacts

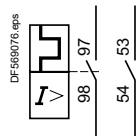
GVAD0110



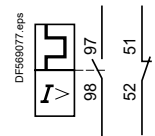
GVAD0101



GVAD1010

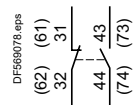


GVAD1001

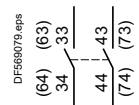


Instantaneous auxiliary contacts

GVAN11

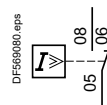


GVAN20



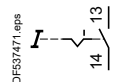
Short-circuit signalling contacts

GVAM11

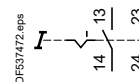


Start-Stop signalling contact blocks

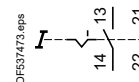
GK2AX10



GK2AX20

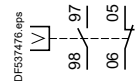


GK2AX50



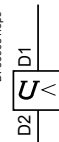
Fault signaling contact blocks

GK2AX52



Voltage trips

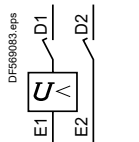
GVAU●●●



GVAS●●●

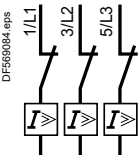


GVAX●●●

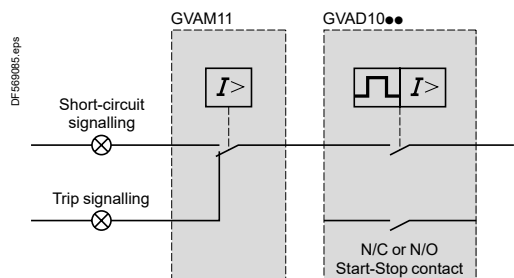


Current limiter

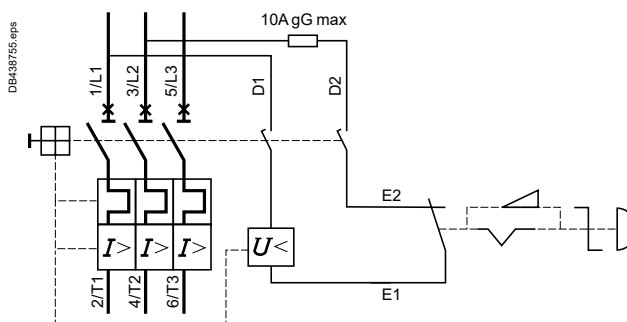
GV1L3



Use of fault signalling contact and short-circuit signalling contact



Connection of undervoltage trip for dangerous machines (conforming to INRS) on GV2ME only



Motor
circuit
breakers

Motor
circuit
breakers

TeSys Deca - Frame 3 5 to 45 kW



Motor
circuit
breakers

TeSys Power

Deca - Frame 3 Motor circuit breakers

Characteristics



References:
p. B6/26 to B6/27

Curves:
p. B6/106 to B6/111

Dimensions:
p. B6/115 to B6/116

Schemes:
p. B6/117

Environment				
Circuit breaker type			GV3L	GV3P
Conforming to standards			IEC/EN 60947-4-1 IEC/EN 60947-2 UL 60947-4-1 CSA C22.2 n° 60947-4-1	IEC/EN 60947-4-1 IEC/EN 60947-2 UL 60947-4-1 CSA C22.2 n° 60947-4-1
Product certifications			CCC, EAC, BV, LROS, DNV-GL, ABS, UL ⁽¹⁾ , CSA ⁽²⁾ , UKCA	CCC, UL ⁽⁴⁾ , CSA ⁽⁵⁾ , EAC, ATEX, BV, LROS, DNV-GL, ABS, UKCA
Climatic withstand			According to IACS E10	
Degree of protection (front face)	Conforming to IEC 60529	Open mounted In enclosure	Against direct finger contact: IP20	
Shock resistance	Conforming to IEC 60068-2-27		On: 15 gn -11 ms (On: 5 gn -11 ms for GV3L73, GV3L80, GV3P73, GV3P80) Off: 30 gn -11 ms	
Vibration resistance ⁽³⁾	Conforming to IEC 60068-2-6		4 gn (5...300 Hz)	
Ambient air temperature	Storage		°C -40...+80	
	Operation	Open mounted	°C -20...+60 ⁽³⁾	
Temperature compensation		In enclosure	°C	-
	In enclosure	Open mounted	°C	-
In enclosure		In enclosure	°C	-
	Flame resistance	Conforming to IEC 60695-2-11		°C 960
Maximum operating altitude			m 3000	
Suitable for isolation	Conforming to IEC 60947-1 § 7-1-6		Yes	-
Resistance to mechanical impact			J	-
				10 IK09 (in enclosure)
Sensitivity to phase failure			Yes, conforming to IEC 60947-4-1 § 8-2-1-5-2 for GV3P	

Technical characteristics				
Circuit breaker type			GV3L	GV3P
Utilisation category	Conforming to IEC 60947-2		A	-
	Conforming to IEC 60947-4-1		-	AC-3
Rated operational voltage (U _e)	Conforming to IEC 60947-2		V 690	
Rated insulation voltage (U _i)	Conforming to IEC 60947-2		V 690	
Rated voltage	Conforming to UL 60947-4-1, CSA C 22.2 n° 60947-4-1		V	600
Rated operational frequency	Conforming to IEC 60947-4-1 UL, CSA		Hz	50/60
Rated impulse withstand voltage (U _{imp})	Conforming to IEC 60947-2		kV	6
Total power dissipated per pole			W	8
Mechanical durability (C.O.: Close, Open)			C.O.	50 000
Electrical durability for AC-3 duty	415 V In		C.O.	50 000 (20 000 for GV3L73, GV3P73, GV3L80, GV3P80)
Duty class (maximum operating rate)			C.O./h	25
Maximum conventional rated thermal current (I _{th})	Conforming to IEC 60947-4-1		A	-
Rated duty	Conforming to IEC 60947-4-1			13 to 80 Continuous duty
Operating threshold of magnetic trips			14 I max	

(1), (2) For GV3L25 to 73, may be followed by 6 or by 1.

(3) Leave a space of 9 mm between 2 circuit breakers: either an empty space, or side mounting add-on contact blocks.
Side by side mounting is possible up to 40 °C.

(4), (5) For GV3P13 to 73, may be followed by 6 or by 1.

TeSys Power

Deca - Frame 3 Motor circuit breakers

Characteristics



References:
p. B6/26 to B6/27

Curves:
p. B6/106 to B6/111

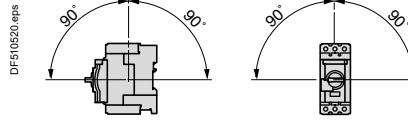
Dimensions:
p. B6/115 to B6/116

Schemes:
p. B6/117

Mounting characteristics

Operating position

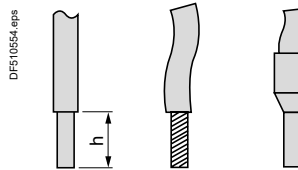
Without derating, in relation to normal vertical mounting plane ⁽¹⁾



Connection characteristics

Connection to screw clamp terminals or spring terminals

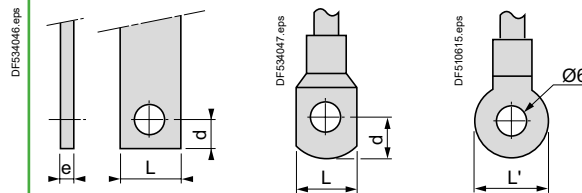
Bare cables



Circuit breaker type		GV3L		GV3P	
		Min.	Max.	Min.	Max.
Connection to screw clamp terminals ⁽²⁾ (Max. number of conductors x c.s.a.)	Solid cable	mm ²	2 x 1	1 x 25 and 1 x 35	2 x 1 1 x 25 and 1 x 35
	Flexible cable without cable end	mm ²	2 x 1	1 x 25 and 1 x 35	2 x 1 1 x 25 and 1 x 35
	Flexible cable with cable end	mm ²	2 x 1	1 x 25 and 1 x 35	2 x 1 1 x 25 and 1 x 35
Tightening torque	N.m	5	5: 25 mm ² 8: 35 mm ²	5	5: 25 mm ² 8: 35 mm ²

Connection by bars or lugs

Bars or lugs



Circuit breaker type		GV3L●●6		GV3P●●6	
		mm		mm	
Pitch	Without spreaders	mm	17.5		
	With spreaders	mm	–		
Bars or cables with lugs	e	mm	≤ 6		
	L	mm	≤ 13.5		
	L'	mm	≤ 16.5		
	d	mm	≤ 10		
Screws			M6		
	Tightening torque	N.m	6		
Bare cables (copper or aluminium) with connectors	Height (h)	mm	–		
	C.s.a.	mm ²	–		
	Tightening torque	N.m	–		

⁽¹⁾ When mounting on a vertical rail, fit a stop to prevent any slippage.

⁽²⁾ For motor circuit breakers GV3P: BTR hexagon socket head screws, EverLink® system. Require use of an insulated Allen key, in compliance with local electrical wiring regulations.

Motor
circuit
breakers

TeSys Power

Deca - Frame 3 Motor circuit breakers - Magnetic

Characteristics



References:
p. B6/26

Curves:
p. B6/106 to B6/108

Dimensions:
p. B6/115 to B6/116

Schemes:
p. B6/117

Breaking capacity of GV3L

Type			GV3L25	GV3L32	GV3L40	GV3L50	GV3L65	GV3L73	GV3L80		
Breaking capacity of the circuit-breaker only or of the circuit-breaker combined with a thermal overload relay	230/240 V	Icu	kA	100	100	100	100	100	65	65	
		Ics % ⁽¹⁾		100	100	100	100	100	100	100	
	400/415 V	Icu	kA	100	100	50	50	50	50	50	
		Ics % ⁽¹⁾		100	100	100	100	100	60	60	
	440 V	Icu	kA	50	50	50	50	50	50	50	
		Ics % ⁽¹⁾		100	100	100	100	100	60	60	
	500 V	Icu	kA	12	12	12	12	12	12	12	
		Ics % ⁽¹⁾		50	50	50	50	50	50	50	
	690 V	Icu	kA	6	6	6	6	6	6	6	
		Ics % ⁽¹⁾		50	50	50	50	50	50	50	
	Associated fuses (if required) for use with circuit breaker only or circuit breaker combined with a thermal overload relay if Isc > breaking capacity	230/240 V	aM	A	*	*	*	*	*	*	*
			gG	A	*	*	*	*	*	*	*
415 V		aM	A	*	*	*	*	125	125	125	
		gG	A	*	*	*	*	160	160	160	
440 V		aM	A	63	80	125	125	125	125	125	
		gG	A	80	100	160	160	160	160	160	
500 V		aM	A	63	63	63	63	80	80	80	
		gG	A	80	80	80	80	100	100	100	
690 V		aM	A	50	50	50	50	63	63	63	
		gG	A	63	63	63	63	80	80	80	
Use of circuit breakers without fuses			Minimum cable length (in metres) limiting the maximum short-circuit current to 35 kA maximum.								
Cable c.s.a.			mm²	≤ 25	35	50	70	95	- ⁽²⁾	- ⁽²⁾	
Isc (rms) 3-phase, incoming (Ue = 415 V)	50 kA	m	5	6	8	10	13	- ⁽²⁾	- ⁽²⁾		
	45 kA	m	5	5	7	8	10	- ⁽²⁾	- ⁽²⁾		
	40 kA	m	5	5	5	5	8	- ⁽²⁾	- ⁽²⁾		
	37 kA	m	5	5	5	5	5	- ⁽²⁾	- ⁽²⁾		

* Fuse not required: breaking capacity Icn > Isc.

(1) As % of Icu.

(2) Please consult your Regional Sales Office.

TeSys Power

Deca - Frame 3 Motor circuit breakers - Thermal-magnetic

Characteristics



References:
p. B6/27

Curves:
p. B6/109 to B6/111

Dimensions:
p. B6/115

Schemes:
p. B6/117

Breaking capacity of GV3P												
Motor circuit breaker type			GV3P									
		A	13	18	25	32	40	50	65	73	80	
Rating		A	13	18	25	32	40	50	65	73	80	
Breaking capacity conforming to IEC 60947-2	230/240 V Icu	kA	100	100	100	100	100	100	100	100	100	
	Ics % ⁽¹⁾		100	100	100	100	100	100	100	100	100	
	400/415 V Icu	kA	100	100	100	100	50	50	50	50	50	
	Ics % ⁽¹⁾		100	100	100	100	100	100	100	60	60	
	440 V Icu	kA	50	50	50	50	50	50	50	50	50	
	Ics % ⁽¹⁾		100	100	100	100	100	100	100	60	60	
	500 V Icu	kA	12	12	12	12	12	12	12	12	12	
	Ics % ⁽¹⁾		50	50	50	50	50	50	50	50	50	
	690 V Icu	kA	6	6	6	6	6	6	6	6	6	
	Ics % ⁽¹⁾		50	50	50	50	50	50	50	50	50	
	Associated fuses, if required if Isc > breaking capacity Icu	230/240 V aM	A	*	*	*	*	*	*	*	*	*
		gG	A	*	*	*	*	*	*	*	*	*
		415 V aM	A	*	*	*	*	125	125	125	125	125
		gG	A	*	*	*	*	160	160	160	160	160
440 V aM		A	63	80	125	125	125	125	125	125	125	
gG		A	80	100	160	160	160	160	160	160	160	
500 V aM		A	63	63	63	63	80	80	80	80	80	
gG		A	80	80	80	80	100	100	100	100	100	
690 V aM		A	50	50	50	50	63	63	63	63	63	
gG		A	63	63	63	63	80	80	80	80	80	

* Fuse not required: breaking capacity I_{cn} > I_{sc}.
(1) As % of I_{cu}.

Motor circuit breakers

TeSys Power

Deca - Frame 3 Motor circuit breakers - Magnetic Curves



References:
p. B6/26

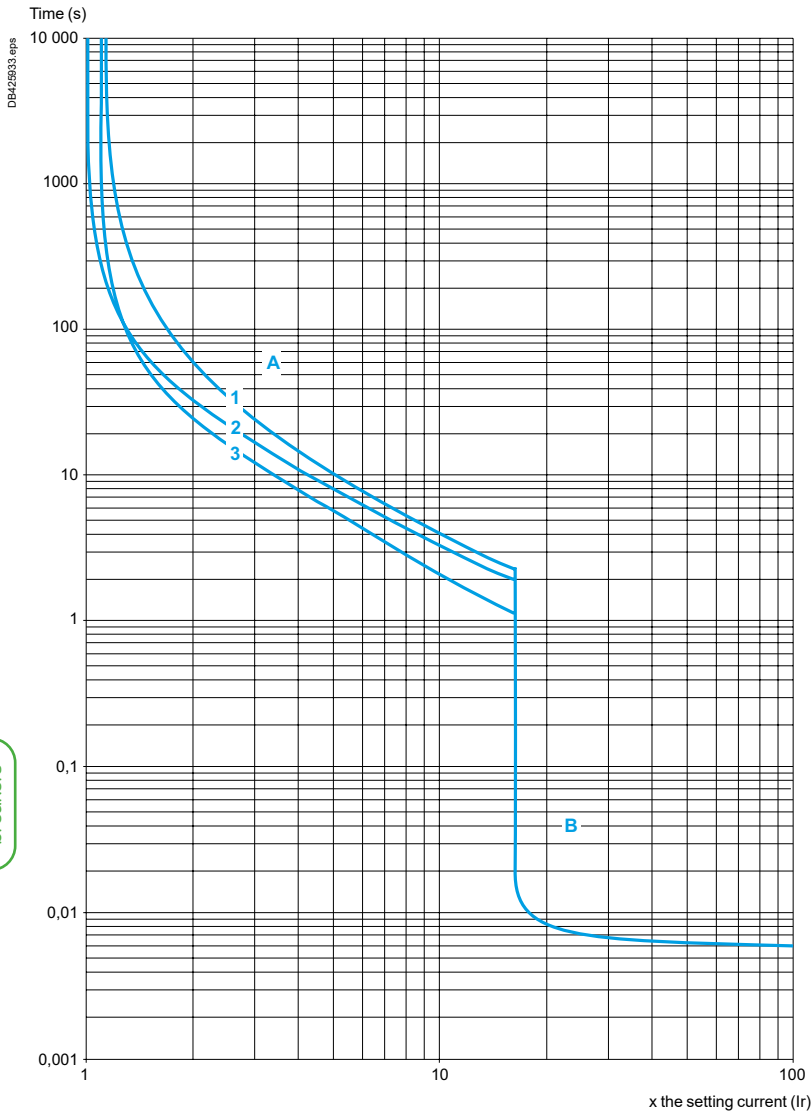
Characteristics:
p. B6/102 to B6/104

Dimensions:
p. B6/115 to B6/116

Schemes:
p. B6/117

Tripping curves for GV3L combined with thermal overload relay LRD33

Average operating time at 20 °C without prior current flow



- 1 3 poles from cold state
- 2 2 poles from cold state
- 3 3 poles from hot state

- A Thermal overload relay protection zone
- B GV3L protection zone

Motor
circuit
breakers

TeSys Power

Deca - Frame 3 Motor circuit breakers - Magnetic

Curves



References:
p. B6/26

Characteristics:
p. B6/102 to B6/104

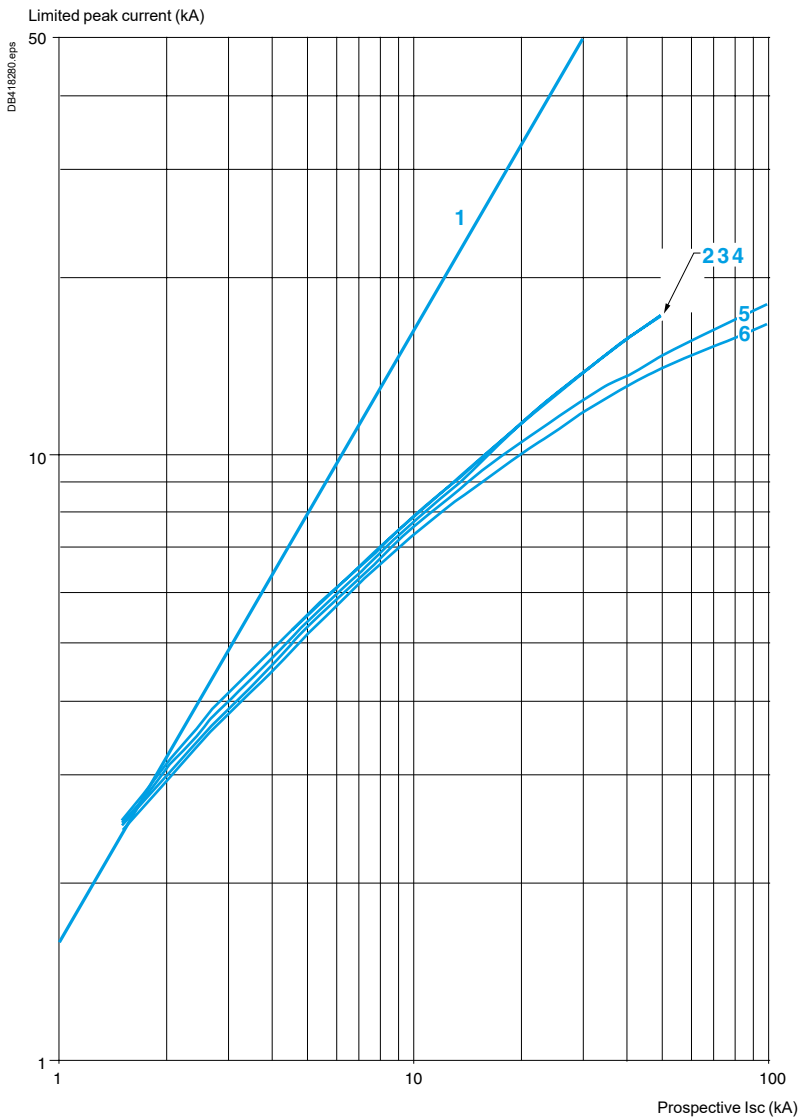
Dimensions:
p. B6/115 to B6/116

Schemes:
p. B6/117

Current limitation on short-circuit for GV3L (3-phase 400/415 V)

Dynamic stress

$I_{peak} = f(\text{prospective } I_{sc}) \text{ at } 1.05 U_e = 435 \text{ V}$



- 1 Maximum peak current
- 2 GV3L80 - GV3L73 - GV3L65
- 3 GV3L50
- 4 GV3L40
- 5 GV3L32
- 6 GV3L25

Motor
circuit
breakers

TeSys Power

Deca - Frame 3 Motor circuit breakers - Magnetic

Curves



References:
p. B6/26

Characteristics:
p. B6/102 to B6/104

Dimensions:
p. B6/115 to B6/116

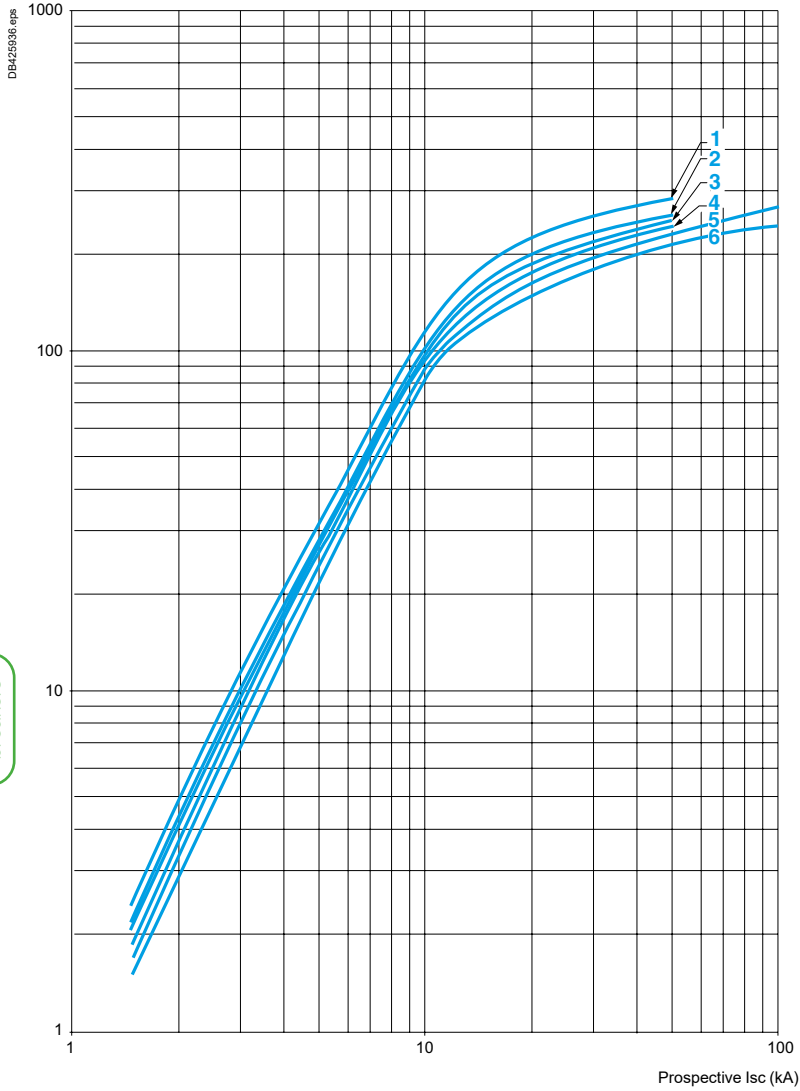
Schemes:
p. B6/117

Thermal limit on short-circuit for GV3L

Thermal limit in kA^2S

Sum of $I^2dt = f$ (prospective I_{sc}) at $1.05 U_e = 435 \text{ V}$

Sum of I^2dt (kA^2S)



- 1 GV3L73 - GV3L80
- 2 GV3L65
- 3 GV3L50
- 4 GV3L40
- 5 GV3L32
- 6 GV3L25



References:
p. B6/27

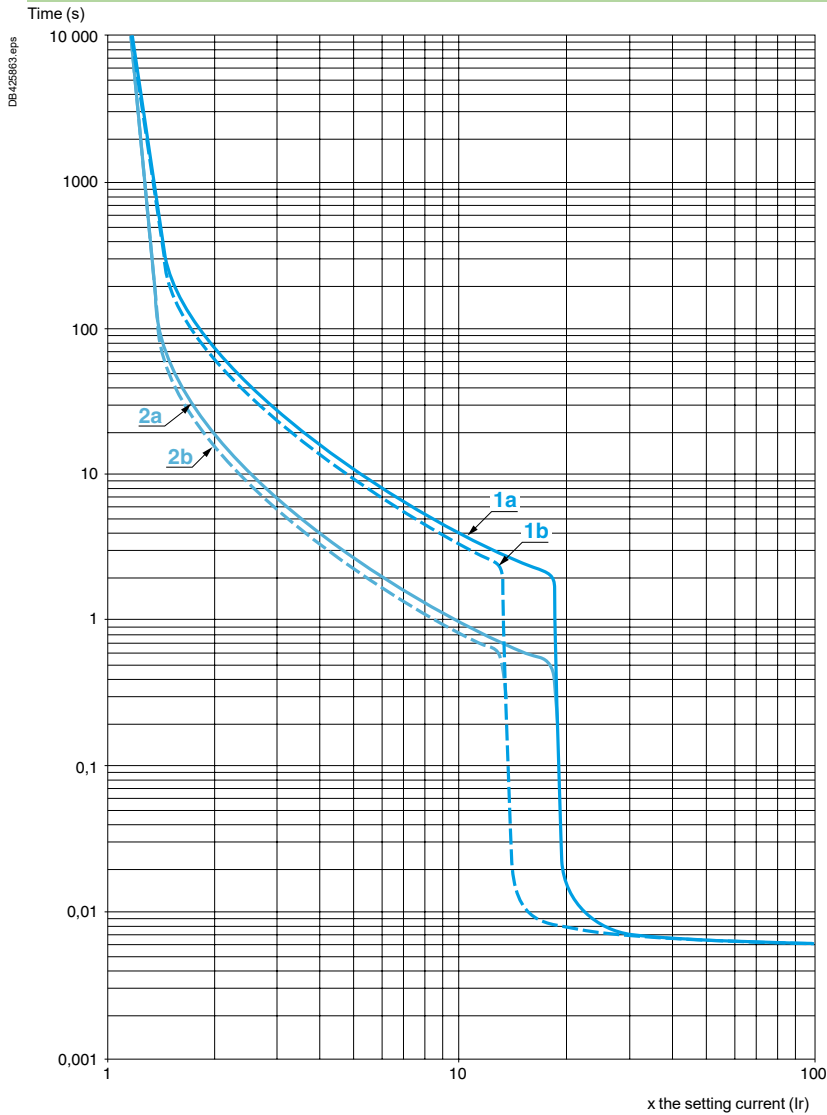
Characteristics:
p. B6/102 to B6/105

Dimensions:
p. B6/115

Schemes:
p. B6/117

Thermal-magnetic tripping curves for GV3P

Average operating times at 20 °C related to multiples of the setting current



- 1a 3 poles from cold state (I_r mini.): GV3P
- 1b 3 poles from cold state (I_r maxi.): GV3P
- 2a 3 poles from hot state (I_r mini.): GV3P
- 2b 3 poles from hot state (I_r maxi.): GV3P



References:
p. B6/27

Characteristics:
p. B6/102 to B6/105

Dimensions:
p. B6/115

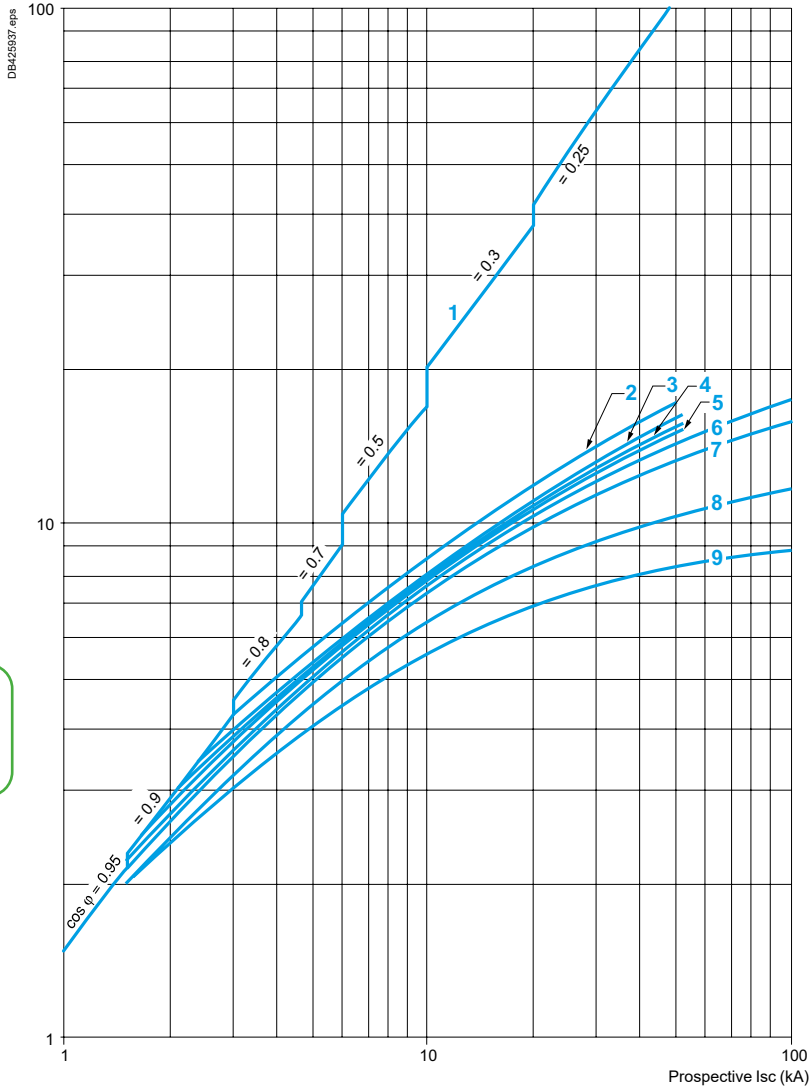
Schemes:
p. B6/117

Current limitation on short-circuit for GV3P (3-phase 400/415 V)

Dynamic stress

$I_{peak} = f(\text{prospective } I_{sc}) \text{ at } 1.05 U_e = 435 \text{ V}$

Limited peak current (kA)



- 1 Maximum peak current
- 2 70-80 A (GV3P80); 62-73 A (GV3P73)
- 3 48-65 A (GV3P65)
- 4 37-50 A (GV3P50)
- 5 30-40 A (GV3P40)
- 6 23-32 A (GV3P32)
- 7 17-25 A (GV3P25)
- 8 12-18 A (GV3P18)
- 9 9-13 A (GV3P13)

TeSys Power

Deca - Frame 3 Motor circuit breakers - Thermal-magnetic

Curves



References:
p. B6/27

Characteristics:
p. B6/102 to B6/105

Dimensions:
p. B6/115

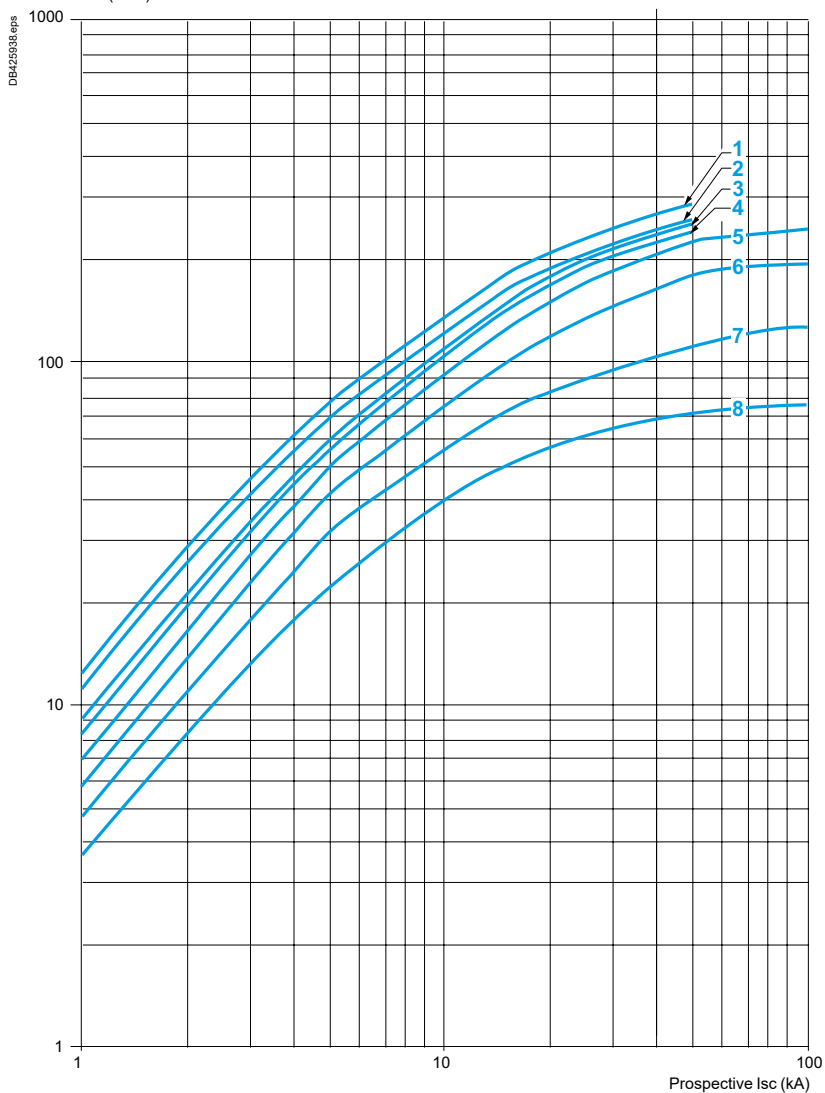
Schemes:
p. B6/117

Maximum thermal limit on short-circuit for GV3P

Thermal limit in kA²s in the magnetic operating zone

Sum of $I^2dt = f$ (prospective I_{sc}) at $1.05 U_e = 435 V$

Sum of I^2dt (kA²s)



- 1 70-80 (GV3P80) - 62-73 (GV3P73)
- 2 48-65 A (GV3P65)
- 3 37-50 A (GV3P50)
- 4 30-40 A (GV3P40)
- 5 23-32 A (GV3P32)
- 6 17-25 A (GV3P25)
- 7 12-18 A (GV3P18)
- 8 9-13 A (GV3P13)

Motor
circuit
breakers

TeSys Power

Electric trips for Deca - Frame 3 Motor circuit breakers

Characteristics



References:
p. B6/29

Dimensions:
p. B6/115

Schemes:
p. B6/117

Characteristics of GV3 electric trips				
Type of trip			GVAU●●● MN undervoltage trip	GVAS●●● MX shunt trip
Rated insulation voltage (Ui)	Conforming to IEC 60947-1	V	690	690
	Conforming to CSA C22-2 n°14, UL 508	V	600	600
Operational voltage (Ue)	Conforming to IEC 60947-1	V	0.85...1.1 Uc	0.7...1.1 Uc
Drop-out voltage		V	0.7...0.35 Uc	0.75...0.2 Uc
Inrush consumption		~ VA	12	14
Sealed consumption		~ VA	3.5	5
Operating time	Conforming to IEC 60947-1	ms	From the moment the voltage reaches its operational value until opening of the circuit breaker. 10...15	
On-load factor			100 %	
Cabling (spring connection)	Number of conductors		2 or 4	
	Solid cable	mm ²	1...2.5	
	Flexible cable without cable end	mm ² AWG	0.75...2.5	
	Flexible cable with cable end	mm ²	0.75...2.5	
Tightening torque		N.m	1.4 max	
Mechanical durability (C.O.: Close - Open)		C.O.	10000 (GV3P and GV3L)	

TeSys Power

Auxiliary contacts for Deca - Frame 3 Motor circuit breakers

Characteristics



References:
p. B6/29

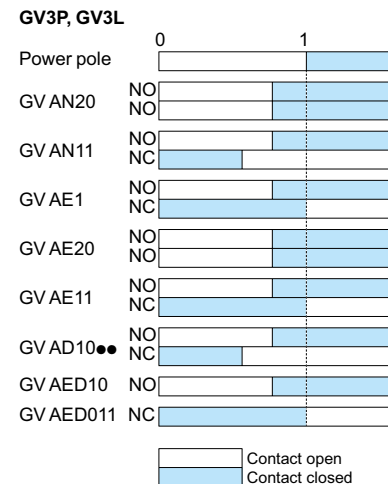
Dimensions:
p. B6/115

Schemes:
p. B6/117

Type of contacts			Instantaneous auxiliary GVAN, GVAD							Fault signalling GVAD, GVAM11 ⁽¹⁾				Instantaneous auxiliary GVAE						
Rated insulation voltage (Ui) (associated insulation coordination)	Conforming to IEC 60947-1	V	690							690				250 (690 in relation to main circuit)						
	Conforming to UL 60947-4-1, CSA C22.2 n° 60947-4-1	V	600							300				300						
Conventional thermal current (Ith)	Conforming to IEC 60947-5-1	A	6							2.5				2.5						
	Conforming to UL 60947-5-1, CSA C22.2 n° 60947-5-1	A	5							1				1						
Mechanical durability (C.O.: Close - Open)		C.O.	100 000							1000				100 000						
Operational power and current conforming to IEC 60947-5-1, a.c. operation			AC-15/100 000 C.O.							AC-14/1000 C.O.				AC-15/100 000 C.O.						
	Rated operational voltage (Ue)	V	48	110	230	380	440	500	690	24	48	110	230	24	48	110	230			
Operation	Operational power, normal conditions	VA	300	500	720	850	650	500	400	36	48	72	72	48	60	120	120			
	Occasional breaking and making capacities, abnormal conditions	kVA	3	7	13	15	13	12	9	0.22	0.3	0.45	0.45	0.48	0.6	1.27	2.4			
	Rated operational current (Ie)	A	6	4.5	3.3	2.2	1.5	1	0.6	1.5	1	0.5	0.3	2	1.25	1	0.5			
Operational power and current conforming to IEC 60947-5-1, d.c. operation			DC-13/100 000 C.O.							DC-13/1000 C.O.				DC-13/100 000 C.O.						
	Rated operational voltage (Ue)	V	24	48	60	110	240	-	-	24	48	60	-	24	48	60	-			
Operation	Operational power, normal conditions	W	140	240	180	140	120	-	-	24	15	9	-	24	15	9	-			
	Occasional breaking and making capacities, abnormal conditions	W	240	360	240	210	180	-	-	100	50	50	-	100	50	50	-			
	Rated operational current (Ie)	A	6	5	3	1.3	0.5	-	-	1	0.3	0.15	-	1	0.3	0.15	-			
Low power switching reliability of contact			GVAE: Number of failures for "n" million operating cycles (17 V-5 mA): = 10 ⁻⁶																	
Minimum operational conditions d.c. operation		V	17																	
		mA	5																	
Short-circuit protection			By GB2CB●● circuit breaker (rating according to operational current for Ue ≤ 415 V) or by gG fuse 10 A max											GB2CB06 or gG fuse 10 A max						
Cabling, screw clamp terminals	Number of conductors		1			2														
	Solid cable	mm²	1...2.5			1...2.5														
	Flexible cable without cable end	mm²	0.75...2.5			0.75...2.5														
	Flexible cable with cable end	mm²	0.75...1.5			0.75...1.5														
	Tightening torque	N.m	1.4 max			1.4 max														
Cabling, spring terminal connections			GVAN only																	
	Flexible cable without cable end	mm²	0.75...2.5			0.75...2.5				-				0.75...1.5						

Motor circuit breakers

Operation of instantaneous auxiliary contacts



Operation of fault signalling contacts

GVAM11
Change of state following tripping on short-circuit.

GVAD10●● and GVAD01●●
Change of state following tripping on short-circuit, overload or undervoltage.

(1) For application example of fault signalling contact and short-circuit signalling contact.
 (2) Add an RC circuit type **LA4D** to the load terminals.

DBA39593_aps



References:
p. B6/29

Dimensions:
p. B6/115

Characteristics of 3-pole busbars GV3G●●●

			GV3G●64
Rated insulation voltage (Ui)	Conforming to IEC 60947-1	V	690
Conventional thermal current (Ith)	Conforming to IEC 60439-1	A	115
Rated operational current (Ie)		A	115
Permissible peak current (I peak)		kA	20
Permissible thermal limit (I ² t)		kA²s	300
Degree of protection	Conforming to IEC 60529		IP 20
Terminal block			–

TeSys Power

Deca - Frame 3 Motor circuit breakers

Dimensions and mounting



References:
p. B6/26 to B6/27

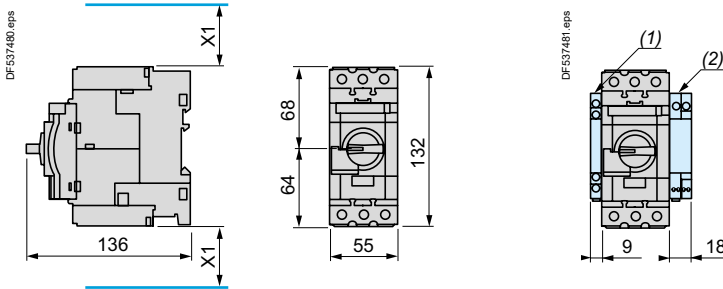
Characteristics:
p. B6/102 to B6/105

Curves:
p. B6/106 to B6/111

Schemes:
p. B6/117

GV3L, GV3P

Dimensions



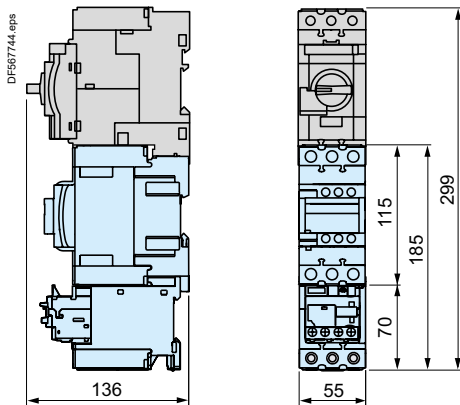
X1 = Electrical clearance (ISC max)
40 mm for $U_e \leq 500$ V, 50 mm for $U_e \leq 690$ V

(1) Blocks **GVAN**●●, **GVAD**●● and **GVAM11**.
(2) Blocks **GV3AU**●● and **GV3AS**●●.

Note: Leave a space of 9 mm between 2 circuit breakers: either an empty space or side-mounting add-on contact blocks.
Side by side mounting is possible up to 40 °C.

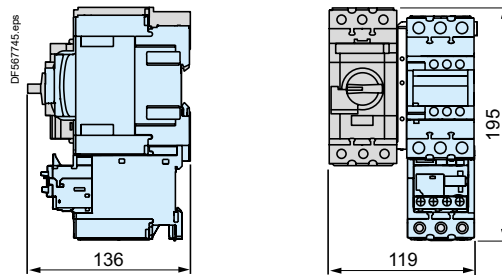
Mounting

Mounting with contactor LC1D40A...D80A and relay LR3D313...380 ⁽¹⁾ ⁽²⁾ ⁽³⁾

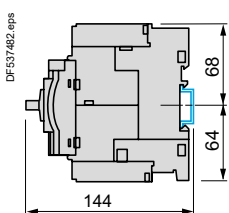


(1) Mountings with c.b. up to **GV3L73**, **GV3P73**.
(2) For **GV3L80**, **GV3P80** use cable between components for dissipating heat. Consult online datasheets for values
(3) S-shape busbar system suitable up to 73 A.

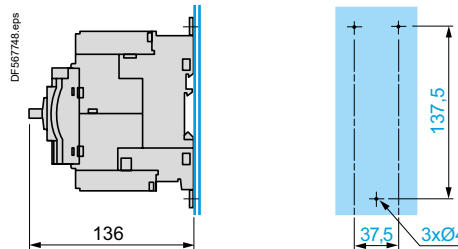
Side by side mounting with contactor LC1D40A...D73A (S-shape busbar system GV3S ⁽¹⁾)



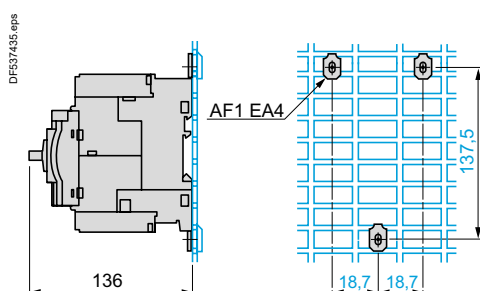
Mounting on rail AM1DE200 or AM1ED201



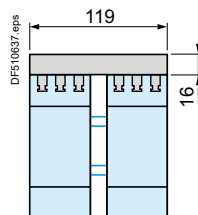
Panel mounting, using M4 screws



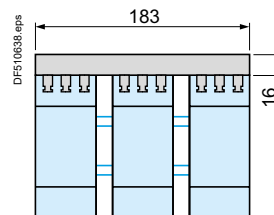
Mounting on pre-slotted plate AM1PA



Set of busbars GV3G264



Set of busbars GV3G364



Motor
circuit
breakers

TeSys Power

Deca - Frame 3 Motor circuit breakers

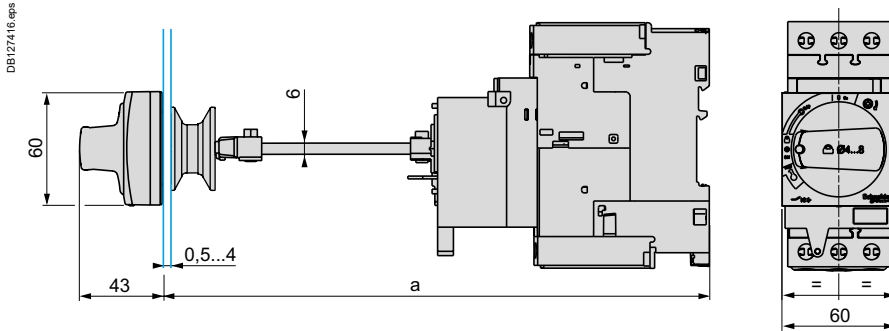
Dimensions and mounting



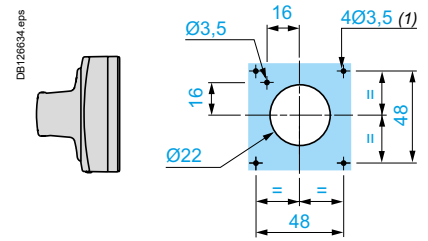
References:
p. B6/30

Mounting

Mounting of external operator GV3APN01, GV3APN02 or GV3APN04 for motor circuit breakers GV3L



Door cut-out



(1) For IP65 only.

	a		b	
	Mini	Maxi	Mini	Maxi
GV3APN●●	189	300	-	-
GV3APN●● + GVAPK12	300	481		

TeSys Power

Deca - Frame 3 Motor circuit breakers

Schemes



References:
p. B6/26 to B6/29

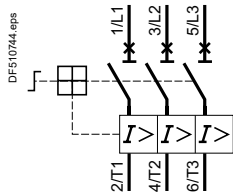
Characteristics:
p. B6/102 to B6/105

Curves:
p. B6/106 to B6/111

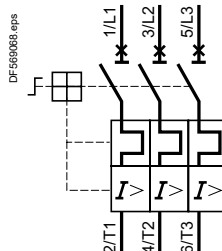
Dimensions:
p. B6/115

Schemes

GV3L●●



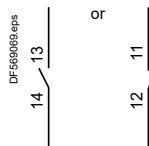
GV3P●●



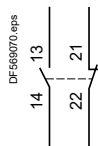
Front mounting add-on contact blocks

Instantaneous auxiliary contacts

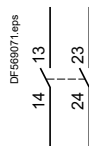
GVAE1



GVAE11



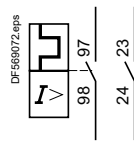
GVAE20



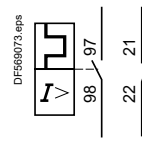
Front mounting add-on contact blocks

Instantaneous auxiliary contacts and fault signalling contacts

GVAED101



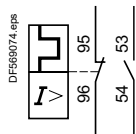
GVAED011



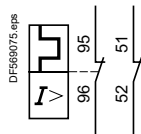
Side mounting add-on contact blocks

Instantaneous auxiliary contacts and fault signalling contacts

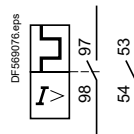
GVAD0110



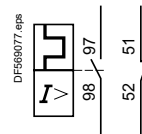
GVAD0101



GVAD1010

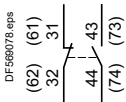


GVAD1001

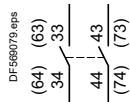


Instantaneous auxiliary contacts

GVAN11

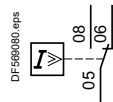


GVAN20



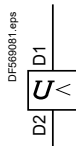
Short-circuit signalling contacts

GVAM11

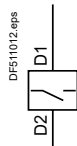


Voltage trips

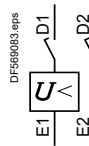
GVAU●●●



GVAS●●●

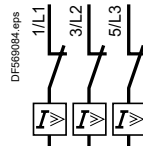


GVAX●●●

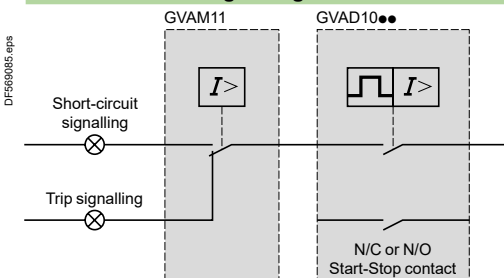


Current limiter

GV1L3

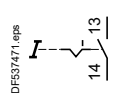


Use of fault signalling contact and short-circuit signalling contact

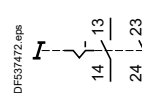


Start-Stop signalling contact blocks

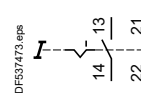
GK2AX10



GK2AX20

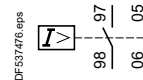


GK2AX50



Fault signalling contact blocks

GK2AX52



Motor
circuit
breakers

TeSys Deca - Frame 4

0.25 to 55 kW - 1/2 to 60 HP



Motor
circuit
breakers

TeSys Power

Deca - Frame 4 Motor circuit breakers

Characteristics



References:
p. B6/35 to B6/41

Curves:
p. B6/124 to B6/131

Dimensions:
p. B6/134 to B6/136

Schemes:
p. B6/137

Environment							
Circuit breaker type		GV4L	GV4LE	GV4P	GV4PE	GV4PEM	GV4PB
Conforming to standards		IEC/EN 60947-1, IEC/EN 60947-2, IEC/EN 60947-4-1		IEC/EN 60947-1, IEC/EN 60947-2, IEC/EN 60947-4-1, UL 60497-4-1, CSA 22.2 n° 60497-4-1		IEC/EN 60947-2, IEC/EN 60947-4-1	
Product certifications		CCC, EAC, BV, EU-RO MR ⁽¹⁾ , UKCA		CCC, EAC, CSA (cCSAus), ATEX, BV, EU-RO MR ⁽¹⁾ , UKCA		UL 489, CSA C22.2 n°5	
Climatic withstand		According to IACS E10					
Degree of protection (front face)	Conforming to IEC 60529	IP 40 front face except on connection area. Connection area: - IP20 with EverLink connector - IP40 with crimp lug connector and terminal shield.					
	Open mounted						
	In enclosure ⁽²⁾	DRH = IP40 ERH = IP54 or IP65					
Shock resistance	Conforming to IEC 60068-2-27	15g - 11 ms		15g - 11 ms			
Vibration resistance	Conforming to IEC 60068-2-6	2.0 to 13.2 Hz and amplitude ±1 mm 13.2 to 100 Hz acceleration 0.7 g					
Ambient air temperature	Storage	°C		-50...+85			
	Operation	°C		-25...+70			
Temperature compensation		°C		Non applicable		-25...+60 ⁽³⁾	
Flame resistance	Conforming to IEC 60695-2-11	°C		960			
Maximum operating altitude		m		2000 without derating. Up to 5000 with derating			
Suitable for isolation	Conforming to IEC 60947-1 § 7-1-6	Yes					
Resistance to mechanical impact		J		IK07 (2J)			
Sensitivity to phase failure				No		Yes	
Technical characteristics							
Utilisation category	Conforming to IEC 60947-2	A		A			
	Conforming to IEC 60947-4-1	AC-3 ⁽⁴⁾					
Rated operational voltage (U _e)	Conforming to IEC 60947-2	V		690			
Rated insulation voltage (U _i)	Conforming to IEC 60947-2	V		800			
Rated voltage	Conforming to CSA C22-2 n°1, UL 60947-4-1	V		Non applicable		600	
Rated operational frequency	Conforming to IEC 60947-4-1, UL, CSA	Hz		50/60			
Rated impulse withstand voltage (U _{imp})	Conforming to IEC 60947-2	kV		8			
Total power dissipated per pole		W		6.1		4.6	
Mechanical durability (C.O.: Closing, Opening)		C.O.		40000			
Electrical durability for AC-3/415V duty (C.O.: Closing, Opening)	415 V In	C.O.		5 000			
Duty class (maximum operating rate)		C.O./h		25			
Maximum conventional rated thermal current (I _{th})	Conforming to IEC 60947-4-1	A		115			
Rated duty	Conforming to IEC 60947-4-1	Continuous duty					

⁽¹⁾ Refer to chapter on page A5/144 for details on Marine Classification Societies.

⁽²⁾ DRH = with Direct Rotary Handle
ERH = with Extended Rotary Handle.

⁽³⁾ For operation up to 70 °C, please consult your regional sales office.

⁽⁴⁾ Up to 100 A.

TeSys Power

Deca - Frame 4 Motor circuit breakers

Characteristics



References:
p. B6/35 to B6/41

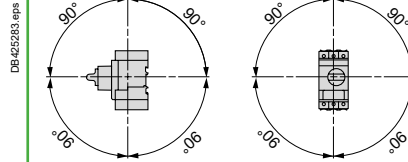
Curves:
p. B6/124 to B6/131

Dimensions:
p. B6/134 to B6/136

Schemes:
p. B6/137

Mounting characteristics

Operating position
Without derating, in relation to normal vertical mounting plane ⁽¹⁾



Power connection characteristics

Power connection by bare cables (EverLink connector)

Bare cables				
Connection to screw clamp terminals (Max. number of conductors x c.s.a.)	Solid cable	mm² AWG	Min. Cu 1 x 1.5 + 1 x 2.5 Cu 2 x 14	Max. Cu 1 x 70 + 1 x 95 Cu 1 x 2/0 + 1 x 3/0
	Flexible cable without cable end	mm² AWG	Cu 1 x 1.5 + 1 x 2.5 Cu 2 x 6	Cu 1 x 50 + 1 x 70 Cu 1 x 1/0 + 1 x 2/0
	Flexible cable with cable end	mm² AWG	Cu 1 x 1.5 + 1 x 2.5 Cu 2 x 6	Cu 1 x 50 + 1 x 70 Cu 1 x 1/0 + 1 x 2/0
Tightening torque		N.m	5 ≤ 10 mm ² / 8 AWG 9 ≥ 16 mm ² / 6 AWG	
Stripping length (h)	Solid cable	mm	20	

Power connection by bars or lugs

Bars or lugs				
Pitch	Without spreaders	mm	27	
	With spreaders	mm	35	
Bars or cables with lugs	e	mm	≤ 8	
	L	mm	≤ 20	
	d	mm	≤ 7	
	D	mm	6.4	
M6 Screws	Tightening torque	N.m	5 ≤ 10 mm ² / 8 AWG 9 ≥ 16 mm ² / 6 AWG	

⁽¹⁾ When mounting on a vertical rail, fit a stop to prevent any slippage.

Motor
circuit
breakers

TeSys Power

Deca - Frame 4 Motor circuit breakers - Magnetic Characteristics



References:
p. B6/35

Curves:
p. B6/124 to B6/128

Dimensions:
p. B6/134 to B6/136

Schemes:
p. B6/137

Breaking capacity of GV4L and GV4LE

Circuit breaker type			A	GV4L●●●B GV4LE●●●B				GV4L●●●N GV4LE●●●N							GV4LE●●●S				
				25	50	80	115	2	3.5	7	12.5	25	50	80	115	2	3.5	7	12.5
Breaking capacity conforming to IEC 60947-2	230/240 V	lcu	kA	50				100							120				
		lcs % ⁽¹⁾		100				100							100				
400/415 V	lcu	kA	25				50							100					
	lcs % ⁽¹⁾		100				100							100					
440 V	lcu	kA	20				50							70					
	lcs % ⁽¹⁾		100				100							100					
500 V	lcu	kA	10				25							30					
	lcs % ⁽¹⁾		100				100							100					
525 V	lcu	kA	-				15							18					
	lcs % ⁽¹⁾		-				100							100					
690 V	lcu	kA	-				8							10					
	lcs % ⁽¹⁾		-				25							25					

⁽¹⁾ As % of lcu.

Motor
circuit
breakers

TeSys Power

Deca - Frame 4 Motor circuit breakers - Thermal-magnetic

Characteristics



References:
p. B6/37 to B6/41

Curves:
p. B6/129 to B6/131

Dimensions:
p. B6/134 to B6/136

Schemes:
p. B6/137

Breaking capacity of GV4P, GV4PE, GV4PB●●●B																						
Circuit breaker type			GV4P●●●B GV4PE●●●B GV4PEM●●●B GV4PB●●●B					GV4P●●●N GV4PE●●●N GV4PEM●●●N GV4PB●●●N								GV4P●●●S GV4PE●●●S GV4PEM●●●S GV4PB●●●S						
			A	25	50	80	115	2	3.5	7	12.5	25	50	80	115	2	3.5	7	12.5	25	50	80
Rating																						
Breaking capacity conforming to IEC 60947-2	230/240 V	lcu	kA	50					100								120					
		ics % ⁽¹⁾		100					100								100					
	400/415 V	lcu	kA	25					50								100					
		ics % ⁽¹⁾		100					100								100					
	440 V	lcu	kA	20					50								70					
		ics % ⁽¹⁾		100					100								100					
	500 V	lcu	kA	10					25								30					
		ics % ⁽¹⁾		100					100								100					
	525 V	lcu	kA	-					15								18					
		ics % ⁽¹⁾		-					100								100					
	690 V	lcu	kA	-					8								10					
		ics % ⁽¹⁾		-					25								25					
Breaking capacity conforming to UL 60947-4-1 and CSA 22.2 n° 60947-4-1	120 V		kA	35					65								100					
	208 V		kA	35					65								100					
	240 V		kA	35					65								100					
	480Y / 277 V		kA	18					35								65					
	480 V ⁽²⁾		kA	18					35								65					
	600Y / 347 V		kA	14					18								25					
	600 V ⁽²⁾		kA	14					18								25					

⁽¹⁾ As % of lcu.

⁽²⁾ Except for MCC suitable for TAP conductor protection, in motor group installation and GV4PB.

Motor
circuit
breakers

TeSys Power

Deca - Frame 4 Motor circuit breakers - Magnetic

Curves



References:
p. B6/35

Characteristics:
p. B6/120 to B6/122

Dimensions:
p. B6/134 to B6/136

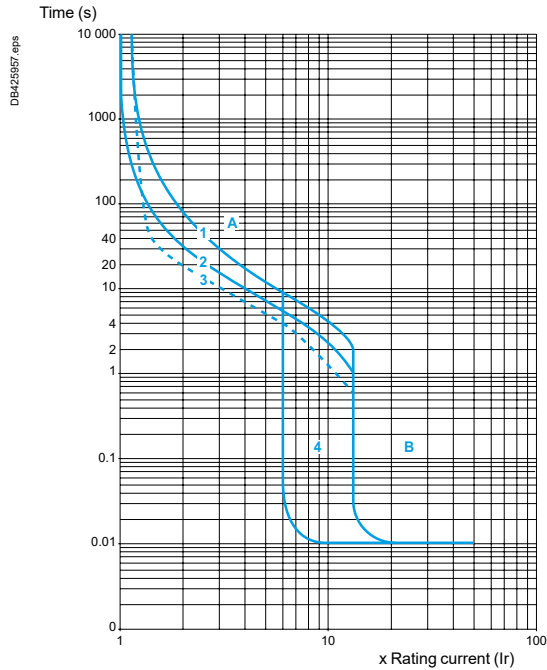
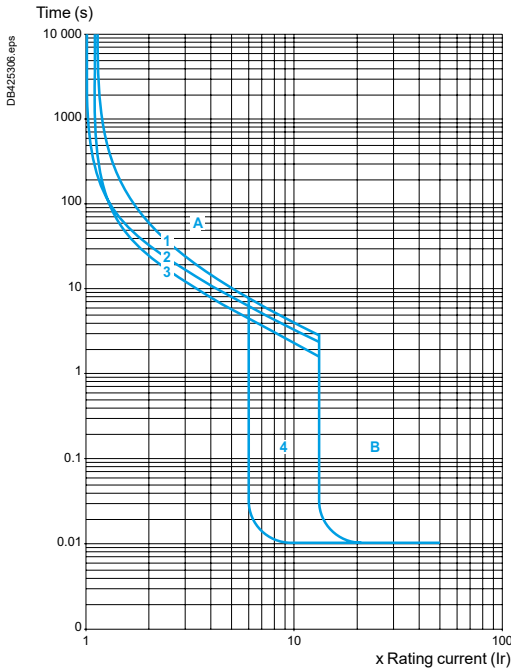
Schemes:
p. B6/137

Tripping curves for GV4L and GV4LE combined with thermal overload relay LRD or LR9

Average operating times at 20 ° C related to multiples of the setting current

GV4L02 and GV4LE02 to 12 with LRD05 to LRD14,
GV4L80 and GV4LE80 with LRD3363

GV4L25 AND GV4LE25 with LRD318, LRD325
GV4L50 AND GV4LE50 with LRD332, LRD340, LRD350

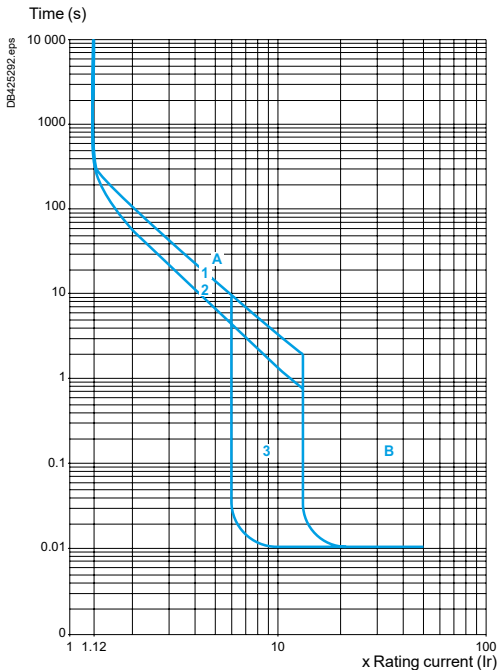


Motor
circuit
breakers

- 1 3 poles from cold state
 - 2 2 poles from cold state
 - 3 3 poles from hot state
 - 4 6 ...14 Ir
- A Thermal overload relay protection zone
 - B GV4L protection zone

- 1 3 poles from cold state
 - 2 2 poles from cold state
 - 3 3 poles from hot state
 - 4 6 ...14 Ir
- A Thermal overload relay protection zone
 - B GV4L protection zone

GV4L115 and GV4LE115 with class 10 LR9F5367, LR9D5369
and class 20 LR9D5567, LR9F5569



- 1 Cold state curve
- 2 Hot state curve
- 3 6 ...14 Ir

TeSys Power

Deca - Frame 4 Motor circuit breakers - Magnetic Curves



References:
p. B6/35

Characteristics:
p. B6/120 to B6/122

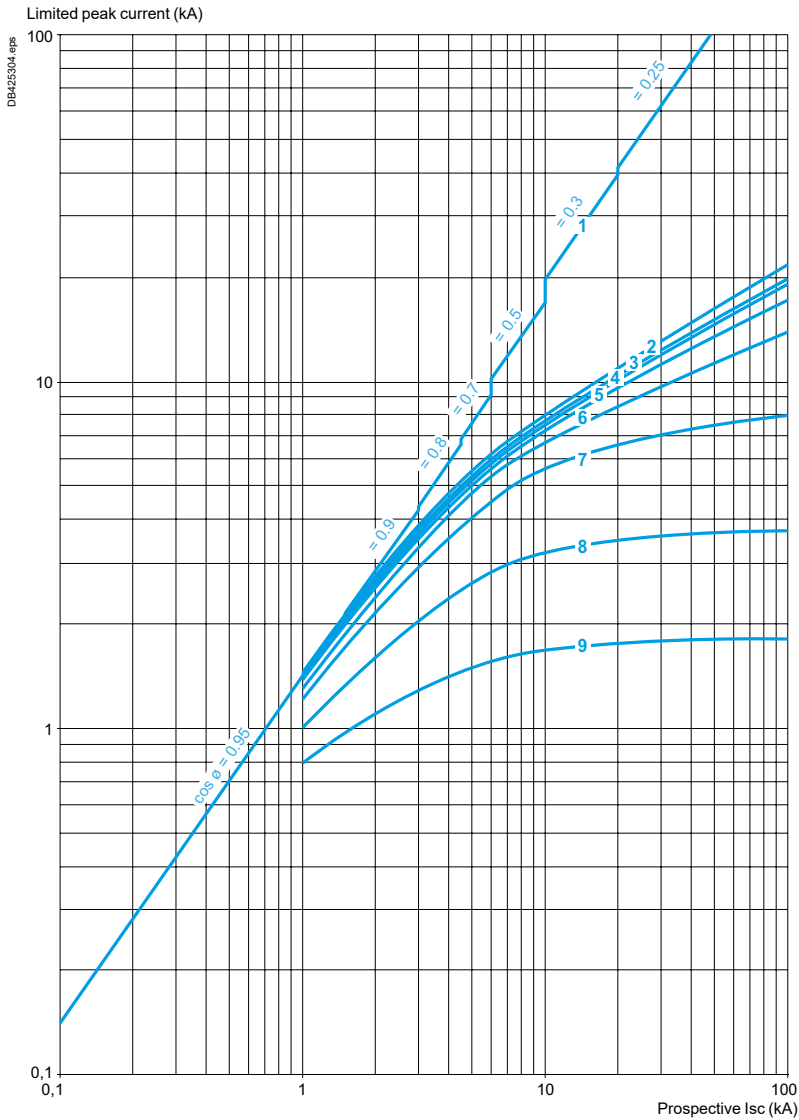
Dimensions:
p. B6/134 to B6/136

Schemes:
p. B6/137

Current limitation on short-circuit for GV4L, GV4LE (3-phase 400/415 V)

Dynamic stress

$I_{peak} = f(\text{prospective } I_{sc}) \text{ at } 1.05 U_e = 435 \text{ V}$



- 1 Maximum peak current
- 2 GV4L115
- 3 GV4L80
- 4 GV4L50
- 5 GV4L25
- 6 GV4L12
- 7 GV4L07
- 8 GV4L03
- 9 GV4L02

Motor
circuit
breakers

TeSys Power

Deca - Frame 4 Motor circuit breakers - Magnetic

Curves



References:
p. B6/35

Characteristics:
p. B6/120 to B6/122

Dimensions:
p. B6/134 to B6/136

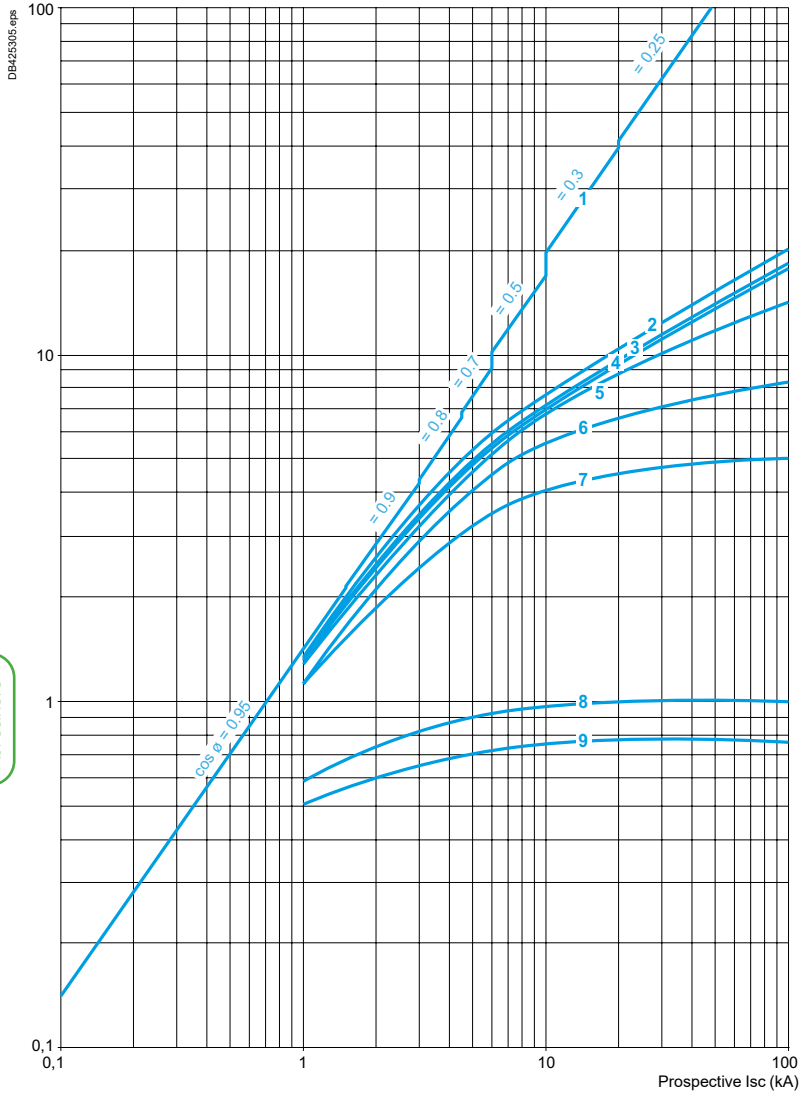
Schemes:
p. B6/137

Current limitation on short-circuit for GV4L, GV4LE + thermal overload relay LRD or LR9 (3-phase 400/415 V)

Dynamic stress

$I_{peak} = f(\text{prospective } I_{sc}) \text{ at } 1.05 U_e = 435 \text{ V}$

Limited peak current (kA)



- 1 Maximum peak current
- 2 GV4L115 + LR9D5367 or LR9F5367
- 3 GV4L80 + LRD3361
- 4 GV4L50 + LRD340
- 5 GV4L25 + LRD325
- 6 GV4L12 + LRD313
- 7 GV4L07 + LRD12
- 8 GV4L03 + LRD07
- 9 GV4L02 + LRD07

TeSys Power

Deca - Frame 4 Motor circuit breakers - Magnetic

Curves



References:
p. B6/35

Characteristics:
p. B6/120 to B6/122

Dimensions:
p. B6/134 to B6/136

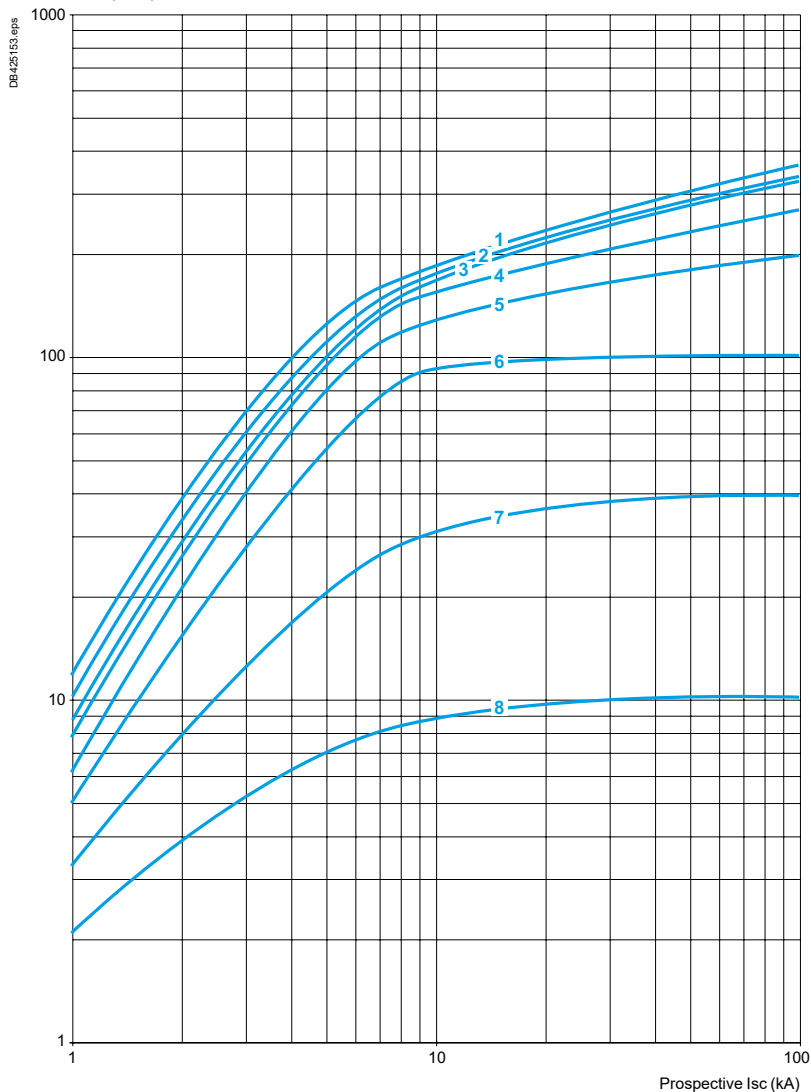
Schemes:
p. B6/137

Thermal limit on short-circuit for GV4L, GV4LE

Thermal limit in kA^2S

Sum of $kA^2S = f(\text{prospective } I_{sc})$ at $1.05 U_e = 435 V$

Sum of I^2dt (kA^2S)



- 1 GV4L115
- 2 GV4L80
- 3 GV4L50
- 4 GV4L25
- 5 GV4L12
- 6 GV4L07
- 7 GV4L03
- 8 GV4L02

Motor
circuit
breakers

TeSys Power

Deca - Frame 4 Motor circuit breakers - Magnetic

Curves



References:
p. B6/35

Characteristics:
p. B6/120 to B6/122

Dimensions:
p. B6/134 to B6/136

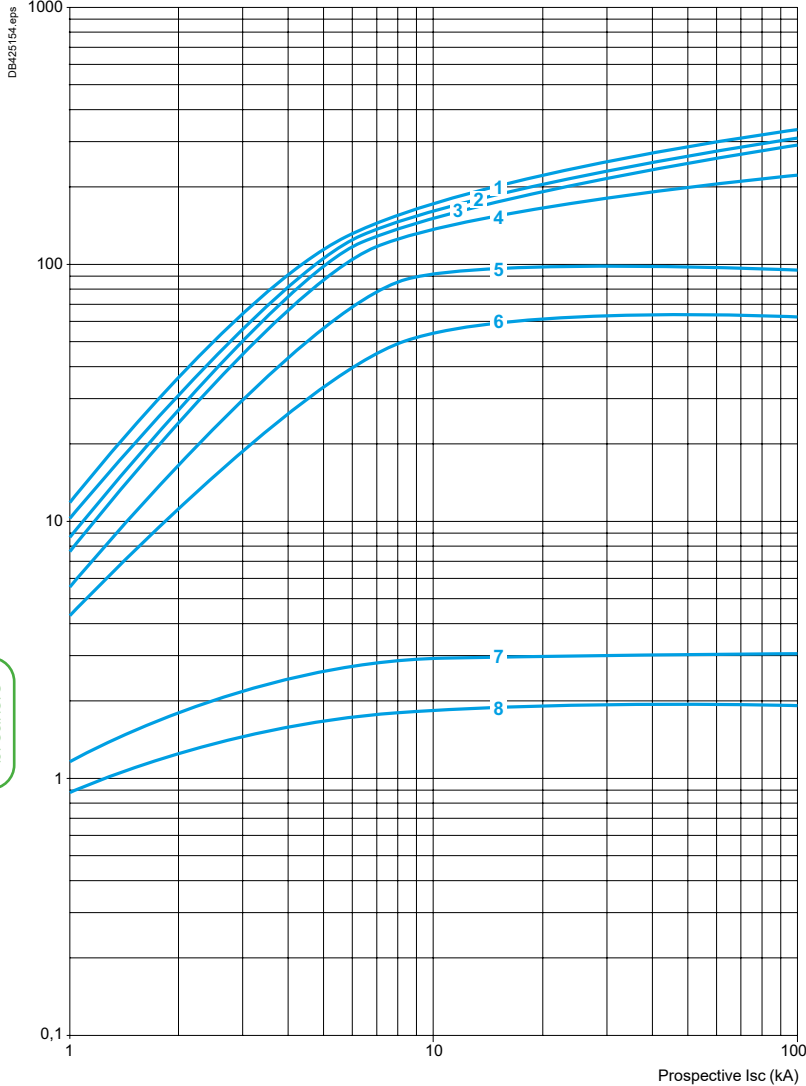
Schemes:
p. B6/137

Thermal limit on short-circuit for GV4L, GV4LE + thermal overload relay LRD or LR9

Thermal limit in kA^2S in the magnetic operating zone

Sum of $kA^2S = f(\text{prospective } I_{sc})$ at $1.05 U_e = 435 V$

Sum of I^2dt (kA^2S)



- 1 GV4L115 + LR9D5367 or LR9F5367
- 2 GV4L80 + LRD3361
- 3 GV4L50 + LRD340
- 4 GV4L25 + LRD325
- 5 GV4L12 + LRD313
- 6 GV4L07+ LRD12
- 7 GV4L03+ LRD07
- 8 GV4L02 + LRD07

TeSys Power

Deca - Frame 4 Motor circuit breakers - Thermal-magnetic

Curves



References:
p. B6/37 to B6/41

Characteristics:
p. B6/120 to B6/123

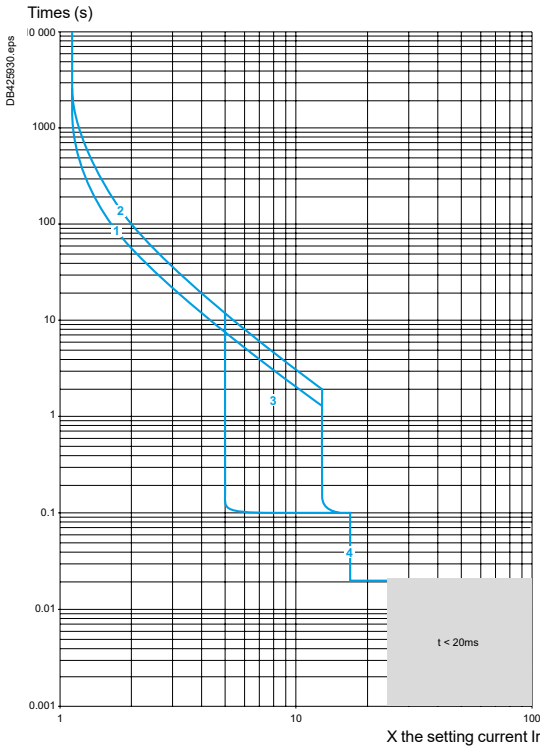
Dimensions:
p. B6/134 to B6/136

Schemes:
p. B6/137

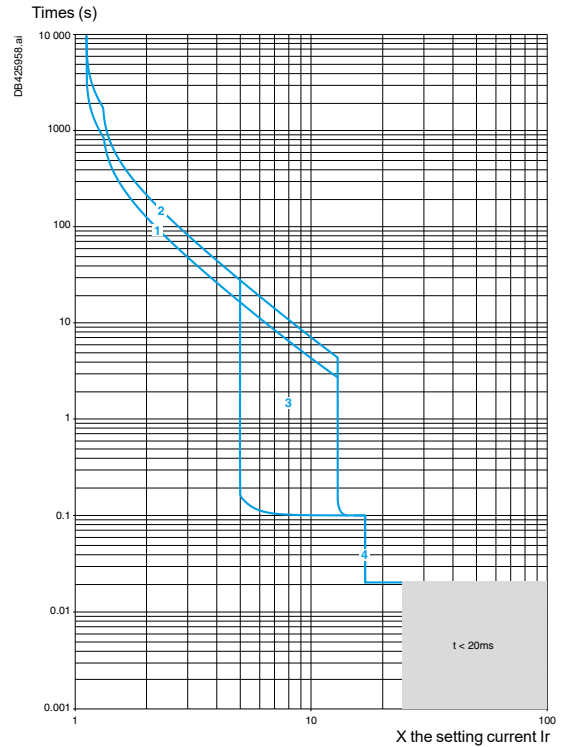
Thermal-magnetic tripping curves for GV4P, GV4PE, GV4PEM, GV4PB

Average operating times at 20 °C related to multiples of the setting current

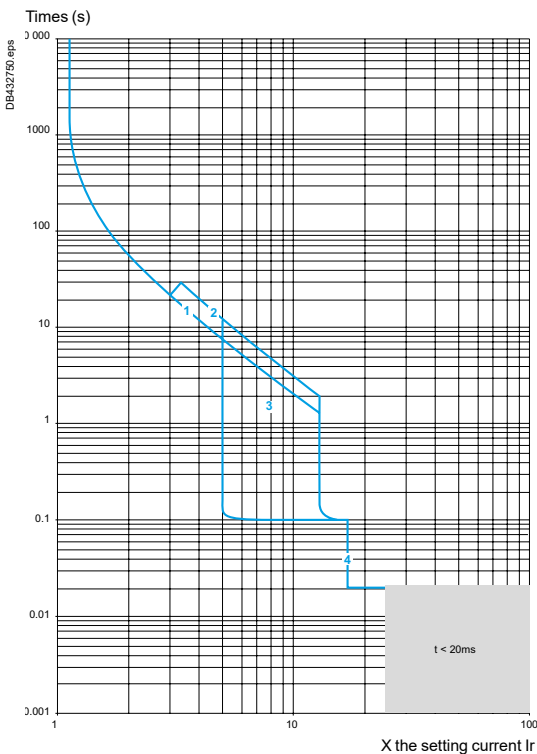
GV4P, GV4PE, GV4PEM



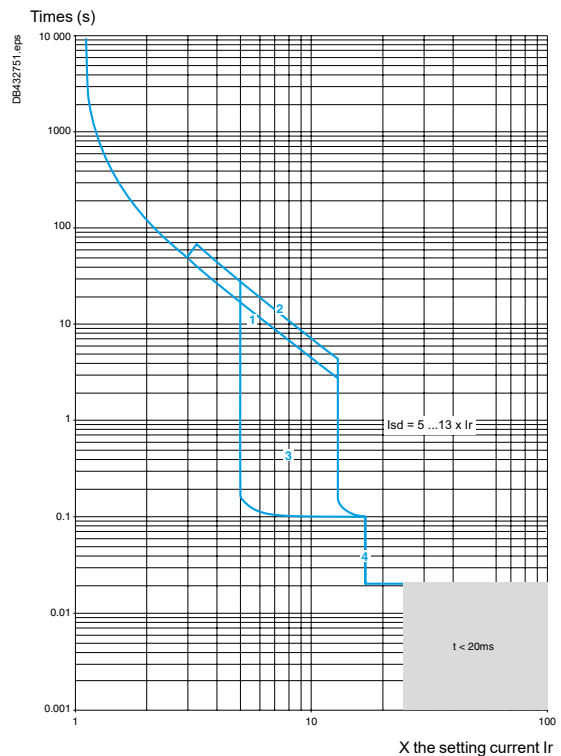
GV4P, GV4PE, GV4PEM



GV4PB



GV4PB



Hot state

- 1 Class 10
- 2 Class 20
- 3 Isd = 13 x Ir (GV4P - GV4PE); Isd = 5 ... 13 x Ir (GV4PEM - GV4PB)
- 4 li = 17 In

Cold state

- 1 Class 10
- 2 Class 20
- 3 Isd = 13 x Ir (GV4P - GV4PE); Isd = 5 ... 13 x Ir (GV4PEM - GV4PB)
- 4 li = 17 In

Motor
circuit
breakers



References:
p. B6/37 to B6/41

Characteristics:
p. B6/120 to B6/123

Dimensions:
p. B6/134 to B6/136

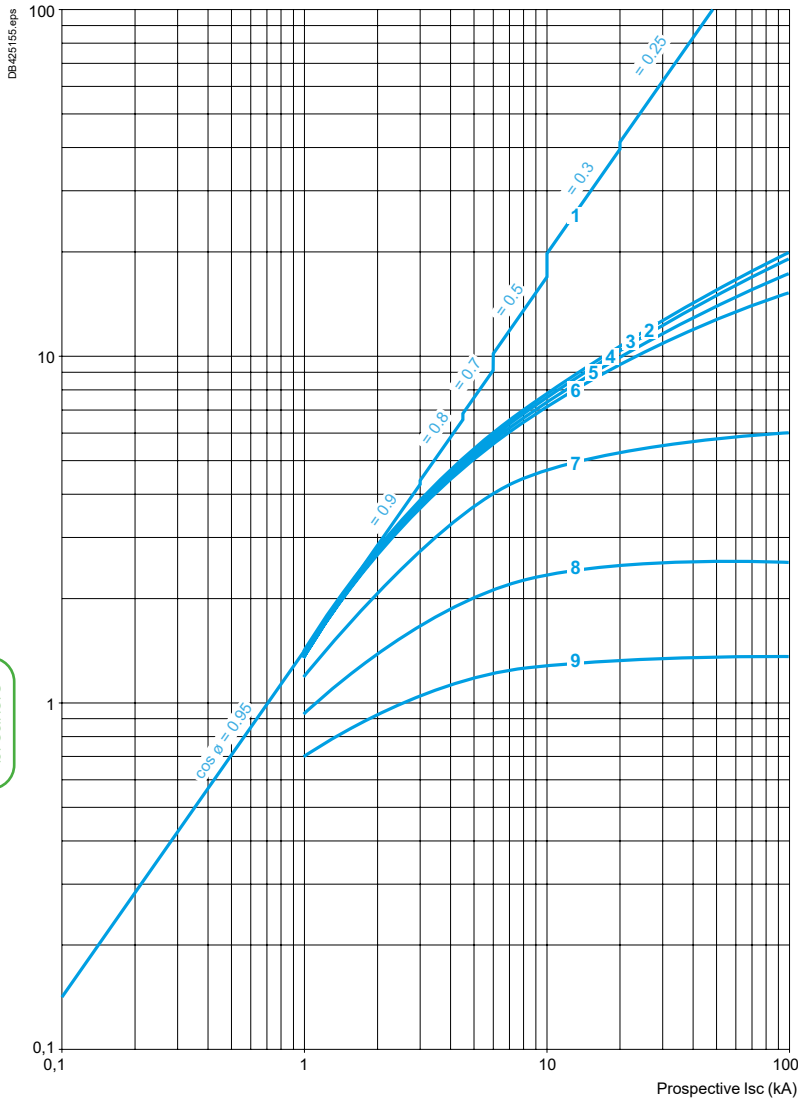
Schemes:
p. B6/137

Current limitation on short-circuit for GV4P, GV4PE, GV4PEM, GV4PB (3-phase 400/415 V)

Dynamic stress

$I_{peak} = f(\text{prospective } I_{sc}) \text{ at } 1.05 U_e = 435 \text{ V}$

Limited peak current (kA)



Motor
circuit
breakers

- 1 Maximum peak current
- 2 GV4P115
- 3 GV4P80
- 4 GV4P50
- 5 GV4P25
- 6 GV4P12
- 7 GV4P07
- 8 GV4P03
- 9 GV4P02

TeSys Power

Deca - Frame 4 Motor circuit breakers - Thermal-magnetic

Curves



References:
p. B6/37 to B6/41

Characteristics:
p. B6/120 to B6/123

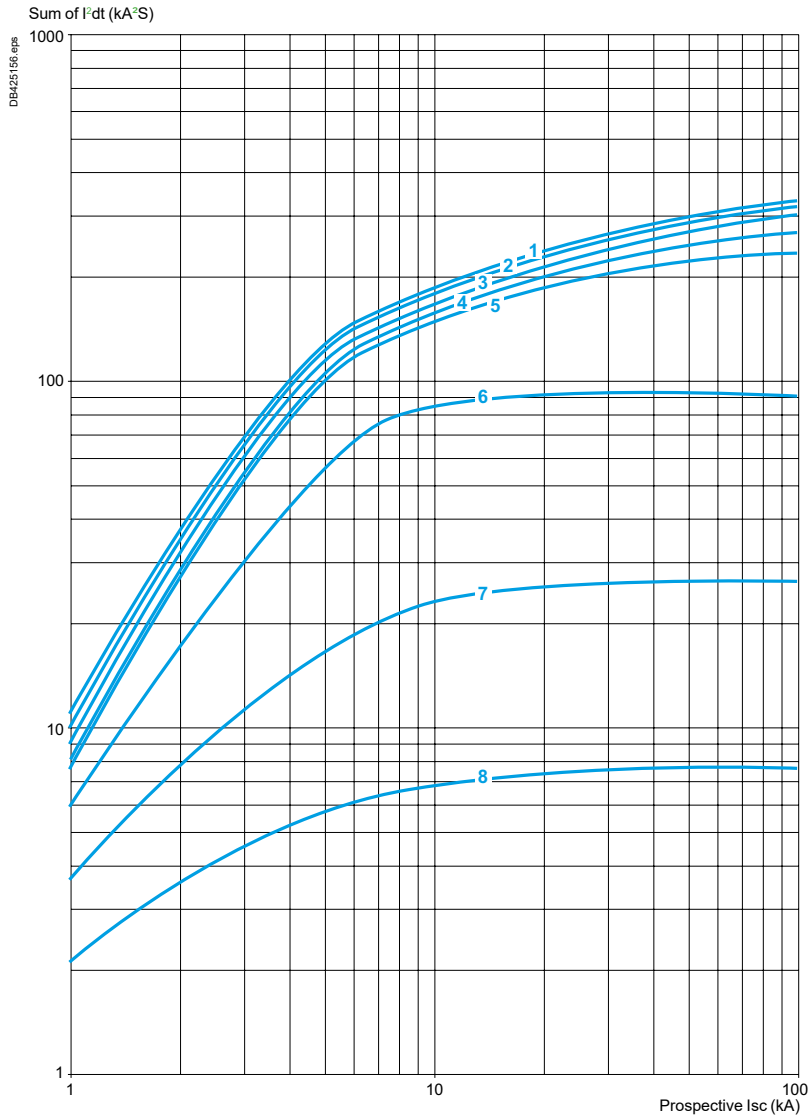
Dimensions:
p. B6/134 to B6/136

Schemes:
p. B6/137

Thermal limit on short-circuit for GV4P, GV4PE, GV4PEM, GV4PB

Thermal limit in kA^2s in the magnetic operating zone

Sum of $I^2dt = f$ (prospective I_{sc}) at $1.05 U_e = 435 V$



- 1 GV4P115
- 2 GV4P80
- 3 GV4P50
- 4 GV4P25
- 5 GV4P12
- 6 GV4P07
- 7 GV4P03
- 8 GV4P02

Motor
circuit
breakers



References:
p. B6/43

Characteristics of electric trips			GV4AU●●● MN (undervoltage release)						
Type of trip		V	= Ue						
Rated insulation voltage (Ui)	Conforming to IEC 60947-1								
Operational voltage (Ue)	Conforming to IEC 60947-1	V	24 V AC/DC	48 V AC/DC	110-130 V AC 125 V DC	208-240 V 60 Hz 220-240 V 50 Hz	277 V 60 Hz	380-415 V 60 Hz	440-480 V 60 Hz
Inrush consumption	~ ~ ~	VA	< 7 VA < 2 W	< 7 VA < 2 W	< 7 VA < 2 W	< 7 VA	< 7 VA	< 7 VA	< 7 VA
Sealed consumption	~ ~ ~	VA	< 7 VA < 2 W	< 7 VA < 2 W	< 7 VA < 2 W	< 7 VA	< 7 VA	< 7 VA	< 7 VA
Operating time	Conforming to IEC 60947-1	ms	< 50						
On-load factor			100 %						
Cabling (spring connection)	Number of conductors		1 per terminal						
	Solid cable	mm²	No solid cable allowed						
	Flexible cable without cable end	mm² AWG	Cu 0.5 mm ² to 1.5 mm ² Cu 20AWG to 16AWG						
	Flexible cable with cable end	mm²	No cable with cable end allowed						
Tightening torque		N.m	NA						
Mechanical durability (C.O.: Close - Open)		C.O.	20000						

Characteristics of electric trips			GV4AS●●● MX (Shunt trip)				
Type of trip		V	= Ue				
Rated insulation voltage (Ui)	Conforming to IEC 60947-1						
Operational voltage (Ue)	Conforming to IEC 60947-1	V	24 V AC/DC	48 V AC/DC	110-130 V AC 125 V DC	208-240 V 60 Hz 220-240 V 50 Hz	380-415 V 50 Hz 440-480 V 60 Hz
Inrush consumption	~ ~ ~	VA	< 6 VA < 10 W	< 6 VA < 10 W	< 6 VA < 10 W	< 6 VA	< 6 VA
Sealed consumption	~ ~ ~	VA	< 4 VA < 1 W	< 4 VA < 1 W	< 4 VA < 1 W	< 4 VA	< 4 VA
Operating time	Conforming to IEC 60947-1	ms	< 50				
On-load factor			100 %				
Cabling (spring connection)	Number of conductors		1 per terminal				
	Solid cable	mm²	No solid cable allowed				
	Flexible cable without cable end	mm² AWG	Cu 0.5 mm ² to 1.5 mm ² Cu 20AWG to 16AWG				
	Flexible cable with cable end	mm²	No cable with cable end allowed				
Tightening torque		N.m	NA				
Mechanical durability (C.O.: Close - Open)		C.O.	20000				

TeSys Power

Deca - Frame 4 Motor circuit breakers - Auxiliary contacts

Characteristics



References:
p. B6/42

Auxiliary contact characteristics														
Type of contacts			Auxiliary contact block GV4AE11						SDx contact module for GV4PEM , GV4PB, GV4ADM1111					
Rated insulation voltage(Ui)	Conforming to IEC 60947-1	V	690						250					
	Conforming to CSA C22-2 n°14 UL 508	V	-						-					
Conventional thermal current (Ith)	Conforming to IEC 60947-5-1	A	5						5					
	Conforming to CSA C22-2 n°14 UL 508	A	5						5					
Mechanical durability (C.O.: Close - Open)		C.O.	40 000						100 000					
Operational power and current conforming to IEC 60947-5-1 a.c. operation	Rated operational voltage (Ue)	V	24	48	110/ 127	230/ 240	380/ 440	660/ 690	48	110	230/ 240	380/ 415	440	690
	Operational power (AC12)	VA	120	240	635	1200	2200	3450			400			
	Occasional breaking and making capacities	kVA	1.2	2.4	6.35	12	22	34.5						
	Operational current (Ie)	AC-12	A	5	5	5	5	5	5					
		AC-15	A	5	5	4	3	2.5	0.1		3	1.5		
Operational power and current conforming to IEC 60947-5-1 d.c. operation	Rated operational voltage (Ue)	V	24	48	110	250			24	48	60	110	250	
	Operational power (DC12)	W	120	120	66	75			50					
	Occasional breaking and making capacities	W	1200	1200	660	750								
	Rated operational current (Ie)	DC-12	A	5	2.5	0.6	0.3							
		DC-13	A	2.5	1.2	0.35	0.05			2			0.22	0.11
DC-14	A	1	0.2	0.05	0.03									
Low power switching reliability of contact			10 ⁻⁶ at 17 V / 2 mA											
Minimum operational conditions d.c. operation		V	17											
		mA	2											
Short-circuit protection			5 A fuse gG conforming to IEC 60947-5-1											
Spring terminals cabling	Number of conductors		1 per hole											
	Solid cable	mm ²	-						0.2 to 1.5					
	Flexible cable without cable end	mm ²	0.5 to 1.5						0.2 to 2.5					
	Flexible cable with cable end	mm ²	-						0.25 to 1.5					

Motor
circuit
breakers

TeSys Power

Deca - Frame 4 Motor circuit breakers

Dimensions and mounting



References:
p. B6/35 to B6/48

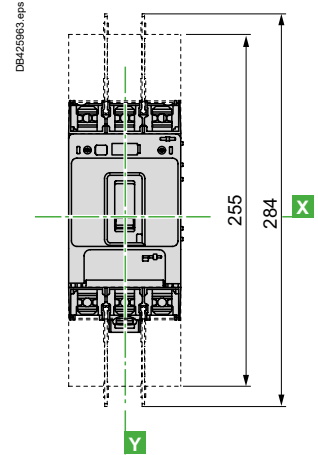
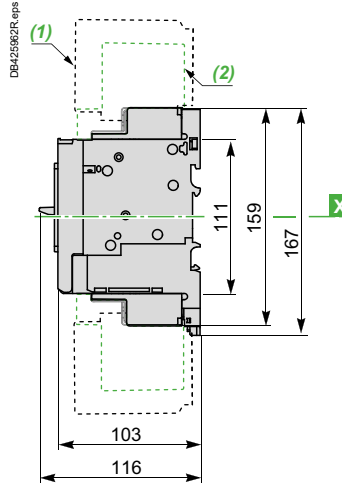
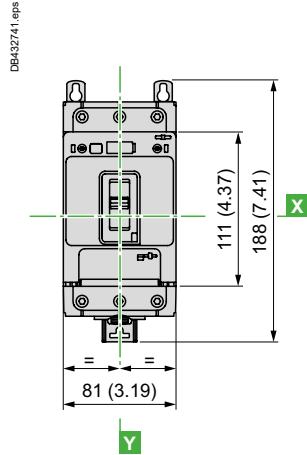
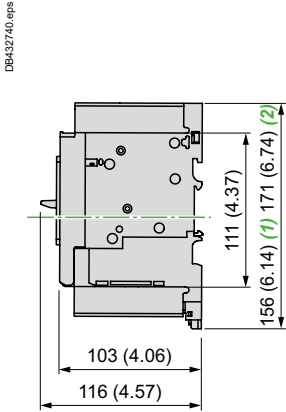
Characteristics:
p. B6/120 to B6/123

Curves:
p. B6/124 to B6/131

GV4 with toggle: GV4LE, GV4PE, GV4PEM, GV4PB

With EverLink® connector

With crimp lug connector



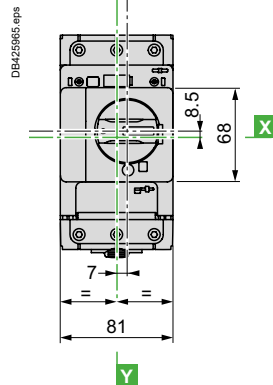
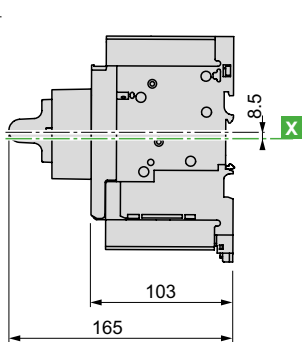
- (1) GV4LE, GV4PE, GV4PEM.
(2) GV4PB.

- (1) Interphase barriers.
(2) Long terminal shield.

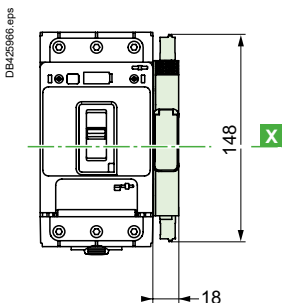
GV4 with rotary handle: GV4L, GV4P, or GV4LE, GV4PE, GV4PEM, GV4PB with GV4ADN01, GV4ADN02 direct mounting rotary handle

Dimensions

Motor circuit breakers



SDx module



TeSys Power

Deca - Frame 4 Motor circuit breakers

Dimensions and mounting



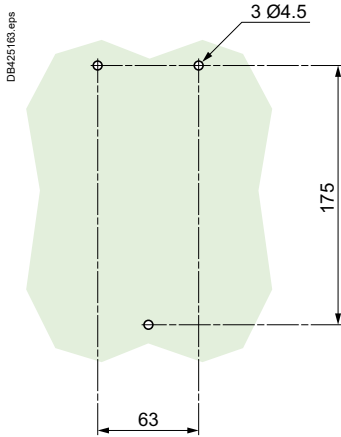
References:
p. B6/35 to B6/41

Characteristics:
p. B6/120 to B6/123

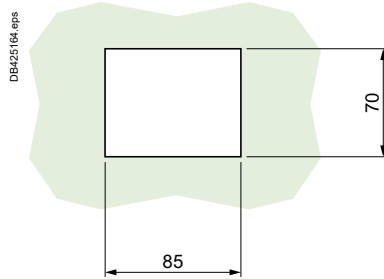
Curves:
p. B6/124 to B6/131

GV4L, GV4P, GV4LE, GV4PE, GV4PEM, GV4PB

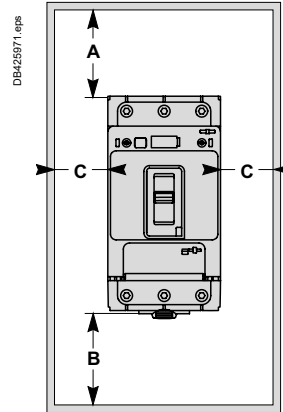
Panel mounting with M4 screws



Door cut-out for rotary handle



Minimum safety clearance



Toggle-type, rotary handle-type:
identical clearance values.

Safety clearance (mm)

	Painted sheet metal			Bare sheet metal		
	A	B	C	A	B	C
No accessory	30	0	0	40	0	5
Interphase barriers	0	0	0	0	0	5
Long terminal shield	0	0	0	0	0	5

Motor
circuit
breakers

TeSys Power

Deca - Frame 4 Motor circuit breakers

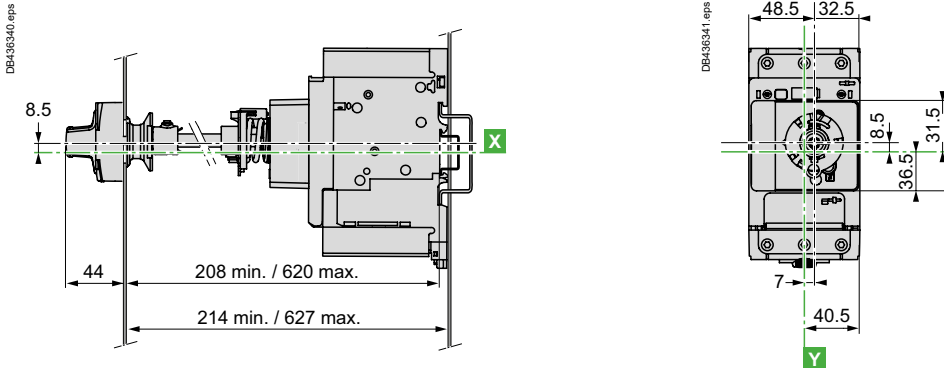
Dimensions and mounting



References:
p. B6/45 to B6/47

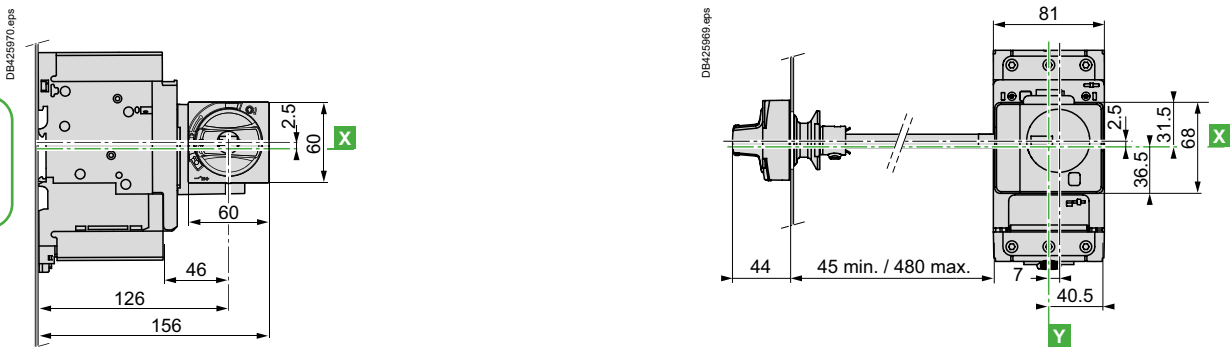
GV4 with extended rotary handle

Front extended rotary handle GV4APN01, GV4APN02, GV4APN04



Side (left or right) extended rotary handle LV426935, LV426936

Motor circuit breakers

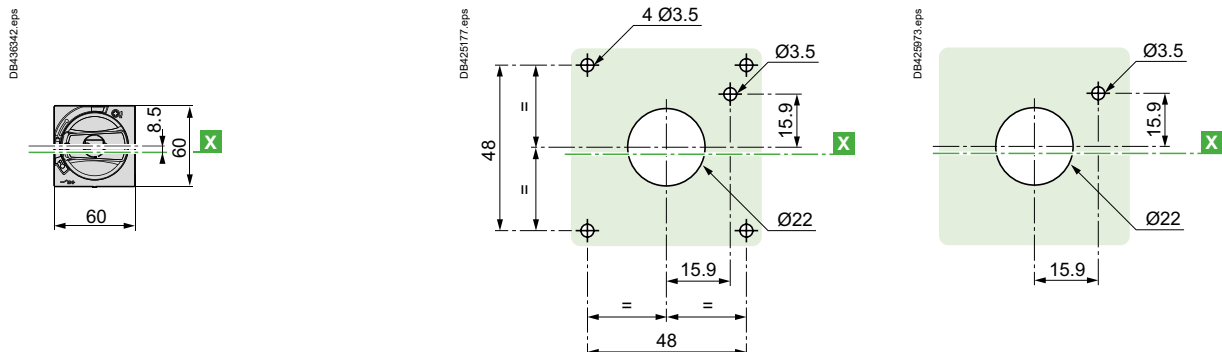


Front and side extended rotary handle, door/side panel cut-out

Front and side extended rotary handle

IP65, door panel cut-out

IP54, door/side panel cut-out



TeSys Power

Deca - Frame 4 Motor circuit breakers

Schemes



References:
p. B6/35 to B6/48

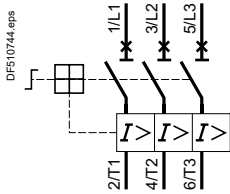
Characteristics:
p. B6/120 to B6/123

Curves:
p. B6/124 to B6/131

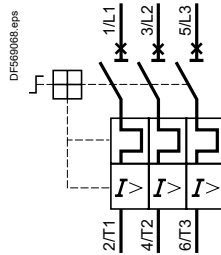
Dimensions:
p. B6/134 and B6/135

Magnetic motor circuit breakers

GV4L, GV4LE



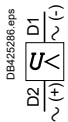
GV4P, GV4PE, GV4PEM, GV4PB



Accessories

Electrical trips

MN GV4AU●●●



MX GV4AS●●●



GV4AE11 auxiliary contacts

Used as OF contact

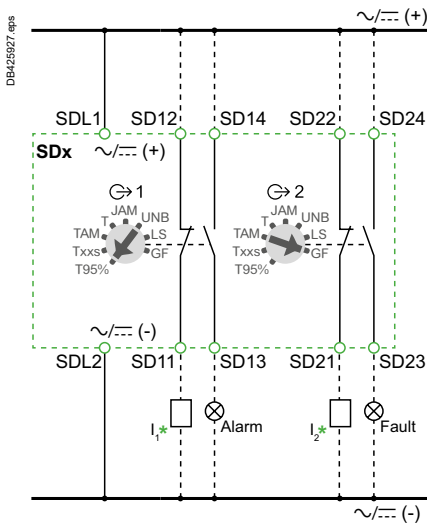


Used as SD contact



Side mounting add-on contact blocks

Instantaneous auxiliary contacts and fault signalling contacts



* I1, I2: PLC digital inputs - used as alarm inputs, as an example.

Motor
circuit
breakers

Motor
circuit
breakers

TeSys Giga - Frame 5, 6 55 to 250 kW



Motor
circuit
breakers

TeSys Power

Giga - Frame 5 - Frame 6 Motor circuit breakers - Thermal-magnetic

Characteristics



References:
p. B6/51

Curves:
p. B6/141 to B6/143

Dimensions:
p. B6/146 to B6/151

Schemes:
p. B6/152

Environment						
Circuit breaker type		GV5P/ GV6P				
Conforming to standards		IEC/EN 60947-4-1 IEC/EN 60947-2 UL 60947-4-1 CSA C22.2 n° 60947-4-1				
Product certifications		CB, UKCA, UL, CSA, EAC, DNV-GL ⁽¹⁾				
Climatic withstand		According to IACS E10				
Degree of protection (front face)	Conforming to IEC 60529	Bare circuit breaker with terminal shields Installed in switchboard	IP40 with direct rotary handle			
Shock resistance	Conforming to IEC 60068-2-27		IP40 with direct rotary handle / IP43 with MCC conversion accessory/ IP55 with extended rotary handle			
Vibration resistance	Conforming to IEC 60068-2-6		2.5 gn (25 Hz)			
Ambient air temperature	Storage in packing		°C	-50...+85		
	Operation	Open mounted	°C	-25... +70		
		In enclosure	°C	-25...+70		
Flame resistance	Conforming to IEC 60695-2-11		°C	960		
Maximum operating altitude			m	2000		
Suitable for isolation	Conforming to IEC 60947-1 § 7-1-6			Yes		
Resistance to mechanical impact			J	0.5		
Sensitivity to phase failure				Yes		
Technical characteristics						
Circuit breaker type		GV5P150 GV5P220 GV6P320 GV6P500				
Utilisation category	Conforming to IEC 60947-2	A				
	Conforming to IEC 60947-4-1	AC-3				
Rated operational voltage (Ue)	Conforming to IEC 60947-2	V	690			
Rated insulation voltage (Ui)	Conforming to IEC 60947-2	V	800			
Rated voltage	Conforming to UL 60947-4-1, CSA C22.2 n° 60947-4-1	V	600			
Rated operational frequency	Conforming to IEC 60947-4-1 UL, CSA	Hz	50/60			
Rated impulse withstand voltage (U imp)	Conforming to IEC 60947-2	kV	8			
Total power dissipated per pole		W	9.2	17.6	19.2	39.7
Mechanical durability (C.O.: Close, Open)		C.O.	40 000	20 000	15 000	15 000
Electrical durability for AC-3 duty	400/415 V (In)	C.O.	20 000	10 000	6 000	4 000
Duty class (maximum operating rate)		C.O./h	25			
Maximum conventional rated thermal current (Ith)	Conforming to IEC 60947-4-1	A	70...150	100...220	160...320	250...500
Rated duty	Conforming to IEC 60947-4-1		Continuous duty			
Mounting characteristics						
Operating position Without derating, in relation to normal vertical mounting plane		DB42528 steps				

⁽¹⁾ EAC & DNV-GL certifications are in progress. Please check with your nearest sales office for more details.

Motor circuit breakers



References:
p. B6/51 to B6/55

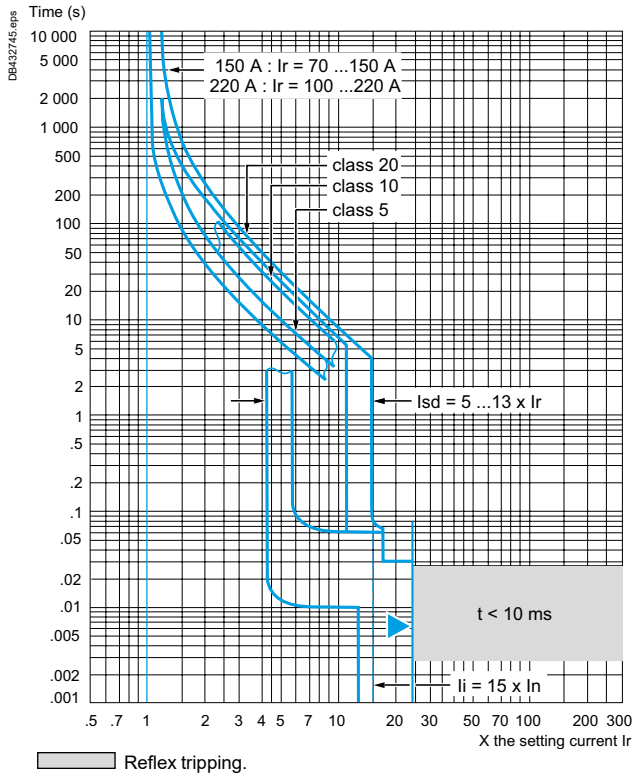
Characteristics:
p. B6/140

Dimensions:
p. B6/146 to B6/151

Schemes:
p. B6/152

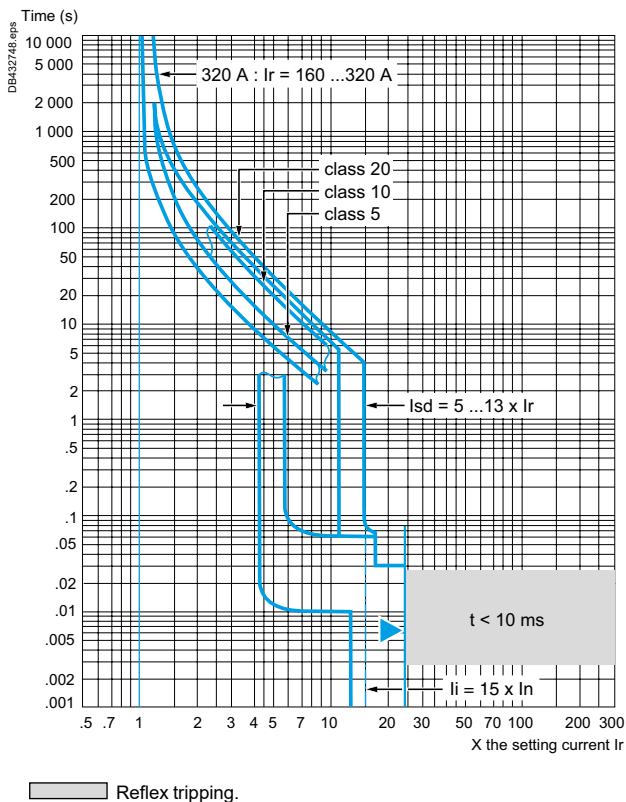
Thermal-magnetic tripping curves for GV5P

MicroLogic 2.2 M - 150/220 A

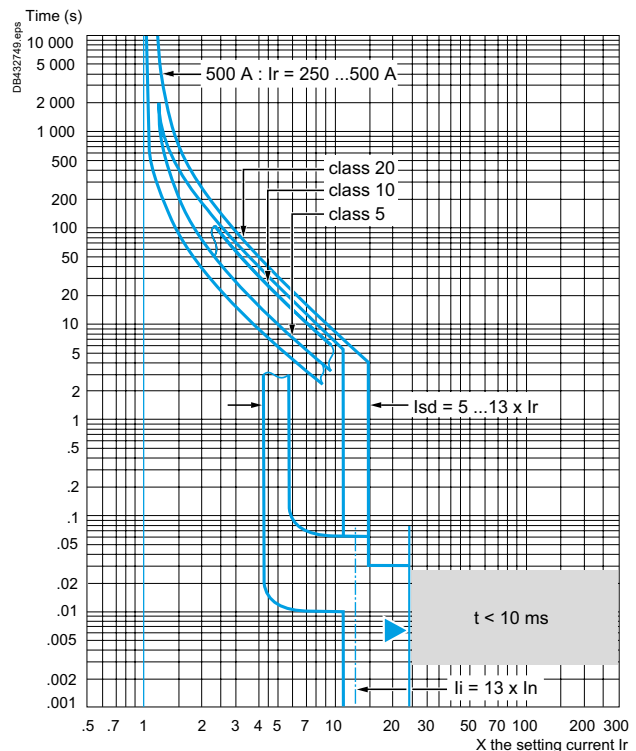


Thermal-magnetic tripping curves for GV6P

MicroLogic 2.3 M - 320 A



MicroLogic 2.3 M - 500 A





References:
p. B6/51 to B6/55

Characteristics:
p. B6/140

Dimensions:
p. B6/146 to B6/151

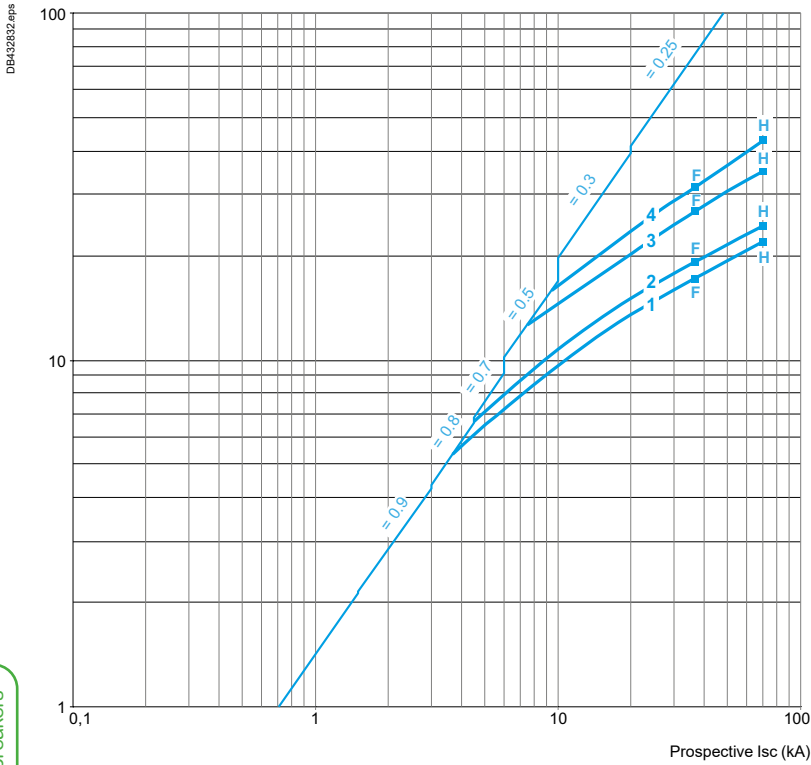
Schemes:
p. B6/152

Current limitation on short-circuit (3-phase 400 - 415 V)

Dynamic stress

For GV5P/6P●●●F/H type

Limited peak current (kA)



- 1 GV5P150F/H
- 2 GV5P220F/H
- 3 GV6P320F/H
- 4 GV6P500F/H

Motor
circuit
breakers



References:
p. B6/51 to B6/55

Characteristics:
p. B6/140

Dimensions:
p. B6/146 to B6/151

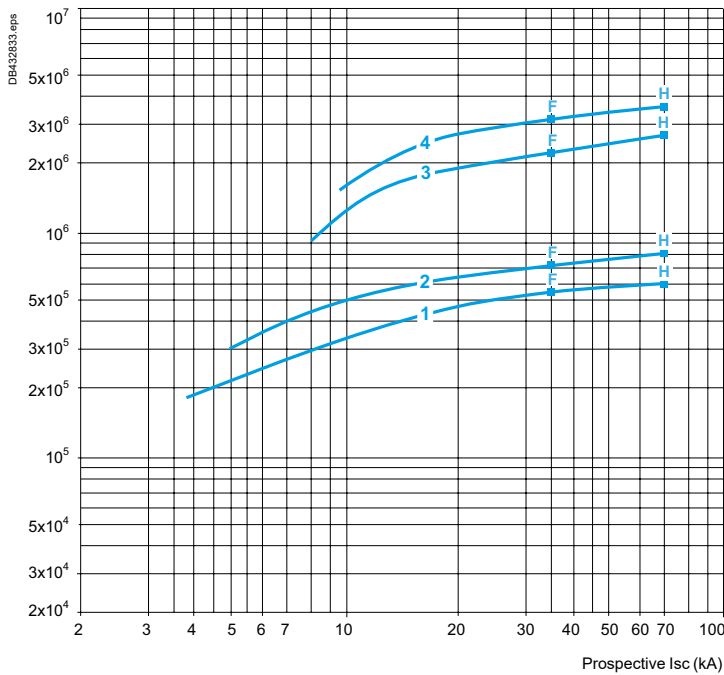
Schemes:
p. B6/152

Maximum thermal limit on short-circuit

Thermal limit in kA^2s in the magnetic operating zone

Sum of $I^2dt = f$ (prospective I_{sc}) at $1.05 U_e = 435 V$

Sum of I^2dt (A^2s)



- 1 GV5P150F/H
- 2 GV5P220F/H
- 3 GV6P320F/H
- 4 GV6P500F/H



References:
p. B6/52 to B6/56

Characteristics:
p. B6/140

Dimensions:
p. B6/146 to B6/151

Schemes:
p. B6/152

Characteristics of GV5P/GV6P electric trips

Type of trip			LV42940● undervoltage trip	LV42938● shunt trip
Rated insulation voltage (Ui)	Conforming to IEC 60947-1	V	690	690
	Conforming to CSA C22-2 n°14, UL 508	V	600	600
Operational voltage (Ue)	Conforming to IEC 60947-1	V	0.85...1.1 Uc	0.7...1.1 Uc
Drop-out voltage		V	0.7...0.35 Uc	0.7...0.35 Uc
Inrush consumption	~	VA	< 10	
Sealed consumption	~	VA	< 5	
Operating time	Conforming to IEC 60947-1	ms	From the moment the voltage reaches its operational value until opening of the circuit breaker. < 50	
On-load factor			100 %	
Cabling	Number of conductors		1	
	Solid cable	mm ²	1.5	
	Flexible cable without cable end	mm ²	1.5	
	Flexible cable with cable end	mm ²	1	
Tightening torque		N.m	1.2	
Mechanical durability (C.O.: Close - Open)		C.O.	50 % of the mechanical durability of the circuit breaker.	

Characteristics of GV5P/GV6P thermal fault module

Type of trip			LV429424 ⁽¹⁾
Operational voltage (Ue)	Conforming to IEC 60947-1	V	24 to 415 V AC/ DC
Conventional thermal current (Ith)	Conforming to IEC 60947-5-1	A	80 mA max.

(1) LV429424 takes the place of the AU/AS electric trip coil and an auxiliary contact.



References:
p. B6/52 to B6/56

Characteristics:
p. B6/140

Dimensions:
p. B6/146 to B6/151

Schemes:
p. B6/152

Auxiliary contact characteristics													
Type of contacts			29450					29452					
Rated insulation voltage(Ui) (associated insulation coordination)	Conforming to IEC 60947-1	V	690					690					
Conventional thermal current (Ith)	Conforming to IEC 60947-5-1	A	6					5					
Mechanical durability (C.O.: Close - Open)		C.O.	50 000					50 000					
Operational current conforming to IEC 60947-5-1 a.c. operation			AC-12 or AC-15. 50 000 C.O.					AC-12 or AC-15. 50 000 C.O.					
	Rated operational voltage (Ue)	V	24	48	110	220/240	380/440	690	24	48	110	230/240	380/415
	Rated operational current (Ie)												
	AC-12	A	6	6	6	6	6	6	5	5	5	5	5
	AC-15	A	6	6	5	4	2	0.1	3	3	2.5	2	1.5
Operational current conforming to IEC 60947-5-1 d.c. operation			DC-12 or DC-14. 50 000 C.O.					DC-12 or DC-14. 50 000 C.O.					
	Rated operational voltage (Ue)	V	24	48		110	250	24	48		110	250	
	Rated operational current (Ie)												
	DC-12	A	6	2.5		0.6	0.3	5	2.5		0.6	0.3	
	DC-14	A	1	0.2		0.05	0.03	1	0.2		0.05	0.03	
Minimum operational conditions d.c. operation		V	24					4					
		mA	100					1					
Short-circuit protection			By GB2CB●● circuit breaker (rating according to operational current for Ue ≤ 415 V) or gG fuse, 10 A max.										
Cabling	Solid cable	mm ²	1 x 1.5 conductor					1 x 1.5 conductor					
	Flexible cable without cable end	mm ²	1 x 1.5 conductor					1 x 1.5 conductor					
	Flexible cable with cable end	mm ²	1 x 1.5 conductor					1 x 1.5 conductor					

TeSys Power

Giga - Frame 5 - Frame 6 Motor circuit breakers

Dimensions and mounting



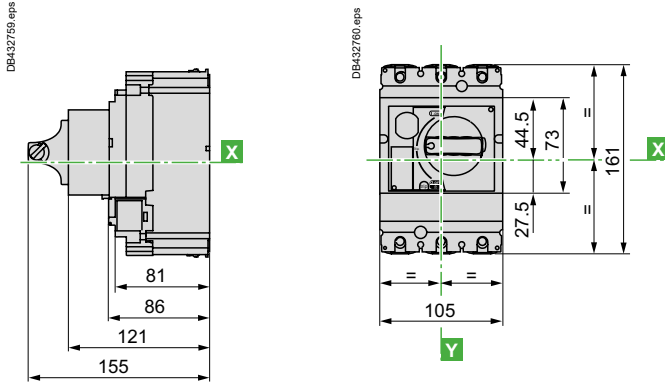
References:
p. B6/51 to B6/56

Characteristics:
p. B6/140

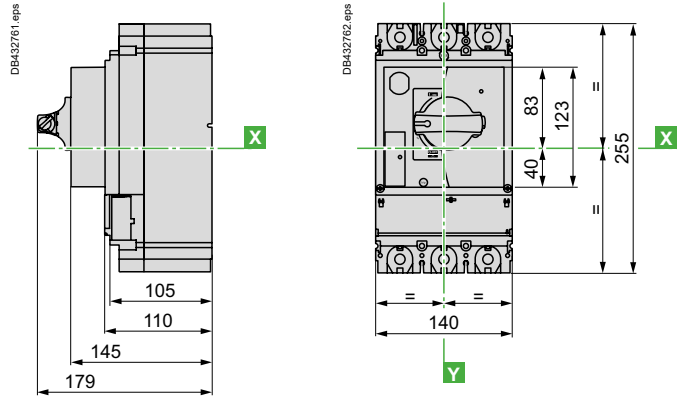
Curves:
p. B6/141 to B6/143

Schemes:
p. B6/152

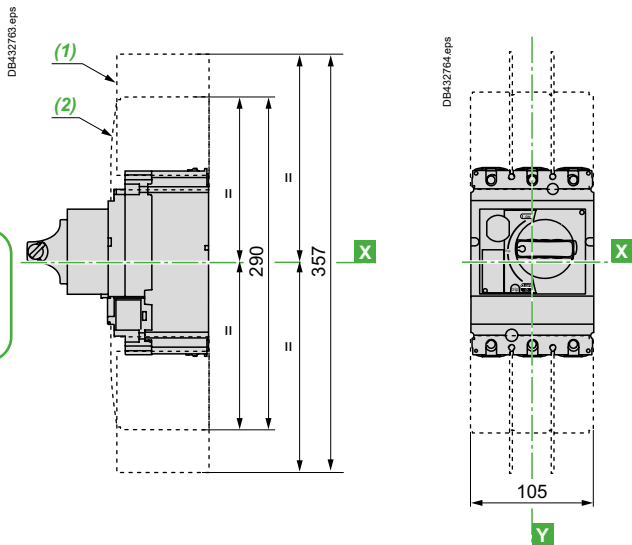
GV5P Dimensions



GV6P Dimensions



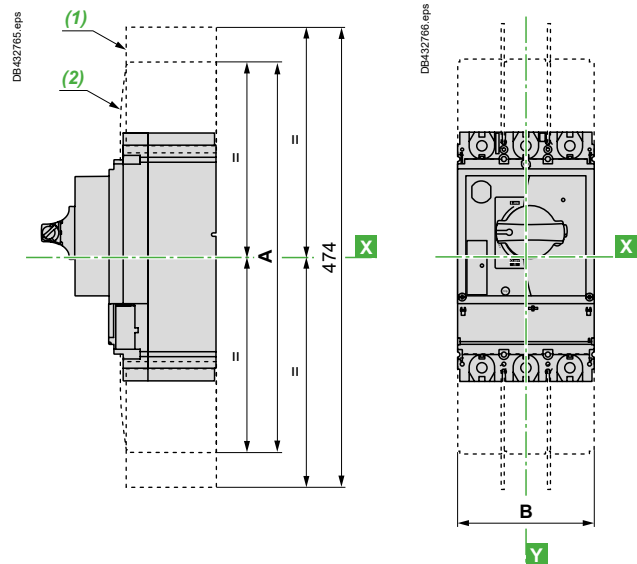
With long terminal shields or interphase barriers GV5P + GV7AC04/GV7AC01



Motor circuit breakers

- (1) Interphase barriers: GV7AC04.
- (2) Terminal shield: GV7AC01.

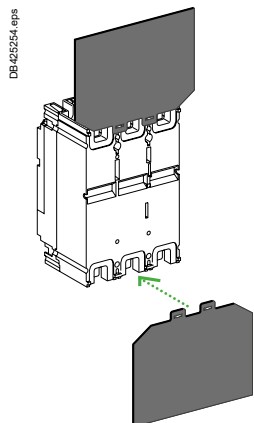
GV6P + LV432593 / LV432595 / LV432570



- (1) Interphase barriers: LV432570.
- (2) Terminal shield: LV432593 (45mm) / LV432595 (52.5mm).

	A	B
LV432593	400	140
LV432595	480	157.5

Insulating screen



Motor circuit breaker	GV5P + GV7AC05	GV6P + LV432578
3P W x H x thickness (mm)	140 x 105 x 1	203 x 175 x 1.5

TeSys Power

Giga - Frame 5 - Frame 6 Motor circuit breakers

Dimensions and mounting



References:
p. B6/51 to B6/56

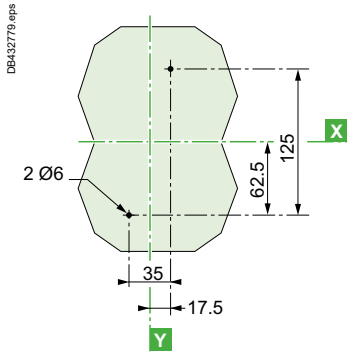
Characteristics:
p. B6/140

Curves:
p. B6/141 to B6/143

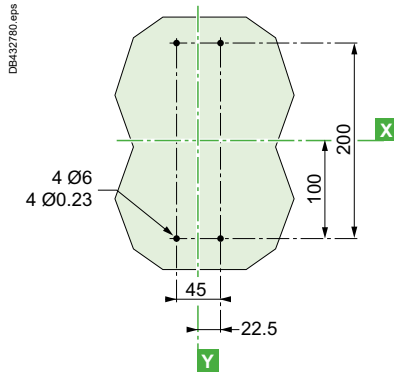
Schemes:
p. B6/152

GV5P/GV6P

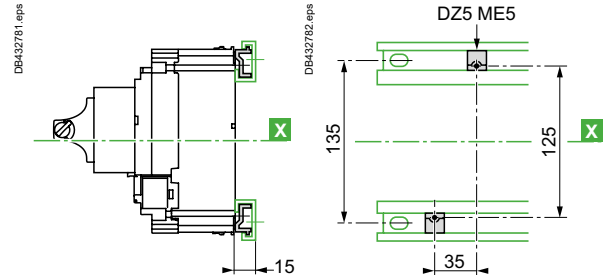
Panel mounting - GV5P



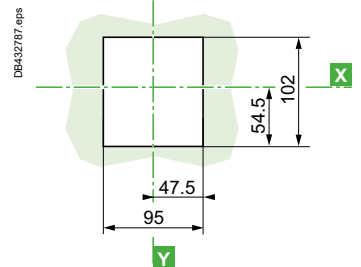
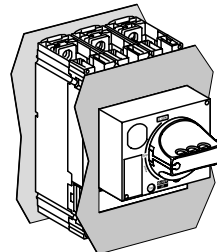
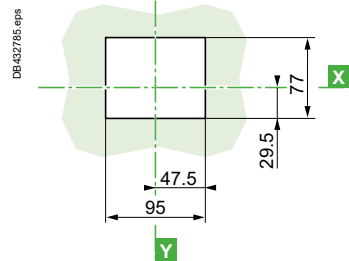
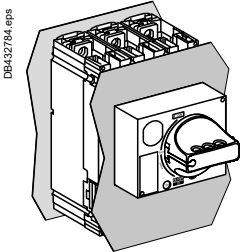
Panel mounting - GV6P



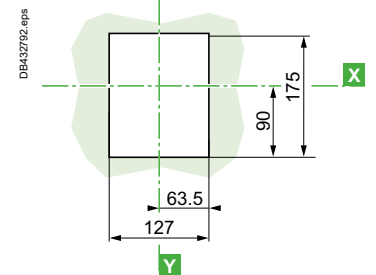
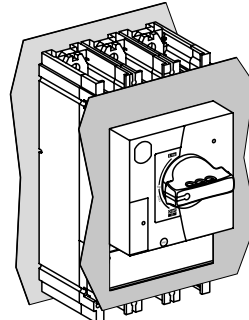
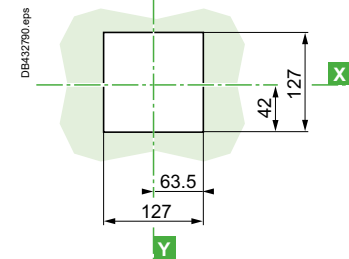
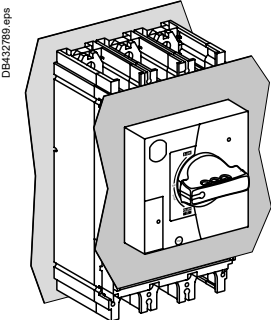
Mounting on 2 mounting rails for GV5P only



Door cut-out mounting GV5P



Door cut-out mounting GV6P



Motor
circuit
breakers

TeSys Power

Giga - Frame 5 - Frame 6 Motor circuit breakers

Dimensions and mounting



References:
p. B6/51 to B6/56

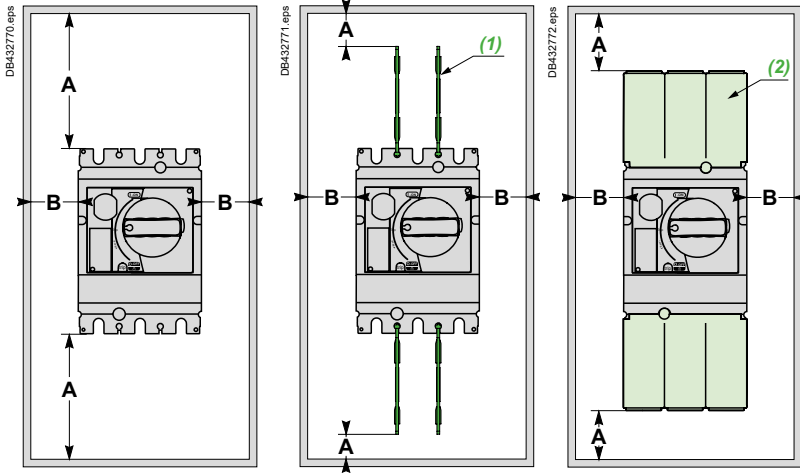
Characteristics:
p. B6/140

Curves:
p. B6/141 to B6/143

Schemes:
p. B6/152

GV5P

Minimum electrical clearance



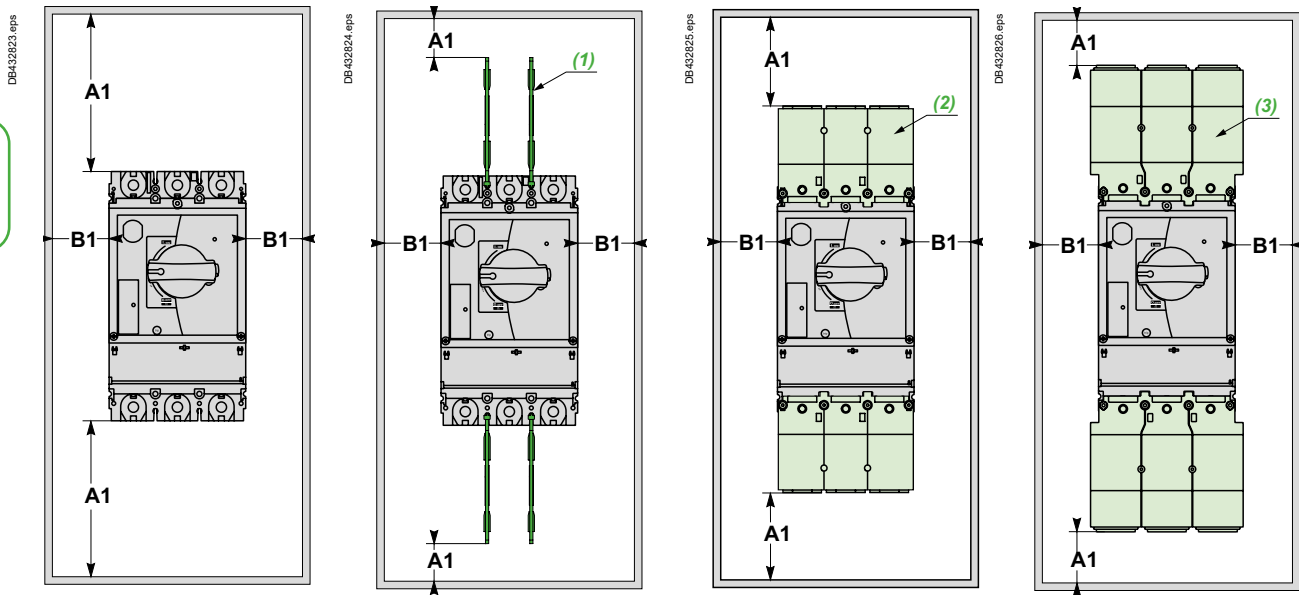
Clearance in mm

		Painted sheet metal		Bare metal plate	
		A	B	A	B
No accessories	$V \leq 500 V\sim$	30	0	40	20
	$V > 500 V\sim$	-	-	-	-
Interphase barriers ⁽¹⁾	$V \leq 500 V\sim$	0	0	10	20
	$V > 500 V\sim$	-	-	-	-
Terminal shield ⁽²⁾	$V \leq 500 V\sim$	0	0	10	10
	$V > 500 V\sim$	30	10	40	20

GV6P

Minimum electrical clearance

Motor circuit breakers



Clearance in mm

		Painted sheet metal		Bare sheet metal	
		A1	B1	A1	B1
No accessories	$V \leq 500 V\sim$	30	0	40	20
	$V > 500 V\sim$	-	-	-	-
Interphase barriers ⁽¹⁾	$V \leq 500 V\sim$	0	0	10	20
	$V > 500 V\sim$	-	-	-	-
Long terminal shield (LV432593) ⁽²⁾	$V \leq 500 V\sim$	30	0	40	10
	$V > 500 V\sim$	50	0	50	20
Long terminal shield (LV432595) ⁽³⁾	$V \leq 500 V\sim$	0	0	10	10
	$V > 500 V\sim$	30	0	30	20

TeSys Power

Giga - Frame 5 - Frame 6 Motor circuit breakers

Dimensions and mounting



References:
p. B6/51 to B6/56

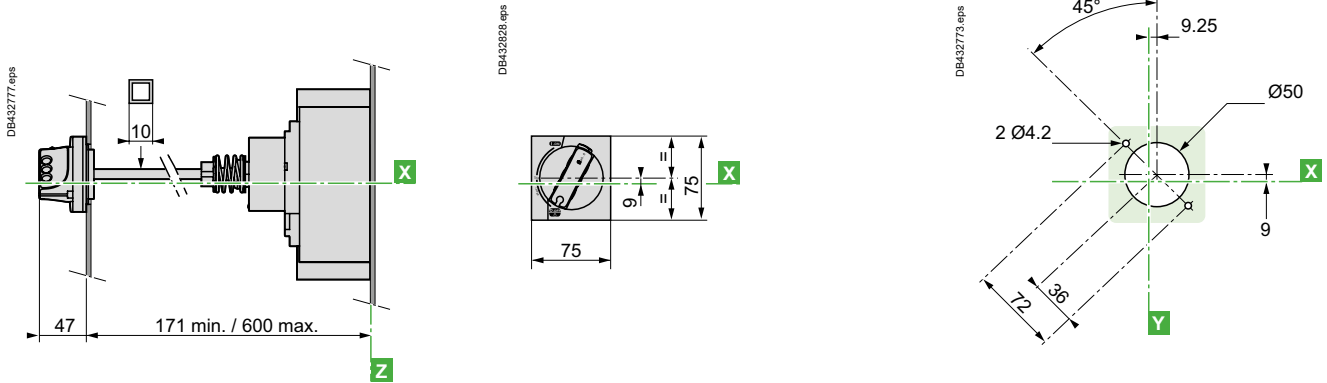
Characteristics:
p. B6/140

Curves:
p. B6/141 to B6/143

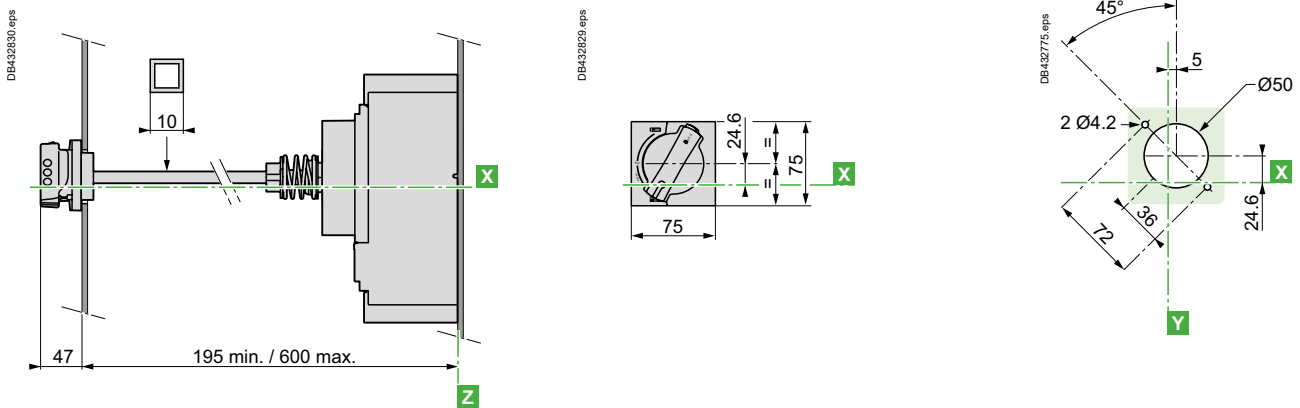
Schemes:
p. B6/152

GV5P/GV6P

GV5 with extended rotary handle GV7AP01/ GV7AP02

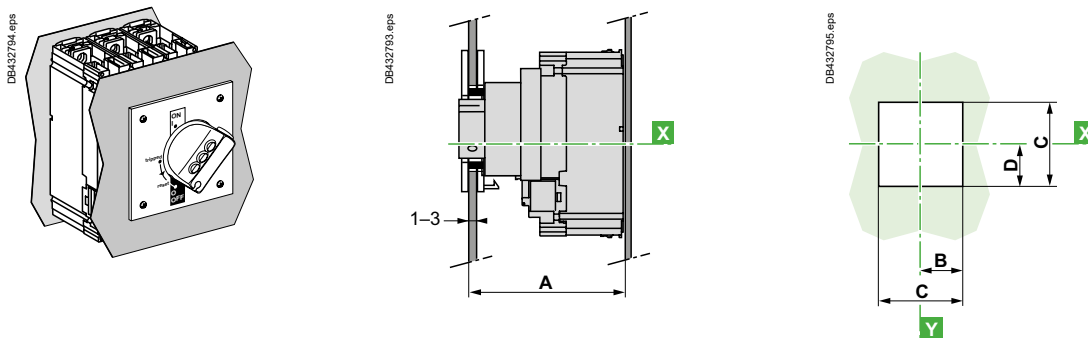


GV6 with extended rotary handle LV432598/ LV432600



GV5P/GV6P

MCC type direct rotary handle



	A	B	C	D
150/220 A	125 ±2	50	100	41
320/500 A	149 ±2	72.5	145	51

Motor
circuit
breakers

TeSys Power

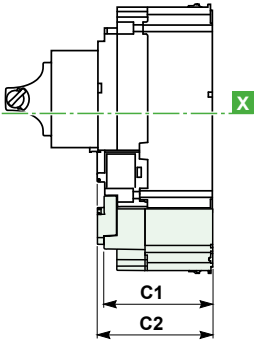
Giga - Frame 5 - Frame 6 Motor circuit breakers

Dimensions and mounting

GV5P/GV6P

With additional PowerTag

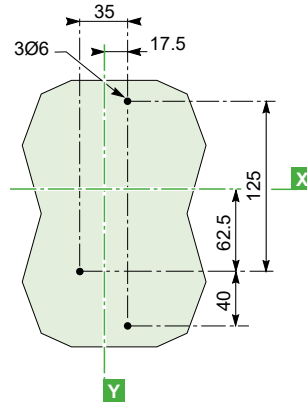
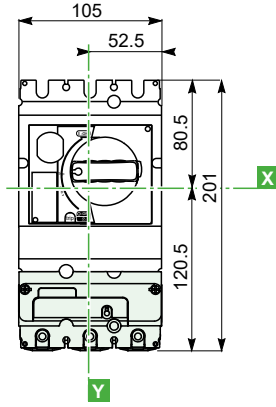
DB4436393.ai



Type	C1	C2
GV5P	81	86
GV6P	95.5	110

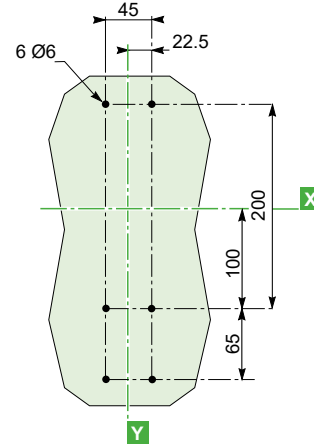
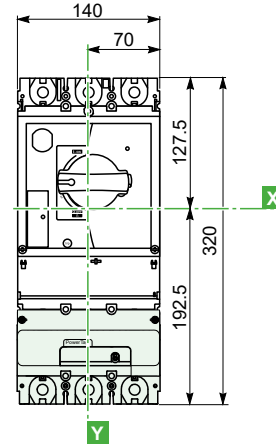
GV5P with LV434020 / Panel mounting

DB4436391.ai



GV6P with LV434022 / Panel mounting

DB4436392.ai



Motor
circuit
breakers

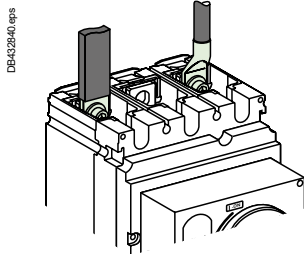
TeSys Power

Giga - Frame 5 - Frame 6 Motor circuit breakers

Dimensions and mounting

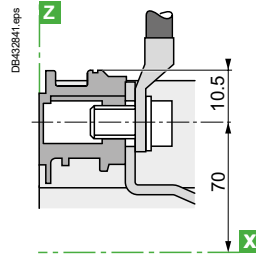
GV5P/GV6P

Front connection without accessories



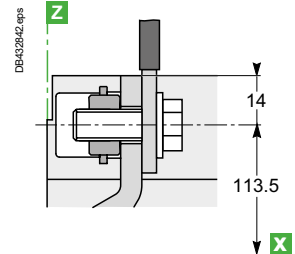
GV5P

Cables with lugs bars



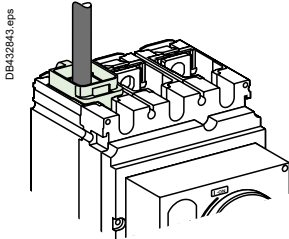
GV6P

Bars/cables with lugs

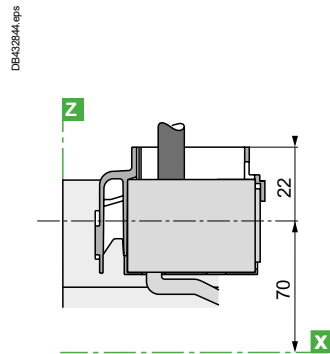


GV5P

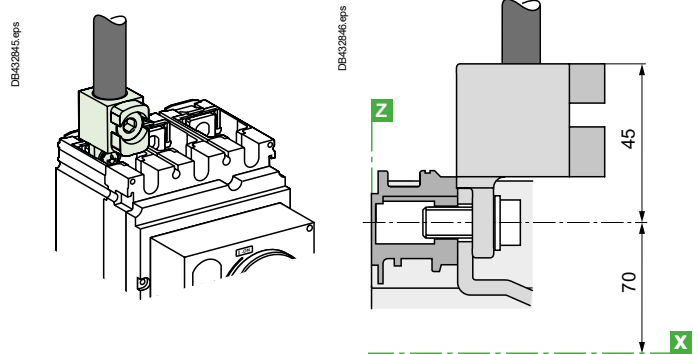
Bare-cables connectors



GV7AC021/LV429227/GV7AC022

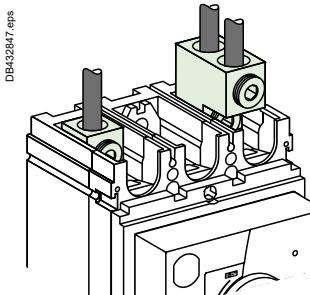


LV429244

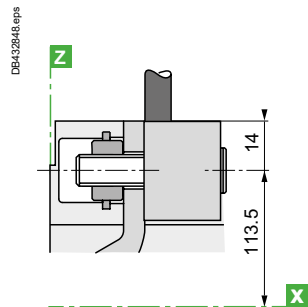


GV6P

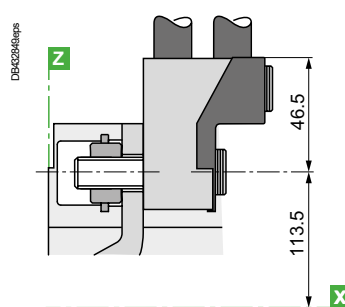
Bare-cables connectors



LV432479

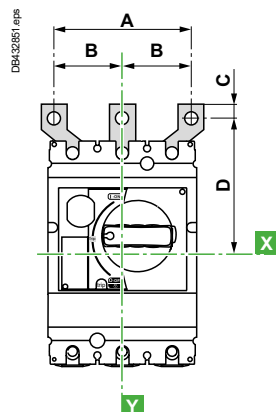
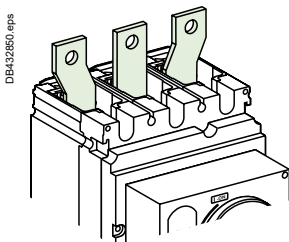


LV432481



GV5P/GV6P

Spreaders



Type	A	B	C	D
GV5P/ Spreaders GV7AC03	114	45	11	100
GV6P/ Spreaders LV432490	135	52.5	15	152.5
GV6P/ Spreaders LV432492	170	70	15	166

Motor
circuit
breakers

TeSys Power

Giga - Frame 5 - Frame 6 Motors circuit breakers

Schemes



References:
p. B6/51 to B6/56

Characteristics:
p. B6/140

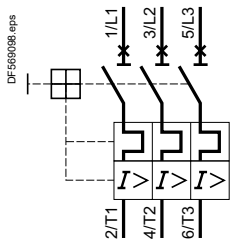
Curves:
p. B6/141 to B6/143

Schemes:
p. B6/152

Schemes

Motor circuit breakers

GV5P/ 6P



Add-on auxiliary contacts according to their location ⁽¹⁾

29450, 29452

Location 1
C/O contact



Location 2
Trip indication



Location 3
Electrical fault
indication ⁽²⁾



Location 4
C/O contact



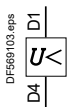
A self-adhesive label, supplied with the contact, can be affixed to the front face of the circuit-breaker to allow personalised marking according to the function of the contact or contacts.

(1) See pages B6/52 to B6/54.

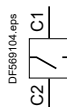
(2) Adapter LV429451 is mandatory for electrical trip indication in GV5.

Electric trips

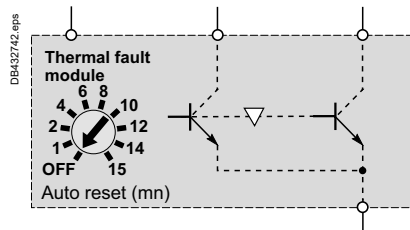
LV42940●



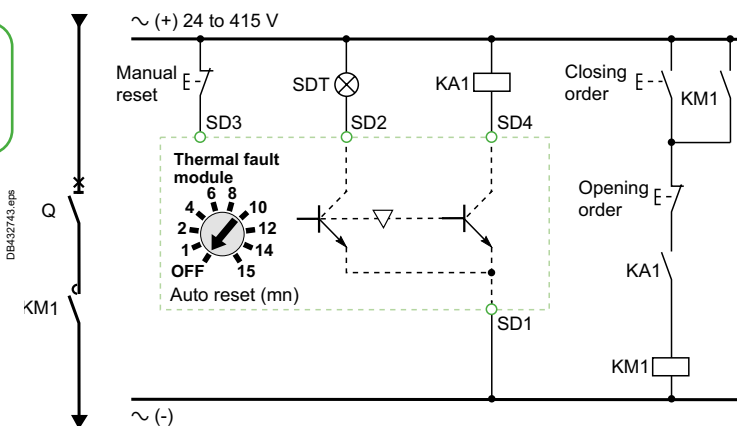
LV42938●



Thermal fault module LV429424



Recommended application schemes for LV429424



SD1, SD3: thermal fault module input power supply
SD2: over-load fault signal output. This output will stay-put until reset

SD4: contactor control output

SD2 and SD4: Static outputs: 24 to 415 V AC / V DC; 80 mA max

KM1: LC1D or LC1F contactor

KA1: CA2 or CAD type control relays

Terminals shown in green must be connected by customer.

Motor
circuit
breakers

PowerLogic™ Energy measurement solutions



Motor
circuit
breakers

PowerLogic™ Energy measurement solutions

PowerTag™ Energy Flex

Characteristics



References:
p. B6/59

Energy measurement – PowerLogic

PowerTag Energy Flex 63 A (F63)

Main characteristics

Rated voltage	3P	Un	Phase-to-phase	V	380... 415 V AC ± 20 %
	3P+N	Un	Phase-to-neutral	V	220... 240 V AC ± 20 %
			Phase-to-phase	V	380... 415 V AC ± 20 %
Frequency				Hz	50/60
Maximum current		I _{max}		A	63
Basic current		I _b		A	10
Saturation current				A	130
Maximum consumption			3P/3P+N	VA	≤ 2
Starting current		I _{st}		mA	40

Additional characteristics

Operating temperature		°C	-25 to +60
Storage temperature		°C	-40 to +85
Overvoltage category			Cat. III
Measuring category			Cat. III
Pollution degree			3
Altitude		m	≤ 2000
Degree of protection		Device only	IP20
		IK	05

Radio-frequency communication

ISM band 2.4 GHz		GHz	2.4 to 2.4835
Channels	As per IEEE 802.15.4		11 to 26
Isotropic Radiated Power	Equivalent (EIRP)	dBm	0
Maximum transmission time		ms	< 5
Channel occupancy	Messages sent every	s	5 minimum

Characteristics of measuring functions

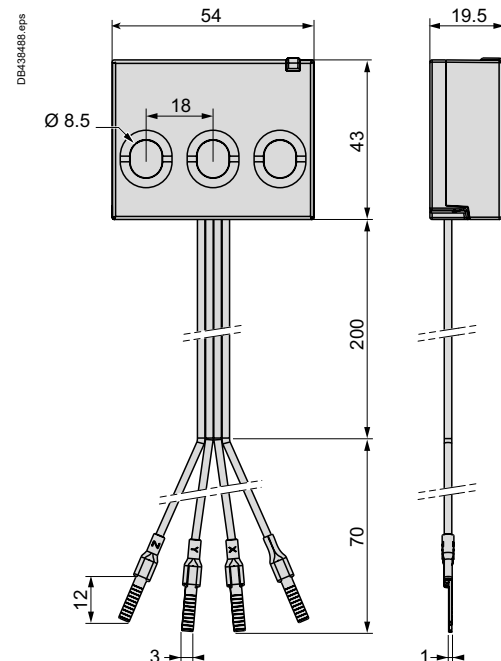
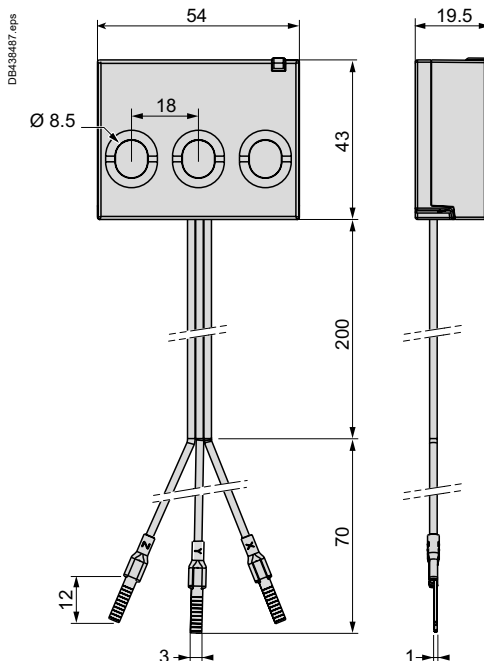
Function	Symbol	Performance category as per IEC 61557-12 (PMD-I/DD/K55/1)	Measuring range
		Class	
Active power	P	1	9 W to 63 kW
Active energy	E _a	1	Total and partial 0 to 99999999.9 kWh
Current	I	1	40 mA to 63 A
Voltage	U	0.5	Un ± 20 %
Power factor	PFA	1	0 to 1

Dimensions

A9MEM1573

3P

3P + N



Motor circuit breakers

PowerLogic™ Energy measurement solutions

PowerTag™ Energy Flex

Characteristics



References:
p. B6/60

Energy measurement – PowerLogic

PowerTag Energy Flex 160 A (F160)

Main characteristics (as per IEC 61557-12)

Rated voltage	Un	Phase-to-neutral	V	100...277 V AC ± 20 %
		Phase-to-phase		173...480 V AC ± 20 %
Frequency			Hz	50/60
Maximum current	I _{max}		A	160
Maximum operating current				1.2 x I _{max}
Saturation current				2 x I _{max}
Maximum consumption			VA	3
Starting current	I _{st}		mA	100
Basic current	I _b		A	25

Additional characteristic

Operating temperature		°C	-25 to +70
Storage temperature		°C	-40 to +85
Overvoltage category	As per IEC 61010-1		Cat. IV
Measuring category	As per IEC 61010-2-030		Cat. IV
Pollution degree			3
Altitude		m	Up to 2000 without derating ⁽¹⁾
Degree of protection device			IP20 IK05

Radio-frequency communication

ISM band 2.4 GHz		GHz	2.4 to 2.4835
Channels	As per IEEE 802.15.4		11 to 26
Isotropic Radiated Power	Equivalent (EIRP)	dBm	0
Maximum transmission time		ms	< 5
Channel occupancy	For 1 device	s	messages sent every 5

Characteristics of measuring functions

Function	Symbol	Performance category as per IEC 61557-12 (PMD-II/DD/K70/1)		Measuring range
		Class	Measuring range	
Total active power (Active power per phase)	P	1	2.5 to 160 A	24 W (8 W) to 192 kW
Total reactive power (Reactive power per phase)	Q _A	2		30 VAR (10 VAR) to 192 kVAR
Total apparent power (Apparent power per phase)	S _A	2		38 VA (13 VA) to 192 kVA
Active Energy: per phase, total, partial, delivered and received	E _a	1		0 to 281.10 ⁹ kWh
Reactive energy: per phase, total, partial, delivered and received	E _{rA}	2		0 to 281.10 ⁹ kVARh
Apparent energy: per phase, total, partial	E _{apA}	2		0 to 281.10 ⁹ kVAh
Frequency	f	1	50 / 60 Hz ± 2 %	45 to 65 Hz
Phase current	I	1	5 to 160 A	100 mA to 320 A
Neutral current	I _{NC}	2		
Voltages (Line to Line)	U	0.5	Un ± 20 %	138 to 576 V AC
Power factor (per phase, total)	PF _A	1	From 0.5 inductive to 0.8 capacitive	-1 to 1

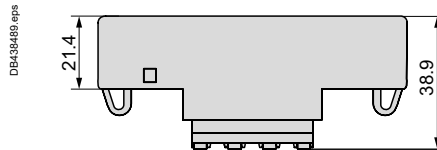
⁽¹⁾ Above 2000 m, please consult us.

Dimensions

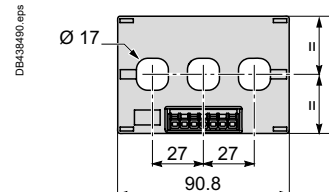
PowerTag Energy Flex 160 A



DB121659.eps



DB438489.eps



DB438490.eps

Motor
circuit
breakers

PowerLogic™ Energy measurement solutions

PowerTag™ Energy Monoconnect 250 A, 630 A

Characteristics



References:
p. B6/61

Energy measurement – PowerLogic

PowerTag Energy Monoconnect 250 A, 630 A

Main characteristics

Rated voltage	Un	Phase-to-neutral	V	230 V AC ± 20 %
		Phase-to-phase	V	400 V AC ± 20 %
Frequency			Hz	50/60
Maximum current	I _{max}		A	250/630
Maximum operating current				1.2 x I _{max}
Saturation current				2 x I _{max}
Maximum consumption			VA	3.7
Starting current	I _{st}		mA	160/400
Basic current	I _b		A	40/100

Additional characteristic

Operating temperature		°C	-25 to +70
Storage temperature		°C	-50 to +85
Overvoltage category	As per IEC 61010-1		Cat. IV
Measuring category	As per IEC 61010-2-030		Cat. III
Pollution degree			3
Altitude			Up to 2000 m without derating ⁽¹⁾
Degree of protection device			IP20
			IK07

Radio-frequency communication

ISM band 2.4 GHz		GHz	2.4 to 2.4835
Channels	As per IEEE 802.15.4		11 to 26
Isotropic Radiated Power	Equivalent (EIRP)	dBm	0
Maximum transmission time		ms	< 5
Channel occupancy	For 1 device	s	messages sent every 5

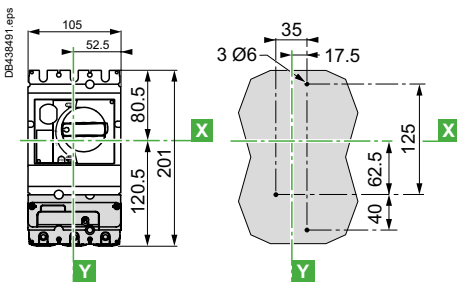
Characteristics of measuring functions

Function	Symbol	Performance category as per IEC 61557-12 (PMD-II/DD/K70/1)		Measuring range (250 A / 630 A)
		Class	Measuring range	
Total active power (Active power per phase)	P	1	4 to 250 A / 10 to 630 A	88 W (29 W) to 416 kW / 222 W (74 W) to 1048 kW
Total reactive power (Reactive power per phase)	Q _A	2		88 VAR to 416 kVAR / 221 VAR to 1048 kVAR
Total apparent power (Apparent power per phase)	S _A	2		88 VA to 416 kVA / 221 VA to 1048 kVA
Active Energy: per phase, total, partial, delivered and received	E _a	1		0 to 281.109 kWh
Reactive energy: per phase, total, partial, delivered and received	E _{rA}	2		0 to 281.109 kVARh
Frequency	f	1	45 to 55 Hz	45 to 65 Hz
Phase current	I	1	8 to 250 A / 20 to 630 A	160 mA to 500 A / 400 mA to 1260 A
Voltages (Line to Line)	U	0.5	Un ± 20 %	320 to 480 V AC
Power factor	PF _A	1	From 0.5 inductive to 0.8 capacitive	-1 to 1

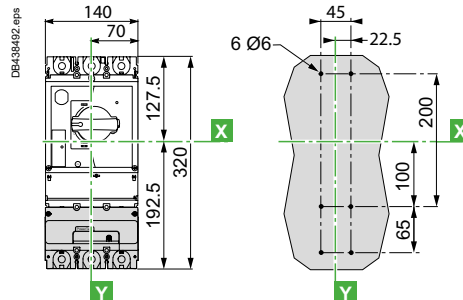
⁽¹⁾ Above 2000 m, please consult us.

Dimensions

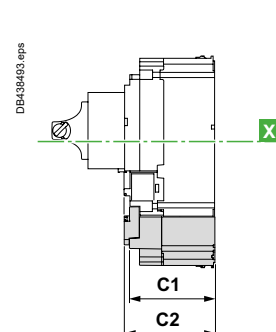
GV5P with LV434020 / Panel mounting



GV6P with LV434022 / Panel mounting



With additional PowerTag



Type	C1	C2
GV5P	81	86
GV6P	95.5	110

PowerLogic™ Energy measurement solutions

PowerTag™ Link

Characteristics



References:
p. B6/62

Energy measurement – PowerLogic

PowerTag Link

Main characteristics

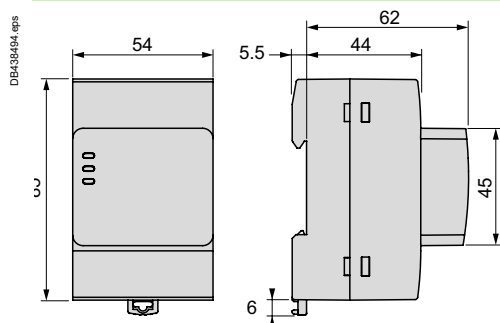
Supply voltage	Us	V	110/230 V AC ± 20 %, 2 A
Frequency		Hz	50/60
Power consumption		VA	5
Communication interface			Ethernet 10/100 BASE-T, Cable length ≤ 100 m Cat.6 STP
Wireless communication			Up to 20 or 100 PowerTag Energy sensors
Integrated connection type			DHCP client (Ethernet port)
Local indication	Product state		Green, orange and red LED
	Ethernet state (LAN ST)		Green, orange and red LED
Overvoltage category			III
Radio-frequency communication	ISM band 2.4 GHz	GHz	2.4 to 2.4835
Degree of protection (IEC 60529)	Device only		IP20
	Device in modular enclosure		IP40
Fire resistance			Insulation class II
Environment			650 °C, 30 s
			In compliance with the RoHS directive
			REACH Regulations

Additional characteristics

Operating temperature		°C	-25 to +60
Storage temperature		°C	-40 to +85
Pollution degree			2
Tropicalization (IEC 60068-2-30)			Treatment 2 (relative humidity of 93 % at 40°C)
Operating altitude		m	0 to 2000
Electromagnetic compatibility	Reference standards		
	Immunity		EN 55035
	Emissions		EN 55032
	Electromagnetic compatibility and Radio spectrum Matters (ERM)		EN 300328 EN 301489-1 EN 301489-17

Dimensions

PowerTag Link



Motor
circuit
breakers

Motor
circuit
breakers

TeSys Modular circuit breakers

0.5 to 20 A

(for equipment and control circuits)





References:
p. B6/65 to B6/66

Dimensions:
p. B6/163

Schemes:
p. B6/163

Environment		GB2CB	GB2CD	GB2DB	GB2CS
Circuit breaker type					
Conforming to standards		IEC 60947-1, 947-2, EN 60947-1, 60947-2			
Product certifications		cCSAus ⁽¹⁾	cCSAus ⁽¹⁾	–	–
Degree of protection	Conforming to IEC 60529	IP 20			
Shock resistance	Conforming to IEC 60068-2-27	22 gn for 20 ms			
Vibration resistance	Conforming to IEC 60068-2-6	5 gn (5...110 Hz)			
Ambient air temperature around the device	Storage	°C -40...+80			
	Operation	°C -20...+60			
Flame resistance	Conforming to IEC 60695-2-11	°C 960			
Maximum operating altitude		m 3000			
Operating position	In relation to normal vertical mounting plane				
Cabling	Solid cable	mm²	Minimum c.s.a. 1 x 0.75	Maximum c.s.a. 1 x 6 or 2 x 4	
	Flexible cable with cable end	mm²	1 x 0.75	1 x 4 or 2 x 2.5	
Tightening torque		N.m	1.2		

Technical characteristics			GB2CB		GB2CD		GB2DB		GB2CS		
Utilisation category	Conforming to IEC 60947-2		A		A		A		A		
Rated operational voltage (Ue)	Conforming to IEC 60947-2	V	250 ⁽²⁾		250		415		250 ⁽²⁾		
	Conforming to CSA C22-2 Nr 14 and UL 1077	V	277		277		–		–		
Rated operational frequency	Conforming to IEC 60947-2	Hz	50/60		50/60		50/60		50/60		
Rated impulse withstand voltage (U imp)	Conforming to IEC 60947-2	kV	4		4		4		4		
Total power dissipated per pole		W	2		2		2		1.9		
Mechanical and electrical durability	C.O.: Closing - Opening	C.O.	8000		8000		8000		8000		
Operational current correction coefficient (a or --)	According to the permissible ambient temperature	°C	-20	-10	0	+10	+20	+30	+40	+50	+60
	Correction coefficient		1.2	1.15	1.1	1.05	1	0.95	0.90	0.85	0.80
Tripping threshold	Of the magnetic trips		12...16 In		12...16 In		12...16 In		5...7 In		

(1) Except for GB2CB16, GB2CB22, GB2CD16, GB2CD22.

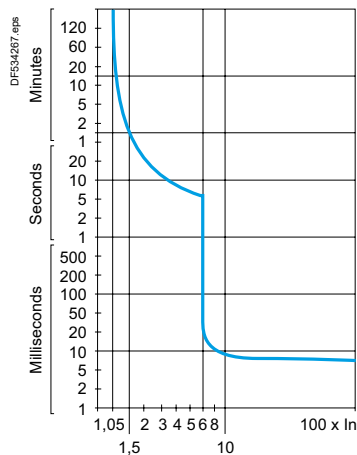
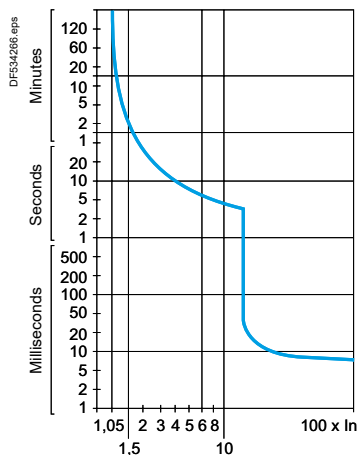
(2) Ue = 415 V when a GB2 circuit breaker is fitted on every live conductor.

Tripping curves

Average operating time at 20 °C without prior current flow (cold state)

GB2CB, GB2CD, GB2 DB

GB2CS



TeSys Power

Modular circuit breakers for auxiliary circuits - Thermal-magnetic

Characteristics



References:
p. B6/65 to B6/66

Dimensions:
p. B6/163

Schemes:
p. B6/163

Circuit breaker type				GB2										
				CB05	CB06	CB07	CB08	CB09	CB10	CB12	CB14	CB16	CB20	CB21
Rating			A	0.5	1	2	3	4	5	6	8	10	12	16
Breaking capacity conforming to IEC 60947-2 ~ 50/60 Hz	230/240 V	Icu	kA	10	10	10	3	3	2	1.5	1.5	1	1	1
		Ics % ⁽¹⁾		25	25	25	50	50	75	75	75	75	75	75
Circuit breaker type				GB2										
				CD05	CD06	CD07	CD08	CD09	CD10	CD12	CD14	CD16	CD20	CD21
Rating			A	0.5	1	2	3	4	5	6	8	10	12	16
Breaking capacity conforming to IEC 60947-2 ~ 50/60 Hz	230/240 V	Icu	kA	10	10	10	3	3	2	1.5	1.5	1	1	1
		Ics % ⁽¹⁾		25	25	25	50	50	75	75	75	75	75	75
Circuit breaker type				GB2										
				DB05	DB06	DB07	DB08	DB09	DB10	DB12	DB14	DB16	DB20	DB21
Rating			A	0.5	1	2	3	4	5	6	8	10	12	16
Breaking capacity conforming to IEC 60947-2 ~ 50/60 Hz	230/240 V	Icu	kA	10	10	10	3	3	2	1.5	1.5	1	1	1
		Ics % ⁽¹⁾		25	25	25	50	50	75	75	75	75	75	75
	400/415 V	Icu	kA	10	10	10	3	3	2	1.5	1.5	1	1	1
		Ics % ⁽¹⁾		25	25	25	50	50	75	75	75	75	75	75

(1) As % of Icu.



References:
p. B6/65 to B6/66

Dimensions:
p. B6/163

Schemes:
p. B6/163

Circuit breaker type				GB2																	
				●●05	●●06	●●07	●●08	●●09	●●10	●●12	●●14	●●16	●●20	●●21							
Breaking capacity (Icu) conforming to IEC 60947-2 ---	24 V	kA		1.5	1.5	1.5	1.5	1.5	1.5	1.5	1.5	1.5	1.5	1.5							
	48 V	kA		1	1	1	1	1	1	1	1	1	1	1							
Operational current conforming to IEC 60947-5-1 ---	DC-12	24 V	A	0.5	1	2	3	4	5	6	8	10	12	16							
		48 V	A	0.5	1	2	3	4	5	6	8	10	12	16							
	DC-13	24 V	A	0.5	1	2	3	4	5	6	8	10	12	16							
		48 V	A	0.5	1	2	3	4	5	6	8	10	12	16							
Circuit breaker type				GB2																	
				CS05						CS06											
Rating		A		0.5						1											
Breaking capacity conforming to IEC 60947-2 ~ 50/60 Hz	230/240 V	Icu	kA	10						10											
		Ics % ⁽¹⁾		25						25											
Breaking capacity (Icu) conforming to IEC 60947-2 ---	24 V	kA		1.5						1.5											
	48 V	kA		1						1											
Operational current conforming to IEC 60947-5-1 ---	DC-12	24 V	A	0.5						1											
		48 V	A	0.5						1											
	DC-13	24 V	A	0.5						1											
		48 V	A	0.5						1											
Maximum permissible line length for star-delta starting (length of cable containing 2 or more conductors)	With contactors LC●D09 ...D18	Operational voltage	V	48			110			230			48			110			230		
		C.s.a.	0.60 mm ²	m	⁽²⁾	31			365			6			85			230			
	0.75 mm ²		m	⁽²⁾	39			460			8			110			290				
	1 mm ²		m	⁽²⁾	52			610			10			145			380				
	1.5 mm ²		m	⁽²⁾	78			910			15			220			570				
	2.5 mm ²		m	⁽²⁾	130			1520			26			360			950				
	4 mm ²		m	⁽²⁾	200			2400			41			580			1500				
	With contactors LC●D25 ...D32	Operational voltage	V	48			110			230			48			110			230		
		C.s.a.	0.60 mm ²	m	⁽²⁾	⁽²⁾			230			⁽²⁾			56			230			
	0.75 mm ²		m	⁽²⁾	⁽²⁾			290			⁽²⁾			70			290				
	1 mm ²		m	⁽²⁾	⁽²⁾			390			⁽²⁾			95			380				
	1.5 mm ²		m	⁽²⁾	⁽²⁾			580			⁽²⁾			140			570				
	2.5 mm ²		m	⁽²⁾	⁽²⁾			970			⁽²⁾			230			950				
	4 mm ²		m	⁽²⁾	⁽²⁾			1500			⁽²⁾			375			1500				
	With contactors LC●D40 ...D80	Operational voltage	V	48			110			230			48			110			230		
		C.s.a.	0.60 mm ²	m	⁽²⁾	⁽²⁾			46			⁽²⁾			13			100			
	0.75 mm ²		m	⁽²⁾	⁽²⁾			60			⁽²⁾			17			130				
	1 mm ²		m	⁽²⁾	⁽²⁾			80			⁽²⁾			22			170				
	1.5 mm ²		m	⁽²⁾	⁽²⁾			120			⁽²⁾			34			250				
	2.5 mm ²		m	⁽²⁾	⁽²⁾			190			⁽²⁾			56			420				
	4 mm ²		m	⁽²⁾	⁽²⁾			310			⁽²⁾			90			680				

⁽¹⁾ As % of Icu.

⁽²⁾ Use relays.

TeSys Power

Modular circuit breakers for auxiliary circuits - Thermal-magnetic

Dimensions and schemes

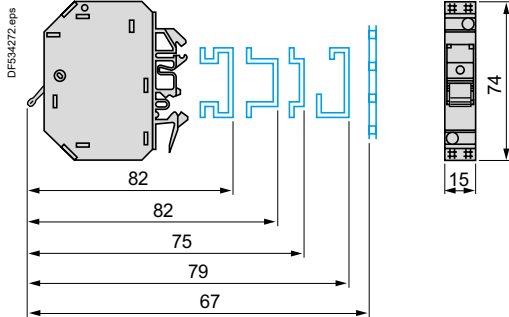


References:
p. B6/65 to B6/66

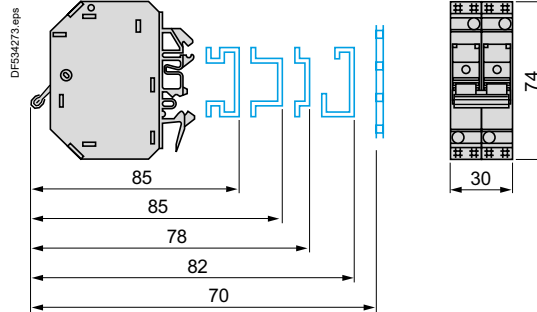
Characteristics:
p. B6/160 to B6/162

Dimensions

GB2CB●●, GB2CD●●, GB2CS●●



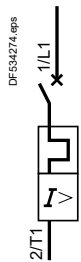
GB2DB●●



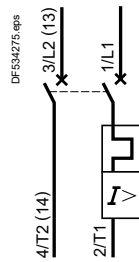
Marking: up to twelve AB1 R clip-in markers.

Schemes

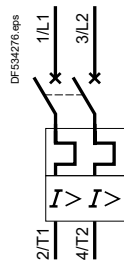
GB2CB●●



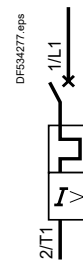
GB2CD●●








GB2DB●●



GB2CS●●



Motor
circuit
breakers

TeSys SK, K Relays		
Product		Pages
Mini relays - 2 contacts, simultaneous action TeSys SK, SKE		B7/2
Relays - 4 contacts, simultaneous action TeSys K		B7/4
Auxiliary contact blocks, accessories TeSys K		B7/6
TeSys Deca Relays		
Relays 5 contacts, simultaneous action		B7/8
TeSys Deca Accessories		B7/10
Technical Data for Designers		B7/13

TeSys Control

SK, SKE Mini control relays

Product references



Characteristics:
p. B7/14 to B7/15

Dimensions:
p. B7/16

Schemes:
p. B7/17

PB121522.fr



CA2SK11●●

Mini control relays

- Width of mini control relays 27 mm.
- Mounting on 35 mm $\bar{}$ rail.
- Connection by screw clamp terminals.

Control circuit supply	Auxiliary contacts		Basic reference, to be completed by adding the voltage code ⁽¹⁾
a.c. supply		–	CA2SK20●●
	1	1	CA2SK11●●
d.c. supply		–	CA3SK20●●
	1	1	CA3SK11●●

PB121523.eps



CA2SKE20●●

Mini control relay with alternating contacts

This mini control relay with alternating contacts (see function diagram page B7/17) makes it possible to automatically split the operating time between 2 circuits of a redundant system.

By regularly energising the “safety circuits”, this device makes it possible to ensure that they are operating correctly.

- Width of mini control relay 45 mm.
- Fixing by $\varnothing 4$ screws.
- Connection by screw clamp terminals..
- Cannot be fitted with front-mounted auxiliary contact block.
- Cannot be fitted with coil suppressor module.

Control circuit supply	Auxiliary contacts		Basic reference, to be completed by adding the voltage code ⁽¹⁾
a.c. supply		–	CA2SKE20●●

⁽¹⁾ Standard control circuit voltages (for other voltages, please consult your Regional Sales Office):

Mini control relays CA2SK and CA2SKE

Volts ~ 50/60 Hz	24	48	110	120	220	230	240	380	400
Code	B7	E7	F7	G7	M7	P7	U7	Q7	V7

Mini control relays CA3SK

Volts $\bar{}$	12	24	36	48	72
Code	JD	BD	CD	ED	SD

Control relays

TeSys Control

SK, SKE Mini control relays - Contact block - Suppressor

Product references



Characteristics:
p. B7/15

Dimensions:
p. B7/16

Schemes:
p. B7/17



PB11685_Reps

LA1SK●●

Instantaneous auxiliary contact blocks

Clip-on front mounting

For use on control relays	Maximum number of blocks per contactor	Composition		Reference
CA2SK20	1	2	–	LA1SK20
		–	2	LA1SK02
		1	1	LA1SK11



PB11640_Reps

LA4SK●1●

Suppressor modules

Connection without need for tools by clipping onto right-hand side of contactor

For use on control relays	Type	For voltages	Sold in lots of	Unit reference
CA2SK and CA3SK	Varistor (1)	~ and ≍ 24 V...48 V	10	LA4SKE1E
		~ and ≍ 110 V...250 V	10	LA4SKE1U
	Diode (2)	≍ 24 V...250 V	10	LA4SKC1U

- (1) Protection provided by limiting the transient voltage to $2 U_c$ max.
Maximum reduction of transient voltage peaks.
Slight increase in drop-out time (1.1 to 1.5 times the normal time).
- (2) No overvoltage or oscillating frequency.
Slight increase in drop-out time (1.1 to 1.5 times the normal time).



Characteristics:
p. B7/18 to B7/19

Dimensions:
p. B7/20

Schemes:
p. B7/21

Control relays for a.c. control circuit

- Width of control relays: 45 mm.
- Mounting on 35 mm rail or Ø4 screw fixing.
- Screws in the open "ready-to-tighten" position.

PE123768.eps



CA2KN22●●

Control circuit Consumption	Auxiliary contacts	Basic reference, to be completed by adding the voltage code ⁽¹⁾

Screw clamp connections

4.5 VA	4 –	CA2KN40●●
	3 1	CA2KN31●●
	2 2	CA2KN22●●

Spring terminal connections (insert "3" before the voltage code)

4.5 VA	4 –	CA2KN403●●
	3 1	CA2KN313●●
	2 2	CA2KN223●●

Faston connectors, 1 x 6.35 or 2 x 2.8 (insert "7" before the voltage code)

4.5 VA	4 –	CA2KN407●●
	3 1	CA2KN317●●
	2 2	CA2KN227●●

Solder pins for printed circuit boards (insert "5" before the voltage code)

4.5 VA	4 –	CA2KN405●●
	3 1	CA2KN315●●
	2 2	CA2KN225●●

PE123769.tif



CA2KN●●5●●

Control relays for d.c. control circuit

- Mounting on 35 mm rail or Ø4 screw fixing.
- Screws in the open "ready-to-tighten" position.

Screw clamp connections

3 W	4 –	CA3KN40●●
	3 1	CA3KN31●●
	2 2	CA3KN22●●

Spring terminal connections

3 W	4 –	CA3KN403●●
	3 1	CA3KN313●●
	2 2	CA3KN223●●

Solder pins for printed circuit boards

3 W	4 –	CA3KN405●●
	3 1	CA3KN315●●
	2 2	CA3KN225●●

PE123770.tif



CA3KN●●3●●

Control relays

⁽¹⁾ Please check the availability of your variant in the index page B7/12. The SEARCH function of your viewer can be used. Standard control circuit voltages (for other voltages, please consult your Regional Sales Office):

Control relays CA2K (0.8...1.15 Uc) (0.85...1.1 Uc)

Volts ~	12	20	24 ⁽²⁾	36	42	48	110	115	127	220/230	230/240	380/400	400/415	440	500	660/690		
Code	J7	Z7	B7	C7	D7	E7	F7	FE7	FC7	M7	P7	U7	Q7	V7	N7	R7	S7	Y7

Up to and including 240 V, coil with integral suppression device available: add 2 to the code required. Example: J72

Control relays CA3K (0.8...1.15 Uc)

Volts ∴	12	20	24 ⁽²⁾	36	48	60	72	100	110	125	200	220	230	240	250
Code	JD	ZD	BD	CD	ED	ND	SD	KD	FD	GD	LD	MD	MPD	MUD	UD

Coil with integral suppression device available: add 3 to the code required. Example: JD3.

⁽²⁾ When connecting an electronic sensor or timer in series with the coil of the control relay, select a 20 V coil (~ code Z7, ∴ code ZD) so as to compensate for the incurred voltage drop.



Characteristics:
p. B7/18 to B7/19

Dimensions:
p. B7/20

Schemes:
p. B7/21

PB 123771.eps



CA4KN40●●●

Low consumption control relays d.c. control circuit

- Width of control relays: 45 mm.
- Mounting on 35 mm rail or Ø4 screw fixing.
- Screws in the open "ready-to-tighten" position.

Control circuit Consumption	Auxiliary contacts	Basic reference, to be completed by adding the voltage code ⁽¹⁾

Screw clamp connections

1.8 W	4	–	CA4KN40●●
	3	1	CA4KN31●●
	2	2	CA4KN22●●

Spring terminal connections (insert "3" before the voltage code)

1.8 W	4	–	CA4KN403●●
	3	1	CA4KN313●●
	2	2	CA4KN223●●

Faston connectors, 1 x 6.35 or 2 x 2.8 (insert "7" before the voltage code)

1.8 W	4	–	CA4KN407●●
	3	1	CA4KN317●●
	2	2	CA4KN227●●

Solder pins for printed circuit boards (insert "5" before the voltage code)

1.8 W	4	–	CA4KN405●●
	3	1	CA4KN315●●
	2	2	CA4KN225●●

(1) Please check the availability of your variant in the index page B7/12. The SEARCH function of your viewer can be used.

Standard control circuit voltages (for other voltages, please consult your Regional Sales Office):

Control relays CA4K (Wide range coil: 0.7...1.3 Uc)

Volts ~	12	20	24	48	72	110	120
Code	JW3	ZW3	BW3	EW3	SW3	FW3	GW3

Coil with integral suppression device fitted as standard, by bi-directional peak limiting diode.

TeSys Control

K Contact blocks - Time delays

Product references





Characteristics:
p. B7/19

Dimensions:
p. B7/20

Schemes:
p. B7/21

Instantaneous auxiliary contact blocks

Clip-on front mounting, 1 per control relay

Connection	Composition		Reference
			
Screw clamp terminals	2	–	LA1KN20
	–	2	LA1KN02
	1	1	LA1KN11
	4	–	LA1KN40 ⁽¹⁾
	3	1	LA1KN31 ⁽¹⁾
	2	2	LA1KN22 ⁽¹⁾
	1	3	LA1KN13 ⁽¹⁾
	–	4	LA1KN04 ⁽¹⁾
Spring terminals	2	–	LA1KN203
	–	2	LA1KN023
	1	1	LA1KN113
	4	–	LA1KN403 ⁽¹⁾
	3	1	LA1KN313 ⁽¹⁾
	2	2	LA1KN223 ⁽¹⁾
	1	3	LA1KN133 ⁽¹⁾
	–	4	LA1KN043 ⁽¹⁾
Faston connectors 1 x 6.35 or 2 x 2.8	2	–	LA1KN207
	4	–	LA1KN407 ⁽¹⁾
	3	1	LA1KN317 ⁽¹⁾



LA1KN22



LA1KN003

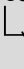
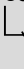


LA1KN007

Electronic time delay contact blocks

- Relay output with common point changeover contact, \sim or --- 240 V, 2 A maximum
- Control voltage 0.85...1.1 U_c
- Maximum switching capacity 250 VA or 150 W
- Operating temperature -10...+60 °C
- Reset time: 1.5 s during the time delay period 0.5 s after the time delay period

Clip-on front mounting, 1 per control relay

Voltage	Type	Timing range	Composition	Reference
\sim or --- 24...48	On-delay	1...30		LA2KT2E
\sim 110...240	On-delay	1...30		LA2KT2U

Other versions

Electronic timers type RE4.
Please consult your Regional Sales Office.

⁽¹⁾ Block of 4 contacts for use on CA2K and CA3K.

Control
relays

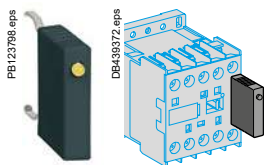


LA2KT2E



Dimensions:
p. B7/20

Schemes:
p. B7/21



LA4KC1B

Suppressor modules incorporating LED indicator

Mounting and connection	Type	For voltages	Sold in lots of	Unit reference
Clips onto front of relay with locating device. No tools required.	Varistor ⁽¹⁾	~ and --- 12...24 V	5	LA4KE1B
		~ and --- 32...48 V	5	LA4KE1E
		~ and --- 50...129 V	5	LA4KE1FC
		~ and --- 130...250 V	5	LA4KE1UG
	Diode + Zener diode ⁽²⁾	--- 12...24 V	5	LA4KC1B
		--- 32...48 V	5	LA4KC1E
	RC ⁽³⁾	~ 110...250 V	5	LA4KA1U

Mounting accessories

Description	Application		Sold in lots of	Unit reference
Mounting plates	On 2 U _r rails	110/120 mm fixing centres	10	DX1AP25

Marking accessories

Description	Application		Sold in lots of	Unit reference
Marker holder	Clip-on fixing on front face	–	100	LA9D90
Clip-in markers	4 maximum per relay	Strips of 10 identical numbers 0 to 9	25	AB1R● ⁽⁴⁾
		Strips of 10 identical capital letters A to Z	25	AB1G● ⁽⁴⁾

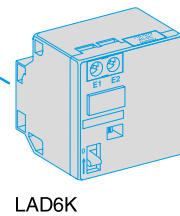
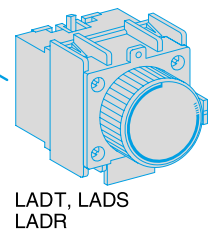
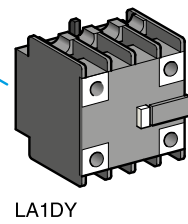
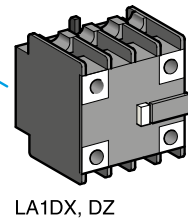
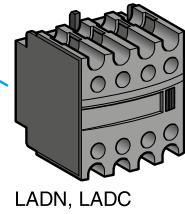
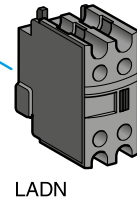
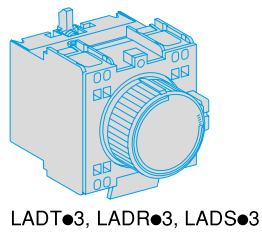
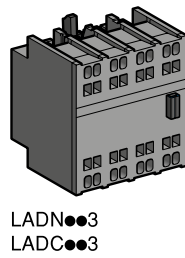
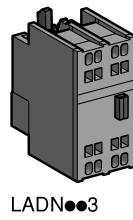
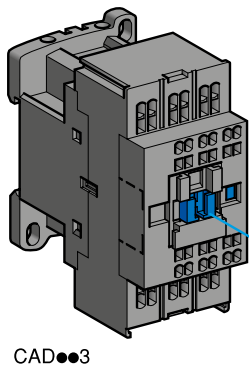
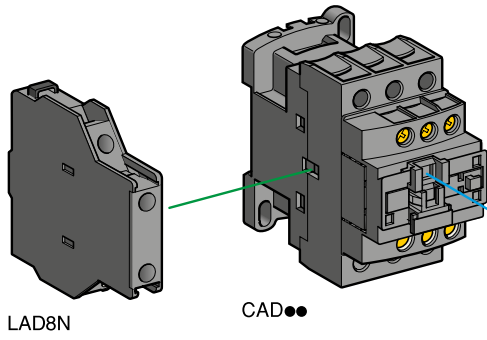


LA9D90



AB1R9

- (1)** Protection provided by limiting the transient voltage to 2 U_c max. Maximum reduction of transient voltage peaks. Slight increase in drop-out time (1.1 to 1.5 times the normal time).
- (2)** No overvoltage or oscillating frequency. Polarised component. Slight increase in drop-out time (1.1 to 1.5 times the normal time).
- (3)** Protection by limiting the transient voltage to 3 U_c max. and limitation of the oscillating frequency. Slight increase in drop-out time (1.2 to 2 times the normal time).
- (4)** Complete the reference by replacing the dot with the required character.



Control relays

See page opposite for mounting possibilities according to control relay type and rating

TeSys Control

Deca Control relays

Product references



Characteristics:
p. B7/22 to B7/24

Curves:
p. B7/25

Dimensions:
p. B7/26

Schemes:
p. B7/27

PB 12/687 eps



CAD50●●

PB 12/688 eps



CAD503●●

PB 12/688 eps



LADN22

PB 12/800 eps



LA1DY20

Control relays for connection by screw clamp terminals

Type	Number of contacts	Composition		Basic reference, to be completed by adding the control voltage code ⁽¹⁾
Instantaneous	5	5	–	CAD50●● ⁽³⁾
		3	2	CAD32●● ⁽³⁾

Control relays for connection by spring terminals

Instantaneous	5	5	–	CAD503●●
		3	2	CAD323●●

Instantaneous auxiliary contact blocks for connection by screw clamp terminals

For use in normal operating environments

Number of contacts	Maximum number per relay		Composition		Reference
	Clip-on mounting front	side	1	2	
2	1	–	1	1	LADN11
	–	1 on LH side	1	1	LAD8N11 ⁽⁶⁾
	1	–	2	–	LADN20
	–	1 on LH side	2	–	LAD8N20 ⁽⁶⁾
	1	–	–	2	LADN02
	–	1 on LH side	–	2	LAD8N02 ⁽⁶⁾
4 ⁽⁴⁾	1	–	2	2	LADN22 LADN22S ⁽⁷⁾
			1	3	LADN13
			4	–	LADN40
			–	4	LADN04
			3	1	LADN31
4 ⁽⁴⁾	1	–	2	2	LADC22

Including 1 N/O and 1 N/C make before break.

With dust and damp protected contacts, for use in particularly harsh industrial environments

Number of contacts	Maximum number per relay	Composition		Reference
		Front mounting protected ⁽⁵⁾	not protected	
2	1	2	–	LA1DX20
		–	2	LA1DX02
		2	–	LA1DY20 ⁽⁶⁾
4 ⁽⁴⁾	1	2	–	LA1DZ40
		2	–	LA1DZ31

Instantaneous auxiliary contact blocks for connection by spring terminals

This type of connection is not possible for contact blocks LAD 8 and blocks with dust and damp protected contacts.

For all other instantaneous auxiliary contact blocks, add the digit 3 to the end of the references selected above.

Example: LADN11 becomes LADN113.

⁽¹⁾ Please check the availability of your variant in the index page B7/12. The SEARCH function of your viewer can be used. Standard control circuit voltages (for other voltages, please consult your Regional Sales Office).

a.c. supply

Volts ~	24	42	48	110	115	220	230	240	380	400	415	440
50/60 Hz	B7	D7	E7	F7	FE7	M7	P7	U7	Q7	V7	N7	R7

d.c. supply (coils with integral suppression device fitted as standard)

Volts –	12	24	36	48	60	72	110	125	220	250	440
U from 0.7 to 1.25 U _c	JD	BD	CD	ED	ND	SD	FD	GD	MD	UD	RD

Low consumption (coils with integral suppression device fitted as standard)

Volts –	5	12	20	24	48	110	220	250
Code	AL	JL	ZL	BL	EL	FL	ML	UL

⁽²⁾ LC: low consumption.

⁽³⁾ To order control relays with connection by lugs, add the digit 6 to the end of the selected reference.

Example: CAD50●● becomes CAD506●●.

⁽⁴⁾ Blocks with 4 auxiliary contacts cannot be used on low consumption control relays.

⁽⁵⁾ Product fitted with 4 earth screen continuity terminals.

⁽⁶⁾ These contact blocks are allowed with AC coil control relay only.

⁽⁷⁾ With red front face - for safety chain indication.

⁽⁸⁾ With 2 earth screen continuity poles.

Control relays



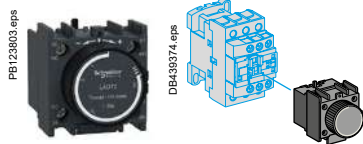
Characteristics:
p. B7/22 to B7/24

Illustrations:
p. B7/8

Curves:
p. B7/25

Dimensions:
p. B7/26

Schemes:
p. B7/27



LADT2

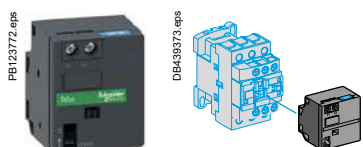
Time delay auxiliary contact blocks for connection by screw clamp terminals ⁽¹⁾

Number and type of contacts	Maximum number per relay	Time delay		Reference
		Front mounting	Range	
1 N/C and 1 N/O	1	On-delay	0.3...3 s ⁽²⁾	LADT0
			1...30 s	LADT2
			10...180 s	LADT4
			1...30 s ⁽³⁾	LADS2
		Off-delay	0.3...3 s ⁽²⁾	LADR0
			1...30 s	LADR2
			10...180 s	LADR4

(Sealing cover: see page B8/51)

Time delay auxiliary contact blocks for connection by spring terminals

Add the digit 3 to the references selected above. Example: LADT0 becomes LADT03.



LAD6K10M

Mechanical latch blocks ⁽⁴⁾

Unlatching control	Maximum number per relay	Basic reference to be completed ⁽⁵⁾
Manual or electric	1	LAD6K10●

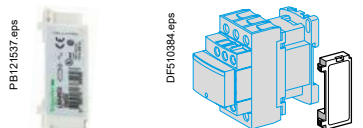
Suppressor modules

These modules clip onto the top of the control relay and the electrical connection is instantly made. Fitting of an input module is still possible.

RC circuits (Resistor-Capacitor)

- Effective protection for circuits highly sensitive to "high frequency" interference.
- Voltage limited to 3 Uc maximum and oscillating frequency limited to 400 Hz maximum.
- Slight time delay on drop-out (1.2 to 2 times the normal time).

For mounting on	Operational voltage	Reference
CAD ~	~ 24...48 V	LAD4RCE
	~ 50...127 V	LAD4RCG
	~ 110...250 V	LAD4RCU



LAD4RCU

Varistors (peak limiting)

- Protection provided by limiting the transient voltage value to 2Uc maximum.
- Maximum reduction of transient voltage peaks.
- Slight time delay on drop-out (1.1 to 1.5 times the normal time).

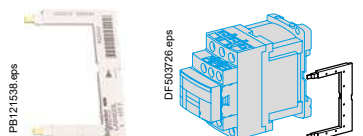
CAD ~	Operational voltage	Reference
CAD ~	~ 24...48 V	LAD4VE
	~ 50...127 V	LAD4VG
	~ 110...250 V	LAD4VU

Control relays

Freewheel diode

- No overvoltage or oscillating frequency.
- Increase in drop-out time (6 to 10 times the normal time).
- Polarised component.

CAD ---	--- 5...600 V	LAD4DDL ⁽⁶⁾
---------	---------------	------------------------



LAD4DDL

Bidirectional peak limiting diode ⁽⁷⁾

- Protection provided by limiting the transient overvoltage value to 2Uc maximum.
- Maximum reduction of transient voltage peaks.

CAD ~	~ 24 V	LAD4TB
	~ 72 V	LAD4TS
CAD ---	--- 24 V	LAD4TBDL
	--- 72 V	LAD4TSDL
	--- 125 V	LAD4TGD
	--- 250 V	LAD4TUDL

⁽¹⁾ These contact blocks cannot be used on low consumption control relays.

⁽²⁾ With extended scale from 0.1 to 6 s.

⁽³⁾ With switching time of 40 ms ±15 ms between opening of the N/C contact and closing of the N/O contact.

⁽⁴⁾ Power should not be simultaneously applied or maintained to the mechanical latching block of the CADN. The duration of the control signal to the mechanical latching block and the CADN should be ≥ 100 ms.

⁽⁵⁾ Standard control circuit voltages (for other voltages, please consult your Regional Sales Office):

Volts ~ and ---	24	32/36	42/48	60/72	100	110/127	220/240	256/277	380/415
Code	B	C	E	EN	K	F	M	U	Q

⁽⁶⁾ Not compatible with low consumption control relays.

⁽⁷⁾ CAD●● --- and low consumption control relays are fitted with a built-in bi-directional peak limiting diode suppressor as standard. On control relays produced after 15th July 2004, this diode is removable. It can therefore be replaced by the user (see references LAD4T●● above). It can also be replaced by a freewheel diode LAD4DDL.

Accessories (to be ordered separately)

Description	For mounting on	Sold in lots of	Unit reference
For marking			
Sheet of 64 blank legends, self-adhesive, 8 x 33 mm	CAD, LAD (4 contacts)	10	LAD21
Sheet of 112 blank legends, self-adhesive, 8 x 12 mm	LAD (2 contacts), LADT		LAD22
"SIS Label" labelling software for legends LAD21 and LAD22, supplied on CD-Rom	Multi-language version: English, French, German, Italian, Spanish	1	XBY2U
Legend holder, snap-in, 8 x 18 mm	LC1D09...38 LC1DT20...40 LADN (4 contacts) LADT, LADR	100	LAD90

For protection

Sealing cover	LADT, LADR	1	LA9D901
Safety cover preventing access to the moving contact carrier	CAD	1	LAD9ET1
Red cover (for safety chain indication)	CAD	1	LAD9ET1S

Spare parts: coils

Specifications

- Average consumption at 20 °C:
 - inrush ($\cos \varphi = 0.75$) 50/60 Hz: 70 VA at 50 Hz,
 - sealed ($\cos \varphi = 0.3$) 50/60 Hz: 8 VA at 60 Hz,
- Operating range ($\theta < 60$ °C): 0.85 to 1.1 Uc

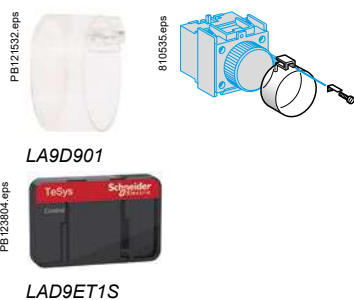
Control circuit voltage Uc	Average resistance at 20 °C ± 10 %	Inductance of closed circuit	Reference ⁽¹⁾
V	Ω	H	
50/60 Hz			
12	1.33	0.05	LXD1J7
24	5.37	0.22	LXD1B7
32	10.1	0.39	LXD1C7
42	17	0.67	LXD1D7
48	21.7	0.87	LXD1E7
110	124.1	4.6	LXD1F7
115	129.8	5	LXD1FE7
120	150.6	5.4	LXD1G7 ⁽²⁾
200	410.7	15	LXD1L7
208	430.4	16	LXD1LE7 ⁽²⁾
220	515.4	18	LXD1M7 ⁽³⁾
230	538.6	20	LXD1P7
240	562.3	22	LXD1U7
277	800.7	29	LXD1W7 ⁽²⁾
380	1551	55	LXD1Q7 ⁽⁴⁾
400	1633	60	LXD1V7
415	1694	65	LXD1N7
440	1993	73	LXD1R7
480	2398	87	LXD1T7 ⁽²⁾
500	2499	95	LXD1S7
575	3294	125	LXD1SC7
600	3810	136	LXD1X7
660	4656	165	LXD1YC7
690	5020	180	LXD1Y7

⁽¹⁾ The last 2 digits in the reference represent the voltage code.

⁽²⁾ Coil for use only on 60 Hz.

⁽³⁾ Suitable for use on 230 V / 50 Hz. In this case, apply a coefficient of 0.6 to the mechanical durability of the contactor (see pages B8/90 and B8/92).

⁽⁴⁾ Suitable for use on 400 V / 50 Hz. In this case, apply a coefficient of 0.6 to the mechanical durability of the contactor (see pages B8/90 and B8/92).




TeSys Control

SK, K, Deca Control relays

Product references

CA2KN223B7	CA2SK20E7	CA3SK20BD	CAD32JL
CA2KN223F7	CA2SK20F7	CA3SK20JD	CAD32L7
CA2KN223P7	CA2SK20G7	CA4KN223BW3	CAD32M7
CA2KN223P72	CA2SK20M7	CA4KN22BW3	CAD32MD
CA2KN22B7	CA2SK20P7	CA4KN22EW3	CAD32N7
CA2KN22B72	CA2SK20Q7	CA4KN22FW3	CAD32P7
CA2KN22D7	CA2SK20T7	CA4KN22SW3	CAD32Q7
CA2KN22E7	CA2SK20U7	CA4KN313BW3	CAD32R7
CA2KN22F7	CA2SK20UE7	CA4KN31BW3	CAD32SD
CA2KN22F72	CA2SKE20B7	CA4KN31FW3	CAD32T7
CA2KN22FC7	CA2SKE20G7	CA4KN31SW3	CAD32U7
CA2KN22FE7	CA2SKE20M7	CA4KN403BW3	CAD32UD
CA2KN22G7	CA2SKE20P7	CA4KN40BW3	CAD32V7
CA2KN22G72	CA2SKE20Q7	CA4KN40EW3	CAD32X7
CA2KN22L7	CA2SKE20T7	CA4KN40FW3	CAD32XD
CA2KN22M7	CA2SKE20U7	CAD323B7	CAD32Y7
CA2KN22M72	CA3KN223BD	CAD323BD	CAD503BD
CA2KN22N7	CA3KN223BD3	CAD323BL	CAD503BL
CA2KN22P7	CA3KN22BD	CAD323E7	CAD503FD
CA2KN22P72	CA3KN22BD3	CAD323F7	CAD503FE7
CA2KN22Q7	CA3KN22ED	CAD323FE7	CAD503P7
CA2KN22R7	CA3KN22ED3	CAD323G7	CAD506B7
CA2KN22T7	CA3KN22FD	CAD323JD	CAD506BD
CA2KN22U7	CA3KN22FD3	CAD323P7	CAD506ED
CA2KN22V7	CA3KN22GD	CAD326B7	CAD506F7
CA2KN313P72	CA3KN22GD3	CAD326BD	CAD506FD
CA2KN315F7	CA3KN22JD	CAD326BL	CAD506KD
CA2KN31B7	CA3KN22MD	CAD326CD	CAD506M7
CA2KN31D7	CA3KN22MD3	CAD326E7	CAD506MD
CA2KN31E7	CA3KN22ND	CAD326F7	CAD506P7
CA2KN31F7	CA3KN22SD	CAD326FD	CAD506R7
CA2KN31G7	CA3KN313BD	CAD326G7	CAD50B7
CA2KN31K7	CA3KN313BD3	CAD326GD	CAD50BD
CA2KN31M7	CA3KN315BD	CAD326K7	CAD50BL
CA2KN31M72	CA3KN317SD	CAD326KD	CAD50D7
CA2KN31P7	CA3KN31BD	CAD326L7	CAD50E7
CA2KN31P72	CA3KN31BD3	CAD326M7	CAD50ED
CA2KN31U7	CA3KN31ED	CAD326MD	CAD50F7
CA2KN31V7	CA3KN31ED3	CAD326P7	CAD50FD
CA2KN40B7	CA3KN31FD	CAD326Q7	CAD50FE7
CA2KN40B72	CA3KN31FD3	CAD326R7	CAD50G7
CA2KN40E7	CA3KN31GD	CAD326SD	CAD50GD
CA2KN40F7	CA3KN31GD3	CAD326SL	CAD50K7
CA2KN40FC72	CA3KN31JD	CAD326U7	CAD50L7
CA2KN40G7	CA3KN31MD	CAD326V7	CAD50M7
CA2KN40M7	CA3KN31MD3	CAD326VD	CAD50MD
CA2KN40N7	CA3KN31ND3	CAD32B7	CAD50N7
CA2KN40P7	CA3KN31UD	CAD32BD	CAD50P7
CA2KN40T7	CA3KN403BD	CAD32BL	CAD50Q7
CA2KN40U7	CA3KN403BD3	CAD32CD	CAD50R7
CA2SK11B7	CA3KN40BD	CAD32D7	CAD50SD
CA2SK11E7	CA3KN40BD3	CAD32E7	CAD50U7
CA2SK11F7	CA3KN40ED	CAD32ED	CAD50UD
CA2SK11G7	CA3KN40ED3	CAD32EL	CAD50Y7
CA2SK11M7	CA3KN40EPD	CAD32F7	
CA2SK11P7	CA3KN40FD	CAD32FC7	
CA2SK11T7	CA3KN40FD3	CAD32FD	
CA2SK11U7	CA3KN40GD	CAD32FE7	
CA2SK11UE7	CA3KN40GD3	CAD32FL	
CA2SK11V7	CA3KN40MD	CAD32G7	
CA2SK20B7	CA3KN40MD3	CAD32GD	
CA2SK20D7	CA3SK11BD	CAD32JD	

Control relays

This document is current.  Click on the product reference to get the most recent availability status (hyperlink to [se.com](https://www.se.com) product datasheet). If your product variant is no longer available, please consult your distributor or regional sales office.

Technical Data for Designers

Contents

TeSys SK Mini control relays:

- > characteristics B7/14 and B7/15
- > dimensions B7/16
- > schemes B7/17

TeSys K Control relays:

- > characteristics B7/18 and B7/19
- > dimensions B7/20
- > schemes B7/21

Deca Control relays:

- > characteristics B7/22 to B7/24
- > curves B7/25
- > dimensions B7/26
- > schemes B7/27

TeSys Control

SK, SKE Mini control relays

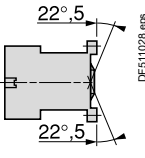
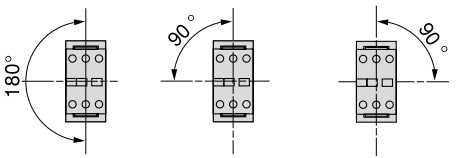
Characteristics



References:
p. B7/2 to B7/3

Dimensions:
p. B7/16

Schemes:
p. B7/17

Environment			
Rated insulation voltage (Ui)	Conforming to IEC 60947, CSA 22-2 n° 14, UL 508	V	690
Conforming to standards			IEC/EN 60947-5-1, UL 60947-5-1, CSA C22.2 n° 60947-5-1, GB/T 14048.5
Approvals			cULus, EAC, UKCA, CB certification
Degree of protection	Conforming to IEC 60529		Protection against direct finger contact IP2X
Ambient air temperature around the device	Storage	°C	-50...+70
	Operation	°C	-20...+50
Maximum operating altitude	Without derating	m	2000
Operating position		Vertical axis  Without derating	Horizontal axis  Without derating
Connection by connectors	Solid cable	mm²	Min. 1 x 1.5 or 2 x 1.5
	Flexible cable without cable end	mm²	Max. 1 x 6 or 2 x 4
	Flexible cable with cable end	mm²	1 x 6 or 2 x 2.5
	Flexible cable with cable end	mm²	1 x 0.35 or 2 x 0.35
Tightening torque	Pozidriv n° 1 head	N.m	0.8
Terminal referencing	Conforming to standards EN 50005 and EN 50011		Up to 4 contacts

Control circuit characteristics				
Control relay		CA2SK	CA2SKE	CA3SK
Rated control circuit voltage (Uc)		V	~ 24...400	~ 12...72
Control voltage limits (≤ 50 °C)	For operation		0.85...1.1 Uc	0.85...1.1 Uc
	For drop-out		≤ 0.20 Uc	≤ 0.10 Uc
Average consumption at 20 °C and at Uc	Inrush		16 VA	23 VA
	Sealed		4.2 VA	4.9 VA
Heat dissipation		W	1.4	1.5
Operating time at 20 °C and at Uc	Between coil energisation and opening of the N/C contacts	ms	8...16	10...18
		ms	7...14	8...12
	Between coil de-energisation and opening of the N/O contacts	ms	6...8	4...6
		ms	8...10	6...8
Maximum operating rate	In operating cycles per hour		1200	1200
Mechanical durability at Uc in millions of operating cycles	50/60 Hz coil		10	–
	Standard ~ coil		–	10

Control relays



References:
p. B7/3

Dimensions:
p. B7/16

Schemes:
p. B7/17

Auxiliary contact characteristics of mini control relays and instantaneous contact blocks

Rated operational voltage (Ue)		V	Up to 690
Rated insulation voltage (Ui)	Conforming to IEC 96047	V	690
Conventional rated thermal current (Ith)	For ambient temperature ≤ 55 °C	A	10
Minimum switching capacity	Umin	V	17
	Imin	mA	10
Frequency of the operational current		Hz	Up to 400
Short-circuit protection	Conforming to IEC 60947, gI fuse	A	10

Operational power of contacts conforming to IEC 60947

	a.c. supply, category AC-15						d.c. supply, category DC-13					
	Electrical durability (valid for up to 3600 operating cycles/hour) on an inductive load such as the coil of an electromagnet: making current ($\cos \varphi 0.7$) = 10 times the power broken ($\cos \varphi 0.4$).						Electrical durability (valid for up to 1200 operating cycles/hour) on an inductive load such as the coil of an electromagnet, without economy resistor, the time constant increasing with the load.					
	V	24	48	110/127	220/230	380/400	V	24	48	110	220	440
1 million operating cycles	VA	48	96	240	440	800 880	W	120	80	60	52	51
3 million operating cycles	VA	17	34	86	158	288 317	W	55	38	30	28	26
10 million operating cycles	VA	7	14	36	66	120 132	W	15	11	9	8	7
Occasional making capacity	VA	1000	2050	5000	10000	14000 13 000	W	720	600	400	300	230

TeSys Control

SK, SKE Mini control relays

Dimensions and mounting



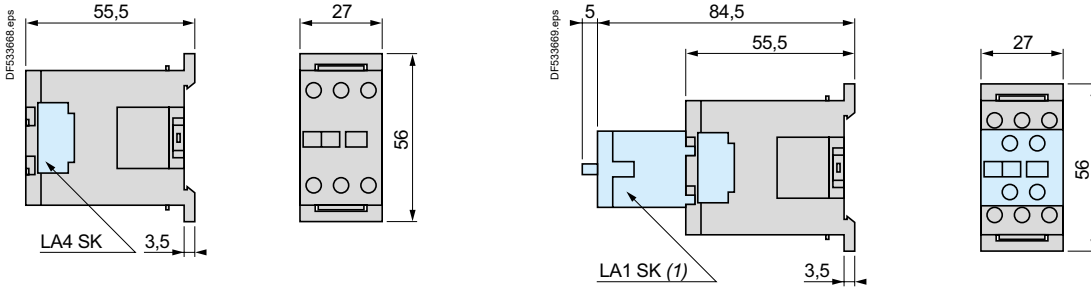
References:
p. B7/2 to B7/3

Characteristics:
p. B7/14 to B7/15

Schemes:
p. B7/17

Dimensions

Mini control relays CA2SK and CA3SK

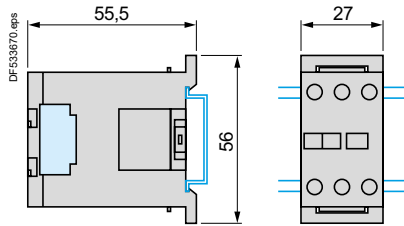


(1) Only on CA2SK20.

Mounting

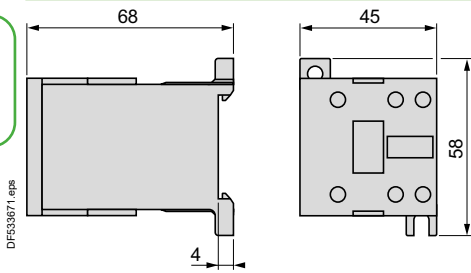
Mini control relays CA2SK and CA3SK

On mounting rail NSYDR200BD or NSYDR200 (└ 35 mm)



Dimensions

CA2SKE

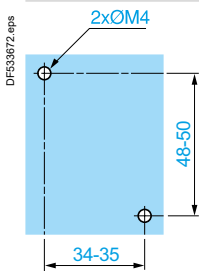


Control relays

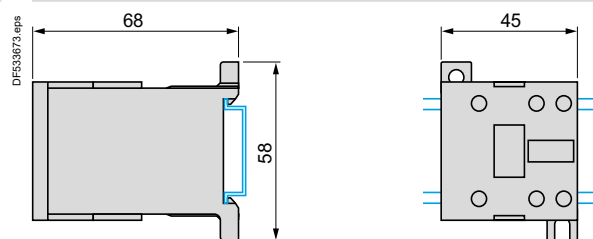
Mounting

CA2SKE

On panel



On mounting rail NSYDR200BD or NSYDR200 (└ 35 mm)



TeSys Control

SK, SKE Mini control relays

Schemes



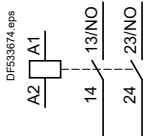
References:
p. B7/2 to B7/3

Characteristics:
p. B7/14 to B7/15

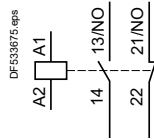
Dimensions:
p. B7/16

Schemes

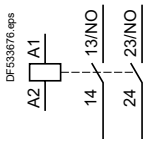
CA2SK20, CA3SK20 2 N/O



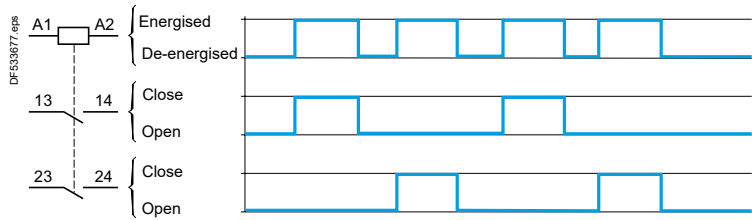
CA2SK11, CA3SK11 1 N/O + 1 N/C



CA2SKE 2 N/O

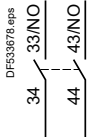


CA2SKE Function diagram

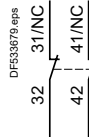


Instantaneous auxiliary contacts

2 N/O LA1SK20



2 N/C LA1SK02



1 N/O + 1 N/C LA1SK11



TeSys Control

K Control relays

Characteristics

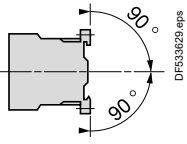
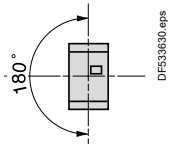
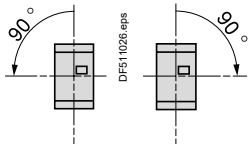


References:
p. B7/4 to B7/7

Dimensions:
p. B7/20

Schemes:
p. B7/21

Environment

Conforming to standards		IEC/EN 60947-5-1, UL 60947-5-1, CSA C22.2 n° 60947-5-1, GB/T 14048.5			
Product certifications		UL, CSA, CCC, EAC, UKCA, CB certification			
Operating positions		<p>Vertical axis</p>  <p>Without derating</p> <p>Horizontal axis</p>  <p>Without derating</p>  <p>Possible positions for CA2K only, with derating, please consult your Regional Sales Office.</p>			
Connection					
Screw clamp connections	Solid cable	mm ²	Min. 1 x 1.5	Max. 2 x 4	Max. to IEC 60947 1 x 4 + 1 x 2.5
	Flexible cable without cable end	mm ²	1 x 0.75	2 x 4	2 x 2.5
	Flexible cable with cable end	mm ²	1 x 0.34	1 x 1.5 + 1 x 2.5	1 x 1.5 + 1 x 2.5
Spring terminals	Solid cable	mm ²	1 x 0.75	1 x 1.5	2 x 1.5
	Flexible cable without cable end	mm ²	1 x 0.75	1 x 1.5	2 x 1.5
Faston connectors	Clip	mm	2 x 2.8 or 1 x 6.35		
Solder pins for printed circuit board	With locating device between power and control circuits		4 mm x 35 microns		
Tightening torque	Philips head n° 2 and Ø6	N.m	0.8		
Terminal referencing	Conforming to standards EN 50005 and EN 50011		Up to 8 contacts		
Degree of protection	Conforming to IEC 60529		Protection against direct finger contact IP2x (devices with screw clamp terminals or pins for printed circuit board)		
Ambient air temperature around the device	Storage	°C	-50...+80		
	Operation	°C	-25...+50		
Maximum operating altitude	Without derating	m	2000		
Vibration resistance 5...300 Hz	Control relay open		2 gn		
	Control relay closed		4 gn		
Conforming to IEC/EN 60068-2-27					
Flame resistance	Conforming to IEC 60695-2-11		850 °C		
Shock resistance (1/2 sine wave, 11 ms)	Control relay open		10 gn		
	Control relay closed		15 gn		
Conforming to IEC/EN 60068-2-27					

Control relays

Control circuit characteristics

Control relay type		CA2K	CA3K	CA4K	
Rated control circuit voltage (Uc)	V	~ 12...690	~ 12...250	~ 12...120	
Control voltage limits (y 50 °C) single voltage coil	For operation	0.8...1.15 Uc	0.8...1.15 Uc	0.7...1.3 Uc	
	For drop-out	≤ 0.2 Uc	≤ 0.1 Uc	≤ 0.1 Uc	
Mechanical durability at Uc In millions of operating cycles	50/60 Hz coil	10	–	–	
	Standard ~ coil	–	20	–	
	Wide range, low consumption ~ coil	–	–	30	
Maximum operating rate	In operating cycles per hour	10 000	10 000	6000	
Average consumption at 20 °C and at Uc	Inrush	30 VA	3 W	1.8 W	
	Sealed	4.5 VA	3 W	1.8 W	
Heat dissipation	W	1.3	3	1.8	
Operating time at 20 °C and at Uc	Between coil energisation and opening of the N/C contacts	ms	5...15	25...35	25...35
		ms	10...20	30...40	30...40
	Between coil de-energisation and opening of the N/O contacts	ms	10...20	10	10...20
		ms	15...25	15	15...25
Time constant (L/R)	ms	–	19	25	
Maximum immunity to microbreaks	ms	2	2	2	

TeSys Control

K Control relays & contact blocks

Characteristics



References:
p. B7/6

Dimensions:
p. B7/20

Schemes:
p. B7/21

Contact characteristics of control relays and instantaneous contact blocks

Number of auxiliary contacts	On CA•K On LA1K		4 2 or 4 for CA2K and CA3K , 2 for CA4K
Rated operational voltage (Ue)	Up to	V	690
Rated insulation voltage (Ui)	Conforming to IEC 60947 Conforming to UL 60947-5-1, CSA C22.2 n° 60947-5-1	V	690 600
Conventional thermal current (Ith)	For ambient temperature ≤ 50 °C	A	10
Frequency of the operational current		Hz	Up to 400
Minimum switching capacity	U min	V	17
	I min	mA	5
Short-circuit protection	Conforming to IEC 60947, gG fuse	A	10
Rated making capacity	Conforming to IEC 60947 I rms	A	110
Short-time rating	Permissible for		
	1 s	A	80
	500 ms	A	90
	100 ms	A	110
Insulation resistance		MΩ	> 10
Non-overlap distance	CA•K and LA1K : linked contacts conforming to INRS, BIA and CNA specifications	mm	0.5 (see schemes page B7/21)

Operational power of contacts conforming to IEC 60947

a.c. supply, category AC-15

Electrical durability (valid for up to 3600 operating cycles/hour) on an inductive load such as the coil of an electromagnet: making current ($\cos \varphi 0.7$) = 10 times the power broken ($\cos \varphi 0.4$)

d.c. supply, category DC-13

Electrical durability (valid for up to 1200 operating cycles/hour) on an inductive load such as the coil of an electromagnet, without economy resistor, the time constant increasing with the load.

	V	24	48	110/127	220/230	380/400	440	600/690	1200	V	24	48	110	220	440	600
1 million operating cycles	VA	48	96	240	440	800	880	1200		W	120	80	60	52	51	50
3 million operating cycles	VA	17	34	86	158	288	317	500		W	55	38	30	28	26	25
10 million operating cycles	VA	7	14	36	66	120	132	200		W	15	11	9	8	7	6
Occasional making capacity	VA	1000	2050	5000	10000	14000	13000	9000		W	720	600	400	300	230	200

1 Breaking limit of contacts valid for:

- maximum of 50 operating cycles at 10 s intervals (power broken = making current x $\cos \varphi 0.7$).

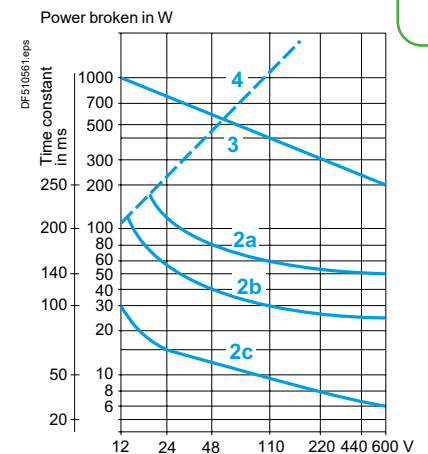
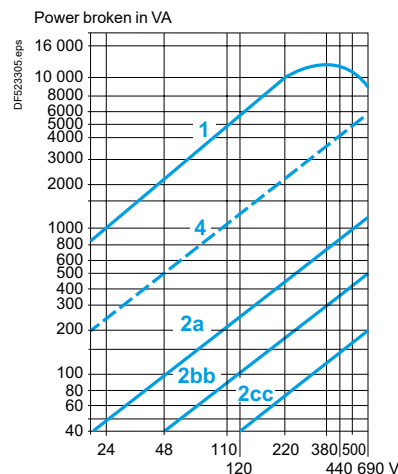
2 Electrical durability of contacts for:

- 1 million operating cycles (**2a**)
- 3 million operating cycles (**2b**)
- 10 million operating cycles (**2c**).

3 Breaking limit of contacts valid for:

- maximum of 20 operating cycles at 10 s intervals with current passing for 0.5 s per operating cycle.

4 Thermal limit



TeSys Control

K Control relays

Dimensions and mounting



References:
p. B7/4 to B7/7

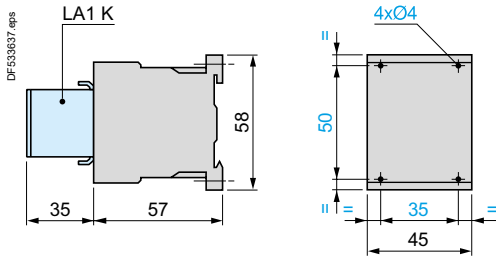
Characteristics:
p. B7/18 and B7/19

Schemes:
p. B7/21

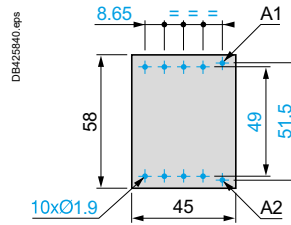
Control relays

CA2K, CA3K, CA4K

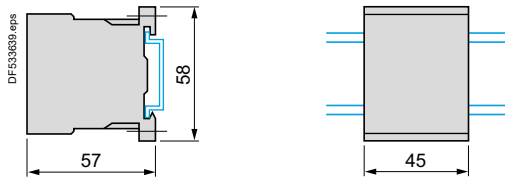
On panel



On printed circuit board

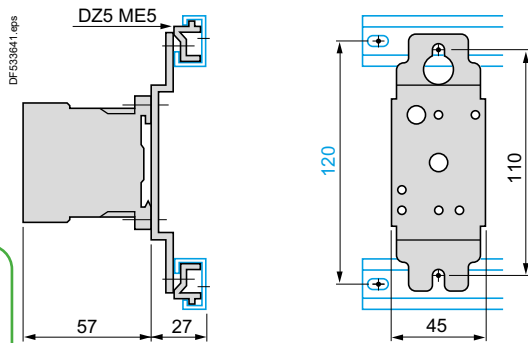


On mounting rail NSYDR200BD or NSYDR200 (L₀ 35 mm)



DX1AP25

On asymmetrical rail with clip-on mounting plates



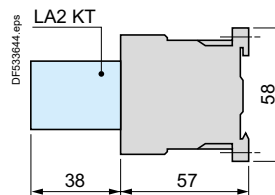
Control relays

Electronic time delay contact blocks

LA2KT

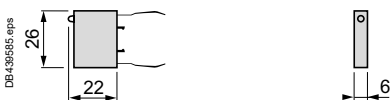


On control relay

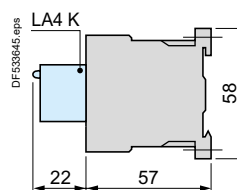


Suppressor modules

LA4K



On control relay



TeSys Control

K Control relays

Schemes



References:
p. B7/4 to B7/7

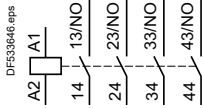
Characteristics:
p. B7/18 and B7/19

Dimensions:
p. B7/20

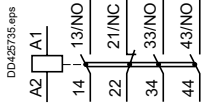
Control relays

CA2K, CA3K, CA4K

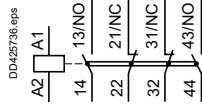
4 N/O



3 N/O + 1 N/C

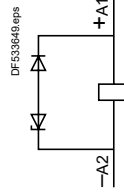


2 N/O + 2 N/C

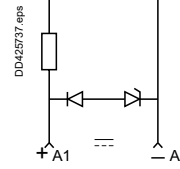


With integral suppression device

CA3K



CA4K



Instantaneous auxiliary contact blocks LA1K

For CA2K, CA3K, CA4K

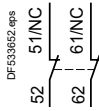
2 N/O

LA1KN20, LA1 KN207



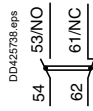
2 N/C

LA1KN02, LA1 KN027



1 N/O + 1 N/C

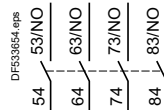
LA1KN11, LA1 KN117



For CA2K, CA3K

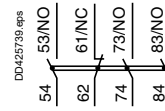
4 N/O

LA1KN40, LA1 KN407



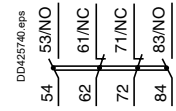
3 N/O + 1 N/C

LA1KN31, LA1 KN317



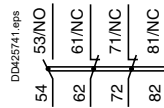
2 N/O + 2 N/C

LA1KN22



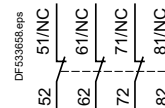
1 N/O + 3 N/C

LA1KN13



4 N/C

LA1KN04

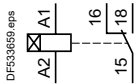


Electronic time delay contact blocks LA2KT

For CA2K, CA3K, CA4K

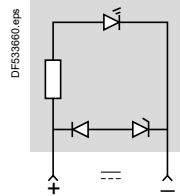
1 C/O

LA2KT2

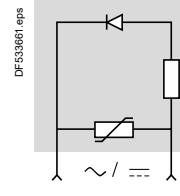


Suppressor modules

LA4KC



LA4KE



TeSys Control

Deca Control relays

Characteristics

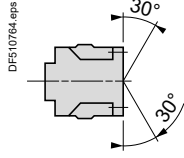
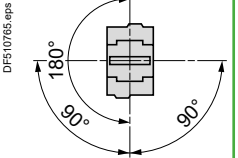
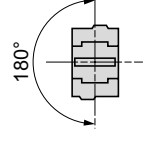
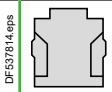
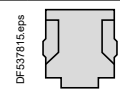


References:
p. B7/9 to B7/11

Curves:
p. B7/25

Dimensions:
p. B7/26

Schemes:
p. B7/27

Environment				CAD ~	CAD ≡	CAD ≡ low consumption
Control relay type						
Rated insulation voltage (Ui)	Conforming to IEC 60947-5-1 Overvoltage category III and degree of pollution 3	V	690	690	690	
	Conforming to UL, CSA	V	600	600	600	
Rated impulse withstand voltage (Uimp)	Conforming to IEC 60947	kV	6	6	6	
Separation of electrical circuits	Conforming to IEC 60536		Reinforced insulation up to 400 V			
Conforming to standards			IEC/EN 60947-5-1, UL 60947-5-1, CSA C22.2 n° 60947-5-1, GB/T 14048.5			
Product certifications			UL, CSA, CCC, EAC, UKCA, CB certification, EU-RO-MR by DNV-GL			
Degree of protection	Conforming to IEC 60529		Front face protected against direct finger contact IP 2X		Protection against direct finger contact IP 2X	
Ambient air temperature around the device	Storage	°C	-60...+80			
	Operation ⁽¹⁾	°C	-40...+60			
	Allowed ⁽¹⁾	°C	+60...+70 at Uc to 1, ● x Uc			
Maximum operating altitude	Without derating	m	3000	3000	3000	
Operating positions	Without derating in the following positions 					
		Positions that are not allowed				
Shock resistance ⁽²⁾ half sine wave for 11ms	Control relay open		10 gn	10 gn	10 gn	
	Control relay closed		15 gn	15 gn	15 gn	
Vibration resistance ⁽²⁾ 5...300 Hz	Control relay open		2 gn	2 gn	2 gn	
	Control relay closed		4 gn	4 gn	4 gn	
Screw clamp connections	Flexible conductor without cable end	1 conductor	mm ²	1...4	1...4	1...4
		2 conductors	mm ²	1...4	1...4	1...4
	Flexible conductor with cable end	1 conductor	mm ²	1...4	1...4	1...4
		2 conductors	mm ²	1...2.5	1...2.5	1...2.5
	Solid conductor without cable end	1 conductor	mm ²	1...4	1...4	1...4
		2 conductors	mm ²	1...4	1...4	1...4
Tightening torque		N.m	1.7	1.7	1.7	
Spring terminal connections	1 or 2 flexible or rigid conductors without cable end	mm ²	1...2.5	1...2.5	1...2.5	

(1) As per IEC60947-1, operating time and drop out voltage given and tested for -5...+40 °C.
(2) In the least favourable direction, without change of contact state, with coil supplied at Uc.

Control
relays



References:
p. B7/9 to B7/11

Curves:
p. B7/25

Dimensions:
p. B7/26

Schemes:
p. B7/27

Control circuit characteristics					
Control relay type			CAD ~	CAD ---	CAD low consumption
Rated control circuit voltage (Uc)		V	12...690	12...440	--- 5...72
Control voltage limits					
Operation	With coil 50/60 Hz		0.8...1.1 Uc at 50 Hz	–	–
			0.85...1.1 Uc at 60 Hz	–	–
	With standard coil, wide range		–	0.7...1.25 Uc	0.7...1.25 Uc
Drop-out			0.3...0.6 Uc	0.1...0.25 Uc	0.1...0.25 Uc
Average consumption at 20 °C and at Uc					
	~ 50/60 Hz (at 50 Hz)	VA	Inrush: 70 sealed: 8	–	–
	With standard coil	W	–	Inrush or sealed: 5.4	Inrush or sealed: 2.4
Operating time (at rated control circuit voltage and at 20 °C)					
	Between coil energisation and - opening of the N/C contacts	ms	4...19	55 ± 15 %	67 ± 15 %
	- closing of the N/O contacts	ms	12...22	63 ± 15 %	77 ± 15 %
	Between coil de-energisation and - opening of the N/O contacts	ms	4...12	20 ± 20 %	27 ± 20 %
	- closing of the N/C contacts	ms	6...17	25 ± 20 %	35 ± 20 %
Short supply failure		ms	2	2	2
Maximum operating rate			3	3	3
Mechanical durability In millions of operating cycles					
	With coil 50/60 Hz (at 50 Hz)		30	–	–
	With standard coil --- wide range		–	30	30
Time constant L/R		ms	–	28	40



References:
p. B7/9 to B7/11

Curves:
p. B7/25

Dimensions:
p. B7/26

Schemes:
p. B7/27

Characteristics of instantaneous contacts incorporated in the control relay

Number of contacts			5
Rated operational voltage (U _e)	Up to	V	690
Rated insulation voltage (U _i)	Conforming to IEC 60947-5-1	V	690
	Conforming to UL, CSA	V	600
Conventional thermal current (I _{th})	For ambient temperature ≤ 60 °C	A	10
Frequency of the operational current		Hz	25...400
Minimum switching capacity	U min	V	17
	I min	mA	5
Short-circuit protection	Conforming to IEC 60947-5-1		gG fuse: 10 A
Rated making capacity	Conforming to IEC 60947-5-1	I rms	~ 140, ∞ 250
Short-time rating	Permissible for	1 s	A 100
		500 ms	A 120
		100 ms	A 140
Insulation resistance		MΩ	> 10
Non-overlap time	Guaranteed between N/C and N/O contacts	ms	1.5 (on energisation and on de-energisation)
Tightening torque	Philips head n° 2 and Ø6	N.m	1.7
Non-overlap distance			Linked contacts in association with auxiliary contacts LADN
Mechanically linked contacts	Conforming to IEC 60947-5-1		The 3 N/O contacts and the 2 N/C contacts of CAD N32 are linked mechanically by one mobile contact carrier.



References:
p. B7/9 to B7/11

Characteristics:
p. B7/22 to B7/24

Dimensions:
p. B7/26

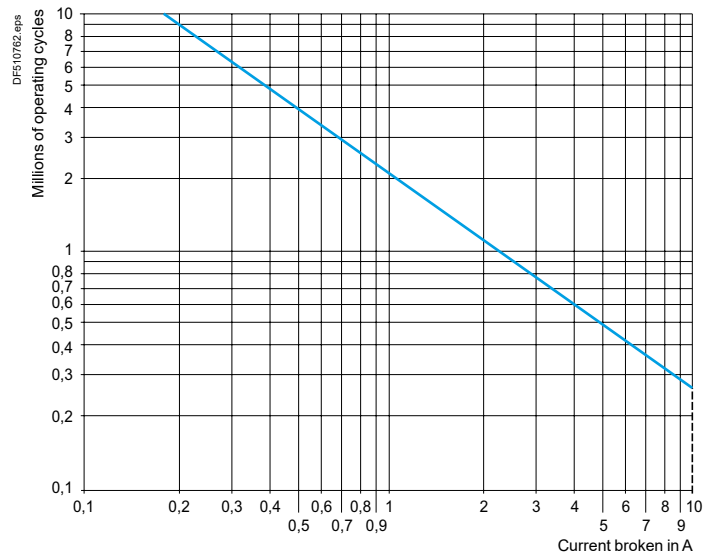
Schemes:
p. B7/27

Rated operational power of contacts (conforming to IEC 60947-5-1)

a.c. supply, categories AC-14 and AC-15

Electrical durability (valid for up to 3600 operating cycles/hour) on an inductive load such as the coil of an electromagnet:
making current ($\cos \varphi 0.7$) = 10 times the power broken ($\cos \varphi 0.4$).

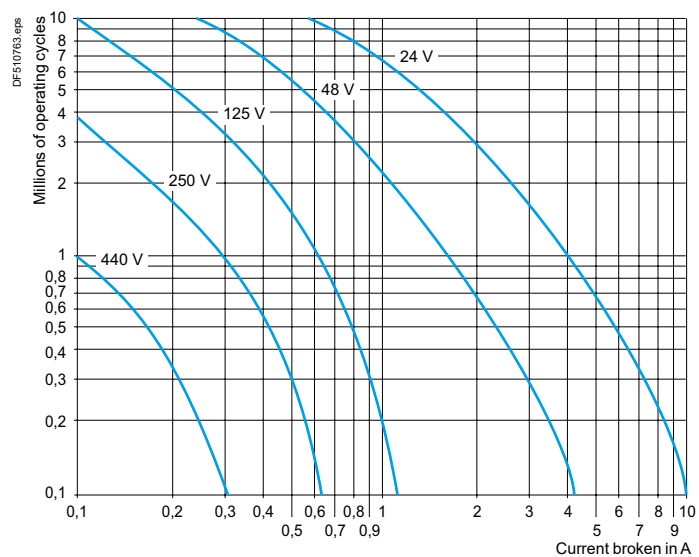
	V	24	48	115	230	400	440	600
1 million operating cycles	VA	60	120	280	560	960	1050	1440
3 million operating cycles	VA	16	32	80	160	280	300	420
10 million operating cycles	VA	4	8	20	40	70	80	100



d.c. supply, category DC-13

Electrical durability (valid for up to 1200 operating cycles/hour) on an inductive load such as the coil of an electromagnet, without economy resistor, the time constant increasing with the power.

Operating cycles	V	24	48	125	250	440
1 million	W	96	76	76	76	44
3 million	W	48	38	38	32	–
10 million	W	14	12	12	–	–



TeSys Control

Deca Control relays

Dimensions and mounting



References:
p. B7/9 to B7/11

Illustrations:
p. B7/8

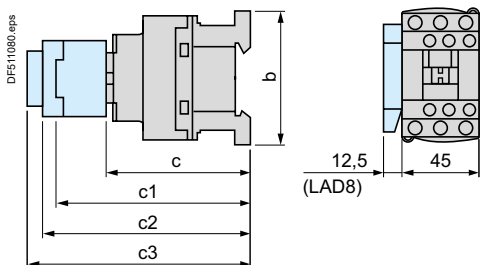
Characteristics:
p. B7/22 to B7/24

Curves:
p. B7/25

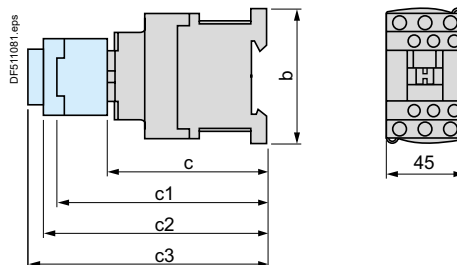
Schemes:
p. B7/27

Dimensions

CAD ~



CAD ⋯ or LC (low consumption)



CAD	32	323
b	77	99
c without cover or add-on blocks	84	84
with cover, without add-on blocks	86	86
c1 with LADN or C (2 or 4 contacts)	117	117
c2 with LAD6K10	129	129
c3 with LADT, R, S	137	137
with LADT, R, S and sealing cover	141	141

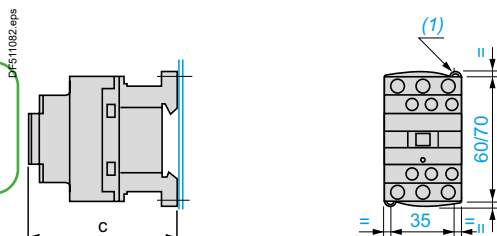
CAD	32	323
b	77	99
c without cover or add-on blocks	93	93
with cover, without add-on blocks	95	95
c1 with LADN or C (2 or 4 contacts)	126	126
c2 with LAD6K10	138	138
c3 with LADT, R, S	146	146
with LADT, R, S and sealing cover	150	150

Operating cycles	V	24	48	125	250	440
1 million	W	120	90	75	68	61
3 million	W	70	50	38	33	28
10 million	W	25	18	14	12	10

Mounting

CAD

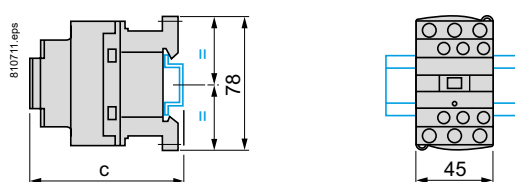
Panel mounted



	CAD ~	CAD ⋯ or LC
c with cover	86	95

(1) 2 elongated holes 4.5 x 9.

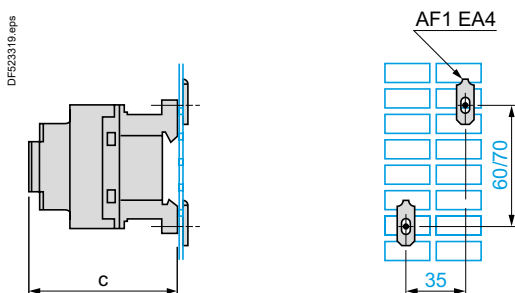
Mounted on rail NSYDR200BD or NSYDR200



	CAD ~	CAD ⋯ or LC
c (NSYDR200BD) (2)	88	97
c (NSYDR200BD) (2)	96	105

(2) With cover.

Mounted on plate AM1P



	CAD ~	CAD ⋯ or LC
c with cover	86	95

TeSys Control

Deca Control relays

Schemes



References:
p. B7/9 to B7/11

Illustrations:
p. B7/8

Characteristics:
p. B7/22 to B7/24

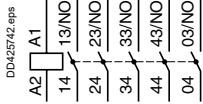
Curves:
p. B7/25

Schemes:
p. B7/27

Instantaneous auxiliary contacts

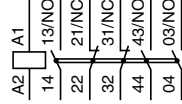
5 N/O

CAD50



3 N/O + 2 N/C

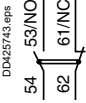
CAD32



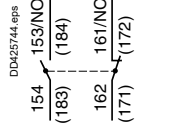
Instantaneous auxiliary contact blocks

1 N/O + 1 N/C

LADN11



LAD8N11 ⁽¹⁾

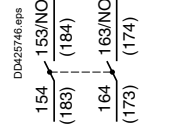


2 N/O

LADN20

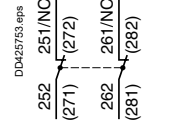


LAD8N20 ⁽¹⁾

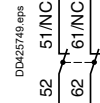


2 N/C

LAD8N02



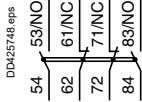
LADN02



⁽¹⁾ The figures in brackets are for the device mounted on the RH side of the control relay.

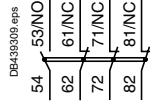
2 N/O + 2F N/C

LADN22



1 N/O + 3 N/C

LADN13



4 N/O

LADN40



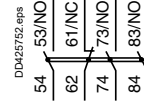
4 N/C

LADN04



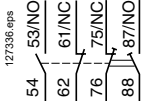
3 N/O + 1 N/C

LADN31



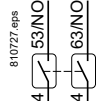
2 N/O + 2 N/C including
1 N/O + 1 N/C
make before break

LADC22

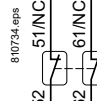


With dust and damp protected contacts
2 N/O protected 2 N/C protected

LA1DX20

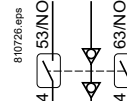


LA1DX02



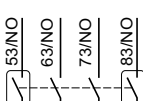
2 N/O protected ⁽²⁾
with 2 cable screen
terminals

LA1DY20



2 N/O protected +
2 N/O non protected

LA1DZ40



2 N/O protected +
1 N/O + 1 N/C
non protected

LA1DZ31



⁽²⁾ Product fitted with 4 earth screen continuity terminals.

Time delay auxiliary contact blocks

On-delay 1 N/O + 1 N/C

LADT

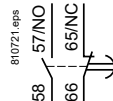


LADS



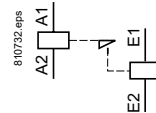
Off-delay
1 N/O + 1 N/C

LADR



Mechanical latch blocks

LAD6K10



Control
relays

Control
relays

TeSys SK, K Contactors		
Type of product	Range	Pages
Contactors 27 and 45 mm width for use in modular panels TeSys SK	From 12 to 20 A	 B8/2
Contactors TeSys K	From 6 to 16 A	 B8/4
Reversing Pre-assembled Contactors TeSys K	From 6 to 16 A	 B8/8
Auxiliary Contact Blocks - Accessories		B8/13
TeSys Deca Advanced - Electronically Controlled Contactors		
Introduction		B8/16
AC-3/AC-3e Applications - 3-pole, 4-pole TeSys Deca Advanced Contactors (with AC/DC compatible coil)	From 9 to 150 A	 B8/24
AC-1 Applications - 3-pole, 4-pole TeSys Deca Advanced Contactors	From 25 to 200 A	B8/25
UL and CSA Applications - 3-pole TeSys Deca Advanced Contactors	From 25 to 160 A	B8/26
TeSys Deca contactors		
AC-3/AC-3e Applications - 3-pole TeSys Deca Contactors	From 9 to 95 A	 B8/28
AC-1 Applications - 3-pole, 4-pole TeSys Deca Contactors	From 25 to 125 A	B8/30
UL CSA Application - 3-pole TeSys Deca Contactors	From 25 to 110 A	B8/34
Reversing TeSys Deca Advanced Contactors (with AC/DC compatible coil)	From 9 to 80 A	 B8/35
Reversing, Changeover Pre-assembled TeSys Deca Contactors	From 9 to 95 A	B8/36
Contactors for Switching Capacitor Banks	From 12.5 to 104 kVAR	 B8/40
Auxiliary Contact Blocks - Accessories - Spare Parts for Deca Advanced and Deca Contactors		B8/43
Modular Contactors		
Modular Contactors	From 16 to 100 A	 B8/59
Modular Dual Tariff Contactors	16, 25, 40 or 100 A	 B8/60
Modular Impulse Relay	Up to 16 A	 B8/61
Auxiliary Contact Blocks - Accessories		B8/62

TeSys Control

SK Contactors

Product references



Characteristics:
p. B8/70 to B8/73

Dimensions:
p. B8/74

Schemes:
p. B8/74



Click [HERE](#) for access to online contactor selector

- Width of contactor 27 mm.
- Mounting on 35 mm rail.
- Screw clamp terminals.

LC1SK contactors can be fitted with an add-on block or auxiliary contact block, LP1SK and LC1SKGC contactors can't.



LC1SK0600●●

Mini-contactors for motor in category AC-3

Standard power ratings of 3-phase motors 50/60 Hz in category AC-3 ⁽¹⁾			Rated operational voltage in AC-3 up to 400 V	Number of poles	Instantaneous auxiliary contacts		Basic reference. Complete with code indicating control circuit voltage ⁽²⁾⁽³⁾
220 V	380 V	660 V					
230 V	415 V	690 V					
kW	kW	kW	A				
1.1	2.2	2.2	6	2	-	-	LC1SK0600●●

Mini-contactors for motor in category AC-1

Non inductive loads maximum current ($\theta \leq 55^\circ\text{C}$) utilisation category AC-1	Control circuit supply	Number of poles	Instantaneous auxiliary contacts		Basic reference. Complete with code indicating control circuit voltage ⁽²⁾⁽³⁾
A					
12	AC	2	-	-	LC1SK0600●●
	DC	2	-	-	LP1SK0600●●

(1) For use in AC-3 category and 3-phase circuits, an **LA1SK●●** auxiliary contact block should be ordered separately for mounting on the contactor.

(2) Standard control circuit voltages (variable delivery times, please consult your Regional Sales Office):

Mini-contactors LC1SK

Volts ~ 50/60 Hz	24	48	110	120	220	230	240	380	400
Code	B7	E7	F7	G7	M7	P7	U7	Q7	V7

Mini-contactors LP1SK

Volts ~	12	24	36	48	72
Code	JD	BD	CD	ED	SD

(3) Please check the availability of your variant in the index page B8/63. The SEARCH function of your viewer can be used.

Add-on power pole (for 3-phase circuits) with aux. contact

For use on contactor LC1SK0600●● with 1 NO power pole (6 AAC-3, 10 A AC-1) and with 1 NC aux. contact (Ith 10 A). Ue 690 V AC 50/60 Hz for both contacts	Number of poles	Instantaneous auxiliary contacts	Reference
Clip-on front mounting	1	- 1	LA1SK01



LA1SK01

Instantaneous auxiliary contact blocks

For use on contactor LC1SK0600●● Aux. contacts: Ith 10 A. Ue: 690 V AC 50/60 Hz	Maximum number of blocks per contactor	Composition	Reference
Clip-on front mounting	1	- 2	LA1SK20
		1 1	LA1SK11

Coil suppressor modules

Clip-on fixing and electrical connection on right-hand side, without use of tools

For use on contactors	Type	For voltages	Sold in lots of	Unit reference
LC1SK0600●●	Varistor ⁽¹⁾	~ and ~ 24 V...48 V	10	LA4SKE1E
LP1SK0600●●, LC1SKGC●●●	Diode ⁽²⁾	~ and ~ 110 V...250 V	10	LA4SKE1U
		~ 24 V...250 V	10	LA4SKC1U

(1) Protection provided by limiting the transient voltage to $2 U_c \text{ max}$. Maximum reduction of transient voltage peaks. Slight increase in drop-out time (1.1 to 1.5 times the normal time).

(2) No overvoltage or oscillating frequency. Slight increase in drop-out time (1.1 to 1.5 times the normal time).



Characteristics:
p. B8/75 to B8/77

Curves:
p. B8/78

Dimensions:
p. B8/79

Schemes:
p. B8/79



Click [HERE](#) for access
to online contactor selector

Mini-contactors 25 and 47 mm pitch for use in modular panels.

- Mounting on 35 mm rail or fixing by four Ø4 screws, except for LC1SKGC200.
- Connection by connectors.
- Mini-contactor fitted with transparent, sealable protective cover to prevent front face access.

PB111643.eps



LC1SKGC200

Mini-contactors, width 27 mm

Standard power ratings of 3-phase motors 50/60 Hz in category AC-3			Rated operational current in AC-3 up to 400 V	Non inductive loads category AC-1 maximum current $\theta \leq 50^\circ\text{C}$	No. of poles	Instantaneous auxiliary contacts		Basic reference, to be completed by adding the voltage code ^{(1) (2)}
220 V	380 V	660 V						
230 V	415 V	690 V					LC1SKGC200●●	
kW	kW	kW	A	A				
-	-	-	5	20	2	-	-	

PB111644.eps



LC1SKGC300

Mini-contactors, width 45 mm

Standard power ratings of 3-phase motors 50/60 Hz in category AC-3			Rated operational current in AC-3 up to 400 V	Non inductive loads category AC-1 maximum current $\theta \leq 50^\circ\text{C}$	No. of poles	Instantaneous auxiliary contacts		Basic reference, to be completed by adding the voltage code ^{(1) (2)}
220 V	380 V	660 V						
230 V	415 V	690 V					LC1SKGC310●●	
kW	kW	kW	A	A				
1.1	4	4	9	20	3	1	-	
					3	-	1	LC1SKGC301●●

⁽¹⁾ Standard control circuit voltages (for other voltages, please consult your Regional Sales Office):

Volts ~ 50/60 Hz	24	48	110	120	220	230	240	380	400
Code	B7	E7	F7	G7	M7	P7	U7	Q7	V7

⁽²⁾ Please check the availability of your variant in the index page B8/63. The SEARCH function of your viewer can be used.

TeSys Control K Contactors

Product references



Characteristics:
p. B8/80 to B8/82

Dimensions:
p. B8/84

Schemes:
p. B8/85



Click [HERE](#) for access
to online contactor selector



LC1K0910●●



LC1K09103●●



LC1K09107●●



LC1K09105●●



LC7K0910●●

Mounting on 35 mm rail or Ø4 screw fixing.
Screws in the open "ready-to-tighten" position.
Add-on auxiliary contact blocks and accessories, see pages B8/13 to B8/15.

3-pole contactors - Motor control 6 to 16 A in categories AC-3, AC-3e, AC-4 - AC coil

Standard power ratings of
3-phase motors 50-60 Hz
in category AC-3/AC-3e

Rated operational
current in category
AC-3/AC-3e 440 V
up to

Instantaneous
auxiliary contacts

Basic reference,
to be completed by
adding the voltage code
(1) (2)

220 V	380 V	440 V
230 V	415 V	690 V

kW kW kW A

Screw clamp connections

1.5	2.2	3	6	1	-	LC1K0610●●
				-	1	LC1K0601●●
2.2	4	4	9	1	-	LC1K0910●●
				-	1	LC1K0901●●
3	5.5	4 (> 440)	12	1	-	LC1K1210●●
		5.5 (440)		-	1	LC1K1201●●
4	7.5	4 (> 440)	16	1	-	LC1K1610●●
		5.5 (440)		-	1	LC1K1601●●

Spring terminal connections (3)

For 6 to 12 A ratings only, in the references selected above, insert a figure 3 before the voltage code.
Example: LC1K0610●● becomes LC1K06103●●.

Faston connectors, 1 x 6.35 or 2 x 2.8

For 6 to 16 A ratings, in the references selected above, insert a figure 7 before the voltage code.
Example: LC1K0610●● becomes LC1K06107●●.

Solder pins for printed circuit boards

For 6 to 16 A ratings, in the references selected above, insert a figure 5 before the voltage code.
Example: LC1K0610●● becomes LC1K06105●●.

3-pole silent contactors

Recommended for use in areas sensitive to noise, high interference mains supplies, etc.
Coil with rectifier incorporated, suppressor fitted as standard.

Screw clamp connections

1.5	2.2	3	6	1	-	LC7K0610●●
				-	1	LC7K0601●●
2.2	4	4	9	1	-	LC7K0910●●
				-	1	LC7K0901●●
3	5.5	4 (> 440)	12	1	-	LC7K1210●●
		5.5 (440)		-	1	LC7K1201●●

Faston connectors, 1 x 6.35 or 2 x 2.8

In the references selected above, insert a figure 7 before the voltage code.
Example: LC7K0610●● becomes LC7K06107●●.

Solder pins for printed circuit boards

In the references selected above, insert a figure 5 before the voltage code.
Example: LC7K0610●● becomes LC7K06105●●.

Standard control circuit voltages (for other voltages, please consult your Regional Sales office)

Coil voltage codes - AC (4)

Contactors LC1K (0.8...1.15 Uc) (0.85...1.1 Uc)

Volts	12	20	24 ⁽¹⁾	36	42	48	110	115	120	127	200/208	220/230	230	230/240
50 Hz ⁽⁶⁾			B5		D5	E5							P5	
50/60 Hz	J7	Z7	B7	C7	D7	E7	F7	FE7	G7	FC7	L7	M7	P7	U7
Volts	256	277	380/400	400	400/415	440	480	500	575	600	660/690			
50/60 Hz	W7	UE7	Q7	-	V7	N7	R7	T7	S7	SC7	X7	Y7	-	-

Up to and including 240 V, coil with integral suppression device available: add 2 to the code required. Example: J72.

Contactors LC7K (0.85...1.1 Uc)

Volts	24	42	48	110	115	220	230/240
50/60 Hz	B7	D7	E7	F7	FE7	M7	U7

(1) For mains supplies with a high level of interference (voltage surge > 800 V), use a suppressor module LA4KE1FC (50...129 V) or LA4KE1UG (130...250 V), see page B8/14.

(2) Please check the availability of your variant in the index page B8/63. The SEARCH function of your viewer can be used.

(3) For LCeK●●●●3/LP●K●●●●3 with spring terminal, I_{th} max = 16 A.

(4) (0.8...1.15 Uc) for single voltage coil; (0.85...1.1 Uc) for dual voltage coil, example 200/208 V AC.

(5) Only available for 'screw clamp terminals' versions.



Characteristics:
p. B8/80 to B8/82

Dimensions:
p. B8/84

Schemes:
p. B8/85



Click [HERE](#) for access
to online contactor selector



LP1K0910●●



LP1K09103●●



LP1K09105●●



LP4K0910●●

Contactors selection according to utilisation category, see pages A5/108 to A5/113 and A5/116 to A5/119.
Mounting on 35 mm rail or Ø4 screw fixing.
Screws in the open "ready-to-tighten" position.

Add-on auxiliary contact blocks and accessories, see pages B8/13 to B8/15.

3-pole contactors - Motor control 6 to 12 A in categories AC-3, AC-3e, AC-4 - DC coil

Standard power ratings of 3-phase motors 50-60 Hz in category AC-3/AC-3e			Rated operational current in category AC-3/AC-3e 440 V up to	Instantaneous auxiliary contacts	Basic reference, to be completed by adding the voltage code (1) (2)
220 V	380 V	440 V			
230 V	415 V	690 V			
kW	kW	kW	A		
Screw clamp connections					
1.5	2.2	3	6	1 -	LP1K0610●●
				- 1	LP1K0601●●
2.2	4	4	9	1 -	LP1K0910●●
				- 1	LP1K0901●●
3	5.5	4 (> 440)	12	1 -	LP1K1210●●
		5.5 (440)		- 1	LP1K1201●●

Spring terminal connections (3)

In the references selected above, insert a figure 3 before the voltage code.
Example: LP1K0610●● becomes LP1K06103●●.

Faston connectors, 1 x 6.35 or 2 x 2.8

In the references selected above, insert a figure 7 before the voltage code.
Example: LP1K0610●● becomes LP1K06107●●.

Solder pins for printed circuit boards

In the references selected above, insert a figure 5 before the voltage code.
Example: LP1K0610●● becomes LP1K06105●●.

3-pole low consumption contactors

Compatible with programmable controller outputs.
Wide range coil (0.7...1.30 Uc), suppressor fitted as standard, consumption 1.8 W.

Screw clamp connections

1.5	2.2	3	6	1 -	LP4K0610●●
				- 1	LP4K0601●●
2.2	4	4	9	1 -	LP4K0910●●
				- 1	LP4K0901●●
3	5.5	4 (> 440)	12	1 -	LP4K1210●●
		5.5 (440)		- 1	LP4K1201●●

Spring terminal connections

In the references selected above, insert a figure 3 before the voltage code.
Example: LP4K0610●● becomes LP4K06103●●.

Faston connectors, 1 x 6.35 or 2 x 2.8

In the references selected above, insert a figure 7 before the voltage code.
Example: LP4K0610●● becomes LP4K06107●●.

Solder pins for printed circuit boards

In the references selected above, insert a figure 5 before the voltage code.
Example: LP4K0610●● becomes LP4K06105●●.

Standard control circuit voltages (for other voltages, please consult your Regional Sales office)

DC supply (contactors LP1K: 0.8...1.15 Uc)

Volts	12	20	24 (1)	36	48	60	72	100	110	125	155	174	200	220	230	240	250
Code	JD	ZD	BD	CD	ED	ND	SD	KD	FD	GD	PD	QD	LD	MD	MPD	MUD	UD

Coil with integral suppression device available: add 3 to the code required. Example: **JD3**

Low consumption (contactors LP4K: 0.7...1.3 Uc)

Volts	12	20	24	48	72	110	120
Code	JW3	ZW3	BW3	EW3	SW3	FW3	GW3

Coil with integral suppression device fitted as standard, by bi-directional peak limiting diode.

(1) For LP1K only, when connecting an electronic sensor or timer in series with the contactor coil, select a 20 V coil (~ control circuit voltage code Z7, - control circuit voltage code ZD) so as to compensate for the incurred voltage drop.

(2) Please check the availability of your variant in the index page B8/63. The SEARCH function of your viewer can be used.

(3) For LC●K●●●●3 / LP●K●●●●3 with spring terminal), I_{th} max = 16 A.



Characteristics:
p. B8/80 to B8/82

Dimensions:
p. B8/84

Schemes:
p. B8/85



Click [HERE](#) for access to online contactor selector

Contactor selection according to utilisation category, see pages A5/114 and A5/115.

Mounting on 35 mm rail or Ø4 screw fixing.

Screws in the open "ready-to-tighten" position.

Add-on auxiliary contact blocks and accessories, see pages B8/13 to B8/15.



LC1K0904●●



LC1K09103●●



LC1K09107●●



LC7K0910●●

Contactor

3 or 4-pole contactors - Load control up to 20 A in category AC-1 - AC coil ⁽¹⁾

Non-inductive loads Category AC-1 Maximum current at $\theta \leq 50^\circ\text{C}$	Number of poles	Instantaneous auxiliary contacts	Basic reference, to be completed by adding the voltage code ⁽²⁾⁽³⁾

Screw clamp connections					
20	3	-	1	-	LC1K0910●● or LC1K1210●●
	3	-	-	1	LC1K0901●● or LC1K1201●●
	4	-	-	-	LC1K09004●● or LC1K12004●●
	2	2	-	-	LC1K09008●●

Spring terminal connections ⁽⁴⁾

In the references selected above, insert a figure 3 before the voltage code.

Example: LC1K0910●● becomes LC1K09103●●.

Faston connectors, 1 x 6.35 or 2 x 2.8

In the references selected above, insert a figure 7 before the voltage code.

Example: LC1K0910●● becomes LC1K09107●●.

Solder pins for printed circuit boards

In the references selected above, insert a figure 5 before the voltage code.

Example: LC1K0910●● becomes LC1K09105●●.

3 or 4-pole silent contactors ⁽¹⁾

Recommended for use in areas sensitive to noise, high interference mains supplies, etc.

Coil with rectifier incorporated, suppressor fitted as standard.

Screw clamp connections

20	3	-	1	-	LC7K0910●● or LC7K1210●●
	3	-	-	1	LC7K0901●● or LC7K1201●●
	4	-	-	-	LC7K09004●● or LC7K12004●●
	2	2	-	-	LC7K09008●●

Faston connectors, 1 x 6.35 or 2 x 2.8

In the references selected above, insert a figure 7 before the voltage code.

Example: LC7K0910●● becomes LC7K09107●●.

Solder pins for printed circuit boards

In the references selected above, insert a figure 5 before the voltage code.

Example: LC7K0910●● becomes LC7K09105●●.

⁽¹⁾ Coordination tables between 9 and 12 A ratings according to number of operating cycles, see AC-1 curve on page A5/114.

Standard control circuit voltages (for other voltages, please consult your Regional Sales office)

Coil voltage codes - AC ⁽⁵⁾

Contactors LC1K (0.8...1.15 Uc) (0.85...1.1 Uc)

Volts	12	20	24 ⁽²⁾	36	42	48	110	115	120	127	200/208	220/230	230	230/240
50 Hz ⁽⁶⁾			B5		D5	E5							P5	
50/60 Hz	J7	Z7	B7	C7	D7	E7	F7	FE7	G7	FC7	L7		P7	U7
Volts	256	277	380/400		400	400/415	440	480	500	575	600	660/690		
50/60 Hz	W7	UE7	Q7		V7	N7		R7	T7	S7	SC7	X7	Y7	

Up to and including 240 V, coil with integral suppression device available: add 2 to the code required. Example: J72.

Contactors LC7K (0.8...1.1 Uc)

Volts	24	42	48	110	115	220	230/240
50/60 Hz	B7		D7	E7	F7	FE7	M7
							U7

⁽²⁾ For mains supplies with a high level of interference (voltage surge > 800 V), use a suppressor module LA4KE1FC (50...129 V) or LA4KE1UG (130...250 V), see page B8/14.

⁽³⁾ Please check the availability of your variant in the index page B8/63. The SEARCH function of your viewer can be used.

⁽⁴⁾ For LC●K●●●●3 / LP●K●●●●3 with spring terminal, lth max = 16 A.

⁽⁵⁾ (0.8...1.15 Uc) for single voltage coil; (0.85...1.1 Uc) for dual voltage coil, example 200/208 V AC.

⁽⁶⁾ Only available for 'screw clamp terminals' versions.



Characteristics:
p. B8/80 to B8/82

Dimensions:
p. B8/84

Schemes:
p. B8/85



Click [HERE](#) for access
to online contactor selector

Contactor selection according to utilisation category, see pages A5/114 and A5/115.

Mounting on 35 mm rail or Ø4 screw fixing.

Screws in the open "ready-to-tighten" position.

Add-on auxiliary contact blocks and accessories, see pages B8/13 to B8/15.



LP1K09004●●



LP1K09103●●

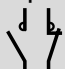
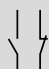


LP1K09105●●



LP4K0910●●●

3 and 4-pole contactors - Load control - 20 A in category AC-1 - DC coil ⁽¹⁾

Non-inductive loads Category AC-1 Maximum current at $\theta \leq 50^\circ\text{C}$	Number of poles 	Instantaneous auxiliary contacts 	Basic reference, to be completed by adding the voltage code ⁽²⁾⁽³⁾		
A					
Screw clamp connections					
20	3	–	1	–	LP1K0910●● or LP1K1210●●
	3	–	–	1	LP1K0901●● or LP1K1201●●
	4	–	–	–	LP1K09004●● or LP1K12004●●
	2	2	–	–	LP1K09008●●

Spring terminal connections ⁽⁴⁾

In the references selected above, insert a figure 3 before the voltage code.

Example: LP1K0910●● becomes LP1K09103●●.

Faston connectors, 1 x 6.35 or 2 x 2.8

In the references selected above, insert a figure 7 before the voltage code.

Example: LP1K0910●● becomes LP1K09107●●.

Solder pins for printed circuit boards

In the references selected above, insert a figure 5 before the voltage code.

Example: LP1K0910●● becomes LP1K09105●●.

3 or 4-pole 20 A / AC-1 - DC low consumption coil ⁽¹⁾

Compatible with programmable controller outputs.

Wide range coil (0.7...1.30 Uc), suppressor fitted as standard, consumption 1.8 W.

Screw clamp connections					
20	3	–	1	–	LP4K0910●●● or LP4K1210●●●
	3	–	–	1	LP4K0901●●● or LP4K1201●●●
	4	–	–	–	LP4K09004●●● or LP4K12004●●●
	2	2	–	–	LP4K09008●●●

Spring terminal connections

In the references selected above, insert a figure 3 before the voltage code.

Example: LP4K0910●● becomes LP4K09103●●.

Faston connectors, 1 x 6.35 or 2 x 2.8

In the references selected above, insert a figure 7 before the voltage code.

Example: LP4K0910●● becomes LP4K09107●●.

Solder pins for printed circuit boards

In the references selected above, insert a figure 5 before the voltage code.

Example: LP4K0910●● becomes LP4K09105●●.

⁽¹⁾ Coordination tables between 9 and 12 A ratings according to number of operating cycles, see AC-1 curve on page A5/114.

Standard control circuit voltages (for other voltages, please consult your Regional Sales office)

Coil voltage codes - DC (contactors LP1K: 0.8...1.15 Uc)

Volts $\overline{\text{---}}$	12	20	24 ⁽²⁾	36	48	60	72	100	110	125	155	174	200	220	230	240	250
Code	JD	ZD	BD	CD	ED	ND	SD	KD	FD	GD	PD	QD	LD	MD	MPD	MUD	UD

Coil with integral suppression device available: add 3 to the code required. Example: JD3.

Coil voltage codes - low consumption DC (contactors LP4K: 0.7...1.3 Uc)

Volts $\overline{\text{---}}$	12	20	24	48	72	110	120
Code	JW3	ZW3	BW3	EW3	SW3	FW3	GW3

Coil with integral suppression device fitted as standard, by bi-directional peak limiting diode.

⁽²⁾ For LP1K only, when connecting an electronic sensor or timer in series with the contactor coil, select a 20 V coil (\sim control circuit voltage code Z7, $\overline{\text{---}}$ control circuit voltage code ZD) so as to compensate for the incurred voltage drop.

⁽³⁾ Please check the availability of your variant in the index page B8/63. The SEARCH function of your viewer can be used.

⁽⁴⁾ For LC●K●●●●3 / LP●K●●●●3 with spring terminal, I_{th} max = 16 A.



Characteristics:
p. B8/80 to B8/82

Dimensions:
p. B8/86

Schemes:
p. B8/87



Click [HERE](#) for access to online contactor selector

Reversing contactor selection according to utilisation category, see pages A5/108 to A5/113 and A5/116 to A5/119. Integral mechanical interlock.

It is essential to link the contacts of the electrical interlock.

Pre-wired power circuit connections as standard on screw clamp versions.

Mounting on 35 mm rail or Ø4 screw fixing. Screws in the open "ready-to-tighten" position.

Add-on auxiliary contact blocks and accessories, see pages B8/13 to B8/15.

3-pole reversing contactors - Motor control 6 to 16 A in categories AC-3, AC-3e, AC-4 - AC coil

Standard power ratings of 3-phase motors 50/60 Hz in category AC-3/AC-3e

Rated operational current in category AC-3/AC-3e 440 V up to

Instantaneous auxiliary contacts per contactor

Basic reference, to be completed by adding the voltage code ⁽¹⁾⁽²⁾

220 V	380 V	440 V
230 V	415 V	690 V

kW	kW	kW	A
----	----	----	---

Screw clamp connections

kW	kW	kW	A	Instantaneous auxiliary contacts per contactor	Basic reference, to be completed by adding the voltage code ⁽¹⁾⁽²⁾
1.5	2.2	3	6	1 -	LC2K0610●●
				- 1	LC2K0601●●
2.2	4	4	9	1 -	LC2K0910●●
				- 1	LC2K0901●●
3	5.5	4 (> 440)	12	1 -	LC2K1210●●
		5.5 (440)		- 1	LC2K1201●●
4	7.5	4 (> 440)	16	1 -	LC2K1610●●
		5.5 (440)		- 1	LC2K1601●●

Spring terminal connections ⁽³⁾

For 6 to 12 A ratings only, in the references selected above, insert a figure 3 before the voltage code.

Example: LC2K0610●● becomes LC2K06103●●.

Faston connectors, 1 x 6.35 or 2 x 2.8

For 6 to 16 A ratings, in the references selected above, insert a figure 7 before the voltage code.

Example: LC2K0610●● becomes LC2K06107●●.

Solder pins for printed circuit boards

For 6 to 16 A ratings, in the references selected above, insert a figure 5 before the voltage code.

Example: LC2K0610●● becomes LC2K06105●●.

Standard control circuit voltages (for other voltages, please consult your Regional Sales office)

Coil voltage codes - AC ⁽⁴⁾

Reversing contactors LC2K (0.8...1.15 Uc) (0.85...1.1 Uc)

Volts	12	20	24 ⁽¹⁾	36	42	48	110	115	120	127	200/208	220/230	230	230/240
50/60 Hz	J7	Z7	B7	C7	D7	E7	F7	FE7	G7	FC7	L7	M7	P7	U7
Volts	256	277	380/400	400	400/415	440	480	500	575	600	660/690			
50/60 Hz	W7	UE7	Q7		V7	N7		R7	T7	S7	SC7	X7	Y7	

Up to and including 240 V, coil with integral suppression device available: add 2 to the code required. Example: J72.

(1) For mains supplies with a high level of interference (voltage surge > 800 V), use a suppressor module LA4KE1FC (50...129 V) or LA4KE1UG (130...250 V), see page B8/14.

(2) Please check the availability of your variant in the index page B8/63. The SEARCH function of your viewer can be used.

(3) For LC●K●●●●3 / LP●K●●●●3 with spring terminal, I_{th} max = 16 A.

(4) (0.8...1.15 Uc) for single voltage coil; (0.85...1.1 Uc) for dual voltage coil, example 200/208 V AC.

PB123764.tiff



LC2K0910●●

PB123765.eps



LC2K09105●●



Characteristics:
p. B8/80 to B8/83

Dimensions:
p. B8/86

Schemes:
p. B8/87



Click [HERE](#) for access
to online contactor selector

Reversing contactor selection according to utilisation category, see pages A5/108 to A5/113 and A5/116 to A5/119. Integral mechanical interlock.

It is essential to link the contacts of the electrical interlock.

Pre-wired power circuit connections as standard on screw clamp versions.

Mounting on 35 mm rail or Ø4 screw fixing.

Screws in the open "ready-to-tighten" position.

Add-on auxiliary contact blocks and accessories, see pages B8/13 to B8/15.

3-pole reversing contactors - Motor control 6 to 12 A in categories AC-3, AC-3e, AC-4 - DC coil

Standard power ratings of 3-phase motors 50-60 Hz in category AC-3/AC-3e				Rated operational current in category AC-3/AC-3e 440 V up to	Instantaneous auxiliary contacts per contactor	Basic reference, to be completed by adding the voltage code ^{(1) (2)}
220 V	380 V	440 V				
230 V	415 V	690 V				
kW	kW	kW	A			
Screw clamp connections						
1.5	2.2	3	6	1	–	LP2K0610●●
				–	1	LP2K0601●●
2.2	4	4	9	1	–	LP2K0910●●
				–	1	LP2K0901●●
3	5.5	4 (> 440)	12	1	–	LP2K1210●●
		5.5 (440)		–	1	LP2K1201●●

Spring terminal connections ⁽³⁾

In the references selected above, insert a figure 3 before the voltage code.

Example: LP2K0610●● becomes LP2K06103●●.

Faston connectors, 1 x 6.35 or 2 x 2.8

In the references selected above, insert a figure 7 before the voltage code.

Example: LC2K0610●● becomes LC2K06107●●.

Solder pins for printed circuit boards

For 6 to 16 A ratings, in the references selected above, insert a figure 5 before the voltage code.

Example: LC2K0610●● becomes LC2K06105●●.

3-pole low consumption reversing contactors

Compatible with programmable controller outputs.

Wide range coil (0.7...1.30 Uc), suppressor fitted as standard, consumption 1.8 W.

Screw clamp connections

1.5	2.2	3	6	1	–	LP5K0610●●
				–	1	LP5K0601●●
2.2	4	4	9	1	–	LP5K0910●●
				–	1	LP5K0901●●
3	5.5	4 (> 440)	12	1	–	LP5K1210●●
		5.5 (440)		–	1	LP5K1201●●

Spring terminal connections

In the references selected above, insert a figure 3 before the voltage code.

Example: LP5K0610●● becomes LP5K06103●●.

Faston connectors, 1 x 6.35 or 2 x 2.8

In the references selected above, insert a figure 7 before the voltage code.

Example: LP5K0610●● becomes LP5K06107●●.

Solder pins for printed circuit boards

In the references selected above, insert a figure 5 before the voltage code.

Example: LP5K0610●● becomes LP5K06105●●.

Standard control circuit voltages (for other voltages, please consult your Regional Sales office)

Coil voltage codes - DC

Reversing contactors LP2K (0.8...1.15 Uc)

Volts	12	20	24 ⁽¹⁾	36	48	60	72	100	110	125	155	174	200	220	230	240	250
Code	JD	ZD	BD	CD	ED	ND	SD	KD	FD	GD	PD	QD	LD	MD	MPD	MUD	UD

Coil with integral suppression device available: add 3 to the code required. Example: JD3.

Coil voltage codes - low consumption DC

Reversing contactors LP5K (0.7...1.3 Uc)

Volts	12	20	24	48	72	110	120
Code	JW3	ZW3	BW3	EW3	SW3	FW3	GW3

Coil with integral suppression device fitted as standard, by bi-directional peak limiting diode.

⁽¹⁾ For LP2K only, when connecting an electronic sensor or timer in series with the contactor coil, select a 20 V coil (~ control circuit voltage code Z7, --- control circuit voltage code ZD) so as to compensate for the incurred voltage drop.

⁽²⁾ Please check the availability of your variant in the index page B8/63. The SEARCH function of your viewer can be used.

⁽³⁾ For LC●K●●●●3 / LP●K●●●●3 with spring terminal, I_{th} max = 16 A.



Characteristics:
p. B8/80 to B8/83

Dimensions:
p. B8/86

Schemes:
p. B8/87



Click [HERE](#) for access to online contactor selector

Warning: reversing contactors LC2K0910●● and LC2K0901●● are pre-wired for reverse motor operation as standard.

Reversing contactor selection according to utilisation category, see pages A5/114 and A5/115. Integral mechanical interlock.

It is essential to link the contacts of the electrical interlock.

Mounting on 35 mm rail or Ø4 screw fixing.

Screws in the open "ready-to-tighten" position.

Add-on auxiliary contact blocks and accessories, see pages B8/13 to B8/15.



LC2K0910●●



LC2K09105●●

3 or 4-pole reversing contactors - Load control - 20 A in category AC-1 - AC coil ⁽¹⁾

Non-inductive loads Category AC-1 Maximum current at $\theta \leq 50^\circ\text{C}$	Number of poles	Instantaneous auxiliary contacts per contactor	Basic reference, to be completed by adding the voltage code ⁽²⁾⁽³⁾
			LC2K0910●● or LC2K1210●●
			LC2K0901●● or LC2K1201●●
			LC2K09004●● or LC2K12004●●

Spring terminal connections ⁽⁴⁾

In the references selected above, insert a figure 3 before the voltage code.

Example: **LC2K0910●●** becomes **LC2K09103●●**.

Faston connectors, 1 x 6.35 or 2 x 2.8

In the references selected above, insert a figure 7 before the voltage code.

Example: **LC2K0910●●** becomes **LC2K09107●●**.

Solder pins for printed circuit boards

In the references selected above, insert a figure 5 before the voltage code.

Example: **LC2K0910●●** becomes **LC2K09105●●**.

⁽¹⁾ Coordination tables between 9 and 12 A ratings according to number of operating cycles, see AC-1 curve on page A5/114.

Standard control circuit voltages (for other voltages, please consult your Regional Sales office)

Coil voltage codes - AC ⁽⁵⁾

Reversing contactors LC2K (0.8...1.15 U_c) (0.85...1.1 U_c)

Volts	12	20	24 ⁽²⁾	36	42	48	110	115	120	127	200/208	220/230	230	230/240
50/60 Hz	J7	Z7	B7	C7	D7	E7	F7	FE7	G7	FC7	L7	M7	P7	U7
Volts	256	277	380/400	400	400/415	440	480	500	575	600	660/690			
50/60 Hz	W7	UE7	Q7		V7	N7	R7	T7	S7	SC7	X7	Y7		

Up to and including 240 V, coil with integral suppression device available: add 2 to the code required. Example: **J72**.

⁽²⁾ For mains supplies with a high level of interference (voltage surge > 800 V), use a suppressor module **LA4KE1FC** (50...129 V) or **LA4KE1UG** (130...250 V), see page B8/14.

⁽³⁾ Please check the availability of your variant in the index page B8/63. The SEARCH function of your viewer can be used.

⁽⁴⁾ For **LC●K●●●●3 / LP●K●●●●3** with spring terminal, I_{th} max = 16 A.

⁽⁵⁾ (0.8...1.15 U_c) for single voltage coil; (0.85...1.1 U_c) for dual voltage coil, example 200/208 V AC.



Characteristics:
p. B8/80 to B8/83

Dimensions:
p. B8/86

Schemes:
p. B8/87



Click [HERE](#) for access
to online contactor selector

Warning: reversing contactors LP2K0910●● and LP2K0901●● are pre-wired for reverse motor operation as standard.

Reversing contactor selection according to utilisation category, see pages A5/114 and A5/115.
Integral mechanical interlock.

It is essential to link the contacts of the electrical interlock.

Mounting on 35 mm rail or Ø4 screw fixing.

Screws in the open "ready-to-tighten" position.

Add-on auxiliary contact blocks and accessories, see pages B8/13 to B8/15.

3 or 4-pole reversing contactors - Load control - 20 A in category AC-1 - DC coil ⁽¹⁾

Non-inductive loads Category AC-1 Maximum current at $\theta \leq 50^\circ\text{C}$	Number of poles	Instantaneous auxiliary contacts per contactor	Basic reference, to be completed by adding the voltage code ^{(2) (3)}
A			
Screw clamp connections			
20	3	1	LP2K0910●● or LP2K1210●●
	3	1	LP2K0901●● or LP2K1201●●
	4	–	LP2K09004●● or LP2K12004●●

Spring terminal connections ⁽⁴⁾

In the references selected above, insert a figure **3** before the voltage code.

Example: LP2K0910●● becomes LP2K09103●●.

Faston connectors, 1 x 6.35 or 2 x 2.8

In the references selected above, insert a figure **7** before the voltage code.

Example: LP2K0910●● becomes LP2K09107●●.

Solder pins for printed circuit boards

In the references selected above, insert a figure **5** before the voltage code.

Example: LP2K0910●● becomes LP2K09105●●.

3 or 4-pole reversing contactors - 20 A / AC-1 - DC low consumption coil ⁽¹⁾

Compatible with programmable controller outputs.

Wide range coil (0.7...1.30 Uc), suppressor fitted as standard, consumption 1.8 W.

Screw clamp connections			
20	3	1	LP5K0910●●● or LP5K1210●●●
	3	1	LP5K0901●●● or LP5K1201●●●
	4	–	LP5K09004●●● or LP5K12004●●●

Spring terminal connections

In the references selected above, insert a figure **3** before the voltage code.

Example: LP5K0910●● becomes LP5K09103●●.

Faston connectors, 1 x 6.35 or 2 x 2.8

In the references selected above, insert a figure **7** before the voltage code.

Example: LP5K0910●● becomes LP5K09107●●.

Solder pins for printed circuit boards

In the references selected above, insert a figure **5** before the voltage code.

Example: LP5K0910●● becomes LP5K09105●●.

⁽¹⁾ Coordination tables between 9 and 12 A ratings according to number of operating cycles, see AC-1 curve on page A5/114.

Standard control circuit voltages (for other voltages, please consult your Regional Sales office)

Coil voltage codes - DC (reversing contactors LP2K: 0.8...1.15 Uc)

Volts ---	12	20	24 ⁽²⁾	36	48	60	72	100	110	125	155	174	200	220	230	240	250
Code	JD	ZD	BD	CD	ED	ND	SD	KD	FD	GD	PD	QD	LD	MD	MPD	MUD	UD

Coil with integral suppression device available: add **3** to the code required. Example: **JD3**.

Coil voltage codes - low consumption DC (reversing contactors LP5K: 0.7...1.3 Uc)

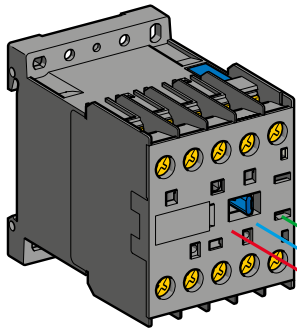
Volts ---	12	20	24	48	72	110	120
Code	JW3	ZW3	BW3	EW3	SW3	FW3	GW3

Coil with integral suppression device fitted as standard, by bi-directional peak limiting diode.

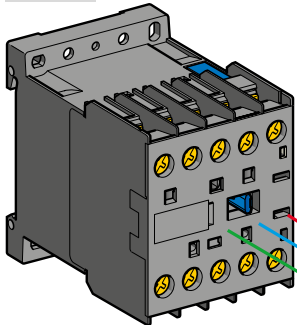
⁽²⁾ For LP2K only, when connecting an electronic sensor or timer in series with the contactor coil, select a 20 V coil (~ control circuit voltage code Z7, --- control circuit voltage code ZD) so as to compensate for the incurred voltage drop.

⁽³⁾ Please check the availability of your variant in the index page B8/63. The SEARCH function of your viewer can be used.

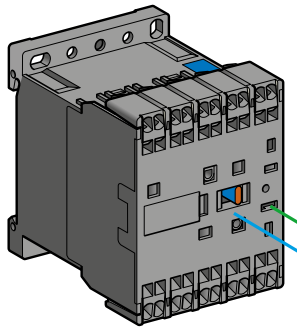
⁽⁴⁾ For LC●K●●●●3 / LP●K●●●●3 with spring terminal, lth max = 16 A.



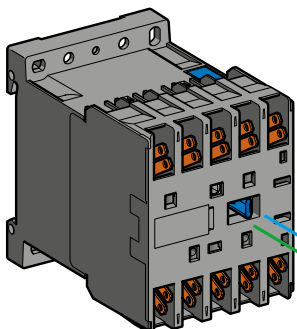
LC1, LC7, LP1K



LC1, LC7, LP1K



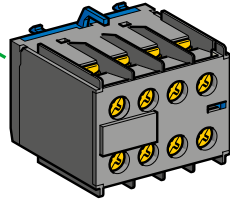
LC1, LP1K



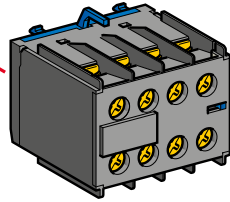
LC1, LC7, LP1K



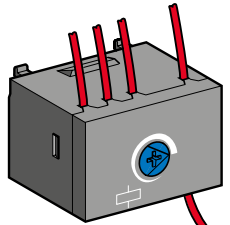
Contactor



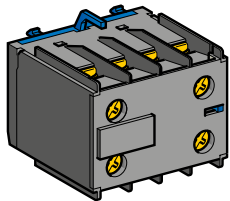
LA1KN●●M



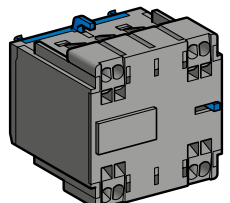
LA1KN●●



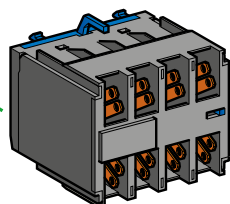
LA2KT2●



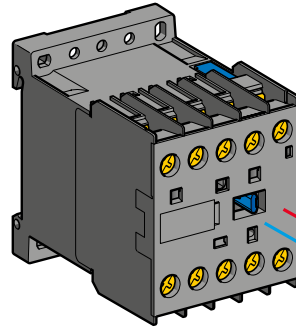
LA1KN●●P



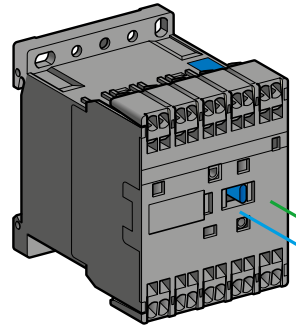
LA1KN●●3



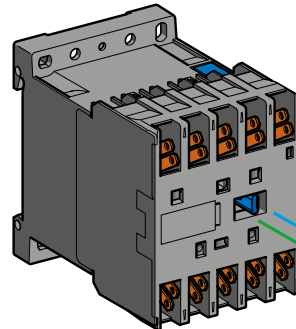
LA1KN●●7



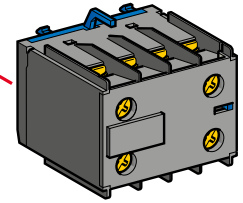
LP4



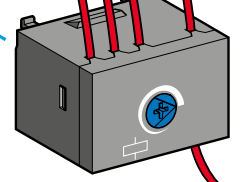
LP4



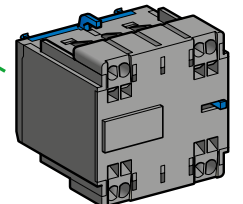
LP4



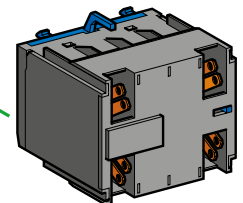
LA1KN●●



LA2KT2●



LA1KN●●3



LA1KN●●7

TeSys Control

K Contactors - Auxiliary Contact Blocks

Product references



Characteristics:
p. B8/83

Dimensions:
p. B8/84 and B8/86

Schemes:
p. B8/85 and B8/87



LA1KN22



LA1KN223



LA1KN407

Instantaneous auxiliary contact blocks

Recommended for standard applications. Clip-on front mounting, 1 block per contactor

Connection	For use on contactors	Composition	Reference
Screw clamp terminals	All products with screw clamp terminals	2 —	LA1KN20
		— 2	LA1KN02
		1 1	LA1KN11
	All products with screw clamp terminals except low consumption	4 —	LA1KN40
		3 1	LA1KN31
		2 2	LA1KN22
Spring terminals	All products with spring terminals	1 3	LA1KN13
		— 4	LA1KN04
		2 —	LA1KN203
	All products with spring terminals except low consumption	— 2	LA1KN023
		1 1	LA1KN113
		4 —	LA1KN403
Faston connectors, 1 x 6.35 or 2 x 2.8	All products with Faston connectors	3 1	LA1KN313
		2 2	LA1KN223
	All products with Faston connectors except low consumption	1 3	LA1KN133
		— 4	LA1KN043
Faston connectors, 1 x 6.35 or 2 x 2.8	All products with Faston connectors	2 —	LA1KN207
		4 —	LA1KN407
Faston connectors, 1 x 6.35 or 2 x 2.8	All products with Faston connectors except low consumption	3 1	LA1KN317
		— 4	LA1KN043

With terminal referencing to standard EN 50012. Clip-on front mounting, 1 block per contactor

Screw clamp terminals with referencing	All 3-pole + N/O products with screw clamp terminals except LP4 and LP5K12	— 2	LA1KN02M
		1 1	LA1KN11M
conforming to standard EN 50012	All 3-pole + N/O products with screw clamp terminals except LP4 or LP5K06, K09 and K12	3 1	LA1KN31M
		2 2	LA1KN22M

Electronic time delay auxiliary contact blocks

Relay output with common point changeover contact, \sim or --- 240 V, 2 A maximum.
Control voltage 0.85...1.1 Uc.
Maximum switching capacity 250 VA or 150 W.
Operating temperature -10...+60 °C.
Reset time: 1.5 s during the time delay period, 0.5 s after the time delay period.

Clip-on front mounting, 1 block per contactor

Voltage	Type	Timing range	Composition	Reference
\sim or --- 24...48	On-delay	1...30	1	LA2KT2E
\sim 110...240	On-delay	1...30	1	LA2KT2U

TeSys Control

K Contactors - Suppressor Modules

Product references



Characteristics:
p. B8/83

Dimensions:
p. B8/84 and B8/86

Schemes:
p. B8/85 and B8/87



LA4K●●●

PB123799_R.eps

References

Mounting and connection	Type	For voltages	Sold in lots of	Unit reference
Clip-on fixing on the front of contactors LC1 and LP1, with locating device. No tools required.	Varistor ⁽¹⁾	~ and ≍ 12...24 V	5	LA4KE1B
		~ and ≍ 32...48 V	5	LA4KE1E
		~ and ≍ 50...129 V	5	LA4KE1FC
		~ and ≍ 130...250 V	5	LA4KE1UG
Diode + Zener diode ⁽²⁾		≍ 12...24 V	5	LA4KC1B
		≍ 32...48 V	5	LA4KC1E
	RC ⁽³⁾	~ 110...250 V	5	LA4KA1U

(1) Protection provided by limiting the transient voltage to 2 Uc max.
Maximum reduction of transient voltage peaks.

Slight increase in drop-out time (1.1 to 1.5 times the normal time).

(2) No overvoltage or oscillating frequency.

Polarised component.

Slight increase in drop-out time (1.1 to 1.5 times the normal time).

(3) Protection by limiting the transient voltage to 3 Uc max. and limitation of the oscillating frequency.

Slight increase in drop-out time (1.2 to 2 times the normal time).

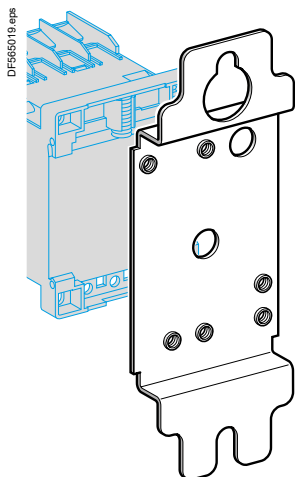
TeSys Control

K Contactors - Accessories

Product references



Dimensions:
p. B8/84 and B8/86



DX1AP25



LA9E01

Mounting and marking accessories

Description	Application		Sold in lots of	Unit reference
Mounting plates ⁽¹⁾	For fixing on 2 L rails	110/120 mm fixing centres	10	DX1AP25
Marker holder	Clip-on	Onto front of contactor	100	LA9D90

Connection accessories

Description	Application		Sold in lots of	Unit preference
Paralleling links	For 2 poles	With screw clamps	4	LA9E01
	For 4 poles	With screw clamps	2	LA9E02
Set of 6 power connections	For 3-pole reversing contactors for motor control	For contactors with screw clamp terminals	100	LA9K0969

(1) Order 1 mounting plate for fixing a contactor and 2 mounting plates for fixing a reversing contactor.

(2) Complete the reference by replacing the dot with the required character.



Control Panel Technical Guide:

Mounting and wiring accessories for TeSys K, Deca, F contactors. Star-delta, reverser, low-high speed control motor starters and changeover applications - Product references and details on all kits and wiring accessories.

> Ref. Document: CPTG011_EN



> Click on QR code to download

TeSys Control

Deca Advanced Contactors

Introduction

Deca Advanced, enriching Deca family

Deca conventional contactors 9 to 95 A, for motor control and other applications.

Deca Advanced delivers a consistent low consumption range of contactors from 9 A to 150 A, covering control voltage from 24 to 250 V, with same coils for AC and DC.



Electronically Controlled

TeSys Deca Advanced Contactors



When implemented with other Schneider Electric products*, Deca Advanced contactors are part of a comprehensive solution that is ideal for all types of industrial machines and processes.

Contactors



Deca Overload relay

By combining a Deca Advanced contactor with our new Deca electronic overload relay, you will have less heat generation, and further reduce energy consumption.

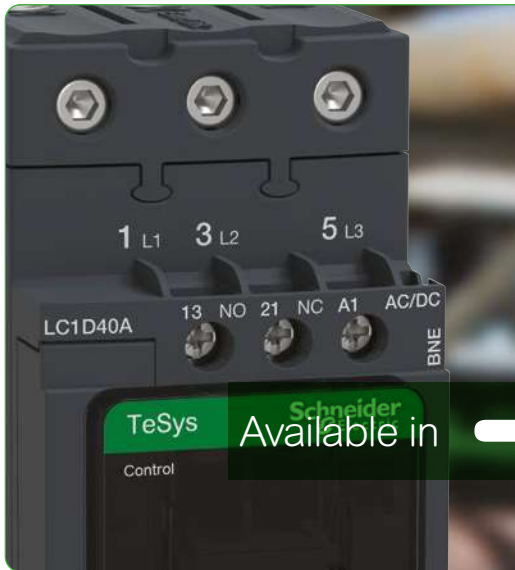


* such as PLC I/O type M580, M340, M221 or M241 or extended I/O type Advantys STB range, or in association with Deca electronic overload relays or Tera Motor management system.

TeSys Control

Deca Advanced Contactors

Introduction



Highly competitive coil consumption

Small changes can generate big savings. The new Deca Advanced contactor is equipped with an innovative electronic coil. These electronic-coil contactors require **up to 80 % less energy** than electro-mechanical contactors. This innovation results in concrete values: for example, large plants can noticeably reduce their energy bills and heat dissipation in cabinet.

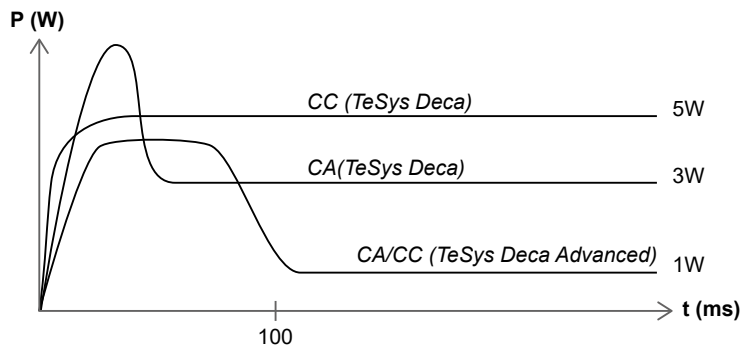
Available in



09-12-18 A 25-32-38 A 40-50-65-80 A 115-150 A

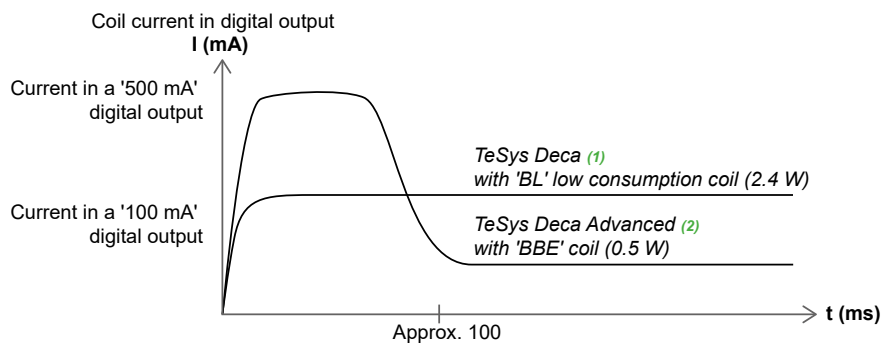
Coil currents comparison

Deca Advanced contactors (AC/DC coil) vs Deca contactors (AC, DC coils)



Deca Advanced brings a significant reduction of energy consumption.

Deca Advanced contactors ("BBE" coil) vs Deca contactors (low consumption "BL" coil)



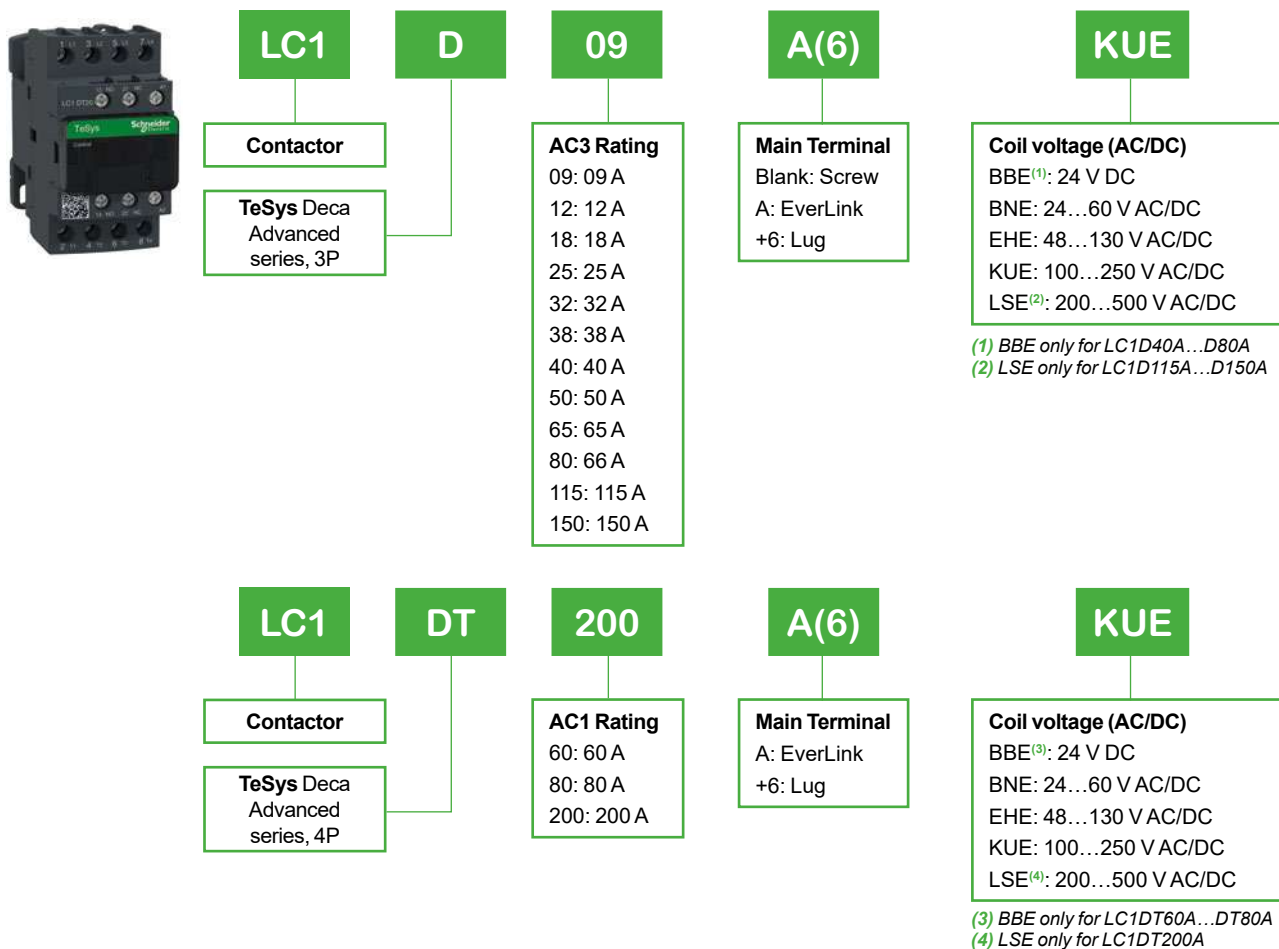
(1) Up to 38 A.
(2) 40 to 80 A.

Deca Advanced contactors are well adapted to direct control by PLC static outputs, from 40 to 80 A.

Contactors

Product reference - coding principle

> TeSys Deca Advanced Contactors



TeSys Control

Deca Advanced Contactors

Introduction

Reliability with efficiency and simplicity

TeSys Deca Advanced
One step further to a sustainable future

For decades, **TeSys** Deca has set the standard for reliable motor management, powering millions of motors and loads across more than 50 countries.

However, today's industries are facing new challenges: climate change, escalating energy costs, and constantly changing industrial standards. Our customers are under pressure to reduce operating costs, speed up engineering, and minimize complexity, all while adhering to stricter regulations.

TeSys Deca Advanced contactors are designed to meet these challenges head-on.



With new technologies and innovative architecture, this advanced series aims to simplify the customer journey from design to maintenance. Whether you're looking to streamline installation, increase operational efficiency, or boost reliability, **TeSys** Deca Advanced delivers.

In a world where efficiency and reliability are paramount, **TeSys** Deca Advanced stands out as a trusted partner for load management. Choose **TeSys** Deca Advanced to meet today's challenges and prepare for tomorrow's opportunities.

Key values and features



Easy selection

With only five wide-band coil references, the **TeSys** Deca Advanced contactors cover the entire voltage range from 24 to 500 V for both AC and DC applications. This streamlined selection process ensures you can quickly and easily find the right component for your needs, saving you time and reducing complexity in inventory management.



Compact & robust

The **TeSys** Deca Advanced contactors deliver top-tier performance, including robust durability and rigorous industrial environments withstand, within a compact footprint. This combination of performance and space-saving design allows for more flexibility in system layouts and applications.



Ready for digitalization

Designed for seamless integration, the **TeSys** Deca Advanced contactors offer BNE & BBE coil that can connect directly to a PLC without requiring additional interface relays for loads up to 80 A. This feature simplifies wiring, reduces installation time, leading to a more efficient system setup.



Superior Uptime

Reliability is a hallmark of the **TeSys** Deca Advanced series. The wide-band coil has high resistance to voltage surges which helps ensure high uptime, reducing the probability of unexpected downtime and associated costs.



More sustainability

The low-consumption coil in the **TeSys** Deca Advanced contactors uses up to 80% less energy compared to traditional electromechanical contactors. This significant reduction in energy usage not only contributes to lower operating costs but also supports sustainability goals by reducing your overall carbon footprint.

TeSys Control

Deca Advanced Contactors

Introduction



EverLink Connection ⁽¹⁾ for main power robust connection throughout product lifetime

Wiring slot for control cable guidance

Front face A1 - A2 control circuit terminal

Built-in 1 NO + 1 NC auxiliary contact block

Unique QR code providing quick access to complete product data

TeSys Deca Advanced contactors



9...18 A



25...38 A



40...80 A



115...150 A

Contactors

Power & switch

- 3 or 4 power poles
- 9 to 150 A (AC-3/AC-3e)
- 25 to 200 A (AC-1)
- Embedded 1 NO + 1 NC auxiliary contacts
- Patent EverLink main power terminals ⁽¹⁾

Efficient design

- Low consumption coils
- High rating within compact size
- Ready for IE3/IE4 high efficiency motor

Remote control

- 24 V DC ⁽²⁾, 24...60 V, 48...130 V, 100...250 V, 200...500 V ⁽³⁾ AC/DC coils
- PLC direct control available up to 80 A ⁽⁴⁾
- High resistance to voltage fluctuation
- Embedded surge suppressor

Standards & Certifications

- Multiple standards
- International certifications

⁽¹⁾ For LC1D40A...D150A.

⁽²⁾ BBE coil for LC1D40A...D80A for PLC direct input.

⁽³⁾ LSE coil for LC1D115A...D150A.

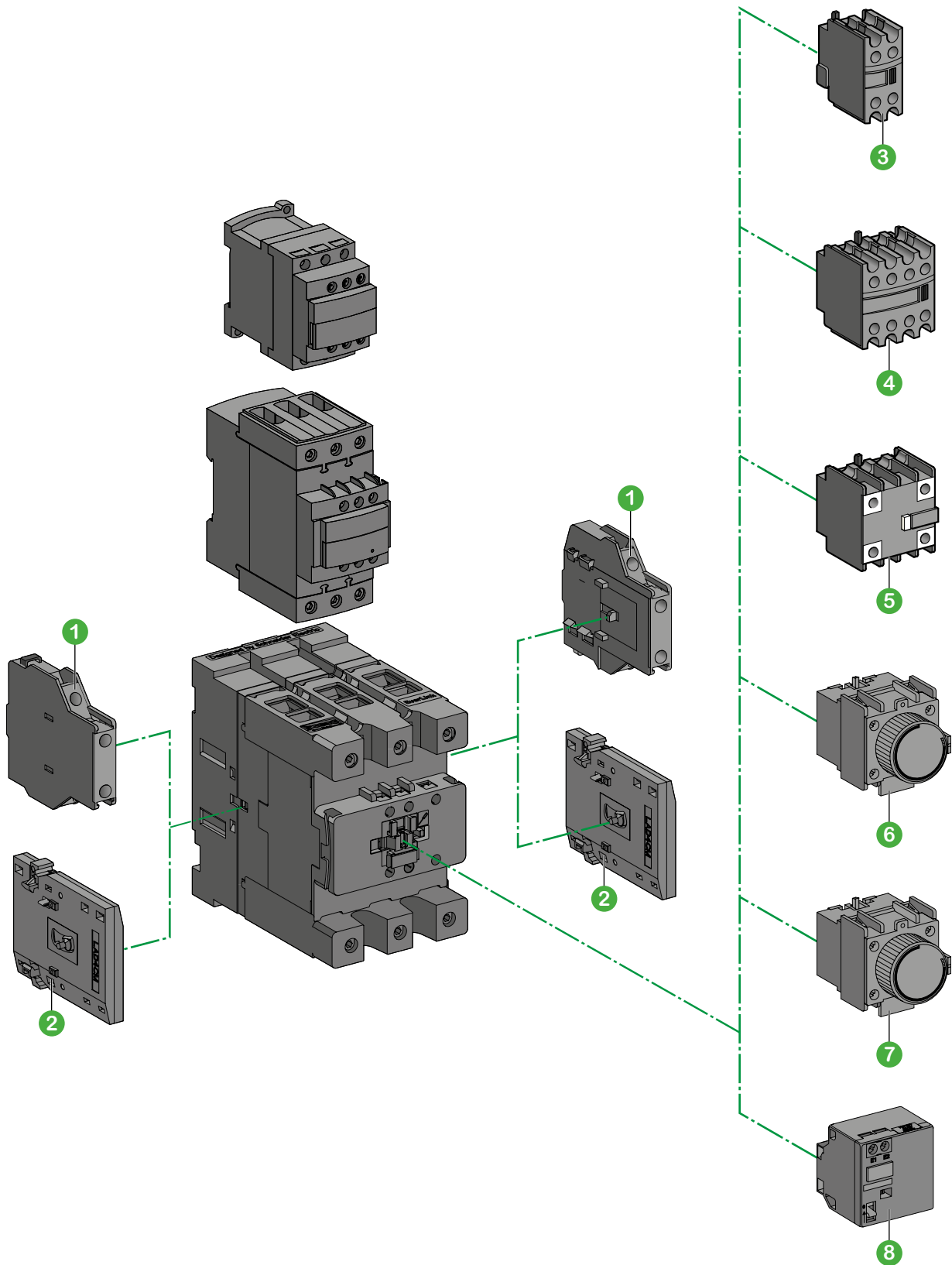
⁽⁴⁾ BNE coil for LC1D09...D38, BBE coil for LC1D40A...D80A.

TeSys Control

Deca Advanced Contactors

Introduction

DB433945.eps



- ① Side-mounted auxiliary block, please refer to pages B8/42 and B8/43.
- ② Mechanical interlock, please refer to page B8/52.
- ③ ④ ⑤ Front-mounted auxiliary block, please refer to pages B8/42 and B8/43.
- ⑥ ⑦ Time delay auxiliary contact blocks, please refer to page B8/45.
- ⑧ Mechanical latch blocks, please refer to page B8/45.

Contactors

TeSys Control

Deca Advanced Contactors

Product references

TeSys Deca Advanced 3-pole contactors - For motor control (9 to 150 A)



Motor ratings (kW) $\theta \leq 60^\circ\text{C}$												Reference ^{(1) (2)}				
IEC												3-pole				
AC-3						AC-3e										
230 V	400 V	415 V	440 V	500 V	690 V	230 V	400 V	415 V	440 V	500 V	690 V	24 V DC ⁽³⁾	24...60 V ⁽³⁾	48...130 V	100...250 V	200...500 V
kW	kW	kW	kW	kW	kW	kW	kW	kW	kW	kW	kW					
2.2	4	4	4	5.5	5.5	2.2	4	4	4	5.5	5.5		LC1D09BNE	LC1D09EHE	LC1D09KUE	
3	5.5	5.5	5.5	7.5	7.5	3	5.5	5.5	5.5	7.5	7.5		LC1D12BNE	LC1D12EHE	LC1D12KUE	
4	7.5	9	9	10	10	4	7.5	9	9	10	10		LC1D18BNE	LC1D18EHE	LC1D18KUE	
5.5	11	11	11	15	15	5.5	11	11	11	15	15		LC1D25BNE	LC1D25EHE	LC1D25KUE	
7.5	15	15	15	18.5	18.5	7.5	15	15	15	18.5	18.5		LC1D32BNE	LC1D32EHE	LC1D32KUE	
9	18.5	18.5	18.5	18.5	18.5	9	18.5	18.5	18.5	18.5	18.5		LC1D38BNE	LC1D38EHE	LC1D38KUE	
11	18.5	22	22	22	30	11	18.5	22	22	22	30	LC1D40A(6)BBE	LC1D40A(6)BNE	LC1D40A(6)EHE	LC1D40A(6)KUE	
15	22	25	30	30	33	15	22	25	30	30	33	LC1D50A(6)BBE	LC1D50A(6)BNE	LC1D50A(6)EHE	LC1D50A(6)KUE	
18.5	30	37	37	37	37	18.5	30	37	37	37	37	LC1D65A(6)BBE	LC1D65A(6)BNE	LC1D65A(6)EHE	LC1D65A(6)KUE	
22	37	37	37	37	37	22	37	37	37	37	37	LC1D80A(6)BBE	LC1D80A(6)BNE	LC1D80A(6)EHE	LC1D80A(6)KUE	
30	55	59	59	75	80	30	55	59	59	75	80		LC1D115A(6)BNE	LC1D115A(6)EHE	LC1D115A(6)KUE	LC1D115A(6)LSE
40	75	80	90	90	100	40	75	80	90	90	100		LC1D150A(6)BNE	LC1D150A(6)EHE	LC1D150A(6)KUE	LC1D150A(6)LSE

Motor ratings (kW) $\theta \leq 60^\circ\text{C}$							Motor ratings (HP)				Reference ^{(1) (2)}				
IEC							UL - 3-phase				3-pole				
AC-4															
230 V	400 V	415 V	440 V	500 V	690 V	200/208 V	230/240 V	460/480 V	575/600 V	24 V DC ⁽³⁾	24...60 V ⁽³⁾	48...130 V	100...250 V	200...500 V	
kW	kW	kW	kW	kW	kW	Hp	Hp	Hp	Hp						
2.2	4	4	4	5.5	5.5	2	2	5	7.5		LC1D09BNE	LC1D09EHE	LC1D09KUE		
3	5.5	5.5	5.5	7.5	7.5	3	3	7.5	10		LC1D12BNE	LC1D12EHE	LC1D12KUE		
4	7.5	9	9	10	10	5	5	10	15		LC1D18BNE	LC1D18EHE	LC1D18KUE		
5.5	11	11	11	15	15	7.5	7.5	15	20		LC1D25BNE	LC1D25EHE	LC1D25KUE		
7.5	15	15	15	18.5	18.5	10	10	20	25		LC1D32BNE	LC1D32EHE	LC1D32KUE		
9	18.5	18.5	18.5	18.5	18.5	10	10	20	25		LC1D38BNE	LC1D38EHE	LC1D38KUE		
11	18.5	22	22	22	30	10	10	30	30	LC1D40A(6)BBE	LC1D40A(6)BNE	LC1D40A(6)EHE	LC1D40A(6)KUE		
15	22	25	30	30	33	15	15	40	40	LC1D50A(6)BBE	LC1D50A(6)BNE	LC1D50A(6)EHE	LC1D50A(6)KUE		
18.5	30	37	37	37	37	20	20	40	50	LC1D65A(6)BBE	LC1D65A(6)BNE	LC1D65A(6)EHE	LC1D65A(6)KUE		
22	37	37	37	37	37	20	20	40	50	LC1D80A(6)BBE	LC1D80A(6)BNE	LC1D80A(6)EHE	LC1D80A(6)KUE		
30	55	55	55	63	65	30	40	75	100		LC1D115A(6)BNE	LC1D115A(6)EHE	LC1D115A(6)KUE	LC1D115A(6)LSE	
37	75	75	75	75	80	40	50	100	125		LC1D150A(6)BNE	LC1D150A(6)EHE	LC1D150A(6)KUE	LC1D150A(6)LSE	

- (1) For screw terminal type, no need of "6" in the commercial reference. For lug terminal type, add "6" in the commercial reference, before the coil code.
For example, **LC1D40ABBE** is for screw terminal, **LC1D40A6BBE** is for lug type terminal. For reverser contactors LC2D, please see pages B8/24 to B8/27.
- (2) For the highest ratings, LC1D115A & LC1D150A, please note a slight contactor width difference between the screw terminal and the lug terminal type (97 mm versus 99 mm between the 3-pole types and 132 mm versus 134 mm between the 4-pole types).
No assembly width difference (contactor + 2 auxiliary blocks) when using left and right side-mounted auxiliary blocks.
For more details, please refer to page B8/104.
- (3) LC1D40A...D80ABBE & LC1D09...D38BNE for PLC direct control.

TeSys Control

Deca Advanced Contactors

Product references

TeSys Deca Advanced 3-pole and 4-pole contactors - For load control (non-motor, 25 to 200 A)



Maximum current (A) ($\theta \leq 60^\circ\text{C}$)	General purpose continuous current (A)	Reference ^{(1) (2)}									
		3-pole					4-pole				
IEC	UL	24 V DC ⁽³⁾	24...60 V ⁽³⁾	48...130 V	100...250 V	200...500 V	24 V DC ⁽³⁾	24...60 V ⁽³⁾	48...130 V	100...250 V	200...500 V
AC-1											
25	25		LC1D09BNE	LC1D09EHE	LC1D09KUE						
25	25		LC1D12BNE	LC1D12EHE	LC1D12KUE						
32	32		LC1D18BNE	LC1D18EHE	LC1D18KUE						
40	40		LC1D25BNE	LC1D25EHE	LC1D25KUE						
50	50		LC1D32BNE	LC1D32EHE	LC1D32KUE						
50	50		LC1D38BNE	LC1D38EHE	LC1D38KUE						
60	60	LC1D40A(6)BBE	LC1D40A(6)BNE	LC1D40A(6)EHE	LC1D40A(6)KUE		LC1DT60A(6)BBE	LC1DT60A(6)BNE	LC1DT60A(6)EHE	LC1DT60A(6)KUE	
80	70	LC1D50A(6)BBE	LC1D50A(6)BNE	LC1D50A(6)EHE	LC1D50A(6)KUE						
80	80	LC1D65A(6)BBE	LC1D65A(6)BNE	LC1D65A(6)EHE	LC1D65A(6)KUE						
80	80	LC1D80A(6)BBE	LC1D80A(6)BNE	LC1D80A(6)EHE	LC1D80A(6)KUE		LC1DT80A(6)BBE	LC1DT80A(6)BNE	LC1DT80A(6)EHE	LC1DT80A(6)KUE	
200	160		LC1D115A(6)BNE	LC1D115A(6)EHE	LC1D115A(6)KUE	LC1D115A(6)LSE		LC1DT200A(6)BNE	LC1DT200A(6)EHE	LC1DT200A(6)KUE	LC1DT200A(6)LSE
200	160		LC1D150A(6)BNE	LC1D150A(6)EHE	LC1D150A(6)KUE	LC1D150A(6)LSE					

- (1) For screw terminal type, no need of "6" in the commercial reference. For lug terminal type, add "6" in the commercial reference, before the coil code.
For example, [LC1D40ABBE](#) is for screw terminal, [LC1D40A6BBE](#) is for lug type terminal. For reverser contactors LC2D, please see pages B8/24 to B8/27.
- (2) For the highest ratings, LC1D115A & LC1D150A, please note a slight contactor width difference between the screw terminal and the lug terminal type (97 mm versus 99 mm between the 3-pole types and 132 mm versus 134 mm between the 4-pole types).
No assembly width difference (contactor + 2 auxiliary blocks) when using left and right side-mounted auxiliary blocks.
For more details, please refer to page B8/104.
- (3) LC1D40A...D80ABBE & LC1DT60A...DT80ABBE & LC1D09...D38BNE for PLC direct control.

TeSys Control

Deca Advanced Contactors

Product references



Characteristics:
p. B8/88 to B8/95

Curves:
p. B8/98

Dimensions:
p. B8/103 to B8/106

Schemes:
p. B8/111 to B8/112



Click [HERE](#) for access to online contactor selector

LC1D09BNE.eps



LC1D09●●●

LC1D40ABNE.eps



LC1D40A●●●

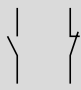
LC1D115A_LSE_image.eps



LC1D115A●●●

Deca Advanced contactors have a dark grey casing and a 3-character code voltage.

3-pole & 4-pole contactors - Motor control up to 75 kW/400 V - Category AC-3/AC-3e

Standard power ratings of 3-phase motors 50-60 Hz in category AC-3/AC-3e ($\theta \leq 60^\circ\text{C}$)						Rated operational current in AC-3/AC-3e 440 V up to	Instantaneous auxiliary contacts 	Basic reference, to be completed by adding the control voltage code ⁽¹⁾ Fixing ⁽²⁾	Weight
220 V 230 V	380 V 400 V	415 V	440 V	500 V	660 V 690 V				

kW	kW	kW	kW	kW	kW	A				kg
----	----	----	----	----	----	---	--	--	--	----

Connection by screw clamp terminals

2.2	4	4	4	5.5	5.5	9	1	1	LC1D09●●●	0.368
3	5.5	5.5	5.5	7.5	7.5	12	1	1	LC1D12●●●	0.373
4	7.5	9	9	10	10	18	1	1	LC1D18●●●	0.378
5.5	11	11	11	15	15	25	1	1	LC1D25●●●	0.433
7.5	15	15	15	18.5	18.5	32	1	1	LC1D32●●●	0.438
9	18.5	18.5	18.5	18.5	18.5	38	1	1	LC1D38●●●	0.442

Power connections by EverLink® BTR ⁽³⁾ screw connectors and control by screw clamp terminal

11	18.5	22	22	22	30	40	1	1	LC1D40A●●●, LC1DT60A●●● ⁽⁴⁾	0.992
15	22	25	30	30	33	50	1	1	LC1D50A●●●	0.997
18.5	30	37	37	37	37	65	1	1	LC1D65A●●●	1.002
22	37	37	37	37	37	66	1	1	LC1D80A●●●, LC1DT80A●●● ⁽⁴⁾	1.002
30	55	59	59	75	80	115	1	1	LC1D115A●●●, LC1DT200A●●●	2.600
40	75	80	90	90	100	150	1	1	LC1D150A●●●	2.600

Connection for lugs or bars

For LC1D40A to LC1D150A, insert a figure 6 before the voltage code.
Example: LC1D40A●●● becomes LC1D40A6●●●

Auxiliary contact blocks and add-on modules

see pages B8/43 to B8/51.

Control voltage codes

AC/DC or 24 V DC supply

Volts	24 (PLC control)	24...60	48...130	100...250	200...500
LC1D09 ...D38					
U 0.85...1.1 Uc	BNE ⁽⁵⁾	BNE	EHE	KUE	
LC1D40A ... D80A					
U 0.85...1.1 Uc	BBE ⁽⁶⁾	BNE	EHE	KUE	
LC1D115A...150A					
U 0.8...1.1 Uc		BNE	EHE	KUE	LSE

⁽¹⁾ Please check the availability of your variant in the index page B8/63. The SEARCH function of your viewer can be used.

⁽²⁾ LC1D09 to D80A: clip-on mounting on 35 mm \perp rail NSYS DR or screw fixing.

⁽³⁾ BTR screws: hexagon socket head. In accordance with local electrical wiring regulations, a size 4 insulated Allen key must be used (reference LADALLEN4, please refer to page B8/51).

⁽⁴⁾ AC-3 category for LC1DT60A & LC1DT80A. For AC-3e category please contact your technical support.

⁽⁵⁾ BNE: U 0.8...1.1 Uc (when DC).

⁽⁶⁾ BBE: U 0.8...1.2 Uc (DC only).

TeSys Control

Deca Advanced Contactors

Product references



Characteristics:
p. B8/88 to B8/95

Curves:
p. B8/98

Dimensions:
p. B8/103 to B8/106

Schemes:
p. B8/111 to B8/112



Click [HERE](#) for access
to online contactor selector

Deca Advanced contactors have a dark grey casing and a 3-character code voltage.

3-pole contactors - Load control from 25 to 200 A - Category AC-1

Non inductive loads maximum current ($\theta \leq 60^\circ\text{C}$) utilisation category AC-1	Number of poles	Instan-taneous auxiliary contacts		Partial reference, to be completed by adding the control voltage code ⁽¹⁾ Fixing ⁽²⁾	Weight
A					kg
Connection by screw clamp terminals					
25	3	1	1	LC1D09●●● or LC1D12●●●	0.368 0.373
32	3	1	1	LC1D18●●●	0.378
40	3	1	1	LC1D25●●●	0.433
50	3	1	1	LC1D32●●● or LC1D38●●●	0.438 0.442
Connection by EverLink®, BTR screw connectors ⁽³⁾					
60	3	1	1	LC1D40A●●●	0.992
80	3	1	1	LC1D50A●●● or LC1D65A●●● ⁽⁴⁾ or LC1D80A●●● ⁽⁴⁾	0.997 1.002 1.002
200	3	1	1	LC1D115A●●● or LC1D150A●●●	2.600 2.600

Connection for lugs or bars

For LC1D40A to LC1D150A, insert a figure 6 before the voltage code.
Example: LC1D40A●●● becomes LC1D40A6●●●

4-pole contactors

Connection by EverLink®, BTR ⁽³⁾ screw connectors

60	4	1	1	LC1DT60A●●●	1.230
80	4	1	1	LC1DT80A●●●	1.290
200	4	1	1	LC1DT200A●●●	3.300

Connection for lugs or bars

For LC1DT60A to LC1DT200A, insert a figure 6 before the voltage code.
Example: LC1DT60A●●● becomes LC1DT60A6●●●

Control voltage codes

AC/DC or 24 V DC supply

Volts	24 (PLC control)	24...60	48...130	100...250	200...500
LC1D09 ... D38					
U 0.85...1.1 Uc	BNE ⁽⁵⁾	BNE	EHE	KUE	
LC1D40 to LC1D80A, LC●DT60A to LC●DT80A					
U 0.85...1.1 Uc	BBE ⁽⁶⁾	BNE	EHE	KUE	
LC1D115A to 150A, LC1DT200A					
U 0.8...1.1 Uc		BNE	EHE	KUE	LSE

⁽¹⁾ Please check the availability of your variant in the index page B8/63. The SEARCH function of your viewer can be used.

⁽²⁾ LC1D09 to D80A, LC●DT60A and LC●DT80A: clip-on mounting on 35 mm \perp rail NSYS DR or screw fixing.

⁽³⁾ BTR screws: hexagon socket head. In accordance with local electrical wiring regulations,

a size 4 insulated Allen key must be used (reference LADALLEN4, please refer to page B8/51).

⁽⁴⁾ Coordination tables according to the number of operation cycles, consult online datasheets for values.

⁽⁵⁾ BNE: U 0.8...1.1 Uc (when DC).

⁽⁶⁾ BBE: U 0.8...1.2 Uc (DC only).



LC1D09●●●



LC1D40A●●●



LC1DT60A●●●



LC1DT200A●●●



Characteristics:
p. B8/88 to B8/95

Curves:
p. B8/98

Dimensions:
p. B8/103 to B8/106

Schemes:
p. B8/111 to B8/112



Click [HERE](#) for access to online contactor selector

LC1D09BNE.eps



LC1D09●●●

LC1D40ABNE.eps



LC1D40A●●●

LC1D115ALSE_image.eps



LC1D115A●●●

Deca Advanced contactors have a dark grey casing and a 3-character code voltage.

3-pole contactors conforming to UL and CSA standards (North American market) - 25 to 160 A

Standard power ratings of motors 50/60 Hz						Associated cable type 75 °C-Cu	Continuous current	Type of contactor required Partial reference, to be completed by adding the control voltage code ⁽¹⁾ Fixing, connection ⁽²⁾
Single-phase 1 Ø		3-phase 3 Ø						
115 V	230 V	200 V	230 V	460 V	575 V			
	240 V	208 V	240 V	480 V	600 V			
HP	HP	HP	HP	HP	HP		A	

Connection by screw clamp terminals

Terminal	1	2	3	4	5	6	Associated cable	Continuous current	Contactor code
1/3	1	2	2	5	7.5	7.5	AWG 18 - 10	25	LC1D09●●●
0.5	2	3	3	7.5	10	10	AWG 18 - 10	25	LC1D12●●●
1	3	5	5	10	15	15	AWG 18 - 8	32	LC1D18●●●
2	3	7.5	7.5	15	20	20	AWG 14 - 6	40	LC1D25●●●
2	5	10	10	20	25	25	AWG 14 - 6	50	LC1D32●●●

Power connections by EverLink® BTR ⁽³⁾ screw connectors

Terminal	1	2	3	4	5	6	Associated cable	Continuous current	Contactor code
3	5	10	10	30	30	30	AWG 16 - 2	60	LC1D40A●●●
3	7.5	15	15	40	40	40	AWG 16 - 2	70	LC1D50A●●●
5	10	20	20	40	50	50	AWG 16 - 2	80	LC1D65A●●●
5	10	20	20	40	50	50	AWG 16 - 2	80	LC1D80A●●●
		30	40	75	100	100	AWG 8 - 250kcmil	160	LC1D115A●●●
		40	50	100	125	125	AWG 8 - 250kcmil	160	LC1D150A●●●

Connection for lugs or bars

For LC1D40A to LC1D150A, insert a figure 6 before the voltage code.
Example: LC1D40A●●● becomes LC1D40A6●●●

Applications with High-Fault Short-Circuit Current ratings

High-fault short-circuit current ratings are: 100 kA at 600 V with Class J fuses and 85 kA (D09...D38), 100 kA (D40A...D65A, D115A...D150A) at 480 V and 50 kA at 600 V with circuit breakers.

Control voltage codes

AC/DC or 24 V DC supply

Volts	24 (PLC control)	24...60	48...130	100...250	200...500
LC1D09 ... D32					
U 0.85...1.1 Uc	BNE ⁽⁴⁾	BNE	EHE	KUE	
LC1D40A ... D80A					
U 0.85...1.1 Uc	BBE ⁽⁵⁾	BNE	EHE	KUE	
LC1D115A to 150A					
U 0.8...1.1 Uc		BNE	EHE	KUE	LSE

⁽¹⁾ Please check the availability of your variant in the index page B8/63. The SEARCH function of your viewer can be used.

⁽²⁾ LC1D09 to D80: clip-on mounting on 35 mm rail NSYSDF or screw fixing.

⁽³⁾ BTR screws: hexagon socket head. In accordance with local electrical wiring regulations, a size 4 insulated Allen key must be used (reference LADALLEN4, please refer to page B8/51).

⁽⁴⁾ BNE: U 0.8...1.1 Uc (when DC).

⁽⁵⁾ BBE: U 0.8...1.2 Uc (DC only).

Deca Advanced contactors - Coordination with PLC output modules (static/relay/triac)

Selection of PLC coordinated contactors

Laboratory tests have been carried out in order to validate trouble free contactor closings and openings with different PLC output modules.

The coil must be defined according to the contactor rating range and output module. See selection table below.

The PLC your are using				>>>	Compatible contactors ⁽¹⁾	Coil code
PLC type	Output type	Output I (A)	Output module commercial reference			
M221 / M241 / M251	Static output: 24 V DC	0.5	TM3DQ8●●● and Q16●●● (T, TG, U, UG)	>>>	LC1D09●● to LC1D38●●, LC1D40A●●● to LC1D80A, LC1DT60A●●● to LC1DT80A●●●	BL, BNE BBE
		0.3 (sealed) 0.8 (inrush)	TM3XTYS4	>>>	LC1D40A●●● to LC1D80A, LC1DT60A●●● to LC1DT80A●●●	BBE, BD, BNE
		0.1	TM3DQ16●● and Q32●● (TK, UK)	>>>	LC1D09●● to LC1D38●●	BL
	Relay output: 24 V DC / 230 V AC	2	TM3DQ8 and DQ16 (R, RG), TM3DM8 and DM24 (R, RG)	>>>	LC1D09●● to LC1D38●●, LC1D40A●●● to LC1D80A, LC1DT60A●●● to LC1DT80A●●●	Code of any DC coil up to 24 V or any AC coil up to 230 V
M340 / M580	Static output: 24 V DC	0.5	BMXDDO1602 and DM16022	>>>	LC1D09●● to LC1D38●● LC1D40A●●● to LC1D80A, LC1DT60A●●● to LC1DT80A●●●	BL, BNE BBE
		0.1	BMXDDO3202, BMXDDM3202K, BMXDDO6402K	>>>	LC1D09●● to LC1D38●●	BL
	Relay output: 24 V DC / 230 V AC	2	BMXDRA0815 and DM16025	>>>	LC1D09●● to LC1D38●●, LC1D40A●●● to LC1D80A, LC1DT60A●●● to LC1DT80A●●●	Code of any DC coil up to 24 V or any AC coil up to 230 V
	Triac output: 230 V AC	0.6	BMXDAO1605	>>>	LC1D09●● to LC1D38●●, LC1D40A●●● to LC1D80A●●●, LC1DT60A●●● to LC1DT80A●●●	Code of any AC coil up to 230 V (P7 code = 230 V)
ADVANTYS	Static output: 24 V DC	0.5	STBDDO3200K	>>>	LC1D09●● to LC1D38●● LC1D40A●●● to LC1D80A, LC1DT60A●●● to LC1DT80A●●●	BL, BNE BBE
	Triac output: 230 V AC	2	STBDAO8210K	>>>	LC1D09●● to LC1D38●●, LC1D40A●●● to LC1D80A, LC1DT60A●●● to LC1DT80A●●●	Code of any AC coil up to 230 V (P7 code = 230 V AC)

Coils consumption characteristics

Coil type	Uc DC - min -max	Average consumption at UC DC / 20 °C	
		Inrush	Sealed
BL	24 V - 0.8 Uc to 1.1 Uc	2.4 W - 2.4 VA	2.4 W - 2.4 VA
BNE		14 W - 14 VA	0.7 W - 0.7 VA
BBE		11 W - 12 VA	0.5 W - 0.5 VA

⁽¹⁾ Replace dot by coil code. Ex LC1D09●● becomes LC1D09BL.

TeSys Control

Deca Contactors

Product references



Characteristics:
p. B8/88 to B8/95

Dimensions:
p. B8/107 to B8/106

Schemes:
p. B8/111 to B8/112



Click [HERE](#) for access
to online contactor selector



LC1D09●●



LC1D25●●



LC1D80A●●



LC1D95●●

3-pole contactors - Motor control up to 45 kW at 400 V, in category AC-3/AC-3e

Standard power ratings of 3-phase motors 50-60 Hz in category AC-3/AC-3e ($\theta \leq 60^\circ\text{C}$)								Rated operational current in AC-3/AC-3e 440 V up to	Instantaneous auxiliary contacts	Basic reference, to be completed by adding the control voltage code ⁽¹⁾ Fixing ⁽²⁾	Weight ⁽³⁾ kg
220 V	380 V	415 V	440 V	500 V	660 V	1000 V					
230 V	400 V				690 V						
kW	kW	kW	kW	kW	kW	kW	A				
Connection by screw clamp terminals											
2.2	4	4	4	5.5	5.5	—	9	1	1	LC1D09●●	0.320
3	5.5	5.5	5.5	7.5	7.5	—	12	1	1	LC1D12●●	0.325
4	7.5	9	9	10	10	—	18	1	1	LC1D18●●	0.330
5.5	11	11	11	15	15	—	25	1	1	LC1D25●●	0.370
7.5	15	15	15	18.5	18.5	—	32	1	1	LC1D32●●	0.375
9	18.5	18.5	18.5	18.5	18.5	—	38	1	1	LC1D38●●	0.380
Power connections by EverLink® BTR screw connectors ⁽⁴⁾ and control by screw clamp terminal											
11	18.5	22	22	22	30	—	40	1	1	LC1D40A●●	0.850
15	22	25	30	30	33	—	50	1	1	LC1D50A●●	0.855
18.5	30	37	37	37	37	—	65	1	1	LC1D65A●●	0.860
22	37	37	37	37	37	—	66	1	1	LC1D80A●●	0.860
Connection by screw clamp terminals or connectors											
22	37	45	45	55	45	45	80	1	1	LC1D80●●	1.590
25	45	45	45	55	45	45	95	1	1	LC1D95●●	1.610
Connection by lugs or bars											

In the references selected above, insert a figure **6** before the voltage code.

Example: **LC1D09●●** becomes **LC1D096●●**.

Separate components

Auxiliary contact blocks and add-on modules: see pages B8/43 to B8/51.

Standard control circuit voltages (for other voltages, please consult your Regional Sales Office)

AC supply

Volts	24	42	48	110	115	220	230	240	380	400	415	440	500
LC1D09...D95													
50/60 Hz	B7	D7	E7	F7	FE7	M7	P7	U7	Q7	V7	N7	R7	S7
LC1D09...D65 (not available with "connection for lugs or bars")													
50 Hz	B5	D5	E5				P5						
LC1D80...D95													
50 Hz	B5	D5	E5	F5	FE5	M5	P5	U5	Q5	V5	N5	R5	S5
60 Hz	B6	—	E6	F6	—	M6	—	U6	Q6	—	—	R6	—

DC supply

Volts	12	24	36	48	60	72	110	125	220	250	440
LC1D09...D38 (coils with integral suppression device fitted as standard, by bi-directional peak limiting diode)											
U 0.7...1.25 Uc	JD	BD	CD	ED	ND	SD	FD	GD	MD	UD	RD
LC1D40A...D65A (coils with integral suppression device fitted as standard, by bi-directional peak limiting diode)											
U 0.75...1.25 Uc	JD	(5)	(5)	(5)	(5)	(5)	(5)	(5)	(5)	(5)	RD
LC1D80...D95											
U 0.85...1.1 Uc	JD	BD	CD	ED	ND	SD	FD	GD	MD	UD	RD
U 0.75...1.2 Uc	JW	BW	CW	EW	—	SW	FW	—	MW	—	—

Low consumption DC (for low consumption AC/DC: Deca Advanced contactors, page B8/24)

Volts	5	12	20	24	48	110	220	250
LC1D09...D38 (coils with integral suppression device fitted as standard, by bi-directional peak limiting diode)								
U 0.8...1.25 Uc	AL	JL	ZL	BL	EL	FL	ML	UL

For other voltages between 5 and 690 V, see pages B8/55 to B8/57.

(1) Please check the availability of your variant in the index page B8/63. The SEARCH function of your viewer can be used.

(2) LC1D09 to D80A: clip-on mounting on 35 mm rail NSYS DR or screw fixing.

LC1D80 to D95: clip-on mounting on 35 mm rail NSYS DR or 75 mm rail AM1DL or screw fixing.

LC1D80 to D95: clip-on mounting on 75 mm rail AM1DL or screw fixing.

(3) The weights indicated are for contactors with AC control circuit. For DC or low consumption control circuit, add 0.160 kg from LC1D09 to D38, 0.075 kg from LC1D40A to D80A and 1 kg for LC1D80 and D95.

(4) BTR screws: hexagon socket head. In accordance with local electrical wiring regulations, a size 4 insulated Allen key must be used (reference LADALLEN4, see page B8/51).

(5) For these coil voltages, choose from Deca Advanced contactors. Same product ref. radical, just add BBE coil voltage code for 24 V DC, BNE for 24-60V AC/DC, EHE for 48-130 V AC/DC, KUE for 100-250 V AC/DC. Example: **LC1D40ABBE**.

TeSys Control

Deca Contactors

Product references



Characteristics:
p. B8/88 to B8/95

Dimensions:
p. B8/107 to B8/106

Schemes:
p. B8/111 to B8/112



Click [HERE](#) for access
to online contactor selector

PB121713.MI



LC1D123●●

PB121722.ePS



LC1D80A3●●

3-pole contactors - Motor control up to 30 kW at 400 V, in category AC-3/AC-3e

Standard power ratings of 3-phase motors 50-60 Hz in category AC-3/AC-3e ($\theta \leq 60^\circ\text{C}$)							Rated operational current in AC-3/AC-3e 440 V up to	Instantaneous auxiliary contacts	Basic reference, to be completed by adding the control voltage code ⁽¹⁾ Fixing ⁽²⁾
220 V	380 V	415 V	440 V	500 V	660 V	1000 V			
230 V	400 V				690 V				
kW	kW	kW	kW	kW	kW	kW	A		

Power and control connections by spring terminals

2.2	4	4	4	5.5	5.5	9	1	1	LC1D093●●
3	5.5	5.5	5.5	7.5	7.5	12	1	1	LC1D123●●
4	7.5	9	9	10	10	18	1	1	LC1D183●●
5.5	11	11	11	15	15	25	1	1	LC1D253●●
7.5	11	11	11	15	15	32 ⁽³⁾	1	1	LC1D323●●

Power connections by EverLink® BTR screw connectors ⁽⁴⁾ and control by spring terminals

11	18.5	22	22	22	30	40	1	1	LC1D40A3●●
15	22	25	30	30	33	50	1	1	LC1D50A3●●
18.5	30	37	37	37	37	65	1	1	LC1D65A3●●
22	37	37	37	37	37	66	1	1	LC1D80A3●●

Connection by Faston connectors

These contactors are fitted with Faston connectors: 2 x 6.35 mm on the power poles and 1 x 6.35 mm on the coil and auxiliary terminals.

For contactors LC1D09 and LC1D12 only, replace the figure **3** with a **9** in the references selected above.

Example: LC1D093●● becomes LC1D099●●.

Separate components

Auxiliary contact blocks and add-on modules: see pages B8/43 to B8/51.

Standard control circuit voltages (for other voltages, please consult your Regional Sales Office)

AC supply

Volts	24	42	48	110	115	220	230	240	380	400	415	440
-------	----	----	----	-----	-----	-----	-----	-----	-----	-----	-----	-----

LC1D09...D80A

50/60 Hz	B7	D7	E7	F7	FE7	M7	P7	U7	Q7	V7	N7	R7
----------	----	----	----	----	-----	----	----	----	----	----	----	----

DC supply

Volts	12	24	36	48	60	72	110	125	220	250	440
-------	----	----	----	----	----	----	-----	-----	-----	-----	-----

LC1D09...D32 (coils with integral suppression device fitted as standard, by bi-directional peak limiting diode)

U 0.7...1.25 U _c	JD	BD	CD	ED	ND	SD	FD	GD	MD	UD	RD
-----------------------------	----	----	----	----	----	----	----	----	----	----	----

LC1D40A...D65A (coils with integral suppression device fitted as standard, by bi-directional peak limiting diode)

U 0.75...1.25 U _c	JD	BD	CD	ED	ND	SD	FD	GD	MD	UD	RD
------------------------------	----	----	----	----	----	----	----	----	----	----	----

Low consumption

Volts ---	5	12	20	24	48	110	220	250
-----------	---	----	----	----	----	-----	-----	-----

LC1D09...D32 (coils with integral suppression device fitted as standard, by bi-directional peak limiting diode)

U 0.8...1.25 U _c	AL	JL	ZL	BL	EL	FL	ML	UL
-----------------------------	----	----	----	----	----	----	----	----

For other voltages between 5 and 690 V, see pages B8/55 to B8/57.

⁽¹⁾ Please check the availability of your variant in the index page B8/63. The SEARCH function of your viewer can be used.

⁽²⁾ LC1D09 to D32: clip-on mounting on 35 mm \perp rail NSYSR or screw fixing.

⁽³⁾ Must be wired with 2 x 4 mm² cables in parallel on the upstream side. On the downstream side, outgoing terminal block LAD331 may be used (Quickfit technology, see page B1/18). When wired with a single cable, the product is limited to 25 A (11 kW/400 V motors).

⁽⁴⁾ BTR screws: hexagon socket head. In accordance with local electrical wiring regulations, a size 4 insulated Allen key must be used (reference LADALLEN4, see page B8/51).

TeSys Control

Deca Contactors

Product references



Characteristics:
p. B8/88 to B8/95

Dimensions:
p. B8/107 to B8/106

Schemes:
p. B8/111 to B8/112



Click [HERE](#) for access
to online contactor selector



LC1D09●●



LC1D80A●●

3-pole contactors - Load control from 25 to 125 A in category AC-1

Non inductive loads maximum current ($\theta \leq 60^\circ\text{C}$) utilisation category AC-1	Number of poles	Instantaneous auxiliary contacts		Basic reference, to be completed by adding the control voltage code ⁽¹⁾	Weight ⁽³⁾
				Fixing ⁽²⁾	
A					kg
Connection by screw clamp terminals					
25	3	1	1	LC1D09●● or LC1D12●●	0.320 0.325
32	3	1	1	LC1D18●●	0.330
40	3	1	1	LC1D25●●	0.370
50	3	1	1	LC1D32●● or LC1D38●●	0.375 0.380
Connection by EverLink®, BTR screw connectors ⁽⁴⁾					
60	3	1	1	LC1D40A●●	0.850
80	3	1	1	LC1D50A●● or LC1D65A●● ⁽⁵⁾ or LC1D80A●● ⁽⁵⁾	0.855 0.860 0.860
Connection by screw clamp terminals or connectors					
125	3	1	1	LC1D80●● or LC1D95●● ⁽⁵⁾	1.590 1.610

3-pole contactors for connection by lugs

In the references selected above, insert a figure **6** before the voltage code.
Example: LC1D09●● becomes LC1D096●●.

Standard control circuit voltages

(for other voltages, please consult your Regional Sales Office)

AC supply

Volts	24	42	48	110	115	220	230	240	380	400	415	440	500
-------	----	----	----	-----	-----	-----	-----	-----	-----	-----	-----	-----	-----

LC1D09...D95

50/60 Hz	B7	D7	E7	F7	FE7	M7	P7	U7	Q7	V7	N7	R7	S7
----------	----	----	----	----	-----	----	----	----	----	----	----	----	----

LC1D09...D65 (not available with "connection for lugs or bars")

50 Hz	B5	D5	E5										
-------	----	----	----	--	--	--	--	--	--	--	--	--	--

LC1D80 and D95

50 Hz	B5	D5	E5	F5	FE5	M5	P5	U5	Q5	V5	N5	R5	S5
-------	----	----	----	----	-----	----	----	----	----	----	----	----	----

60 Hz	B6	-	E6	F6	-	M6	-	U6	Q6	-	-	R6	-
-------	----	---	----	----	---	----	---	----	----	---	---	----	---

DC supply

Volts	12	24	36	48	60	72	110	125	220	250	440
-------	----	----	----	----	----	----	-----	-----	-----	-----	-----

LC1D09...D38 (coils with integral suppression device fitted as standard, by bi-directional peak limiting diode)

U 0.7...1.25 Uc	JD	BD	CD	ED	ND	SD	FD	GD	MD	UD	RD
-----------------	----	----	----	----	----	----	----	----	----	----	----

LC1D40A...D65A (coils with integral suppression device fitted as standard, by bi-directional peak limiting diode)

U 0.75...1.25 Uc	JD	⁽⁶⁾	⁽⁶⁾	⁽⁶⁾	⁽⁶⁾	⁽⁶⁾	⁽⁶⁾	⁽⁶⁾	⁽⁶⁾	⁽⁶⁾	RD
------------------	----	----------------	----------------	----------------	----------------	----------------	----------------	----------------	----------------	----------------	----

LC1 or LP1D80 and D95

U 0.85...1.1 Uc	JD	BD	CD	ED	ND	SD	FD	GD	MD	UD	RD
-----------------	----	----	----	----	----	----	----	----	----	----	----

U 0.75...1.2 Uc	JW	BW	CW	EW	-	SW	FW	-	MW	-	-
-----------------	----	----	----	----	---	----	----	---	----	---	---

Low consumption

Volts DC	5	12	20	24	48	110	220	250
----------	---	----	----	----	----	-----	-----	-----

LC1D09...D38 (coils with integral suppression device fitted as standard, by bi-directional peak limiting diode)

U 0.8...1.25 Uc	AL	JL	ZL	BL	EL	FL	ML	UL
-----------------	----	----	----	----	----	----	----	----

For other voltages between 5 and 690 V, see pages B8/55 to B8/57.

- Please check the availability of your variant in the index page B8/63. The SEARCH function of your viewer can be used.
- LC1D09 to D80A: clip-on mounting on 35 mm rail NSYSR or screw fixing.
LC1D80 and D95: clip-on mounting on 35 mm rail NSYSR or 75 mm rail AM1DL or screw fixing.
LC1 or LP1D80 to D95: clip-on mounting on 75 mm rail AM1DL or screw fixing.
- The weights indicated are for contactors with AC control circuit. For DC or low consumption control circuit, add 0.160 kg from LC1D09 to D38, 0.075 kg from LC1D40A to D80A and 1 kg for LC1D80 and D95.
- BTR screws: hexagon socket head. In accordance with local electrical wiring regulations, a size 4 insulated Allen key must be used (reference LADALLEN4, see page B8/51).
- Coordination tables according to the number of operating cycles, see AC-1 curve, page page A5/114.
- For these coil voltages, choose from Deca Advanced contactors. Same product ref. radical, just add BBE coil voltage code for 24 V DC, BNE for 24-60 V AC/DC, EHE for 48-130 V AC/DC, KUE for 100-250 V AC/DC. Example: LC1D40ABBE.

TeSys Control

Deca Contactors

Product references



Characteristics:
p. B8/88 to B8/95

Dimensions:
p. B8/107 to B8/106

Schemes:
p. B8/111 to B8/112



Click [HERE](#) for access
to online contactor selector

PB12/173.0r



LC1D123●●

PB12/173.0ps



LC1D80A3●●

3-pole contactors - Load control from 16 to 80 A in category AC-1

Non inductive loads maximum current ($\theta \leq 60^\circ\text{C}$) utilisation category AC-1	Number of poles	Instantaneous auxiliary contacts	Basic reference, to be completed by adding the control voltage code ⁽¹⁾ Fixing ⁽²⁾	Weight ⁽³⁾

A				kg
Connection by spring terminals				
16	3	1	1	LC1D093●● ⁽⁴⁾ 0.320 or LC1D123●● ⁽⁴⁾ 0.325
25	3	1	1	LC1D183●● ⁽⁵⁾ 0.335 or LC1D253●● ⁽⁶⁾ 0.325 or LC1D323●● ⁽⁶⁾ 0.325

Power connections by EverLink® BTR screw connectors ⁽⁷⁾ and control by spring terminals				
60	3	1	1	LC1D40A3●● 0.850
80	3	1	1	LC1D50A3●● ⁽⁸⁾ 0.855 or LC1D65A3●● ⁽⁸⁾ 0.860 or LC1D80A3●● ⁽⁸⁾ 0.860

3-pole contactors for connection by Faston connectors

These contactors are fitted with Faston connectors: 2 x 6.35 mm on the power poles and 1 x 6.35 mm on the coil terminals. For contactors LC1D09 and LC1D12 only, in the references selected from the previous page, insert a figure **9** before the voltage code. Example: **LC1D09●●** becomes **LC1D099●●**.

Separate components

Auxiliary contact blocks and add-on modules: see pages B8/43 to B8/51.

Standard control circuit voltages (for other voltages, please consult your Regional Sales Office)

AC supply													
Volts AC	24	42	48	110	115	220	230	240	380	400	415	500	
LC1D09...D80A													
50/60 Hz	B7	D7	E7	F7	FE7	M7	P7	U7	Q7	V7	N7	R7	S7
DC supply													
Volts DC	12	24	36	48	60	72	110	125	220	250	440		
LC1D09...D32 (coils with integral suppression device fitted as standard, by bi-directional peak limiting diode)													
U 0.7...1.25 Uc	JD	BD	CD	ED	ND	SD	FD	GD	MD	UD	RD		
LC1D40A...D65A (coils with integral suppression device fitted as standard, by bi-directional peak limiting diode)													
U 0.75...1.25 Uc	JD	BD	CD	ED	ND	SD	FD	GD	MD	UD	RD		
Low consumption													
Volts DC	5	12	20	24	48	110	220	250					
LC1D09...D32 (coils with integral suppression device fitted as standard, by bi-directional peak limiting diode)													
U 0.8...1.25 Uc	AL	JL	ZL	BL	EL	FL	ML	UL					

For other voltages between 5 and 690 V, see pages B8/55 to B8/57.

⁽¹⁾ Please check the availability of your variant in the index page B8/63. The SEARCH function of your viewer can be used.

⁽²⁾ **LC1D09** to **D80A**: clip-on mounting on 35 mm rail **NSYSR** or screw fixing.

⁽³⁾ The weights indicated are for contactors with AC control circuit. For DC or low consumption control circuit, add 0.160 kg from **LC1D09** to **D38** and 0.075 kg from **LC1D40A** to **D80A**.

⁽⁴⁾ 20 A with 2 x 2.5 mm² cables connected in parallel.

⁽⁵⁾ 32 A with 2 x 4 mm² cables connected in parallel.

⁽⁶⁾ 40 A with 2 x 4 mm² cables connected in parallel.

⁽⁷⁾ BTR screws: hexagon socket head. In accordance with local electrical wiring regulations, a size 4 insulated Allen key must be used (reference **LADALLEN4**, see page B8/51).

⁽⁸⁾ Coordination tables according to the number of operating cycles, see AC-1 curve, page A5/114.

TeSys Control

Deca Contactors

Product references



Characteristics:
p. B8/88 to B8/95

Dimensions:
p. B8/107 to B8/106

Schemes:
p. B8/111 to B8/112



Click [HERE](#) for access
to online contactor selector



LC1DT20●●



LC1DT80●●



LC1D65008●●

4-pole contactors - Load control, 20 to 125 A in category AC-1

Non inductive loads maximum current ($\theta \leq 60^\circ\text{C}$) utilisation category AC-1	Number of poles	Instantaneous auxiliary contacts	Basic reference, to be completed by adding the control voltage code ⁽¹⁾ Fixing ⁽²⁾	Weight ⁽³⁾

A kg

Connection by screw clamp terminals

20	4	–	1	1	LC1DT20●●	0.365
	2	2	1	1	LC1D098●●	0.365
25	4	–	1	1	LC1DT25●●	0.365
	2	2	1	1	LC1D128●●	0.365
32	4	–	1	1	LC1DT32●●	0.425
	2	2	1	1	LC1D188●●	0.425
40	4	–	1	1	LC1DT40●●	0.425
	2	2	1	1	LC1D258●●	0.425

Connection by EverLink®, BTR screw connectors

60	4	–	1	1	LC1DT60A●●	1.090
80	4	–	1	1	LC1DT80A●●	1.150

Connection by screw clamp terminals or connectors

60	2	2	–	–	LC1D40008●●	1.440
					or LP1D40008●●	2.210
80	2	2	–	–	LC1D65008●●	1.450
					or LP1D65008●●	2.220
125	4	–	–	–	LC1D80004●●	1.760
					or LP1D80004●●	2.685
					LC1D80008●●	1.840
					or LP1D80008●●	2.910

4-pole contactors for connection by lugs or bars

In the references selected above, insert a figure 6 before the voltage code.

Example: LC1DT20●● becomes LC1DT206●●.

Standard control circuit voltages (for other voltages, please consult your Regional Sales Office)

AC supply

Volts	24	42	48	110	115	220	230	240	380	400	415	440	500
LC1D09...D95 and LC1DT20...DT80A													
50/60 Hz	B7	D7	E7	F7	FE7	M7	P7	U7	Q7	V7	N7	R7	–
LC1D80...D95													
50 Hz	B5	D5	E5	F5	FE5	M5	P5	U5	Q5	V5	N5	R5	S5
60 Hz	B6	–	E6	F6	–	M6	–	U6	Q6	–	–	R6	–

DC supply

Volts	12	24	36	48	60	72	110	125	220	250	440
LC1D09...D25 and LC1DT20...DT40 (coils with integral suppression device fitted as standard, by bi-directional peak limiting diode)											
U 0.75...1.25 Uc	JD	BD	CD	ED	ND	SD	FD	GD	MD	UD	RD
LC1DT60A...DT80A (coils with integral suppression device fitted as standard, by bi-directional peak limiting diode)											
U 0.75...1.25 Uc	JD	⁽⁴⁾	⁽⁴⁾	⁽⁴⁾	⁽⁴⁾	⁽⁴⁾	⁽⁴⁾	⁽⁴⁾	⁽⁴⁾	⁽⁴⁾	RD
LP1D40...D80											
U 0.85...1.1 Uc	JD	BD	CD	ED	ND	SD	FD	GD	MD	UD	RD
U 0.75...1.2 Uc	JW	BW	CW	EW	–	SW	FW	–	MW	–	–
Low consumption											
Volts DC	5	12	20	24	48	110	220	250			
LC1D09...D25 and LC1DT20...DT40 (coils with integral suppression device fitted as standard, by bi-directional peak limiting diode)											
U 0.8...1.25 Uc	AL	JL	ZL	BL	EL	FL	ML	UL			

For other voltages between 5 and 690 V, see pages B8/55 to B8/57.

⁽¹⁾ Please check the availability of your variant in the index page B8/63. The SEARCH function of your viewer can be used.

⁽²⁾ LC1D09 to D38 and LC1DT20 to DT80A: clip-on mounting on 35 mm rail NSYSR or screw fixing.

LC1D80 ~: clip-on mounting on 35 mm rail NSYSR or 75 mm rail AM1DL or screw fixing.

LC1 or LP1D80 -: clip-on mounting on 75 mm rail AM1DL or screw fixing.

⁽³⁾ The weights indicated are for contactors with AC control circuit. For DC or low consumption control circuit, add 0.160 kg from LC1D09 to D38, 0.075 kg from LC1DT60A and D80A and 1 kg for LC1D80.

⁽⁴⁾ For these coil voltages, choose from Deca Advanced contactors. Same product ref. radical, just add BBE coil voltage code for 24 V DC, BNE for 24-60 V AC/DC, EHE for 48-130 V AC/DC, KUE for 100-250 V AC/DC. Example: LC1DT60ABBE.

TeSys Control

Deca Contactors

Product references



Characteristics:
p. B8/88 to B8/95

Dimensions:
p. B8/107 to B8/106

Schemes:
p. B8/111 to B8/112



Click [HERE](#) for access
to online contactor selector

PB121716.fr



LC1DT253●●

PB121715.fr



LC1DT80A3●●

4-pole contactors - Load control, 20 to 80 A in category AC-1

Non inductive loads maximum current ($\theta \leq 60^\circ\text{C}$) utilisation category AC-1	Number of poles	Instantaneous auxiliary contacts	Basic reference, to be completed by adding the voltage code ⁽¹⁾ Fixing ⁽²⁾	Weight ⁽³⁾

A **kg**

Connection by spring terminals

20	4	–	1	1	LC1DT203●●	0.380
	2	2	1	1	LC1D0983●●	0.380
25	4	–	1	1	LC1DT253●●	0.380
	2	2	1	1	LC1D1283●●	0.380
32	4	–	1	1	LC1DT323●●	0.425
	2	2	1	1	LC1D1883●●	0.425
40	4	–	1	1	LC1DT403●●	0.425
	2	2	1	1	LC1D2583●●	0.425

Connection by EverLink®, BTR screw connectors and control circuit by spring terminals

60	4	–	1	1	LC1DT60A3●●	1.090
80	4	–	1	1	LC1DT80A3●●	1.150

Separate components

Auxiliary contact blocks and add-on modules: see pages B8/43 to B8/51.

Standard control circuit voltages (for other voltages, please consult your Regional Sales Office)

AC supply	Volts	24	42	48	110	115	220	230	240	380	400	415	440	500
-----------	-------	----	----	----	-----	-----	-----	-----	-----	-----	-----	-----	-----	-----

LC1D09...D25 and LC1DT20...DT80A (coils with integral suppression device fitted as standard, by bi-directional peak limiting diode)

50/60 Hz	B7	D7	E7	F7	FE7	M7	P7	U7	Q7	V7	N7	R7	–
----------	----	----	----	----	-----	----	----	----	----	----	----	----	---

DC supply

Volts	12	24	36	48	60	72	110	125	220	250	440
-------	----	----	----	----	----	----	-----	-----	-----	-----	-----

LC1D09...D25 and LC1DT20...DT40 (coils with integral suppression device fitted as standard, by bi-directional peak limiting diode)

U 0.7...1.25 Uc	JD	BD	CD	ED	ND	SD	FD	GD	MD	UD	RD
-----------------	----	----	----	----	----	----	----	----	----	----	----

LC1DT60A...80A (coils with integral suppression device fitted as standard, by bi-directional peak limiting diode)

U 0.75...1.25 Uc	JD	BD	CD	ED	ND	SD	FD	GD	MD	UD	RD
------------------	----	----	----	----	----	----	----	----	----	----	----

Low consumption

Volts DC	5	12	20	24	48	110	220	250
----------	---	----	----	----	----	-----	-----	-----

LC1D09...D25 and LC1DT20...DT40 (coils with integral suppression device fitted as standard, by bi-directional peak limiting diode)

U 0.8...1.25 Uc	AL	JL	ZL	BL	EL	FL	ML	UL
-----------------	----	----	----	----	----	----	----	----

For other voltages between 5 and 690 V, see pages B8/55 to B8/57.

⁽¹⁾ Please check the availability of your variant in the index page B8/63. The SEARCH function of your viewer can be used.

⁽²⁾ **LC1D09 to D38 and LC1DT20 to DT80A**: clip-on mounting on 35 mm τ -rail NSYSDR or screw fixing.

⁽³⁾ The weights indicated are for contactors with AC control circuit. For DC or low consumption control circuit, add 0.160 kg from **LC1D09 to D38**, 0.075 kg for **LC1DT60A and DT80A**.



Characteristics:
p. B8/88 to B8/95

Dimensions:
p. B8/107 to B8/106

Schemes:
p. B8/111 to B8/112



Click [HERE](#) for access
to online contactor selector



LC1D09●●



LC1D25●●



LC1D80●●



LC1D95●●

Contactors conforming to UL and CSA standards (North American market) - 25 to 110 A

Standard power ratings of motors 50/60 Hz						Associated cable type 75 °C-Cu	UL continuous current	Type of contactor required Basic reference, to be completed by adding the control voltage code ⁽¹⁾ Fixing, connection ⁽²⁾
Single-phase 1 Ø		3-phase 3 Ø						
120 V	240 V	208 V	240 V	480 V	600 V			
HP	HP	HP	HP	HP	HP		A	

Connection by screw clamp terminals

1/3	1	2	2	5	7.5	AWG 18 - 10	25	LC1D09●●
0.5	2	3	3	7.5	10	AWG 18 - 10	25	LC1D12●●
1	3	5	5	10	15	AWG 18 - 8	32	LC1D18●●
2	3	7.5	7.5	15	20	AWG 14 - 6	40	LC1D25●●
2	5	10	10	20	25	AWG 14 - 6	50	LC1D32●● ⁽³⁾
2	5	10	10	20	25	AWG 14 - 6	50	LC1D38●● ⁽³⁾

Power connections by EverLink® BTR screw connectors and control by screw clamp terminals

3	5	10	10	30	30	AWG 16 - 2	60	LC1D40A●●
3	7.5	15	15	40	40	AWG 16 - 2	70	LC1D50A●●
5	10	20	20	40	50	AWG 16 - 2	80	LC1D65A●●
5	10	20	20	40	50	AWG 16 - 2	80	LC1D80A●●

Connection by screw clamp terminals or connectors

7.5	15	25	30	60	60	AWG 10 - 2	110	LC1D80●●
7.5	15	25	30	60	60	AWG 10 - 2	110	LC1D95●●

Applications with High-Fault Short-Circuit ratings

High-fault short-circuit current ratings are: 100 kA (LC1D09...D80) at 600 V with Class J fuses and 85 kA (LC1D09...D38), 100 kA (LC1D40A...D80) at 480 V and 50 kA (LC1D09...D80) at 600 V with circuit breakers.

Application example

For a 15 HP-230 V motor

Select a contactor type **LC1D50A**.

Information: the contactor rating selected corresponds to "size 2", the associated cable is type AWG3 75 °C-Cu.

Standard control circuit voltages (for other voltages, please consult your Regional Sales Office)

AC supply

Volts	24	42	48	110	115	120	208	220	230	240	380	400	415	440	480	500
LC1D09...D95																
50/60 Hz	B7	D7	E7	F7	FE7	G7 ⁽⁴⁾	LE7 ⁽⁴⁾	M7	P7	U7	Q7	V7	N7	R7	T7 ⁽⁴⁾	S7
LC1D09...D65 (not available with "connection for lugs or bars")																
50 Hz	B5	D5	E5						P5							
LC1D80 and D95																
50 Hz	B5	D5	E5	F5	FE5	G5	-	M5	P5	U5	Q5	V5	N5	R5	-	S5
60 Hz	B6	-	E6	F6	-	G6	L6	M6	-	U6	Q6	-	-	R6	T6	-

DC supply

Volts	12	24	36	48	60	72	110	125	220	250	440
LC1D09...D32 (coils with integral suppression device fitted as standard, by bi-directional peak limiting diode)											
U 0.7...1.25 Uc	JD	BD	CD	ED	ND	SD	FD	GD	MD	UD	RD
LC1D40A...D65A (coils with integral suppression device fitted as standard, by bi-directional peak limiting diode)											
U 0.75...1.25 Uc	JD ⁽⁵⁾	BD ⁽⁵⁾	CD ⁽⁵⁾	ED ⁽⁵⁾	ND ⁽⁵⁾	SD ⁽⁵⁾	FD ⁽⁵⁾	GD ⁽⁵⁾	MD ⁽⁵⁾	UD ⁽⁵⁾	RD
LC1D80 and D95											
U 0.85...1.1 Uc	JD	BD	CD	ED	ND	SD	FD	GD	MD	UD	RD
U 0.75...1.2 Uc	JW	BW	CW	EW	-	SW	FW	-	MW	-	-

Low consumption

Volts ~	5	12	20	24	48	72	110	220	250
LC1D09...D38 (coils with integral suppression device fitted as standard, by bi-directional peak limiting diode)									
U 0.8...1.25 Uc	AL	JL	ZL	BL	EL	SL	FL	ML	UL

⁽¹⁾ Please check the availability of your variant in the index page B8/63. The SEARCH function of your viewer can be used.

⁽²⁾ LC1D09 to D65A: clip-on mounting on 35 mm L rail NSYS DR or screw fixing.

LC1D80 and LC1D95: clip-on mounting on 35 mm L rail NSYS DR or 75 mm L rail AM1 DL or screw fixing.

⁽³⁾ Versions with spring terminals LC1D323 and LC1D383 are not certified UL/CSA.

⁽⁴⁾ Contactors LC1D40A, 50A, 65A, 80A: for this coil voltage use is only on 60 Hz.

⁽⁵⁾ For these coil voltages, choose from Deca Advanced contactors. Same product ref. radical, just add BBE coil voltage code for 24 V DC, BNE for 24-60 V AC/DC, EHE for 48-130 V AC/DC, KUE for 100-250 V AC/DC. Example: LC1D40ABBE.

TeSys Control

Deca Advanced Reversing Contactors

Product references



Characteristics:
p. B8/88 to B8/95

Dimensions:
p. B8/113 to B8/115

Schemes:
p. B8/114 to B8/115



Click [HERE](#) for access
to online contactor selector

Deca Advanced contactors have a dark grey casing and a 3-character code voltage.

3-pole reversing contactors - Motors up to 37 kW / 400 V in category AC-3/AC-3e

Pre-wired power connections

Standard power ratings of 3-phase motors 50-60 Hz in category AC-3/AC-3e ($\theta \leq 60^\circ\text{C}$)							Rated operational current in AC-3/AC-3e 440 V up to	Instan- taneous auxiliary contacts per contactor	Contactors supplied with coil Partial reference, to be completed by adding the control voltage code ⁽¹⁾	Weight
220 V 230 V	380 V 400 V	415 V	440 V	500 V	660 V 690 V					
kW	kW	kW	kW	kW	kW	A				kg
2.2	4	4	4	5.5	5.5	9	1	1	LC2D09●●●	0.783
3	5.5	5.5	5.5	7.5	7.5	12	1	1	LC2D12●●●	0.793
4	7.5	9	9	10	10	18	1	1	LC2D18●●●	0.803
5.5	11	11	11	15	15	25	1	1	LC2D25●●●	0.913
7.5	15	15	15	18.5	18.5	32	1	1	LC2D32●●●	0.923
9	18.5	18.5	18.5	18.5	18.5	38	1	1	LC2D38●●●	0.933
11	18.5	22	22	22	30	40	1	1	LC2D40A●●● ⁽³⁾	2.154
15	22	25	30	30	33	50	1	1	LC2D50A●●● ⁽³⁾	2.164
18.5	30	37	37	37	37	65	1	1	LC2D65A●●● ⁽³⁾	2.174
22	37	37	37	37	37	66	1	1	LC2D80A●●● ⁽³⁾	2.174

With mechanical interlock, without electrical interlocking, for connection by screw clamp terminals or Everlink BTR screw connectors ^{(3) (4)}

2.2	4	4	4	5.5	5.5	9	1	1	LC2D09●●●	0.783
3	5.5	5.5	5.5	7.5	7.5	12	1	1	LC2D12●●●	0.793
4	7.5	9	9	10	10	18	1	1	LC2D18●●●	0.803
5.5	11	11	11	15	15	25	1	1	LC2D25●●●	0.913
7.5	15	15	15	18.5	18.5	32	1	1	LC2D32●●●	0.923
9	18.5	18.5	18.5	18.5	18.5	38	1	1	LC2D38●●●	0.933
11	18.5	22	22	22	30	40	1	1	LC2D40A●●● ⁽³⁾	2.154
15	22	25	30	30	33	50	1	1	LC2D50A●●● ⁽³⁾	2.164
18.5	30	37	37	37	37	65	1	1	LC2D65A●●● ⁽³⁾	2.174
22	37	37	37	37	37	66	1	1	LC2D80A●●● ⁽³⁾	2.174

Auxiliary contact blocks and add-on modules

See pages page B8/42 to page B8/45.

Coil voltage codes

AC/DC or 24 V DC supply

Volts	24 (PLC control)	24...60	48...130	100...250
LC2D09...D38				
U 0.85...1.1 Uc	BNE ⁽⁵⁾	BNE	EHE	KUE
LC2D40A ...D80A				
U 0.85...1.1 Uc	BBE ⁽⁶⁾	BNE	EHE	KUE

⁽¹⁾ Please check the availability of your variant in the index page B8/63. The SEARCH function of your viewer can be used.

⁽²⁾ LC2D09 to D80A: clip-on mounting on 35 mm rail NSYSDR or screw fixing.

⁽³⁾ BTR screws: hexagon socket head. In accordance with local electrical wiring regulations, a size 4 insulated Allen key must be used (reference LADALLEN4, please refer to page B8/51).

⁽⁴⁾ Electrical interlocking is recommended when 2 orders (direct and reverse) could appear at the same time.

⁽⁵⁾ BNE: U 0.8...1.1 Uc (when DC).

⁽⁶⁾ BBE: U 0.8...1.2 Uc (DC only).

LC2D09BNE.eps



LC2D40ABNE.eps



TeSys Control

Deca Reversing Contactors

Product references



Characteristics:
p. B8/88 to B8/95

Dimensions:
p. B8/113 to B8/114

Schemes:
p. B8/114 to B8/115



Click [HERE](#) for access to online contactor selector

PE121717.MF



LC2D12●●

PE121685.EPS



LC2D65A●●

PE125661.EPS



LC2D95●●

3-pole reversing contactors - Motors up to 45 kW / 400 V in category AC-3/AC-3e

Horizontally mounted - Pre-wired power connections.

Standard power ratings of 3-phase motors
50-60 Hz in category AC-3/AC-3e
($\theta \leq 60^\circ\text{C}$)

Rated operational current in AC-3/AC-3e 440 V up to

Instantaneous auxiliary contacts per contactor

Contactors supplied with coil
Basic reference, to be completed by adding the control voltage code ⁽¹⁾

Weight ⁽³⁾

Fixing ⁽²⁾

220 V 380 V 415 V 440 V 500 V 660 V 1000 V
230 V 400 V 690 V V

kW kW kW kW kW kW kW A kg

With mechanical interlock, without electrical interlocking, for connection by screw clamp terminals or connectors

2.2	4	4	4	5.5	5.5	-	9	1	1	LC2D09●● ⁽⁴⁾	0.687
3	5.5	5.5	5.5	7.5	7.5	-	12	1	1	LC2D12●● ⁽⁴⁾	0.697
4	7.5	9	9	10	10	-	18	1	1	LC2D18●● ⁽⁴⁾	0.707
5.5	11	11	11	15	15	-	25	1	1	LC2D25●● ⁽⁴⁾	0.787
7.5	15	15	15	18.5	18.5	-	32	1	1	LC2D32●● ⁽⁴⁾	0.797
9	18.5	18.5	18.5	18.5	18.5	-	38	1	1	LC2D38●● ⁽⁴⁾	0.807
11	18.5	22	22	22	30	-	40	1	1	LC2D40A●●	1.870
15	22	25	30	30	33	-	50	1	1	LC2D50A●●	1.880
18.5	30	37	37	37	37	-	65	1	1	LC2D65A●●	1.890
22	37	45	45	55	45	-	80	1	1	LC2D80●●	3.200
25	45	45	45	55	45	-	95	1	1	LC2D95●●	3.200

Connection by lugs or bars

For reversing contactors LC2D09 to LC2D38, in the references selected above, insert a figure 6 before the voltage code. Example: LC2D09●● becomes LC2D096●●.

To build a 40 to 65 A reversing contactor, for connection by lugs, order 2 contactors LC1D●●A6 and mechanical interlock LAD4CM (see page B8/52).

Component parts

Auxiliary contact blocks and add-on modules: see pages B8/43 to B8/51.

Standard control circuit voltages (for other voltages, please consult your Regional Sales Office)

AC supply

Volts 24 42 48 110 115 220 230 240 380 400 415 440 500

LC2D09...D95

50/60 Hz B7 D7 E7 F7 FE7 M7 P7 U7 Q7 V7 N7 R7 S7

LC2D80...D95

50 Hz B5 D5 E5 F5 FE5 M5 P5 U5 Q5 V5 N5 R5 S5

60 Hz B6 - E6 F6 - M6 - U6 Q6 - - R6 -

DC supply

Volts 12 24 36 48 60 72 110 125 220 250 440

LC2D09...D38 (coils with integral suppression device fitted as standard, by bi-directional peak limiting diode)

U 0.7...1.25 U_c JD BD CD ED ND SD FD GD MD UD RD

LC2D40A...D65A (coils with integral suppression device fitted as standard, by bi-directional peak limiting diode)

U 0.75...1.25 U_c JD BD CD ED ND SD FD GD MD UD RD

Low consumption

Volts --- 5 12 20 24 48 110 220 250

LC2D09...D38 (coils with integral suppression device fitted as standard, by bi-directional peak limiting diode)

U 0.8...1.25 U_c AL JL ZL BL EL FL ML UL

For other voltages between 5 and 690 V, see pages B8/55 to B8/57.

(1) Please check the availability of your variant in the index page B8/63. The SEARCH function of your viewer can be used.

(2) LC2D09 to D65A: clip-on mounting on 35 mm rail NSYSR or screw fixing.

LC2D80 and D95: clip-on mounting on 35 mm rail NSYSR or 75 mm rail AM1DL or screw fixing.

(3) The weights indicated are for contactors with AC control circuit. For DC or low consumption control circuit, add 0.330 kg for LC2D09 to D38, 0.150 kg for LC1D40A to D65A.

(4) For reversing contactors with electrical interlocking pre-wired at the factory, add suffix V to the references selected above. Example: LC2D09B7 becomes LC2D09B7V.

Note: when assembling a reversing contactor, it is good practice to incorporate a 50 ms time delay.

TeSys Control

Deca Reversing Contactors

Product references



Characteristics:
p. B8/88 to B8/95

Dimensions:
p. B8/113 to B8/114

Schemes:
p. B8/114 to B8/115



Click [HERE](#) for access
to online contactor selector

PB121763M



LC2D123●●

3-pole reversing contactors - Motors up to 15 kW / 400 V in category AC-3/AC-3e

Pre-wired power connections.

Mechanical interlock without electrical interlocking.

Standard power ratings of 3-phase motors 50-60 Hz in category AC-3/AC-3e ($\theta \leq 60^\circ\text{C}$)							Rated operational current in AC-3/AC-3e 440 V up to	Instan- taneous auxiliary contacts per contactor	Contactors supplied with coil Basic reference, to be completed by adding the voltage code ⁽¹⁾	Weight ⁽³⁾
220 V	380 V	415 V	440 V	500 V	660 V	690 V				
kW	kW	kW	kW	kW	kW	A				kg
For connection by spring terminals										
2.2	4	4	4	5.5	5.5	9	1	1	LC2D093●●	0.687
3	5.5	5.5	5.5	7.5	7.5	12	1	1	LC2D123●●	0.697
4	7.5	9	9	10	10	18	1	1	LC2D183●●	0.707
5.5	11	11	11	15	15	25	1	1	LC2D253●●	0.787
7.5	15	15	15	18.5	18.5	32 ⁽⁴⁾	1	1	LC2D323●●	0.797
Power connection by EverLink[®], BTR screw connectors ⁽⁵⁾ and control by spring terminals										
11	18.5	22	22	22	30	40	1	1	LC2D40A3●●	1.870
15	22	25	30	30	33	50	1	1	LC2D50A3●●	1.880
18.5	30	37	37	37	37	65	1	1	LC2D65A3●●	1.890



Fixing ⁽²⁾

For connection by Faston connectors

All power connections are to be made by the customer.

These contactors are fitted with Faston connectors: 2 x 6.35 mm on the power poles and 1 x 6.35 mm on the coil terminals.

For reversing contactors LC2D09 and LC2D12 only, in the references selected above, replace the figure 3 before the voltage code with a figure 9.

Example: LC2D093●● becomes LC2D099●●.

Component parts

Auxiliary contact blocks and add-on modules: see pages B8/43 to B8/51.

Standard control circuit voltages (for other voltages, please consult your Regional Sales Office)

AC supply

Volts	24	42	48	110	115	220	230	240	380	400	415	440	500
-------	----	----	----	-----	-----	-----	-----	-----	-----	-----	-----	-----	-----

LC2D09...D65A

50/60 Hz	B7	D7	E7	F7	FE7	M7	P7	U7	Q7	V7	N7	R7	S7
----------	----	----	----	----	-----	----	----	----	----	----	----	----	----

DC supply

Volts	12	24	36	48	60	72	110	125	220	250	440
-------	----	----	----	----	----	----	-----	-----	-----	-----	-----

LC2D09...D32 (coils with integral suppression device fitted as standard, by bi-directional peak limiting diode)

U 0.7...1.25 U _c	JD	BD	CD	ED	ND	SD	FD	GD	MD	UD	RD
-----------------------------	----	----	----	----	----	----	----	----	----	----	----

LC2D40A...D65A (coils with integral suppression device fitted as standard, by bi-directional peak limiting diode)

U 0.75...1.25 U _c	JD	BD	CD	ED	ND	SD	FD	GD	MD	UD	RD
------------------------------	----	----	----	----	----	----	----	----	----	----	----

Low consumption

Volts	5	12	20	24	48	110	220	250
-------	---	----	----	----	----	-----	-----	-----

LC2D09...D32 (coils with integral suppression device fitted as standard, by bi-directional peak limiting diode)

U 0.8...1.25 U _c	AL	JL	ZL	BL	EL	FL	ML	UL
-----------------------------	----	----	----	----	----	----	----	----

For other voltages between 5 and 690 V, see pages B8/55 to B8/57.

(1) Please check the availability of your variant in the index page B8/63. The SEARCH function of your viewer can be used.

(2) LC2D09 to D32: clip-on mounting on 35 mm rail NSYSDR or screw fixing.

(3) The weights indicated are for reversing contactors with AC control circuit. For DC or low consumption control circuit, add 0.330 kg for LC2D09 to D38, 0.150 kg for LC1D40A to D65A.

(4) Must be wired with 2 x 4 mm² cables in parallel on the upstream side. On the downstream side, outgoing terminal block LAD331 may be used (Quickfit technology, see page B1/18). When wired with a single cable, the product is limited to 25 A (11 kW/400 V motors).

(5) BTR screws: hexagon socket head. In accordance with local electrical wiring regulations, a size 4 insulated Allen key must be used (reference LADALLEN4, see page B8/51).

TeSys Control

Deca Changeover Contactors

Product references



Characteristics:
p. B8/88 to B8/95

Dimensions:
p. B8/113 to B8/114

Schemes:
p. B8/114 to B8/115



Click [HERE](#) for access
to online contactor selector

PB121719.eps



LC2DT20●●

LC2D8004P7_image.eps



LC2D8004●●

Contactors

4-pole changeover contactor pairs - 20 to 125 A in category AC-1

Pre-assembled. Pre-wired power connections

LC2DT20 to LC2DT40: mechanical interlock without electrical interlocking.

LC2D80004: order separately 2 auxiliary contact blocks LADN●1 to obtain electrical interlocking between the 2 contactors (see page B8/43).

For electrical interlocking incorporated in the mechanical interlock, please consult your Regional Sales Office.

For connection by screw clamp terminals or connectors

Utilisation category AC-1 Non-inductive loads Maximum rated operational current ($\theta \leq 60^\circ\text{C}$)	Instantaneous auxiliary contacts per contactor		Contactors supplied with coil	Weight kg
			Basic reference, to be completed by adding the voltage code ⁽¹⁾ ⁽²⁾ Fixing ⁽³⁾	
A				
20	1	1	LC2DT20●●	0.730
25	1	1	LC2DT25●●	0.730
32	1	1	LC2DT32●●	0.850
40	1	1	LC2DT40●●	0.850
125	–	–	LC2D80004●●	3.200

For connection by lugs or bars

20	1	1	LC2DT206●●	0.730
25	1	1	LC2DT256●●	0.730
32	1	1	LC2DT326●●	0.850
40	1	1	LC2DT406●●	0.850

For customer assembly

For connection by screw clamp terminals or connectors

60	1	1	LC1DT60A●● ⁽⁴⁾	–
80	1	1	LC1DT80A●● ⁽⁴⁾	–

For connection by lugs or bars

60	1	1	LC1DT60A6●● ⁽⁴⁾	–
80	1	1	LC1DT80A6●● ⁽⁴⁾	–

Auxiliary contact blocks and add-on modules: see pages B8/43 to B8/51.

Note: when assembling changeover contactor pairs, it is good practice to incorporate a 50 ms time delay.

⁽¹⁾ See note ⁽²⁾ on next page.

⁽²⁾ Please check the availability of your variant in the index page B8/63. The SEARCH function of your viewer can be used.

⁽³⁾ LC2DT20 to LC2DT80: clip-on mounting on 35 mm rail NSYSR or screw fixing.
LC2D80: clip-on mounting on 35 mm rail NSYSR or 75 mm rail AM1DL or screw fixing.

⁽⁴⁾ For these operational currents, order 2 identical contactors and a mechanical interlock LAD4CM (see page B8/52).



Characteristics:
p. B8/88 to B8/95

Dimensions:
p. B8/113 to B8/114

Schemes:
p. B8/114 to B8/115



Click [HERE](#) for access
to online contactor selector

4-pole changeover contactor pairs for 20 to 80 A control in category AC-1

Pre-assembled, for customer assembly

Pre-wired power connections, for connection by spring terminals.

Utilisation category AC-1 Non-inductive loads Maximum rated operational current ($\theta \leq 60^\circ\text{C}$)	Instantaneous auxiliary contacts per contactor		Contactors supplied with coil
			Basic reference, to be completed by adding the control voltage code ⁽¹⁾ Fixing ⁽²⁾

A			
20	1	1	LC2DT203●●

Power connection by EverLink®, BTR screw connectors ⁽³⁾ and control by spring terminals

60	1	1	LC1DT60A3●● ⁽⁴⁾
80	1	1	LC1DT80A3●● ⁽⁴⁾

Separate components

Auxiliary contact blocks and add-on modules: see pages B8/19 to B8/19.

Standard control circuit voltages

(for other voltages, please consult your Regional Sales Office)

AC supply

Volts	24	42	48	110	115	220	230	240	380	400	415	440	500
-------	----	----	----	-----	-----	-----	-----	-----	-----	-----	-----	-----	-----

LC2DT20...DT40, LC2DT60A...DT80A

50/60 Hz	B7	D7	E7	F7	FE7	M7	P7	U7	Q7	V7	N7	R7	-
----------	----	----	----	----	-----	----	----	----	----	----	----	----	---

LC2D80004...D115004

50 Hz	B5	D5	E5	F5	FE5	M5	P5	U5	Q5	V5	N5	R5	S5
-------	----	----	----	----	-----	----	----	----	----	----	----	----	----

60 Hz	B6	-	E6	F6	-	M6	-	U6	Q6	-	-	R6	-
-------	----	---	----	----	---	----	---	----	----	---	---	----	---

DC supply

Volts	12	24	36	48	60	72	110	125	220	250	440
-------	----	----	----	----	----	----	-----	-----	-----	-----	-----

LC2DT20...DT40, LC1DT60...DT80 (coils with integral suppression device fitted as standard, by bi-directional peak limiting diode)

U 0.7...1.25 U _c	JD	BD	CD	ED	ND	SD	FD	GD	MD	UD	RD
-----------------------------	----	----	----	----	----	----	----	----	----	----	----

Low consumption

Volts	5	12	20	24	48	110	220	250
-------	---	----	----	----	----	-----	-----	-----

LC2DT20...DT40 (coils with integral suppression device fitted as standard, by bi-directional peak limiting diode)

U 0.8...1.25 U _c	AL	JL	ZL	BL	EL	FL	ML	UL
-----------------------------	----	----	----	----	----	----	----	----

For other voltages between 5 and 690 V, see pages B8/19 to B8/19.

⁽¹⁾ Please check the availability of your variant in the index page B8/63. The SEARCH function of your viewer can be used.

⁽²⁾ Clip-on mounting on 35 mm rail NSYSR or screw fixing.

⁽³⁾ BTR screws: hexagon socket head. In accordance with local electrical wiring regulations, a size 4 insulated Allen key must be used (reference LADALLEN4, see page B8/19).

⁽⁴⁾ For these operational currents, order 2 identical contactors and a mechanical interlock LAD4CM (see page B8/19).



Example of necessary components for customer assembly:
2 x LC1DT80A3●● contactors + LAD4CM mechanical interlock

TeSys Control

Deca Contactors for Switching Capacitors Banks

Product references



Dimensions:
p. B8/116

Schemes:
p. B8/116



Click [HERE](#) for access to online contactor selector

PB121722.eps



LC1DGK●●, LC1DLK●●, LC1DMK●●

PB123777.eps



LC1DWK12●●

Contactors for switching 3-phase capacitor banks (power factor correction)

Special contactors **LC1D●K** are designed for switching 3-phase, single or multiple-step capacitor banks (up to 6 steps). Over 6 steps, it is recommended to use chokes in order to limit the inrush current and thus improve the lifetime of the installation. The contactors are conform to standards IEC 60070 and 60831, UL and CSA.

Contactor applications

Specification

Contactors fitted with a block of early make poles and damping resistors, limiting the value of the current on closing to 60 In max.

This current limitation increases the life of all the components of the installation, in particular that of the fuses and capacitors.

Operating conditions

Short-circuit protection must be provided by gI type fuses rated at 1.7...2 In.

It will ensure the service continuity of the whole installation in case of a capacitor contactor end of life.

Maximum operational power

The power values given in the selection table below are for the following operating conditions:

Prospective peak current at switch-on	LC1D●K	200 In
Maximum operating rate	LC1DFK, DGK, DLK, DMK	240 operating cycles/hour
	LC1DPK, DTK, DWK	100 operating cycles/hour
Electrical durability at nominal load	All contactor ratings	400 V 300 000 operating cycles
		690 V 200 000 operating cycles

Operational power at 50/60 Hz ⁽¹⁾ $\theta \leq 60^\circ\text{C}$ ⁽²⁾				Instantaneous auxiliary contacts		Tightening torque on cable end	Basic reference, to be completed by adding the voltage code ^{(3) (4)}	Weight
230 V	400 V	440 V	690 V	N/O	N/C	N.m		kg
kVAR	kVAR	kVAR	kVAR				LC1DFK●●	0.430
7	12.5	12.5	21	1	2	1.7	LC1DGK●●	0.450
9.5	16.7	16.7	28.5	1	2	2.5	LC1DLK●●	0.600
11	20	21	33	1	2	2.5	LC1DMK●●	0.630
14	25	27	42	1	2	2.5	LC1DPK●●	1.300
17	30	32	50	1	2	5	LC1DTK●●	1.300
22	40	43	67	1	2	5	LC1DWK12●●	1.650
35	63	67	104	1	2	12		

Switching of multiple-step capacitor banks (with equal or different power ratings)

The correct contactor for each step is selected from the above table, according to the power rating of the step to be switched.

Example: 50 kVAR 3-step capacitor bank. Temperature: 50 °C and U = 400 V or 440 V.

One 25 kVAR step: contactor LC1DMK, one 15 kVAR step: contactor LC1DGK, and one 10 kVAR step: contactor LC1DFK.

⁽¹⁾ Operational power of the contactor according to the scheme on the page opposite.

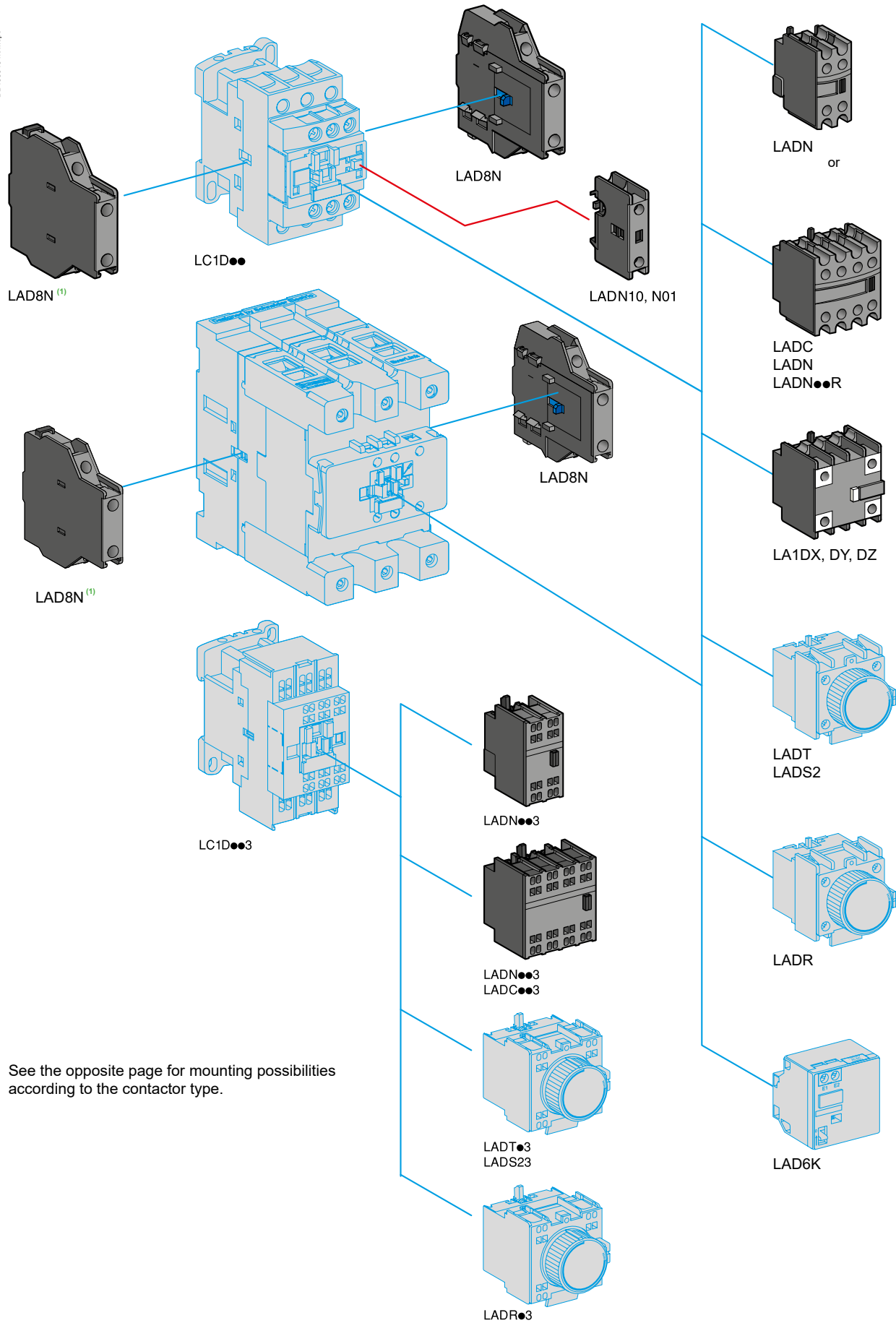
⁽²⁾ The average temperature over a 24-hour period, in accordance with standards IEC 60070 and 60831 is 45 °C.

⁽³⁾ Standard control circuit voltages (the delivery time is variable, please consult your Regional Sales Office):

Volts	24	48	110	120	220	230	240	380	400	415	440
50/60 Hz	B7	E7	F7	G7 ⁽⁵⁾	M7	P7	U7	Q7	V7	N7	R7

⁽⁴⁾ Please check the availability of your variant in the index page B8/63. The SEARCH function of your viewer can be used.

⁽⁵⁾ For PKTK, G7 can only be used at 60 Hz.



See the opposite page for mounting possibilities according to the contactor type.

⁽¹⁾ No left side mounting on Deca Advanced contactors (AC/DC coil) up to LC1D38.

TeSys Control

Deca Advanced, Deca Contactors - Auxiliary Contact Blocks

Product references



Characteristics:
p. B8/96 to B8/97

Curves:
p. B8/98

Dimensions:
p. B8/107 to B8/108

Schemes:
p. B8/111 to B8/112



LADN22



LAD8N11



LADN22R



LA1DX●●, LA1DZ●●

Instantaneous auxiliary contact blocks for connection by screw clamp terminals

For use in normal operating environments

Clip-on mounting	Number of contacts per block	Composition					Reference	
Front	1	-	-	-	1	-	LADN10	
		-	-	-	-	1	LADN01	
	2	-	-	-	1	1	LADN11	
		-	-	-	2	-	LADN20	
	4	-	-	-	-	2	LADN02	
		-	-	-	2	2	LADN22	LADN22S ⁽¹⁾
		-	-	-	1	3	LADN13	
		-	-	-	4	-	LADN40	
		-	-	-	-	4	LADN04	
		-	-	-	3	1	LADN31	
Side (contact blocks compatible with AC coil and AC/DC Deca Advanced contactors)	2	-	-	-	1	1	LAD8N11	
		-	-	-	2	-	LAD8N20	
		-	-	-	-	2	LAD8N02	

For use in harsh industrial environment⁽⁶⁾

Front	2	-	-	-	1	1	LADN11R
		-	-	-	2	-	LADN20R
	4	-	-	-	2	2	LADN22R
-		-	-	4	-	LADN40R	
		-	-	-	3	1	LADN31R

For terminal referencing conforming to EN 50012

Front on 3P contactors and 4P contactors 20 to 80 A	2	-	-	-	1	1	LADN11G
Front on 4P contactors 125 to 200 A	4	-	-	-	2	2	LADN22G
	2	-	-	-	1	1	LADN11P
	4	-	-	-	2	2	LADN22P

With dust and damp protected contacts, for use in harsh industrial environment

Front	2	-	2	-	-	-	LA1DX20
		1	1	-	-	-	LA1DX11
		2	-	-	-	-	LA1DX02
	4	-	2	2	-	-	LA1DY20 ⁽²⁾
		-	2	-	2	-	LA1DZ40
		-	2	-	1	1	LA1DZ31

Instantaneous auxiliary contact blocks for connection by lugs

This type of connection is not possible for blocks with 1 contact or blocks with dust and damp protected contacts. For all other instantaneous auxiliary contact blocks, add the figure 6 to the end of the references selected above. Example: LADN11 becomes LADN116.

Instantaneous auxiliary contact blocks for connection by spring terminals

This type of connection is not possible for LAD8, LADN with 1 contact or blocks with dust and damp protected contacts. For all other contact blocks, add the figure 3 to the end of the references selected above. Example: LADN11 becomes LADN113.

Maximum number of auxiliary contacts that can be fitted:

Contactors	Type	Number of poles and size	Instantaneous auxiliary contacts					Time delay
			Side mounted	Front mounted				
				1 contact	2 contacts	4 contacts	1 block	
AC	3P	LC1D09...D38	1 on LH or 1 on RH side ⁽³⁾ and	-	1	or 1	or 1	
		LC1D40A...D80A	1 on LH or 1 on RH side and	-	1	or 1	or 1	
		LC1D80 and D95 (50/60 Hz)	1 on each side or	2	and	1	or 1	
		LC1D80 and D95 (50 or 60 Hz)	1 on each side and	2	and	1	or 1	
		LC1D115A and D150A	1 on each side and	-	1	-	or 1	
	4P	LC1DT20...DT40	1 on LH side and	-	1	or 1	or 1	
		LC1DT60A and DT80A	1 on LH or 1 on RH side and	-	1	or 1	or 1	
		LC1D40008, D65008 and D80	1 on each side or	1	or	1	or 1	
		LC1DT200A	1 on each side and	-	1	-	or 1	
		1 on LH or 1 on RH side and	-	1	or 1	or 1		
DC	3P	LC1D09...D38	-	-	1	or 1	or 1	
		LC1D40A...D80A	-	-	1	or 1	or 1	
		LC1D80 and D95	-	1	or	1	or 1	
	4P	LC1DT20...DT40	-	-	1	or 1	or 1	
		LC1DT60A and DT80A	-	-	1	or 1	or 1	
		LC1D40008, D65008 and D80	-	2	and	1	or 1	
		LC1D09...D38	-	-	1	-	-	
	4P	LC1DT20...DT40	-	-	1	-	-	

(1) With red front face - for safety chain indication.

(4) LC: low consumption.

(2) Device fitted with 4 earth screen continuity terminals.

(5) LA1D●●● dust & damp proof auxiliary contact blocks not allowed.

(3) 1 on LH side for AC coils - 1 on RH side for AC/DC coils.

(6) Available only with screw clamp terminals and can be used on contactors with standard power consumption.

TeSys Control

Deca Advanced, Deca Contactors - Auxiliary Contact Blocks

Product references



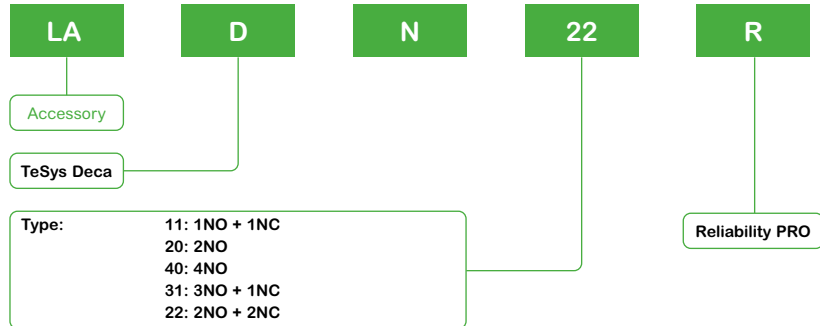
Characteristics:
p. B8/88 to B8/95

Dimensions:
p. B8/103 to B8/105

Schemes:
p. B8/114 to B8/115

TeSys Deca auxiliary contact blocks for use in harsh industrial environment

Product references:
coding principle



Note: There are differences in NO/NC position between LADN●●R and LADN●●. Please refer to page B8/111 for wiring diagram details. This auxiliary module only supports the installation on contactors with standard power consumption.

Product core values

Dustproof, Ultra-fine grain silver contacts, Improved Reliability, 17 V/1 mA

New upgrade, with innovative design



20% stability increased on contacts
Ensure contact reliability between mobile and static contacts



Fully sealed design benefits on reduced dust access
Comprehensive blocking of dust and external pollution

5X granularity refinement on silver alloy
Innovative binary alloy refinement process ensures precise conduction for each operation

10⁻⁸ level on reliability
Capacity 17 V/1 mA



Target industries and applications

- For elevator, textile machinery and other harsh industrial applications
- For low voltage and low current high sensitive applications

Contactors

Product variants:



LADN11R



LADN20R



LADN22R



LADN31R



LADN40R

Guideline for product upgrading

Existing products	
LADN●● Standard applications 17 V/5 mA	
Product type	Product description
LADN11	Auxiliary module 1NO+1NC, screw terminals
LADN20	Auxiliary module 2NO, screw terminals
LADN22	Auxiliary module 2NO + 2NC, screw terminals
LADN31	Auxiliary module 3NO + 1NC, screw terminals
LADN40	Auxiliary module 4NO, screw terminals



New products	
LADN●●R for harsh environment 17 V/1 mA	
Product type	Product description
LADN11R	Auxiliary module 1NO +1NC, screw terminals
LADN20R	Auxiliary module 2NO, screw terminals
LADN22R	Auxiliary module 2NO + 2NC, screw terminals
LADN31R	Auxiliary module 3NO + 1NC, screw terminals
LADN40R	Auxiliary module 4NO, screw terminals

TeSys Control

Deca Advanced, Deca Contactors - Time Delay Auxiliary Contact Blocks

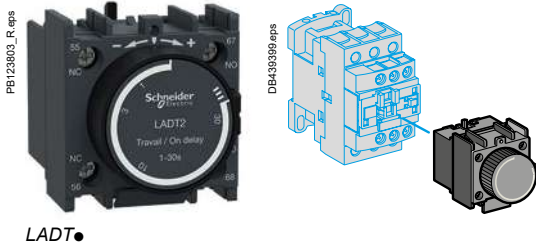
Product references



Characteristics:
p. B8/88 to B8/95

Dimensions:
p. B8/103 to B8/105

Schemes:
p. B8/114 to B8/115

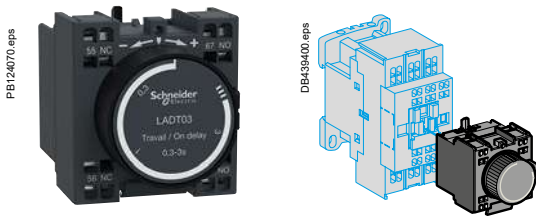


LADT0●

Time delay auxiliary contact blocks for connection by screw clamp terminals

Maximum number of auxiliary contact blocks that can be fitted per contactor, see page B8/43.
Sealing cover to be ordered separately, see page B8/51.
LADS2: with switching time of 40 ms ± 15 ms between opening of the N/C contact and closing of the N/O contact.

Clip-on mounting	Number of contacts	Time delay		Reference
		Type	Setting range	
Front	1 N/O + 1 N/C	On-delay	0.3...3 s ⁽⁵⁾	LADT0
			1...30 s	LADT2
			10...180 s	LADT4
		Off-delay	1...30 s	LADS2
			0.3...3 s ⁽⁵⁾	LADR0
			1...30 s	LADR2
		10...180 s	LADR4	



LADT03

Time delay auxiliary contact blocks for connection by lugs

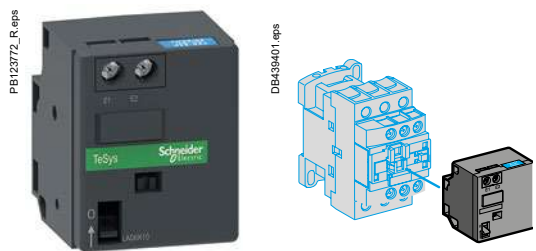
Add the figure 6 to the end of the references selected above. Example: LADT0 becomes LADT06.

Time delay auxiliary contact blocks for connection by spring terminals

Add the figure 3 to the end of the references selected above. Example: LADT0 becomes LADT03.

Time delay auxiliary contact blocks for connection by Faston connectors

Add the figure 9 to the end of the references selected above. Example: LADT0 becomes LADT09.



LAD6K10●

Mechanical latch blocks ⁽¹⁾

Clip-on mounting	Unlatching control	For use on contactor	Basic reference, to be completed by adding the control voltage code ^{(2) (3)}
Front	Manual or electric	LC1D09...D38 (3P AC or DC or AC/DC) ⁽⁴⁾ LC1DT20...DT40 (4P AC or DC)	LAD6K10●
		LC1D40A...D80A (3P AC or DC or AC/DC) LC1DT60A and DT80A (4P AC or DC or AC/DC)	LAD6K10●
		LC1D115A and D150A (3P AC/DC) LC1DT200A (4P AC/DC)	LAD6K20● ⁽⁶⁾
		LC1D80 and D95 (3P AC) LC1D80 and D95 (3P DC) LC1D80 (4P AC) LP1D80 (4P DC)	LA6DK20●
		LC1D40 and D65 (4P AC) LP1D40 and D65 (4P DC)	LA6DK10●

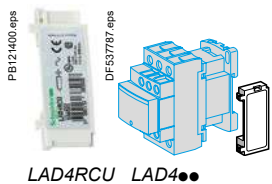
- (1) The mechanical latch block must not be powered up at the same time as the contactor. The duration of the control signal for the mechanical latch block and the contactor should be: ≥ 100 ms for a contactor operating on an AC supply, ≥ 250 ms for a contactor operating on a DC supply. Maximum impulse duration for the mechanical latch block: 10 seconds.
- (2) Standard control circuit voltages (for other voltages, please consult your Regional Sales Office):

Volts	50/60 Hz	24	32/36	42/48	60/72	100	110/127	220/240	256/277	380/415
Code		B	C	E	EN	K	F	M	U	Q

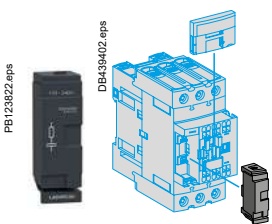
- (3) Please check the availability of your variant in the index page B8/63. The SEARCH function of your viewer can be used.
- (4) The DC, low consumption contactors (coil code ●L) are not compatible with the mechanical latch blocks LAD6K10●.
- (5) With extended scale from 0.1 to 6 s.
- (6) Available in 2026.



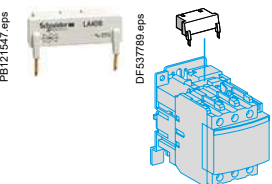
Characteristics:
p. B8/100



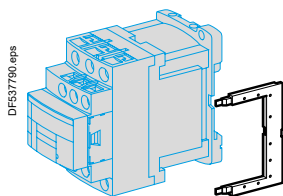
LAD4RCU LAD4●●



LAD4RC3●, LAD4V3●,
LAD4D3U, LAD4T3●



LA4DC3U



LAD4DDL or LAD4T●DL



LAD4DDL

RC circuits (Resistor-Capacitor)

Effective protection for circuits highly sensitive to "high frequency" interference. For use only in cases where the voltage is virtually sinusoidal. i.e. less than 5 % total harmonic distortion. Voltage limited to 3 Uc max. and oscillating frequency limited to 400 Hz max. Slight increase in drop-out time (1.2 to 2 times the normal time).

Mounting	For use with contactor ⁽¹⁾ Rating	Type		Reference
		V AC	V DC	
Clip-on side mounting ⁽²⁾⁽³⁾	D09...D38 (3P) DT20...DT40	24...48	–	LAD4RCE
		50...127	–	LAD4RCG
		110...250	–	LAD4RCU
Clip-on front mounting ⁽²⁾⁽³⁾	D40A...D80A (3P) DT60A...DT80A (4P)	24...48	–	LAD4RC3E
		50...127	–	LAD4RC3G
		110...240	–	LAD4RC3U
		380...415	–	LAD4RC3N
Screw fixing ⁽⁴⁾	D80 and D95 (3P) D40...D80 (4P)	24...48	–	LA4DA2E
		50...127	–	LA4DA2G
		110...240	–	LA4DA2U
		380...415	–	LA4DA2N

Varistors (peak limiting)

Protection provided by limiting the transient voltage to 2 Uc max. Maximum reduction of transient voltage peaks. Slight increase in drop-out time (1.1 to 1.5 times the normal time).

Clip-on side mounting ⁽²⁾⁽³⁾	D09...D38 (3P) DT20...DT40	24...48	–	LAD4VE
		50...127	–	LAD4VG
		110...250	–	LAD4VU
Clip-on front mounting ⁽²⁾⁽³⁾	D40A...D80A (3P) DT60A...DT80A (4P)	24...48	24...48	LAD4V3E
		50...127	50...127	LAD4V3G
		110...250	110...250	LAD4V3U
		–	–	–
Screw fixing ⁽⁴⁾	D80 and D95 (3P) D80 (4P)	24...48	–	LA4DE2E
		50...127	–	LA4DE2G
		110...250	–	LA4DE2U
		–	24...48	LA4DE3E
–	D80 and D95 (3P) D80 (4P)	–	110...250	LA4DE3U

Flywheel diodes

No overvoltage or oscillating frequency. Increase in drop-out time (6 to 10 times the normal time).
Polarised component.

Clip-on side mounting ⁽³⁾⁽⁵⁾	D09...D38 (3P), DT20...DT40	–	5...600	LAD4DDL
Clip-on front mounting ⁽³⁾	D40A...D65A (3P), DT60A...DT80A (4P)	–	24...250	LAD4D3U
Screw fixing ⁽⁴⁾	D80 and D95 (3P), D40...D80 (4P)	–	24...250	LA4DC3U

Bidirectional peak limiting diodes

Protection provided by limiting the transient voltage to 2 Uc max.
Maximum reduction of transient voltage peaks.

Clip-on side mounting ⁽²⁾	D09...D38 (3P) DT20...DT40 (4P) ⁽⁶⁾	24	–	LAD4TB
		–	24	LAD4TBDL
		72	–	LAD4TS
		–	72	LAD4TSDL
		–	125	LAD4TGDL
Clip-on front mounting ⁽²⁾	D40A...D80A (3P) DT60A...DT80A (4P) ⁽⁶⁾	–	250	LAD4TUDL
		12...24	12...24	LAD4T3B
		25...72	25...72	LAD4T3S
		73...125	73...125	LAD4T3G
		126...250	126...250	LAD4T3U
Screw fixing ⁽⁴⁾	–	251...440	251...440	LAD4T3R
		–	24	LA4DB3B
		–	72	LA4DB3S

⁽¹⁾ For satisfactory protection, a suppressor module must be fitted across the coil of each contactor except for Deca Advanced (●●E coil), as surge protection is already embedded.

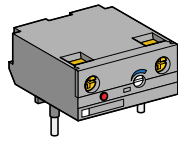
⁽²⁾ Clipping-on makes the electrical connection. The overall size of the contactor remains unchanged.

⁽³⁾ In order to install these accessories, the existing suppression device must first be removed.

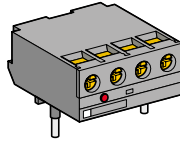
⁽⁴⁾ Mounting at the top of the contactor on coil terminals A1 and A2.

⁽⁵⁾ Not compatible with low consumption contactors.

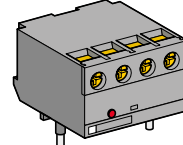
⁽⁶⁾ From D09 to D65A and from LC1DT20 to DT80A, DC, low consumption are fitted with a built-in bidirectional peak limiting diode suppressor as standard. This bidirectional peak limiting diode is removable and can therefore be replaced by the user. (See reference above).



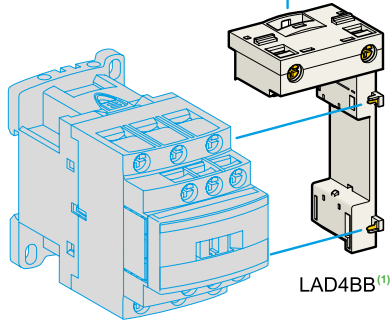
LA4DT



LA4DFB⁽¹⁾

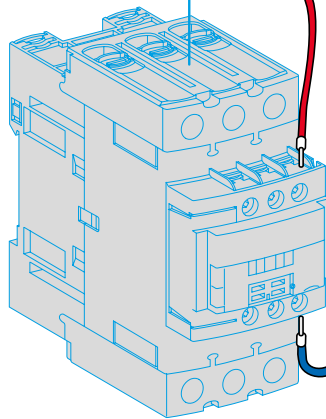


LA4DWB

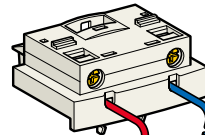


LC1D09...D38

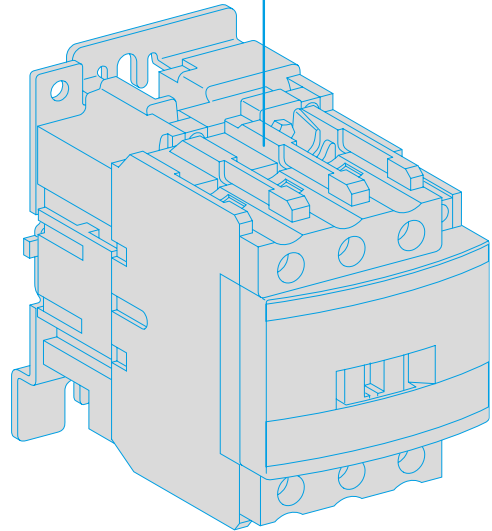
LAD4BB⁽¹⁾



LC1D40A...D80A



LAD4BB3



LC1D80...D95

Contactors

See the opposite page for mounting possibilities according to the contactor type.

⁽¹⁾ For Deca contactor with AC coil only.



Characteristics:
p. B8/101

Dimensions:
p. B8/107

Schemes:
p. B8/112

PB124005.eps



LA4DT00

PB124006.eps



LA4DFB

PB121500.eps



LA4DBL

PB121402.eps



LAD4BBVU

Electronic serial timer modules ⁽¹⁾

- 3-pole contactors LC1D09 to D38: mounted using adapter LAD4BB, to be ordered separately, see below.
- 3-pole contactors LC1D40A to D65A: mounted using adapter LAD4BB3, to be ordered separately, see below.
- 3-pole contactors LC1D80 and D95 and 4-pole contactors LC1D40 to D80: mounted directly across terminals A1 and A2 of the contactor.

On-delay type

Operational voltage AC		Time delay	Reference
24...250 V	100...250 V		
LC1D09...D80A (3P)	LC1D80 and D95 (3P)	0.1...2 s	LA4DT0U
		1.5...30 s	LA4DT2U
		25...500 s	LA4DT4U

Interface modules

- 3-pole contactors LC1D09 to D38: mounted using adapter LAD4BB, to be ordered separately, see below.
- 3-pole contactors LC1D40A to D80A: mounted using adapter LAD4BB3, to be ordered separately, see below.

Relay interface

Operational voltage AC		Supply voltage E1-E2 (DC)	Reference
24...250 V			
LC1D09...D95 (3P)		24 V	LA4DFB

Static relay interface

Operational voltage AC		Supply voltage E1-E2 (DC)	Reference
24...250 V	100...250 V		
LC1D09...D80A (3P)	LC1D80...D95 (3P)	24 V	LA4DWB

Adapter kit for low control signal

For use on contactors	Composition	Reference
LC1D40A...D80A (3P) ⁽²⁾	<ul style="list-style-type: none"> ■ 1 LAD4BB3 coil wiring adapter ■ 1 LA4DFB relay interface module 	LA4DBL

Wiring adapters for coil retrofit of 3 pole contactors

For adapting existing wiring to a new product

For use on contactors		Reference	
LC1D09...D38	Without coil suppression	LAD4BB ⁽³⁾	
	With coil suppression	24...48 V AC	LAD4BBVE
		50...127 V AC	LAD4BBVG
		110...250 V AC	LAD4BBVU
LC1D40A...80A	Without coil suppression	LAD4BB3	

⁽¹⁾ For 24 V operation, the contactor must be fitted with a 21 V coil (code Z). See pages B8/55 to B8/57.

⁽²⁾ The kit is compatible with a coil voltage of 24 V AC to 250 V AC (B7 to U7) and 24 V DC to 250 V DC (BD to UD).

⁽³⁾ LAD4BB can not be used with 4 poles contactors.

TeSys Control

Deca Advanced, Deca Contactors - Accessories

Product references



LAD93260



LAD91503A



LAD96570



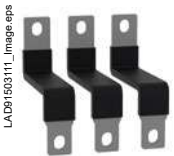
LAD9P3



LAD9D80962



LAD9D11567



LAD91503111

Accessories for main pole and control connections

Description	For use with contactors LC1				Sold in lots of	Unit reference
	Deca Contactors		Deca Advanced			
	AC coil	DC coil	AC/DC coil			
Connectors for cable, size (1 connector)	4-pole 4...10 mm ²	DT20, DT25	DT20, DT25	–	1	LAD92560
	3-pole 6...25 mm ²	D09...D38	D09...D38	D09...D38	1	LAD93260
EverLink® terminal block ⁽¹⁾	3-pole	D40A...D80A	D40A...D80A	–	1	LAD96560
	3-pole	–	–	D115A, D150A	1	LAD91503A
	4-pole	–	–	DT200A	1	LAD91154A
Connectors for lug type terminals (2 connectors)	3-pole	–	–	D115A6, D150A6	1	LAD915036
	4-pole	–	–	DT200A6	1	LAD911546
Protective covers for connectors for lug type terminals	3-pole	D40A6...D80A6	D40A6...D80A6	D40A6...D80A6	1	LAD96570
	4-pole	–	–	DT60A6...DT80A6	1	LAD96580
IP 20 covers for lug type terminals (for mounting with circuit breakers GV3 P●●6 and GV3 L●●6)	3 poles	D40A6...D80A6	D40A6...D80A6	D40A6...D80A6	1	LAD96575
Links for parallel connection of	2 poles	DT32, DT40 (4P)	DT32, DT40 (4P)	–	10	LAD96061
		D40A...D80A	D40A...D80A	D40A...D80A	1	LAD9P32
		D80, D95	D80, D95	–	2	LA9D80961
	3 poles	D09...D38	D09...D38	D09...D38	10	LAD9P3 ⁽²⁾
		D40A...D80A	D40A...D80A	D40A...D80A	1	LAD9P33
		D80, D95	D80, D95	–	1	LA9D80962
	4 poles	DT20, DT25	DT20, DT25	–	2	LA9D1263
		D80	D80	–	2	LA9D80963
	Staggered coil connection	–	D80	–	10	LA9D09966
	Control circuit take-off from main pole	D80, D95	D80, D95	–	10	LA9D8067
–		–	D115A, D150A	10	LA9D11567	
Spreaders for increasing the pole pitch to 45 mm	–	–	D115A, D150A	3	GV7AC03	
Flexible terminal extensions to connect with GV5, NSX160...NSX250	3 poles	–	–	D115A, D150A	1	LAD91503111
Flexible terminal extensions to connect with NSX160...NSX250	4 poles	–	–	DT200A	1	LAD91154111
Flexible terminal extensions to connect with LR9G115...LR9G225	3 poles	–	–	D115A, D150A	1	LAD91503211

(1) 1 connector within LAD96560, 2 connectors within LAD91503A and LAD91154A.

(2) Separate connecting bar for connecting 2 poles in parallel.

TeSys Control

Deca Advanced, Deca Contactors - Accessories

Product references



LAD9150801



GV2G245



GV1G09

GV3S



LAD9ET1



LAD9ET1S



LAD21...22



LAD90



LAD7X3



LAD9150RFB1



LAD9150RFT

Power terminal accessories

Description	Suitable for	Compatible with contactors	Sold in lots of	Reference
Phase separators ⁽¹⁾	3P	LC1D115A...D150A	3	LAD9150801
	4P	LC1DT200A		

Power connection accessories

Description	Use	Reference
Terminal block	For supply to one or more GV2G busbar sets	GV1G09
Set of 63 A busbars for paralleling of contactors	2 contactors LC1D09...D18 or D25...D38	GV2G245
	4 contactors LC1D09...D18 or D25...D38	GV2G445
Set of 115 A busbars for paralleling of contactors	2 contactors LC1D40A...D80A	GV3G264
	3 contactors LC1D40A...D80A	GV3G364 ⁽²⁾
Set of S-shape busbars	For circuit breakers GV3P●● and GV3L●● ⁽³⁾ and contactors LC1D40A...D65A	GV3S

Protection accessories

Description	Use	Sold in lots of	Reference
Sealing cover	For LADT, LADR	1	LA9D901
Safety cover preventing access to the moving contact carrier	LC1D09...D80A and DT60A...DT80A	1	LAD9ET1
	Red cover (for safety chain indication)	1	LAD9ET1S
	Red cover (for safety chain indication) for LC1D80 and D95	1	LAD9ET3S
	LC1D115A...D150A, LC1DT200A	1	LAD9ET5
	Red cover (for safety chain indication)	1	LAD9ET5S

Marking accessories

Description	Use	Sold in lots of	Unit reference
Sheet of 112 blank legends, self-adhesive, 8 x 12 mm ⁽⁴⁾	LADN (2 contacts), LADT, LADR, LRD	10	LAD22
Marker holder snap-in, 8 x 22 mm	4-pole contactors, LC1D80 and D95, LA6DK, LC1D115A...D150A, LC1DT200A	100	LA9D92
Marker holder snap-in, 8 x 18 mm	LC1D09...D65A, LC1DT60A...DT80A, LADN (4 contacts), LADT, LADR	100	LAD90
Bag of 300 blank legends self-adhesive, 7 x 21 mm	On holder LA9D92	1	LA9D93

Mounting accessories

Description	Use	Sold in lots of	Reference
Retrofit plate for screw fixing	For replacement of LC1D40 to D80 with LC1D40A to D80A	1	LAD7X3
	For replacement of LC1D115 or D150 with LC1D115A or LC1D150A	1	LAD9150RFB1
	For replacement of LC2D115 or D150 with LC1D115A or LC1D150A	1	LAD9150RFB2
Retrofit connection terminal for bar upstream & downstream	For terminal adaptation from LC1D1156 or D1506 to LC1D115A6 or 150A6	1	LAD9150RFT
Size 4 Allen key, insulated, 1000 V	For use on contactors LC1D40A to LC1D150A	5	LADALLEN4

⁽¹⁾ The use of phase separators is mandatory for operational voltages $U_e \geq 690$ V.

⁽²⁾ With this set of busbars, any one contactor can be supplied directly by its EverLink® double cage power terminal block. The other two contactors are supplied by the busbar set. The 115 A limitation is therefore applied to these two contactors. Example: 1 LC1D65A supplied directly + 1 contactor LC1D65A and 1 contactor LC1D50A supplied via the busbar set = 115 A. This combination is compatible with busbar set GV3G364.

⁽³⁾ With 73 A current limit for GV3L73, GV3P73.

⁽⁴⁾ These legends are for sticking onto the safety cover of the contactors or add-on block, if fitted.

TeSys Control

Deca Advanced, Deca Contactors - Assembly Kits

Product references



Dimensions:
p. B8/103 to B8/105

Schemes:
p. B8/111 to B8/112



For 3-pole reversing contactors for motor control

Contactors with screw clamp terminals or connectors. Horizontally mounted, assembled by customer.

Description	For contactors ⁽¹⁾ (2 identical contactors)	Reference
Kits for assembly of reversing contactors		
Kit comprising: ■ a mechanical interlock LAD9V2 with electrical interlocking LAD9V1 ■ a set of power connections LAD9V5 (parallel) and LAD9V6 (reversing).	LC1D09 to D38	LAD9R1V
Kit comprising: ■ a mechanical interlock LAD9V2 without electrical interlocking ■ a set of power connections LAD9V5 (parallel) and LAD9V6 (reversing).	LC1D09 to D38	LAD9R1
Kit comprising: ■ a mechanical interlock LAD4CM ■ a set of power connections LA9D65A69 .	LC1D40A to D80A	LAD9R3

Mechanical interlocks

Mechanical interlock with integral electrical interlocking	LC1D80 and D95 (~)	LA9D4002
	LC1D80 and D95 (---)	LA9D8002
Mechanical interlock without integral electrical interlocking	LC1D09 to D38	LAD9V2
	LC1D40A to D80A	LAD4CM
	LC1D80 and D95 (~)	LA9D50978
	LC1D80 and D95 (---)	LA9D80978
	LC1D115A and D150A	LAD5CM

Sets of power connections

Comprising: ■ a set of parallel bars ■ a set of reverser bars.	LC1D09 to D38 with screw clamp terminals or connectors	LAD9V5 + LAD9V6
	LC1D09...D32 with spring terminal connections	LAD9V12 + LAD9V13 ⁽²⁾
	LC1D40A to D80A	LA9D65A69
	LC1D80 and D95 (~)	LA9D8069
	LC1D80 and D95 (---)	LA9D8069
	LC1D115A and D150A	LAD9150369

For star-delta starter

Description	For contactors	Kit with timer	Kit without timer LADS2
Kits for assembly of Star-Delta contactors			
Mounting kit comprising: ■ 1 time delay contact block LADS2 (LC1D09...D95) , ■ power circuit connections (LC1D09...D95), ■ hardware required for fixing the contactors onto the mounting plate (LC1D80 & D95), ■ mechanical interlocks, ■ electrical interlocks.	LC1D09 to D38 ⁽³⁾	LAD91217	LAD91218
	LC1D25 to D38 ⁽⁴⁾	LAD93217	LAD93218
	LC1D40A to D80A	LAD9SD3 ⁽⁶⁾	–
	LC1D50 to D80 ⁽⁵⁾	LA9D8017 ⁽⁹⁾	–
	LC1D80 & D95 ⁽⁶⁾	LA9D8018 ⁽⁸⁾	–
Equipment mounting plates	LC1D09 to D38	LA9D12974	
	LC1D40A to D80A	–	
	LC1D80	LA9D80973	

Mechanical interlocks

Mechanical interlock without integral electrical interlocking	LC1D09 to D38	LAD9V2
	LC1D40A to D80A	LAD4CM
	LC1D115A and D150A	LAD5CM

Sets of power connections

Comprising: ■ a short circuit bar	LC1D40A to D150A ⁽⁵⁾	LAD9150SD17
■ 2 sets of reverser bars.	LC1D115A and D150A ⁽³⁾	LAD9150SD19

(1) To order the 2 contactors: see pages B8/29 and B8/36.

(2) To assemble a reversing contactor with spring terminal connections, the following components must be ordered:

- 1 mechanical interlock **LAD9V2**,

- 1 upstream power connection kit and 1 downstream power connection kit.

Upstream power connection kit **LAD9V10**: installed in the Quickfit system with power connection module **LAD341**.

(If module **LAD341** is not used, replace **LAD9V10** with **LAD9V12**).

Downstream power connection kit **LAD9V11**: installed in the Quickfit system with outgoing terminal block **LAD331**.

(If **LAD331** is not used, replace **LAD9V11** with **LAD9V13**).

(3) For assembly of 3 contactors of the same physical size (depth).

(4) For assembly of Main + Delta contactors **LC1D25** to **LC1D38** with Star contactor **LC1D09** to **LC1D18**.

(5) For assembly of Main + Delta contactors **LC1D80** with Star contactor **LC1D50** or **D65**.

(6) For assembly of 3 x **LC1D80** or 3 x **LC1D95** or with Main + Delta contactors **LC1D95** with Star contactor **LC1D80**.

(7) For assembly of Main + Delta contactors **LC1D115A** to **LC1D150A** with Star contactor **LC1D40A** to **LC1D65A**.

(8) Without electrical interlocks.

(9) Without electrical and without mechanical interlocks.



Dimensions:
p. B8/107 to B8/108

Schemes:
p. B8/114 to B8/115

For 4-pole changeover contactor pairs (3-phase distribution + neutral)

Contactors with screw clamp terminals or connectors. Horizontally mounted, assembled by customer.

Description	For contactors ⁽¹⁾ (2 identical contactors)	Reference
Kits for assembly of changeover contactor pairs		
Kit comprising: ■ a mechanical interlock LAD9V2 with electrical interlocking LAD9V1, ■ a set of power connections (changeover) LAD9V7.	LC1DT20 to DT40 with screw clamps or connectors	LADT9R1V
Kit comprising: ■ a mechanical interlock LAD9V2 without electrical interlocking, ■ a set of power connections (changeover) LAD9V7.	LC1DT20 to DT40 with screw clamps or connectors	LADT9R1

LADT9R1V_image.eps



LADT9R1V

LA9D50978.eps



LA9D50978

LA9D8070.eps



LA9D8070

Mechanical interlocks

With integral electrical interlocking	LC1D80004	LA9D4002
	LP1D80004	LA9D8002
Without integral electrical interlocking	LC1DT20 to DT40 with screw clamps or connectors	LAD9V2 ⁽²⁾
	LC1DT203 to DT403 with spring terminals	LAD9V2 ⁽²⁾
	LC1DT60A and DT80A	LAD4CM
	LC1D80004	LA9D50978
	LP1D80004	LA9D80978
	LC1DT200A	LAD5CM

Sets of power connections

Comprising a set of parallel bars	LC1D80004	LA9D8070 ⁽²⁾
	LP1D80004	LA9D8070 ⁽²⁾
	LC1DT200A	LAD9115471

For 3-pole changeover contactor pairs

Contactors with screw clamp terminals or connectors. Horizontally mounted, assembled by customer.

Description	For contactors ⁽¹⁾ (2 identical contactors)	Reference
Kits for assembly of changeover contactor pairs		
Kit comprising: ■ a mechanical interlock LAD4CM ■ a set of parallel bars LA9D65A6	LC1D40A...D80A	LAD9R3S
Mechanical interlocks		
Without integral electrical interlocking	LC1D40A...D80A	LAD4CM
	LC1D115A and D150A	LAD5CM
Sets of power connections		
Comprising a set of parallel bars	LC1D40A...D80A	LA9D65A6
	LC1D115A and D150A	LAD9150371

LAD9R3S.eps



LAD9R3S

⁽¹⁾ To order the 2 contactors: see pages B8/29 and B8/36.

⁽²⁾ Order 2 contact blocks LADN●1 to build the electrical interlock, see page B8/43.

Control module

Wide band electronic control
24 V...500 V 50/60 Hz or DC control input
Accessible for easy and quick replacement

The range of control modules is organized:

- per contactor size and for each rating,
- per control voltage range.

Control modules

Description	For contactors	References per voltage range (V AC/DC)				
		24...60	48...130	100...250	200...500	
Control modules	3-pole	LC1D115A...D150A	LX1D83BNE	LX1D83EHE	LX1D83KUE	LX1D83LSE
	4-pole	LC1DT200A	LX1D84BNE	LX1D84EHE	LX1D84KUE	LX1D84LSE



LX1D83BNE



LX1D84BNE

Replaceable switching modules

- Replace worn-out poles with a new switching module in minutes, without having to disassemble the whole product
- No special tools are needed for the replacement.

Switching modules for TeSys Deca Advanced contactors

Description	For contactors	Quantity Set of	Reference
3 or 4 switching module kits	3-pole	1	LA5D1153SM
		1	LA5D1503SM
	4-pole	1	LA5D1154SM



LA5D1153SM



PB121383.eps

LXD1●●

AC coils for ~ contactors LC1D09...D38 and LC1DT20...DT40

Specifications

Average consumption at 20 °C:

- inrush (cos ϕ = 0.75) 70 VA,
- sealed (cos ϕ = 0.3) 50 Hz: 7 VA, 60 Hz: 7.5 VA.

Operating range ($\theta \leq 60$ °C): 50 Hz: 0.8...1.1 Uc, 60 Hz: 0.85...1.1 Uc.

Control circuit voltage Uc	Average resistance at 20 °C ± 10 %	Inductance of closed circuit	Reference ⁽¹⁾
V	Ω	H	
12	1.33	0.05	LXD1J7
24	5.37	0.22	LXD1B7
32	10.1	0.39	LXD1C7
42	17	0.67	LXD1D7
48	21.7	0.87	LXD1E7
110	138.3	4.6	LXD1F7
115	129.8	5	LXD1FE7
120	150.6	5.4	LXD1G7
200	410.7	15	LXD1L7
208	430.4	16	LXD1LE7
220	574.7	18	LXD1M7 ⁽²⁾
230	600.6	20	LXD1P7
240	627	22	LXD1U7
277	800.7	29	LXD1W7
380	1551	55	LXD1Q7 ⁽³⁾
400	1633	60	LXD1V7
415	1694	65	LXD1N7
440	1993	73	LXD1R7
480	2398	87	LXD1T7
500	2499	95	LXD1S7
575	3294	125	LXD1SC7
600	3810	136	LXD1X7
660	4656	165	LXD1YC7
690	5020	180	LXD1Y7

⁽¹⁾ The last 2 digits in the reference represent the voltage code.

⁽²⁾ Suitable for use on 230 V / 50 Hz. In this case, apply a coefficient of 0.6 to the mechanical durability of the contactor (see pages B8/86 and B8/88).

⁽³⁾ Suitable for use on 400 V / 50 Hz. In this case, apply a coefficient of 0.6 to the mechanical durability of the contactor (see pages B8/86 and B8/88).



PB121384.eps

LXD3●●

AC coils for ~ contactors LC1D40A...D80A, LC1DT60A and LC1DT80A

Specifications

Average consumption at 20 °C:

- inrush ($\cos \phi = 0.75$) 160 VA,
- sealed ($\cos \phi = 0.3$) 50 Hz: 15 VA, 60 Hz: 15 VA.

Operating range ($\theta \leq 60$ °C): 50 Hz: 0.8...1.1 Uc, 60 Hz: 0.85...1.1 Uc.

Control circuit voltage Uc	Average resistance at 20 °C $\pm 10\%$	Inductance of closed circuit	Reference ⁽¹⁾
V	Ω	H	
			50/60 Hz
24	1.98	0.12	LXD3B7
42	6.18	0.37	LXD3D7
48	7.97	0.48	LXD3E7
110	42.28	2.50	LXD3F7
115	48.76	2.74	LXD3FE7
120	37.63	2.07	LXD3G7 ⁽²⁾
208	105	6.22	LXD3LE7 ⁽²⁾
220	182	10	LXD3M7 ⁽³⁾
230	192	10.9	LXD3P7
240	202	11.9	LXD3U7
380	512	29.9	LXD3Q7 ⁽⁴⁾
400	607	33.1	LXD3V7
415	635	35.6	LXD3N7
440	682	40.1	LXD3R7
480	607	33.1	LXD3T7 ⁽²⁾
575	1238	68.4	LXD3SC7
600	1304	74.5	LXD3X7

⁽¹⁾ The last 2 digits in the reference represent the voltage code.

⁽²⁾ This coil can only be used on 60 Hz.

⁽³⁾ Suitable for use on 230 V / 50 Hz. In this case, apply a coefficient of 0.6 to the mechanical durability of the contactor (see page B8/86 and B8/88).

⁽⁴⁾ Suitable for use on 400 V / 50 Hz. In this case, apply a coefficient of 0.6 to the mechanical durability of the contactor (see page B8/86 and B8/88).

PB121385.eps



LX1D6●●

AC coils for 3 or 4-pole contactors LC1D40, D50, D65, D80, D95

Specifications

Average consumption at 20 °C:

■ inrush ($\cos \phi = 0.75$) 50 Hz: 200 VA, 60 Hz: 220 VA

■ sealed ($\cos \phi = 0.3$) 50 Hz: 20 VA, 60 Hz: 22 VA.

Operating range ($\theta \leq 55$ °C): 0.85... 1.1 Uc.

Control circuit voltage Uc	Average resistance at 20°C ±10 %	Inductance of closed circuit H	Reference ⁽¹⁾	Average resistance at 20 °C ±10 %		Inductance of closed circuit H	Reference ⁽¹⁾	
				Ω	Ω			
				50 Hz			60 Hz	
24	1.4	0.09	LX1D6B5	1.05	0.06		LX1D6B6	
110	31	1.9	LX1D6F5	22	1.2			
115	31	1.9	LX1D6FE5	–	–			
208	–	–	–	86	4.3		LX1D6L6	
220	–	–	–	98	4.8		LX1D6M6	
220/230	127	7.5	LX1D6M5	–	–			
240	152	8.7	LX1D6U5	120	5.7		LX1D6U6	
380	–	–	–	300	14		LX1D6Q6	
440	513	30	LX1D6R5	392	19			
480	–	–	–	480	23		LX1D6T6	

Specifications

Average consumption at 20 °C:

■ inrush ($\cos \phi = 0.75$) 50/60 Hz: 245 VA at 50 Hz

■ sealed ($\cos \phi = 0.3$) 50/60 Hz: 26 VA at 50 Hz.

Operating range ($\theta \leq 55$ °C): 0.85... 1.1 Uc.

				50/60 Hz		
24	–	–	–	1.22	0.08	LX1D6B7
48	–	–	–	5	0.32	LX1D6E7
110	–	–	–	26	1.7	LX1D6F7
120	–	–	–	32	2	LX1D6G7
220/230 ⁽²⁾	–	–	–	102	6.7	LX1D6M7
230	–	–	–	115	7.7	LX1D6P7
230/240 ⁽³⁾	–	–	–	131	8.3	LX1D6U7
380/400 ⁽⁴⁾	–	–	–	310	20	LX1D6Q7
400	–	–	–	349	23	LX1D6V7
415	–	–	–	390	24	LX1D6N7
440	–	–	–	410	27	LX1D6R7

(1) The last 2 digits in the reference represent the voltage code.

(2) For use on 230 V / 50 Hz, apply a coefficient of 0.6 to the mechanical durability of the contactor, see page B8/86 and B8/88. This coil can be used on 240 V at 60 Hz.

(3) This coil can be used on 220/240 V at 50 Hz and on 240 V only at 60 Hz.

(4) For use on 400 V / 50 Hz, apply a coefficient of 0.6 to the mechanical durability of the contactor, see page B8/86 and B8/88.

DC coils for 3-pole contactors LC1D80 or 4-pole contactors LP1D80

Specifications

Average consumption: 22 W.

Operating range: 0.85...1.1 Uc.

Control circuit voltage Uc	Average resistance at 20 °C ± 10%	Inductance of closed circuit	Reference ⁽¹⁾	Weight
V	Ω	H		kg
12	6.6	0.46	LX4D7JD	0.680
24	27	1.89	LX4D7BD	0.680

⁽¹⁾ The last 2 digits in the reference represent the voltage code.

PB121387.jpg



LX4D7JD

TeSys Control Modular Contactors

Product references



Characteristics:
p. B8/117 to B8/123

Dimensions:
p. B8/124 to B8/125

Schemes:
p. B8/126

PB113075_12.eps



GC2520M5

PB113075_16.eps



GC4040M5

PB113079_24.eps



GC10020M5

Modular Contactors - 17.5 mm pitch for modular panels

No. of poles	d	Number of 17.5 mm modules	Commercial reference 50 Hz coil - different voltages					Sold in lots of
			12 V	24 V	48 V	110 V	220/240 V	
Maximum current rating category AC-7a - 16 A								
1	—	1	—	—	—	—	GC1610M5 ★ 12	
1	1	1	—	—	—	—	GC1611M5 ★ 12	
2	—	1	—	GC1620B5	—	GC1620F5 ★	GC1620M5 ★ 12	
2	2	2	—	—	—	—	GC1622M5 6	
3	—	2	—	—	—	—	GC1630M5 ★ 6	
4	—	2	—	—	—	—	GC1640M5 ★ 6	
Maximum current rating category AC-7a - 25 A								
—	2	1	—	GC2502B5	—	—	GC2502M5 ★ 12	
—	4	2	—	—	—	—	GC2504M5 ★ 6	
1	—	1	—	—	—	—	GC2510M5 ★ 12	
1	1	1	—	—	—	—	GC2511M5 ★ 12	
2	—	1	—	GC2520B5	—	—	GC2520M5 ★ 12	
2	2	2	—	—	—	—	GC2522M5 ★ 6	
3	—	2	—	—	—	—	GC2530M5 ★ 6	
4	—	2	—	—	—	—	GC2540M5 ★ 6	
Maximum current rating category AC-7a - 40 A								
—	2	2	—	—	—	—	GC4002M5 ★ 6	
—	4	3	—	—	—	—	GC4004M5 4	
2	—	2	—	—	—	—	GC4020M5 ★ 6	
2	2	3	—	—	—	—	GC4022M5 4	
3	—	3	—	—	—	—	GC4030M5 ★ 4	
4	—	3	—	—	—	—	GC4040M5 ★ 4	
Maximum current rating category AC-7a - 63 A								
2	—	2	—	—	—	—	GC6320M5 6	
3	—	3	—	—	—	—	GC6330M5 ★ 4	
4	—	3	—	—	—	—	GC6340M5 ★ 4	
Maximum current rating category AC-7a - 100 A								
2	—	3	—	—	—	—	GC10020M5 4	
4	—	6	—	—	—	—	GC10040M5 ★ 2	

★ for 60 Hz coil replace last figure 5 by 6.

TeSys Control

Modular "Dual Tariff" Contactors

Product references



Characteristics:
p. B8/127 to B8/129

Dimensions:
p. B8/130 to B8/131

Schemes:
p. B8/131



GY2520M5



GY6340M5

Modular "dual tariff" contactors - 17.5 mm pitch for modular panels

No. of poles	Number of 17.5 mm modules	Commercial reference 50 Hz coil - different voltages					Sold in lots of
		12 V	24 V	48 V	110 V	220/240 V	
Maximum current rating category AC-7a - 16 A							
2	1	–	GY1620B5	–	–	–	12
Maximum current rating category AC-7a - 25 A							
2	1	–	–	–	–	GY2520M5 ★	12
4	2	–	–	–	–	GY2540M5	6
Maximum current rating category AC-7a - 40 A							
2	2	–	–	–	–	GY4020M5	6
4	3	–	–	–	–	GY4040M5	4
Maximum current rating category AC-7a - 63 A							
2	2	–	–	–	–	GY6320M5	6
4	3	–	–	–	–	GY6340M5	4

★ for 60 Hz coil replace last figure 5 by 6.

TeSys Control

Modular Impulse Relays

Product references



Characteristics:
p. B8/132 to B8/135

Dimensions:
p. B8/136

Schemes:
p. B8/136

PB123696.eps



GF1620U7

Modular impulse relays - 17.5 mm pitch for modular panels

Maximum current rating category AC-1	Composition	Coil voltages		Sold in lots of	Unit reference
		~ 50/60 Hz	DC		
16	2 -	V	V	12	GF1620U7
		230/240	110		
	1 1	24	12	12	GF1611B7
		220	-		
		230/240	110	12	GF1611U7

TeSys Control

Modular Contactors - Accessories

Product references



Dimensions:
p. B8/125

Schemes:
p. B8/126



PB119093_13.eps

GAP23



PB104483-40.eps

GAC5



PB104486_34.eps

A9A15922



PB104487_48.eps

A9A15923


Instantaneous auxiliary contact blocks

Number of contacts	Number of poles			Reference
2				
	1	1	-	GAC0521
	-	2	-	GAC0531
-	-	1		GAC0511


Accessories

Description	For use on contactor	Number of modules	Operational voltage in V	Sold in lots of	Unit reference
Coil suppression blocks comprising 2 RC circuits	-	1	12...48	1	GAP21
			110...240	1	GAP23
Ventilation 1/2 module clips onto rail	-	1/2	-	10	GAC5
Set of screw shields (10 top parts + 10 bottom parts)	40 or 63 A	2	-	1	A9A15922
	40 or 63 A	3	-	1	A9A15923
					3 or 4 contacts


DPE09P7	GF1611M7	LA4DB3B	LA9D3269	LAD4VU	LAD9P32
DPE12P7	GF1611U7	LA4DB3S	LA9D32974	LAD5CM	LAD9P33
DPE1801P7	GF1620B7	LA4DBL	LA9D4002	LAD6K10B	LAD9R1
DPE18P7	GF1620F7	LA4DC1U	LA9D40961	LAD6K10E	LAD9R11
DPE2501P7	GF1620U7	LA4DC3U	LA9D40963	LAD6K10F	LAD9R1V
DPE25P7	GS2AH4120F	LA4DE1E	LA9D5017	LAD6K10J	LAD9R3
DPE32B7	GV1G09	LA4DE1G	LA9D50978	LAD6K10K	LAD9R3S
DPE32P7	GV2G05	LA4DE1U	LA9D511	LAD6K10M	LAD9SD3
GAC0511	GV2G245	LA4DE2E	LA9D6567	LAD6K20B	LAD9SD3S
GAC0521	GV2G254	LA4DE2G	LA9D6569	LAD6K20E	LAD9V1
GAC0531	GV2G272	LA4DE2U	LA9D65A6	LAD6K20F	LAD9V10
GAC5	GV2G345	LA4DE3E	LA9D65A69	LAD6K20J	LAD9V11
GAP21	GV2G354	LA4DE3U	LA9D730	LAD6K20M	LAD9V12
GAP23	GV2G445	LA4DFB	LA9D8002	LAD6K20Q	LAD9V13
GC10020M5	GV2G454	LA4DT0U	LA9D8017	LAD7X3	LAD9V14
GC10040M5	GV2G472	LA4DT2U	LA9D8018	LAD8N02	LAD9V15
GC1610M5	GV2G554	LA4DT4U	LA9D8067	LAD8N026	LAD9V16
GC1611B5	GV3G264	LA4DWB	LA9D8069	LAD8N11	LAD9V17
GC1611F5	GV3G364	LA4KA1U	LA9D80691	LAD8N116	LAD9V2
GC1611M5	GV3S	LA4KC1B	LA9D8070	LAD8N11G	LAD9V5
GC1620B5	GY1620B5	LA4KC1E	LA9D8079	LAD8N20	LAD9V6
GC1620D7	GY1620M5	LA4KC2B	LA9D80961	LAD8N206	LAD9VP1
GC1620F5	GY2520M5	LA4KE1B	LA9D80962	LAD90	LAD9VP2
GC1620M5	GY2520M6	LA4KE1E	LA9D80963	LAD901	LAD9VP3
GC1620M6	GY2540M5	LA4KE1FC	LA9D80973	LAD9011	LAD9VP4
GC1622F5	GY4020M5	LA4KE1UG	LA9D80978	LAD903	LADALLEN4
GC1622M5	GY4040M5	LA4SKC1U	LA9D894	LAD904	LADC22
GC1630M5	GY6320M5	LA4SKE1E	LA9D898	LAD9ET5	LADC223
GC1640F5	GY6340M5	LA4SKE1U	LA9D90	LAD9ET5S	LADC226
GC1640M5	LA1DX02	LA5D1153SM	LA9D901	LAD911546	LADN01
GC2502B5	LA1DX11	LA5D1154SM	LA9D92	LAD91154A	LADN02
GC2502E5	LA1DX20	LA5D11550	LA9D93	LAD9115470	LADN023
GC2502M5	LA1DY20	LA5D1158031	LA9D99	LAD9115471	LADN026
GC2504B5	LA1DZ31	LA5D115804	LA9E01	LAD91154111	LADN04
GC2504M5	LA1DZ40	LA5D150803	LA9E02	LAD91209	LADN043
GC2510B5	LA1KN02	LA5D1503SM	LA9K0969	LAD91217	LADN046
GC2510M5	LA1KN023	LA6DK10C	LA9K105I	LAD91218	LADN10
GC2511M5	LA1KN02M	LA6DK10J	LA9K105S	LAD912GV	LADN11
GC2520B5	LA1KN04	LA6DK10U	LA9KNS35	LAD915036	LADN11R
GC2520F6	LA1KN043	LA6DK20B	LAD21	LAD91503A	LADN113
GC2520J5	LA1KN11	LA6DK20E	LAD22	LAD9150370	LADN113G
GC2520M5	LA1KN113	LA6DK20F	LAD4BB	LAD9150RFT	LADN113P
GC2520M6	LA1KN11M	LA6DK20J	LAD4BB3	LAD9150RFB1	LADN116
GC2522B5	LA1KN13	LA6DK20M	LAD4BBVE	LAD9150RFB2	LADN11G
GC2522M5	LA1KN133	LA6DK20Q	LAD4BBVG	LAD9150369	LADN11P
GC2530F5	LA1KN20	LA7D902	LAD4BBVU	LAD9150SD17	LADN13
GC2530M5	LA1KN203	LA9D0921	LAD4CM	LAD9150SD19	LADN133
GC2530M6	LA1KN207	LA9D09976	LAD4D3U	LAD9150371	LADN136
GC2531M5	LA1KN22	LA9D09980	LAD4DDL	LAD91503111	LADN13G
GC2540E5	LA1KN223	LA9D09981	LAD4RC3E	LAD91503211	LADN13P
GC2540M5	LA1KN22M	LA9D11502	LAD4RC3G	LAD92560	LADN20
GC2540M6	LA1KN31	LA9D11517	LAD4RC3N	LAD93217	LADN20R
GC4002M5	LA1KN313	LA9D115603	LAD4RC3U	LAD93218	LADN203
GC4004M5	LA1KN316	LA9D115604	LAD4RCCE	LAD96061	LADN206
GC4011M5	LA1KN317	LA9D11567	LAD4RCG	LAD96560	LADN22
GC4020F5	LA1KN31M	LA9D11569	LAD4RCU	LAD96566	LADN22R
GC4020F6	LA1KN40	LA9D115691	LAD4T3B	LAD96570	LADN223
GC4020M5	LA1KN403	LA9D115692	LAD4T3G	LAD96575	LADN223G
GC4020M6	LA1KN407	LA9D11570	LAD4T3R	LAD96580	LADN226
GC4022M5	LA1SK01	LA9D115703	LAD4T3S	LAD9722	LADN22G
GC4030M5	LA1SK02	LA9D115704	LAD4T3U	LAD9723	LADN22P
GC4040M5	LA1SK11	LA9D11571	LAD4TB	LAD9744	LADN22S
GC4040M6	LA1SK20	LA9D1263	LAD4TBDL	LAD9BB18	LADN31
GC6302M5	LA2KT2E	LA9D1269	LAD4TGDL	LAD9BB32	LADN31R
GC6304B5	LA2KT2U	LA9D12974	LAD4TDS	LAD9DL3	LADN313
GC6304M5	LA4DA1E	LA9D15017	LAD4TSDL	LAD9ET1	LADN313G
GC6320M5	LA4DA1G	LA9D16906	LAD4TUUDL	LAD9ET1S	LADN316
GC6330M5	LA4DA1U	LA9D1860	LAD4V3E	LAD9ET2	LADN31G
GC6330M6	LA4DA2E	LA9D1869	LAD4V3G	LAD9ET3S	LADN31P
GC6340B5	LA4DA2G	LA9D2561	LAD4V3U	LAD9ET4	LADN40
GC6340M5	LA4DA2N	LA9D2569	LAD4VE	LAD9ET4S	LADN40R
GF1611B7	LA4DA2U	LA9D3260	LAD4VG	LAD9P3	LADN403

This document is current.  Click on the product reference to get the most recent availability status (hyperlink to [se.com](https://www.se.com) product datasheet). If your product variant is no longer available, please consult your distributor or regional sales office.

LADN403G	LC1D098CD	LC1D126ED	LC1D12V7	LC1D18JL	LC1D25D7
LADN406	LC1D098E7	LC1D126F7	LC1D12X7	LC1D18K7	LC1D25E5
LADN40G	LC1D098ED	LC1D126FD	LC1D12Y7	LC1D18KUE	LC1D25E7
LADRO	LC1D098F7	LC1D126FL	LC1D12Z7	LC1D18L7	LC1D25ED
LADR03	LC1D098FD	LC1D126G7	LC1D183B7	LC1D18LE7	LC1D25EHE
LADRO6	LC1D098G7	LC1D126KD	LC1D183BD	LC1D18M7	LC1D25EL
LADR2	LC1D098JD	LC1D126L7	LC1D183BL	LC1D18MD	LC1D25F7
LADR23	LC1D098M7	LC1D126M7	LC1D183E7	LC1D18ML	LC1D25FC7
LADR26	LC1D098MD	LC1D126SD	LC1D183ED	LC1D18N7	LC1D25FD
LADR4	LC1D098P7	LC1D1283V7	LC1D183F7	LC1D18ND	LC1D25FE7
LADR43	LC1D098U7	LC1D1286FD	LC1D183FE7	LC1D18P5	LC1D25FL
LADR46	LC1D099F7	LC1D1286G7	LC1D183FL	LC1D18P7	LC1D25G7
LADS2	LC1D099G7	LC1D1286L7	LC1D183G7	LC1D18Q7	LC1D25GD
LADS23	LC1D09B5	LC1D1286LE7	LC1D183M7	LC1D18R7	LC1D25JD
LADS26	LC1D09B7	LC1D1286P7	LC1D183MD	LC1D18SC7	LC1D25JL
LADT0	LC1D09BD	LC1D1286U7	LC1D183P7	LC1D18SD	LC1D25KUE
LADT03	LC1D09BL	LC1D128B7	LC1D183U7	LC1D18T7	LC1D25L7
LADT06	LC1D09BNE	LC1D128BD	LC1D186B7	LC1D18U7	LC1D25LE7
LADT2	LC1D09C7	LC1D128BL	LC1D186BD	LC1D18V7	LC1D25M7
LADT23	LC1D09CD	LC1D128CD	LC1D186BL	LC1D253B7	LC1D25MD
LADT26	LC1D09D5	LC1D128D7	LC1D186BLJP	LC1D253BD	LC1D25N7
LADT4	LC1D09D7	LC1D128E7	LC1D186E7	LC1D253BL	LC1D25ND
LADT46	LC1D09E5	LC1D128ED	LC1D186EL	LC1D253E7	LC1D25P5
LADT9R1	LC1D09E7	LC1D128EL	LC1D186F7	LC1D253F7	LC1D25P7
LADT9R1V	LC1D09ED	LC1D128F7	LC1D186FD	LC1D253FD	LC1D25Q7
LAZR90M	LC1D09EE7	LC1D128FD	LC1D186G7	LC1D253M7	LC1D25R7
LAZR90Q	LC1D09EHE	LC1D128G7	LC1D186K7	LC1D253MD	LC1D25S7
LAZR91F	LC1D09EL	LC1D128L7	LC1D186L7	LC1D253P7	LC1D25SC7
LC1D066BD	LC1D09F7	LC1D128M7	LC1D186M7	LC1D253R7	LC1D25SD
LC1D066F7	LC1D09FC7	LC1D128MD	LC1D186ND	LC1D253V7	LC1D25T7
LC1D066M7	LC1D09FD	LC1D128P7	LC1D186P7	LC1D256B7	LC1D25U7
LC1D06P7	LC1D09FE7	LC1D128RD	LC1D186R7	LC1D256BD	LC1D25UD
LC1D093B7	LC1D09FL	LC1D128T7	LC1D186SD	LC1D256BL	LC1D25V7
LC1D093BD	LC1D09G7	LC1D128U7	LC1D186SL	LC1D256F7	LC1D25X7
LC1D093BL	LC1D09GD	LC1D129SD	LC1D186U7	LC1D256FD	LC1D323B7
LC1D093E7	LC1D09JD	LC1D12B5	LC1D1883P7	LC1D256G7	LC1D323BD
LC1D093ED	LC1D09JL	LC1D12B7	LC1D188B7	LC1D256K7	LC1D323BL
LC1D093F7	LC1D09K7	LC1D12BD	LC1D188BD	LC1D256KD	LC1D323ED
LC1D093FD	LC1D09KUE	LC1D12BL	LC1D188BL	LC1D256L7	LC1D323F7
LC1D093FE7	LC1D09L7	LC1D12BNE	LC1D188D7	LC1D256M7	LC1D323FE7
LC1D093FL	LC1D09LE7	LC1D12C7	LC1D188E7	LC1D256P7	LC1D323FL
LC1D093G7	LC1D09M7	LC1D12CD	LC1D188ED	LC1D256U7	LC1D323M7
LC1D093GD	LC1D09MD	LC1D12D5	LC1D188F7	LC1D2583P7	LC1D323MD
LC1D093M7	LC1D09N7	LC1D12D7	LC1D188FD	LC1D2586BD	LC1D323P7
LC1D093MD	LC1D09ND	LC1D12E5	LC1D188G7	LC1D2586F7	LC1D326B7
LC1D093N7	LC1D09P5	LC1D12E7	LC1D188M7	LC1D2586FD	LC1D326BD
LC1D093ND	LC1D09P7	LC1D12ED	LC1D188MD	LC1D258B7	LC1D326BL
LC1D093P7	LC1D09Q7	LC1D12EHE	LC1D188P7	LC1D258BD	LC1D326F7
LC1D093U7	LC1D09R7	LC1D12EL	LC1D188U7	LC1D258BL	LC1D326FD
LC1D096B7	LC1D09RD	LC1D12F7	LC1D18B5	LC1D258C7	LC1D326G7
LC1D096BD	LC1D09SD	LC1D12FD	LC1D18B7	LC1D258D7	LC1D326GD
LC1D096BL	LC1D09T7	LC1D12FE7	LC1D18BD	LC1D258E7	LC1D326K7
LC1D096CD	LC1D09U7	LC1D12G7	LC1D18BL	LC1D258ED	LC1D326KD
LC1D096F7	LC1D09UD	LC1D12GD	LC1D18BNE	LC1D258F7	LC1D326L7
LC1D096FD	LC1D09V7	LC1D12JD	LC1D18C7	LC1D258FD	LC1D326M7
LC1D096FL	LC1D09W7	LC1D12JL	LC1D18CD	LC1D258FE7	LC1D326P7
LC1D096G7	LC1D09X7	LC1D12K7	LC1D18D5	LC1D258G7	LC1D326R7
LC1D096KD	LC1D09Y7	LC1D12KUE	LC1D18D7	LC1D258GD	LC1D32B5
LC1D096L7	LC1D123B7	LC1D12L7	LC1D18E5	LC1D258M7	LC1D32B7
LC1D096M7	LC1D123BD	LC1D12LE7	LC1D18E7	LC1D258MD	LC1D32BD
LC1D096MD	LC1D123BL	LC1D12M7	LC1D18ED	LC1D258P7	LC1D32BL
LC1D096ND	LC1D123E7	LC1D12MD	LC1D18EHE	LC1D258SD	LC1D32BNE
LC1D096P7	LC1D123ED	LC1D12N7	LC1D18EL	LC1D258U7	LC1D32C7
LC1D096Q7	LC1D123F7	LC1D12ND	LC1D18F7	LC1D258V7	LC1D32D5
LC1D096R7	LC1D123FD	LC1D12P5	LC1D18FC7	LC1D25B5	LC1D32D7
LC1D096SD	LC1D123G7	LC1D12P7	LC1D18FD	LC1D25B7	LC1D32E5
LC1D096SL	LC1D123M7	LC1D12Q7	LC1D18FE7	LC1D25BD	LC1D32E7
LC1D0986FD	LC1D123P7	LC1D12R7	LC1D18FL	LC1D25BL	LC1D32ED
LC1D098B7	LC1D123V7	LC1D12RD	LC1D18G7	LC1D25BNE	LC1D32EHE
LC1D098BD	LC1D126B7	LC1D12SD	LC1D18GD	LC1D25C7	LC1D32EL
LC1D098BL	LC1D126BD	LC1D12T7	LC1D18J7	LC1D25CD	LC1D32F7
	LC1D126BL	LC1D12U7	LC1D18JD	LC1D25D5	LC1D32FC7


This document is current.  Click on the product reference to get the most recent availability status (hyperlink to [se.com](https://www.se.com) product datasheet). If your product variant is no longer available, please consult your distributor or regional sales office.

LC1D32FD	LC1D40004F7	LC1D40AU7	LC1D50AR7	LC1D65ABNE	LC1D806BD
LC1D32FE7	LC1D40004G6	LC1D40AU7C	LC1D50ASD	LC1D65ACD	LC1D806F5
LC1D32FL	LC1D40004M7	LC1D40AV7	LC1D50AT7	LC1D65AD5	LC1D806F7
LC1D32G7	LC1D40004P7	LC1D40AX7	LC1D50AU7	LC1D65AD7	LC1D806FD
LC1D32GD	LC1D40008B7	LC1D40B7	LC1D50AU7C	LC1D65AE5	LC1D806FW
LC1D32JD	LC1D40008D7	LC1D40BD	LC1D50AV7	LC1D65AE7	LC1D806G7
LC1D32JL	LC1D40008E5	LC1D40D7C	LC1D50AX7	LC1D65AEHE	LC1D806K7
LC1D32K7	LC1D40008E7	LC1D40E7	LC1D50B7	LC1D65AF7	LC1D806L7
LC1D32KUE	LC1D40008F7	LC1D40ED	LC1D50BD	LC1D65AFC7	LC1D806LE7
LC1D32L7	LC1D40008G6	LC1D40F7	LC1D50E7	LC1D65AFE7	LC1D806M7
LC1D32LE7	LC1D40008G7	LC1D40G6	LC1D50ED	LC1D65AG7	LC1D806P7
LC1D32M7	LC1D40008M5	LC1D40G7M	LC1D50F7	LC1D65AJD	LC1D806VD
LC1D32MD	LC1D40008M7	LC1D40L6	LC1D50G6	LC1D65AK6	LC1D80A3B7
LC1D32ML	LC1D40008N7	LC1D40M7	LC1D50G7	LC1D65AKUE	LC1D80A3E7
LC1D32N7	LC1D40008P7	LC1D40P7	LC1D50L6	LC1D65AL7	LC1D80A3P7
LC1D32ND	LC1D40008U7	LC1D40P7C	LC1D50LE7	LC1D65ALE7	LC1D80A6BBE
LC1D32P5	LC1D406G7	LC1D40T6	LC1D50M7	LC1D65AM7	LC1D80A6BNE
LC1D32P7	LC1D40A3B7	LC1D40U7	LC1D50N7	LC1D65AN7	LC1D80A6EHE
LC1D32Q7	LC1D40A3BD	LC1D40U7M	LC1D50P7	LC1D65AP5	LC1D80A6KUE
LC1D32R7	LC1D40A3E7	LC1D475E7C	LC1D50P7C	LC1D65AP7	LC1D80A6M7
LC1D32S7	LC1D40A3F7	LC1D506FW	LC1D50T6	LC1D65AQ7	LC1D80A6P7
LC1D32SD	LC1D40A3M7	LC1D50A3BD	LC1D50U7	LC1D65AR7	LC1D80AB7
LC1D32T7	LC1D40A3MD	LC1D50A3E7	LC1D50U7C	LC1D65ASD	LC1D80ABBE
LC1D32U7	LC1D40A3ND	LC1D50A3FD	LC1D65004F7	LC1D65AT7	LC1D80ABNE
LC1D32V7	LC1D40A3P7	LC1D50A3JD	LC1D65004G6	LC1D65AU7	LC1D80AE7
LC1D32X7	LC1D40A6B7	LC1D50A3M7	LC1D65004G7	LC1D65AV7	LC1D80AEHE
LC1D32Y7	LC1D40A6BBE	LC1D50A3P7	LC1D65004P7	LC1D65AX7	LC1D80AF7
LC1D383BL	LC1D40A6BD	LC1D50A3RD	LC1D65008B7	LC1D65B7	LC1D80AF7
LC1D383E7	LC1D40A6BNE	LC1D50A6B7	LC1D65008D7	LC1D65BD	LC1D80AG7
LC1D383P7	LC1D40A6EHE	LC1D50A6BBE	LC1D65008E7	LC1D65D7C	LC1D80AKUE
LC1D386B7	LC1D40A6FD	LC1D50A6BD	LC1D65008F7	LC1D65E7	LC1D80AM7
LC1D386BD	LC1D40A6G7	LC1D50A6BNE	LC1D65008FE7	LC1D65ED	LC1D80AN7
LC1D386BL	LC1D40A6GD	LC1D50A6CD	LC1D65008G6	LC1D65F7	LC1D80AP7
LC1D386CD	LC1D40A6KUE	LC1D50A6ED	LC1D65008G7	LC1D65FD	LC1D80AQ7
LC1D386F7	LC1D40A6LE7	LC1D50A6EHE	LC1D65008L7	LC1D65G6	LC1D80AR7
LC1D386FD	LC1D40A6M7	LC1D50A6F7	LC1D65008M5	LC1D65L6	LC1D80AU7
LC1D386K7	LC1D40A6P7	LC1D50A6FD	LC1D65008M7	LC1D65M7	LC1D80AV7
LC1D386L7	LC1D40A6T7	LC1D50A6KUE	LC1D65008P7	LC1D65N7	LC1D80B5
LC1D386M7	LC1D40A6U7	LC1D50A6M7	LC1D65008R7	LC1D65P7	LC1D80B7
LC1D386MD	LC1D40A6UD	LC1D50A6P7	LC1D65008U7	LC1D65T6	LC1D80BD
LC1D386SL	LC1D40AB5	LC1D50A6SD	LC1D65008V7	LC1D65U7	LC1D80BW
LC1D38B5	LC1D40AB6	LC1D50AB5	LC1D65A3B7	LC1D800046M7	LC1D80CW
LC1D38B7	LC1D40AB7	LC1D50AB6	LC1D65A3BD	LC1D800046P7	LC1D80D7
LC1D38BD	LC1D40ABBE	LC1D50AB7	LC1D65A3E7	LC1D80004B7	LC1D80E5
LC1D38BL	LC1D40ABD	LC1D50ABBE	LC1D65A3F7	LC1D80004E7	LC1D80E7
LC1D38BNE	LC1D40ABNE	LC1D50ABD	LC1D65A3FD	LC1D80004F5	LC1D80ED
LC1D38D5	LC1D40AC7	LC1D50ABNE	LC1D65A3FE7	LC1D80004F7	LC1D80F5
LC1D38D7	LC1D40ACD	LC1D50ACD	LC1D65A3P7	LC1D80004FE7	LC1D80F7
LC1D38E5	LC1D40AD5	LC1D50AD5	LC1D65A6B7	LC1D80004G6	LC1D80FD
LC1D38E7	LC1D40AD7	LC1D50AD7	LC1D65A6BBE	LC1D80004G7	LC1D80FE7
LC1D38ED	LC1D40AE5	LC1D50AE5	LC1D65A6BD	LC1D80004M5	LC1D80FW
LC1D38EHE	LC1D40AE7	LC1D50AE7	LC1D65A6BNE	LC1D80004M7	LC1D80G6
LC1D38EL	LC1D40AEHE	LC1D50AEHE	LC1D65A6ED	LC1D80004N5	LC1D80G7
LC1D38F7	LC1D40AF7	LC1D50AF7	LC1D65A6EHE	LC1D80004N7	LC1D80G7M
LC1D38FD	LC1D40AFC7	LC1D50AFC7	LC1D65A6F7	LC1D80004P5	LC1D80GD
LC1D38FE7	LC1D40AFE7	LC1D50AFD	LC1D65A6FD	LC1D80004P7	LC1D80K7
LC1D38FL	LC1D40AG7	LC1D50AFE7	LC1D65A6G7	LC1D80004Q7	LC1D80L6
LC1D38G7	LC1D40AGD	LC1D50AG7	LC1D65A6K7	LC1D80004U5	LC1D80L7
LC1D38JD	LC1D40AJD	LC1D50AGD	LC1D65A6KUE	LC1D80004U7	LC1D80M5
LC1D38JL	LC1D40AK7	LC1D50AJ5	LC1D65A6M7	LC1D80004V7	LC1D80M7
LC1D38KUE	LC1D40AKUE	LC1D50AJD	LC1D65A6MD	LC1D80008D7	LC1D80MD
LC1D38M7	LC1D40AL7	LC1D50AK7	LC1D65A6ND	LC1D80008E7	LC1D80MW
LC1D38MD	LC1D40ALE7	LC1D50AKUE	LC1D65A6P7	LC1D80008F7	LC1D80N7
LC1D38N7	LC1D40AM7	LC1D50AL7	LC1D65A6R7	LC1D80008F7	LC1D80ND
LC1D38P5	LC1D40AN7	LC1D50ALE7	LC1D65A6SD	LC1D80008FE7	LC1D80P5
LC1D38P7	LC1D40AND	LC1D50AM7	LC1D65A6U7	LC1D80008G6	LC1D80P7
LC1D38Q7	LC1D40AP5	LC1D50AMD	LC1D65A6UD	LC1D80008G7	LC1D80Q5
LC1D38R7	LC1D40AP7	LC1D50AN7	LC1D65AB5	LC1D80008M7	LC1D80Q7
LC1D38SD	LC1D40AQ7	LC1D50AND	LC1D65AB6	LC1D80008P7	LC1D80R7
LC1D38U7	LC1D40AR7	LC1D50AP5	LC1D65AB7	LC1D80008Q7	LC1D80S5
LC1D38V7	LC1D40AS7	LC1D50AP7	LC1D65ABBE	LC1D80008U7	LC1D80SD
LC1D40004E7	LC1D40AT7	LC1D50AQ7	LC1D65ABD	LC1D806B7	LC1D80SW

This document is current.  Click on the product reference to get the most recent availability status (hyperlink to [se.com](https://www.se.com) product datasheet). If your product variant is no longer available, please consult your distributor or regional sales office.

LC1D80T6	LC1DMKG7	LC1DT32ED	LC1DT80A6BNE	LC1K06103B7	LC1K09015M7
LC1D80U5	LC1DMKM7	LC1DT32F7	LC1DT80A6ED	LC1K06103F7	LC1K09016K7
LC1D80U7	LC1DMKN7	LC1DT32G7	LC1DT80A6EHE	LC1K06103FE7	LC1K09017B7
LC1D80U7M	LC1DMKP7	LC1DT32M7	LC1DT80A6FD	LC1K06103P7	LC1K09017E7
LC1D80V7	LC1DMKU7	LC1DT32MD	LC1DT80A6KUE	LC1K06103P72	LC1K0901B5
LC1D956BD	LC1DMKV7	LC1DT32P7	LC1DT80A6MD	LC1K06105B7	LC1K0901B7
LC1D956F7	LC1DPK12Q7C	LC1DT32U7	LC1DT80AB7	LC1K06105F7	LC1K0901B72
LC1D956K7	LC1DPKB7C	LC1DT403BL	LC1DT80ABBE	LC1K06105M7	LC1K0901C7
LC1D956M7	LC1DPKF7	LC1DT403E7	LC1DT80ABD	LC1K06105P7	LC1K0901D5
LC1D956P7	LC1DPKM7	LC1DT406BD	LC1DT80ABNE	LC1K06106K7	LC1K0901D7
LC1D95B5	LC1DPKP7	LC1DT406BL	LC1DT80AC7	LC1K06107P7	LC1K0901E5
LC1D95B7	LC1DPKU7	LC1DT406GD	LC1DT80ACD	LC1K0610B5	LC1K0901E7
LC1D95BD	LC1DPKV7	LC1DT406K7	LC1DT80AE7	LC1K0610B7	LC1K0901F7
LC1D95BW	LC1DT203B7	LC1DT406M7	LC1DT80AEHE	LC1K0610B72	LC1K0901F72
LC1D95D7	LC1DT203FL	LC1DT40B7	LC1DT80AF7	LC1K0610D5	LC1K0901G7
LC1D95E5	LC1DT206BD	LC1DT40BD	LC1DT80AFD	LC1K0610D7	LC1K0901M7
LC1D95E7	LC1DT206BL	LC1DT40BL	LC1DT80AFE7	LC1K0610E5	LC1K0901N7
LC1D95ED	LC1DT206M7	LC1DT40D7	LC1DT80AG7	LC1K0610E7	LC1K0901P5
LC1D95F5	LC1DT20B7	LC1DT40E7	LC1DT80AJD	LC1K0610F7	LC1K0901P7
LC1D95F7	LC1DT20BD	LC1DT40ED	LC1DT80AKUE	LC1K0610F72	LC1K0901P72
LC1D95FD	LC1DT20BL	LC1DT40F7	LC1DT80ALE7	LC1K0610FE7	LC1K0901Q7
LC1D95FE7	LC1DT20CD	LC1DT40FD	LC1DT80AM7	LC1K0610G7	LC1K0901T7
LC1D95G7	LC1DT20E7	LC1DT40FE7	LC1DT80AN7	LC1K0610K7	LC1K0901U7
LC1D95K7	LC1DT20F7	LC1DT40G7	LC1DT80AND	LC1K0610L7	LC1K0901V7
LC1D95M5	LC1DT20FD	LC1DT40GD	LC1DT80AP7	LC1K0610M7	LC1K09103B7
LC1D95M7	LC1DT20FE7	LC1DT40JD	LC1DT80AQ7	LC1K0610M72	LC1K09103M7
LC1D95MD	LC1DT20G7	LC1DT40JL	LC1DT80AU7	LC1K0610N7	LC1K09105D7
LC1D95MW	LC1DT20GD	LC1DT40LE7	LC1DT80ABNE	LC1K0610P5	LC1K09105E7
LC1D95N7	LC1DT20M7	LC1DT40M7	LC1DT200AEHE	LC1K0610P7	LC1K09105F7
LC1D95P5	LC1DT20MD	LC1DT40MD	LC1DT200AKUE	LC1K0610P72	LC1K09105P7
LC1D95P7	LC1DT20ML	LC1DT40ND	LC1DT200ALSE	LC1K0610Q7	LC1K09107E7
LC1D95Q5	LC1DT20N7	LC1DT40P7	LC1DT200A6BNE	LC1K0610T7	LC1K09107F7
LC1D95Q7	LC1DT20ND	LC1DT40SD	LC1DT200A6EHE	LC1K0610U7	LC1K0910B5
LC1D95R7	LC1DT20P7	LC1DT40U7	LC1DT200A6KUE	LC1K0610V7	LC1K0910B7
LC1D95S5	LC1DT20U7	LC1DT40V7	LC1DT200A6LSE	LC1K090043E7	LC1K0910D5
LC1D95SD	LC1DT20UD	LC1DT60A3BD	LC1DTKF7	LC1K090045E7	LC1K0910E5
LC1D95U5	LC1DT253BD	LC1DT60A3E7	LC1DTKM7	LC1K09004B7	LC1K0910E7
LC1D95U7	LC1DT253BL	LC1DT60A3P7	LC1DTKP7	LC1K09004B72	LC1K0910F7
LC1D95U7C	LC1DT253E7	LC1DT60A6BBE	LC1DTKKQC	LC1K09004E7	LC1K0910F72
LC1D95V7	LC1DT256BD	LC1DT60A6BNE	LC1DVK12F7	LC1K09004F7	LC1K0910G7
LC1D115ABNE	LC1DT256BL	LC1DT60A6ED	LC1DVK12G7	LC1K09004FE7	LC1K0910K7
LC1D115AEHE	LC1DT256FD	LC1DT60A6EHE	LC1DVK12M5	LC1K09004M7	LC1K0910L7
LC1D115AKUE	LC1DT256M7	LC1DT60A6F7	LC1DVK12M7	LC1K09004M72	LC1K0910M7
LC1D115ALSE	LC1DT256P7	LC1DT60A6GD	LC1DVK12N7	LC1K09004P7	LC1K0910M72
LC1D115A6BNE	LC1DT25B7	LC1DT60A6KUE	LC1DVK12P5	LC1K09004Q7	LC1K0910N7
LC1D115A6EHE	LC1DT25BD	LC1DT60A6MD	LC1DVK12P7	LC1K09004U7	LC1K0910P5
LC1D115A6KUE	LC1DT25BL	LC1DT60A6SD	LC1DVK12Q7	LC1K090083E7	LC1K0910P7
LC1D115A6LSE	LC1DT25CD	LC1DT60AB7	LC1DVK12U7	LC1K090083P7	LC1K0910P72
LC1D150ABNE	LC1DT25E7	LC1DT60ABBE	LC1DVK12V7	LC1K090085E7	LC1K0910Q7
LC1D150AEHE	LC1DT25ED	LC1DT60ABD	LC1DVKB7C	LC1K090085F7	LC1K0910R7
LC1D150AKUE	LC1DT25F7	LC1DT60ABNE	LC1K06013FE7	LC1K090085P7	LC1K0910S7
LC1D150ALSE	LC1DT25FD	LC1DT60ACD	LC1K06013P7	LC1K090087P7	LC1K0910SC7
LC1D150A6BNE	LC1DT25G7	LC1DT60AD7	LC1K06015B7	LC1K090087S7	LC1K0910T7
LC1D150A6EHE	LC1DT25GD	LC1DT60AE7	LC1K06015F7	LC1K09008B7	LC1K0910U7
LC1D150A6KUE	LC1DT25JD	LC1DT60AEHE	LC1K06015M7	LC1K09008D7	LC1K0910V7
LC1D150A6LSE	LC1DT25LE7	LC1DT60AF7	LC1K06017P7	LC1K09008E7	LC1K12004B7
LC1DFKB7	LC1DT25M7	LC1DT60AFD	LC1K0601B5	LC1K09008F7	LC1K12004M7
LC1DFKF7	LC1DT25MD	LC1DT60AFE7	LC1K0601B7	LC1K09008G7	LC1K12004P7
LC1DFKM7	LC1DT25P7	LC1DT60AG7	LC1K0601D5	LC1K09008K7	LC1K12004T7
LC1DFKP7	LC1DT25U7	LC1DT60AK7	LC1K0601D7	LC1K09008M7	LC1K120085E7
LC1DFKU7	LC1DT323BD	LC1DT60AKUE	LC1K0601E5	LC1K09008M72	LC1K12008B7S17
LC1DFKV7	LC1DT326B7	LC1DT60AM7	LC1K0601E7	LC1K09008N7	LC1K12008E7S17
LC1DGKF7	LC1DT326BD	LC1DT60AMD	LC1K0601F7	LC1K09008P7	LC1K12008F7S17
LC1DGKM7	LC1DT326BL	LC1DT60AND	LC1K0601F72	LC1K09008S7	LC1K12013F7
LC1DGKP7	LC1DT326G7	LC1DT60AP7	LC1K0601G7	LC1K09008U7	LC1K12015P7
LC1DGKU7	LC1DT326K7	LC1DT60AU7	LC1K0601M7	LC1K09008V7	LC1K1201B5
LC1DLKM7	LC1DT326L7	LC1DT60AV7	LC1K0601N7	LC1K09008W7	LC1K1201B7
LC1DLKP7	LC1DT326M7	LC1DT60AW7	LC1K0601P5	LC1K09008Y7	LC1K1201D5
LC1DLKQ7	LC1DT32B7	LC1DT80A3BD	LC1K0601P7	LC1K09013B7	LC1K1201D7
LC1DMK11F7C	LC1DT32BD	LC1DT80A3P7	LC1K0601P72	LC1K09013P7	LC1K1201E5
LC1DMKB7	LC1DT32BL	LC1DT80A6BBE	LC1K0601Q7	LC1K09015B7	LC1K1201E7
LC1DMKF7	LC1DT32E7	LC1DT80A6BD	LC1K0601U7	LC1K09015FE7	LC1K1201F7

LC1K1201M7	LC1SKGC310M7	LC2D18JD	LC2D50AB7	LC2DT40G7	LC2K1201U7
LC1K1201N7	LC1SKGC310P7	LC2D18KUE	LC2D50ABBE	LC2DT40GD	LC2K12105B7
LC1K1201P5	LC1SKGC400P7	LC2D18L7	LC2D50ABD	LC2DT40M7	LC2K12105F7
LC1K1201P7	LC2D093BD	LC2D18M7	LC2D50ABNE	LC2DT40P7	LC2K12107B7
LC1K1201U7	LC2D093BL	LC2D18P7	LC2D50AE7	LC2K06015B7	LC2K1210B7
LC1K1201V7	LC2D096BD	LC2D18Q7	LC2D50AED	LC2K06015M7	LC2K1210D7
LC1K12103M7	LC2D096BL	LC2D18V7	LC2D50AEHE	LC2K0601B7	LC2K1210E7
LC1K12103P7	LC2D096FD	LC2D256BL	LC2D50AF7	LC2K0601B72	LC2K1210F7
LC1K12105B7	LC2D099B7	LC2D25B7	LC2D50AFD	LC2K0601E7	LC2K1210G7
LC1K12105M7	LC2D09B7	LC2D25B7V	LC2D50AFE7	LC2K0601F7	LC2K1210K7
LC1K12105P7	LC2D09B7V	LC2D25BD	LC2D50AG7	LC2K0601FE7	LC2K1210L7
LC1K1210B5	LC2D09BD	LC2D25BL	LC2D50AK7	LC2K0601G7	LC2K1210M7
LC1K1210B7	LC2D09BDV	LC2D25BNE	LC2D50AKUE	LC2K0601K7	LC2K1210P7
LC1K1210D5	LC2D09BL	LC2D25D7	LC2D50AL7	LC2K0601M7	LC2K1601K7
LC1K1210D72	LC2D09BLV	LC2D25E7	LC2D50AM7	LC2K0601P7	LC2K1610B7
LC1K1210E5	LC2D09BNE	LC2D25ED	LC2D50AND	LC2K0601P72	LC2K1610F7
LC1K1210E7	LC2D09E7	LC2D25EHE	LC2D50AP7	LC2K0601U7	LC2K1610P7
LC1K1210F7	LC2D09ED	LC2D25F7	LC2D50G7	LC2K06103P7	LC3D180AB7
LC1K1210F72	LC2D09EHE	LC2D25FE7	LC2D65AB7	LC2K06105B7	LC3D18AB7
LC1K1210FE7	LC2D09F7	LC2D25G7	LC2D65ABBE	LC2K06105M7	LC3D18AF7
LC1K1210G7	LC2D09FE7	LC2D25G7V	LC2D65ABD	LC2K0610B7	LC3D18AU7
LC1K1210M7	LC2D09G7	LC2D25K7	LC2D65ABNE	LC2K0610D72	LC3D320AG7
LC1K1210P5	LC2D09G7V	LC2D25KUE	LC2D65AE7	LC2K0610E7	LC3D320AP7
LC1K1210P7	LC2D09JL	LC2D25M7	LC2D65AED	LC2K0610F7	LC3D32AB7
LC1K1210P72	LC2D09K7	LC2D25P7	LC2D65AEHE	LC2K0610FE7	LC3D32AF7
LC1K1210Q7	LC2D09KUE	LC2D25P7V	LC2D65AF7	LC2K0610M7	LC3D32AP7
LC1K1210T7	LC2D09M7	LC2D25U7	LC2D65AFE7	LC2K0610P7	LC3D80B7
LC1K1210U7	LC2D09ND	LC2D25X7	LC2D65AG7	LC2K0610P72	LC3D80B7A64
LC1K1210V7	LC2D09P7	LC2D323BD	LC2D65AKUE	LC2K0610U7	LC3D80E7A64
LC1K16004F7	LC2D09Q7	LC2D32B7	LC2D65AL7	LC2K0610V7	LC3D80F7
LC1K16015P7	LC2D09U7	LC2D32BD	LC2D65AM7	LC2K09004B7	LC3D80F7A64
LC1K1601B5	LC2D09U7V	LC2D32BDV	LC2D65AP7	LC2K09004E7	LC3D80M7
LC1K1601B7	LC2D09V7	LC2D32BL	LC2D65AU7	LC2K09004F7	LC3D80P7
LC1K1601D5	LC2D123BD	LC2D32BNE	LC2D65F7	LC2K09004G7	LC3D80P7A64
LC1K1601E5	LC2D123BL	LC2D32D7	LC2D65G7	LC2K09004M7	LC3D80U7A64
LC1K1601E7	LC2D126L7	LC2D32E7	LC2D80004M5	LC2K09004P7	LC3K09P7
LC1K1601F7	LC2D129B7	LC2D32EHE	LC2D80004M7	LC2K09015D7	LC7K0601M7
LC1K1601M7	LC2D12B7	LC2D32F7	LC2D80004P5	LC2K09015E7	LC7K0610M7
LC1K1601P5	LC2D12BD	LC2D32FE7	LC2D80004P7	LC2K09015F7	LC7K09004B7
LC1K1601P7	LC2D12BDV	LC2D32G7	LC2D80ABBE	LC2K09015P7	LC7K09004M7
LC1K1601Q7	LC2D12BL	LC2D32G7V	LC2D80ABNE	LC2K0901B7	LC7K09015M7
LC1K1601V7	LC2D12BLV	LC2D32KUE	LC2D80AEHE	LC2K0901D7	LC7K0901M7
LC1K16106M7	LC2D12BNE	LC2D32M7	LC2D80AKUE	LC2K0901E7	LC7K0910B7
LC1K1610B5	LC2D12D7	LC2D32P7	LC2D80B7	LC2K0901F7	LC7K0910M7
LC1K1610B7	LC2D12E7	LC2D32P7V	LC2D80E7	LC2K0901F72	LC7K1201E7
LC1K1610D5	LC2D12ED	LC2D32Q7	LC2D80F5	LC2K0901G7	LC7K1201F7
LC1K1610D7	LC2D12EHE	LC2D32V7	LC2D80F7	LC2K0901M7	LC7K1201M7
LC1K1610E5	LC2D12F7	LC2D386BL	LC2D80FE7	LC2K0901P7	LC7K1210F7
LC1K1610F7	LC2D12FD	LC2D38B7	LC2D80G7	LC2K0901U7	LP1D400086SW
LC1K1610K7	LC2D12FE7	LC2D38BD	LC2D80K7	LC2K0901V7	LP1D40008BD
LC1K1610M7	LC2D12G7	LC2D38BL	LC2D80M7	LC2K09103B7	LP1D40008ED
LC1K1610P5	LC2D12G7V	LC2D38E7	LC2D80P7	LC2K09103E7	LP1D40008FD
LC1K1610P7	LC2D12KUE	LC2D38EHE	LC2D95B7	LC2K09105B7	LP1D40008GD
LC1K1610Q7	LC2D12M7	LC2D38F7	LC2D95E7	LC2K09105E7	LP1D40008MD
LC1K1610U7	LC2D12P7	LC2D38KUE	LC2D95F7	LC2K09105E7	LP1D40008MW
LC1K1610V7	LC2D12Q7	LC2D38P7	LC2D95M7	LC2K09105M7	LP1D40008ND
LC1SK0600B7	LC2D12R7	LC2D40A3FE7	LC2D95P7	LC2K09107B7	LP1D65008BD
LC1SK0600E7	LC2D183BD	LC2D40AB7	LC2D20P7	LC2K0910B7	LP1D65008FD
LC1SK0600F7	LC2D18B7	LC2D40ABBE	LC2DT25BD	LC2K0910D7	LP1D800046SW
LC1SK0600M7	LC2D18B7V	LC2D40ABD	LC2DT25E7	LC2K0910D72	LP1D80004BD
LC1SK0600P7	LC2D18BD	LC2D40ABNE	LC2DT25G7	LC2K0910E7	LP1D80004BW
LC1SK0600U7	LC2D18BDV	LC2D40AE7	LC2DT25P7	LC2K0910F7	LP1D80004ED
LC1SK0600V7	LC2D18BL	LC2D40AEHE	LC2DT32BD	LC2K0910F7	LP1D80004FD
LC1SKGC200B7	LC2D18BNE	LC2D40AF7	LC2DT32E7	LC2K0910M7	LP1D800086SW
LC1SKGC200E7	LC2D18D7	LC2D40AFE7	LC2DT32F7	LC2K0910M7	LP1D80008BD
LC1SKGC200F7	LC2D18E7	LC2D40AG7	LC2DT32G7	LC2K0910P7	LP1D80008BW
LC1SKGC200M7	LC2D18ED	LC2D40AJD	LC2DT32P7	LC2K0910U7	LP1D80008ED
LC1SKGC200P7	LC2D18EHE	LC2D40AKUE	LC2DT32U7	LC2K12004F7	LP1D80008FD
LC1SKGC200U7	LC2D18F7	LC2D40AM7	LC2DT403E7	LC2K1201B7	LP1D80008MD
LC1SKGC200V7	LC2D18FE7	LC2D40AP7	LC2DT40BD	LC2K1201B72	LP1D80008MW
LC1SKGC301P7	LC2D18G7	LC2D40AV7	LC2DT40E7	LC2K1201E7	LP1D80008MD
LC1SKGC310E7	LC2D18G7V	LC2D40F7	LC2DT40F7	LC2K1201G7	LP1D80008MW
				LC2K1201M7	LP1K06013BD
				LC2K1201P7	LP1K06013BD3

This document is current.  Click on the product reference to get the most recent availability status (hyperlink to [se.com](https://www.se.com) product datasheet). If your product variant is no longer available, please consult your distributor or regional sales office.

LP1K06013MD3	LP1K09013BD3	LP1K1210ED	LP4K0610EW3	LX1D6F5	LX4D8MD
LP1K06015BD	LP1K09015BD	LP1K1210FD	LP4K0610FW3	LX1D6F7	LXD1B7
LP1K06016BD	LP1K09015UD	LP1K1210JD	LP4K09004BW3	LX1D6G7	LXD1C7
LP1K0601BD	LP1K0901BD	LP1K1210MD	LP4K090085BW3	LX1D6L6	LXD1D7
LP1K0601BD3	LP1K0901BD3	LP1K1210SD3	LP4K090087BW3	LX1D6M5	LXD1E7
LP1K0601ED	LP1K0901ED	LP1SK0600BD	LP4K09008BW3	LX1D6M6	LXD1F7
LP1K0601FD	LP1K0901ED3	LP1SK0600ED	LP4K09008EW3	LX1D6M7	LXD1FE7
LP1K0601MD	LP1K0901FD	LP1SK0600JD	LP4K09008SW3	LX1D6N7	LXD1G7
LP1K0601ND	LP1K0901GD	LP2K06013BD	LP4K09013BW3	LX1D6P7	LXD1J7
LP1K0601SD	LP1K0901JD	LP2K06015BD	LP4K09015BW3	LX1D6Q7	LXD1L7
LP1K06103BD	LP1K0901MD	LP2K06015BD3	LP4K0901BW3	LX1D6R7	LXD1LE7
LP1K06103BD3	LP1K0901ND	LP2K0601BD	LP4K0901FW3	LX1D6T6	LXD1M7
LP1K06103ED	LP1K0901SD3	LP2K0601BD3	LP4K09103BW3	LX1D6U5	LXD1N7
LP1K06105BD	LP1K09103BD	LP2K0601ED	LP4K09105BW3	LX1D6U6	LXD1P7
LP1K06106BD	LP1K09103BD3	LP2K0601JD	LP4K09106BW3S16	LX1D6U7	LXD1Q7
LP1K0610BD	LP1K09105BD	LP2K06103BD3	LP4K09107BW3	LX1D6V7	LXD1R7
LP1K0610BD3	LP1K09105BD3	LP2K0610BD	LP4K0910BW3	LX1D83BNE	LXD1S7
LP1K0610ED	LP1K0910BD	LP2K0610BD3	LP4K0910FW3	LX1D83EHE	LXD1SC7
LP1K0610FD	LP1K0910BD3	LP2K0610JD	LP4K0910JW3	LX1D83KUE	LXD1T7
LP1K0610FD3	LP1K0910ED	LP2K09004BD3	LP4K12004BW3	LX1D83LSE	LXD1U7
LP1K0610JD	LP1K0910ED3	LP2K09013BD	LP4K12015BW3	LX1D84BNE	LXD1V7
LP1K0610MD	LP1K0910FD	LP2K09015BD	LP4K12016BW3S16	LX1D84EHE	LXD1W7
LP1K0610MPD	LP1K0910GD	LP2K0901BD	LP4K1201BW3	LX1D84KUE	LXD1X7
LP1K090043BD	LP1K0910JD	LP2K0901BD3	LP4K1201EW3	LX1D84LSE	LXD1Y7
LP1K090045BD	LP1K0910MD	LP2K0901ED	LP4K12103BW3	LX1D8B7	LXD3B7
LP1K090045ND	LP1K0910SD	LP2K0901JD	LP4K12106BW3S16	LX1D8E7	LXD3D7
LP1K09004BD	LP1K120043BD3	LP2K0901ND	LP4K1210BW3	LX1D8F7	LXD3E7
LP1K09004BD3	LP1K12004BD	LP2K09105BD	LP4K1210SW3	LX1D8FE7	LXD3F7
LP1K09004ED	LP1K12004FD	LP2K0910BD	LP5K06015BW3	LX1D8G7	LXD3FE7
LP1K09004FD	LP1K12004JD	LP2K0910BD3	LP5K0601BW3	LX1D8L7	LXD3G7
LP1K09004GD	LP1K12013BD3	LP2K0910ED	LP5K0610BW3	LX1D8M5	LXD3LE7
LP1K09004JD	LP1K12015BD	LP2K1201BD	LP5K09004BW3	LX1D8M7	LXD3M7
LP1K09004MD	LP1K12015MD	LP2K1201BD3	LP5K09013BW3	LX1D8N7	LXD3N7
LP1K090085BD	LP1K12015MDS35	LP2K12105BD	LP5K0901BW3	LX1D8P7	LXD3P7
LP1K090085MD	LP1K1201BD	LP2K1210BD	LP5K0910BW3	LX1D8Q5	LXD3Q7
LP1K090085MDS35	LP1K1201BD3	LP2K1210BD3	LP5K12004BW3	LX1D8Q7	LXD3R7
LP1K09008BD	LP1K1201ED	LP2K1210JD	LP5K12015BW3	LX1D8R7	LXD3T7
LP1K09008BD3	LP1K1201FD	LP4K06013BW3	LP5K1201BW3	LX1D8T7	LXD3U7
LP1K09008ED	LP1K1201MD	LP4K06016BW3S16	LP5K1201SW3	LX1D8U7	LXD3V7
LP1K09008FD	LP1K12103BD	LP4K0601BW3	LP5K1210BW3	LX1D8V7	LXD3X7
LP1K09008JD	LP1K12103BD3	LP4K0601SW3	LX1D6B5	LX4D2UD	
LP1K09008MD	LP1K12105BD	LP4K06103BW3	LX1D6B6	LX4D7BD	
LP1K09008ND	LP1K1210BD	LP4K06105BW3	LX1D6B7	LX4D7JD	
LP1K09013BD	LP1K1210BD3	LP4K0610BW3	LX1D6E7	LX4D8BD	

Technical Data for Designers

Contents

TeSys SK Contactors:

- > characteristics.....B8/70 to B8/73
- > dimensions..... B8/74

TeSys SKGC Contactors:

- > characteristics.....B8/75 to B8/78
- > dimensions.....B8/79

TeSys K Contactors:

- > characteristics.....B8/80 to B8/83
- > dimensions.....B8/84 to B8/87

Deca Advanced, Deca contactors:

- > characteristics.....B8/88 to B8/102
- > dimensions.....B8/107 to B8/116

Modular Contactors:

- > characteristics.....B8/117 to B8/119
- > dimensions.....B8/124 and B8/125

Modular Dual tariff contactors:

- > characteristics.....B8/127 to B8/129
- > dimensions.....B8/130 and B8/131

Modular Impulse relay:

- > characteristics.....B8/132 to B8/135
- > dimensions.....B8/136

Standard IEC tests - Contactors conforming to UL/CSA.....B8/137

TeSys Control

SK Contactors

Characteristics



References:
p. B8/2 to B8/3

Curves:
p. B8/73

Dimensions:
p. B8/78

Schemes:
p. B8/78

Environment

Rated insulation voltage (Ui)	Conforming to 60947	V	690	
Conforming to standards			IEC/EN 60947-4-1, UL 60947-4-1, CSA C22.2 n° 60947-4-1	
Approvals			cULus, EAC, UKCA, CB certification	
Degree of protection	Conforming to IEC 60529		Protection against direct finger contact IP2x	
Ambient air temperature around the device	Storage	°C	-50...+70	
	Operation	°C	-20...+50	
Maximum operating altitude	Without derating	m	2000	
Operating position			<p>Vertical axis</p> <p>Without derating</p>	<p>Horizontal axis</p> <p>Without derating</p>
Cabling, screw clamp terminals			Min	Max
	Solid conductor	mm²	1 x 1.5 or 2 x 1.5	1 x 6 or 2 x 4
	Flexible cable without cable end	mm²	1 x 0.5 or 2 x 0.35	1 x 6 or 2 x 2.5
	Flexible cable with cable end	mm²	1 x 0.35 or 2 x 0.35	1 x 6 or 2 x 1.5
Tightening torque	Pozidriv n° 1 head	N.m	0.8	
Terminal referencing			Conforming to standards En 50005	

TeSys Control

SK Contactors

Characteristics



References:
p. B8/2 to B8/3

Curves:
p. B8/73

Dimensions:
p. B8/78

Schemes:
p. B8/78

Pole characteristics

Conventional thermal current (I _{th})	For ambient temperature ≤ 55 °C	A	12
Rated operational frequency		Hz	50/60
Frequency limits of the operational current		Hz	Up to 400
Rated operational voltage (U _e)		V	690
Rated making capacity	I rms conforming to IEC 60947-1	A	66
Rated breaking capacity (for U _e ≤ 400 V)	Conforming to IEC 60947-1	A	52
Short time rating	In free air for a time "t" from cold state (θ ≤ 55 °C)	A	50
Short-circuit protection	gl fuse U ≤ 440 V	A	16
Average impedance per pole	At I _{th} and 50 Hz	mΩ	4
Maximum rated operational current		A	6
For a temperature ≤ 55 °C	AC-3 ⁽¹⁾ (U _e ≤ 400 V)	A	12
	AC-1	A	20
Utilisation in category AC-1 resistive circuits, heating, lighting (U _e ≤ 440 V)	Increase in operational current by paralleling of poles	A	20

Auxiliary contact characteristics of add-on blocks

Rated operational voltage (U _e)	Up to	V	690
Rated insulation voltage (U _i)	Conforming to IEC 60947, IEC 60947-1	V	690
Conventional thermal current (I _{th})	For ambient temperature ≤ 55 °C	A	10
Minimum switching capacity	U _{min}	V	17
	I _{min}	mA	10
Frequency of operational current		Hz	Up to 400
Short-circuit protection	Conforming to IEC 60947 and IEC 60947-1, gl fuse	A	10

Operational power of contacts conforming to IEC 60947

AC supply, category AC-15

Electrical durability (valid up to 3600 operating cycles per hour) on an inductive load such as the coil of an electromagnet: making current (cos φ 0.7) = 10 times the breaking current (cos φ 0.4).

	V	24	48	110/127	220/230	380/400	440
1 million operating cycles	VA	48	96	240	440	800	880
3 million operating cycles	VA	17	34	86	158	288	317
10 million operating cycles	VA	7	14	36	66	120	132
Occasional making capacity	VA	1000	2050	5000	10000	14000	13000

DC supply, category DC-13

Electrical durability (valid up to 1200 operating cycles per hour) on an inductive load such as the coil of an electromagnet, without economy resistor, the time constant increasing with the load.

	V	24	48	110	220	440	440
1 million operating cycles	W	120	80	60	52	51	880
3 million operating cycles	W	55	38	30	28	26	317
10 million operating cycles	W	15	11	9	8	7	132
Occasional making capacity	W	720	600	400	300	230	13000

⁽¹⁾ For LC1 contactors.

TeSys Control

SK Contactors

Characteristics



References:
p. B8/2 to B8/3

Curves:
p. B8/73

Dimensions:
p. B8/78

Schemes:
p. B8/78

Control circuit characteristics

Type		LC1SK06	LP1SK06
Rated control circuit voltage (Uc)		V ~ 24...400	~ 12...72
Control voltage limits (q ≤ 50 °C)	For operation	0.85...1.1 Uc	0.85...1.1 Uc
	For drop-out	≥ 0.20 Uc	≥ 0.10 Uc
Average coil consumption at 20 °C and at Uc	Inrush	16 VA	2.2 W
	Sealed	4.2 VA	2.2 W
Heat dissipation		W 1.4	2.2
Operating time at 20 °C and at Uc	Between coil energisation and	opening of the N/C contacts	ms 8...16
		closing of the N/O contacts	ms 7...14
	Between coil de-energisation and	opening of the N/O contacts	ms 6...8
		closing of the N/C contacts	ms 8...10
Maximum operating rate	In operating cycles per hour	1200	1200
Mechanical durability at Uc In millions of operating cycles	50/60 Hz coil	10	–
	~ coil	–	10



References:
p. B8/2 to B8/3

Characteristics:
p. B8/70 to B8/72

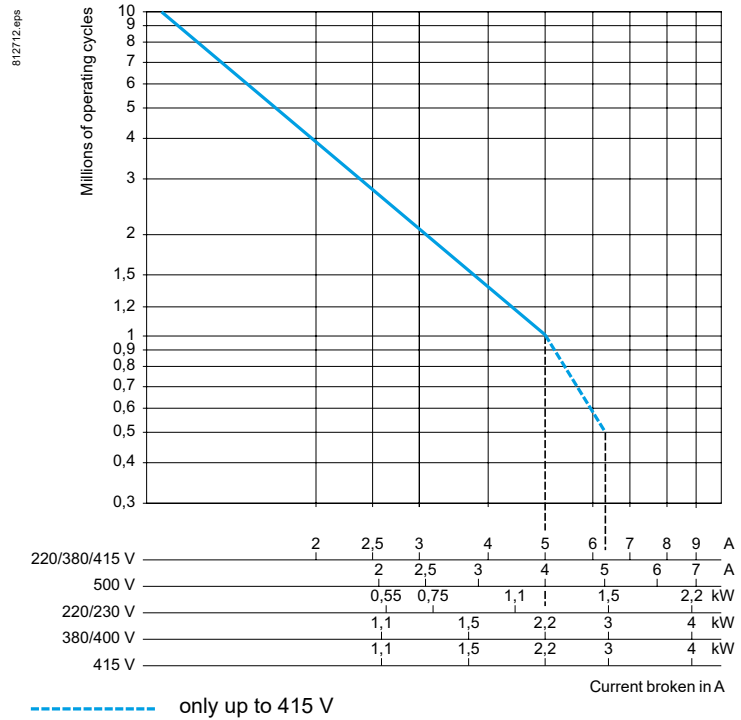
Dimensions:
p. B8/78

Schemes:
p. B8/78

Use in category AC-3 ($U_e \leq 440\text{ V}$)

Control of 3-phase asynchronous squirrel cage motors with breaking whilst running.

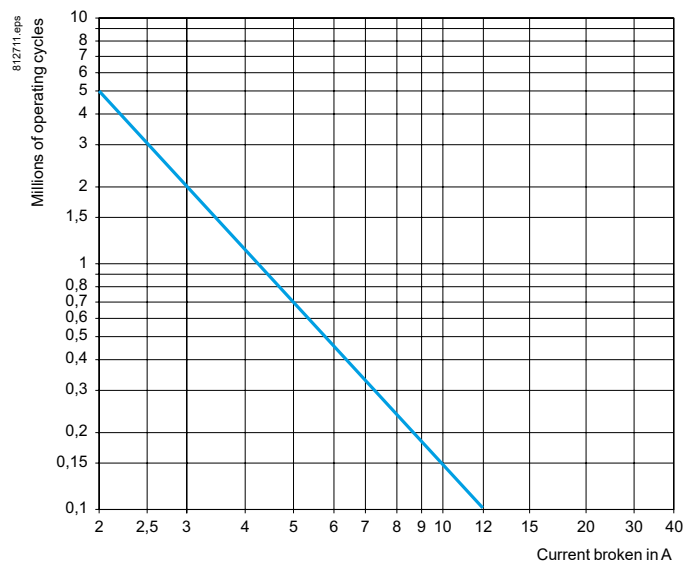
The current broken (I_c) in category AC-3 is equal to the rated operational current (I_e) of the motor.



Use in category AC-1 ($U_e \leq 440\text{ V}$)

Control of resistive circuits ($\cos \varphi \geq 0.95$).

The current broken (I_c) in category AC-1 is equal to the current (I_e) normally drawn by the load.





References:
p. B8/2 to B8/3

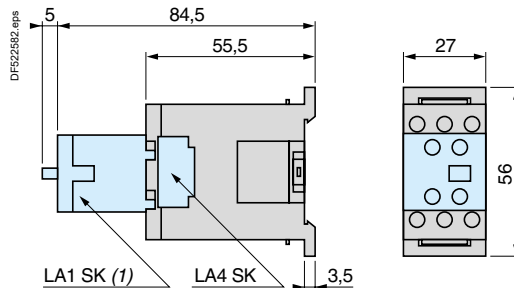
Characteristics:
p. B8/70 to B8/72

Curves:
p. B8/73

Dimensions

Mini-contactors

LC1 and LP1SK06



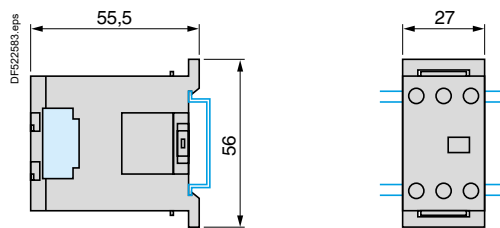
(1) Only on LC1SK06.

Mounting

Mini-contactors

LC1 and LP1SK06

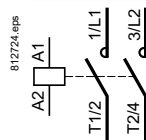
On mounting rail NSYSR200BD or NSYSR200 (L 35 mm)



Schemes

2-pole mini-contactors

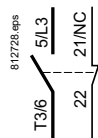
LC1 and LP1SK06



Add-on power pole block

1 pole + 1 "N/C" aux.

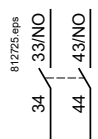
LA1SK01



Instantaneous auxiliary contacts

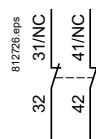
2 "N/O"

LA1SK20



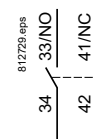
2 "N/C"

LA1SK02



1 "N/O" + 1 "N/C"

LA1SK11





References:
p. B8/3

Dimensions:
p. B8/79

Schemes:
p. B8/79

Environment			
Rated insulation voltage (Ui)	Conforming to IEC 60947	V	690
Conforming to standards			IEC 60947, UL 60947-4-1, CSA C22.2 n° 60947-4-1
Approvals			cULus, UKCA
Degree of protection	Conforming to IEC 60529		Protection against direct finger contact
Ambient air temperature around the device			
	Storage	°C	-50...+70
	Operation	°C	-20...+50
Maximum operating altitude	Without derating	m	2000
Operating position			<div style="display: flex; justify-content: space-around;"> <div style="text-align: center;"> <p>Vertical axis</p> <p>Without derating</p> </div> <div style="text-align: center;"> <p>Horizontal axis</p> <p>Without derating</p> </div> </div>
Cabling, connectors			Min.
	Solid conductor	mm²	1 x 1.5 or 2 x 1.5
	Flexible cable without cable end	mm²	1 x 0.5 or 2 x 0.35
	Flexible cable with cable end	mm²	1 x 0.35 or 2 x 0.35
			Max.
			1 x 6 or 2 x 4
			1 x 6 or 2 x 2.5
			1 x 6 or 2 x 1.5
Tightening torque	Pozidriv n° 1 head	N.m	0.8
Terminal referencing			Conforming to standards EN 50005



References:
p. B8/3

Dimensions:
p. B8/79

Schemes:
p. B8/79

Pole characteristics

Mini-contactor type			LC1SKGC2	LC1SKGC3 and LC1SKGC4	
Conventional thermal current (I _{th})	For ambient temperature ≤ 55 °C	A	20	20	
Rated operational frequency		Hz	50/60		
Frequency limit of the operational current		Hz	up to 400		
Rated operational voltage (U _e)		V	690		
Rated making capacity	I rms conforming to IEC 60947	A	50	85	
Rated breaking capacity (for U _e ≤ 400 V)	Conforming to IEC 60947 (I rms)	A	40	68	
Permissible short time rating	In free air for a time "t" from cold state (θ ≤ 55 °C)	A	40	60	
Short-circuit protection	gl fuse U ≤ 440 V	A	20	20	
Average impedance per pole	At I _{th} and 50 Hz	mΩ	4	4	
Maximum rated operational current	For temperature ≤ 55 °C	AC-3 (U _e ≤ 400 V)	A	5	9
		AC-1	A	20	20
Use in category AC-1 resistive circuits, heating, lighting (U _e ≤ 440 V)	Increase in rated operational current by paralleling of 2 poles	A	32	32	

Auxiliary contact characteristics of mini-contactors

Rated operational voltage (U _e)	Up to	V	690
Rated insulation voltage (U _i)	Conforming to IEC 60947	V	690
Conventional thermal current (I _{th})	For ambient temperature ≤ 55 °C	A	10
Frequency of the operational current		Hz	Up to 400
Short-circuit protection	Conforming to IEC 60947, gl fuse	A	10

Operational power of contacts conforming to IEC 60947

AC supply, category AC-15

Electrical durability (valid for up to 3600 operating cycles/hour) on an inductive load such as the coil of an electromagnet: making current (cos φ 0.7) = 10 times the power broken (cos φ 0.4).

	V	24	48	110/ 127	220/ 230	380/ 400	440
1 million operating cycles	VA	48	96	240	440	800	880
3 million operating cycles	VA	17	34	86	158	288	317
10 million operating cycles	VA	7	14	36	66	120	132
Occasional making capacity	VA	1000	2050	5000	10000	14000	13000

DC supply, category DC-13

Electrical durability (valid for up to 1200 operating cycles/hour) on an inductive load such as the coil of an electromagnet, without economy resistor, the time constant increasing with the load.

	V	24	48	110	220	440	440
1 million operating cycles	W	120	80	60	52	51	880
3 million operating cycles	W	55	38	30	28	26	317
10 million operating cycles	W	15	11	9	8	7	132
Occasional making capacity	W	720	600	400	300	230	13000



References:
p. B8/3

Dimensions:
p. B8/79

Schemes:
p. B8/79

Control circuit characteristics				
Mini-contactor type			LC1SKGC2	LC1SKGC3 and LC1SKGC4
Rated control circuit voltage (Uc)		V	~ 24...400	
Control voltage limits (θ ≤ 55 °C)		Operation	0.85...1.1 Uc	
		For drop-out	≥ 0.20 Uc	
Average coil consumption at 20 °C and at Uc				
	Inrush	VA	16	23
	Sealed	VA	4.2	4.9
Heat dissipation		W	1.4	1.5
Operating time at 20 °C and at Uc				
Between coil energisation and	opening of the N/C contacts	ms	8...16	
	closing of the N/O contacts	ms	7...14	
Between coil de-energisation and	opening of the N/O contacts	ms	6...8	
	closing of the N/C contacts	ms	8...10	
Maximum operating rate	In operating cycles per hour		1200	
Mechanical durability at Uc 50/60 Hz coil in millions of operating cycles			10	



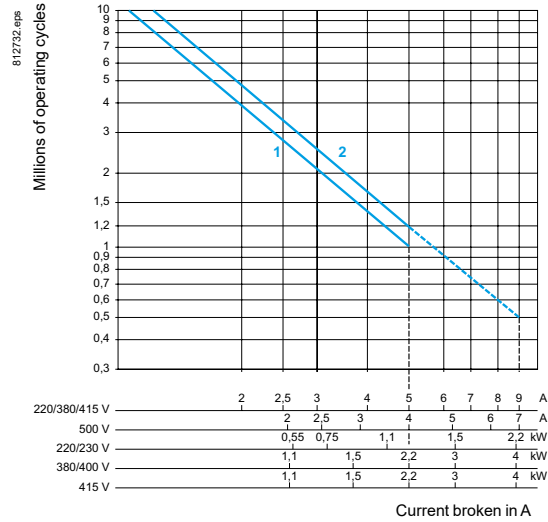
References:
p. B8/3

Dimensions:
p. B8/79

Schemes:
p. B8/79

Use in category AC-3 ($U_e \leq 440\text{ V}$)

Control of 3-phase asynchronous squirrel cage motors with breaking whilst running. The current broken (I_c) in category AC-3 is equal to the rated operational current of the motor.

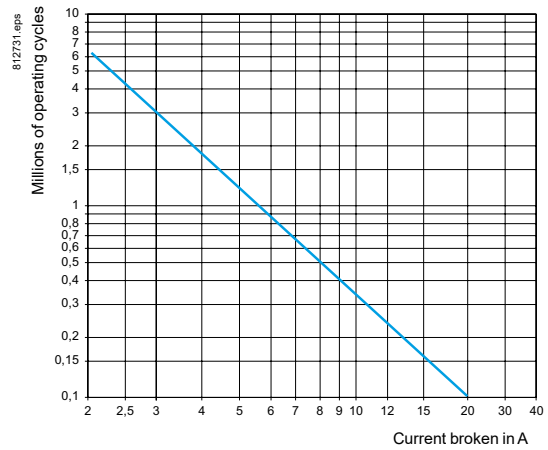


- 1. LC1SKGC2
- 2. LC1SKGC3 and SKGC4
- only up to 415 V

Use in category AC-1 ($U_e \leq 440\text{ V}$)

Control of resistive circuits ($\cos \varphi \geq 0.95$).

The current broken (I_c) in category AC-1 is equal to the current (I_e) normally drawn by the load.



TeSys Control SKGC Contactors

Dimensions, mounting and schemes



References:
p. B8/3

Characteristics:
p. B8/75 to B8/77

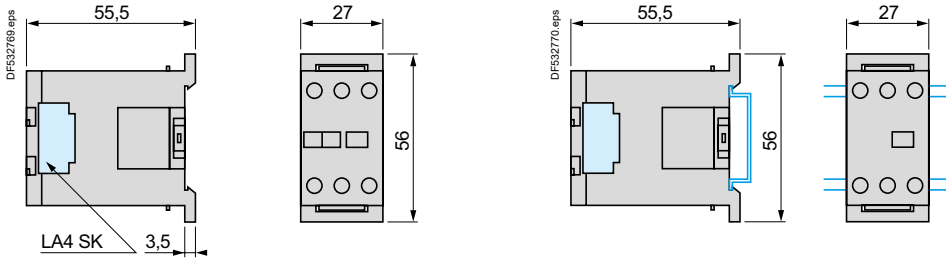
Curves:
p. B8/78

Dimensions

Mini-contactors LC1SKGC2

Mounting

On mounting rail NSYSR200BD or NSYSR200 (└ 35 mm)



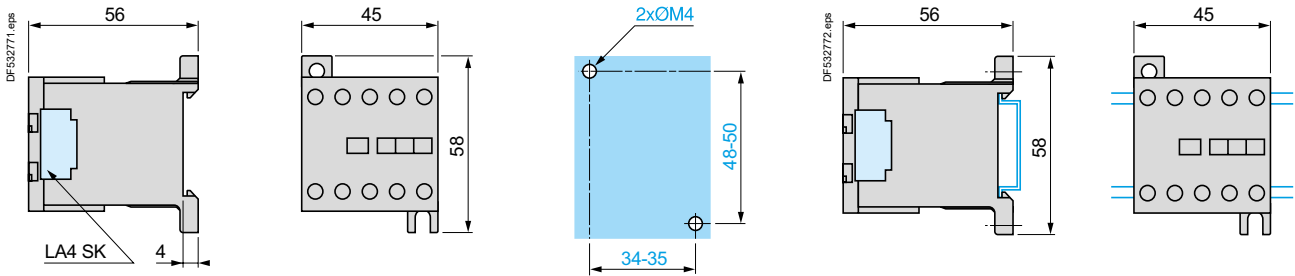
Dimensions

Mini-contactors LC1SKGC3 and SKGC4

Mounting

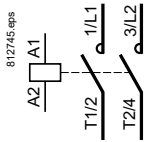
On panel

On mounting rail NSYSR200BD or NSYSR200 (└ 35 mm)



2-pole mini-contactors

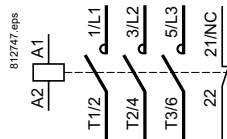
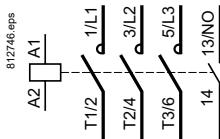
LC1SKGC2



3-pole mini-contactors

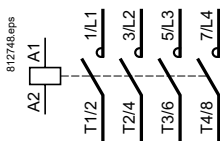
LC1SKGC310

LC1SKGC301



4-pole mini-contactors

LC1SKGC400



TeSys Control

K Contactors and Reversing Contactors

Characteristics



References:
p. B8/4 to B8/11

Dimensions:
p. B8/84 and B8/86

Schemes:
p. B8/85 and B8/87

Environment characteristics

Conforming to standards			IEC/EN 60947-4-1, IEC/EN 60947-5-1, UL 60947-4-1, CSA C22.2 n° 60947-4-1, UL 60947-5-1, CSA C22.2 n° 60947-5-1, GB/T 14048.4		
Product certifications		LC● and LP●K06 to K12 LC● and LP●K16	UL, CSA, CCC, EAC, UKCA, CB certification UKCA, CB certification, CCC, EA		
Operating positions			<p>Vertical axis Horizontal axis</p> <p><i>Without derating Without derating Possible positions for LC●K only. Contactor pull-in voltage: 0.85 Uc</i></p>		
Connection			Min.	Max.	Max. to IEC 60947
Screw clamp terminals	Solid conductor	mm ²	1 x 1.5	2 x 4	1 x 4 + 1 x 2.5
	Flexible conductor without cable end	mm ²	1 x 0.75	2 x 4	2 x 2.5
	Flexible conductor with cable end	mm ²	1 x 0.34	1 x 1.5 + 1 x 2.5	1 x 1.5 + 1 x 2.5
Spring terminals	Solid conductor	mm ²	1 x 0.75	1 x 1.5	2 x 1.5
	Flexible conductor without cable end	mm ²	1 x 0.75	1 x 1.5	2 x 1.5
Faston connectors	Clip	mm	2 x 2.8 or 1 x 6.35		
Solder pins for printed circuit board			With locating device between power and control circuits pins length 5 mm Recommended minimum width and thickness layer for power printed circuit board track : 4mm x 35 microns		
Tightening torque	of screw-clamp terminals only Philips head n° 2 and Ø6	N.m	0.8...1.3		
Terminal referencing	Conforming to standards EN 50005 and EN 50012		Up to 5 contacts, depending on model		
Rated insulation voltage (Ui)	Conforming to IEC 60947-4-1	V	690		
	Conforming to CSA 22-2 n° 60947-4-1, UL 60947-4-1	V	600		
Rated impulse withstand voltage (Uimp)		kV	8		
Degree of protection	Conforming to IEC 60529		Protection against direct finger contact IP2x		
Ambient air temperature around the device	Storage	°C	-50...+80		
	Operation	°C	-25...+60 in AC3, -25...+70 in AC1		
Maximum operating altitude	Without derating	m	2000		
Vibration resistance 5 ... 300 Hz Conforming to IEC/EN 60068-2-27	Contacteur open		2 gn		
	Contacteur closed		4 gn		
Flame resistance	according to IEC 60695-2-10	°C	850		
Shock resistance (1/2 sine wave, 11 ms) Conforming to IEC/EN 60068-2-6	Contacteur open		On X axis: 6 gn On Y and Z axes: 10 gn		
	Contacteur closed		On X axis: 10 gn On Y and Z axes: 15 gn		

TeSys Control

K Contactors and Reversing Contactors

Characteristics



References:
p. B8/4 to B8/11

Dimensions:
p. B8/84 and B8/86

Schemes:
p. B8/85 and B8/87

Pole characteristics								
Type	LC● or LP●			K06	K09	K12	K16	
Conventional thermal current (I _{th})	For ambient temperature ≤ 60 °C		A	20 ⁽¹⁾				
Rated operational frequency			Hz	50/60				
Frequency limits of the operational current			Hz	Up to 400				
Rated operational voltage (U _e)			V	690				
Rated making capacity	I rms conforming to IEC 60947		A	110	110	144	160	
Rated breaking capacity	I rms conforming to IEC 60947	220/230 V	A	110	110	–	–	
		380/400 V	A	110	110	–	–	
		415 V	A	110	110	–	–	
		440 V	A	110	110	110	110	
		500 V	A	80	80	80	80	
		660/690 V	A	70	70	70	70	
Permissible short time rating	In free air for a time "t" from cold state (θ ≤ 50 °C)	1 s	A	90	90	115	115	
		5 s	A	85	85	105	105	
		10 s	A	80	80	100	100	
		30 s	A	60	60	75	75	
		1 min	A	45	45	55	55	
		3 min	A	40	40	50	50	
		≥ 15 min	A	20	20	25	25	
Short-circuit protection (Type-1)	gG fuse U ≤ 440 V (aM fuse, see "Product references", page B11/2)		A	25				
Average impedance per pole	At I _{th} and 50 Hz		mΩ	3				
Use in category AC-1 resistive circuits, heating, lighting (U _e ≤ 440 V)	Maximum rated operational current for a temperature ≤ 60 °C	A		20				
		A		16				
	Rated operational current limits in relation to the on-load factor and operating frequency				On-load factor	90 %	60 %	30 %
		A			300 operating cycles/hour	13	15	18
		A			120 operating cycles/hour	15	18	19
		A			30 operating cycles/hour	19	20	20
Increase in rated operational current by paralleling of poles				Apply the following coefficients to the above currents; these coefficients take into account an often unbalanced distribution of current between the poles				
				2 poles in parallel: K = 1.60				
				3 poles in parallel: K = 2.25				
				4 poles in parallel: K = 2.80				
Use in category AC-3/AC-3e squirrel cage motors	Operational power according to the voltage. Voltage 50 or 60 Hz	115 V single-ph.	kW	0.37	0.55	–	–	
		220 V single-ph.	kW	0.75	1.1	–	–	
		220/230 V 3-ph.	kW	1.5	2.2	3	4	
		380/415 V 3-ph.	kW	2.2	4	5.5	7.5	
		440/480 V 3-ph.	kW	3	4	5.5/4 (480)	5.5/4 (480)	
		500/600 V 3-ph.	kW	3	4	4	4	
		660/690 V 3-ph.	kW	3	4	4	4	
		Maximum operating rate (in operating cycles/hour in relation to % of rated power)				Op. cycles/h	600	900
				Power	100 %	75 %	50 %	

(1) For LC●K●●●●3/LP●K●●●●3 with spring terminal, I_{th} max = 16 A.

TeSys Control

K Contactors and Reversing Contactors

Characteristics



References:
p. B8/4 to B8/11

Dimensions:
p. B8/84 and B8/86

Schemes:
p. B8/85 and B8/87

Control circuit characteristics

Type		LC1	LC2	LC7	LC8	LP1	LP2	LP4	LP5
Rated control circuit voltage (Uc)	V	~ 12...690 ⁽¹⁾		~ 24...240 ⁽¹⁾		~ 12...250 ⁽¹⁾		~ 12...120	
Control voltage limits (≤ 50 °C) single voltage coil	Operation	0.8...1.15 Uc ⁽²⁾		0.85...1.1 Uc		0.8...1.15 Uc		0.7...1.30 Uc	
	Drop-out	≥ 0.20 Uc		≥ 0.10 Uc		≥ 0.10 Uc		≥ 0.10 Uc	
Average consumption at 20 °C and at Uc	Inrush	30 VA		3 VA		3 W		1.8 W	
	Sealed	4.5 VA		3 VA		3 W		1.8 W	
Heat dissipation	W	1.3		3		3		1.8	
Operating time at 20 °C and at Uc	Between coil energisation and:	- opening of the N/C contacts	ms	5...15		25...35		25...35	
		- closing of the N/O contacts	ms	10...20		30...40		30...40	
	Between coil de-energisation and:	- opening of the N/O contacts	ms	10...20		30		10	
		- closing of the N/C contacts	ms	15...25		40		15	
Time constant (L/R)	ms	–		–		19		25	
Maximum immunity to microbreaks	ms	2		2		2		2	
Maximum operating rate	In operating cycles per hour	3600		3600		3600		3600	
Mechanical durability at Uc In millions of operating cycles	50/60 Hz coil	10	5	10	5	–	–	–	–
	~ coil	–	–	–	–	10	5	–	–
	Wide range coil, Low consumption	–	–	–	–	–	–	30	5

(1) For mains supplies with a high level of interference (voltage surge > 800 V), use a suppressor module **LA4KE1FC** (50...129 V) or **LA4KE1UG** (130...250 V), see page B8/14.

(2) **LC1K12, LC1K16...** : 0.85...1.15 Uc.

TeSys Control

K Contactors and Reversing Contactors

Characteristics and durability curves



References:
p. B8/4 to B8/11

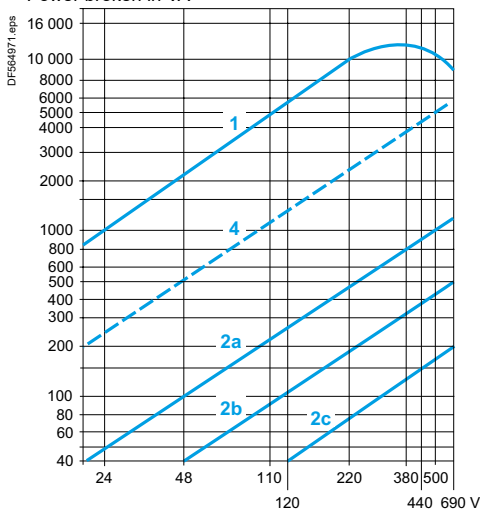
Dimensions:
p. B8/84 and B8/86

Schemes:
p. B8/85 and B8/87

Auxiliary contact characteristics of contactors and instantaneous contact blocks

Number of auxiliary contacts	On LC●K or LP●K 3-pole		1
	On LA1K		2 or 4
Rated operational voltage (Ue)	Up to	V	690
Rated insulation voltage (Ui)	Conforming to IEC 60947	V	690
	Conforming to UL 60947-5-1, CSA C22.2 n° 60947-5-1	V	600
Conventional thermal current (Ith)	For ambient temperature ≤ 50 °C	A	10
Frequency of the operational current		Hz	Up to 400
Minimum switching capacity	U min	V	17
	I min	mA	5
Short-circuit protection	Conforming to IEC 60947, gG fuse	A	10
Rated making capacity	Conforming to IEC 60947	I rms	A: 110, DC: 150
Short-time rating	Permissible for	1 s	A
		500 ms	A
		100 ms	A
Insulation resistance		MΩ	> 10
Non-overlap distance	LA1K: linked contacts conforming to INRS, BIA and CNA specifications	mm	0.5 (see schemes pages B8/85 and B8/87)

Power broken in VA



Operational power of contacts conforming to IEC 60947

AC supply, category AC-15

Electrical durability (valid for up to 3600 operating cycles/hour) on an inductive load such as the coil of an electromagnet: making current ($\cos \varphi 0.7$) = 10 times the power broken ($\cos \varphi 0.4$).

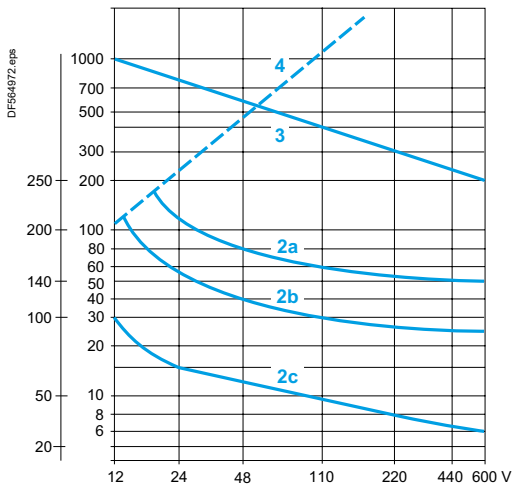
Operating cycles	V	24	48	110/127	220/230	380/400	440	600/690
1 million operating cycles	VA	48	96	240	440	800	880	1200
3 million operating cycles	VA	17	34	86	158	288	317	500
10 million operating cycles	VA	7	14	36	66	120	132	200
Occasional making capacity	VA	1000	2050	5000	10000	14000	13000	9000

DC supply, category DC-13

Electrical durability (valid for up to 1200 operating cycles/hour) on an inductive load such as the coil of an electromagnet, without economy resistor, the time constant increasing with the load.

Operating cycles	V	24	48	110	220	440	600
1 million operating cycles	W	120	80	60	52	51	50
3 million operating cycles	W	55	38	30	28	26	25
10 million operating cycles	W	15	11	9	8	7	6
Occasional making capacity	W	720	600	400	300	230	200

Power broken in W



- Breaking limit of contacts valid for:
 - maximum of 50 operating cycles at 10 s intervals (power broken = making current $\times \cos \varphi 0.7$).
- Electrical durability of contacts for:
 - 1 million operating cycles (2a)
 - 3 million operating cycles (2b)
 - 10 million operating cycles (2c).
- Breaking limit of contacts valid for:
 - maximum of 20 operating cycles at 10 s intervals with current passing for 0.5 s per operating cycle.
- Thermal limit.

TeSys Control K Contactors

Dimensions and mounting



References:
p. B8/4 to B8/14

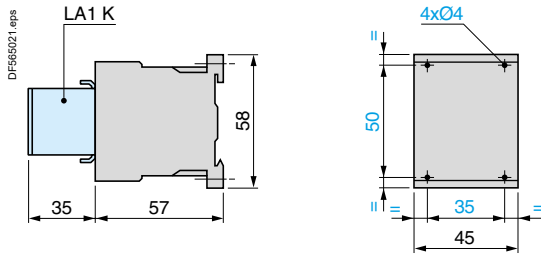
Dimensions:
p. B8/84 and B8/86

Schemes:
p. B8/85

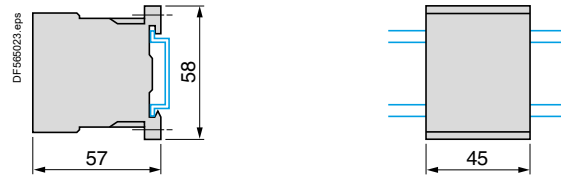
Contactors

LC1K, LC7K, LP1K, LP4K

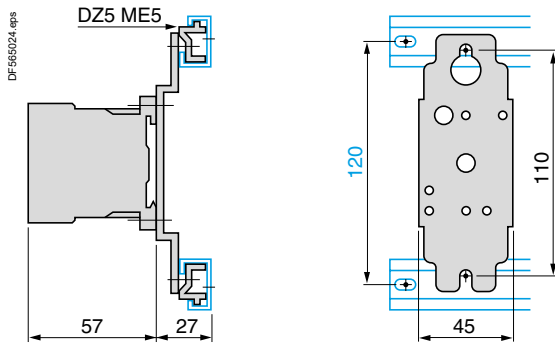
On panel



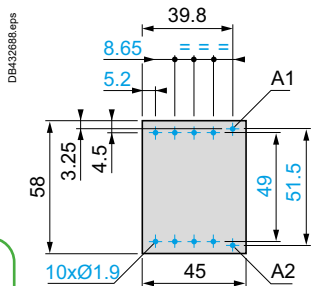
On mounting rail NSYSR200BD or NSYSR200 (L_r 35 mm)



DX1AP25



On printed circuit board



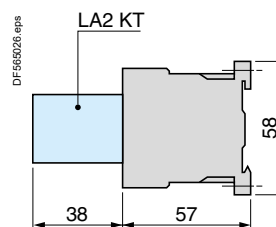
Contactors

Electronic time delay contact blocks

LA2KT

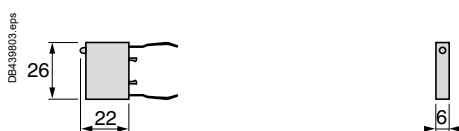


On contactor

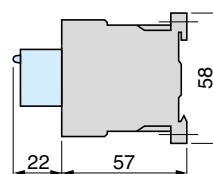


Suppressor modules

LA4K●



On contactor LC1K or LP1K



TeSys Control

K Contactors

Schemes



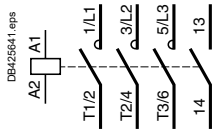
References:
p. B8/4 to B8/14

Dimensions:
p. B8/84 and B8/86

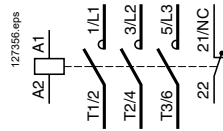
Schemes:
p. B8/84

3-pole contactors

3 P + N/O

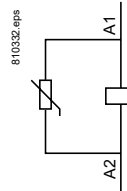


3 P + N/C

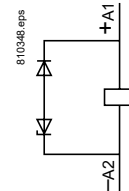


With integral suppression device

LC7K

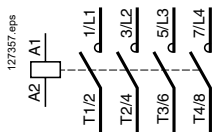


LP4K

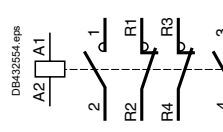


4-pole contactors

4 P

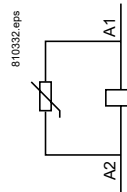


2 P N/O + 2 P N/C

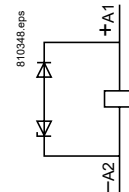


With integral suppression device

LC7K



LP4K



Instantaneous auxiliary contacts LA1K

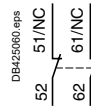
LA1KN20, KN207, KN203

2 N/O



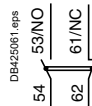
LA1KN02, KN027, KN023

2 N/C



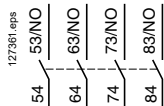
LA1KN11, KN117, KN113

1 N/O + 1 N/C



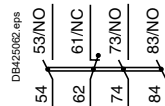
LA1KN40, KN407, KN403

4 N/O



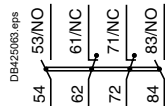
LA1KN31, KN317, KN313

3 N/O + 1 N/C



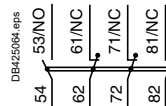
LA1KN22, KN227, KN223

2 N/O + 2 N/C



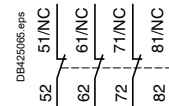
LA1KN13, KN137, KN133

1 N/O + 3 N/C



LA1KN04, KN047, KN043

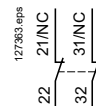
4 N/C



Terminal referencing conforming to standard EN 50012

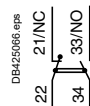
LA1KN02M

2 N/C



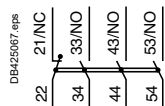
LA1KN11M

1 N/O + 1 N/C



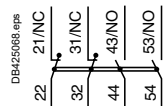
LA1KN31M

3 N/O + 1 N/C



LA1KN22M

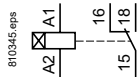
2 N/O + 2 N/C



Electronic time delay contact blocks

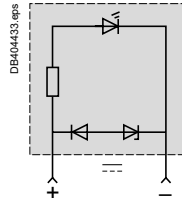
LA2KT

1 C/O

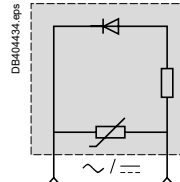


Suppressor modules

LA4KC



LA4KE



TeSys Control

K Reversing Contactors

Dimensions and mounting



References:
p. B8/8 to B8/14

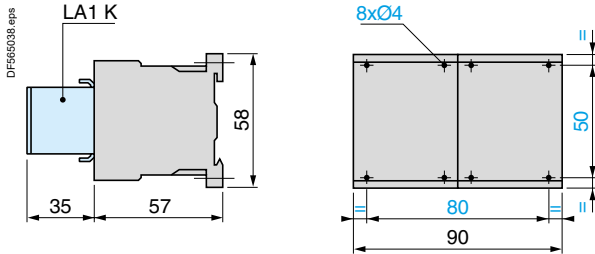
Dimensions:
p. B8/84 and B8/86

Schemes:
p. B8/87

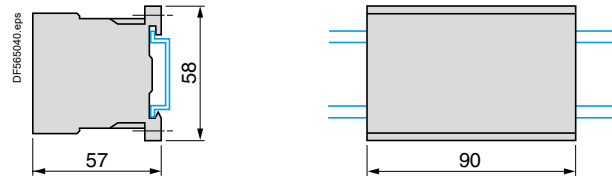
Reversing contactors

LC2K, LC8K, LP2K, LP5K

On panel

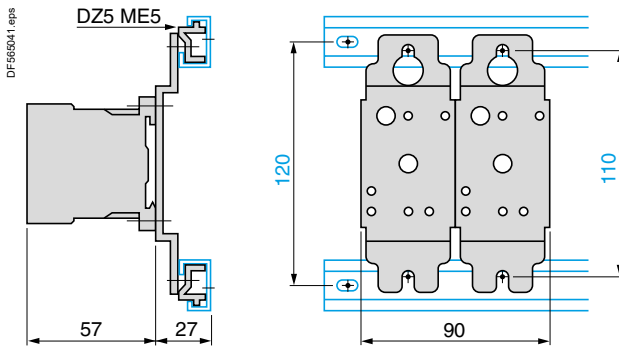


On mounting rail NSYSDR200BD or NSYSDR200 (L₁ 35 mm)

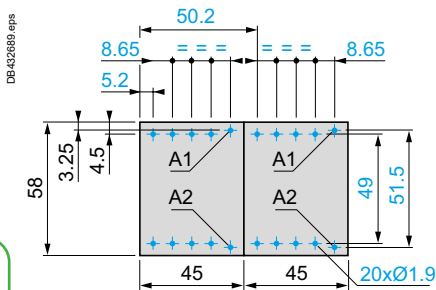


2 x DX1AP25

On one asymmetrical mounting rail DZ5MB on 2 mounting plates DX1AP25.



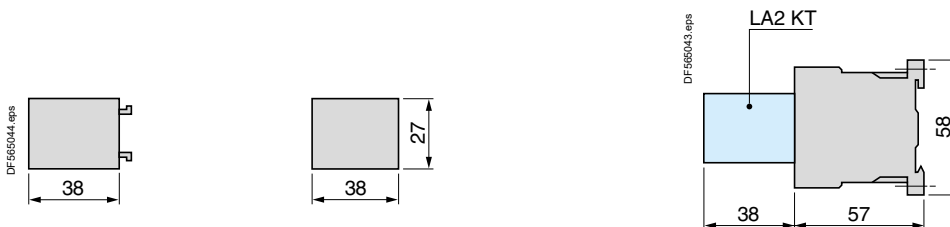
On printed circuit board for reversing contactors or 2 contactors mounted side by side.



Electronic time delay contact blocks

LA2KT

On reversing contactors



Suppressor modules

LA4K●

On reversing contactors LC2K or LP2 K



Contactors

TeSys Control

K Reversing Contactors

Schemes



References:
p. B8/8 to B8/14

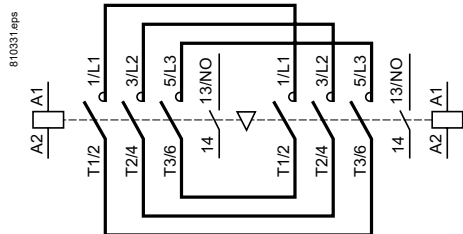
Dimensions:
p. B8/80 to B8/83

Schemes:
p. B8/86

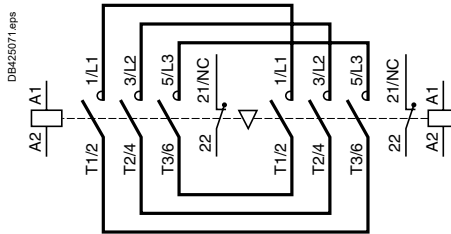
3-pole reversing contactors

With screw clamp connections

3 P + N/O



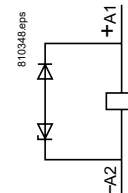
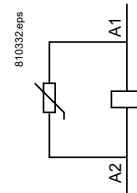
3 P + N/C



With integral suppression device

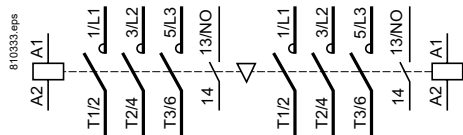
LC8K

LP5K

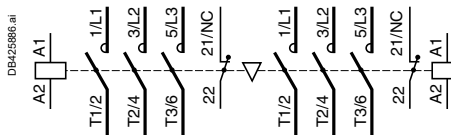


With Faston connectors or solder pins (printed circuit board)

3 P + N/O



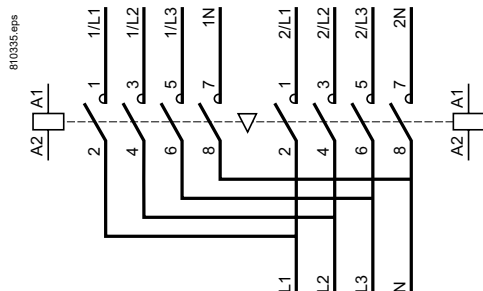
3 P + N/C



4-pole reversing contactors

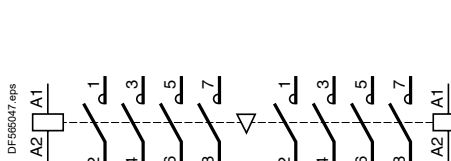
With screw clamp connections

4 P



With Faston connectors or solder pins (printed circuit board)

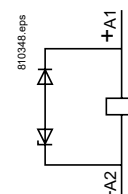
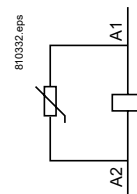
4 P



Integral suppression device

LC8K

LP5K



Instantaneous auxiliary contacts LA1K

Terminal referencing conforming to standard EN 50012

LA1KN20, KN207, KN203

LA1KN02, KN027, KN023

LA1KN11, KN117, KN113

LAKN02M

LA1KN11M

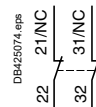
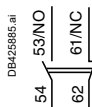
2 N/O

2 N/C

1 N/O + 1 N/C

2 N/C

1 N/O + 1 N/C



LA1KN40, KN407, KN403

LA1KN31, KN317, KN313

LA1KN22, KN227, KN223

LA1KN13, KN137, KN133

LA1KN04, KN047, KN043

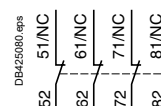
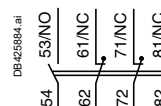
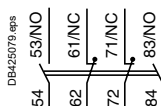
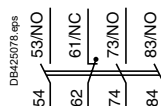
4 N/O

3 N/O + 1 N/C

2 N/O + 2 N/C

1 N/O + 3 N/C

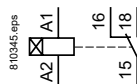
4 N/C



Electronic time delay contact blocks

LA2KT

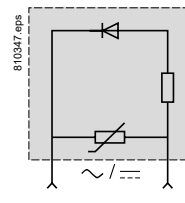
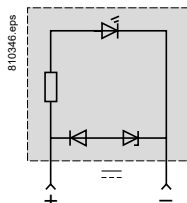
1 C/O



Suppressor modules

LA4KC

LA4KE



Contactors

TeSys Control

Deca Advanced, Deca Contactors

Characteristics



References:
p. B8/24 to B8/34

Dimensions:
p. B8/103 to B8/110

Schemes:
p. B8/111 to B8/112

Environment						
Contactor type LC1		D09...D18 DT20 and DT25	D25...D38 DT32 and DT40	D40A...D80A DT60A and DT80A	D80...D95 ⁽¹⁾	D115A... D150A and DT200A
Rated insulation voltage (Ui)	Conforming to IEC 60947-4-1, overvoltage category III, degree of pollution: 3	V			690	1000
	Conforming to UL, CSA	V			600	
Rated impulse withstand voltage (Uimp)	Conforming to IEC 60947	kV			6	8
Conforming to standards		EN/IEC 60947-4-1, UL 60947-4-1, CSA C22.2 No. 60947-4-1, GB/T 14048.4, JIS C8201-4-1				
Product certifications and Declaration of conformity ⁽¹⁾		CB Scheme, CCC, UL, CSA, EAC, CE, UKCA, EU-RO-MR by DNV		CB Scheme, CCC, cULus, EAC, CE, UKCA, EU-RO-MR by DNV	CB Scheme, CCC, UL, CSA, EAC, CE, UKCA, ABS, BV, DNV, RINA, LRoS	CB Scheme, CCC, cULus, EAC, CE, UKCA, EU-RO-MR by DNV
Degree of protection ⁽²⁾ (front face)	Conforming to IEC 60529					
	Power circuit connections	Protection against direct finger contact IP20				
	Coil connection	Protection against direct finger contact IP20				
Climatic withstand		According to IACS E10 and IEC 60947-1 Annex Q category D				
Ambient air temperature around the device	Storage	°C			-60...+80	
	Operation ⁽³⁾	°C			-40...+60	
	Allowed with derating ⁽³⁾⁽⁴⁾	°C			+60...+70 at U _c to 1.0 • U _c	
Maximum operating altitude	Without derating	m			3000	
Operating positions ⁽⁵⁾	Without derating in the following positions	AC and DC coils AC/DC and "BBE" coils		AC coils AC/DC and "BBE" coils	DC coils ⁽⁷⁾	
	With derating in the following position					
Positions that are not allowed	AC/DC and "BBE" coils		DC coils			
Flame resistance	Conforming to IEC 60695-2-11	°C			850	
Shock resistance ⁽⁶⁾ 1/2 sine wave = 11 ms Conforming to IEC/EN 60068-2-27	Contactor open	10 gn	8 gn	10 gn	8 gn	10 gn
	Contactor closed	15 gn	15 gn	15 gn	10 gn	15 gn
Vibration resistance ⁽⁶⁾ 5...300 Hz Conforming to IEC/EN 60068-2-6	Contactor open	2 gn				
	Contactor closed	4 gn	4 gn	4 gn	3 gn	4 gn

(1) Contactor LC1D95 with DC coil is not UL/CSA certified.

(2) Protection provided for the cabling c.s.a.'s indicated on the next page and for connection by cable. For lug type: add a protective cover.

(3) As per IEC60947-4-1, operating time and drop out voltage given and tested for -5...+40 °C.

(4) Refer to operational current in AC1 (page A5/114).

(5) When mounting on a vertical rail, use a stop.

(6) Without modifying the power contact states, in the most unfavourable direction (coil energised at U_e).

In case of vibration, it is recommended to mount the devices separately by screws on metal plate.

(7) For 90° operating position with DC coil, please contact your Schneider Electric Technical Support for confirming your use case.

TeSys Control

Deca Advanced, Deca Contactors

Characteristics



References:
p. B8/24 to B8/34

Dimensions:
p. B8/103 to B8/110

Schemes:
p. B8/111 to B8/112

Pole characteristics Deca, Deca Advanced contactors

Contactor type	LC1	D09 (3P)	DT20 D098	D12 (3P)	DT25 D128	D18 (3P)	DT32 D188	D25 (3P)	DT40 D258	
Rated operational current (Ie) (Ue ≤ 440 V)	In AC-3/AC-3e, θ ≤ 60 °C	A	9	12	18	25				
	In AC-1, θ ≤ 60 °C	A	25 ⁽¹⁾	20	25 ⁽¹⁾	25	32 ⁽¹⁾	32	40 ⁽¹⁾	40
Rated operational voltage (Ue)	Up to (as per IEC 60947-1)	V	690	690	690	690				
Frequency limits	Of the operational current	Hz	25...400	25...400	25...400	25...400				
Conventional thermal current (Ith)	θ ≤ 60 °C	A	25 ⁽¹⁾	20	25 ⁽¹⁾	25	32 ⁽¹⁾	32	40 ⁽¹⁾	40
Rated making capacity (440 V)	Conforming to IEC 60947	A	250	250	300	450				
Rated breaking capacity (440 V)	Conforming to IEC 60947	A	250	250	300	450				
Permissible short time rating No current flowing for preceding 15 minutes with θ ≤ 40 °C	For 1 s	A	210	210	240	380				
	For 10 s	A	105	105	145	240				
	For 1 min	A	61	61	84	120				
	For 10 min	A	30	30	40	50				
Fuse protection against short-circuits (U ≤ 690 V)	Without thermal overload relay, gG fuse	type 1	A	25	40	50	63			
		type 2	A	20	25	35	40			
	With thermal overload relay	A	See pages B11/4 and B11/5, for aM or gG fuse ratings corresponding to the associated thermal overload relay							
Average impedance per pole	At Ith and 50 Hz	mΩ	2.5	2.5	2.5	2				
Power dissipation per pole for the above operational currents	AC-3/AC-3e	W	0.20	0.36	0.8	1.25				
	AC-1	W	1.56	1.56	2.5	3.2				

Control circuit characteristics, AC supply Deca contactors

Rated control circuit voltage (Uc)	50/60 Hz	V	12...690		
Rated operational voltage	Conforming to IEC 60947-1	V	690		
	Conforming to UL, CSA ⁽⁵⁾	V	600		
Control voltage limits	50 or 60 Hz coils	Operation	–		
		Drop-out	–		
	50/60 Hz coils ⁽⁶⁾	Operation	0.8...1.1 Uc on 50 Hz and 0.85...1.1 Uc on 60 Hz at 60 °C		
		Drop-out	0.3...0.6 Uc at 60 °C		
Average consumption at 20 °C and at Uc	~ 50 Hz Inrush	50 Hz coil	VA	–	
		Cos φ		0.75	
		50/60 Hz coil	VA	70	
		Sealed	50 Hz coil	VA	–
			Cos φ		0.3
		50/60 Hz coil	VA	7.5	
	~ 60 Hz Inrush	60 Hz coil	VA	–	
		Cos φ		0.75	
		50/60 Hz coil	VA	70	
		Sealed	60 Hz coil	VA	–
			Cos φ		0.3
		50/60 Hz coil	VA	7	
Heat dissipation	50/60 Hz	W	2...3		
Operating time ⁽²⁾	Closing "C"	ms	12...22		
	Opening "O"	ms	4...19		
Mechanical durability in millions of operating cycles	50 or 60 Hz coil		–		
	50/60 Hz coil on 50 Hz		15		
Maximum operating rate at ambient temperature ≤ 60 °C	In operating cycles per hour		3600		

(1) Versions with spring terminal connections:

16 A for LC1D093 and LC1D123 (20 A possible with 2 x 2.5 mm² in parallel).

25 A for LC1D183 to LC1D323 (32 A possible for LC1D183 connected with 2 x 4 mm² cables in parallel; 40 A possible for LC1D253 and LC1D323 connected with 2 x 4 mm² in parallel).

(2) The closing time "C" is measured from the moment the coil supply is switched on to closure of the main poles. The opening time "O" is measured from the moment the coil supply is switched off to the moment the main poles separate.

(3) The opening time is 40...75 ms for LX1D8•7 coils and 6...20 ms for LX1D8•5 and LX1D8•6 coils.

(4) 2400 for LX1D8•5 and LX1D8•6 coils and 1200 for LX1D8•7 coils (refer to page B8/132 for list of coil references).

(5) The LC1D95 contactor with DC coil is not UL/CSA certified.

(6) LXD3G7/LXD3LE7 & LXD3T7 coils used with LC1D40A...80A, LC1DT60A and LC1DT80A contactors are suitable only at 50 Hz.

Refer to page B8/56 for details on LXD3 type coils.

TeSys Control

Deca Advanced, Deca Contactors

Characteristics



References:
p. B8/24 to B8/34

Dimensions:
p. B8/103 to B8/110

Schemes:
p. B8/111 to B8/112

D32	D38	D40A	DT60A	D50A	D65A	D80A	DT80A	D80	D95	D115A	D150A	DT200A
32	38	40	40 ⁽⁷⁾	50	65	66	50 ⁽⁷⁾	80	95	115	150	115
50 ⁽¹⁾	50	60	60	80	80	80	80	125	125	200	200	200
690	690	690	690	690	690	690	690	1000	1000	1000	1000	1000
25...400	25...400	25...400	25...400	25...400	25...400	25...400	25...400	25...400	25...400	16.67...400	16.67...400	16.67...400
50	50	60	60	80	80	80	80	125	125	200	200	200
550	550	800	800	900	1000	1000	1000	1100	1100	1560	1885	1260
550	550	800	800	900	1000	1000	1000	1100	1100	1100	1440	1100
430	430	720	720	810	900	900	900	990	1100	1800	1800	1800
260	310	320	320	400	640	640	640	640	800	1280	1280	1280
138	150	165	165	208	260	260	260	320	400	600	600	600
60	60	72	72	84	110	110	110	135	135	350	350	350
63	63	80	80	100	125	125	125	200	200	250	315	315
63	63	80	80	100	125	125	125	160	160	200	250	250

See pages B11/4 and B11/5 for aM or gG fuse ratings corresponding to the associated thermal overload relay

2	2	1.5	1.6	1.5	1.5	1.5	1.6	0.8	0.8	0.45	0.45	0.45
2	3	2.4	2.4 ⁽⁷⁾	3.7	6.3	6.3	6.3 ⁽⁷⁾	5.1	7.2	6	8	6
5	5	5.4	5.8	9.6	9.6	9.6	10.2	12.5	12.5	22	22	28

12...690	12...690	<i>Please refer to page B8/93 for Deca Advanced Control Circuit Characteristics.</i>										
–	–	0.85...1.1 Uc at 55 °C										
–	–	0.3...0.6 Uc at 55 °C										
0.8...1.1 Uc on 50 Hz and 0.85...1.1 Uc on 60 Hz at 60 °C	0.8...1.1 Uc on 50 Hz and 0.85...1.1 Uc on 60 Hz at 60 °C	0.8...1.1 Uc on 50 Hz and 0.85...1.1 Uc on 60 Hz at 55 °C										
0.3...0.6 Uc at 60 °C	0.3...0.6 Uc at 60 °C	0.3...0.6 Uc at 55 °C										
–	–	200										
0.75	0.75	0.75										
70	160	245										
–	–	20										
0.3	0.3	0.3										
7.5	15	26										
–	–	220										
0.75	0.75	0.75										
70	140	245										
–	–	22										
0.3	0.3	0.3										
7	13	26										
2...3	4...5	6...10										
12...22	12...26	12...26	12...26	12...26	12...26	12...26	12...26	20...35	20...35			
4...19	4...19	4...19	4...19	4...19	4...19	4...19	4...19	6...20	6...20			
–	–	–	–	–	–	–	–	10	10			
15	6	6	6	6	6	6	6	4	4			
3600	3600	3600	3600	3600	3600	3600	3600	3600	3600			

⁽⁷⁾ AC-3 category for LC1DT60A & LC1DT80A. For AC-3e category please contact your Local Technical Support.

TeSys Control

Deca Contactors

Characteristics



References:
p. B8/28 to B8/34

Dimensions:
p. B8/108 to B8/110

Schemes:
p. B8/111 to B8/112

DC control circuit characteristics Deca contactors

Contactor type			LC1D09...D38 LC1DT20...DT40	LC1D40A...D80A LC1DT60A and DT80A	LC1 or LP1D80 LC1D95	
Rated control circuit voltage (Uc) ---		V	12...440	12...440		
Rated operational voltage	Conforming to IEC 60947-1	V	690			
	Conforming to UL, CSA ⁽²⁾	V	600			
Control voltage limits	Operation	Standard coil	0.7...1.25 Uc at 60 °C	0.75...1.25 Uc at 60 °C	0.85...1.1 Uc at 55 °C	
		Wide range coil	–	–	0.75...1.2 Uc at 55 °C	
	Drop-out		0.1...0.25 Uc at 60 °C	0.1...0.3 Uc at 60 °C	0.1...0.3 Uc at 55 °C	
Average consumption at 20 °C and at Uc	---	Inrush	W	5.4	19	22
		Sealed	W	5.4	7.4	22
Operating time ⁽¹⁾ average at Uc	Closing	"C"	ms	63 ±15 %	50 ±15%	95...130
	Opening	"O"	ms	20 ±20 %	20 ±20%	20...35
			<i>Note: The arcing time depends on the circuit switched by the poles. For all normal 3-phase applications, the arcing time is less than 10 ms. The load is isolated from the supply after a time equal to the sum of the opening time and the arcing time.</i>			
Time constant (L/R)		ms	28	34	75	
Mechanical durability at Uc	In millions of operating cycles		30	10	10	
Maximum operating rate at ambient temperature ≤ 60 °C	In operating cycles per hour		3600	3600	3600	

Low consumption control circuit characteristics Deca contactors

Rated operational voltage	Conforming to IEC 60947-1	V	690	–	
	Conforming to UL, CSA	V	600	–	
Maximum voltage	Of the control circuit on ---	V	250	–	
Average consumption DC at 20 °C and at Uc	Wide range coil (0.8...1.25 Uc)	Inrush	W	2.4	–
		Sealed	W	2.4	–
Operating time ⁽¹⁾ at Uc and at 20 °C	Closing	"C"	ms	77 ±15 %	–
	Opening	"O"	ms	25 ±20 %	–
Voltage limits (θ ≤ 60 °C) of the control circuit	Operation		0.8 to 1.25 Uc	–	
	Drop-out		0.1...0.3 Uc	–	
Time constant (L/R)		ms	40	–	
Mechanical durability	In millions of operating cycles		30	–	
Maximum operating rate at ambient temperature ≤ 60 °C	In operating cycles per hour		3600	–	

⁽¹⁾ The operating times depend on the type of contactor electromagnet and its control mode.

The closing time "C" is measured from the moment the coil supply is switched on to initial contact of the main poles.

The opening time "O" is measured from the moment the coil supply is switched off to the moment the main poles separate.

⁽²⁾ The LC1D95 contactor with DC coil is not UL/CSA certified.

TeSys Control

Deca Advanced Contactors

Characteristics



References:
p. B8/24 to B8/27

Dimensions:
p. B8/103 to B8/106

Schemes:
p. B8/111 to B8/112

Wide band Deca Advanced contactors AC/DC coil circuit characteristics

Rated control circuit voltage (Uc)	V	AC/DC 24...250 for LC1D09...D38, LC1D40A...D80A, LC1DT60A, LC1DT80A AC/DC 24...500 for LC1D115A...D150A, LC1DT200A							
Operation	V	LC1D09...D80A : 0.85 Uc...1.1 Uc at 60 °C in AC or DC ⁽¹⁾ . LC1D115A...D150A, LC1DT200A : 0.8 Uc...1.1 Uc at 60 °C in AC or DC.							
Drop-out	V	0.1 Uc maxi (e.g. 100 to 250 V = 25 V at 60 °C)							
Contactor type		LC1D09...D38			LC1D40A...D80A, LC1DT60A, LC1DT80A				
Coil code		BNE	EHE	KUE	BBE	BNE	EHE	KUE	
Rated control circuit voltage (Uc)		24...60	48...130	100...250	24 DC	24...60	48...130	100...250	
Rated operational voltage	Conforming to IEC 60947-1	V 250 max							
	Conforming to UL, CSA	V 250 max							
AC supply at 20°C	Consumption inrush	VA	15	25	25	-	18	25	22
	Consumption sealed	VA	0.9	1.3	1.6	-	1.2	1.8	2.1
	Consumption sealed	mA	28	15	9	-	38	21	11.3
	Heat dissipation	W	0.6	0.8	1.1	-	0.8	0.9	1.3
DC supply at 20°C	Consumption inrush	W	14	24	18	11.5	18	20	20
	Consumption sealed	mA	23	13	7	22	33	18	10.7
	Heat dissipation	W	0.6	0.8	1.1	0.5	0.7	0.9	1.2
Max operating time ⁽³⁾	Closing "C"	ms	50 ±5			60 ±5			
	Opening "O"	ms	20...90			20...80			
EMC immunity			Meets IEC 60947-4-1 standard, table 12						
EMC emission	IEC 60947-4-1 §9.4.3		Environment A ⁽²⁾						
Maximum operating rate at ambient temperature ≤ 60°C		cycle/h	3600						
Mechanical durability at Uc In millions of operating cycles			15			10			

Contactor type		LC1D115A...D150A, LC1DT200A					
Coil code		BNE	EHE	KUE	LSE		
Rated control circuit voltage (Uc)		24...60	48...130	100...250	200...500		
Rated operational voltage	Conforming to IEC 60947-1	V 500 max					
	Conforming to UL, CSA	V 500 max					
AC supply at 20°C	Consumption inrush	VA	170	170	170	170	
	Consumption sealed	VA	7.5	7.5	8	16.5	
	Consumption sealed	mA	200	109	40	38	
	Heat dissipation	W	2.2	1.5	1.1	3	
DC supply at 20°C	Consumption inrush	W	136	120	105	120	
	Consumption sealed	mA	130	76	25	26	
	Heat dissipation	W	2.2	1.5	1.1	3	
Max operating time ⁽³⁾	Closing "C"	ms	20...90				
	Opening "O"	ms	10...90		25...90		10...90
EMC immunity			Meets IEC 60947-4-1 standard, table 12				
EMC emission	IEC 60947-4-1 §9.4.3		Environment A ⁽²⁾				
Maximum operating rate at ambient temperature ≤ 60°C		cycle/h	2400				
Mechanical durability at Uc In millions of operating cycles			8				

(1) LC1D09...D38: BNE coil: 0.8 Uc mini at 24 V DC, 0.85 Uc mini in AC
LC1D40A...D80A, LC1DT60A, LC1DT80A: BBE coil: 0.8 Uc mini.

(2) Use of this product in EMC environment B may require mitigation measures to avoid unwanted disturbance.

(3) The closing time "C" is measured from the moment the coil supply is switched on to closure of the main poles. The opening time "O" is measured from the moment the coil supply is switched off to the moment the main poles separates.

TeSys Control

Deca Advanced, Deca Contactors

Characteristics



References:
p. B8/24 to B8/34

Dimensions:
p. B8/103 to B8/110

Schemes:
p. B8/111 to B8/112

Power circuit connections

Screw clamp terminal connections Deca, Deca Advanced contactors

Contactor type	LC1	D09 and D12 DT20 and DT25	D18 (3P)	D25 (3P)	D32	D38	D18 and D25 (4P) DT32 and DT40	D40A to D80A DT60A and DT80A ⁽¹⁾	D80 and D95	D115A, D150A and DT200A
Tightening		Screw clamp terminals					Connector 2 inputs	Screw clamp terminals	Connector 1 input	Connector 2 inputs
Flexible cable without cable end	1 conductor	mm ²	1...4	1.5...6	2.5...10		2.5...10	1...35	4...50	10...120
	2 conductors	mm ²	1...4	1.5...6	2.5...10		2.5...10	1...25 and 1...35	4...25	10...120 + 10...50
Flexible cable with cable end	1 conductor	mm ²	1...4	1...6	1...10		2.5...10	1...35	4...50	10...120
	2 conductors	mm ²	1...2.5	1...4	1.5...6		2.5...10	1...25 and 1...35	4...16	10...120 + 10...50
Solid cable without cable end	1 conductor	mm ²	1...4	1.5...6	1.5...10		2.5...16	1...35	4...50	10...120
	2 conductors	mm ²	1...4	1.5...6	2.5...10		2.5...16	1...25 and 1...35	6...25	10...120 + 10...50
Screwdriver	Philips / Pozidriv		N° 2	N° 2	N° 2		N° 2	–	–	–
	Flat screwdriver Ø		Ø6	Ø6	Ø6		Ø6	–	Ø6...Ø8	–
Hexagonal key			–	–	–		–	4	4	4
Tightening torque		N.m	1.7	1.7	2.5		1.8	5: ≤ 25 mm ² 8: 35 mm ²	12 ⁽³⁾	12

Spring terminal connections ⁽²⁾ Deca contactors

Flexible cable without cable end	1 conductor	mm ²	2.5 (4: DT25)	4	4	4	–	10	–	–
	2 conductors	mm ²	2.5 (except DT25)	4	4	4	–	–	–	–

Connection by bars or lugs Deca contactors

Bar c.s.a.		–	–	–	–	–	–	–	3 x 16	5 x 25
Lug external Ø	mm	8	8	10	10	8	16.5	17	25	–
Ø of screw	mm	M3.5	M3.5	M4	M4	M3.5	M6	M6	M8	–
Screwdriver	Philips / Pozidriv		N° 2	N° 2	N° 2	N° 2	N° 2	–	–	–
	Flat screwdriver Ø		Ø6	Ø6	Ø6	Ø6	Ø6	–	Ø8	–
Key for hexagonal headed screw		–	–	–	–	–	10	10	–	–
Hexagonal key		–	–	–	–	–	–	–	–	6
Tightening torque		N.m	1.7	1.7	2.5	2.5	1.8	6	9	12

Control circuit connections

Connection by cable (tightening via screw clamps) Deca, Deca Advanced contactors

Flexible cable without cable end	1 conductor	mm ²	1...4	1...4	1...4	1...4	1...4	1...4	1...4	1...4
	2 conductors	mm ²	1...4	1...4	1...4	1...4	1...4	1...4	1...4	1...4
Flexible cable with cable end	1 conductor	mm ²	1...4	1...4	1...4	1...4	1...4	1...4	1...2.5	1...4
	2 conductors	mm ²	1...2.5	1...2.5	1...2.5	1...2.5	1...2.5	1...2.5	1...2.5	1...2.5
Solid cable without cable end	1 conductor	mm ²	1...4	1...4	1...4	1...4	1...4	1...4	1...4	1...4
	2 conductors	mm ²	1...4	1...4	1...4	1...4	1...4	1...4	1...4	1...4
Screwdriver	Philips / Pozidriv		N° 2	N° 2	N° 2	N° 2	N° 2	N° 2	N° 2	N° 2
	Flat screwdriver Ø		Ø6	Ø6	Ø6	Ø6	Ø6	Ø6	Ø6	Ø6
Tightening torque		N.m	1.7	1.7	1.7	1.7	1.7	1.7	1.2	1.7

Spring terminal connections ⁽²⁾ Deca contactors

Flexible cable without cable end	1 conductor	mm ²	2.5	2.5	2.5	2.5	–	2.5	0.75...2.5	–	–
	2 conductors	mm ²	2.5	2.5	2.5	2.5	–	2.5	0.75...2.5	–	–

Connection by bars or lugs Deca contactors

Lug external Ø	mm	8	8	8	8	8	8	8	8	–
Ø of screw	mm	M3.5	M3.5	M3.5	M3.5	M3.5	M3.5	M3.5	M3.5	–
Screwdriver	Philips / Pozidriv		N° 2	N° 2	N° 2	N° 2	N° 2	N° 2	N° 2	–
	Flat screwdriver Ø		Ø6	Ø6	Ø6	Ø6	Ø6	Ø6	Ø6	–
Tightening torque		N.m	1.7	1.7	1.7	1.7	1.7	1.7	1.2	–

⁽¹⁾ BTR screws: hexagon socket head. In accordance with local electrical wiring regulations, a size 4 insulated Allen key must be used (reference LADALLEN4, see page B8/125).

⁽²⁾ If cable ends are used, choose the next size down (example: for 2.5 mm², use 1.5 mm²) and square crimp the cable ends using a special tool.

⁽³⁾ Tightening torque for D80/ D95 (S207 Railway offers) is 5 N.m. Refer to LVCATRAIL_EN Catalogue for complete details on contactors for railway applications.

TeSys Control

Deca Advanced, Deca Contactors

Characteristics



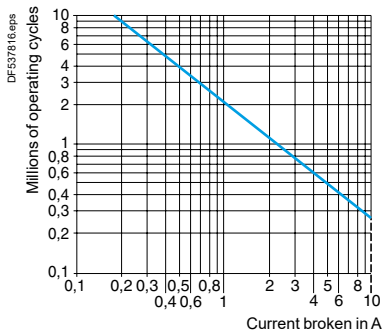
References:
p. B8/24 to B8/34

Dimensions:
p. B8/103 to B8/110

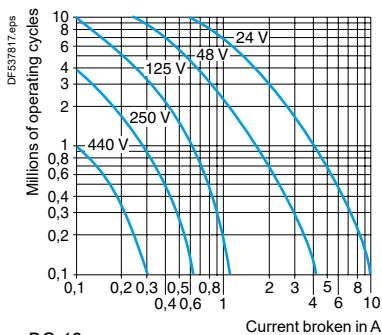
Schemes:
p. B8/111 to B8/112

Characteristics of auxiliary contacts incorporated in the contactor

Mechanically linked contacts	Conforming to IEC 60947-5-1		Each contactor has 2 N/O and N/C contacts mechanically linked on the same movable contact holder
Mirror contact	Conforming to IEC 60947-4-1		The N/C contact on each contactor represents the state of the power contacts and can be connected to a PREVENTA safety module
Rated operational voltage (Ue)	Up to	V	690 ⁽²⁾
Rated insulation voltage (Ui)	Conforming to IEC 60947-1	V	690
	Conforming to UL, CSA	V	600
Conventional thermal current (Ith)	For ambient temperature ≤ 60 °C	A	10
Frequency of the operational current		Hz	25...400
Minimum switching capacity $\lambda = 10^{-8}$	U min	V	17
	I min	mA	5
Short-circuit protection	Conforming to IEC 60947-5-1		gG fuse: 10 A
Rated making capacity	Conforming to IEC 60947-5-1, I rms	A	~: 140, ---: 250
Short-time rating	Permissible for	1 s	A 100
		500 ms	A 120
		100 ms	A 140
Insulation resistance		MΩ	> 10
Non-overlap time	Guaranteed between N/C and N/O contacts	ms	1.5 (on energisation and on de-energisation)
Tightening torque	Pozidriv / Phillips head n° 2 and Ø6	N.m	1.7



AC-15



DC-13

Operational power of contacts conforming to IEC 60947-5-1

AC supply, categories AC-14 and AC-15

Electrical durability (valid for up to 3600 operating cycles/hour) on an inductive load such as the coil of an electromagnet: making current ($\cos \varphi 0.7$) = 10 times the power broken ($\cos \varphi 0.4$).

Operating cycles	V	24	48	115	230	400	440	600
1 million	VA	60	120	280	560	960 ⁽¹⁾	1050	1440
3 million	VA	16	32	80	160	280	300	420
10 million	VA	4	8	20	40	70	80	100

DC supply, category DC-13

Electrical durability (valid for up to 1200 operating cycles/hour) on an inductive load such as the coil of an electromagnet, without economy resistor, the time constant increasing with the load.

Operating cycles	V	24	48	125	250	440
1 million	W	96	76	76	76	44
3 million	W	48	38	38	32	—
10 million	W	14	12	12	—	—

(1) LC1D115A, D150A and DT200A are validated under 780 VA up to 1200 operating cycles/hour.

(2) LC1D115A, D150A and DT200A are currently certified for Ue up to 600 V, with the design capabilities for Ue up to 690 V. Certification process is ongoing for Ue = 690 V.



References:
p. B8/43

Dimensions:
p. B8/103 to B8/108

Schemes:
p. B8/111 to B8/112

Environment							
Contact block type			LADN or LADC	LADT and LADS	LADR	LAD8	LADN●●R
			Non protected				
Conforming to standards			IEC/EN 60947-5-1, UL 60947-5-1, CSA C22.2 n° 60947-5-1, GB/T 14048.5				
Product certifications			UL, CSA, CCC, EAC, UKCA, CB certification				
Degree of protection		Conforming to IEC 60529	Protection against direct finger contact IP 2X				
Ambient air temperature around the device		Storage	°C -60...+80				
		Operation	°C -5...+60				-25...+70 ⁽¹⁾
Maximum operating altitude		Without derating	m 3000				
Connection by cable		Phillips n° 2 and Ø6 mm Flexible or solid cable with or without cable end	mm ² Min: 1 x 1; Max: 2 x 2.5				Max: 2 x 2.5
Tightening torque			N.m 1.7				
Spring terminal connections		Flexible or solid cable without cable end	mm ² Max: 2 x 2.5				
Instantaneous and time delay contact characteristics							
Number of contacts			1, 2 or 4	2	2	2	2 or 4
Rated operational voltage (Ue)		Up to	V 690				
Rated insulation voltage (Ui)		Conforming to IEC 60947-5-1	V 690				
		Conforming to UL, CSA	V 600				
Conventional thermal current (Ith)		For ambient temperature ≤ 60 °C	A 10				
Frequency of the operational current			Hz 25...400				
Minimum switching capacity		U min	V 17				
		I min	mA 5				1
Short-circuit protection		Conforming to IEC 60947-5-1 gG fuse	A 10				
Rated making capacity		Conforming to IEC 60947-5-1	I rms A ~: 140; ∴: 250				
Short-time rating		Permissible for 1 s	A 100				
		500 ms	A 120				
		100 ms	A 140				
Insulation resistance			MΩ > 10				
Non-overlap time		Guaranteed between N/C and N/O contacts	ms 1.5 (on energisation and on de-energisation)				
Overlap time		Guaranteed between N/C and N/O contacts on LADC22	ms 1.5	–	–	–	–
Time delay (LADT, R and S contact blocks) Accuracy only valid for setting range indicated on the front face		Ambient air temperature for operation	°C – -40...+70 -40...+70 – –				
		Repeat accuracy	– ±2 % ±2 % – –				
		Drift up to 0.5 million operating cycles	– +15 % +15 % – –				
		Drift depending on ambient air temperature	– 0.25 % per °C 0.25 % per °C – –				
Mechanical durability		In millions of operating cycles	30	5	5	30	30
Operational power of contacts			See page B8/98				See page B8/99
Degree of pollution			IP20				IP50 ⁽²⁾

⁽¹⁾ NC on-delay up to 200 ms under extreme low temperature: -40 to -25 °C.

⁽²⁾ IP50 for the contacts only, after installed on contactor.

TeSys Control

Deca Advanced, Deca Contactors - Auxiliary Contact Blocks

Characteristics



References:
p. B8/43

Dimensions:
p. B8/103 to B8/108

Schemes:
p. B8/111 to B8/112

Environment						
Contact block type (dust/damp protected)		LA1DX		LA1DZ (4 contacts: 2 protected + 2 non protected)		LA1DY
		Protected	Protected	Non protected	Protected	
Conforming to standards		IEC/EN 60947-5-1, UL 60947-5-1, CSA C22.2 n° 60947-5-1, GB/T 14048.5				
Product certifications		UL, CSA, CCC, EAC, UKCA, CB certification				
Degree of protection	Conforming to IEC 60529	Protection against direct finger contact IP 2X				
Ambient air temperature	Storage and operation	°C	-25...+70			
Cabling	Phillips n° 2 and Ø6 mm Flexible or solid conductor with or without cable end	mm ²	Min: 1 x 1; max: 2 x 2.5			
Tightening torque		N.m	1.7			
Number of contacts			2	2	2	2
Contact characteristics						
Rated operational voltage (U _e)	Up to	V _{ac}	125	125	690	125
		V _{dc}	30	30		30
Rated insulation voltage (U _i)	Conforming to IEC 60947-5-1	V	250	250	690	250
	Conforming to UL, CSA	V	–	–	600	–
Conventional thermal current (I _{th})	For ambient temperature ≤ 40 °C	A	–	–	10	–
Maximum operational current (I _e)		mA	100	100	–	100
Frequency of the operational current		Hz	–	–	25...400	–
Minimum switching capacity	U min I min	V	5	5	17	5
		mA	1	1	5	1
Short-circuit protection	Conforming to IEC 60947-5-1 gG fuse	A	–	–	10	–
Rated making capacity	Conforming to IEC 60947-5-1	I rms	A	–	~:140; ∞: 250	–
Short-time rating	Permissible for	1 s	A	–	100	–
		500 ms	A	–	120	–
		100 ms	A	–	140	–
Insulation resistance		MΩ	> 10	> 10	> 10	> 10
Mechanical durability	In millions of operating cycles		5	5	30	5
Materials and technology used for dust and damp protected contacts			Gold alloy - Single break	Gold alloy - Single break	–	Gold alloy - Single break with crossed bars



References:
p. B8/43

Dimensions:
p. B8/103 to B8/108

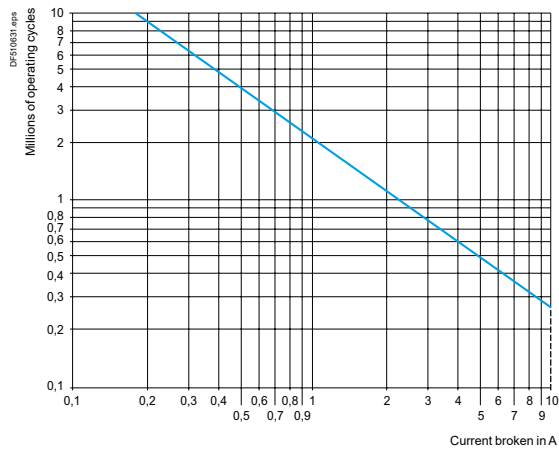
Schemes:
p. B8/111 to B8/112

Rated operational power of not dust/damp protected contacts (conforming to IEC 60947-5-1)

AC supply, categories AC-14 and AC-15

Electrical durability (valid for up to 3600 operating cycles/hour) on an inductive load such as the coil of an electromagnet: making current ($\cos \varphi 0.7$) = 10 times the power broken ($\cos \varphi 0.4$).

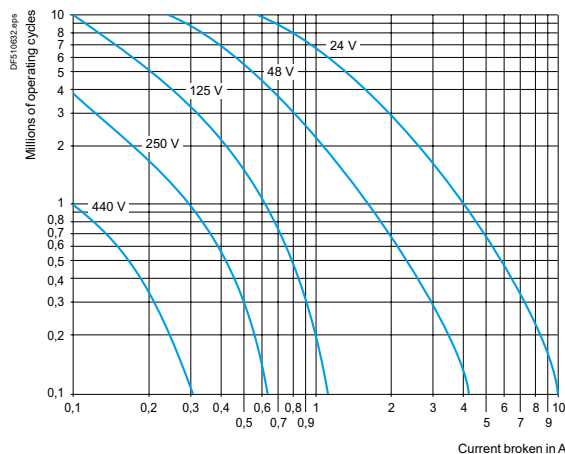
Operating cycles	V	24	48	115	230	400	440	600
1 million	VA	60	120	280	560	960	1050	1440
3 million	VA	16	32	80	160	280	300	420
10 million	VA	4	8	20	40	70	80	100



DC supply, category DC-13

Electrical durability (valid for up to 1200 operating cycles/hour) on an inductive load such as the coil of an electromagnet, without economy resistor, the time constant increasing with the load.

Operating cycles	V	24	48	125	250	440
1 million	W	96	76	76	76	44
3 million	W	48	38	38	32	–
10 million	W	14	12	12	–	–





References:
p. B8/43

Dimensions:
p. B8/107

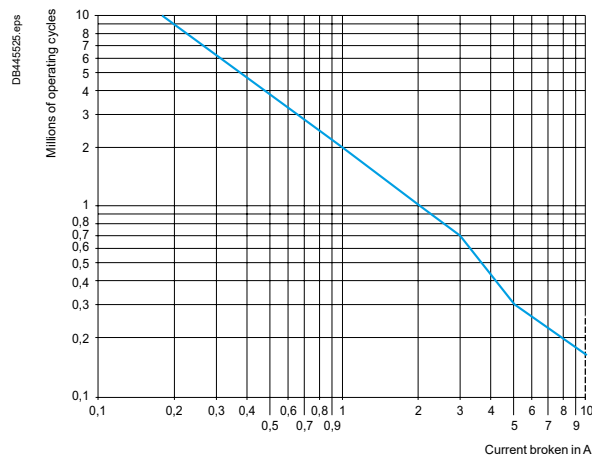
Schemes:
p. B8/111

LADN...R Rated operational power of not dust/damp protected contacts (conforming to IEC 60947-5-1)

AC supply, categories AC-14 and AC-15

Electrical durability (valid for up to 3600 operating cycles/hour when current less than 1A, up to 1800 operation cycles/hour when current more than 1A) on an inductive load such as the coil of an electromagnet: making current ($\cos \phi 0.7$) = 10 times the power broken ($\cos \phi 0.4$) same with LADN

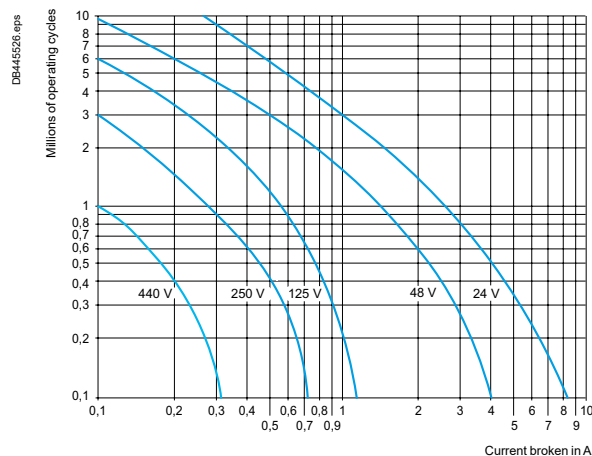
Operating cycles	V	24	48	115	230	400	440	600
1 million	VA	60	120	280	560	800	880	1200
2 million	VA	20	40	92	184	320	352	480
3 million	VA	16	32	80	160	280	300	420



DC supply, category DC-13

Electrical durability (valid for up to 1200 operating cycles/hour) on an inductive load such as the coil of an electromagnet, without economy resistor, the time constant increasing with the load.

Operating cycles	V	24	48	125	250	440
0.5 million	W	96	100	95	110	70
1 million	W	54	60	60	60	44
2 million	W	34	36	38	38	—
3 million	W	24	24	25	25	—





References:
p. B8/45 to B8/46

Dimensions:
p. B8/103 to B8/108

Schemes:
p. B8/112

Environment			
Conforming to standards			IEC/EN 60947-5-1, UL 60947-5-1, CSA C22.2 n° 60947-5-1, GB/T 14048.5
Product certifications			UL, CSA
Degree of protection	Conforming to IEC 60529		Protection against direct finger contact IP 2X
Ambient air temperature around the device	Storage	°C	-40...+80
	Operation	°C	-25...+55
	Permissible for operation at U _c	°C	-25...+70

Suppressor modules Deca contactors						
Module type			LA4DA, LAD4RC, LAD4RC3	LA4DB, LAD4T, LAD4T3	LA4DC, LAD4D3	LA4DE, LAD4V, LAD4V3
Type of protection			RC circuit	Bidirectional peak limiting diode	Diode	Varistor
Rated control circuit voltage (U _c)		V	~ 24...415	~ or ≡ 24...440	≡ 12...250	~ or ≡ 24...250
Maximum peak voltage			3 U _c	2 U _c	U _c	2 U _c
Natural RC frequency	24/48 V	Hz	400	–	–	–
	50/127 V	Hz	200	–	–	–
	110/240 V	Hz	100	–	–	–
	380/415 V	Hz	150	–	–	–

Mechanical latch blocks ⁽¹⁾ Deca, Deca Advanced contactors						
Mechanical latch block type			LAD6K10 ⁽²⁾	LA6DK20	LAD6K20	LAD6K20
For use on contactor			LC1D09...D80A DT20...DT80A	LC1D80...D95 LP1D80	LC1D115A...D150A LC1DT200A	
Product certifications			UL, CSA	UL, CSA	UL, CSA	
Rated insulation voltage	Conforming to IEC 60947-5-1	V	690	690	690	
Rated control circuit voltage	~ 50/60 Hz and ≡	V	24...415	24...415	24...415	
Power required	For unlatching	~	VA	25	25	25
		≡	W	30	30	30
Maximum operating rate	In operating cycles/hour		1200	1200	1200	
On-load factor			10 %	10 %	10 %	
Mechanical durability at U _c	In millions of operating cycles		0.5	0.5	0.1	

⁽¹⁾ Unlatching can be manually operated or electrically controlled (pulsed).

The LA6DK or LAD6K latch coil and the LC1D operating coil must not be energised simultaneously.

The duration of the LA6DK or LAD6K and LC1D control signals must be ≥ 100 ms.

⁽²⁾ LAD8N side mounted auxiliary contact blocks cannot be used with Deca Advanced contactors (LC1D40A...LC1D80A), when mounted with LAD6K mechanical latch block.

TeSys Control

Deca Advanced, Deca Contactors - Electronic Serial Timer

Characteristics



References:
p. B8/49

Dimensions:
p. B8/107 to B8/108

Schemes:
p. B8/112

Environment Deca, Deca Advanced contactors

Module type		LA4DT (On-delay)	
Conforming to standards			IEC 60255-5
Product certifications			UL, CSA
Degree of protection	Conforming to IEC 60529		Protection against direct finger contact IP 2X
Ambient air temperature around the device	Storage	°C	-40...+80
	Operation	°C	-25...+55
	For operation at U_c	°C	-25...+70
Rated insulation voltage (U_i)	Conforming to IEC 60947-1	V	250
Cabling	Phillips n° 2 and Ø6 mm Flexible or solid conductor with or without cable end	mm ²	Min: 1 x 1; max: 2 x 2.5
Tightening torque		N.m	1.7

Control circuit characteristics

Built-in protection	Of the input		By varistor
	Contactors coil suppression		By varistor
Rated control circuit voltage (U_c)		V	~ or =: 24...250
Permissible variation			0.8...1.1 U_c
Type of control			By mechanical contact only

Timing characteristics

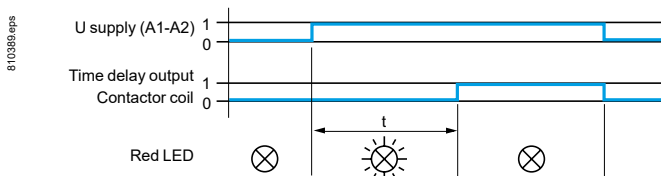
Timing ranges		s	0.1...2; 1.5...30; 25...500
Repeat accuracy	0...40 °C		±3 % (10 ms minimum)
Reset time	During time delay period	ms	150
	After time delay period	ms	50
Immunity to microbreaks	During time delay period	ms	10
	After time delay period	ms	2
Minimum control pulse duration		ms	–
Time delay signalling	By LED		Illuminates during time delay period

Switching characteristics (solid state type)

Maximum power dissipated		W	2
Leakage current		mA	< 5
Residual voltage		V	3.3
Overvoltage protection			3 kV; 0.5 joule
Electrical durability	In millions of operating cycles		30

Function diagram

Electronic on-delay timer LA4DT



TeSys Control

Deca Advanced, Deca Contactors - Interface Modules

Characteristics



References:
p. B8/49

Dimensions:
p. B8/107 to B8/108

Schemes:
p. B8/112

Environment Deca, Deca Advanced contactors

Conforming to standards		IEC 60255-5
Product certifications		UL, CSA
Degree of protection	Conforming to IEC 60529	Protection against direct finger contact IP 2X
Ambient air temperature around the device	Storage	°C -40...+80
	Operation	°C -25...+55
	Permissible for operation at U _c	°C -25...+70

Other characteristics

Module type		LA4DFB for Deca contactors With relay	LA4DWB for Deca, Deca Advanced contactors Solid state
Conventional thermal current (I _{th})	For ambient temperature ≤ 50 °C	A 8	
Rated insulation voltage	Conforming to IEC 60947-5-1	V 250	
Rated operational voltage	Conforming to IEC 60947-5-1	V 250	
Indication of input state		By integral LED which illuminates when the contactor coil is energised	
Input signals	Control voltage (E1-E2)	V --- 24	--- 24
	Permissible variation	V 17...30	5...30
	Current consumption at 20 °C	mA 25	8.5 for 5 V 15 for 24 V
	State "0" guaranteed for U	V < 2.4	< 2.4
	I	mA < 2	< 2
	State "1" guaranteed for U	V 17	5
Built-in protection	Against reversed polarity	By diode	By diode
	Of the input	By diode	By diode
Electrical durability at 220 A/240 V	In millions of operating cycles	10	20
Maximum immunity to microbreaks		ms 4	1
Power dissipated	At 20 °C	W 0.6	0.4
Direct mounting on contactor	With coil	~ 24...250 V	LC1D80 and D95
		~ 100...250 V	–
		~ 380...415 V	–
Mounting with cabling adapter LAD4BB	With coil	~ 24...250 V	LC1D09...D38, LC1DT20...DT40
		~ 380...415 V	–
Mounting with cabling adapter LAD4BB3	With coil	~ 24...250 V	LC1D40A...D80A
		~ 380...415 V	LC1D40A...D80A
Total operating time at U _c (of the contactor)	The operating times depend on the type of contactor electromagnet and its control mode. The closing time "C" is measured from the moment the coil supply is switched on to initial contact of the main poles. The opening time "O" is measured from the moment the coil supply is switched off to the moment the main poles separate.		
		LC1D09...D38, LC1DT20...DT40	LC1D40A...D80A
	With LA4DFB	"C" ms 20...30	28...34
		"O" ms 16...24	20...24
Cabling	Phillips n° 2 and Ø6 mm Flexible or solid cable with or without cable end	mm²	Min: 1 x 1; max: 2 x 2.5
	Tightening torque	N.m	1.7

TeSys Control

Deca Advanced Contactors

Dimensions

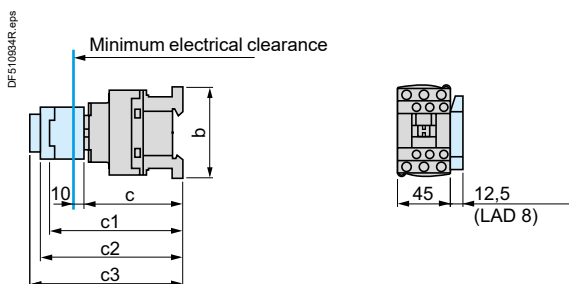


References:
p. B8/24 to B8/26

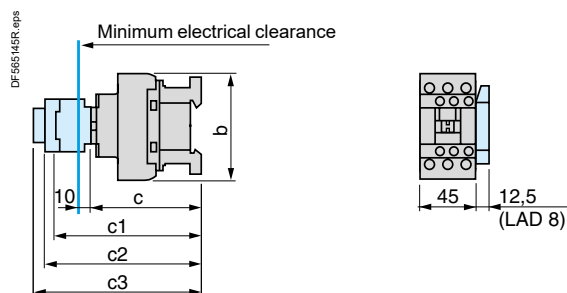
Characteristics:
p. B8/88 to B8/95

Schemes:
p. B8/111 to B8/112

LC1D09...D18 (3-pole), with AC/DC compatible coil

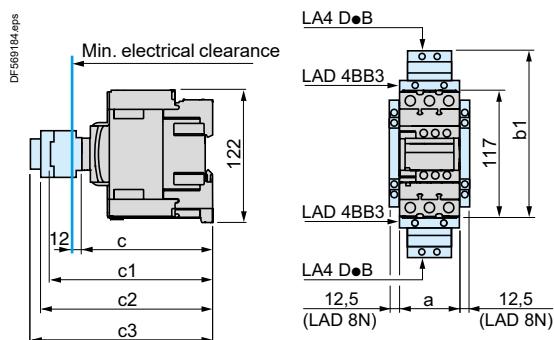


LC1D25...D38 (3-pole), with AC/DC compatible coil



LC1	D09...D18	D25...D38
b without add-on blocks	77	85
c without cover or add-on blocks	84	90
with cover, without add-on blocks	86	92
c1 with LADN or C (2 or 4 contacts)	117	123
c2 with LAD6K10	129	135
c3 with LADT, R, S	137	143
with LADT, R, S and sealing cover	141	147

LC1D40A...D80A (3-pole), LC1DT60A...DT80A (4-pole), with AC/DC compatible coil



LC1	D40A...D80A	DT60A...DT80A
a	55	70
b1 LAD4BB3	136	—
c without cover or add-on blocks	118	118
with cover, without add-on blocks	120	120
c1 with LADN (1 contact)	—	—
with LADN or C (2 or 4 contacts)	150	150
c2 with LAD6K10	163	163
c3 with LADT, R, S	171	171
with LADT, R, S and sealing cover	175	175

Contactors

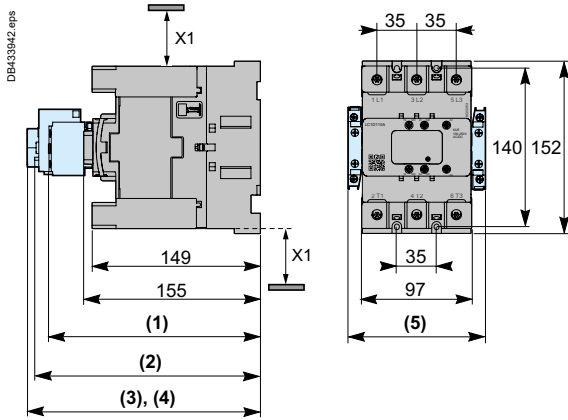


References:
p. B8/24 to B8/26

Characteristics:
p. B8/88 to B8/95

Schemes:
p. B8/111 to B8/112

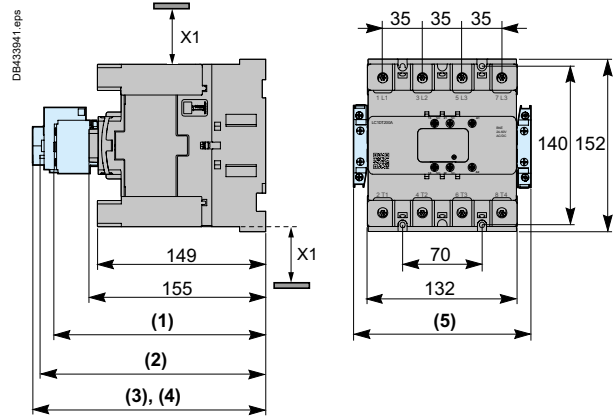
LC1D115A & D150A (3-pole)



All dimensions are in mm.

(1)	LC1D●●●A+LADN+LADC	187
(2)	LC1D●●●A+LAD6K20	196
(3)	LC1D●●●A+LADT+LADR+LADS	205
(4)	LC1D●●●A+LADT+LADR+LADS+LA9D901	209
(5)	LC1D●●●A+(2x LAD8N)	120
X1	Minimum electrical clearance	40

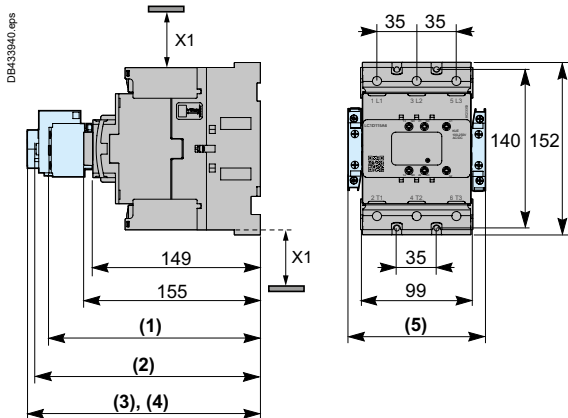
LC1DT200A (4-pole)



All dimensions are in mm.

(1)	LC1DT200A+LADN+LADC	187
(2)	LC1DT200A+LAD6K20	196
(3)	LC1DT200A+LADT+LADR+LADS	205
(4)	LC1DT200A+LADT+LADR+LADS+LA9D901	209
(5)	LC1DT200A+(2x LAD8N)	155
X1	Minimum electrical clearance	40

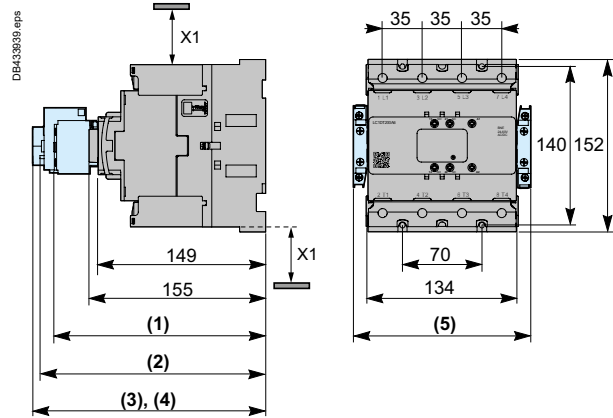
LC1D115A6 & D150A6 (3-pole)



All dimensions are in mm.

(1)	LC1D●●●A6+LADN+LADC	187
(2)	LC1D●●●A6+LAD6K20	196
(3)	LC1D●●●A6+LADT+LADR+LADS	205
(4)	LC1D●●●A6+LADT+LADR+LADS+LA9D901	209
(5)	LC1D●●●A6+(2x LAD8N)	120
X1	Minimum electrical clearance	40

LC1DT200A6 (4-pole)



All dimensions are in mm.

(1)	LC1DT200A6+LADN+LADC	187
(2)	LC1DT200A6+LA6DK20	196
(3)	LC1DT200A6+LADT+LADR+LADS	205
(4)	LC1DT200A6+LADT+LADR+LADS+LA9D901	209
(5)	LC1DT200A6+(2x LAD8N)	155
X1	Minimum electrical clearance	40

TeSys Control

Deca Advanced Contactors

Mounting



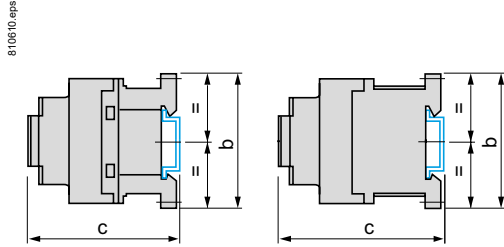
References:
p. B8/24 to B8/26

Characteristics:
p. B8/88 to B8/95

Schemes:
p. B8/111 to B8/112

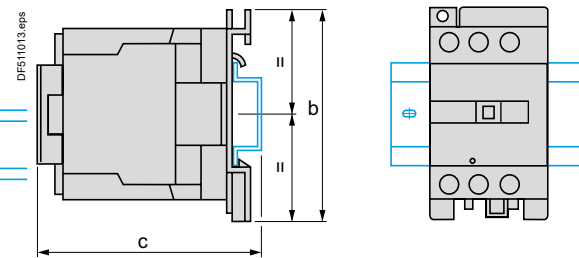
LC1D09...D38 (3-pole),
with AC/DC compatible coil

On mounting rail **NSYSR200B**, **NSYSR200BD** or **NSYSR200** (width 35 mm)



LC1D40A...D80A (3-pole), **LC1DT60A** and **DT80A** (4-pole),
with AC/DC compatible coil

On mounting rail **AM1DL201** (width 75 mm) ⁽²⁾
On mounting rail **NSSDPR●●** or **NSYSR200** (width 35 mm)



LC1	D09...D18	D25...D38
b	77	85
c (NSYSR200B or NSYSR200BD)	88	94
c (NSYSR200)	96	102

LC1	D40A...D80A DT60A...DT80A
b	122
c	–
c (AM1DL201)	–
c (NSSDPR●● or NSYSR200)	128

TeSys Control

Deca Advanced Contactors

Mounting



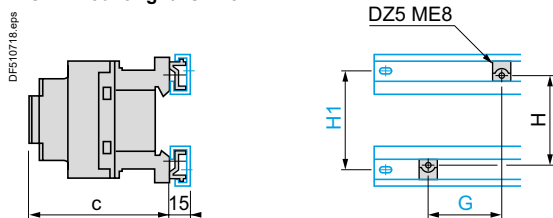
References:
p. B8/24 to B8/26

Characteristics:
p. B8/88 to B8/95

Schemes:
p. B8/111 to B8/112

LC1D09...D38 (3-pole), with AC/DC compatible coil

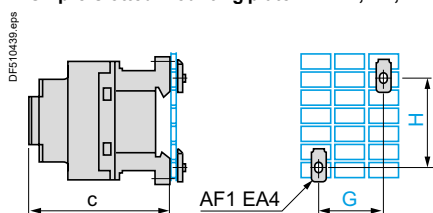
On 2 mounting rails DZ5MB



LC1	D09...D18	D25...D38
c with cover	86	92
G	35	35
H	60	60
H1	70	70

LC1D09...D38 (3-pole), with AC/DC compatible coil

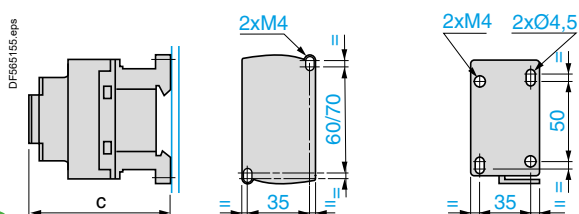
On pre-slotted mounting plate AM1PA, PB, PC



LC1	D09...D18	D25...D38
c with cover	86	92
G	35	35
H	60/70	60/70

LC1D09...D38 (3-pole), with AC/DC compatible coil

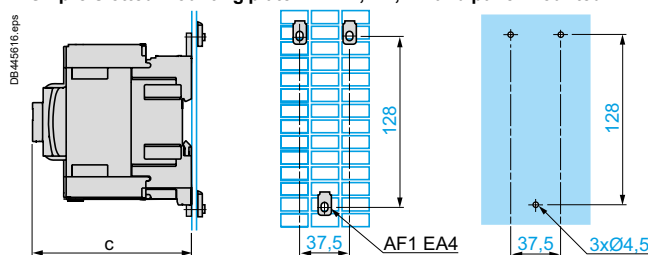
Panel mounted



LC1	D09...D18	D25...D38
c with cover	86	92

LC1D40A...D80A (3-pole), LC1DT60A...DT80A (4-pole), with AC/DC compatible coil

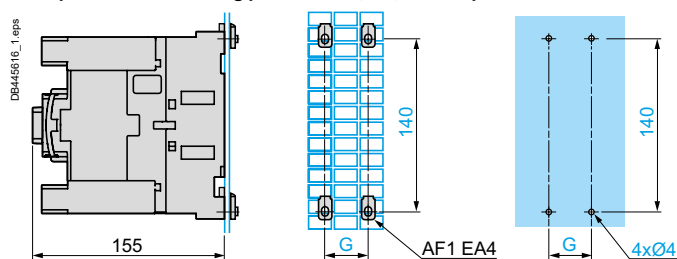
On pre-slotted mounting plate AM1PA, PB, PC and panel mounted



LC1	D40A...D80A, DT60A...DT80A
c with cover	120

LC1D115A...D150A (3-pole), LC1DT200A (4-pole), with AC/DC compatible coil

On pre-slotted mounting plate AM1PA, PB, PC and panel mounted



LC1	D115A	D115A6	D150A	D150A6	DT200A	DT200A6
G (3-pole)	35	35	35	35	70	70
G (4-pole)						

TeSys Control

Deca Contactors - AC Coil

Dimensions

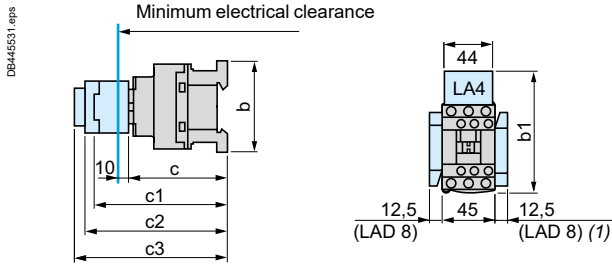


References:
p. B8/28 to B8/34

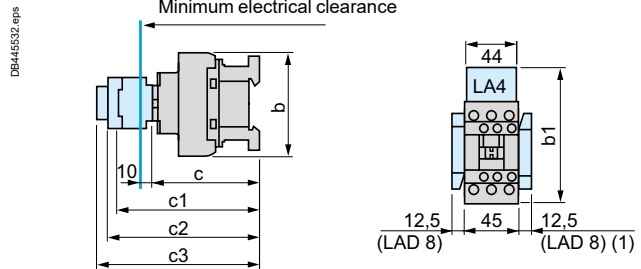
Characteristics:
p. B8/88 to B8/95

Schemes:
p. B8/111 to B8/112

LC1D09...D18 (3-pole)



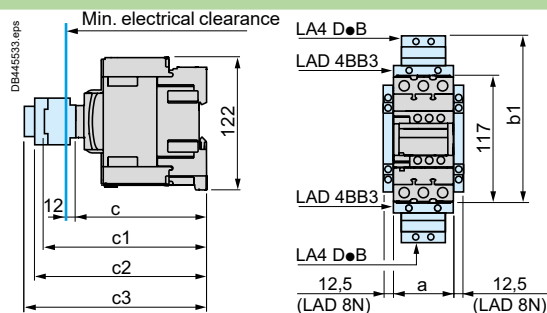
LC1D25...D38 (3-pole), LC1DT20...DT40 (4-pole)



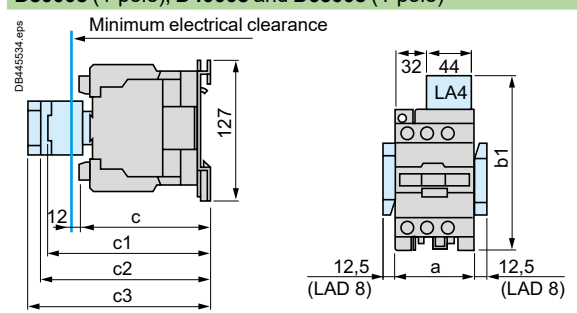
LC1	D09...D18	D093... D123	D099... D129	D25... D38	D183... D323	D098, D128, DT20 and DT25	DT203 and DT253	DT32 and DT40 D188...D258	D1883, D2583, DT323 and DT403
b without add-on blocks	77	99	80	85	99	85	99	91	105
b1 with LAD4BB	94	107	95,5	98	107	98	-	-	-
with LA4D●2	110 ⁽¹⁾	123 ⁽¹⁾	111,5 ⁽¹⁾	114 ⁽¹⁾	123 ⁽¹⁾	114	-	-	-
with LA4DF, DT	119 ⁽¹⁾	132 ⁽¹⁾	120,5 ⁽¹⁾	123 ⁽¹⁾	132 ⁽¹⁾	129	-	-	-
with LA4DW, DL	126 ⁽¹⁾	139 ⁽¹⁾	127,5 ⁽¹⁾	130 ⁽¹⁾	139 ⁽¹⁾	190	-	-	-
c without cover or add-on blocks	84	84	84	90	90	90	90	97	97
with cover, without add-on blocks	86	86	86	92	92	92	92	99	99
c1 with LADN or C (2 or 4 contacts)	117	117	117	123	123	123	123	131	131
c2 with LAD6K10	129	129	129	135	135	135	135	143	143
c3 with LADT, R, S	137	137	137	143	143	143	143	151	151
with LADT, R, S and sealing cover	141	141	141	147	147	147	147	155	155
with LADN●R (2 or 4 contacts)	120	120	120	126	126	126	126	134	134

(1) Including LAD4BB.

LC1D40A...D80A (3-pole), LC1DT60A...DT80A (4-pole)



LC1D80 and D95 (3-pole), LC1D80004 and D80008 (4-pole), D40008 and D65008 (4-pole)



LC1	D40A...D80A	DT60A...DT80A	D40008	D80	D95, D65008	D80004	D80008
a	55	70	85	85	85	96	96
b1 with LA4D●2	-	-	135	135	135	135	135
with LA4DB3 or LAD4BB3	136	-	-	135	-	-	-
with LA4DF, DT	157	-	142	142	142	142	142
with LA4DM, DW, DL	166	-	150	150	150	150	150
c without cover or add-on blocks	118	118	125	125	125	125	140
with cover, without add-on blocks	120	120	-	130	130	-	-
c1 with LADN (1 contact)	-	-	139	150	150	150	150
with LADN or C (2 or 4 contacts)	150	150	147	158	158	158	158
c2 with LAD6K10 or LA6DK	163	163	159	170	170	170	170
c3 with LADT, R, S	171	171	167	178	178	178	178
with LADT, R, S and sealing cover	175	175	171	182	182	182	182
with LADN●R (2 or 4 contacts)	153	153	150	161	161	161	161

TeSys Control

Deca Contactors - DC / Low Consumption Coil

Dimensions

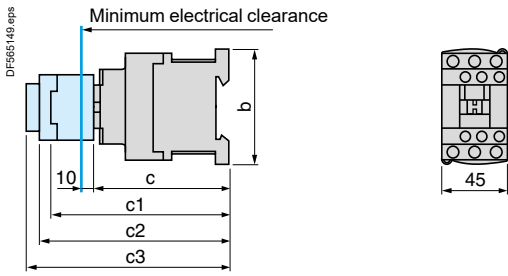


References:
p. B8/28 to B8/34

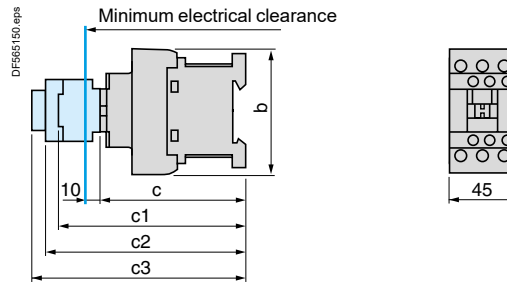
Characteristics:
p. B8/88 to B8/95

Schemes:
p. B8/111 to B8/112

LC1D09...D18 (3-pole)

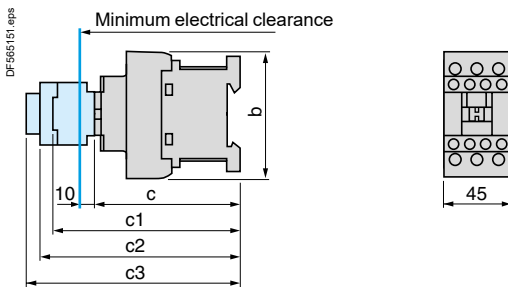


LC1D25...D38 (3-pole)



LC1	D09...D18	D093...D123	D099...D129	D25...D38	D183...D323
b	77	99	80	85	99
c without cover or add-on blocks	93	93	93	99	99
with cover, without add-on blocks	95	95	95	101	101
c1 with LADN or C (2 or 4 contacts)	126	126	126	132	132
c2 with LAD6K10	138	138	138	144	144
c3 with LADT, R, S	146	146	146	152	152
with LADT, R, S and sealing cover	150	150	150	156	156

LC1DT20...DT40 (4-pole)

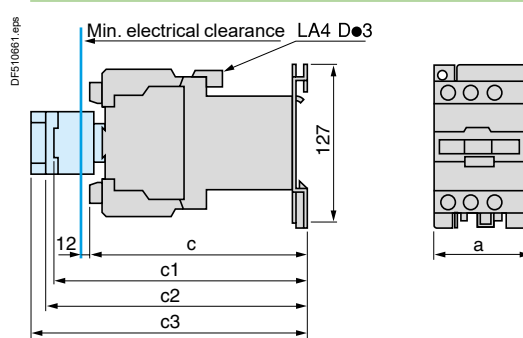
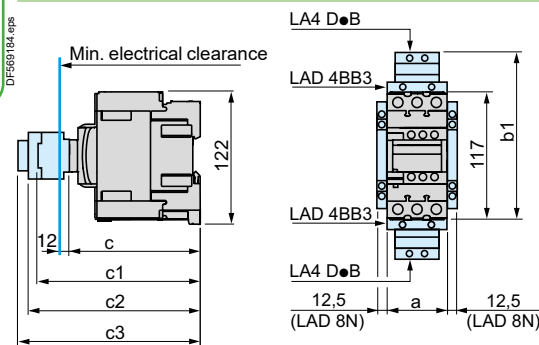


LC1	DT20 and DT25 D098 and D128	DT203 and DT253 D0983 and D1283	DT32 and DT40 D188...D258	DT323 and DT403 D1883 and D2583
b	85	99	91	105
c with cover	102	102	107	107
c1 with LADN or C (2 or 4 contacts)	133	133	138	138
c2 with LAD6K10	145	145	150	150
c3 with LADT, R, S	153	153	158	158
with LADT, R, S and sealing cover	157	157	162	162

LC1D40A...D80A (3-pole), LC1DT60A...DT80A (4-pole)

LC1D80 and D95 (3-pole), LP1D80004, LP1D80008 (4-pole), LP1D40008 and D65008 (4-pole)

Contactors



	LC1D40A ... D80A	LC1 DT60A...DT80A	LP1D40008 and D65008	LC1 D80 and D95	LP1D80004	LP1D80008
a	55	72	85	85	96	96
b1 with LAD4BB3	136	136	-	-	-	-
with LA4DF, DT	157	157	-	-	-	-
c without cover or add-on blocks	118	118	182	181	181	196
with cover, without add-on blocks	120	120	-	186	-	-
c1 with LADN (1 contact)	-	-	196	204	204	204
with LADN or C (2 or 4 contacts)	150	150	202	210	210	210
c2 with LAD6K10 or LA6DK20	163	163	213	221	221	221
c3 with LADT, R, S	171	171	221	229	229	229
with LADT, R, S and sealing cover	175	175	225	233	233	233



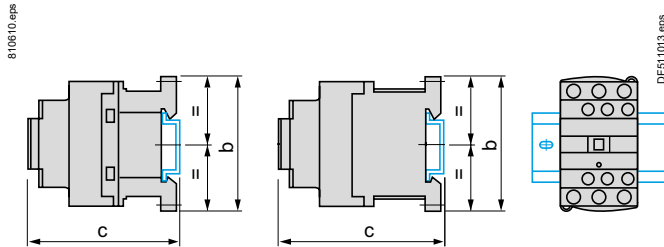
References:
p. B8/28 to B8/34

Characteristics:
p. B8/88 to B8/95

Schemes:
p. B8/111 to B8/112

LC1D09...D38, DT20...DT40

On mounting rail NSYSR200B, NSYSR200BD or NSYSR200
(width 35 mm)



Control circuit: AC

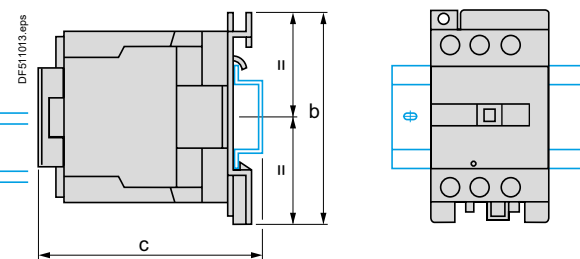
LC1	D09... D18	D25... D38	DT20 and DT25	DT32 and DT40
b	77	85	85	100
c (NSYSR200B or NSYSR200BD) ⁽¹⁾	88	94	94	101
c (NSYSR200) ⁽¹⁾	96	102	102	109

Control circuit: DC

LC1	D09... D18	D25... D38	DT20 and DT25	DT32 and DT40
b	77	85	85	109
c (NSYSR200B or NSYSR200BD) ⁽¹⁾	97	103	104	118
c (NSYSR200) ⁽¹⁾	105	110	111	126

LC1D40A...D80A, LC1DT60A and DT80A, LC1D80 and D95, LC1D40008 and D65008

On mounting rail AM1DL201 (width 75 mm) ⁽²⁾
On mounting rail NSSDPR●● or NSYSR200 (width 35 mm)



Control circuit: AC

LC1	D40A...D80A DT60A...DT80A	D80 and D95	D40008 and D65008
b	122	127	127
c	–	147	143
c (AM1DL201) ⁽¹⁾	–	137	133
c (NSSDPR●● or NSYSR200) ⁽¹⁾	128	137	133

Control circuit: DC

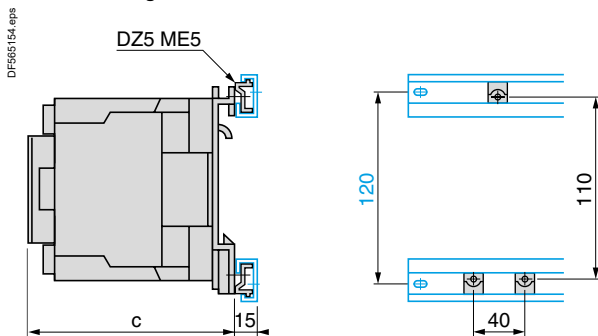
LC1	D40A...D80A DT60A...DT80A	D80 and D95	D40008 and D65008
b	–	205	200
c (AM1DL201) ⁽¹⁾	–	195	190
c (NSSDPR●● or NSYSR200) ⁽¹⁾	128	–	190

⁽¹⁾ With safety cover.

⁽²⁾ Except for LC1D40A...D80A, LC1DT60A and DT80A.

LC1D80 and D95, LP1D80

On 2 mounting rails DZ5MB on 120 mm centres



Control circuit: AC

LC1	D80 and D95
c with cover	130

Control circuit: DC ⁽³⁾

LC1	D80 and D95
c with cover	186

LP1	D80
c	181

⁽³⁾ Leave a 9 mm gap between 2 contactors if left on for more than 4 hours.

TeSys Control Deca Contactors

Mounting



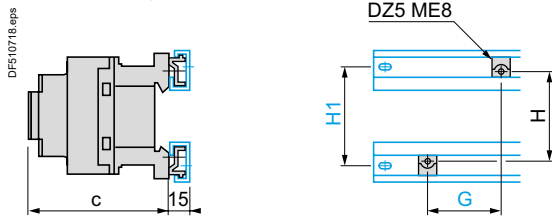
References:
p. B8/28 to B8/34

Characteristics:
p. B8/88 to B8/95

Schemes:
p. B8/111 to B8/112

LC1D09...D38 and LC1DT20...DT40

On 2 mounting rails DZ5MB



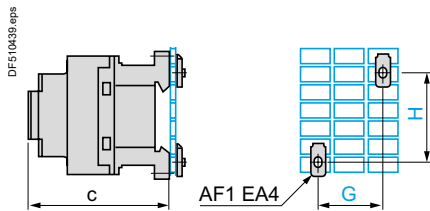
Control circuit:	AC		DC	
LC1	D09...D18	D25...D38	D09...D18	D25...D38
c with cover	86	92	95	101
G	35	35	35	35
H	60	60	70	70
H1	70	70	70	70

4-pole contactors

LC1	DT20 and DT25	DT32 and DT40	DT20 and DT25	DT32 and DT40
c	92	99	102	107
G	35	35	35	35
H	60	60	70	70
H1	70	70	70	70

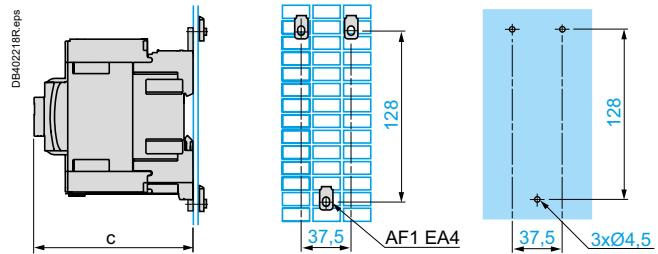
LC1D09...D38 and LC1DT20...DT40

On pre-slotted mounting plate AM1 PA, PB, PC



LC1D40A...D80A, LC1DT60A...DT80A

On pre-slotted mounting plate AM1 PA, PB, PC and panel mounted



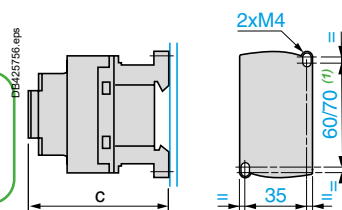
Control circuit:	AC		DC	
LC1	D09...D18	D25...D38	D09...D18	D25...D38
c with cover	86	92	95	101
G	35	35	35	35
H	60/70	60/70	70	70

LC1	DT20 and DT25	DT32 and DT40	DT20 and DT25	DT32 and DT40
c with cover	92	99	102	107
G	35	35	35	35
H	60	60	70	70

Control circuit:	AC	DC
LC1	D40A...D80A, DT60A...DT80A	D40A...65A, DT60A...DT80A
c with cover	120	120

LC1D09...D38, LC1DT20...DT40

Panel mounted



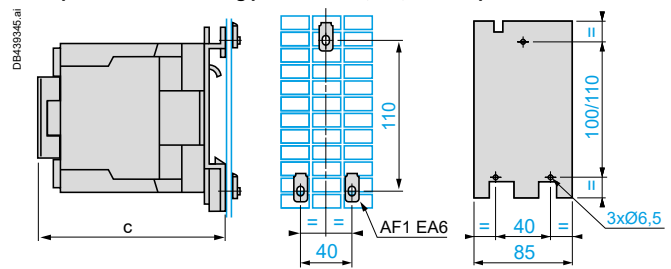
(1) for DC coil: 70 mm only.

Control circuit:	AC		DC	
LC1	D09...D18	D25...D38	D09...D18	D25...D38
c with cover	86	92	95	101

4-pole contactors	DT20 and DT25	DT32 and DT40	DT20 and DT25	DT32 and DT40
c with cover	92	99	102	107

LC1D80 and D95, LC1D40008 and D65008, LP1D80

On pre-slotted mounting plate AM1 PA, PB, PC and panel mounted



Control circuit:	AC	DC
LC1	D80 and D95, D40008 and D65008	D80 and D95, D40008 and D65008
c with cover	130	186
LP1	-	D80
c without cover	-	181

Contactors



References:
p. B8/24 to B8/46

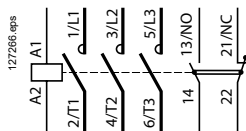
Characteristics:
p. B8/88 to B8/102

Dimensions:
p. B8/107 to B8/108

Contactors

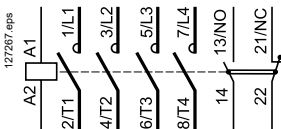
Deca Advanced, Deca 3-pole contactors (References: pages B8/24 to B8/31)

LC1D09 to D150A

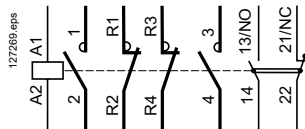


Deca Advanced, Deca 4-pole contactors (References: pages B8/32 and B8/33)

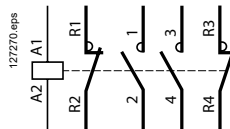
LC1DT20 to DT200A



LC1D098 to D258



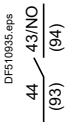
LC1 and LP1D40008 to D80008



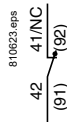
Front mounting add-on contact blocks

Instantaneous auxiliary contacts for Deca Advanced, Deca contactors (References: page B8/43)

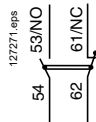
1 N/O LADN10 ⁽¹⁾



1 N/C LADN01 ⁽¹⁾



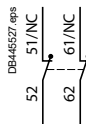
1 N/O + 1 N/C LADN11, LADN11R



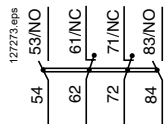
2 N/O LADN20, LADN20R



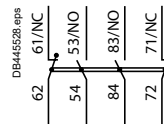
2 N/C LADN02



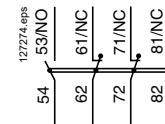
2 N/O + 2 N/C LADN22



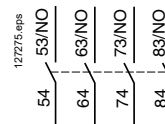
2 N/O + 2 N/C LADN22R



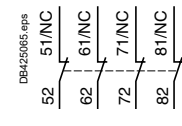
1 N/O + 3 N/C LADN13



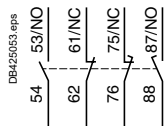
4 N/O LADN40, LADN40R



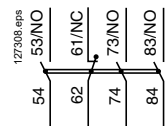
4 N/C LADN04



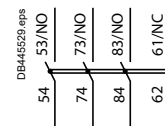
2 N/O + 2 N/C including 1 N/O + 1 N/C make before break LADC22



3 N/O + 1 N/C LADN31

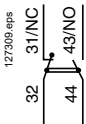


3 N/O + 1 N/C LADN31R



Instantaneous auxiliary contacts conforming to standard EN 50012 for Deca, Deca Advanced contactors (References: page B8/43)

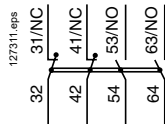
1 N/O + 1 N/C LADN11G



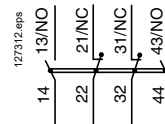
1 N/O + 1 N/C LADN11P



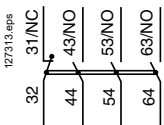
2 N/O + 2 N/C LADN22G



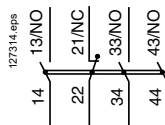
2 N/O + 2 N/C LADN22P



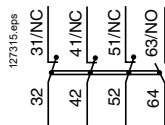
3 N/O + 1 N/C LADN31G



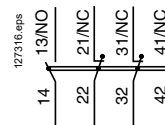
3 N/O + 1 N/C LADN31P



1 N/O + 3 N/C LADN13G



1 N/O + 3 N/C LADN13P



(1) Items in brackets refer to blocks mounted on right-hand side of contactor.



References:
p. B8/43 to B8/49

Characteristics:
p. B8/96 to B8/101

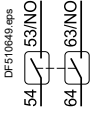
Dimensions:
p. B8/107 to B8/108, B8/103

Front mounting add-on contact blocks for Deca Advanced, Deca contactors

Dust and damp protected instantaneous auxiliary contacts (References: page B8/43)

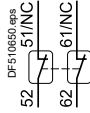
2 N/O (24-50 V)

LA1DX20

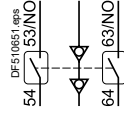


2 N/C (24-50 V)

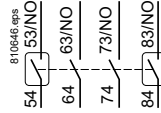
LA1DX02



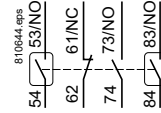
2 N/O (5-24V) with 2 cable screen terminals
LA1DY20



2 N/O protected (24-50 V)
2 N/O standard
LA1DZ40



2 N/O protected (24-50 V)
+ 1 N/O + 1 N/C standard
LA1DZ31

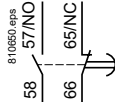


Time delay auxiliary contacts (References: page B8/45)

On-delay 1 N/O + 1 N/C
LADT



Off-delay 1 N/O + 1 N/C
LADR

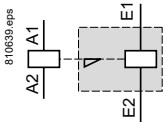


On-delay 1 N/C + 1 N/O break before make
LADS



Mechanical latch blocks for Deca Advanced, Deca contactors

LAD6K10 and LA6DK20



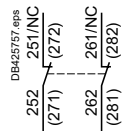
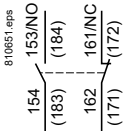
Side mounting add-on contact blocks for Deca Advanced, Deca contactors

Instantaneous auxiliary contacts (References: page B8/43)

1 N/O + 1 N/C LAD8N11 ⁽¹⁾

2 N/O LAD8N20 ⁽¹⁾

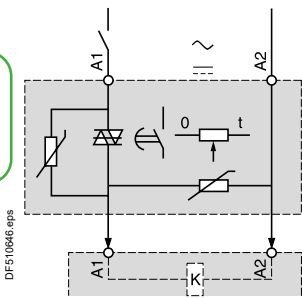
2 N/C LAD8N02 ⁽¹⁾



⁽¹⁾ Items in brackets refer to blocks mounted on right-hand side of contactor.

Electronic serial timer modules for Deca Advanced, Deca contactors

On-delay LA4DTeU

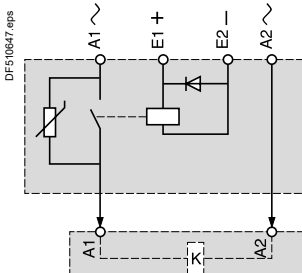


Contactors

Interface modules

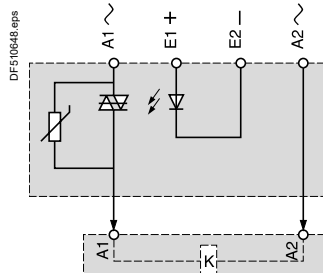
Relay output for Deca contactors

LA4DFB



Solid state for Deca Advanced, Deca contactors

LA4DWB



References: page B8/49.

TeSys Control

Deca Advanced, Deca Reversing and Changeover Contactors

Dimensions



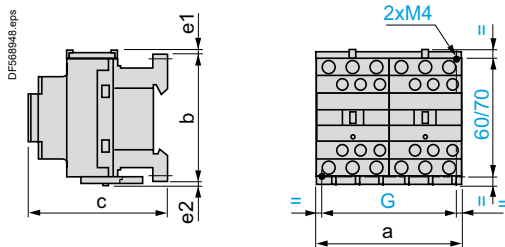
References:
p. B8/36 to B8/39

Characteristics:
p. B8/88 to B8/95

Schemes:
p. B8/114 to B8/115

LC2D09 to D38 Deca Advanced, Deca contactors

2 x LC1D09 to D38



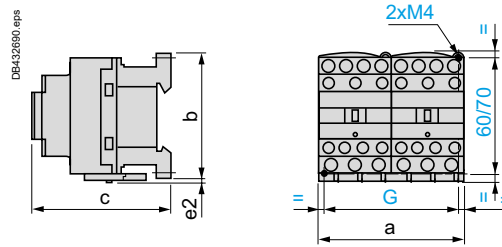
LC2 or 2 x LC1	a	b	c ⁽¹⁾	e1	e2	G
D09 to D18 AC, AC/DC	90	77	86	4	1.5	80
D093 to D123 AC	90	99	86	–	–	80
D09 to D18 DC	90	77	95	4	1.5	80
D093 to D123 DC	90	99	95	–	–	80
D25 to D38 AC, AC/DC	90	85	92	9	5	80
D183 to D383 AC	90	99	92	–	–	80
D25 to D32 DC	90	85	101	9	5	80
D183 to D383 DC	90	99	101	–	–	80

e1 and e2: including cabling.

(1) With safety cover, without add-on block.

LC2DT20 to DT40 Deca contactors

2 x LC1DT20 to DT40

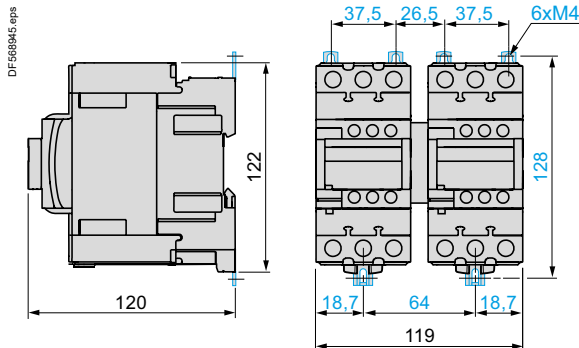


LC2 or 2 x LC1	a	b	c	G	e2
DT20 and DT25 AC	90	85	92	80	20
DT32 and DT40 AC	90	91	99	80	22
DT20 and DT25 DC	90	85	102	80	20
DT32 and DT40 DC	90	91	109	80	22

c, e: including cabling.

LC2D40A to D80A for Deca Advanced, Deca contactors

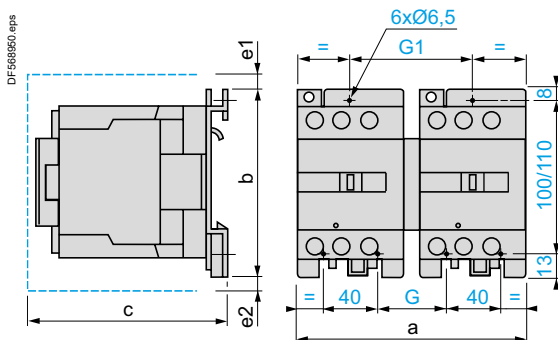
2 x LC1D40A to D80A



LC2D80 and D95 Deca contactors

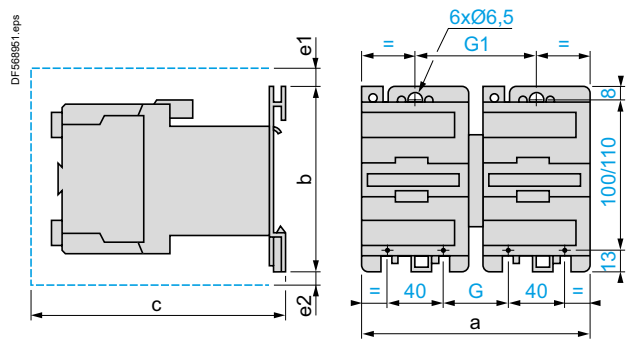
2 x LC1D80 and D95 ~

2 x LC1D80 and D95 ...



LC2 or 2 x LC1	a	b	c	e1	e2	G	G1
D80 and D95 ~	182	127	158	13	–	56	96
D80004 ~	207	127	158	–	20	71	111

c, e1 and e2: including cabling.



2 x LC1	a	b	c	e1	e2	G	G1
D80 and D95	182	127	215	13	20	56	96

c, e1 and e2: including cabling.

TeSys Control

Deca Advanced, Deca Reversing and Changeover Contactors

Schemes



References:
p. B8/36 to B8/35

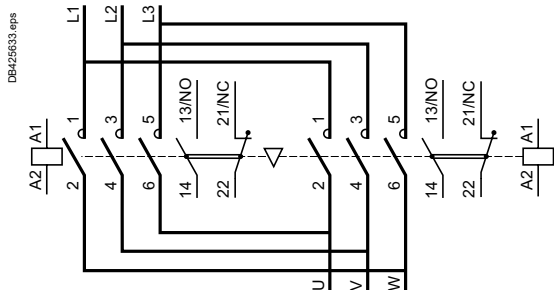
Characteristics:
p. B8/88 to B8/95

Schemes:
p. B8/111 to B8/112

Reversing contactors for motor control

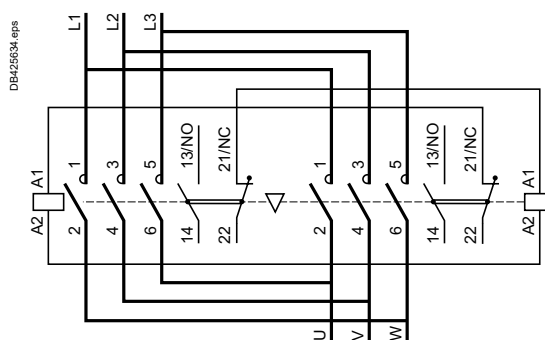
LC2D09...D80A Deca Advanced, Deca contactors
LC2D80 Deca contactors

Horizontally mounted



LAD9R1V – Kit for assembling LC1D09-D38 Deca Advanced, Deca contactors

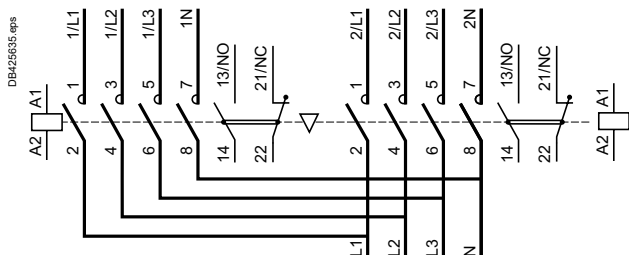
With integral electrical interlocking



Changeover contactor pairs Deca contactors

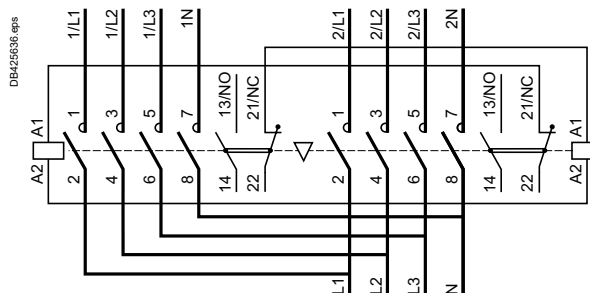
LC2DT20...DT40

Horizontally mounted



LADT9R1V – Kit for assembling LC2DT20...DT40 Deca contactors

With integral electrical interlocking



TeSys Control

Deca Advanced, Deca Reversing and Changeover Contactors

Schemes



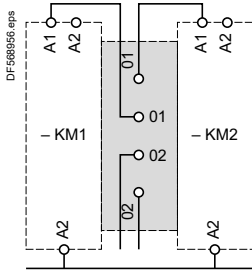
References:
p. B8/36 to B8/35

Characteristics:
p. B8/88 to B8/95

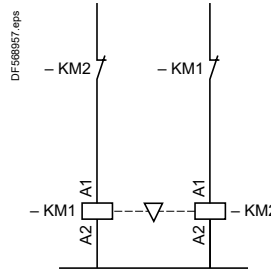
Schemes:
p. B8/111 to B8/112

Electrical interlocking of Deca Advanced, Deca reversing contactors fitted with:

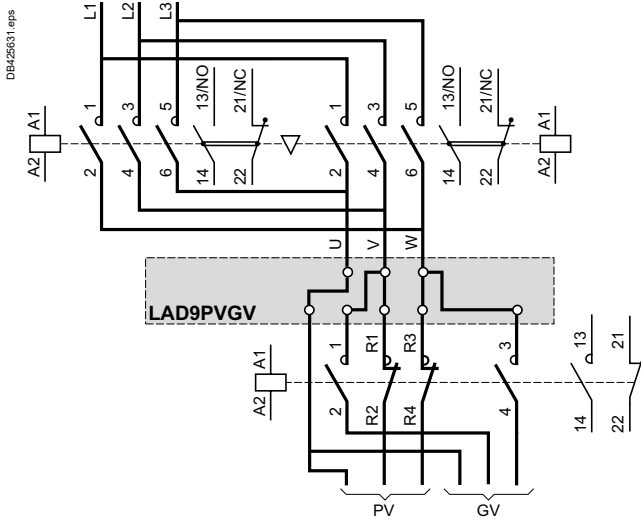
Mechanical interlock with integral electrical contacts
LA9D4002 and LA9D8002 (Deca)



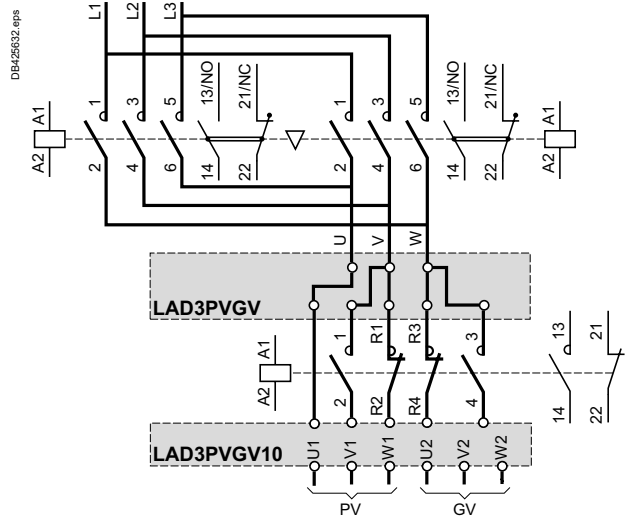
Mechanical interlock without integral electrical contacts
LAD9V2, LAD4CM and LAD5CM (Deca Advanced)
LA9D50978 and LA9D80978 (Deca)



Low speed - High speed cabling kit, screw clamp terminals for LC1D09... D38 contactors (Deca Advanced, Deca)



Low speed - High speed cabling kit, spring terminals for LC1D09... D38 contactors (Deca)



TeSys Control

Deca Contactors for 3-phase Capacitor Bank Switching

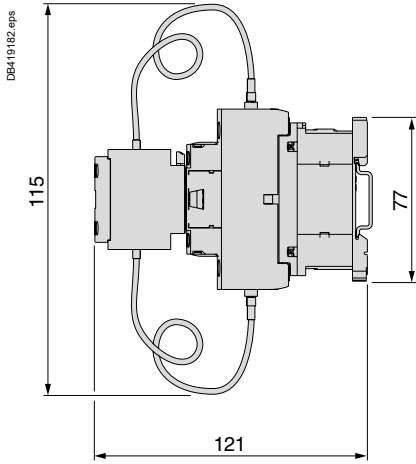
Dimensions and scheme



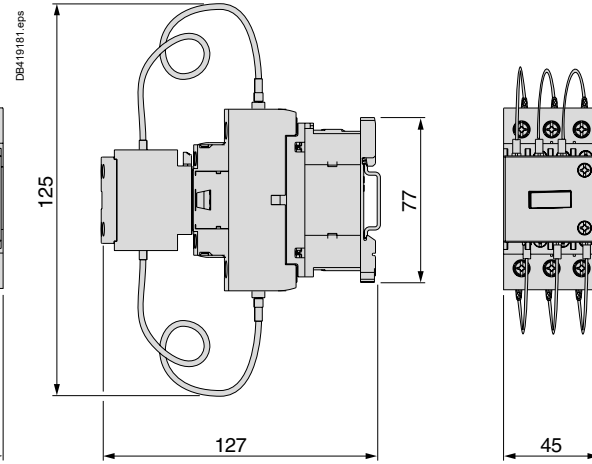
References:
p. B8/40

Dimensions

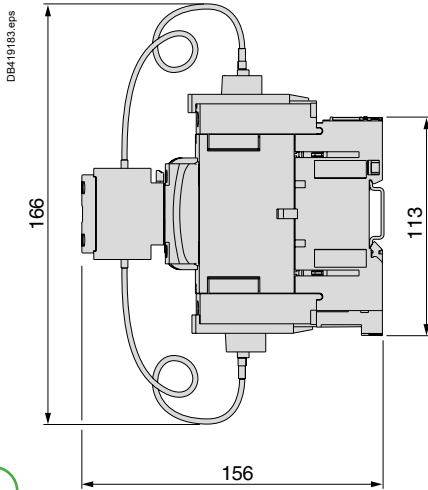
LC1DFK



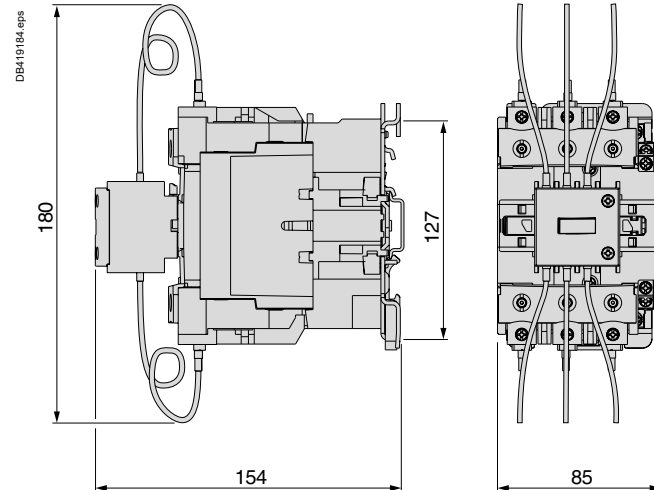
LC1DGK, DLK, DMK



LC1DPK, DTK



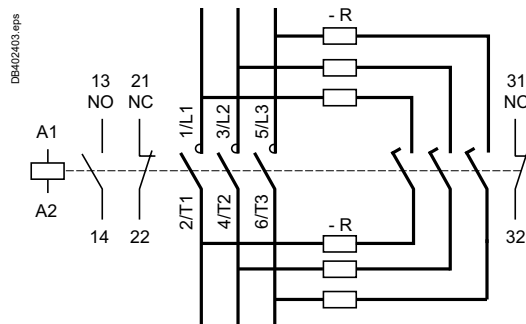
LC1DWK



Contactors

Scheme

LC1D●K



R = Pre-wired resistor connections.

TeSys Control Modular Contactors

Characteristics



References:
p. B8/59

Dimensions:
p. B8/124 to B8/125

Schemes:
p. B8/126



FB113076_10.eps

GC25

Modular contactors are designed for use in modular panels and enclosures.

These contactors feature:

■ **Easy installation:**

- quick clip-on fixing and locking onto 35 mm omega rail
- easy connection by means of ready-to-tighten, captive, pozidrive screw terminals.

■ **Compact size:**

All units have a common depth of 60 mm and width in modules of 17.5 mm (width of one module: 17.5 mm).

■ **User safety:**

- use of materials conforming to strictest fire safety standards
- live parts protected against direct finger contact
- completely safe operation
- state indication on front panel.

Standards

This range of modular contactors has been designed taking into account the requirements of international standard IEC 61095.

This standard is specific to "Electromagnetic contactors for domestic and similar use".

It has very strict requirements, meeting the expectations of users, with regard to the safety of equipment and persons in "premises and areas accessible to the public".

Conformity with this standard makes it possible to obtain the following quality labels without the need for additional tests: NF-USE, VDE, CEBEC, etc.

Applications

Modular contactors are designed for switching all single-phase, 3-phase or 4-phase loads up to 100 A.

Power switching

These contactors have multiple applications in industrial, agricultural and commercial premises, hospitals and the home, i.e. wherever switching of a specific supply is required:

- lighting
- heating
- ventilation
- motorised shutters or gates.

TeSys Control

Modular Contactors

Characteristics



References:
p. B8/59

Dimensions:
p. B8/124 to B8/125

Schemes:
p. B8/126

Environment								
Contactor type			GC16	GC25	GC40	GC63	GC100	
Rated insulation voltage (Ui)	Conforming to IEC 61095	V	500					
	Conforming to VDE 0110	V	500					
Rated impulse withstand voltage (Uimp)		kV	4 in enclosure					
Conforming to standards			IEC 61095 and IEC 60947-5-1 for auxiliary contacts					
Degree of protection	Conforming to IEC 60529		Protection against direct finger contact (IP 20 open, IP 40 in enclosure)					
Ambient air temperature around the device	Storage	°C	-40...+70					
	Operation	°C	-5...+50 (0.85...1.1 Uc)					
Maximum operating altitude	Without derating	m	3000					
Operating positions	Without derating		±30° in relation to normal vertical mounting plane					
Shock resistance 1/2 sine wave = 10 ms Conforming to IEC/EN 60068-2-27	Contactor open		10 gn					
	Contactor closed		15 gn					
Vibration resistance 5...300 Hz Conforming to IEC/EN 60068-2-6	Contactor open		2 gn					
	Contactor closed		3 gn					
Flame resistance			Conforming to IEC 61095					
Pole characteristics								
Number of poles			2, 3 or 4					
Rated operational current (Ie) (Ue ≤ 440 V)	In AC-7a (heating)	A	16	25	40	63	100	
	In AC-7b (motor control)	A	5	8.5	15	25	–	
Contactor rating	40 °C	A	16	25	40	63	100	
	50 °C	A	14	22	36	57	87	
	60 °C (1)	A	13	20	32	50	80	
Rated operational voltage (Ue)	Up to	V	250 two-pole contactors, 415 three and four-pole contactors					
Frequency limits	Of the operating current	Hz	400					
Conventional thermal current (Ith)	θ ≤ 50 °C	A	16	25	40	63	100	
Rated breaking and making capacity	Conforming to IEC 61095 (AC-7b) I rms 400 V 3-phase	A	40	68	120	200	–	
Permissible short time rating no current flowing for preceding 15 minutes with q ≤ 40 °C	For 10 s	A	128	200	320	504	800	
	For 30 s	A	40	62	100	157	250	
Short-circuit protection by fuse or circuit breaker U ≤ 440 V	gl fuse	A	16	25	40	63	100	
	Circuit breaker I ² t 230 V (at 3 kA rms prospective)	A ² s	5000	10000	16000	18000	–	
	400 V	A ² s	9000	14000	17500	20000	–	
Electrical durability in operating cycles	AC-7a, AC-7b		100000	100000	100000	100000	30000	
Average impedance per pole	At Ith and 50 Hz	mΩ	2.5	2.5	2	2	1	
Power dissipated per pole	For the above operational currents	W	0.65	1.6	3.2	8	10	
Maximum cabling c.s.a.	Flexible cable without cable end	1 conductor	mm ²	6	6	25	25	35
		2 conductors	mm ²	4	4	16	16	–
	Flexible cable with cable end	1 conductor	mm ²	6	6	16	16	35
		2 conductors	mm ²	1.5	1.5	4	4	–
	Solid cable without cable end	1 conductor	mm ²	6	6	25	25	35
		2 conductors	mm ²	4	4	6	6	10
Tightening torque	Power circuit connections	N.m	0.8	0.8	3.5	3.5	3.5	

(1) Ventilation 1/2 module must be fitted.

TeSys Control Modular Contactors

Characteristics



References:
p. B8/59

Dimensions:
p. B8/124 to B8/125

Schemes:
p. B8/126

Control circuit characteristics				GC16, GC25 single or 2-pole	GC16, GC25 3 or 4-pole GC40, GC63 2-pole	GC40, GC63 3 or 4-pole GC100 2-pole	GC100 4-pole
Rated control circuit voltage (Uc)	50 or 60 Hz	V	12...240 V, for other voltages, please consult your Regional Sales Office				
Control voltage limits ($\theta \leq 50$ °C)	50 Hz coils	Operational	0.85...1.1 Uc				
		Drop-out	0.2...0.75 Uc				
Average coil consumption at 20 °C and at Uc	~ 50 Hz	Inrush	VA	15	34	53	106
		Sealed	VA	3.8	4.6	6.5	13
Maximum heat dissipation	50/60 Hz	W	1.3	1.6	2.1	4.2	
Operating time	Closing "C"	ms	10...30				
	Opening "O"	ms	10...25				
Mechanical durability	In operating cycles		10 ⁶				
Maximum operating rate at ambient temperature ≤ 50 °C	In operating cycles per hour		300				
Maximum cabling c.s.a.	Flexible cable without cable end	1 or 2 conductors	mm²	2.5			
		1 conductor	mm²	2.5			
	Flexible cable with cable end	2 conductors	mm²	1.5			
		Solid cable without cable end	1 or 2 conductors	mm²	1.5		
Tightening torque		N.m	0.8				
Instantaneous auxiliary contact characteristics							
Rated operational voltage (Ue)	Up to	V	250				
Rated insulation voltage (Ui)	Conforming to IEC 60947-5	V	500				
		Conforming to VDE 0110	V	500			
Conventional thermal current (Ith)	For ambient $\theta \leq 50$ °C	A	5				
Mechanical durability	Operating cycles		10 ⁶				
Maximum cabling c.s.a.	Flexible or solid conductor	mm²	2.5				
Tightening torque		N.m	0.8				



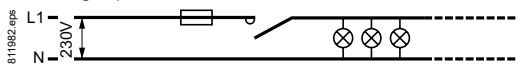
References:
p. B8/59

Dimensions:
p. B8/124 to B8/125

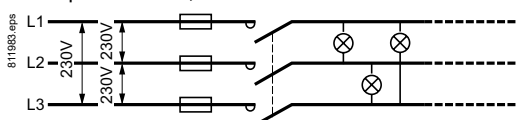
Schemes:
p. B8/126

Lighting (Maximum number of lamps depending on the power of each unit) Introduction of installations according to type of supply

■ Single-phase circuit, 230 V

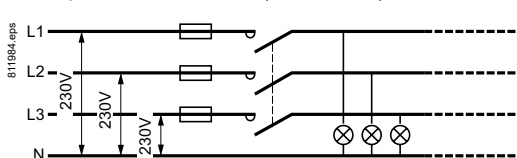


■ 3-phase circuit, 230 V



The maximum number of lamps which can be operated per phase is equal to the number of lamps in the "single phase 230 V" table divided by $\sqrt{3}$.

■ 3-phase circuit, 400 V (with neutral)



The maximum number of lamps which can be operated per phase is equal to the total number of lamps in the "single-phase 230 V" table.

Contactor rating for a single-phase 230 V circuit (single-pole)

Fluorescent lamps with starter

Single fitting	Non corrected					With parallel correction					Contactor rating
	P (W)	20	40	50	80	110	20	40	58	80	
I _B (A)	0.39	0.43	0.70	0.80	1.2	0.19	0.29	0.46	0.57	0.79	–
C (μF)	–	–	–	–	–	5	5	7	7	16	–
Maximum number of lamps	22	20	13	10	7	15	15	10	10	5	16 A
	30	28	17	15	10	20	20	15	15	7	25 A
	70	60	35	30	20	40	40	30	30	14	40 A
	100	90	56	48	32	60	60	43	43	20	63 A
Twin fitting	Non corrected					With series correction					Contactor rating
	P (W)	2 x 18	2 x 36	2 x 58	2 x 80	2 x 140	2 x 18	2 x 36	2 x 58	2 x 80	
I _B (A)	0.44	0.82	1.34	1.64	2.2	0.26	0.48	0.78	0.96	1.3	–
C (μF)	–	–	–	–	–	3.5	4.5	7	9	18	–
Maximum number of lamps	20	11	7	5	4	30	17	10	9	6	16 A
	30	16	10	8	6	46	25	16	13	10	25 A
	50	26	16	13	10	80	43	27	22	16	40 A
	75	42	25	21	16	123	67	42	34	25	63 A

High pressure mercury vapour lamps

	Non corrected						With parallel correction						Contactor rating	
	P (W)	50	80	125	250	400	700	50	80	125	250	400		700
I _B (A)	0.6	0.8	1.15	2.15	3.25	5.4	0.35	0.50	0.7	1.5	2.4	4	5.7	–
C (μF)	–	–	–	–	–	–	7	8	10	18	25	40	60	–
Maximum number of lamps	15	10	8	4	2	1	10	9	9	4	3	2	–	16 A
	20	15	10	6	4	2	15	13	10	6	4	2	1	25 A
	34	27	20	10	6	4	28	25	20	11	8	5	3	40 A
	53	40	28	15	10	6	43	38	30	17	12	7	5	63 A

I_B: value of current drawn by each lamp at its rated voltage.

C: unit capacitance for each lamp.

I_B and C correspond to values normally quoted by lamp manufacturers



References:
p. B8/59

Dimensions:
p. B8/124 to B8/125

Schemes:
p. B8/126

Contactor rating for a single-phase 230 V circuit (single-pole) (continued)														
Low pressure sodium vapour lamps														
	Non corrected						With parallel correction						Contactor rating	
P (W)	18	35	55	90	135	180	18	35	55	90	135	180	–	
I_B (A)	0.35	1.4	1.4	2.1	3.1	3.1	0.35	0.6	0.6	0.9	0.9	0.9	–	
C (μF)	–	–	–	–	–	–	5	20	20	26	45	40	–	
Maximum number of lamps	18	4	5	3	2	2	14	3	3	2	1	1	16 A	
	34	9	9	6	4	4	21	5	5	4	2	2	25 A	
	57	14	14	9	6	6	40	10	10	8	4	5	40 A	
	91	24	24	19	10	10	60	15	15	11	6	7	63 A	
High pressure sodium vapour lamps														
	Non corrected						With parallel correction						Contactor rating	
P (W)	70	150	250	400	1000		70	150	250	400	1000		–	
I_B (A)	1	1.8	3	4.4	10.3		0.6	0.7	1.5	2.5	6		–	
C (μF)	–	–	–	–	–		12	20	32	45	100		–	
Maximum number of lamps	8	4	2	1	–		6	6	2	2	1		16 A	
	12	7	4	3	1		9	9	3	4	2		25 A	
	20	13	8	5	2		18	18	6	8	4		40 A	
	32	18	11	8	3		25	25	9	12	6		63 A	
Metal iodine or halogen vapour lamps														
	Non corrected						With parallel correction						Contactor rating	
P (W)	35	70	150	250	400	1000	39	70	150	250	400	1000 2000	–	
I_B (A)	0.3	0.5	1	1.5	2.5	6	0.3	0.5	1	1.5	2.5	6	5.5	–
C (μF)	–	–	–	–	–	–	6	12	20	32	45	85	60	–
Maximum number of lamps	27	16	8	5	3	1	12	6	4	3	2	–	1	16 A
	40	24	12	8	5	2	18	9	6	4	3	1	2	25 A
	68	42	20	14	8	4	31	16	10	7	5	3	3	40 A
	106	64	32	21	13	5	50	25	15	10	7	4	5	63 A
Incandescent and halogen lamps														
	Non corrected						With parallel correction						Contactor rating	
P (W)	60	75	100	150	200	300	500	1000					–	
I_B (A)	0.26	0.32	0.44	0.65	0.87	1.3	2.17	4.4					–	
Maximum number of lamps	30	25	19	12	10	7	4	2					16 A	
	45	38	28	18	14	10	6	3					25 A	
	85	70	50	35	26	18	10	6					40 A	
	125	100	73	50	37	25	15	8					63 A	
Halogen lamps used with transformer														
	Non corrected						With parallel correction						Contactor rating	
P (W)	60	80	105	150									–	
I_B (A)	0.26	0.35	0.45	0.65									–	
Maximum number of lamps	9	8	6	4									16 A	
	14	12	9	6									25 A	
	27	23	18	13									40 A	
	40	35	27	19									63 A	

I_B : value of current drawn by each lamp at its rated voltage.

C: unit capacitance for each lamp.

I_B and C correspond to values normally quoted by lamp manufacturers



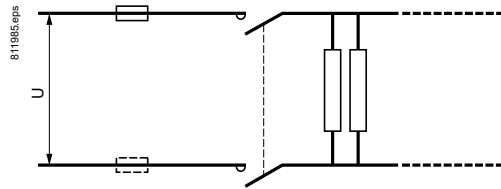
References:
p. B8/59

Dimensions:
p. B8/124 to B8/125

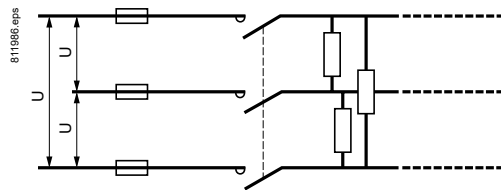
Schemes:
p. B8/126

Heating (AC-7a)

Single-phase, 2-pole switching



3-phase switching



Heating by resistive elements or by infra-red radiators, convectors or radiators, heating ducts, industrial furnaces. The current peak between the hot and cold states must not exceed 2 to 3 I_n at the moment of switch-on.

Contactor selection according to power and required electrical life

Electrical durability (in operating cycles)	Maximum power (kW)					Contactor rating
	100×10^3	150×10^3	200×10^3	500×10^3	10^6	
Single-phase switching 230 V (2-pole)	3.5	3	2.2	1	0.8	16 A
	5.4	4.6	3.5	1.6	1.2	25 A
	8.6	7.4	5.6	2.6	1.9	40 A
	13.6	11.6	8.8	4	3	63 A
	21.6	18.4	14	6.4	4.8	100 A
3-phase switching 400 V (3-pole)	10	9	6.5	3.2	2.2	16 A
	16	14	10	5	3.5	25 A
	26	22	17	7.5	6	40 A
	41	35	26.5	12	9	63 A
	64.8	55.2	42	19.2	14.4	100 A



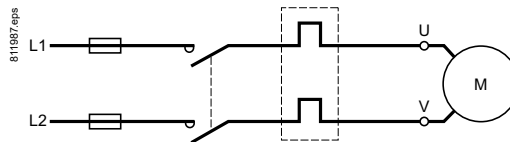
References:
p. B8/59

Dimensions:
p. B8/124 to B8/125

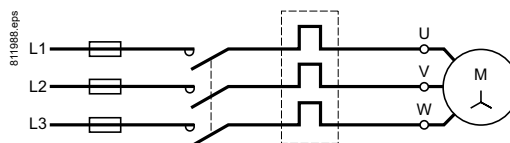
Schemes:
p. B8/126

Motor control (AC-7b)

Single-phase circuit, 230 V



3-phase circuit, 400 V



Contactor selection according to maximum power in kW

230 V single-phase capacitor motor (2-pole)	400 V 3-phase motor	Contactor rating (I _{th})
0.55	2.2	16 A
1.1	4	25 A
2.2	7.5	40 A
4	11	63 A

TeSys Control Modular Contactors

Dimensions



References:
p. B8/59

Characteristics:
p. B8/117 to B8/123

Schemes:
p. B8/126

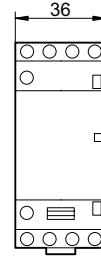
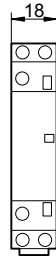
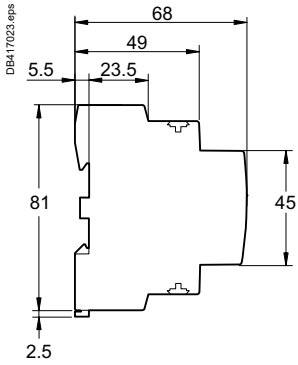
Dimensions

Contactors

Common side view

GC1610, 1611, 1620
GC2502, 2510, 2511, 2520
1 module

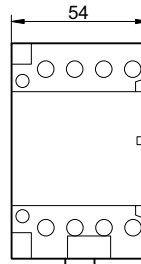
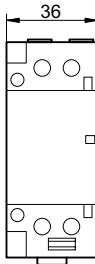
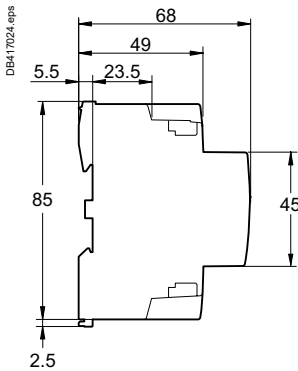
GC1622, 1640
GC2504, 2522, 2530, 2540
2 modules



Common side view

GC4002, 4011, 4020
GC6302, 6311, 6320
2 modules

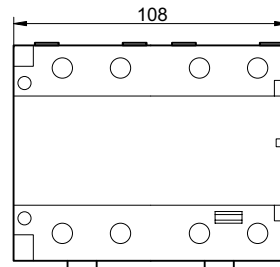
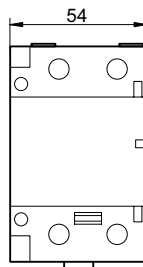
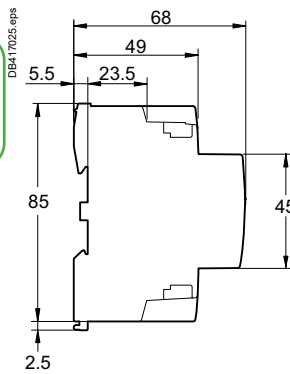
GC4004, 4022, 4030, 4040
GC6304, 6322, 6330, 6340
3 modules



Common side view

GC10020
3 modules

GC10040
6 modules



Contactors

TeSys Control

Modular Contactors

Dimensions and mounting



References:
p. B8/59

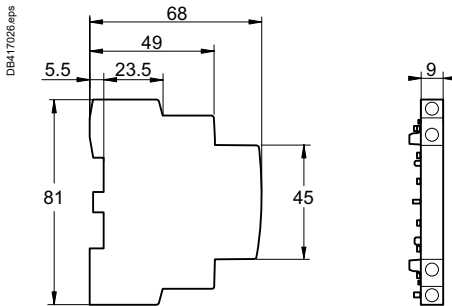
Characteristics:
p. B8/117 to B8/123

Schemes:
p. B8/126

Dimensions

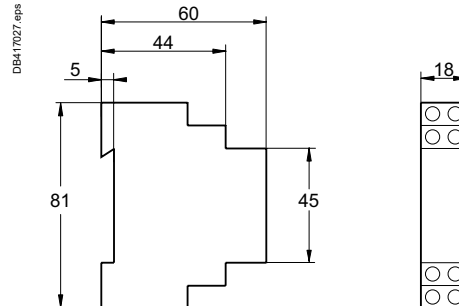
Auxiliary contacts

GAC0511, 0531 and 0521



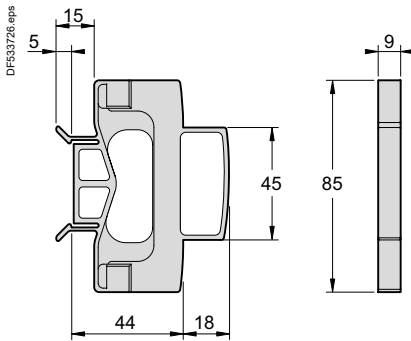
Coil suppression blocks

GAP21 and 23



Clip-on ventilation 1/2 module

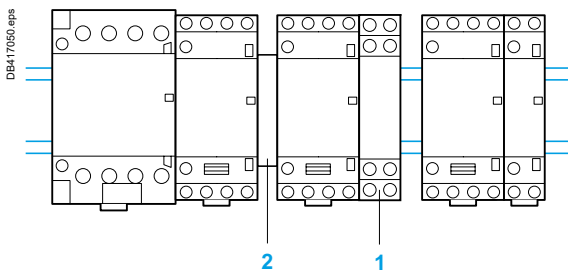
GAC5



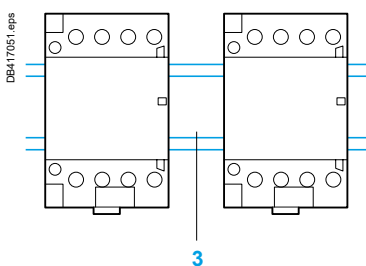
Mounting

Setting-up precautions

The contactor controls must be bounce free. If not, connect a coil suppression block **1** (GAP21 or 23) across the coil terminals y 250 V. When several contactors which operate at the same time are mounted side by side, a GAC 5 ventilation 1/2 module **2** must be fitted every 2 contactors.



It is advisable to mount electronic units at the bottom of the modular panel and to separate them from electromechanical units by a space **3** equal to one module, or by 2 ventilation 1/2 modules (GAC 5).





References:
p. B8/59

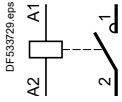
Characteristics:
p. B8/117 to B8/123

Dimensions:
p. B8/124 to B8/125

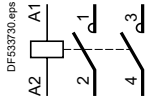
Schemes

Contactors

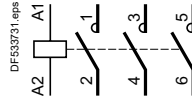
GC●●10



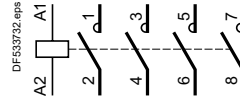
GC●●20



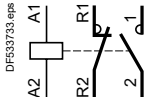
GC●●30



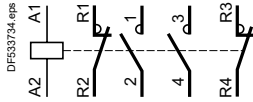
GC●●40



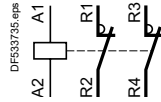
GC●●11



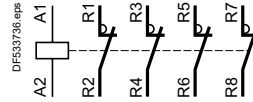
GC●●22



GC●●02

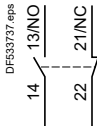


GC●●04



Auxiliary contacts

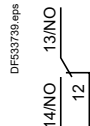
GAC0521



GAC0531



GAC0511



TeSys Control

Modular "Dual Tariff" Contactors

Characteristics



References:
p. B8/60

Dimensions:
p. B8/130 to B8/131

Schemes:
p. B8/131



GY25

Modular "dual tariff" contactors are designed for use in modular panels and enclosures.

These contactors feature:

■ **Easy installation:**

- quick clip-on fixing and locking onto 35 mm omega rail
- easy connection by means of ready-to-tighten captive, pozidrive screw terminals.

■ **Compact size**

All units have a common depth of 60 mm and width in modules of 17.5 mm (width of one module: 17.5 mm).

■ **User safety:**

- use of materials conforming to strictest fire safety standards
- live parts protected against direct finger contact
- completely safe operation
- state indication on front panel.

"Dual tariff" contactors are designed for use with Electricity Supply Authority dual tariffs.

They have a 4-position selector switch on the front panel:

"Stop" (O)	For switching off the load, e.g. for prolonged periods of absence.
"Off peak" Automatic start (A)	The contactor switches automatically during "off peak" hours as set by the Supply Authority remote control and thus supplies the load, (washing machine, dishwasher, convector heater, water heater) during this period, at an economy rate to the user.
"Peak time" Manual start (I)	In this position, the contactor supplies the load to cater for additional requirements for hot water, heating, etc., but at the standard rate. The contactor returns automatically to the "off-peak" position at the start of the "off-peak" period.
"Peak time" Manual override with lock	Facility for setting the contactor to continuous manual operation, ignoring the automation system and the Supply Authority control; setting and locking is achieved by means of a tool, with manual return to the "AUTO" position.

Standards

This range of modular contactors has been designed taking into account the requirements of international standard IEC 61095.

This standard is specific to "Electromagnetic contactors for domestic and similar use".

It has very strict requirements, meeting the expectations of users, with regard to the safety of equipment and persons in "premises and areas accessible to the public". Conformity with this standard makes it possible to obtain the following quality labels without the need for additional tests: NF-USE, VDE, CEBEC, etc.

"Dual tariff" modular contactors are designed for switching all single-phase, 3-phase or 4-phase loads up to 63 A.

Modular contactors have multiple applications in industrial, agricultural and commercial premises, hospitals and the home, i.e. wherever switching of a specific supply is required:

- lighting,
- heating, ventilation,
- motorised shutters or gates.

TeSys Control

Modular “Dual Tariff” Contactors

Characteristics



References:
p. B8/60

Dimensions:
p. B8/130 to B8/131

Schemes:
p. B8/131

Environment			GY16	GY25	GY40	GY63	
Type							
Rated insulation voltage (Ui)	Conforming to IEC 61095	V	500				
	Conforming to VDE 0110	V	500				
Rated impulse withstand voltage (Uimp)		kV	4 in enclosure				
Conforming to standards			IEC 61095 and IEC 60947-5-1 for auxiliary contacts				
Product certifications			NF-USE, VDE, CEBEC, ÖVE				
Degree of protection	Conforming to IEC 60529		Protection against direct finger contact IP 20 open, IP 40 in enclosure				
Ambient air temperature around the device	Storage	°C	-40...+70				
	Operation	°C	-5...+50 (0.85...1.1 Uc)				
Maximum operating altitude	Without derating	m	3000				
Operating positions	Without derating		±30° in relation to normal vertical mounting plane				
Shock resistance 1/2 sine wave = 11 ms Conforming to IEC/EN 60068-2-27	Contactors open		10 gn				
	Contactors closed		15 gn				
Vibration resistance 5...300 Hz Conforming to IEC/EN 60068-2-6	Contactors open		2 gn				
	Contactors closed		3 gn				
Flame resistance			Conforming to IEC 61095				
Pole characteristics							
Number of poles			2, 3 or 4				
Rated operational current (Ie) (Ue ≤ 440 V)	In AC-7a (heating)	A	16	25	40	63	
	In AC-7b (motor control)	A	5	8.5	15	25	
Contactors rating	40 °C		16	25	40	63	
	50 °C		14	22	36	57	
	60 °C ⁽¹⁾		13	20	32	50	
Rated operational voltage (Ue)	Up to	V	250 - 2-pole contactors, 415 - 3 and 4-pole contactors				
Frequency limits	Of the operating current	Hz	400				
Conventional thermal current (Ith)	θ ≤ 50 °C	A	16	25	40	63	
Rated breaking and making capacity	Conforming to IEC 61095 (AC-7b) I rms 400 V 3-phase	A	40	68	120	200	
Short time rating with no current flow for the previous 15 minutes with θ ≤ 40 °C	For 10 s	A	128	200	320	504	
	For 30 s	A	40	62	100	157	
Short-circuit protection by fuse or circuit breaker U ≤ 440 V	gl fuse	A	16	25	40	63	
	Circuit breaker I ² t (at 3 kA rms prospective)	230V	A ² s	5000	10000	16000	18000
		400V	A ² s	9000	14000	17500	20000
Electrical durability in operating cycles	AC-7a, AC-7b		100000	100000	100000	100000	
Average impedance per pole	At Ith and 50 Hz	mΩ	2.5	2.5	2	2	
Power dissipated per pole	For the above operational currents	W	0.65	1.6	3.2	8	
Maximum cabling c.s.a.	Flexible cable without cable end	1 conductor	mm ²	6	6	25	25
		2 conductors	mm ²	4	4	16	16
	Flexible cable with cable end	1 conductor	mm ²	6	6	16	16
		2 conductors	mm ²	1.5	1.5	4	4
	Solid cable without cable end	1 conductor	mm ²	6	6	25	25
		2 conductors	mm ²	4	4	6	6
Tightening torque	Power circuit connections	N.m	0.8	0.8	3.5	3.5	

⁽¹⁾ Ventilation 1/2 module must be fitted.

TeSys Control

Modular “Dual Tariff” Contactors

Characteristics



References:
p. B8/60

Dimensions:
p. B8/130 to B8/131

Schemes:
p. B8/131

Control circuit characteristics						
Type			GY16, GY25 single or 2-pole <table border="1"> <tr> <td>GY16, GY25 3 or 4-pole</td> <td rowspan="2">GY40, GY63 3 or 4-pole</td> </tr> <tr> <td>GY40, GY63 2-pole</td> </tr> </table>	GY16, GY25 3 or 4-pole	GY40, GY63 3 or 4-pole	GY40, GY63 2-pole
GY16, GY25 3 or 4-pole	GY40, GY63 3 or 4-pole					
GY40, GY63 2-pole						
Rated control circuit voltage (Uc)	50 or 60 Hz	V	12...240 V, for other voltages, please consult your Regional Sales Office			
Control voltage limits ($\theta \leq 50\text{ }^\circ\text{C}$) 50 Hz coils	Operational		0.85...1.1 Uc			
	Drop-out		0.2...0.75 Uc			
Average consumption at 20 °C and at Uc ~ 50 Hz	Inrush	VA	15			
	Sealed	VA	3.8			
Heat dissipation	50/60 Hz		34			
			4.6			
Operating time	Closing "C"	ms	10 ... 30			
	Opening "O"	ms	10 ... 25			
Mechanical durability	In operating cycles		10 ⁶			
Maximum operating rate at ambient temperature $\leq 50\text{ }^\circ\text{C}$	In operating cycles per hour		300			
Maximum cabling c.s.a.	Flexible cable without cable end	1 or 2 conductors	mm²			
			2.5			
	Flexible cable with cable end	1 conductor	mm²	2.5		
			2 conductors	mm²	1.5	
Solid cable without cable end	1 or 2 conductors	mm²	1.5			
Tightening torque		N.m	0.8			
Instantaneous auxiliary contact characteristics						
Rated operational voltage (Ue)	Up to	V	250			
Rated insulation voltage (Ui)	Conforming to IEC 60947-5	V	500			
	Conforming to VDE 0110	V	500			
Conventional thermal current (Ith)	For ambient $\theta \leq 50\text{ }^\circ\text{C}$	A	5			
Mechanical durability	In operating cycles		10 ⁶			
Maximum cabling c.s.a.	Flexible or solid conductor	mm²	2.5			
Tightening torque		N.m	0.8			

TeSys Control

Modular "Dual Tariff" Contactors

Dimensions



References:
p. B8/60

Characteristics:
p. B8/127 to B8/129

Dimensions

"Dual tariff" contactors

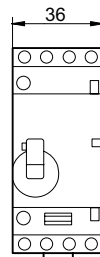
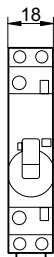
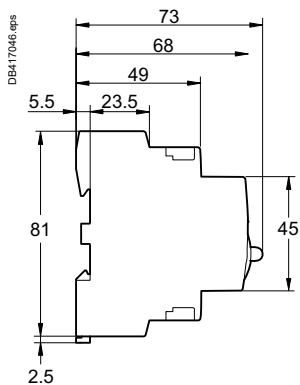
Common side view

**GY1620
GY2520**

1 module

GY2530, 2540

2 modules



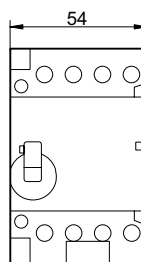
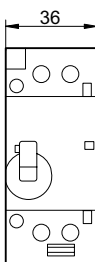
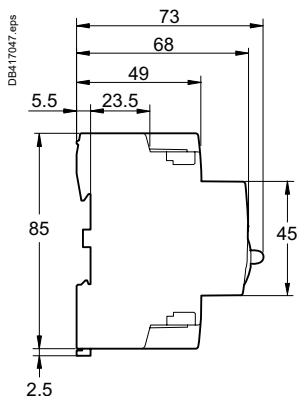
Common side view

**GY4020
GY6320**

2 modules

**GY4030, 4040
GY6330, 6340**

3 modules

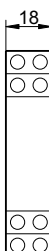
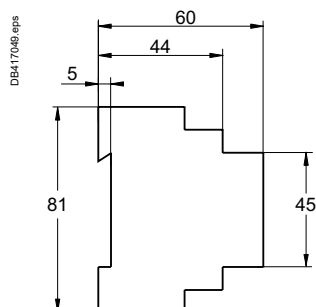
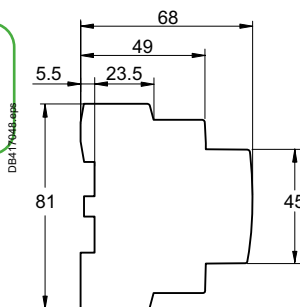


Auxiliary contacts

GAC0511, 0531 and 0521

Coil suppression block

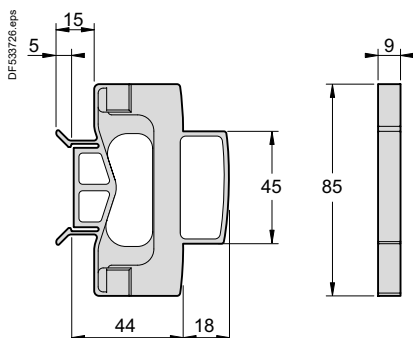
GAP21 and 23



Contactors

Clip-on ventilation 1/2 module

GAC5



TeSys Control

Modular “Dual Tariff” Contactors

Mounting and schemes



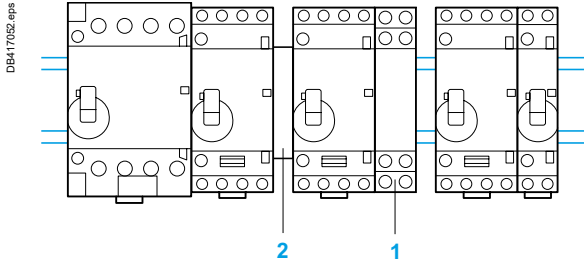
References:
p. B8/60

Characteristics:
p. B8/127 to B8/129

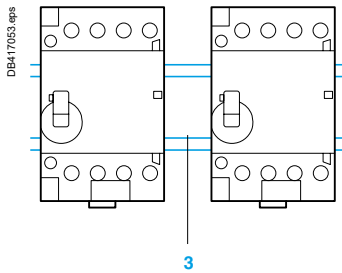
Mounting

Setting-up precautions

The contactor controls must be bounce free. If not, connect a coil suppression block **1** (GAP 21 or 23) across the coil terminals ≤ 250 V. When several contactors which operate at the same time are mounted side by side, a GAC5 ventilation 1/2 module **2** must be fitted every 2 contactors.



It is advisable to mount electronic units at the bottom of the modular panel and to separate them from electromechanical units by a space equal to one module **3** or by 2 ventilation 1/2 modules GAC5.



Schemes

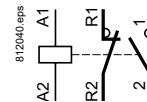
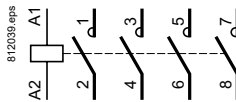
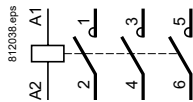
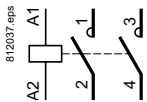
Contactors

GY●●20

GY●●30

GY●●40

GY●●11

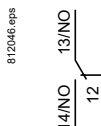
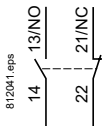


Auxiliary contacts

GAC0521

GAC0531

GAC0511



TeSys Control Modular Impulse Relay

Characteristics



References:
p. B8/61

Dimensions:
p. B8/136

Schemes:
p. B8/136



GF1611M7

Modular impulse relays are designed for use in modular enclosures.

They feature:

■ **Easy installation:**

- quick clip-on fixing and locking onto 35 mm omega rail
- easy connection by means of ready-to-tighten captive, pozidrive screw terminals.

■ **Compact size**

Units have a common depth of 60 mm and width of 18 mm.

■ **User safety:**

- live parts protected against direct finger contact
- completely safe operation
- state indication on front panel.

Standards

This range of modular impulse relays has been designed taking into account the requirements of international standard IEC 60669-2.

This standard is specific to "Impulse relays".

Conformity with this standard makes it possible to obtain the following quality labels without the need for additional tests: NF-USE, VDE, CEBEC, etc.

Functions

Modular impulse relays are designed for opening and closing of circuits which are remotely controlled by impulses. The position is mechanically maintained.

These impulse relays are used in lighting circuits when there are more than two switching points.

Power switching

Modular impulse relays have multiple applications in industrial, agricultural and commercial premises, hospitals and the home, i.e. wherever switching of a specific lighting supply is required.

TeSys Control

Modular Impulse Relay

Characteristics



References:
p. B8/61

Dimensions:
p. B8/136

Schemes:
p. B8/136

Environment			
Rated insulation voltage (Ui)	Conforming to IEC 60947-1-5	V	400
	Conforming to VDE 0110	V	400
Rated impulse withstand voltage (Uimp)		kV	4 in enclosure
Conforming to standards			IEC 60669-1 and 60669-2
Product certifications			NF-USE, CEBC, ASE, KEMA, N, S, D, FI, VDE
Degree of protection	Conforming to IEC 60529		Protection against direct finger contact IP 20 open, IP 40 in enclosure
Ambient air temperature around the device	Storage	°C	-40...+80
	Operation	°C	-20...+50
Maximum operating altitude	Without derating	m	2000
Operating positions	Without derating		±90° in relation to normal vertical mounting plane
Shock resistance 1/2 sine wave = 10 ms Conforming to IEC/EN 60068-2-27	Impulse relay open		Please consult your Regional Sales Office
	Impulse relay closed		Please consult your Regional Sales Office
Vibration resistance 5...300 Hz Conforming to IEC/EN 60068-2-6	Impulse relay open		4 gn
	Impulse relay closed		4 gn

Pole characteristics							
Number of poles			1 or 2				
Rated operational current (Ie) (Ue ≤ 250 V)	In AC-7a (heating)	A	16				
Rated operational voltage		V	250				
Conventional thermal current (Ith)	θ ≤ 50 °C	A	16				
Permissible short time rating no current flowing for preceding 15 minutes with θ ≤ 40 °C	For 1 s	A	320				
	For 10 s	A	96				
	For 30 s	A	48				
Short-circuit protection by fuse or circuit breaker	gl fuse	A	16				
	Circuit breaker I ² t (at 3 kA rms prospective)	A ² s	5000				
Average impedance per pole	At Ith and 50 Hz	mΩ	4				
Power dissipated per pole		W	1				
Maximum cabling c.s.a.	Flexible cable without cable end	1 conductor	mm ²	Min.	0.5	Max.	6
		2 conductors	mm ²	0.5	4		
	Flexible cable with cable end	1 conductor	mm ²	0.5	6		
		2 conductors	mm ²	0.5	4		
	Solid cable without cable end	1 conductor	mm ²	0.5	6		
		2 conductors	mm ²	0.5	4		
Tightening torque	Power circuit connections	N.m	0.8				

TeSys Control

Modular Impulse Relay

Characteristics



References:
p. B8/61

Dimensions:
p. B8/136

Schemes:
p. B8/136

Control circuit characteristics

Rated control circuit voltage (Uc)		V	12...240 V, for other voltages, please consult your Regional Sales Office		
Control voltage limits ($\theta < 50\text{ }^{\circ}\text{C}$)	Operating threshold, dual frequency 50/60 Hz	V	0.85...1.1 Uc		
Average consumption at 20 °C and at Uc	Inrush at 50 Hz	VA	19		
Operating time	Closing "C"	ms	70		
	Opening "O"	ms	70		
Minimum impulse time		ms	70		
Mechanical durability			10 ⁶ operating cycles		
Electrical durability		AC-21	200000 operating cycles		
		AC-22	100000 operating cycles		
Maximum operating rate	Operating cycles per hour		900		
Maximum cabling c.s.a.		Flexible cable without cable end	1 or 2 conductors	mm²	2.5
		Flexible cable with cable end	1 conductor	mm²	2.5
			2 conductors	mm²	1.5
		Solid cable without cable end	1 or 2 conductors	mm²	1.5
Tightening torque		N.m	0.8		



References:
p. B8/61

Dimensions:
p. B8/136

Schemes:
p. B8/136

Lighting circuits

Fluorescent lamps with starter

Single fitting	Non corrected			With parallel correction		
	18	36	58	18	36	58
Power in W	18	36	58	18	36	58
Number of lamps	70	35	21	50	25	16

Twin fitting	With series correction		
	2 x 18	2 x 36	2 x 58
Power in W	2 x 18	2 x 36	2 x 58
Number of lamps	56	28	17

Incandescent lamps: filament lamps

Power in W	40	60	75	100	200
Number of lamps	40	25	20	16	8

Incandescent lamps: halogen lamps

Power in W	300	500	1000	1500
Number of lamps	5	3	1	1

Incandescent lamps: very low voltage halogen lamps

Power in W	20	50	75	100
Number of lamps	70	28	19	4

Low pressure sodium vapour lamps

	Non corrected			
	Power in W	55	90	135
Number of lamps	24	15	10	7

High pressure sodium vapour lamps

	Non corrected		
	Power in W	250	400
Number of lamps	5	3	1

Heating circuits

Single-phase 230 V, 2-pole

Power in kW	3.6
-------------	-----

TeSys Control

Modular Impulse Relay

Dimensions and schemes

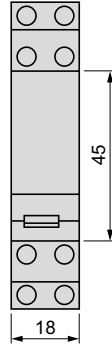
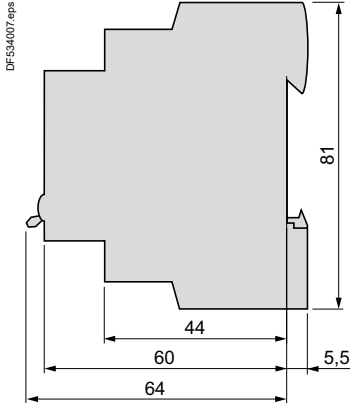


References:
p. B8/60

Characteristics:
p. B8/132 to B8/135

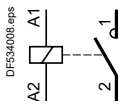
Dimensions

GF1610, GF1611, GF1620

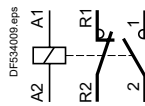


Schemes

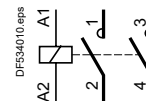
GF1610



GF1611



GF1620



Test conditions according to IEC utilization categories

Contactor characteristics are established following tests and utilization categories whose are conforming IEC 60947-4-1 and 5-1 standards.

Contactors													
		Electrical durability: making and breaking conditions						Occasional duty: making and breaking conditions					
AC supply													
Typical applications	Utilisation category	Making			Breaking			Making			Breaking		
		I	U	cos φ	I	U	cos φ	I	U	cos φ	I	U	cos φ
Resistors, non inductive or slightly inductive loads	AC-1	le	Ue	0.95	le	Ue	0.95	1.5 le	1.05 Ue	0.8	1.5 le	1.05 Ue	0.8
Motors													
Slip ring motors: starting, breaking.	AC-2	2.5 le	Ue	0.65	2.5 le	Ue	0.65	4 le	1.05 Ue	0.65	4 le	1.05 Ue	0.65
Squirrel cage motors: starting, breaking whilst motor running.	AC-3												
	le ≤ ⁽¹⁾	6 le	Ue	0.65	1 le	0.17 Ue	0.65	10 le	1.05 Ue	0.45	8 le	1.05 Ue	0.45
	le > ⁽²⁾	6 le	Ue	0.35	1 le	0.17 Ue	0.35	10 le	1.05 Ue	0.35	8 le	1.05 Ue	0.35
Squirrel cage motors: starting, breaking whilst motor running.	AC-3e												
	le ≤ ⁽¹⁾	6 le	Ue	0.65	1 le	0.17Ue	0.65	13 le	1.05 Ue	0.45 ⁽⁴⁾	8.5 le	1.05 Ue	0.45 ⁽⁴⁾
	le > ⁽²⁾	6 le	Ue	0.35	1 le	0.17Ue	0.35	13 le	1.05 Ue	0.35 ⁽⁵⁾	8.5 le	1.05 Ue	0.35 ⁽⁵⁾
Squirrel cage motors: starting, reversing, inching	AC-4												
	le ≤ ⁽¹⁾	6 le	Ue	0.65	6 le	Ue	0.65	12 le	1.05 Ue	0.45	10 le	1.05 Ue	0.45
	le > ⁽²⁾	6 le	Ue	0.35	6 le	Ue	0.35	12 le	1.05 Ue	0.35	10 le	1.05 Ue	0.35
DC supply													
Typical applications	Utilisation category	Making			Breaking			Making			Breaking		
		I	U	L/R (ms)	I	U	L/R (ms)	I	U	L/R (ms)	I	U	L/R (ms)
Resistors, non inductive or slightly inductive loads	DC-1	le	Ue	1	le	Ue	1	1.5 le	1.05 Ue	1	1.5 le	1.05 Ue	1
Shunt wound motors: starting, reversing, inching	DC-3	2.5 le	Ue	2	2.5 le	Ue	2	4 le	1.05 Ue	2.5	4 le	1.05 Ue	2.5
Series wound motors: starting, reversing, inching	DC-5	2.5 le	Ue	7.5	2.5 le	Ue	7.5	4 le	1.05 Ue	15	4 le	1.05 Ue	15
Control relays and auxiliary contacts													
		Electrical durability: making and breaking conditions						Occasional duty: making and breaking conditions					
AC supply													
Typical applications	Utilisation category	Making			Breaking			Making			Breaking		
		I	U	cos φ	I	U	cos φ	I	U	cos φ	I	U	cos φ
Electromagnets													
≤ 72 VA	AC-14	-	-	-	-	-	-	6 le	1.1 Ue	0.7	6 le	1.1 Ue	0.7
> 72 VA	AC-15	10 le	Ue	0.7	le	Ue	0.4	10 le	1.1 Ue	0.3	10 le	1.1 Ue	0.3
DC supply													
Typical applications	Utilisation category	Making			Breaking			Making			Breaking		
		I	U	L/R (ms)	I	U	L/R (ms)	I	U	L/R (ms)	I	U	L/R (ms)
Electromagnets	DC-13	le	Ue	6 P ⁽³⁾	le	Ue	6 P ⁽³⁾	1.1 le	1.1 Ue	6 P ⁽³⁾	1.1 le	1.1 Ue	6 P ⁽³⁾

(1) $le \leq 17 A$ for electrical durability, $le \leq 100 A$ for occasional duty.

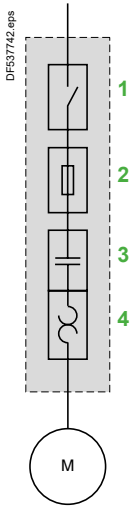
(2) $le > 17 A$ for electrical durability, $le > 100 A$ for occasional duty.

(3) The value 6 P (in watts) is based on practical observations and is considered to represent the majority of DC magnetic loads up to the maximum limit of $P = 50 W$ i.e. $6 P = 300 ms = L/R$.

Above this, the loads are made up of smaller loads in parallel. The value 300 ms is therefore a maximum limit whatever the value of current drawn.

(4) $le \leq 100A$

(5) $le > 100A$



- 1 Motor Disconnect (Disconnect switch)
- 2 Motor Branch Circuit Protection (Short-circuit protection)
- 3 Motor Controller (Contactor)
- 4 Motor Overload Protection (Thermal overload relay)

Starters for the North American market

In recent years, the North American market has started to harmonise UL, CSA and ANCE standards, as well as the industrial installation codes provided by national regulations (NEC for the United States, CEC for Canada and MEC for Mexico). ⁽¹⁾ Major improvements, carried out by the Canena ⁽²⁾ are aimed at harmonising product requirements based on IEC ⁽³⁾ standards. However, the North American codes use specific terminology for defining the functions of a starter. These functions can be fulfilled by standard IEC products, accompanied by appropriate certifications.

Combination Starters

Combination Starters are the most common type of packaged motor starter. They are called "Combination" because of their structure and their combined functions. The figure opposite shows the four combined functions that constitute a complete motor starter circuit, defined as a "Motor branch circuit" by the NEC (US National Electric Code) in article 430. Standard UL508 currently gives different types of combination starter that meet the requirements of a "Motor branch circuit".

Type E, called "**self-protected combination starter**", covers all these functions and can be controlled manually (thermal-magnetic circuit breaker) or remotely (starter-controller). Type E starters withstand faults within their declared nominal rating without sustaining damage, after which they can be put back into service. In addition, they can withstand more severe short-circuit and durability performance tests without welding or excessive wear of the contact tips.

Type F, called "**Combination motor starter**", consists of a type E manual starter (thermal-magnetic circuit breaker) combined with a contactor. These starters are evaluated by means of basic short-circuit tests, but are not considered as "self-protected".

For this combination, the type E starter must be marked "Combination Motor Controller when used with ...", followed by the reference of the load side contactor.

⁽¹⁾ **UL**: Underwriters Laboratories, **CSA**: Canadian Standards Association, **ACNE**: Association of Standardization and Certification, **NEC**: National Electric Code, **CEC**: Canadian Electrical Code, **MEC**: Mexican Electrical Code.
⁽²⁾ **Canena**: Council for Harmonization of Electrotechnical Standardization of North America.
⁽³⁾ **IEC**: International Electrotechnical Commission.

Control panels

To help users properly coordinate their motor control equipment with their distribution system in the event of a fault, article 409 of the 2005 NEC requires panel builders to list the short-circuit withstand rating of their motor control panels. According to standard UL508A, manufacturers must use the short-circuit withstand value of the lowest rated device as the nominal withstand rating of the panel, unless the devices have been tested together for a higher coordinated rating. The minimum “**short-circuit current rating**” (SCCR), on motor control components for horsepower ratings of 50 hp or below is 5000 A.

Using a **type E** or **type F** combination starter eliminates the coordination problems of using individual components for the “motor branch circuit protection”, “motor controller” and “motor overload protection” functions. The panel builder uses the declared short-circuit current rating for the combination starter. This value is generally higher than 5000 A. This makes it easier to list the short-circuit current ratings and to check the compatibility of a UL508A motor control panel within a given distribution system.

Group protection

Article 430.53 of the NEC allows a single short-circuit protection device to be used for more than one motor circuit if the components used are marked and listed for such use.

Components suitable for use in group protection, known as “**motor group installations**”, can be marked in one of the following two ways:

Case n° 1

The contactor and the motor overload relay are both listed as suitable for group installation.

An inverse time circuit breaker can be used as the short-circuit protection device if it is also listed as suitable for group installation.

The panel builder must therefore make sure that the short-circuit protection device selected (fuses or inverse time circuit breaker) does not exceed the value allowed by article 430.40 for the smallest overload relay used in the circuit.

Once these conditions have been met, the panel builder can reduce the size of the conductor connecting the short-circuit protection device to the individual motor contactor/overload relay, to one third of the size of the upstream circuit conductor supplying the protection device.

The panel builder must limit the length of the motor starter conductor (connecting the short-circuit protection device to the motor contactor/overload relay) to a maximum of 7.6 m (25 feet).

Case n° 2

The motor contactor and overload relay are listed as suitable for “**tap conductor protection**” in group installations.

This category allows the panel designer to reduce the size of the conductor connecting the short-circuit protection device to the individual motor contactor/overload relay, to one tenth of the size of the upstream circuit conductor supplying the protection device.

The designer must limit the length of this conductor to a maximum of 3.05 m (10 feet).

In both cases, the supply circuits must not be less than 125 % of the connected motor FLA (Full Load Amps) rating.

For panel builders, using **type F** combination starters in group installations simplifies group motor considerations.

Each starter is a fully coordinated motor branch circuit.

The panel builder follows the same NEC requirements for sizing the supply conductors as those required for single motor branch circuits.

The size of the supply conductors can be reduced in accordance with the specifications of article 430.28.

This allows the same flexibility in conductor sizing as that offered in article 430.53 (D), without a requirement to check the short-circuit protection rating marked on the components and the overload relay limit.


A UL508A panel does not need a short-circuit protection device when each motor starter installed is a **type F**.

The upstream short-circuit protection device supplying the starter protects the panel. The panel builder only has to consider the panel/enclosure disconnect requirements specified by the NEC or local codes.

Introduction

B9/4

TeSys Giga High Power Contactors

Type of product	Range		Pages
TeSys Giga High Power Contactors Advanced version	3-pole and 4-pole from 115 to 800 A – AC-3/AC-3e 3-pole and 4-pole from 250 to 1050 A – AC-1		B9/10
TeSys Giga High Power Contactors Standard version	3-pole and 4-pole from 115 to 800 A – AC-3/AC-3e 3-pole and 4-pole from 250 to 1050 A – AC-1		B9/12
TeSys Giga High Power Contactors DC Version	2 poles in series: up to 1000 V DC, 200 A - DC-1 3 poles in series: up to 1500 V DC, 250 A - DC-1		B9/14
Auxiliary modules, Accessories, Retrofit kits for TeSys Giga High Power Contactors			B9/15
Advanced Diagnostic Accessories			B9/21
Spare parts for TeSys Giga High Power Contactors			B9/22

Technical Data for Designers

B9/25

On-line tools to configure your motor starters

EcoStruxure™ Motor Control Configurator



Scan or click
on the QR code

Build your starter configuration

- Build your motor starter configuration with different solutions
- Complete offer base suited for different countries.

Enhanced customer's journey

- Easy selection, replacing complex paper catalogs
- Covert into Bill of Materials (BoM) by adding the products to the cart.

Answers to customer needs

- Option to save and re-work your configurations
- Direct access to products documentation in one place
- Possibility with unique configurations ID and share.

Product Selector for TeSys Giga



Scan or click
on the QR code

Offer selection

- Easy selection of **TeSys** Giga Contactor or Overload Relays
- Intuitive tool to configure the devices to suit your needs
- Helps to select the right devices for your application.

Configure your motor starter components

- Options to select auxiliaries and accessories
- Configure reversers and changeover contactors with ease
- Get the extensive bill of material, export it in standard format (PDF, XLS), or drop it into the product cart
- Access to technical information and documentations for every item.

EcoStruxure Motor Management Design



Scan or click
on the QR code

Electrical design calculations for high-power motors

Easily perform basic calculations related to transformer size, short-circuit current and voltage drop, comparing direct-on-line, star-delta, soft-starter, and variable speed drive. Verify starting feasibility from mechanical standpoint and ensure power quality objectives are met, for power factor or harmonic levels. Check energy saving potential of using a variable speed drive for centrifugal pumps and fans.

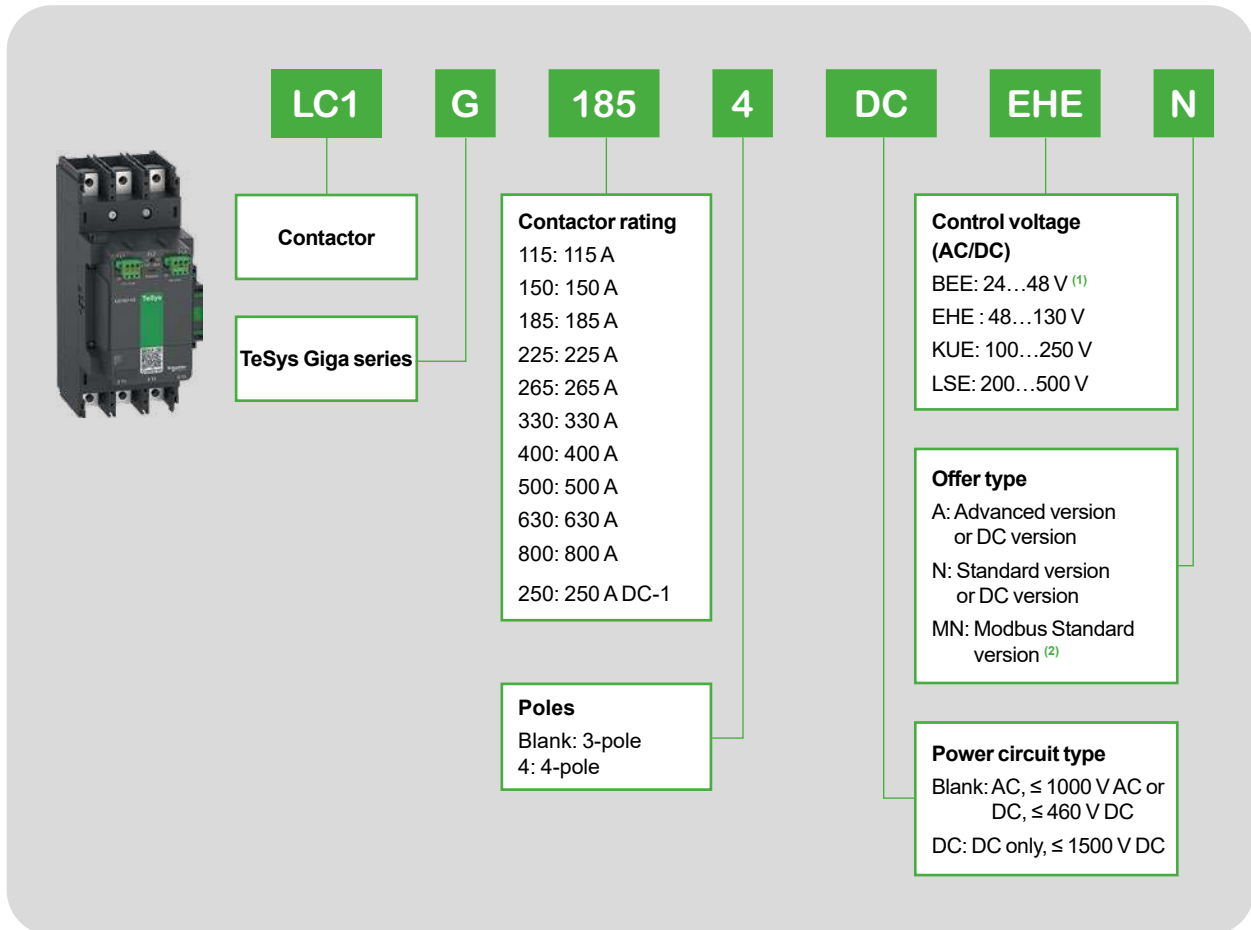
Offer selection and report

Select among latest compatible offers to build a complete motor management solution: circuit breakers, contactors, MCC panels, drives, protection relays, power factor capacitors, active filters, power quality monitoring and services.

Get a summary report with calculations and recommended offers.

Product references – coding principle

> TeSys Giga High Power Contactors



Example:

LC1G400LSEA TeSys Giga Contactor Advanced version 400 A, 3-pole, 200...500 V AC/DC coil, with PLC control.

LC1G1854EHEN TeSys Giga Contactor Standard version 185 A, 4-pole, 48...130 V AC/DC coil, without PLC control.

⁽¹⁾ 24...48 V AC/DC control voltage option is available for LC1G115...LC1G500 ratings.

⁽²⁾ Modbus Standard version supports Remote Diagnostic Modbus (RDM) Module. MN type contactors are available in 3-pole, LSE coils.

> Quality and Performance as high priority

TeSys Giga A new Generation series with digital innovation

Over more than 4 decades, the TeSys F range of contactors has built a high reputation for performance, reliability, and quality. The TeSys F range set the industrial standard for high power contactors with an installed base of millions of products. TeSys F contactors were the first choice of many OEMs, control panel builders and industrial users.

But industry requirements have evolved to demand process performance monitoring through data networks and online expert services.

TeSys Giga is Schneider Electric's new range of contactors that answer these evolving needs. TeSys Giga High power contactors support the evolution of processes and offer new services to reduce non-production time to a minimum. Replacing TeSys F Contactors, TeSys Giga High power contactors address a wide range of demanding applications with built-in advanced features and functionalities.



Futuristic ready...

TeSys Giga High power contactors are designed to work with components and accessories with advanced performance. The characteristics of robustness and longevity are maintained, both in the connectors and in the switching.

Continuous contactor health monitoring, locally and remotely, optimizes predictive maintenance by allowing you to replace switching modules ⁽¹⁾ only when necessary. This monitoring is facilitated by:

- A local embedded diagnostic visual indicator
- An optional add-on RWD ⁽²⁾ module for communicating the contact wear status via 1 NO or 1 NC contact
- An optional add-on RDM ⁽²⁾ module for communicating the health status via Modbus and via a Digital Output.

Every customer will benefit from the innovative design and feature, including the compact size, wideband electronic coils, embedded auxiliary contact blocks, ergonomic design, or flexibility in connections.

⁽¹⁾ Please refer to page B9/23 for details on Replaceable switching modules.

⁽²⁾ Please refer to page B9/21 for details on RWD and on RDM add-on modules.

> Applications



AC-3/AC-3e utilization category



AC-1 utilization category

- TeSys Giga High power contactors provide robust control solutions for AC-3/AC-3e applications up to 800 A and AC-1 applications up to 1050 A.
- TeSys Giga High power contactors can be part of a direct-on-line motor starter, reversing motor starter or a star-delta motor starter and power switching application.
- TeSys Giga High power contactors provide contact wear diagnostic and wideband AC/DC control.
- Suitable for type 2 coordination as per IEC60947-4-1.

> Right choice for a wide range of demanding applications



High power
contactors

TeSys Giga High power contactors' unique design meets the common requirements of demanding high power applications:

- Conform to multi standards to suit global needs
- Long life expectancy in harsh environments
- Suitable for high efficiency motors
- Very good resistance to vibrations
- High uptime thanks to predictive maintenance
- Optimized installation and maintainability.

> Intelligent design for greater advantages



- Interlock location, with knock-out cover
- On/Off switch for PLC input
- Push-in type control terminals enabling quick wiring and assembly
- Diagnosis LED for contact wear & voltage abnormality
- Built-in 1 NO + 1 NC auxiliary contact block
- Unique QR code providing quick access to complete product data
- Mechanical indicator for contactor open and closed status



Higher flexibility

TeSys Giga High power contactors can be mounted in different orientation without derating, providing high flexibility of your panel design.

Control wiring, auxiliary contacts and control module are accessible from the front.

High power contactors



Contact wear diagnostic and predictive maintenance

Contact wear is monitored by a dedicated module and shown in the front panel through LED, therefore the, predictive maintenance can be planned for replacing the complete set of switching modules, thus avoiding break-down maintenance. Switching modules ⁽¹⁾ can be replaced quickly and easily thanks to their Plug and Play design.

⁽¹⁾ Refer to page B9/23 for details on switching modules.

> Key features

Advanced contactor control

- The electronic control module provides wideband AC/DC coil control voltage, from 24 V to 500 V, allowing quick adaptation of existing industrial processes as well as new projects.
- The low power consumption of the coils could lead to significant savings on automation equipment. It's now possible to use interface relays with a lower rating, resulting in lower heat emission in the panel.
- The low power consumption of the coils also takes up less space in the panel and simplifies the diagrams by connecting these coils directly to the output cards of the PLCs.

Simplified wiring

- The pole pitch of the power terminals allows direct mounting and connection to TeSys Giga Electronic Overload Relays. Standardization of panel mounting and assembly reduces costs and assembly time.
- Push-in connection for control terminals provides flexibility, ease of connections, and reduced assembly and installation time.

Enhanced durability

- Durability is a top priority. TeSys Giga High power contactors are designed to offer uncompromising robustness and maintenance accessibility to site technicians. The duration of production down-time is reduced, resulting in improved profitability on your investment.

Advanced diagnostic features

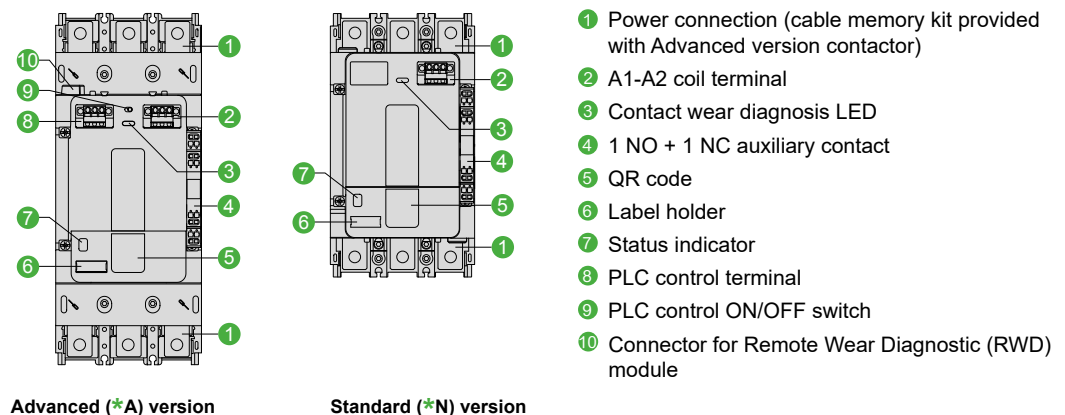
- On-board diagnostics is a new feature in our latest generation of high power contactors. Monitoring continuously the health status of the contactor and signaling locally or remotely through communication provides numerous benefits to the customer and helps improving reliability and managing scheduled maintenance: a step ahead for a better productivity.

Compact size

- Compact size provides easy access to power connections for connecting cables and busbars.

Easy maintenance

- The poles are designed as replaceable switching modules, so the performance of a used contactor can be fully restored. The modular design allows a quick and long-lasting replacement.
- Coils are accessible from the front and maintained with very low down times.



*: contactor references finishing by A or by N.

High power contactors

> TeSys Giga High Power Contactors

A comprehensive range of TeSys Giga High power contactors that are available in 'Advanced' and 'Standard' versions, in 3 sizes, covering several ratings and in 'DC' version, 1 size, 250 A.
A common range of auxiliary contacts and accessories, enabling high flexibility and simplicity.

Power & control

- 3 or 4 power poles
- 115 to 800 A (AC-3)
- 250 to 1050 A (AC-1)
- Embedded 1 NO + 1 NC auxiliary contacts
- Push-in type terminals for coils & control

Diagnostic

- Embedded wear diagnostic
- Embedded control voltages diagnostic
- Self diagnosis function
- Local alarm signaling (LED)

Standards and Certifications

- Multiple standards
- International certifications

> Advanced version



115...225 A



265...500 A



630...800 A

Remote control

- 24...48 V, 48...130 V, 200...500 V AC/DC coils
- Low consumption coils
- Wide voltage range coils (direct coil control)
- Digital control input (PLC output digital coil control)
- Embedded surge suppressor

Diagnostic

- Remote wear diagnostic signaling kit (accessory)

Mounting

- 'Cable memory' adapter enables maintenance without removing power cables and busbar connections.

> Standard version



115...225 A



265...500 A



630...800 A

Remote control

- 48...130 V, 100...250 V, 200...500 V AC/DC coils
- Wide voltage range coils (direct coil control)
- Embedded surge-suppressor

Diagnostic

- Remote wear diagnostic kit (accessory available on LSEMN contactors version only)

> DC version



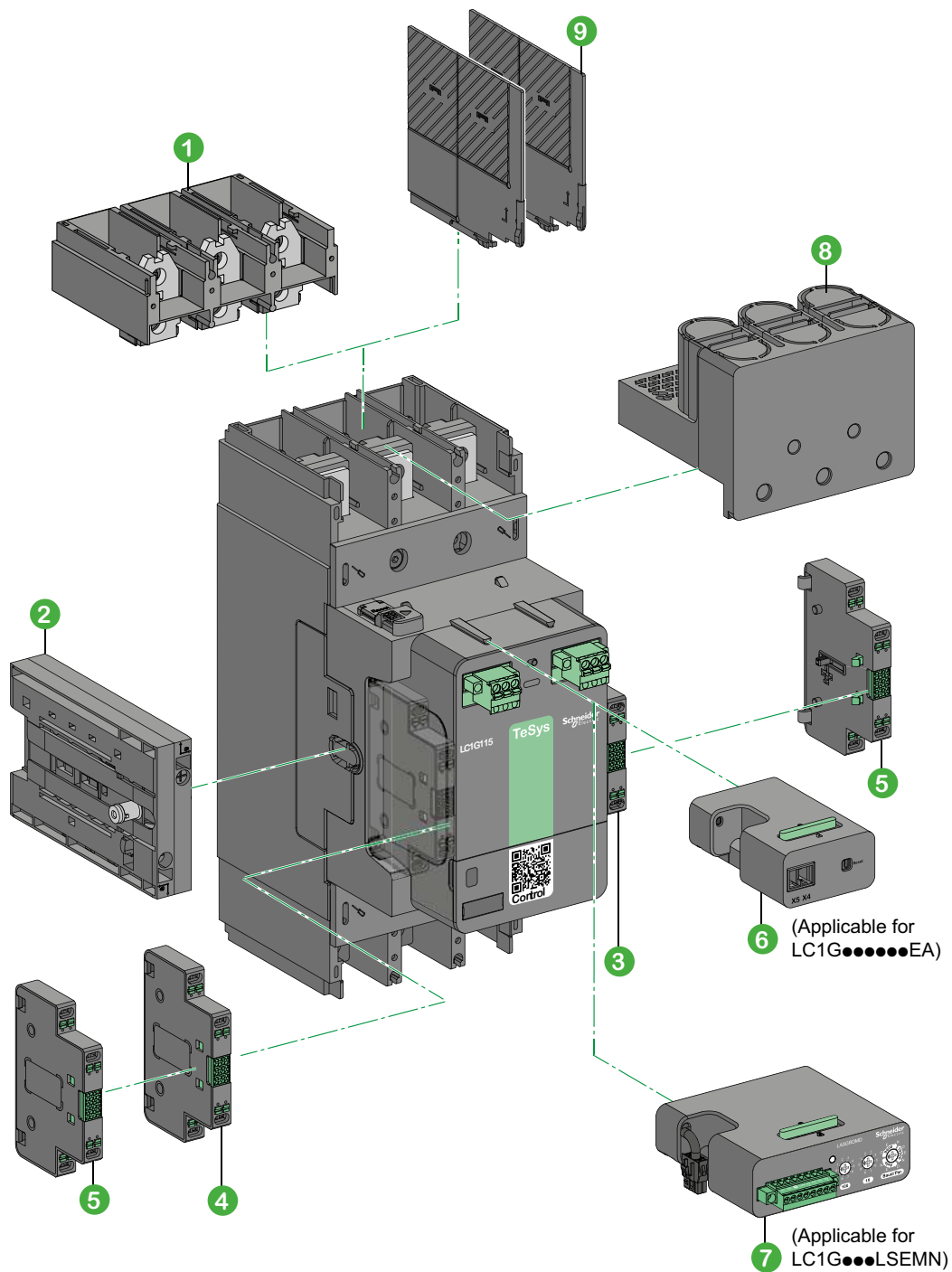
250 A

Power & control

- 3 poles
- 250 A (DC-1, 3 poles connected in series)
- Up to 1500 V DC
- Embedded 1 NO + 1 NC auxiliary contacts
- Push-in type terminals for coils & control

Remote control

- 24...48 V, 48...130 V, 100...250V, 200...500 V AC/DC coils
- Wide voltage range coils (direct coil control)
- Embedded surge-suppressor



- ① Cable memory kit **LA9G3102**, is always supplied along with Advanced version, and it's an optional accessory for Standard version.
- ② Mechanical interlock **LA9G970**, can be installed on either side of the contactor.
- ③ Auxiliary contact module **LAG8N113P** (1 NO + 1 NC) supplied with LC1G contactor.
- ④ Auxiliary contact modules **LAG8N113P / LAG8N203P**, can be installed on the contactor lateral faces ⁽¹⁾
- ⑤ Auxiliary contact modules **LAG8N113 / LAG8N203**, can be installed on either side as 2nd set of contacts.
- ⑥ Remote Diagnostic (RWD) Module **LA9GRD01 / LA9GRD10**, can be installed and used only in Advanced version.
- ⑦ Remote Diagnostic Modbus (RDM) module **LA9GRDMD**, can be installed and used only with the LC1G115...800LSEMN contactors.
- ⑧ IP 20 terminal shroud **LA9G3701**.
- ⑨ Phase separators **LA9G3801**, please refer to pages B9/15 to B9/19 for complete details of available accessories.

Note: a maximum of 2 auxiliary contact modules can be mounted on each side of the contactor.
 (1) Does not increase the contactor dimensions when fitted on both sides.

TeSys Control

Giga High Power Contactors – Advanced – 3-pole and 4-pole

Product references



Coordination tables:
p. A5/7 to A5/44

Characteristics:
p. B9/27 to B9/32

Dimensions:
p. B9/34 to B9/36

Schemes:
p. B9/38

TeSys Giga 3-pole Advanced contactors – For motor control (115 to 800 A)



Motor ratings (kW) $\theta \leq 60^\circ\text{C}$

IEC																					Double Page Table
AC-3							AC-3e ⁽¹⁾							AC-4							
230 V	400 V	415 V	440 V	500 V	690 V	1000 V	230 V	400 V	415 V	440 V	500 V	690 V	1000 V	230 V	400 V	415 V	440 V	500 V	690 V	1000 V	
kW	kW	kW	kW	kW	kW	kW	kW	kW	kW	kW	kW	kW	kW	kW	kW	kW	kW	kW	kW	kW	
30	55	55	75	75	75	-	30	55	55	75	75	75	-	30	55	55	65	65	75	-	
37	75	75	90	90	90	75	37	75	75	90	90	90	75	37	75	75	80	90	90	75	
55	90	90	110	110	110	75	55	90	90	110	110	110	75	55	90	90	100	110	110	75	
55	110	110	132	132	160	132	55	110	110	132	132	160	132	55	110	110	129	132	132	110	
75	132	132	160	160	200	160	75	132	132	160	160	200	160	75	132	132	150	160	160	160	
90	160	160	200	200	220	185	90	160	160	185	200	220	185	90	160	160	185	200	220	185	
110	200	200	250	250	315	220	110	200	200	250	250	315	220	110	200	200	220	250	315	220	
160	250	250	315	355	355	335	147	250	250	280	315	355	335	150	250	250	295	295	355	280	
200	335	375	400	400	500	450	180	315	335	355	375	500	450	180	315	335	355	375	450	355	
250	450	450	450	500	560	450	200	335	355	375	425	560	450	200	375	355	375	400	475	400	



Double Page Table

TeSys Giga 3-pole and 4-pole Advanced contactors for load control only (non motor) – (250 to 1050 A)



High power contactors

Maximum current (A) ($\theta \leq 40^\circ\text{C}$)	General purpose continuous current (A)	Reference					
		Advanced version contactors					
		AC/DC coil voltage					
IEC	UL	3-pole			4-pole		
AC-1		24...48 V	48...130 V	200...500 V	24...48 V	48...130 V	200...500 V
250	210	LC1G115BEEA	LC1G115EHEA	LC1G115LSEA	LC1G1154BEEA	LC1G1154EHEA	LC1G1154LSEA
275	230	LC1G150BEEA	LC1G150EHEA	LC1G150LSEA	LC1G1504BEEA	LC1G1504EHEA	LC1G1504LSEA
305	250	LC1G185BEEA	LC1G185EHEA	LC1G185LSEA	LC1G1854BEEA	LC1G1854EHEA	LC1G1854LSEA
330	290	LC1G225BEEA	LC1G225EHEA	LC1G225LSEA	LC1G2254BEEA	LC1G2254EHEA	LC1G2254LSEA
385	340	LC1G265BEEA	LC1G265EHEA	LC1G265LSEA	LC1G2654BEEA	LC1G2654EHEA	LC1G2654LSEA
440	390	LC1G330BEEA	LC1G330EHEA	LC1G330LSEA	LC1G3304BEEA	LC1G3304EHEA	LC1G3304LSEA
550	490	LC1G400BEEA	LC1G400EHEA	LC1G400LSEA	LC1G4004BEEA	LC1G4004EHEA	LC1G4004LSEA
700	630	LC1G500BEEA	LC1G500EHEA	LC1G500LSEA	LC1G5004BEEA	LC1G5004EHEA	LC1G5004LSEA
1050	850	-	LC1G630EHEA	LC1G630LSEA	-	LC1G6304EHEA	LC1G6304LSEA
1050	900	-	LC1G800EHEA	LC1G800LSEA	-	LC1G8004EHEA	LC1G8004LSEA

(1) Switching of IE3/IE4 high efficiency squirrel-cage motors.

TeSys Control

Giga High Power Contactors – Advanced – 3-pole and 4-pole

Product references



Coordination tables:
p. A5/7 to A5/44

Characteristics:
p. B9/27 to B9/31

Dimensions:
p. B9/34 to B9/36

Schemes:
p. B9/38

Motor ratings (HP) UL- 3phase				Reference Advanced version contactors AC/DC coil voltage 3-pole		
200/208 V	230/240 V	460/480 V	575/600 V	24...48 V	48...130 V	200...500 V
30	40	75	100	LC1G115BEEA	LC1G115EHEA	LC1G115LSEA
40	50	100	125	LC1G150BEEA	LC1G150EHEA	LC1G150LSEA
50	60	125	150	LC1G185BEEA	LC1G185EHEA	LC1G185LSEA
60	75	150	150	LC1G225BEEA	LC1G225EHEA	LC1G225LSEA
75	100	200	200	LC1G265BEEA	LC1G265EHEA	LC1G265LSEA
100	125	250	300	LC1G330BEEA	LC1G330EHEA	LC1G330LSEA
125	150	300	400	LC1G400BEEA	LC1G400EHEA	LC1G400LSEA
150	200	400	450	LC1G500BEEA	LC1G500EHEA	LC1G500LSEA
250	300	600	700	-	LC1G630EHEA	LC1G630LSEA
300	350	700	800	-	LC1G800EHEA	LC1G800LSEA

High power
contactors

TeSys Control

Giga High Power Contactors – Standard – 3-pole and 4-pole

Product references



Coordination tables:
p. A5/7 to A5/44

Characteristics:
p. B9/27 to B9/32

Dimensions:
p. B9/34 to B9/36

Schemes:
p. B9/38

TeSys Giga 3-pole Standard contactors – For motor control – (115 to 800 A)



Motor ratings (kW) $\theta \leq 60^\circ\text{C}$																				
IEC																				
AC-3							AC-3e ⁽¹⁾							AC-4						
230 V	400 V	415 V	440 V	500 V	690 V	1000 V	230 V	400 V	415 V	440 V	500 V	690 V	1000 V	230 V	400 V	415 V	440 V	500 V	690 V	1000 V
kW	kW	kW	kW	kW	kW	kW	kW	kW	kW	kW	kW	kW	kW	kW	kW	kW	kW	kW	kW	kW
30	55	55	75	75	75	-	30	55	55	75	75	75	-	30	55	55	65	65	75	-
37	75	75	90	90	90	75	37	75	75	90	90	90	75	37	75	75	80	90	90	75
55	90	90	110	110	110	75	55	90	90	110	110	110	75	55	90	90	100	110	110	75
55	110	110	132	132	160	132	55	110	110	132	132	160	132	55	110	110	129	132	132	110
75	132	132	160	160	200	160	75	132	132	160	160	200	160	75	132	132	150	160	160	160
90	160	160	200	200	220	185	90	160	160	185	200	220	185	90	160	160	185	200	220	185
110	200	200	250	250	315	220	110	200	200	250	250	315	220	110	200	200	220	250	315	220
160	250	250	315	355	355	335	147	250	250	280	315	355	335	150	250	250	295	295	355	280
200	335	375	400	400	500	450	180	315	335	355	375	500	450	180	315	335	355	375	450	355
250	450	450	450	500	560	450	200	335	355	375	425	560	450	200	375	355	375	400	475	400



Double Page Table

TeSys Giga 3-pole and 4-pole Standard contactors for load control only (non motor) – (250 to 1050 A)



High power contactors

IEC	General purpose continuous current (A)	Reference				
		Standard version contactors				
		AC/DC coil voltage				
AC-1	UL	3-pole			4-pole	
		48...130 V	100...250 V	200...500 V	48...130 V	100...250 V
250	210	LC1G115EHEN	LC1G115KUEN	LC1G115LSEMN	LC1G1154EHEN	LC1G1154KUEN
275	230	LC1G150EHEN	LC1G150KUEN	LC1G150LSEMN	LC1G1504EHEN	LC1G1504KUEN
305	250	LC1G185EHEN	LC1G185KUEN	LC1G185LSEMN	LC1G1854EHEN	LC1G1854KUEN
330	290	LC1G225EHEN	LC1G225KUEN	LC1G225LSEMN	LC1G2254EHEN	LC1G2254KUEN
385	340	LC1G265EHEN	LC1G265KUEN	LC1G265LSEMN	LC1G2654EHEN	LC1G2654KUEN
440	390	LC1G330EHEN	LC1G330KUEN	LC1G330LSEMN	LC1G3304EHEN	LC1G3304KUEN
550	490	LC1G400EHEN	LC1G400KUEN	LC1G400LSEMN	LC1G4004EHEN	LC1G4004KUEN
700	630	LC1G500EHEN	LC1G500KUEN	LC1G500LSEMN	LC1G5004EHEN	LC1G5004KUEN
1050	850	LC1G630EHEN	LC1G630KUEN	LC1G630LSEMN	LC1G6304EHEN	LC1G6304KUEN
1050	900	LC1G800EHEN	LC1G800KUEN	LC1G800LSEMN	LC1G8004EHEN	LC1G8004KUEN

(1) Switching of IE3/IE4 high efficiency squirrel-cage motors.

TeSys Control

Giga High Power Contactors – Standard – 3-pole and 4-pole

Product references



Coordination tables:
p. A5/7 to A5/44

Characteristics:
p. B9/27 to B9/29
and B9/32

Dimensions:
p. B9/34 to B9/36

Schemes:
p. B9/38

Motor ratings (HP) UL - 3phase				Reference Standard version contactors AC/DC coil voltage 3-pole		
200/208 V	230/240 V	460/480 V	575/600 V	48...130 V	100...250 V	200...500 V
30	40	75	100	LC1G115EHEN	LC1G115KUEN	LC1G115LSEMN
40	50	100	125	LC1G150EHEN	LC1G150KUEN	LC1G150LSEMN
50	60	125	150	LC1G185EHEN	LC1G185KUEN	LC1G185LSEMN
60	75	150	150	LC1G225EHEN	LC1G225KUEN	LC1G225LSEMN
75	100	200	200	LC1G265EHEN	LC1G265KUEN	LC1G265LSEMN
100	125	250	300	LC1G330EHEN	LC1G330KUEN	LC1G330LSEMN
125	150	300	400	LC1G400EHEN	LC1G400KUEN	LC1G400LSEMN
150	200	400	450	LC1G500EHEN	LC1G500KUEN	LC1G500LSEMN
250	300	600	700	LC1G630EHEN	LC1G630KUEN	LC1G630LSEMN
300	350	700	800	LC1G800EHEN	LC1G800KUEN	LC1G800LSEMN

High power
contactors

TeSys Control

Giga High Power Contactors – DC Version

Product references

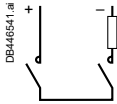


Characteristics:
p. B9/27 to B9/33

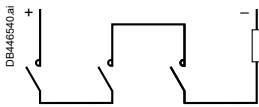
Dimensions:
p. B9/34



LC1G250DC●●●●



2 poles in series



3 poles in series

3-pole DC contactors - up to 250 A / 1500 V - Category DC-1

No. of poles connected in series	Rated operational voltage U_e	Rated operational current I_e in DC-1 ($\leq 40^\circ\text{C}$)	Instantaneous auxiliary contacts		Basic reference, to be completed by adding the control voltage code and the offer type code ⁽¹⁾	Weight
	V DC	A				kg
2 poles	1000	200	1	1	LC1G250DC●●●●	3.3
3 poles	1500	250	1	1	LC1G250DC●●●●	3.3

Control voltage codes

AC/DC	Volts	24...48	48...130	100...250	200...500
LC1G250DC					
U	0.85...1.1 U_c ⁽²⁾	BEE	EHE	KUE	LSE
Offer type code:		DCEBEEA	DCEHEN	DCKUEN	DCLSEN

⁽¹⁾ Please check the availability of your variant in the index page B9/24. The SEARCH function of your viewer can be used.
⁽²⁾ 0.7 U_c min for 110 V DC input (with KUE coil).

TeSys Control

Giga High Power Contactors – Auxiliary contact modules

Product references

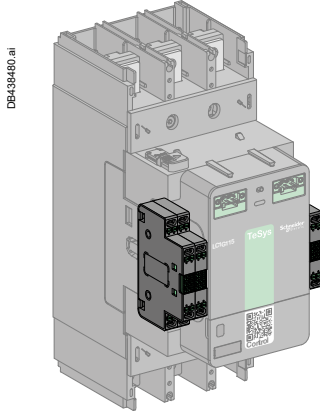


Coordination tables:
p. A5/7 to A5/44

Schemes:
p. B9/38



LAG8N113



Side mounting –
maximum 2 per side

Auxiliary contact modules

Auxiliary contacts give an indication of the contactor status. They can be used for remote visual signaling, alarming, electrical locking, relay activation, etc...

Each contactor is equipped with 1 NO + 1 NC auxiliary contact block as standard.

■ Mechanically linked mirror contacts

The NC contact of the auxiliary contact block is mirror contact in conformity to IEC 60947-4-1 and it is mechanically linked to reliably represent the state of the main power contacts and wherever auxiliary contact state reliability is essential. The main power contacts and the NC of the auxiliary contact can't be closed at the same time.

Types of connections:

■ Push-in type.

Wide contactor compatibility

TeSys Giga auxiliary contact module is compatible with the whole range of TeSys Giga High power contactors .

Each TeSys Giga Contactor can be equipped with up to 4 auxiliary contact modules.

Electrical characteristics

Characteristics	
Rated thermal current (A)	10
Minimum load	1 mA at 17 V
Contact reliability	Failure rate 10^{-8}

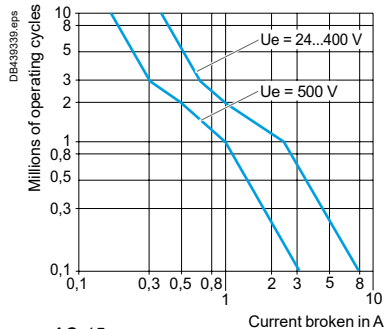
Operational power of contacts conforming to IEC 60947-5-1 - Electrical durability

category AC-15

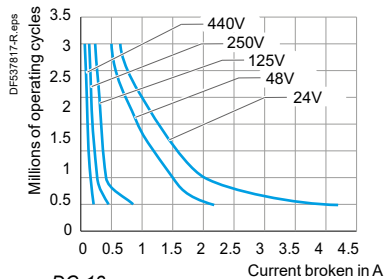
Operating cycles	V	24	48	115	230	400	500
1 million	VA	60	120	280	560	800	500
2 million	VA	24	48	115	230	400	250
3 million	VA	16	32	80	160	280	150

category DC-13

Operating cycles	V	24	48	125	250	440
0.5 million	W	100	100	105	110	88
1 million	W	48	72	54	54	55
2 million	W	24	36	38	38	39
3 million	W	16	24	25	25	33



AC-15



DC-13

Connector characteristics

Push-in connection - Dual input			Min/max c.s.a.
Flexible cable per input	1 conductor with cable end	mm ²	0.75...2.5
	2 conductors with Dual Sleeve	mm ²	0.75...2.5
Stripping length		mm	10
Solid cable per input	1 conductor	mm ²	0.75...2.5
	Stripping length	mm	12

Auxiliary contact modules

Description	Terminal type	Position	Type of contacts	Sold in lots of	Reference
Auxiliary contact module	Push-in	1 st left or right	1 NO + 1 NC	1	LAG8N113P ⁽¹⁾
			2 NO	1	LAG8N203P
	2 nd left or right	1 NO + 1 NC	1	LAG8N113	
		2 NO	1	LAG8N203	

⁽¹⁾ Always supplied with TeSys Giga LC1G contactors, fitted to the right side lateral face.

High power contactors

Power terminals

'Cable Memory' connection blocks

Cables or busbars can be connected to the contactor by means of the optional cable memory connection blocks. When the contactor is removed for maintenance, the cables or busbars remain connected to these connection blocks, making reinstallation faster and easier.



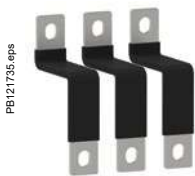
LA9G3101

Cable memory ⁽¹⁾			
Description	Compatible with contactors	Quantity Set of	Reference
'Cable memory' for 3-pole contactors – for holding cables in place	LC1G115...LC1G225	2	LA9G3101
	LC1G265...LC1G500	2	LA9G3102
	LC1G630...LC1G800	2	LA9G3103
'Cable memory' for 4-pole contactors – for holding cables in place	LC1G115...LC1G225	2	LA9G4101
	LC1G265...LC1G500	2	LA9G4102
	LC1G630...LC1G800	2	LA9G4103

(1) 'Cable memory' connection blocks are always supplied with Advanced contactor version.

Flexible terminal extensions

Flexible connecting bars to connect TeSys Giga High power contactors with MCCBs mounted in the same plane and orientation. These bars can be used along with Advanced or Standard version contactors. They help to get a quick and easy connection between contactor and MCCB with saving in installation time.



LA9G3111

'Flexible terminal extensions' for MCCBs				
Description	Compatible with contactors	To connect with NSX/NS MCCBs	Quantity Set of	Reference
Flexible terminal extensions 3-pole	LC1G115...LC1G225	NSX100...NSX250	3	LA9G3111
	LC1G265...LC1G500	NSX400...NSX630	3	LA9G3112
	LC1G630...LC1G800	NS800...NS1250	3	LA9G3113
Flexible terminal extensions 4-pole	LC1G115...LC1G225	NSX100...NSX250	4	LA9G4111
	LC1G265...LC1G500	NSX400...NSX630	4	LA9G4112
	LC1G630...LC1G800	NS800...NS1250	4	LA9G4113

Straight terminal extensions



LA9G3601

Description	Suitable for	Compatible with contactors	Quantity Set of	Reference
Straight terminal extension	3P	LC1G115...LC1G225	3	LA9G3601
		LC1G265...LC1G500	3	LA9G3602
		LC1G630...LC1G800	3	LA9G3603
	4P	LC1G115...LC1G225	4	LA9G4601
		LC1G265...LC1G500	4	LA9G4602
		LC1G630...LC1G800	4	LA9G4603

Right angled terminal extensions



LA9G3682

Description	Suitable for	Compatible with contactors	Quantity Set of	Reference
Right angled side terminal extension	3P	LC1G115...LC1G225	3	LA9G3661
		LC1G265...LC1G500	3	LA9G3662
		LC1G630...LC1G800	3	LA9G3663
Right angled large terminal extension	3P	LC1G115...LC1G225	3	LA9G3671
		LC1G265...LC1G500	3	LA9G3672
		LC1G630...LC1G800	3	LA9G3673
Right angled rear terminal extension	3P	LC1G115...LC1G225	3	LA9G3681
		LC1G265...LC1G500	3	LA9G3682
		LC1G630...LC1G800	3	LA9G3683

Edgewise terminal extensions



LA9G3631

Description	Suitable for	Compatible with contactors	Quantity Set of	Reference
Edgewise terminal extension	3P	LC1G115...LC1G225	3	LA9G3631
		LC1G265...LC1G500	3	LA9G3632
		LC1G630...LC1G800	3	LA9G3633
	4P	LC1G115...LC1G225	4	LA9G4631
		LC1G265...LC1G500	4	LA9G4632
		LC1G630...LC1G800	4	LA9G4633



LA9G3611

Power terminals

Spreader kits

Description	Suitable for	Compatible with contactors	Increase of Pole pitch	Quantity Set of	Reference
Spreader kits	3P	LC1G115...LC1G225	35 to 45 mm	3	LA9G3611
		LC1G265...LC1G500	45 to 70 mm	3	LA9G3612
	4P	LC1G115...LC1G225	35 to 45 mm	4	LA9G4611
		LC1G265...LC1G500	45 to 70 mm	4	LA9G4612



LA9G3613

Terminal extensions for larger power connections

Description	Suitable for	Compatible with contactors	Power connection size	Quantity Set of	Reference
Terminal connections	3P	LC1G400...LC1G500	50 mm width	3	LA9G3613
		LC1G630...LC1G800	80 mm width	3	LA9G3614
	4P	LC1G400...LC1G500	50 mm width	4	LA9G4613
		LC1G630...LC1G800	80 mm width	4	LA9G4614



LA9G4711

Spreader kits suitable for box type connectors

Description	Suitable for	Compatible with contactors	Increase of Pole pitch	Suitable for box connectors	Quantity Set of	Reference
Spreader kits for box connectors	3P	LC1G115...LC1G225	35 to 45 mm	DZ2FJ1/FH1 & AL400	3	LA9G3711
		LC1G265...LC1G500	45 to 70 mm	DZ2FJ1/FK1 & AL400/AL600	3	LA9G3712
		LC1G630...LC1G800	70 to 80 mm	DZ2FL1/FK1 & Type S/AL600	3	LA9G3714
	4P	LC1G115...LC1G225	35 to 45 mm	DZ2FJ1/FH1 & AL400	4	LA9G4711
		LC1G265...LC1G500	45 to 70 mm	DZ2FJ1/FK1 & AL400/AL600	4	LA9G4712
		LC1G630...LC1G800	70 to 80 mm	DZ2FL1/FK1 & Type S/AL600	4	LA9G4714

Power terminal accessories



Phase separators

Description	Suitable for	Compatible with contactors	Quantity Set of	Reference
Phase separators ⁽¹⁾	3P	LC1G115...LC1G800	2	LA9G3801
	4P	LC1G115...LC1G800	3	LA9G4801
	3P – with 50/80 mm spreaders	LC1G400...LC1G800	2	LA9G3803 ⁽²⁾
	4P – with 50/80 mm spreaders	LC1G400...LC1G800	3	LA9G4803 ⁽³⁾



Terminal shrouds

Description	Compatible with contactors	Quantity Set of	Reference	
			3P	4P
IP 20 Terminal shrouds ⁽¹⁾	LC1G115...LC1G225	1	LA9G3701	LA9G4701
	LC1G265...LC1G500	1	LA9G3702	LA9G4702
	LC1G630...LC1G800	1	LA9G3703	LA9G4703



IP20 Lug cover for connection kits ⁽⁴⁾

Lug covers are used along with IP 20 terminal shrouds and star-delta, reverser and changeover connection kit assemblies to improve insulation of the coupling bars and achieve IP 20 for the complete assembly.

IP20 Lug cover for connection kits

Description	Suitable for	Compatible with contactors	Quantity Set of	Reference
IP 20 Lug cover	3P	LC1G115...LC1G800 ⁽⁴⁾	6	LA9G3707
	4P	LC1G115...LC1G800 ⁽⁴⁾	8	LA9G4707



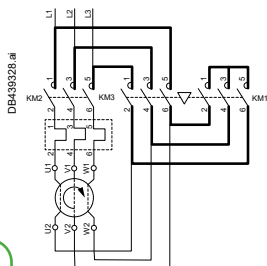
Lugs for cable set

Description	Compatible with contactors	Cable section	Reference	
			Set of 3 for 3P	Set of 4 for 4P
Lugs for cable	LC1G115...LC1G225	120 mm ²	LV429252	LV429256
	LC1G115...LC1G225	150 mm ²	LV429253	LV429257
	LC1G115...LC1G225	185 mm ²	LV429254	LV429258
	LC1G265...LC1G500	240 mm ²	LV432500	LV432501
	LC1G265...LC1G500	300 mm ²	LV432502	LV432503



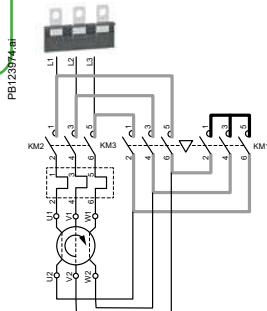
Star-Delta (Wye-Delta) connection kits ⁽⁵⁾

Description	Suitable for	for Line (KM2) and Delta (KM3) contactor	+ Star contactor (KM1)	Reference
Connection kit: bars for Line-Delta-Star contactor assembly	3P	LC1G115...LC1G225	LC1G115...LC1G225	LA9GQQ330
		LC1G265...LC1G500	LC1G115...LC1G225	LA9GSQ330
		LC1G265...LC1G500	LC1G265...LC1G500	LA9GSS330
		LC1G630...LC1G800	LC1G265...LC1G500	LA9GTS330
		LC1G630...LC1G800	LC1G630...LC1G800	LA9GTT330
with cable memory kit	3P	LC1G265...LC1G500	LC1G115...LC1G225	LA9GSQ331
		LC1G630...LC1G800	LC1G265...LC1G500	LA9GTS331



Star (Wye) connection kits ⁽⁵⁾

Description	Suitable for	Star contactor (KM1)	Reference
Connection kit for star contactor	3P	LC1G115...LC1G225	LA9GQW601
		LC1G265...LC1G500	LA9GSW601
		LC1G630...LC1G800	LA9GTW601



DC Coupling Bar Kit

Description	Suitable for	Reference
Connection kit for DC contactor	DC Giga contactor LC1G250DC	LA9GQU601

Note: RE17RMMWS timer to be used for Star-Delta starter application.

- (1) Either phase separators or terminal shrouds can only be mounted. Phase separators or terminal shrouds are mandatory for operational voltage, $U_e \geq 690$ V.
- (2) To be used with LA9G3613 and LA9G3614.
- (3) To be used with LA9G4613 and LA9G4614.
- (4) LC1G630 & LC1G800 contactors need 2 pcs. of IP20 covers per pole. So 2 x LA9G3707 or 2 x LA9G4707 need to be ordered for these contactor assemblies. Please consult your Local Schneider Electric Technical Support for more details.
- (5) UL listed.



TeSys Control

Giga High Power Contactors – Power wiring accessories

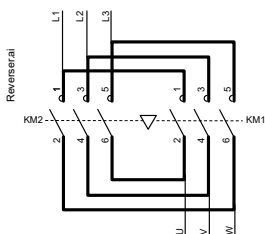
Product references



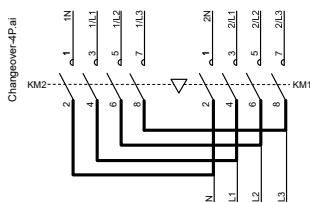
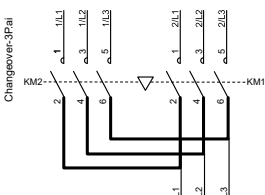
Mechanical interlock				
Description	Suitable for	Compatible with contactors		Reference
		Contactors 1	Contactors 2	
Mechanical interlock between contactors ⁽¹⁾	3P and 4P	LC1G115...225	LC1G115...225	LA9G970
		LC1G265...500	LC1G265...500	LA9G970
		LC1G265...500	LC1G115...225	LA9G971
		LC1G630...800	LC1G265...500	LA9G972
		LC1G630...800	LC1G630...800	LA9G973



Reverser connection kits			
Description	Suitable for	Compatible with contactors	Reference
Connection kit: bars for reverser contactor assembly	3P	LC1G115...LC1G225	LA9G3760
		LC1G265...LC1G500	LA9G3761
		LC1G630...LC1G800	LA9G3762



Changeover connection kits			
Description	Suitable for	Compatible with contactors	Reference
Connection kit: bars for changeover contactor assembly	3P	LC1G115...LC1G225	LA9G3750
		LC1G265...LC1G500	LA9G3751
		LC1G630...LC1G800	LA9G3752
	4P	LC1G115...LC1G225	LA9G4750
		LC1G265...LC1G500	LA9G4751
		LC1G630...LC1G800	LA9G4752



Modular timer relay for star-delta starters

- 8 A, 1 CO, multifunction with spring terminals, 12...240 V AC/DC
- 17.5 mm width same size as a 1-pole circuit breaker
- Covers 0.1 s to 100 h timing
- Transparent cover to protect settings from being tampered
- Multi functional gives flexibility in maintenance

Modular timer relay for star-delta starters			
Description	Suitable for	Compatible with contactors	Reference
Harmony, Modular timing relay	3P	LC1G115...LC1G800	RE17RMMWS

⁽¹⁾ Maximum 3 auxiliary contacts can be installed between 2 contactors with mechanical interlock kit.

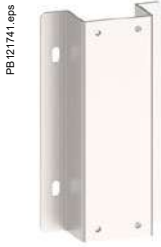
TeSys Control

Giga High Power Contactors – Mounting accessories

Product references



Dimensions:
p. B9/37



PB121741.eps

LA9GRFB1



PB121742.eps

LA9GRFB2

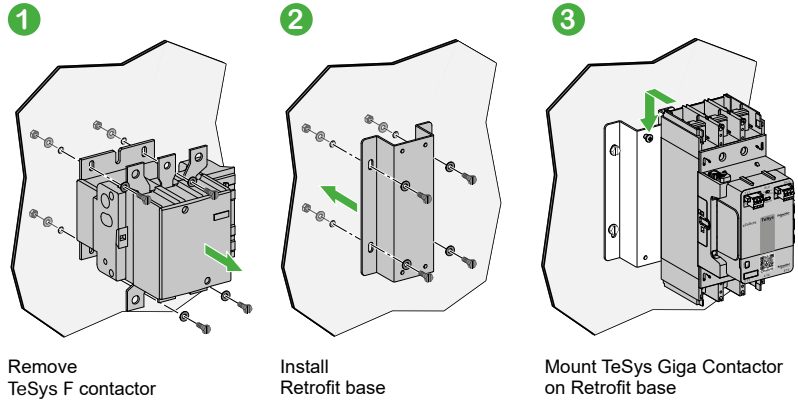


PB121743.eps

LA9GRFB3

Retrofit bases

- Suitable for 3 pole contactors
- Retrofit bases to replace similar ratings of TeSys F contactors with TeSys Giga High power contactors
- Enables quick and simple replacement in the existing installation
- 3 references to cover ranges from LC1F115 to F800



TeSys Giga retrofit bases are designed for integrating new TeSys Giga High power contactors into installations using TeSys F contactors. The retrofit bases help reduce replacement and reinstallation time when you upgrade your system with the new range of contactors. The bases come in two frame sizes.

Retrofit bases

Description	Reference
Accessory used to replace TeSys F contactors	LC1F115-225 replaced by LC1G115-225
	LC1F265-500 replaced by LC1G265-500
	LC1F630-800 replaced by LC1G630-800

LA9GRFB1

LA9GRFB2

LA9GRFB3



Schemes:
p. B9/39

Advanced Diagnostic Accessories

TeSys Giga contactors are embedded with contact wear algorithm, which continuously monitors and measures the remaining life of the switching module (power contacts). This algorithm also manages control voltage diagnosis, coil over-temperature along with internal functioning diagnosis and any abnormality is indicated by the in-built LED on the front face of the contactor.

Remote Diagnostic Modules are accessories for communicating TeSys Giga alarm signals locally and remotely. Continuous monitoring of contactor health status and remote signaling help taking suitable corrective actions and preparing for a planned preventive maintenance schedule. This allows switching modules to be replaced only when necessary. Easy installation on the contactor with snap-fit function allows keeping the overall contactor dimension unchanged.

Remote Wear Diagnostic (RWD) Module

- Remote or local signaling of contact wear diagnosis
- 2 available versions with 1 NO or 1 NC relay output to provide the alarm signal



LA9GRD10

Remote Wear Diagnostic (RWD) Module

Description	Reference
Remote Wear Diagnostic Module for TeSys Giga Contactor - 1 NO	LA9GRD10 ⁽¹⁾
Remote Wear Diagnostic Module for TeSys Giga Contactor - 1 NC	LA9GRD01 ⁽¹⁾

⁽¹⁾ Remote Wear Diagnostic (RWD) Module, can be installed and used only on Advanced (LC1G.....A) version contactor.

Remote Diagnostic Modbus (RDM) Module

- A programmable Digital Output (DO) is available for remote or local signaling of contact wear, undervoltage or overvoltage, coil overtemperature or internal fault. RDM can record up to the last 5 events.
- By an embedded algorithm, these alarm signals are also available over MODBUS communication which supports up to 99 addresses and 115200 bps baud rate.



LA9GRDMD

Remote Diagnostic Modbus (RDM) Module

Description	Compatible with contactors	Reference
Remote Diagnostic Modbus Module	LC1G115...800LSEMN	LA9GRDMD

TeSys Control

Giga High Power Contactors – Spare Parts

Product references

Control module



LX1G3QLSEA

- Wide band electronic control**
- 24 V...500 V 50/60 Hz or DC control input**
- Advanced and standard versions**
- Accessible from the front for easy and quick replacement**

The control module is needed for the operation of the contactor. It performs the following functions:

- proper functioning of contactor based on the input control voltage
- monitoring and diagnostics of the pole condition
- generation of signaling commands.

The range of control modules is organized:

- per contactor size and for each rating,
- per control voltage range.

Each module has connectors for connecting:

- the coil control A1, A2 circuit & PLC output control (advanced version)
- pole status and diagnostic signaling circuits.



Control module replacement on a 3-pole contactor

Control modules						
Description	For contactors	References per voltage range (V AC/DC)	References per voltage range			
			24...48	48...130	200...500	
Control modules for Advanced contactors	3-pole	LC1G115...LC1G225	LX1G3QBEEA	LX1G3QEHEA	LX1G3QLSEA	
		LC1G265...LC1G330	LX1G3RBEEA	LX1G3REHEA	LX1G3RLSEA	
		LC1G400...LC1G500	LX1G3SBEEA	LX1G3SEHEA	LX1G3SLSEA	
		LC1G630...LC1G800	-	LX1G3TEHEA	LX1G3TLSEA	
Control modules for Advanced contactors	4-pole	LC1G115...LC1G225	LX1G4QBEEA	LX1G4QEHEA	LX1G4QLSEA	
		LC1G265...LC1G330	LX1G4RBEEA	LX1G4REHEA	LX1G4RLSEA	
		LC1G400...LC1G500	LX1G4SBEEA	LX1G4SEHEA	LX1G4SLSEA	
		LC1G630...LC1G800	-	LX1G4TEHEA	LX1G4TLSEA	
Control modules for Standard contactors	3-pole	LC1G115...LC1G225	LX1G3QEHEN	LX1G3QKUEN	LX1G3QLSEM N	
		LC1G265...LC1G330	LX1G3REHEN	LX1G3RKUEN	LX1G3RLSEM N	
		LC1G400...LC1G500	LX1G3SEHEN	LX1G3SKUEN	LX1G3SLSEM N	
		LC1G630...LC1G800	LX1G3TEHEN	LX1G3TKUEN	LX1G3TLSEM N	
	Control modules for Standard contactors	4-pole	LC1G115...LC1G225	LX1G4QEHEN	LX1G4QKUEN	
			LC1G265...LC1G330	LX1G4REHEN	LX1G4RKUEN	
			LC1G400...LC1G500	LX1G4SEHEN	LX1G4SKUEN	
			LC1G630...LC1G800	LX1G4TEHEN	LX1G4TKUEN	

Connector for control module		
Description	Reference	
Push-in terminal connector for control module	LA9G81	



LA9G81



PB121588.eps

Switching module kits

Replaceable switching modules

- Innovative contact switching modules for TeSys Giga High power contactors
- Replace worn-out poles with a new switching module in minutes, without having to disassemble the whole product
- No special tools are needed for the replacement.

TeSys Giga - Switching modules for TeSys Giga High power contactors , Advanced and Standard versions

Description	For contactors	Quantity Set of	Reference
3 or 4 switching module kits	3-pole	LC1G115...LC1G225	LA9G3QA
		LC1G265...LC1G330	LA9G3RA
		LC1G400...LC1G500	LA9G3SA
		LC1G630...LC1G800	LA9G3TA
	4-pole	LC1G115...LC1G225	LA9G4QA
		LC1G265...LC1G330	LA9G4RA
		LC1G400...LC1G500	LA9G4SA
		LC1G630...LC1G800	LA9G4TA

Note: In the event of replacement, replace all switching modules. After replacement, change the position of RESET button on the control module from A to B or B to A.


TeSys Control

Giga High Power Contactors

Product references

LA9G3101	LA9G4111	LC1G1154EHEN	LC1G2654EHEN	LV429252
LA9G3102	LA9G4112	LC1G1154KUEN	LC1G2654KUEN	LV429253
LA9G3103	LA9G4113	LC1G1154LSEA	LC1G2654LSEA	LV429254
LA9G3111	LA9G4601	LC1G115BEEA	LC1G265BEEA	LV429256
LA9G3112	LA9G4602	LC1G115EHEA	LC1G265EHEA	LV429257
LA9G3113	LA9G4603	LC1G115EHEN	LC1G265EHEN	LV429258
LA9G3601	LA9G4611	LC1G115KUEN	LC1G265KUEN	LV432500
LA9G3602	LA9G4612	LC1G115LSEA	LC1G265LSEA	LV432501
LA9G3603	LA9G4613	LC1G115LSEMN	LC1G3304BEEA	LV432502
LA9G3611	LA9G4614	LC1G150LSEMN	LC1G3304EHEA	LV432503
LA9G3612	LA9G4631	LC1G185LSEMN	LC1G3304EHEN	LX1G3QBEEA
LA9G3613	LA9G4632	LC1G225LSEMN	LC1G3304KUEN	LX1G3QEHEA
LA9G3614	LA9G4633	LC1G265LSEMN	LC1G3304LSEA	LX1G3QEHEN
LA9G3631	LA9G4701	LC1G330LSEMN	LC1G330BEEA	LX1G3QKUEN
LA9G3632	LA9G4702	LC1G400LSEMN	LC1G330EHEA	LX1G3QLSEA
LA9G3633	LA9G4703	LC1G500LSEMN	LC1G330EHEN	LX1G3QLSEMN
LA9G3650	LA9G4707	LC1G630LSEMN	LC1G330KUEN	LX1G3RBEEA
LA9G3651	LA9G4711	LC1G800LSEMN	LC1G330LSEA	LX1G3REHEA
LA9G3652	LA9G4712	LC1G1504BEEA	LC1G4004BEEA	LX1G3REHEN
LA9G3653	LA9G4714	LC1G1504EHEA	LC1G4004EHEA	LX1G3RKUEN
LA9G3661	LA9G4750	LC1G1504EHEN	LC1G4004EHEN	LX1G3RLSEA
LA9G3662	LA9G4751	LC1G1504KUEN	LC1G4004KUEN	LX1G3RLSEMN
LA9G3663	LA9G4752	LC1G1504LSEA	LC1G4004LSEA	LX1G3SBEEA
LA9G3671	LA9G4801	LC1G150BEEA	LC1G400BEEA	LX1G3SEHEA
LA9G3672	LA9G4803	LC1G150EHEA	LC1G400EHEA	LX1G3SEHEN
LA9G3673	LA9G4QA	LC1G150EHEN	LC1G400EHEN	LX1G3SKUEN
LA9G3681	LA9G4RA	LC1G150KUEN	LC1G400KUEN	LX1G3SLSEA
LA9G3682	LA9G4SA	LC1G150LSEA	LC1G400LSEA	LX1G3SLSEMN
LA9G3683	LA9G4TA	LC1G1854BEEA	LC1G5004BEEA	LX1G3TEHEA
LA9G3701	LA9G81	LC1G1854EHEA	LC1G5004EHEA	LX1G3TEHEN
LA9G3702	LA9G82	LC1G1854EHEN	LC1G5004EHEN	LX1G3TKUEN
LA9G3703	LA9G970	LC1G1854KUEN	LC1G5004KUEN	LX1G3TLSEA
LA9G3704	LA9G971	LC1G1854LSEA	LC1G5004LSEA	LX1G3TLSEMN
LA9G3705	LA9G972	LC1G185BEEA	LC1G500BEEA	LX1G4QBEEA
LA9G3706	LA9G973	LC1G185EHEA	LC1G500EHEA	LX1G4QEHEA
LA9G3707	LA9GQQ330	LC1G185EHEN	LC1G500EHEN	LX1G4QEHEN
LA9G3711	LA9GRD01	LC1G185KUEN	LC1G500KUEN	LX1G4QKUEN
LA9G3712	LA9GRD10	LC1G185LSEA	LC1G500LSEA	LX1G4QLSEA
LA9G3714	LA9GRDMD	LC1G2254BEEA	LC1G6304EHEA	LX1G4RBEEA
LA9G3750	LA9GRFB1	LC1G2254EHEA	LC1G6304EHEN	LX1G4REHEA
LA9G3751	LA9GRFB2	LC1G2254EHEN	LC1G6304KUEN	LX1G4REHEN
LA9G3752	LA9GRFB3	LC1G2254KUEN	LC1G6304LSEA	LX1G4RKUEN
LA9G3760	LA9GSQ330	LC1G2254LSEA	LC1G630EHEA	LX1G4RLSEA
LA9G3761	LA9GSQ331	LC1G225BEEA	LC1G630EHEN	LX1G4SBEEA
LA9G3762	LA9GSS330	LC1G225EHEA	LC1G630KUEN	LX1G4SEHEA
LA9G3801	LA9GTS330	LC1G225EHEN	LC1G630LSEA	LX1G4SEHEN
LA9G3803	LA9GTS331	LC1G225KUEN	LC1G8004EHEA	LX1G4SKUEN
LA9G3QA	LA9GTT330	LC1G225LSEA	LC1G8004EHEN	LX1G4SLSEA
LA9G3RA	LAG8N113	LC1G250DCBEEA	LC1G8004KUEN	LX1G4TEHEA
LA9G3SA	LAG8N113P	LC1G250DCEHEN	LC1G8004LSEA	LX1G4TEHEN
LA9G3TA	LAG8N203	LC1G250DCKUEN	LC1G800EHEA	LX1G4TKUEN
LA9G4101	LAG8N203P	LC1G250DCLSEN	LC1G800EHEN	LX1G4TLSEA
LA9G4102	LC1G1154BEEA	LC1G2654BEEA	LC1G800KUEN	
LA9G4103	LC1G1154EHEA	LC1G2654EHEA	LC1G800LSEA	

High power contactors

This document is current.  Click on the product reference to get the most recent availability status (hyperlink to [se.com](https://www.se.com) product datasheet). If your product variant is no longer available, please consult your distributor or regional sales office.

Technical Data for Designers

Contents

TeSys Giga High Power Contactors:

- > Characteristics B9/27 to B9/32
- > Dimensions B9/34 to B9/37
- > Diagrams B9/38

High power
contactors

TeSys Control

Giga High Power Contactors

Characteristics



Coordination tables:
p. A5/7 to A5/44

References:
p. B9/10 to B9/23

Dimensions:
p. B9/34 to B9/36

Schemes:
p. B9/38

Environment				LC1G115... 225	LC1G265... 500	LC1G630... 800	LC1G250DC
Contactor type							
Rated insulation voltage (Ui)	Conforming to IEC 60947-4-1. Over-voltage category III, degree of pollution: 3		V	1000	1000	1000	1500 V DC
Rated impulse withstand voltage (Uimp)	Coil not connected to the power circuit		kV	8	8	8	12
Conforming to standards				IEC/EN 60947-4-1, UL 60947-4-1, CSA C22.2 n° 60947-4-1, JIS C 8201-4-1, GB/T 14048.4, IEC 60721-3-3 3C3			IEC/EN 60947-4-1, UL 60947-4-1, CSA C22.2 No 60947-4-2, DIN 3852-Y
Product certifications				CB scheme, CCC, cULus, UKCA, EAC, EU-RO-MR by DNV			CB Scheme, CCC, cULus, CE, UKCA
Electromagnetic compatibility				IEC 60947-4-1			
Immunity				Following IEC 60947-4-1 Table 16			
Emission				Environment A according to IEC 60947-4-1			
Immunity to radiated electromagnetic interference				20V/m according to IEC/EN 61000-4-3			
Voltage sag immunity				Conforming to SEMI-F47			
Degree of protection	Conforming to IEC 60529 / VDE 0106			IP2x with terminal shrouds LA9G37●●/ LA9G47●●			
Climatic withstand				According to IACS E10			–
Ambient air temperature around the device	Storage		°C	-60...+80			
	Operation		°C	-25...+60			
	Permissible at Uc		°C	-40...+70			
Net weight	Standard	3P	kg	3.5	7	14.2	3.5
		4P	kg	4.2	8.3	18	–
	Advanced	3P	kg	4.1	7.8	17.3	–
		4P	kg	5.1	8.9	22	–
Maximum operating altitude	Without derating		m	3000			
Operating positions	Without derating						
	With derating ⁽¹⁾						
Flame resistance	Conforming to IEC 60695-2-11		°C	850			
Shock resistance 1/2 sine wave = 11 ms Conforming to IEC 60068-2-27	Contactor open			10 gn			
	Contactor closed			15 gn			
Vibration resistance 5...300 Hz Conforming to IEC 60068-2-6	Contactor open			2 gn			
	Contactor closed			4 gn			

⁽¹⁾ For derating details, please consult your Local Schneider Electric Technical Support.

TeSys Control

Giga High Power Contactors

Characteristics



Coordination tables:
p. A5/7 to A5/44

References:
p. B9/10 to B9/23

Dimensions:
p. B9/34 to B9/36

Schemes:
p. B9/38

Pole characteristics

Contactor type		LC1G115	LC1G150	LC1G185	LC1G225		
Number of poles		3 or 4	3 or 4	3 or 4	3 or 4		
Rated operational current (Ie)	Ue ≤ 440 V In AC-3 / AC-3e, θ ≤ 60 °C	A	115 / 115	150 / 145	185 / 177	225 / 209	
	Ue ≤ 1000 V In AC-1, θ ≤ 40 °C	A	250	275	305	330	
Rated operational voltage (Ue)	Up to	V	1000 ⁽¹⁾	1000	1000	1000	
Rated frequency (f) ⁽²⁾		Hz	50 / 60	50 / 60	50 / 60	50 / 60	
Frequency operating limits	With derating ⁽³⁾	Hz	16 2/3 ...400	16 2/3 ...400	16 2/3 ...400	16 2/3 ...400	
Conventional thermal current	θ ≤ 40 °C	A	250	275	305	330	
Rated making capacity	I rms conforming to IEC 60947-4-1	A	Making current: 10 x I in AC-3 or 12 x I in AC-4 Making current: 13 x I in AC-3e				
Rated breaking capacity	I rms conforming to IEC 60947-4-1	A	Making and breaking current: 8 x I in AC-3 or 10 x I in AC-4 Making and breaking current: 8.5 x I in AC-3e				
Maximum permissible current No current flowing for previous 60 minutes, at θ ≤ 40 °C	For 10 s	A	1100	1200	1500	1800	
	For 30 s	A	640	700	920	1000	
	For 1 min	A	520	600	740	850	
	For 3 min	A	400	450	500	560	
	For 10 min	A	320	350	400	440	
Short-circuit protection by fuses	Fuses for motor: type aM - Ue ≤ 440 V	A	125	160	200	250	
	Fuses for motor: type aM - Ue ≤ 690 V	A	125	160	160	200	
	Fuses for general application: type gG - Ue ≤ 690 V	A	315	315	315	400	
Average impedance per pole	At Ith and 50 Hz	mΩ	0.18	0.18	0.17	0.15	
Power dissipation per pole for the above operational currents	AC-3 / AC-3e	W	3	5	6	8	
	AC-1	W	10	10	20	20	
Connection			Maximum c.s.a.				
	Bar	Number of bars	2	2	2	2	
		Bar	mm	25 x 6	25 x 6	25 x 6	25 x 6
		Cable with lug	mm ²	185	185	185	185
		Cable with connector	mm ²	185	185	185	185
		Bolt diameter	mm	Ø8.5	Ø8.5	Ø8.5	Ø8.5
Tightening torque	Power circuit connections	N.m	18	18	18	18	

(1) Ue ≤ 1000 V for AC-1 / Ue ≤ 690 V for AC-3 / AC-3e / AC-4.

(2) Please consult your Local Schneider Electric Technical Support for application with frequencies other than 50/60 Hz.

(3) For derating details, please consult your Local Schneider Electric Technical Support.

TeSys Control

Giga High Power Contactors

Characteristics



Coordination tables:
p. A5/7 to A5/44

References:
p. B9/10 to B9/23

Dimensions:
p. B9/34 to B9/36

Schemes:
p. B9/38

Pole characteristics

LC1G265	LC1G330	LC1G400	LC1G500	LC1G630	LC1G800
3 or 4	3 or 4	3 or 4	3 or 4	3 or 4	3 or 4
265 / 255	330 / 294	400 / 391	500 / 437	630 / 555	800 / 587
385	440	550	700	1050	1050
1000	1000	1000	1000	1000	1000
50 / 60	50 / 60	50 / 60	50 / 60	50 / 60	50 / 60
16 2/3...400	16 2/3...400	16 2/3...400	16 2/3...400	16 2/3...400	16 2/3...400
385	440	550	700	1050	1050

Making current: 10 x I in AC-3 or 12 x I in AC-4

Making current: 13 x I in AC-3e

Making and breaking current: 8 x I in AC-3 or 10 x I in AC-4

Making and breaking current: 8.5 x I in AC-3e

2200	2650	3600	4000	5050	5500
1230	1800	2400	2800	4400	4600
950	1300	1700	2200	3400	3600
620	900	1200	1500	2200	2600
480	750	1000	1200	1600	1700
315	400	500	500	630	800
250	250	315	400	500	630
400	500	630	800	1250	1250
0.144	0.144	0.1	0.08	0.065	0.065
11	16	16	20	26	42
20	30	30	40	70	70

Maximum c.s.a.

2	2	2	2	2	2
30 x 10	30 x 10	30 x 10	30 x 10	50 x 10	50 x 10
240	2 x 150	2 x 185	2 x 240	-	-
240	-	-	-	-	-
Ø10.6	Ø10.6	Ø10.6	Ø10.6	Ø13	Ø13
35	35	35	35	58	58

TeSys Control

Giga High Power Contactors

Characteristics



References:
p. B9/14

Dimensions:
p. B9/34

Pole characteristics

Contactor type		LC1G250DC	
Number of poles			3
Rated operational current (Ie)	Ue ≤ 1500 V DC 3 poles in series for DC-1, θ ≤ 40 °C	A	250
	Ue ≤ 1000 V DC 2 poles in series for DC-1, θ ≤ 40 °C	A	200
Rated operational voltage (Ue)	3 poles in series, up to	V DC	1500
	2 poles in series, up to		1000
Conventional thermal current	θ ≤ 40 °C	A	250
Rated making capacity	I rms conforming to IEC 60947-4-1	A	Making current: 1.5 x I in DC-1 for DC 3 poles in series Making current: 1.5 x I in DC-1 for DC 2 poles in series
Rated breaking capacity	I rms conforming to IEC 60947-4-1	A	Making and breaking current: 1.5 x I in DC-1 for DC 3 poles in series Making and breaking current: 1.5 x I in DC-1 for DC 2 poles in series
Short-circuit protection by fuses	Fuses for DC application: type aR - Ue ≤ 1500 V DC	A	315
	Fuses for DC application: type aR - Ue ≤ 1000 V DC	A	250
Average impedance per pole	At Ith	mΩ	0.17
Power dissipation per pole for the above operational currents	DC-1	W	10.7
Connection			Maximum c.s.a.
	Bar	Number of bars	2
		Bar	mm 25 x 6
		Cable with lug	mm² 185
		Cable with connector	mm² 185
	Bolt diameter	mm Ø8.5	
Tightening torque	Power circuit connections	N.m	18

TeSys Control

Giga High Power Contactors

Characteristics



Coordination tables:
p. A5/7 to A5/44

References:
p. B9/10 to B9/23

Dimensions:
p. B9/34 to B9/36

Schemes:
p. B9/38

TeSys Giga High power contactors - Advanced version - Control circuit characteristics with AC/DC coils					LC1G115...225	LC1G265...330	LC1G400...500	LC1G630...800	
Contactor type					V				
Rated control circuit voltage (Uc)					V	24...48 AC/DC, 48...130 AC/DC, 200...500 AC/DC ⁽¹⁾			
Control voltage limits (θ ≤ 60 °C)	AC input (50/60 Hz) ⁽²⁾ /DC input	Operation			0.8 Uc Min...1.1 Uc Max				
		Drop-out			0.1 Uc Max...0.45 Uc Min				
Inputs compatibility PLC digital output 24 V DC Type 3 IEC61131-2	Off-state			V DC	0...5				
	On-state			V DC	11...30				
Average consumption at 20 °C and at Uc	24...48 V AC/DC coil (BEE)	Inrush	50/60 Hz coil	VA	290	540	490	-	
			DC	W	220	380	350	-	
		Sealed	50/60 Hz coil	VA	10	17.9	17.9	-	
			DC	W	5.7	6.4	6	-	
		48...130 V AC/DC coil (EHE)	Inrush	50/60, 400 Hz coil	VA	260	430	450	560
				DC	W	190	360	360	440
	Sealed		50/60, 400 Hz coil	VA	8.9	11.7	11.7	12	
			DC	W	5	9	8.3	8.8	
	200...500 V AC/DC coil (LSE)	Inrush	50/60 Hz coil	VA	295	530	535	670	
			DC	W	215	300	300	390	
		Sealed	50/60 Hz coil	VA	13	16.1	15.4	17	
			DC	W	8	9	8.6	11	
Heat dissipation					W	4...5	5...6	5...6	5...6
Operating time	Closing "C"			ms	40...70	40...70	40...70	40...70	
	Opening "O"			ms	15...50	15...50	15...50	15...50	
Mechanical durability at Uc	In millions of operating cycles (max)				8	8	8	5	
Maximum operating rate at ambient temperature ≤ 60 °C	In operating cycles per hour	AC-1			300	300	300	300	
		AC-3/AC-3e			600	600	600	600	
		AC-4			150	150	60	60	
Coil control and PLC input connection (Push-in type)					Min/max c.s.a.				
Flexible cable	1 conductor with cable end			mm ²	0.25...2.5	0.25...2.5	0.25...2.5	0.25...2.5	
	2 conductors with Dual Sleeve			mm ²	0.5...1	0.5...1	0.5...1	0.5...1	
Solid cable	1 conductor			mm ²	0.2...2.5	0.2...2.5	0.2...2.5	0.2...2.5	
	Stripping length			mm	12	12	12	12	

(1) 24...48 V AC/DC control voltage option is available for LC1G115...LC1G500 ratings.

(2) AC input (50/60, 400 Hz)/DC input is available for EHE advanced coil.

TeSys Control

Giga High Power Contactors

Characteristics



Coordination tables:
p. A5/7 to A5/44

References:
p. B9/10 to B9/23

Dimensions:
p. B9/34 to B9/36

Schemes:
p. B9/38

TeSys Giga High power contactors - Standard version control circuit characteristics with AC/DC coils					LC1G115...225	LC1G265...330	LC1G400...500	LC1G630...800	
Contactor type									
Rated control circuit voltage (Uc)					V	48...130 AC/DC, 100...250 AC/DC, 200...500 AC/DC ⁽³⁾			
Control voltage limits ($\theta \leq 60^\circ\text{C}$)	AC input (50/60 Hz) /DC input	Operation			0.8 Uc Min...1.1 Uc Max ⁽¹⁾				
		Drop-out			0.1 Uc Max...0.45 Uc Min				
Average consumption at 20 °C and at Uc	48...130 V AC/DC coil (EHE) ⁽²⁾	Inrush	50/60 Hz coil	VA	640	780	965	990	
			DC	W	445	695	760	790	
		Sealed	50/60 Hz coil	VA	17.7	17.6	17.6	17.7	
			DC	W	7.8	7.8	7.8	9.5	
	100...250 V AC/DC coil (KUE)	Inrush	50/60 Hz coil	VA	540	700	750	800	
			DC	W	380	645	660	680	
		Sealed	50/60 Hz coil	VA	12.4	15	15.5	15	
			DC	W	7.8	9.1	9.3	9.5	
	200...500 V AC/DC coil (LSE) ⁽³⁾	Inrush	50/60 Hz coil	VA	295	530	535	670	
			DC	W	215	300	300	390	
		Sealed	50/60 Hz coil	VA	13	16.1	15.4	17	
			DC	W	8	9	8.6	11	
Heat dissipation					W	5...6	6...7	6...7	6...7
Operating time	Closing "C"			ms	40...70	40...70	40...70	40...70	
	Opening "O"			ms	15...50	15...50	15...50	15...50	
Mechanical durability at Uc		In millions of operating cycles (max)				8	8	8	5
Maximum operating rate at ambient temperature $\leq 60^\circ\text{C}$	In operating cycles per hour		AC-1		300	300	300	300	
			AC-3/AC-3e		600	600	600	600	
			AC-4		150	150	60	60	
Coil control connection (Push-in type)					Min/max c.s.a.				
Flexible cable	1 conductor with cable end			mm²	0.25...2.5	0.25...2.5	0.25...2.5	0.25...2.5	
	2 conductors with Dual Sleeve			mm²	0.5...1	0.5...1	0.5...1	0.5...1	
Solid cable	1 conductor			mm²	0.2...2.5	0.2...2.5	0.2...2.5	0.2...2.5	
	Stripping length			mm	12	12	12	12	

(1) 0.7 Uc Min for 110 V DC input (with KUE coil).

(2) Prospective peak current during switch-on: max 110 A with max duration of 200 μs (with EHE coil).

(3) The LSE coil for Giga contactors - Standard version is specific to MN type contactors only (Modbus Standard version).

TeSys Control

Giga High Power Contactors

Characteristics



References:
p. B9/14

Dimensions:
p. B9/34

TeSys Giga High power contactors - DC version control circuit characteristics with AC/DC coils					
Contactor type				LC1G250DC	
Rated control circuit voltage (Uc)				V	24...48 AC/DC, 48...130 AC/DC, 100...250 AC/DC, 200...500 AC/DC
Control voltage limits ($\theta \leq 60^\circ\text{C}$)	AC input (50/60 Hz) /DC input	Operation			0.8 Uc Min...1.1 Uc Max ⁽¹⁾
		Drop-out			0.1 Uc Max...0.45 Uc Min
Average consumption at 20 °C and at Uc	24...48 V AC/DC coil (BEE)	Inrush	50/60 Hz coil	VA	290
			DC	W	220
		Sealed	50/60 Hz coil	VA	10
			DC	W	5.7
	48...130 V AC/DC coil (EHE) ⁽²⁾	Inrush	50/60 Hz coil	VA	640
			DC	W	445
		Sealed	50/60 Hz coil	VA	17.7
			DC	W	7.8
	100...250 V AC/DC coil (KUE)	Inrush	50/60 Hz coil	VA	540
			DC	W	380
		Sealed	50/60 Hz coil	VA	12.4
			DC	W	7.8
200...500 V AC/DC coil (LSE)	Inrush	50/60 Hz coil	VA	295	
		DC	W	215	
	Sealed	50/60 Hz coil	VA	13	
		DC	W	8	
Heat dissipation				W	5...6
Operating time	Closing "C"			ms	40...70
	Opening "O"			ms	15...50
Mechanical durability at Uc		In millions of operating cycles (max)			1
Maximum operating rate at ambient temperature $\leq 60^\circ\text{C}$		In operating cycles per hour	DC-1		100
Coil control connection (Push-in type)					Min/max c.s.a.
Flexible cable	1 conductor with cable end		mm²		0.25...2.5
	2 conductors with Dual Sleeve		mm²		0.5...1
Solid cable	1 conductor		mm²		0.2...2.5
	Stripping length		mm		12

(1) 0.7 Uc Min for 110 V DC input (with KUE coil).

(2) Prospective peak current during switch-on: max 110 A with max duration of 200 μs (with EHE coil).

TeSys Control

Giga High Power Contactors

Dimensions



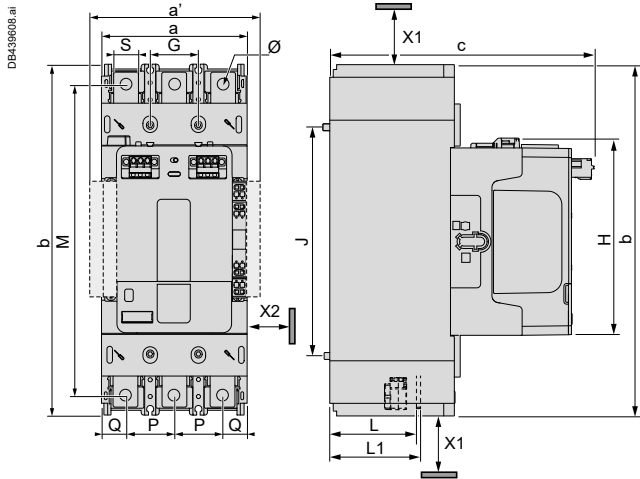
References:
p. B9/10 to B9/23

Characteristics:
p. B9/27 to B9/33

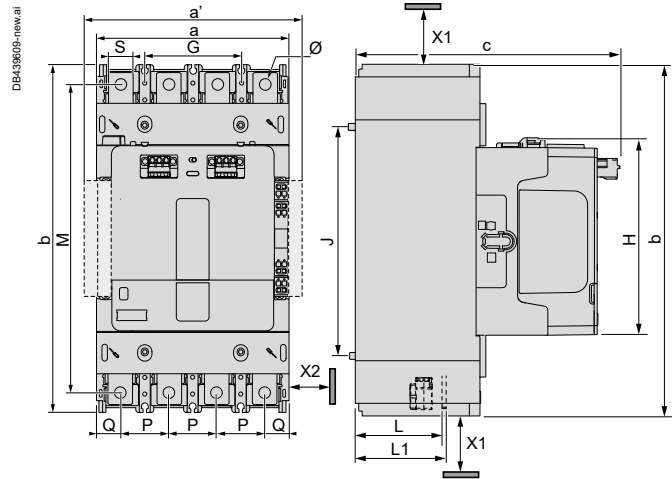
Schemes:
p. B9/38

Advanced LC1G115...225 TeSys Giga High power contactors

3-pole



4-pole



All dimensions are in mm.

a	b	c	G	J	M	H	L	L1	P	Q	S	Ø
107.7	254.7	192.9	35	166	225.7	144.1	63.9	66.9	35	18.9	18	8.5

All dimensions are in mm.

a	b	c	G	J	M	H	L	L1	P	Q	S	Ø
142.7	254.7	192.9	70	166	225.7	144.1	63.9	66.9	35	18.9	18	8.5

X1 (mm) = Minimum electrical clearance.

LC1G115...800, up to 1000 V: 40 mm

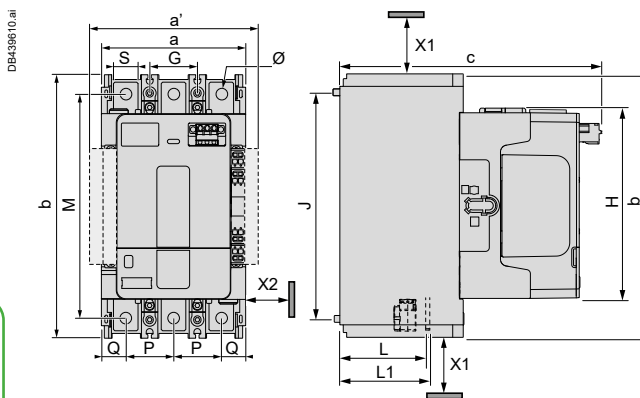
X2 (mm) = Minimum electrical clearance according to operating voltage inside metallic cabinets / adjacent installation of contactors.

LC1G115...800: 5 mm.

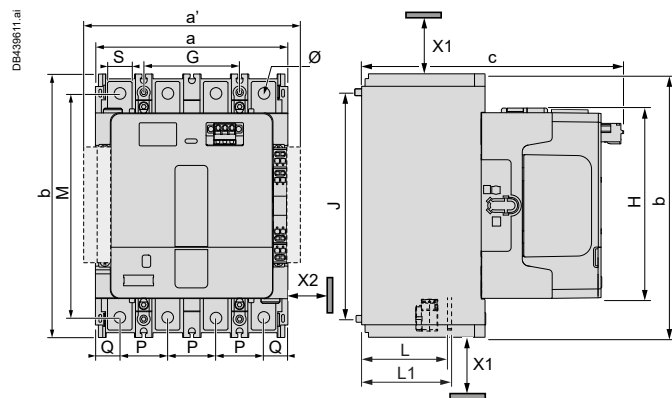
a' = a + 20 mm with additional auxiliary contact blocks on both sides (externally).

Standard LC1G115...225 & LC1G250DC TeSys Giga High power contactors

3-pole



4-pole



All dimensions are in mm.

a	b	c	G	J	M	H	L	L1	P	Q	S	Ø
107.7	193	192.9	35	166	164.1	139.4	66.9	69.9	35	18.9	18	8.5

All dimensions are in mm.

a	b	c	G	J	M	H	L	L1	P	Q	S	Ø
142.7	193	192.9	70	166	164.1	139.4	66.9	69.9	35	18.9	18	8.5

X1 (mm) = Minimum electrical clearance.

LC1G115...800, up to 1000 V: 40 mm

X2 (mm) = Minimum electrical clearance according to operating voltage inside metallic cabinets / adjacent installation of contactors.

LC1G115...800: 5 mm.

a' = a + 20 mm with additional auxiliary contact blocks on both sides (externally).

High power contactors

TeSys Control

Giga High Power Contactors

Dimensions



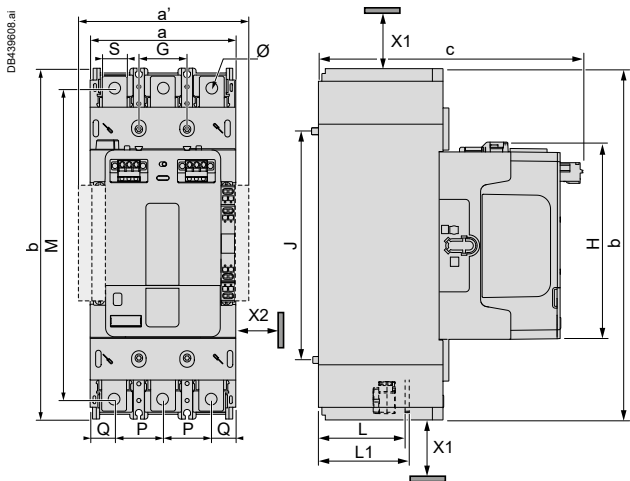
References:
p. B9/10 to B9/23

Characteristics:
p. B9/27 to B9/32

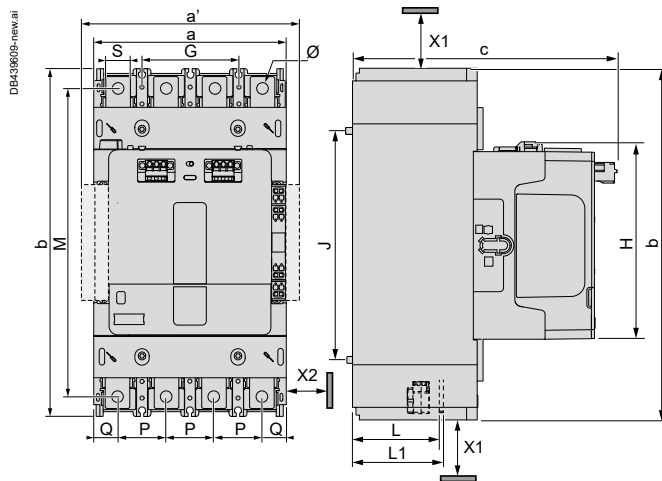
Schemes:
p. B9/38

Advanced LC1G265...500 TeSys Giga High power contactors

3-pole



4-pole



All dimensions are in mm.

a	b	c	G	J	M	H	L	L1	P	Q	S	Ø
140	290	225.5	45	187	261.6	166.7	72.8	78.8	45	25	30	10.6

All dimensions are in mm.

a	b	c	G	J	M	H	L	L1	P	Q	S	Ø
185	290	225.5	90	187	261.6	166.7	72.8	78.8	45	25	30	10.6

X1 (mm) = Minimum electrical clearance.

LC1G115...800, up to 1000 V: 40 mm.

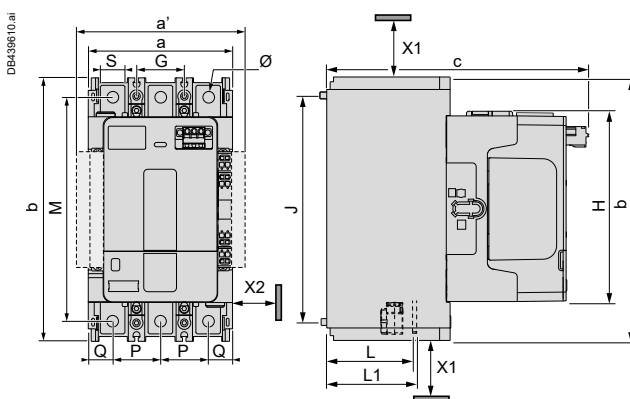
X2 (mm) = Minimum electrical clearance according to operating voltage inside metallic cabinets / adjacent installation of contactors.

LC1G115...800: 5 mm.

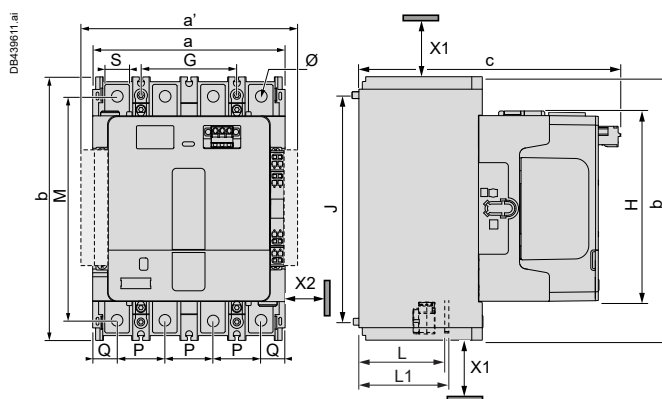
a' = a + 20 mm with additional auxiliary contact blocks on both sides (externally).

Standard LC1G265...500 TeSys Giga High power contactors

3-pole



4-pole



All dimensions are in mm.

a	b	c	G	J	M	H	L	L1
140	225	225.5	45	187	197	161.8	78.8	LC1G265-330: 81.8 LC1G400: 82.8 LC1G500: 83.8

All dimensions are in mm.

a	b	c	G	J	M	H	L	L1
185	225	225.5	90	187	197	161.8	78.8	LC1G265-330: 81.8 LC1G400: 82.8 LC1G500: 83.8

P	Q	S	Ø
45	25	30	10.6

P	Q	S	Ø
45	25	30	10.6

X1 (mm) = Minimum electrical clearance.

LC1G115...800, up to 1000 V: 40 mm.

X2 (mm) = Minimum electrical clearance according to operating voltage inside metallic cabinets / adjacent installation of contactors.

LC1G115...800: 5 mm.

a' = a + 20 mm with additional auxiliary contact blocks on both sides (externally).

High power contactors

TeSys Control

Giga High Power Contactors

Dimensions



References:
p. B9/10 to B9/23

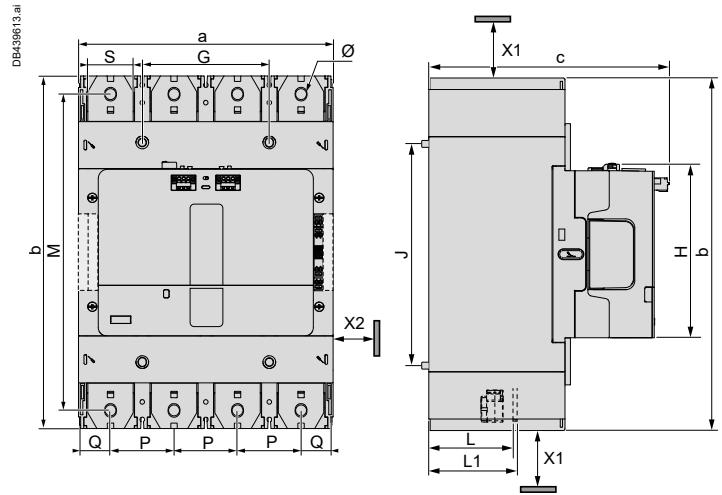
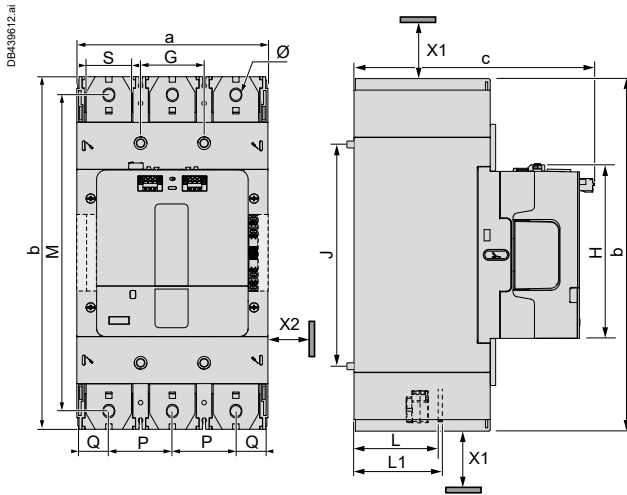
Characteristics:
p. B9/27 to B9/32

Schemes:
p. B9/38

Advanced LC1G630...800 TeSys Giga High power contactors

3-pole

4-pole



All dimensions are in mm.

a	b	c	G	J	M	H	L	L1	P	Q	S	Ø
210.6	388.5	265.6	70	242	348.5	192.1	99	107	70	35.3	48	13

All dimensions are in mm.

a	b	c	G	J	M	H	L	L1	P	Q	S	Ø
280.6	388.5	265.6	140	242	348.5	192.1	99	107	70	35.3	48	13

X1 (mm) = Minimum electrical clearance.

LC1G115...800, up to 1000 V: 40 mm.

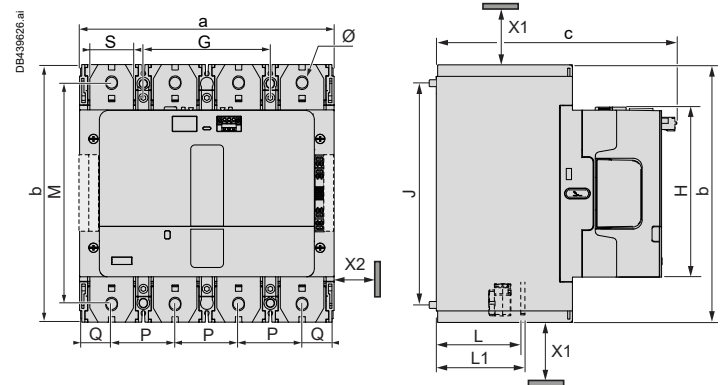
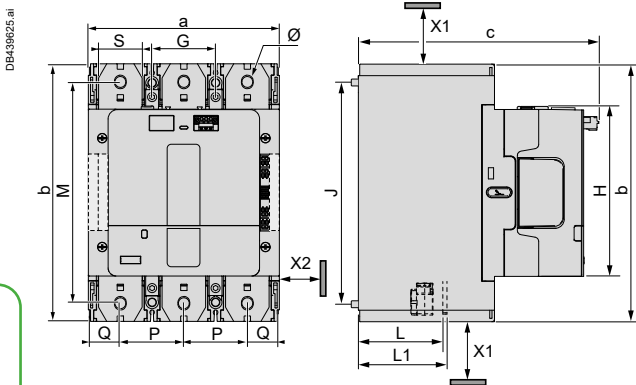
X2 (mm) = Minimum electrical clearance according to operating voltage inside metallic cabinets / adjacent installation of contactors.

LC1G115...800: 5 mm.

Standard LC1G630...800 TeSys Giga High power contactors

3-pole

4-pole



All dimensions are in mm.

a	b	c	G	J	M	H	L	L1	P	Q	S	Ø
210.6	284	265.6	70	242	244	187.4	107	113	70	35.3	48	13

All dimensions are in mm.

a	b	c	G	J	M	H	L	L1	P	Q	S	Ø
280.6	284	265.6	140	242	244	187.4	107	113	70	35.3	48	13

X1 (mm) = Minimum electrical clearance.

LC1G115...800, up to 1000 V: 40 mm.

X2 (mm) = Minimum electrical clearance according to operating voltage inside metallic cabinets / adjacent installation of contactors.

LC1G115...800: 5 mm.

High power contactors

TeSys Control

Retrofit base plates to replace TeSys F contactors

Dimensions/mounting

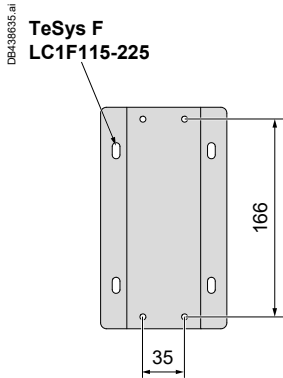


References:
p. B9/20

Dimensions

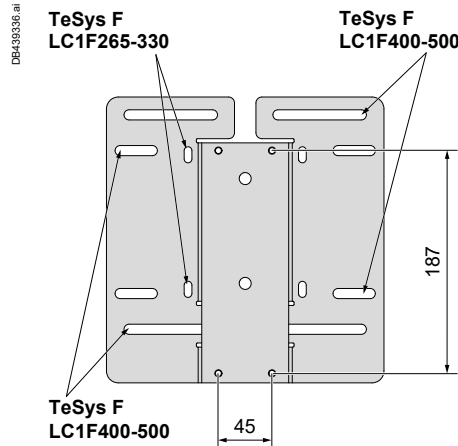
LA9GRFB1

For replacement of F115-225



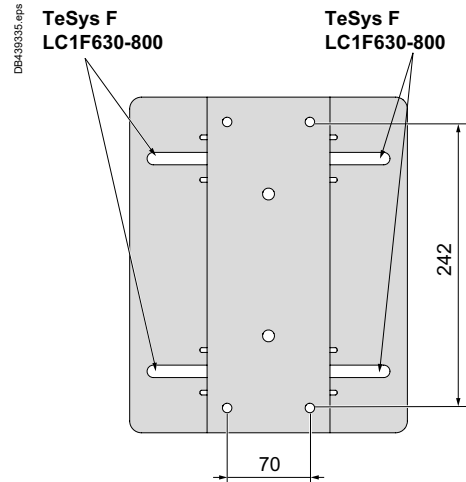
LA9GRFB2

For replacement of F265-500



LA9GRFB3

For replacement of F630 and F800



Note: All dimensions are in mm.

TeSys Control

Giga High Power Contactors

Schemes

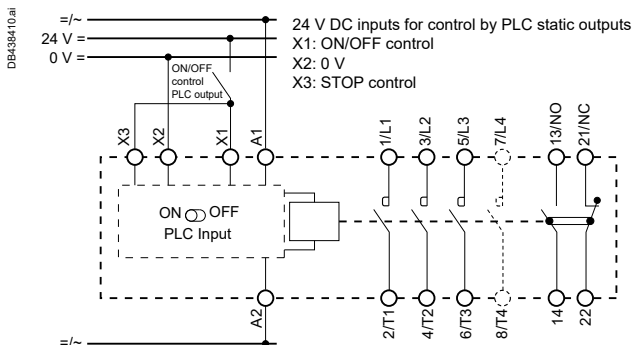


References:
p. B9/10 to B9/23

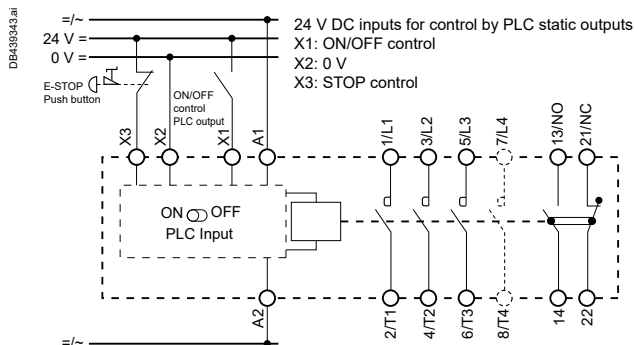
Dimensions:
p. B9/34 to B9/36

TeSys Giga High power contactors

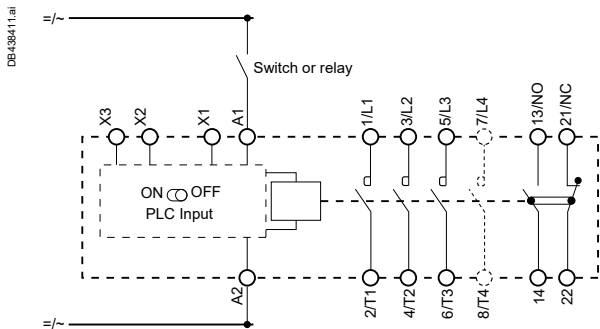
Advanced version - ON/OFF control by PLC



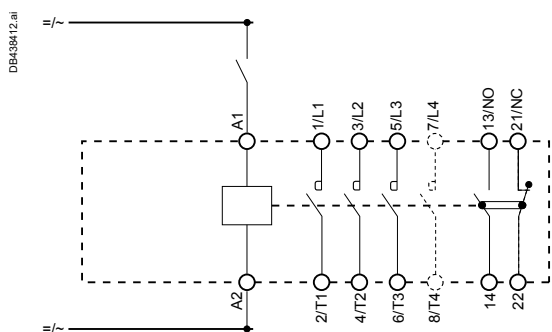
Advanced version - ON/OFF control by PLC in safety application



Advanced version - Control by switch



Standard version



Add-on blocks

Instantaneous auxiliary contacts

1 N/O + 1 N/C

2 N/O

1 N/O + 1 N/C

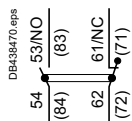
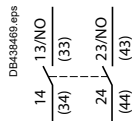
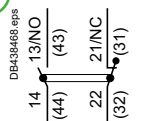
2 N/O

LAG8N113P
mirror contacts

LAG8N203P

LAG8N113
mirror contacts

LAG8N203



(1) Terminal numbers in brackets refer to blocks when mounted upside down, on left-hand side of contactor.

High power contactors

TeSys Control

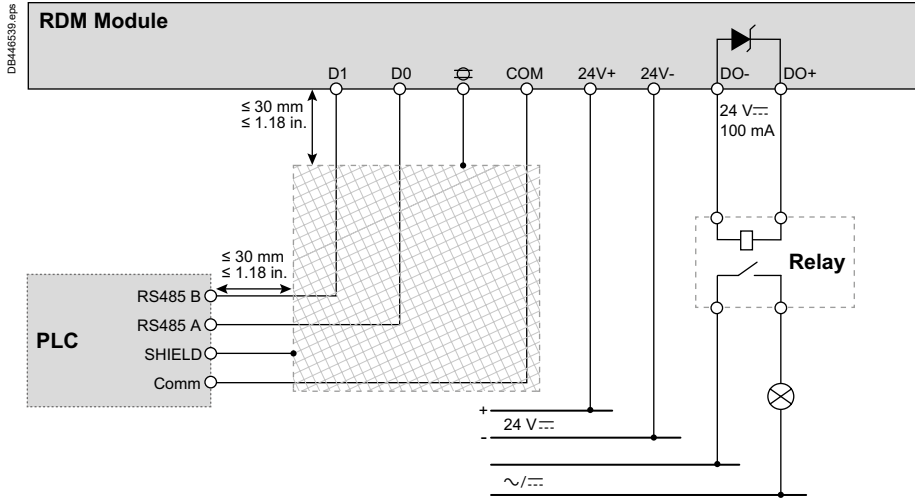
Giga High Power Contactors

Schemes






References:
p. B9/21

Remote Diagnostic Modbus (RDM) module LA9GRDMD



High power
contactors

TeSys F, FG, CR1F Contactors		
Type of product	Range	Pages
TeSys F Contactors for AC-3 applications	1000 A	 B10/2
TeSys F Contactors for AC-1 applications	From 1200 A to 3200 A	 B10/3
TeSys CR1F Magnetic latching contactors	From 150 to 630 A - AC-3	 B10/5
TeSys F Auxiliary contact blocks, accessories, spare parts, delayed opening devices		B10/6
TeSys F Coils		B10/11
Accessories, coils for magnetic latching contactors, TeSys CR1F		B10/15

Technical Data for Designers

B10/21

TeSys Control

F High power contactors

Product references



Characteristics:
p. B10/22 to B10/27

Dimensions:
p. B10/28 to B10/29

Schemes:
p. B10/30 to B10/31

PEI123973.png



LC1F1000

3-pole contactors - Motors 1000 A / 440 V Category AC-3 - a.c. or d.c. coils

Standard power ratings of 3-phase motors 50-60 Hz in category AC-3							Rated operational current in AC-3	Basic reference, to be completed by adding the voltage code ⁽¹⁾	Weight
220 V	380 V	660 V			440 V up to		Screw fixing, cabling	LC1F1000●●	kg
kW	kW	kW	kW	kW	kW	A			
315	560	630	670	-	-	-	1000	LC1F1000●●	31.000

Note: auxiliary contact blocks, modules and accessories: see pages B10/6 to B10/13.

(1) Please check the availability of your variant in the index page B10/20. The SEARCH function of your viewer can be used.

Volts ~	24	48	110	115	120	208	220	230	240	380	400	415	440
LC1F1000													
40...400 Hz (coil LX1F)	-	-	F7	-	G7	-	M7	P7	U7	Q7	V7	N7	R7
Volts ---	24	48	110	125	220	230	250	400	440				
LC1F1000													
(coil LX4F)	-	-	FD	GD	MD	-	UD	-	RD				

High power contactors

TeSys Control

F High power contactors

Product references



Characteristics:
p. B10/22 to B10/27

Dimensions:
p. B10/28 to B10/29

Schemes:
p. B10/30 to B10/31

PB124008.eps



LC1F1250

PB124009.eps



LC1F1700...2100

PB124010.eps




LC1F2600

LC1F3200P7_image_4000.eps



LC1F3200P7

3 or 4-pole contactors - Loads 1200 to 3200 A / 440 V Category AC-1 - a.c. or d.c. coils

Maximum current in AC-1 ($\theta \leq 40^\circ\text{C}$)	Number of poles 	Basic reference, to be completed by adding the voltage code ⁽¹⁾ Screw fixing, cabling	Weight
A			kg
1260	3	LC1F1250●●	19.000
1400	3	LC1F1400●●	29.000
1700	3	LC1F1700●●	30.000
2100 ⁽²⁾	3	LC1F2100●●	31.000
2600 ⁽³⁾	3	LC1F2600●●	36.000
3200 ⁽⁴⁾	3	LC1F3200●●	50.000

Note: auxiliary contact blocks, modules and accessories: see pages B10/6 to B10/14.

⁽¹⁾ Please check the availability of your variant in the index page B10/20. The SEARCH function of your viewer can be used.

⁽²⁾ With set of right-angled connectors LA9F2100 (see page B10/9).

⁽³⁾ With set of right-angled connectors LA9F2600 (see page B10/9).

⁽⁴⁾ With set of right-angled connectors LA9F3200 (see page B10/9).

Volts ~	24	48	110	115	120	208	220	230	240	380	400	415	440
LC1F1250 40...400 Hz (coil LX1)	-	E7	F7	FE7	G7	L7	M7	P7	U7	Q7	V7	N7	R7
LC1F1400, F1700, F2100, F2600 40...400 Hz (coil LX1F)	-	-	F7	-	G7	-	M7	P7	U7	Q7	V7	N7	R7
LC1F3200	-	-	-	-	-	-	-	P7	-	-	-	-	-
Volts ---	24	48	110	125	220	230	250	400	440				
LC1F1250 (coil LX4F)	-	ED	FD	GD	MD	-	UD	-	RD				
LC1F1400, F1700, F2100, F2600 (coil LX4F)	-	-	FD	GD	MD	-	UD	-	RD				
Volts ~/---	100...250												
LC1F1250, F2600 (coil LXE + ECM LA4EM) KUE													

High power contactors

High power
contactors

TeSys Control

CR1F High power magnetic latching contactors

Product references



Characteristics:
p. B10/32 to B10/41

Dimensions:
p. B10/42 to B10/45

CR1F185_image.eps




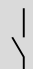
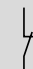
CR1F185

PB1085370.eps



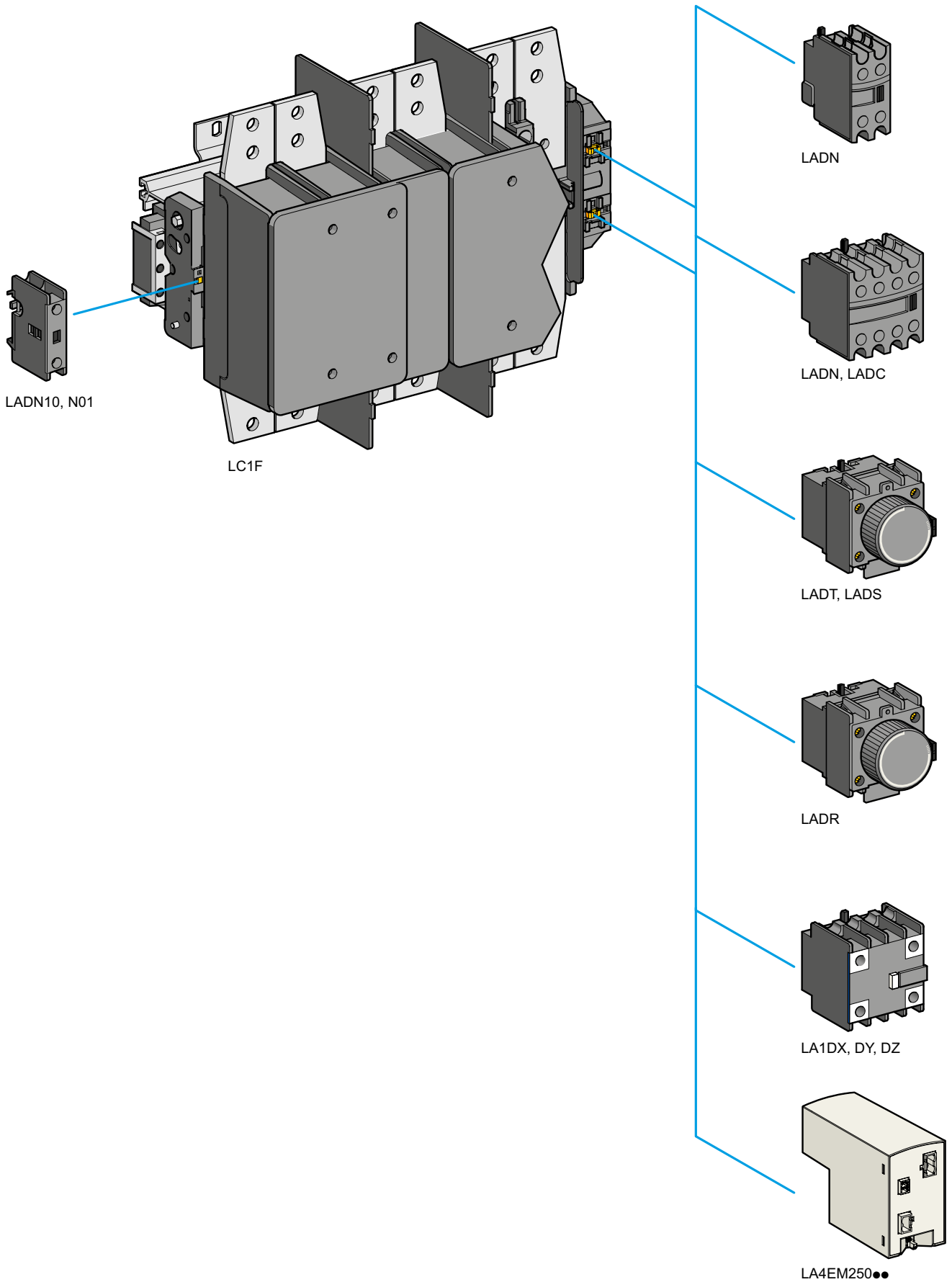
CR1F500

3-pole - Motors 150 to 630 A / 440 V / AC-3, loads 250 to 1000 A / 440 V AC-1 - a.c. or d.c. coils

Maximum thermal current in category AC-1 40 °C	Rated operational current in category AC-3 (440 V max)	Number of poles 	Instantaneous auxiliary contacts  		Basic reference, to be completed by adding the voltage code ⁽¹⁾	Weight
A	A					kg
250	150	3	–	–	CR1F150●●	3.500
275	185	3	–	–	CR1F185●●	4.600
350	265	3	–	–	CR1F265●●	7.400
500	400	3	–	–	CR1F400●●	9.100
700	500	3	–	–	CR1F500●●	11.300
1000	630	3	–	–	CR1F630●●	18.600

Note: accessories, replacement parts and spare coils, see pages B10/15 to B10/19.

(1) Standard control circuit voltages: see page B10/19. Please check the availability of your variant in the index page B10/20. The SEARCH function of your viewer can be used.



High power
contactors



Introduction:
p. B10/6

Schemes:
p. B10/31

Instantaneous auxiliary contact blocks

For use in normal operating environments

Number of contacts	Maximum number of blocks per contactor Clip-on mounting	Composition				Reference
1	1	-	-	1	-	LADN10
		-	-	-	1	LADN01
2	2	-	-	1	1	LADN11
		-	-	2	-	LADN20
		-	-	-	2	LADN02
4	2	-	-	2	2	LADN22
		-	-	1	3	LADN13
		-	-	4	-	LADN40
		-	-	-	4	LADN04
		-	-	3	1	LADN31
		-	-	2	2 ⁽¹⁾	LADC22

With terminal referencing conforming to EN 50012

2	2	-	-	1	1	LADN11P
		-	-	1	1	LADN11G
4	2	-	-	2	2	LADN22P
		-	-	2	2	LADN22G

Instantaneous auxiliary contact blocks for connection by lugs

This type of connection is not possible for blocks with 1 contact or blocks with dust and damp protected contacts. For all other instantaneous auxiliary contact blocks, add the figure 6 to the end of the references selected above. Example: LADN11 becomes LADN116.

Instantaneous auxiliary contact blocks with dust and damp protected contacts

Recommended for use in particularly harsh industrial environments

Number of contacts	Maximum number of blocks per contactor Clip-on mounting	Composition				Reference
2	2	2	-	-	-	LA1DX20
		2	2 ⁽²⁾	-	-	LA1DY20
4	2	2	-	2	-	LA1DZ40
		2	-	1	1	LA1DZ31

Time delay auxiliary contact blocks

Number of contacts	Maximum number of blocks per contactor Clip-on mounting	Time delay		Reference
		Type	Range s	
1 N/O + 1 N/C	2	On-delay	0.3...3 ⁽³⁾	LADT0
			1...30	LADT2
1 N/O + 1 N/C	2	On-delay	10...180	LADT4
			1...30 ⁽⁴⁾	LADS2
		Off-delay	0.3...3 ⁽³⁾	LADR0
			1...30	LADR2
		10...180	LADR4	

⁽¹⁾ Including 1 N/O + 1 N/C make before break.

⁽²⁾ Device fitted with 4 earth screen continuity terminals.

⁽³⁾ With extended scale from 0.1 to 6 s.

⁽⁴⁾ With switching time of 40 ms ± 15 ms between opening of the N/C contact and closing of the N/O contact.

PB11612.eps



LA9D09981

PB123967.tif



LA4F...

Suppressor blocks ⁽¹⁾

RC circuits (resistor-capacitor)

- Effective protection for circuits highly sensitive to "high frequency" interference. For use only in cases where the voltage is virtually sinusoidal, i.e. less than 5 % total harmonic distortion.
- Voltage limited to 3 U_c max. and oscillating frequency limited to 400 Hz max.
- Slight increase in drop-out time (1.1 to 1.3 times the normal time).

Mounting	U_c		Reference
Clip-on mounting on all ratings and all a.c. coils.	~	50...110 V	LA4FRCF
		127...240 V	LA4FRCP
Suppressor block bracket			LA9D09981

Varistors (peak limiting)

- Protection provided by limiting the transient voltage to 2 U_c max.
- Maximum reduction of transient voltage peaks.

Clip-on mounting on all ratings and all coils.	~ or ---	50...110 V	LA4FVF
		127...240 V	LA4FVP

Diodes

- No overvoltage or oscillating frequencies.
- Increase in drop-out time (3 to 4 times the normal time).
- Polarised component.

Clip-on mounting on all ratings and all d.c. coils.	---	55...110 V	LA4FDF
---	-----	------------	--------

Bidirectional peak limiting diodes (transil)

- Protection provided by limiting the transient voltage to between 2 and 2.5 times U_c max.
- Maximum reduction of transient voltage peaks.

Clip-on mounting on all ratings and all coils.	~ or ---	24...48 V	LA4FTE
--	----------	-----------	--------

⁽¹⁾ Order 2 x LA4F... for F1000, F1400, F1700, F2100, F2600 and F3200 contactors and connect one suppressor block across each coil.

TeSys Control

F High power contactors - Connection accessories

Product references



Dimensions:
p. B10/29

PB107579.eps



LA9F2100 (set of 6)

PB114813.eps



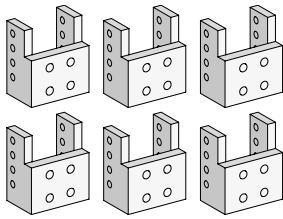
LA9F2600 (set of 6)

Right-angled connectors

For contactors or thermal overload relays

For use with Contactors	With connector plates		Set of 6 connectors	
	Width	Type	Set reference	Weight kg
LC1F1000, F1400, F1700, F2100	60 mm	Rear	LA9F2100	9.550
LC1F2600	100 mm	Rear	LA9F2600	4.380
LC1F3200	120 mm	Rear	LA9F3200	18.00

LA9F3200_1x6.eps



LA9F3200 (set of 6)

TeSys Control

F High power contactors - Accessories

Product references



Characteristics:
p. B10/27

Dimensions:
p. B10/29



PB121430.eps



LA9F801



LA4EM250FL_image.eps

LA4EM250FL

Phase separators

For use on 3-pole contactors	No. of barriers per set	Set reference
LC1F1400, F1700 F2100 and F2600	4	LA9F801
F3200	4	LA9F802

Electronic Control Module (ECM) ⁽¹⁾

For use on 3 and 4-pole contactors	With coil reference	ECM reference
LC1F1250	LXEFL250	LA4EM250FL
LC1F2600	LXEFL2502	LA4EM250FL2

⁽¹⁾ ECM enables wider coil operating voltage for the F range of contactors.

Note: Refer to page number B10/27 for detailed technical information.

PS 12/1426.eps



LXEFL250

Coils for a.c./ d.c. wide band control voltage

Operates on AC or DC voltage inputs.
 Low sealed consumption.
 High tolerance to inrush voltage drops.

Control circuit voltage Uc	Average resistance at 20 °C ±10 %		Voltage code	Reference
	Inrush	Sealed		
V	Ω	Ω		
For contactor LC1F1250				
100...250	4.78	4.78	KUE	LXEFL250

Specifications

Average consumption at 20 °C; 50 Hz/ 60 Hz; cos φ = 0.5-0.6:
 ■ inrush: 680 VA max
 ■ sealed: 10 VA max.
 Heat dissipation: 5.5 W max.
 Operating time at Uc: closing = 40...80 ms, opening = 6...54 ms.
 Operating cycles/hour (θ ≤ 55 °C): 1200.
 Embedded PLC input according IEC 61131-2 type 2:
 ■ Off state: 0...5 V DC
 ■ On state: 11...30 V DC.

Control circuit voltage Uc	Average resistance at 20 °C ±10 %		Voltage code	Reference
	Inrush	Sealed		
V	Ω	Ω		
For contactor LC1F2600				
100...250	2.27	2.27	KUE	LXEFL2502

Specifications

Average consumption at 20 °C; 50 Hz/ 60 Hz; cos φ = 0.5-0.6:
 ■ inrush: 2400 VA max
 ■ sealed: 24.5 VA max.
 Heat dissipation: 5.5 W max.
 Operating time at Uc: closing = 54...88 ms, opening = 20...28 ms.
 Operating cycles/hour (θ ≤ 55 °C): 600.
 Embedded PLC input according IEC 61131-2 type 2:
 ■ Off state: 0...5 V DC
 ■ On state: 11...30 V DC.

High power contactors

PE121424.eps



LX1FL●●●

Coils for a.c., 40...400 Hz control voltage

Low sealed consumption.

Operate on networks with harmonic numbers ≤ 7 .

Control circuit voltage Uc	Average resistance at 20 °C ± 10 %		Inductance of closed circuit	Voltage code	Reference	Weight
	Inrush	Sealed				
V	Ω	Ω	H			kg
For contactor LC1F1250						
110/120	13.5	126	0.77	F7	LX1FL110	1.500
115	13.5	126	0.77	FE7	LX1FL110	1.500
200/208	52.1	412	2.90	L7	LX1FL200	1.500
220	64.5	505	3.60	M7	LX1FL220	1.500
230	64.5	505	3.60	P7	LX1FL220	1.500
240	64.5	505	3.60	U7	LX1FL220	1.500
265/277	80.2	620	4.47	W7	LX1FL260	1.500
380	162	1282	8.8	Q7	LX1FL380	1.500
400	162	1282	8.8	V7	LX1FL380	1.500
415	203.8	1704	11.0	N7	LX1FL415	1.500
440	203.8	1704	11.0	R7	LX1FL415	1.500

Specifications

Average consumption at 20 °C for 50 or 60 Hz, $\cos \varphi = 0.9$:

■ inrush: 1500...1730 VA,

■ sealed: 20...25 VA.

Operating cycles/hour ($\theta \leq 55$ °C): 1200.

Heat dissipation: 20 W.

Operating time at U_c: closing = 40...80 ms, opening = 100...200 ms.

PB121421.eps



LX1FK●●●

Coils for a.c., 40...400 Hz control voltage

Low sealed consumption.

Operate on networks with harmonic numbers ≤ 7 .

Control circuit voltage Uc	Average resistance at 20 °C ± 10 %		Inductance of closed circuit H	Voltage code	Reference	Weight kg
	Inrush Ω	Sealed Ω				
For contactor LC1F1000						
110	4.718	98.4	0.63	F7	LX1FK055 ⁽¹⁾	1.150
For contactors LC1F1400, LC1F1700 and LC1F2100						
120	5.92	106	0.72	G7	LX1FK070 ⁽¹⁾	1.150
For contactors LC1F1000, LC1F1400, LC1F1700 and LC1F2100						
220	9.55	260	1.25	M7	LX1FK110 ⁽¹⁾	1.150
230	9.55	260	1.25	P7	LX1FK110 ⁽¹⁾	1.150
277	16.5	420	2.25	W7	LX1FK140 ⁽¹⁾	1.150
415	35.5	915	4.55	N7	LX1FK220 ⁽¹⁾	1.150
440	35.5	915	4.55	R7	LX1FK220 ⁽¹⁾	1.150
500	44.5	1160	5.75	S7	LX1FK240 ⁽¹⁾	1.150

Specifications

Average consumption at 20 °C for 50 or 60 Hz, $\cos \varphi = 0.9$:

■ inrush: 1600...2400 VA, sealed: 29...37 VA.

Operating cycles/hour ($\theta \leq 55$ °C): 600.

Heat dissipation: 2 x 18 W.

Operating time at U_c: closing = 40...75 ms, opening = 100...170 ms.

PB121421.eps



LX1FL●●●

Control circuit voltage Uc	Average resistance at 20 °C ± 10 %		Inductance of closed circuit H	Voltage code	Reference	Weight kg
	Inrush Ω	Sealed Ω				
For contactors LC1F2600						
110	13.5	126	0.77	F7	LX1FL065 ⁽¹⁾	1.150
120	13.5	126	0.77	G7	LX1FL065 ⁽¹⁾	1.150
220	64.5	505	3.60	M7	LX1FL110 ⁽¹⁾	1.150
230	64.5	505	3.60	P7	LX1FL110 ⁽¹⁾	1.150
380	162	1282	8.80	Q7	LX1FL200 ⁽¹⁾	1.150
400	162	1282	8.80	V7	LX1FL200 ⁽¹⁾	1.150
415	204	1704	11.0	N7	LX1FL220 ⁽¹⁾	1.150
440	204	1704	11.0	R7	LX1FL220 ⁽¹⁾	1.150
500	312.5	2512.5	17	S7	LX1FL260 ⁽¹⁾	1.150
For contactors LC1F3200						
230	64.5	505	3.60	P7	LX1FL110 ⁽¹⁾	1.150

Specifications

Average consumption at 20 °C for 50 or 60 Hz, $\cos \varphi = 0.9$:

■ inrush: 2200...2700 VA, sealed: 37.4...50.6 VA.

Operating cycles/hour ($\theta \leq 55$ °C): 600.

Heat dissipation: 2 x 25 W.

Operating time at U_c: closing = 40...80 ms, opening = 100...200 ms.

⁽¹⁾ Order 2 coils and connect them in series.

TeSys Control

F High power contactors - Coils

Product references

PB112328_40.eps



LX4FK●●●

LXE specifications

Average consumption:

- inrush 50/60 Hz: 280...730 VA rms
DC: 270...680 W,
- sealed: 50/60 Hz: 4.5...10 VA rms
DC: 2.5...5.5 W.

Heat Dissipation: 2.5...5.5 W

Operating cycles/hour ($\theta \leq 55^\circ\text{C}$): < 2400.

Operating time at U_c : closing = 40...80 ms,

opening = 6...54 ms.

Embedded PLC input according IEC 61131-2 type 2:

- Off state: 0...5 V DC
- On state: 11...30 V DC.

LX4FL specifications

Average consumption:

- inrush: 1420...1920 W,
- sealed: 6.5...12.5 W.

Operating cycles/hour ($\theta \leq 55^\circ\text{C}$): 1200.

Operating time at U_c : closing = 60...70 ms,

opening = 40...50 ms.

LX4FK specifications

with LC1F1000,1400,1700, 2100

Average consumption:

- inrush: 2000...2200 W,
- sealed: 8...10 W.

Operating cycles/hour ($\theta \leq 55^\circ\text{C}$): 600.

Operating time at U_c : closing = 50...60 ms,

opening = 45...60 ms.

LX4FL specifications with LC1F2600

Average consumption:

- inrush: 2130...2880 W
- sealed: 13...25 W.

Operating cycles/hour ($\theta \leq 55^\circ\text{C}$): 600.

Operating time at U_c : closing = 60...70 ms,

opening = 40...50 ms.

Coils for d.c. control voltage

Low sealed consumption.

Control circuit voltage U_c	Average resistance at $20^\circ\text{C} \pm 10\%$		Inductance of closed circuit	Voltage code	Reference	Weight
	Inrush	Sealed				
V	Ω	Ω	H			kg
For contactor LC1F1250 ⁽¹⁾						
100...250 ~	4.78	–	–	KUE	LXEFL250	1.100
100...380 ---						

For contactor LC1F1250

110	8.1	1680	180	FD	LX4FL110	1.450
220	31	5160	650	MD	LX4FL220	1.450

For contactors LC1F1000, LC1F1400, LC1F1700 and LC1F2100

125	3.73	916	122	GD	LX4FK065 ⁽²⁾	1.080
220	11.5	2450	280	MD	LX4FK110 ⁽²⁾	1.080
440	44	8150	1080	RD	LX4FK220 ⁽²⁾	1.080

For contactor LC1F2600

110	2.05	481	64	FD	LX4FL055 ⁽²⁾	1.080
125	2.53	603	80	GD	LX4FL065 ⁽²⁾	1.080
220	11.5	2450	280	MD	LX4FL110 ⁽²⁾	1.080
250	15	2930	400	UD	LX4FL125 ⁽²⁾	1.080
440	44	8150	1080	RD	LX4FL220 ⁽²⁾	1.080

⁽¹⁾ LXE coil to be used along with suitable Electronic Control Module (ECM) Ref. LA4EM●●●●●.

For details, please refer to page B10/9.

⁽²⁾ Order 2 coils and connect them in series.

TeSys Control

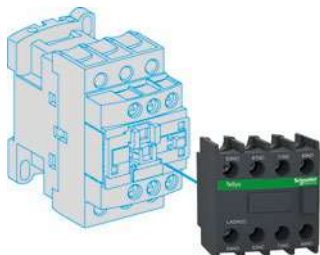
F Magnetic latching High power contactors - Accessories

Product references



Dimensions:
p. B10/42 to B10/45

PB1121055.eps



LADN●●

PB111617.eps



LA9F103

PB111592.eps



LA9F70●

Accessories for contactors CR1F

Description	Number of contacts or shrouds	For use on	Reference
Instantaneous auxiliary contacts	(1)	CR1F	LADN●●, LADX●●, LADY●●, LADZ●● (1)
Time delay auxiliary contacts	(1)	CR1F	LADT●, LADS●, LADR● (1)
Contact blocks with protected terminals for 3-pole contactors (for mounting on contactors with closed arc chamber)	Set of 2 blocks	CR1F150 and CR1F185	LA9F103
Power terminal protection shrouds	Set of 6 shrouds for 3-pole contactors	CR1F150 and CR1F185	LA9F702
		CR1F265 to CR1F500	LA9F703
		CR1F630	LA9F704

Description	Application	Reference
Mechanical interlock and power connections	For assembly of reversing contactors and changeover contactor pairs	See pages B10/16 and B10/17

(1) For maximum number per contactor and complete reference, see page B10/7.

TeSys Control

F Magnetic latching High power contactors - Assembling components

Product references

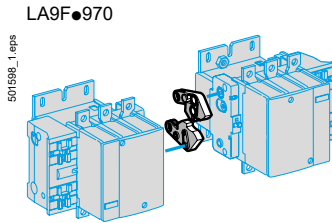
Reversing and changeover assemblies with CR1F magnetic latching contactors

Horizontally mounted

Mechanical interlocks

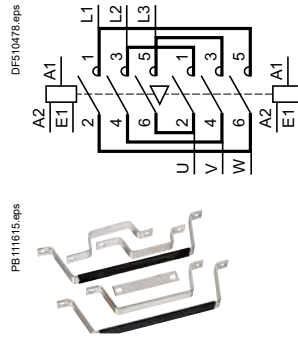
Reversers assembled using 2 contactors of identical rating, type:

- CR1F150
- CR1F185
- CR1F265
- CR1F400
- CR1F500
- CR1F630

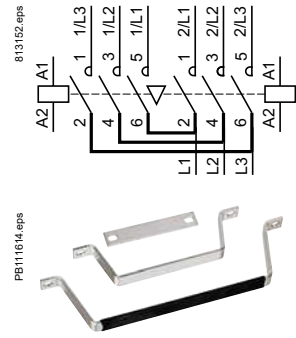


Sets of power connections

Reversing contactors LA9F●976



3-pole changeover contactor pairs LA9F●982

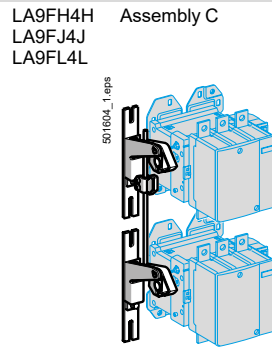
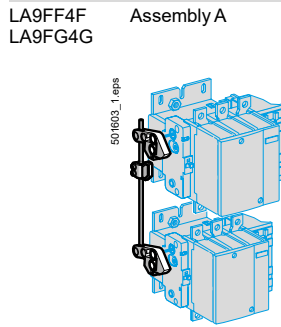


Vertically mounted

Mechanical interlocks

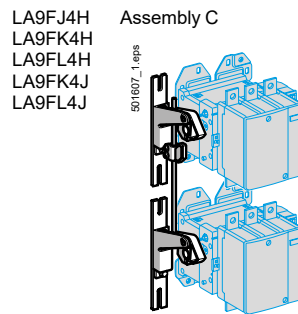
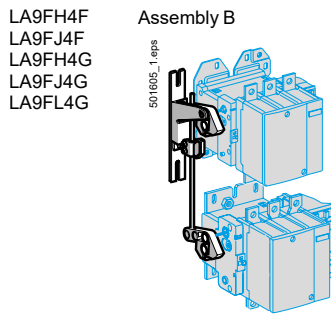
Reversers assembled using 2 contactors of identical rating, type:

- CR1F150
- CR1F185
- CR1F265
- CR1F400
- CR1F500
- CR1F630

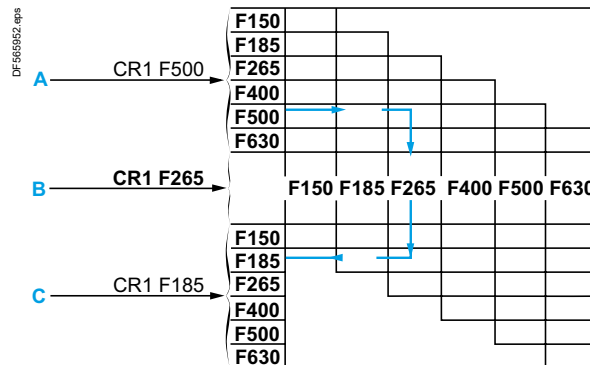
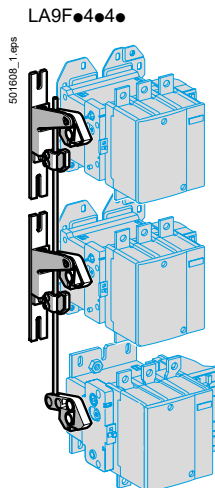


Reversers assembled using 2 contactors of different ratings, type:

- CR1F150
- CR1F185
- CR1F265
- CR1F400
- CR1F500
- CR1F630



Reversers assembled using 3 contactors of identical or different ratings



Warning: the contactor ratings must be in decreasing size from top to bottom.

High power contactors



Illustrations:
p. B10/16

Dimensions:
p. B10/42 to B10/45

Reversing and changeover assemblies with CR1F magnetic latching contactors.

Reversers assembled using 2 contactors of identical rating

Contactor type	Set of power connections		Mechanical interlock	
	3-pole Reference	Weight kg	Kit reference	Weight kg
For assembly of 3-pole reversing contactors for motor control ⁽¹⁾				
Horizontally mounted				
CR1F150	LA9FF976	0.600	LA9FF970	0.060
CR1F185	LA9FG976	0.780	LA9FG970	0.060
CR1F265	LA9FH976	1.500	LA9FJ970	0.140
CR1F400	LA9FJ976	2.100	LA9FJ970	0.140
CR1F500	LA9FK976	2.350	LA9FJ970	0.140
CR1F630	LA9FL976	3.800	LA9FL970	0.150
Vertically mounted				
CR1F150	⁽²⁾	–	LA9FF4F	0.345
CR1F185	⁽²⁾	–	LA9FG4G	0.350
CR1F265	⁽²⁾	–	LA9FH4H	1.060
CR1F400	⁽²⁾	–	LA9FJ4J	1.200
CR1F630	⁽²⁾	–	LA9FL4L	1.220

Reversers assembled using 2 contactors of different ratings

Contactor type		Mechanical interlock	
At bottom	At top	Kit reference	Weight kg
For assembly of 3-pole changeover contactor pairs			
Vertically mounted ⁽²⁾			
CR1F150	CR1F265	LA9FH4F	0.870
	CR1F400	LA9FJ4F	0.930
CR1F185	CR1F265	LA9FH4G	0.860
	CR1F400	LA9FJ4G	0.940
	CR1F630	LA9FL4G	0.950
CR1F265	CR1F400	LA9FJ4H	1.130
	CR1F500	LA9FK4H	1.130
	CR1F630	LA9FL4H	1.140
CR1F400	CR1F500	LA9FK4J	1.200
	CR1F630	LA9FL4J	1.210

For assembly of 3-pole reversing contactors ⁽³⁾

Using 3 contactors (vertically mounted) of identical or different ratings	Mechanical interlock Kit reference ⁽⁴⁾
The contactor ratings must be in decreasing size from top to bottom.	LA9F●4●4●

Contactors	CR1F150	CR1F185	CR1F265	CR1F400	CR1F500	CR1F630
Code	F	G	H	J	K	L

Example: mechanical interlock for reversing contactor made up of 3 different contactors: CR1F500 top, CR1F265 middle and CR1F185 bottom: **LA9FK4H4G**.

- (1) A 3-pole reversing contactor for motor control can be converted into a 3-pole changeover contactor pair by removing the upper connecting links.
- (2) All power connections are to be made by the customer.
- (3) Closing of one of the 3 contactors prevents closing of the other 2 contactors.
- (4) Complete the reference by replacing the first dot with the code for the upper contactor, the second dot with the code for the middle contactor and the third dot with the code for the bottom contactor.



TeSys Control

F Magnetic latching High power contactors - Spare parts

Product references

PB121414.eps



LA5FG431

References

Description	For contactor		Reference	Weight kg
Complete sets of contacts for 3 ⁽¹⁾	3-pole	CR1F150	LA5FF431	0.270
		CR1F185	LA5FG431	0.350
		CR1F265	LA5FH431	0.660
		CR1F400	LA5F400803	0.660
		CR1F500	LA5F500803	0.660
		CR1F630	LA5F630803	0.660

⁽¹⁾ Set containing the following (per pole): 2 fixed contacts, 1 moving contact, 2 deflectors, 1 back-plate, clamping screws and washers.

TeSys Control

F Magnetic latching High power contactors - Coils

Product references

PB12/14/13.eps



LX0FH007

PB12/14/12.eps



LX0FK007

Standard coils for a.c. or d.c. control voltage						
Usual voltages		Resistance of winding at $\theta = 20\text{ }^{\circ}\text{C}$		Reference	Voltage code	Weight kg
50...400 Hz or ---	50 Hz, 60 Hz	Latching	Unlatching			
V	V	Ω	Ω			
For contactors CR1F150						
48	–	1.98	230.8	LX0FF005	E7	0.440
127	–	11.61	1788	LX0FF007	G7	0.440
–	415	139.50	16 717	LX0FF011	N7	0.440
For contactors CR1F185						
48	–	1.42	220	LX0FG005	E7	0.560
208	–	21.30	3169	LX0FG020	L7	0.560
–	415	102.30	14 305	LX0FG011	N7	0.560
For contactors CR1F265						
48	–	1.34	183.4	LX0FH005	E7	0.780
127	–	8.56	1325	LX0FH007	G7	0.780
208	–	20.20	2654	LX0FH020	L7	0.780
–	380/400	78.39	11 803	LX0FH010	Q7	0.780
–	415	102.9	15 006	LX0FH011	N7	0.780
For contactors CR1F400						
208	–	24.40	2643	LX0FJ020	L7	1.120
–	380/400	94.80	9380	LX0FJ010	Q7	1.120
–	415	121.10	11 763	LX0FJ011	N7	1.120
For contactors CR1F500						
48	–	1.57	166	LX0FK005	E7	1.220
127	–	9.56	1159	LX0FK007	G7	1.220
208	–	23.60	2981	LX0FK020	L7	1.220
–	415	112.06	13 256	LX0FK011	N7	1.220
For contactors CR1F630						
48	–	0.87	204	LX0FL005	E7	1.460
127	–	6.45	1830	LX0FL007	G7	1.460
208	–	20.20	2961	LX0FL020	L7	1.460
–	415	77.97	13 003	LX0FL011	N7	1.460

High power
contactors

TeSys Control

F High power contactors

Product references

CR1F150F7	DZ2FF1	LA4FVF	LA9FK976	LC1F2600MD
CR1F150M7	DZ2FF6	LA4FVP	LA9FL4J	LC1F2600P7
CR1F150U7	DZ2FG1	LA9F103	LA9FL4L	LC1F3200P7
CR1F185F7	DZ2FG6	LA9F2100	LA9FL970	LX1FK055
CR1F185G7	DZ2FH1	LA9F2600	LC1F1250	LX1FK070
CR1F185M7	DZ2FH6	LA9F3200	LC1F1250F7	LX1FK110
CR1F185Q7	DZ2FJ1	LA9F702	LC1F1250KUE	LX1FK127
CR1F265F7	DZ2FJ6	LA9F703	LC1F1250M7	LX1FK200
CR1F265G7	DZ2FK1	LA9F704	LC1F1250MD	LX1FK220
CR1F265M7	DZ2FK6	LA9F801	LC1F1250P7	LX1FK240
CR1F265U7	DZ2FL1	LA9F802	LC1F1400	LX1FL110
CR1F400F7	DZ2FL2	LA9F980	LC1F1400P7	LX1FL200
CR1F400FZ7	DZ2FL3	LA9FF4F	LC1F1700	LX1FL220
CR1F400M7	DZ2FL6	LA9FF970	LC1F1700F7	LX1FL260
CR1F400Q7	DZ2FR1	LA9FG610	LC1F1700M7	LX1FL380
CR1F500F7	DZ2FX1	LA9FG970	LC1F1700MD	LX1FL415
CR1F500M7	DZ2FX6	LA9FG976	LC1F1700P7	LXEFG250
CR1F630F7	LA4EM250FL	LA9FH976	LC1F2100	LXEFG250
CR1F630M7	LA4EM250FL2	LA9FJ4G	LC1F2100LD	LXEFL250
CR1F630MZ7	LA4FDF	LA9FJ970	LC1F2100M7	LXEFL2502
DR5TE4S	LA4FRCP	LA9FJ976	LC1F2100P7	
DR5TE4U	LA4FRCP	LA9FJ982	LC1F2600	
DR5TF4V	LA4FTE	LA9FK4H	LC1F2600KUE	

Technical Data for Designers

Contents

F contactors:

- > characteristics B10/22 to B10/27
- > dimensions B10/28 to B10/29
- > schemes B10/30 to B10/31

CR1F magnetic latching contactors:

- > characteristics B10/32 to B10/41
- > dimensions B10/42 to B10/45

TeSys Control

F High power contactors

Characteristics

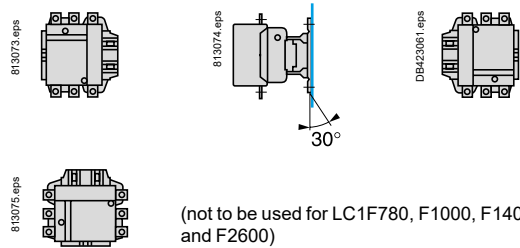
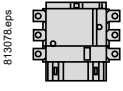


References:
p. B10/2 to B10/3

Dimensions:
p. B10/28 to B10/29

Schemes:
p. B10/30 to B10/31

Environment

Contactor type		LC1F1000	
Rated insulation voltage (Ui)	Conforming to IEC 60947-4-1. Overvoltage category III, degree of pollution: 3	V	1000
Rated impulse withstand voltage (Uimp)	Coil not connected to the power circuit	kV	8
Conforming to standards			IEC 60947-4-1, GB/T14048.4, UL 60947-4-1, CAN/CSA-C22.2 No. 60947-4-1, JIS C 8201-4-1
Product certifications			CB scheme, UL, CSA, CQC, CE marking, UKCA marking, CCC mark
Degree of protection	Conforming to IEC 60529		–
Ambient air temperature around the device	Storage	°C	-60...+80
	Operation	°C	-5...+40
	Permissible at Uc	°C	-40...+60
Maximum operating altitude	Without derating	m	3000
Operating positions	Without derating		 <p>(not to be used for LC1F780, F1000, F1400, F1700, F2100 and F2600)</p>
	With derating		Not to be used
	Not to be used		
Shock resistance ⁽¹⁾ 1/2 sine wave = 11 ms Conforming to IEC/EN 60068-2-27	Contactor open		6 gn
	Contactor closed ⁽²⁾		15 gn
Vibration resistance ⁽¹⁾ 5...300 Hz Conforming to IEC/EN 60068-2-6	Contactor open		2 gn
	Contactor closed		4 gn

⁽¹⁾ In the least favourable direction, without change of contact state (coil at Uc). Where higher resistance to mechanical shock is required, select shock-proof contactors. Please consult your Regional Sales Office.

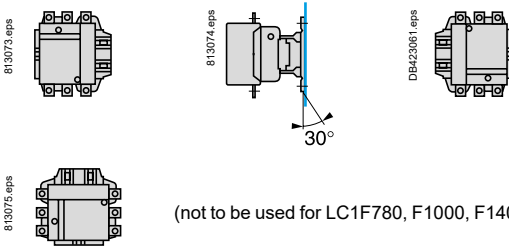
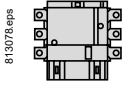
⁽²⁾ 12 gn for LC1F1000 & LC1F1250 contactors when used with Electronic control module (LA4EM) & LXE coils.

High power contactors

TeSys Control

F High power contactors

Characteristics

LC1F1250	LC1F1400	LC1F1700	LC1F2100	LC1F2600	LC1F3200
1000	1000	1000	1000	1000	1000
8	8	8	8	8	8
IEC 60947-4-1, GB/T14048.4, UL 60947-4-1, CAN/CSA-C22.2 No. 60947-4-1, JIS C 8201-4-1					IEC 60947-4-1, GB/T14048.4
CB scheme, UL, CSA, CQC, CE marking, UKCA marking, CCC mark					CB scheme, CQC, CE marking, CCC mark
-					
-60...+80					
-5...+40					
-40...+60					
3000					
 <p>(not to be used for LC1F780, F1000, F1400, F1700, F2100 and F2600)</p>					
Not to be used					
					
6 gn	6 gn	6 gn	6 gn	6 gn	6 gn
15 gn	15 gn	15 gn	15 gn	15 gn	15 gn
2 gn	2 gn	2 gn	2 gn	2 gn	2 gn
4 gn	4 gn	4 gn	4 gn	4 gn	4 gn

High power contactors

TeSys Control

F High power contactors

Characteristics



References:
p. B10/2 to B10/3

Dimensions:
p. B10/28 to B10/29

Schemes:
p. B10/30 to B10/31

Pole characteristics

Contactor type			LC1F1000	LC1F1250	LC1F1400	LC1F1700	LC1F2100	LC1F2600	LC1F3200
Number of poles			3	3	3	3	3	3	3
Rated operational current (I _e)	U _e ≤ 440 V In AC-3, θ ≤ 55 °C	A	1000	-	-	-	-	-	-
	U _e ≤ 1000 V In AC-1, θ ≤ 40 °C	A	1250	1260	1400	1700	2100 ⁽²⁾	2600 ⁽⁴⁾	3200
Rated operational voltage (U _e)	Up to	V	440	690	1000	1000	1000 ⁽⁵⁾	1000	1000
Frequency limits	Of the operational current ⁽¹⁾	Hz	16 ^{2/3} ...200	16 ^{2/3} ...200	16 ^{2/3} ...200	16 ^{2/3} ...200	16 ^{2/3} ...200	16 ^{2/3} ...200	16 ^{2/3} ...200
Conventional thermal current	θ ≤ 40 °C	A	1250	1260	1400	1700	2100 ⁽²⁾	2600 ⁽⁴⁾	3200 ⁽⁶⁾
Rated making capacity	I rms conforming to IEC 60947-4-1	A	Making current: 10 x I in AC-3	Making current: 1.5 x I in AC-1					
Rated breaking capacity	I rms conforming to IEC 60947-4-1	A	Making and breaking current: 8 x I in AC-3	Making and breaking current: 1.5 x I in AC-1					
Maximum permissible current No current flowing for previous 60 minutes, at θ ≤ 40 °C	For 10 s	A	10000	8000	8000	10000	10000	12000	12000
	For 30 s	A	7500	5200	6000	7500	7500	9000	9000
	For 1 min	A	5500	4000	4500	5500	5500	7000	7000
	For 3 min	A	4200	3000	4000	4200	4200	6000	6000
	For 10 min	A	3000	2000	2600	3000	3000	4000	4000
Short-circuit protection by fuses U ≤ 440 V	Motor circuit (type aM)	A	1000	-	-	-	-	-	-
	With thermal overload relay (type gG)	A	1000	-	-	-	-	-	-
	gG fuses	A	1400	1400	2 x 800 ⁽³⁾	2 x 800 ⁽³⁾	2 x 1000 ⁽³⁾	2 x 1250 ⁽³⁾	2 x 1700 ⁽³⁾
Average impedance per pole	At I _{th} and 50 Hz	mΩ	0.12	0.12	0.10	0.10	0.10	0.10	0.10
Power dissipation per pole for the above operational currents	AC-3	W	100	-	-	-	-	-	-
	AC-1	W	120	120	150	200	200	250	250
Connection									
Bar	Number of bars		3	2	2	3	4	3	3
	Bar	mm	100 x 5	100 x 5	100 x 5	100 x 5	100 x 5	100 x 10	100 x 10
Cable with lug		mm²	-	-	-	-	-	-	-
Cable with connector		mm²	-	-	-	-	-	-	-
Bolt diameter		mm	4 x Ø12 (Ø11.5 with set of right-angled connectors LA9F2100)	3 x Ø12	4 x Ø12 (Ø11.5 with set of right-angled connectors LA9F2100)			4 x Ø12 (Ø11.5 with set of right-angled connectors LA9F2600)	4 x Ø12 (Ø11.5 with set of right-angled connectors LA9F3200)
Tightening torque	Power circuit connections	N.m	58 (35 with set of right-angled connectors LA9F2100)	58	58 (35 with set of right-angled connectors LA9F2100)			58 (35 with set of right-angled connectors LA9F2600)	58 (35 with set of right-angled connectors LA9F3200)

(1) Sine wave without interference. Above these values, contactors can be used only for AC-1 application.

(2) With set of right-angled connectors LA9F2100 (see page B10/9).

(3) Paralleling of poles must be carried out only in accordance with the fuse manufacturer's recommendations.

(4) θ ≤ 60 °C with set of right-angled connectors LA9F2600 (see page B10/9).

(5) U_e = 1000 V, with set of right angled connectors LA9F2100 (see page B10/9).

(6) With set of right angled connectors LA9F3200 (see page B10/9).

TeSys Control

F High power contactors

Characteristics



References:
p. B10/2 to B10/3

Dimensions:
p. B10/28 to B10/29

Schemes:
p. B10/30 to B10/31

a.c. control circuit characteristics with LX1 coil

Contactor type			LC1F1000 ⁽¹⁾	LC1F1250	LC1F1400 ⁽¹⁾	LC1F1700	LC1F2100 ⁽¹⁾	LC1F2600 ⁽¹⁾	LC1F3200 ⁽¹⁾
Rated control circuit voltage (Uc)	V		110...500	110...600	110...500	110...500	110...500	110...500	220...230
Control voltage limits ($\theta \leq 55^\circ\text{C}$)	40...400 Hz coils	Operation	0.85...1.1 Uc	0.85...1.1 Uc	0.85...1.1 Uc	0.85...1.1 Uc	0.85...1.1 Uc	0.85...1.1 Uc	0.85...1.1 Uc
		Drop-out	0.3...0.5 Uc	0.25...0.5 Uc	0.3...0.5 Uc	0.3...0.5 Uc	0.3...0.5 Uc	0.3...0.5 Uc	0.2...0.6 Uc
Average consumption at 20 °C and at Uc	Inrush	40...400 Hz coil	VA 1600...2400	400...1730	1600...2400	1600...2400	1600...2400	800...2800	800...2800
		Cos φ		0.9	0.9	0.9	0.9	0.9	0.9
	Sealed	40...400 Hz coil	VA 29...37	20...80	29...37	29...37	29...37	37.4...150	37.4...150
		Cos φ		0.9	0.9	0.9	0.9	0.9	0.9
Heat dissipation	W		2 x 18	20	2 x 18	2 x 18	2 x 18	2 x 25	2 x 25
Operating time ⁽²⁾	Closing "C"	ms	40...75	40...80	40...75	40...75	40...75	40...80	40...80
	Opening "O"	ms	100...170	20...200	100...170	100...170	100...170	20...200	20...200
Mechanical durability at Uc	In millions of operating cycles		0.5	1	0.5	0.5	0.5	0.5	0.5
Maximum operating rate at ambient temperature $\leq 55^\circ\text{C}$	In operating cycles per hour		600	1200	600	600	600	600	600
Connection			Min/max c.s.a.						
Flexible cable without cable end	1 or 2 conductors	mm²	1/4	1/4	1/4	1/4	1/4	1/4	1/4
		mm²	1/4	1/4	1/4	1/4	1/4	1/4	1/4
Flexible cable with cable end	2 conductors	mm²	1/2.5	1/2.5	1/2.5	1/2.5	1/2.5	1/2.5	1/2.5
		mm²	1/4	1/4	1/4	1/4	1/4	1/4	1/4
Solid cable without cable end	1 or 2 conductors	mm²	1/4	1/4	1/4	1/4	1/4	1/4	1/4
Tightening torque	N.m		1.2	1.2	1.2	1.2	1.2	1.2	1.2
Mechanical latching	Mechanical latch blocks LA6DK must not be fitted on LC1F contactors. For similar type of operation, use magnetic latching contactors CR1F. See pages B10/15 to B10/19.								

⁽¹⁾ Equipped with 2 coils.

⁽²⁾ The closing time "C" is measured from the moment the coil supply is switched on to initial contact of the main poles. The opening time "O" is measured from the moment the coil supply is switched off to the moment the main poles separate.

TeSys Control

F High power contactors

Characteristics



References:
p. B10/2 to B10/3

Dimensions:
p. B10/28 to B10/29

Schemes:
p. B10/30 to B10/31

d.c. control circuit characteristics with LX4 coil

Contactor type			LC1F1000	LC1F1250	LC1F1400	LC1F1700	LC1F2100	LC1F2600
Rated control circuit voltage (Uc) $\overline{---}$		V	110...440	48...250	110...440	110...440	110...440	110...440
Control voltage limits ($\theta \leq 55^\circ\text{C}$)	Operation		0.85...1.1 Uc	0.85...1.1 Uc	0.85...1.1 Uc	0.85...1.1 Uc	0.85...1.1 Uc	0.85...1.1 Uc
	Drop-out		0.2...0.35 Uc	0.2...0.35 Uc	0.2...0.35 Uc	0.2...0.35 Uc	0.2...0.35 Uc	0.2...0.35 Uc
Average consumption at 20 °C and at Uc $\overline{---}$	Inrush	W	2000... 2200	1420... 1920	2000... 2200	2000... 2200	2000... 2200	2130... 2880
	Sealed	W	8...10	6.5...12.5	8...10	8...10	8...10	13...25
Average operating time at Uc ⁽¹⁾	Closing "C"	ms	50...60	60...70	50...60	50...60	50...60	60...70
	Opening "O"	ms	45...60	40...50	45...60	45...60	45...60	40...50
			<i>Note: the arcing time depends on the circuit switched by the poles. For all normal 3-phase applications, the arcing time is less than 10 ms. The load is isolated from the supply after a time equal to the sum of the opening time and the arcing time.</i>					
Mechanical durability at Uc	In millions of operating cycles		0.5	1	0.5	0.5	0.5	0.5
Maximum operating rate at ambient temperature $\leq 55^\circ\text{C}$	In operating cycles per hour		600	1200	600	600	600	600
Cabling			Min/max c.s.a.					
Flexible cable without cable end	1 conductor	mm²	1/4	1/4	1/4	1/4	1/4	1/4
	2 conductors	mm²	1/4	1/4	1/4	1/4	1/4	1/4
Flexible cable with cable end	1 conductor	mm²	1/4	1/4	1/4	1/4	1/4	1/4
	2 conductors	mm²	1/2.5	1/2.5	1/2.5	1/2.5	1/2.5	1/2.5
Solid cable without cable end	1 conductor	mm²	1/4	1/4	1/4	1/4	1/4	1/4
	2 conductors	mm²	1/4	1/4	1/4	1/4	1/4	1/4
Tightening torque		N.m	1.2	1.2	1.2	1.2	1.2	1.2
Mechanical latching	Mechanical latch blocks LA6DK must not be fitted on LC1F contactors. For similar type of operation, use magnetic latching contactors CR1F. See pages B10/15 to B10/19.							

⁽¹⁾ The operating times depend on the type of contactor electromagnet and its control mode.
The closing time "C" is measured from the moment the coil supply is switched on to initial contact of the main poles. The opening time "O" is measured from the moment the coil supply is switched off to the moment the main poles separate.

TeSys Control

F High power contactors

Characteristics



References:
p. B10/2 to B10/3

Dimensions:
p. B10/28 to B10/29

Schemes:
p. B10/30 to B10/31

a.c. or d.c. control circuit characteristics with LXE coil ⁽¹⁾					
Contactor type			LC1F1250 ⁽³⁾	LC1F2600 ⁽⁴⁾	
ECM ⁽²⁾ reference			LA4EM250FL	LA4EM250FL2	
Coil reference			LXEFL250	LXEFL2502	
Rated control circuit voltage (Uc)	50/60 Hz	V	100...250		
	≡	V	100...380	100...250	
Control voltage limits (< 55 °C) 50/60 Hz	Operation	V	85...275		
		V	< 60	< 65	
	Drop-out	V	< 60	< 65	
		V	< 60	< 65	
≡	Operation	V	85...418	85...275	
		V	< 45	< 51	
	Drop-out	V	< 45	< 51	
		V	< 45	< 51	
Average consumption at 20 °C and at Uc	Inrush	50/60 Hz	VA rms	460...730	1100...2300
					0.5...0.6
	≡		W	500...680	1300...2400
			VA	7...10	21.1...24.5
	Sealed	50/60 Hz	VA	7...10	21.1...24.5
					0.5...0.6
				4.0...5.5	14...18
Embedded PLC ⁽⁶⁾ input according IEC 61131-2 type 2	Off state	V DC	0...5		
	On state		11...30		
Heat dissipation		W	2.2...5.5	16...20	
Operating time	Closing "C"	ms	40...80	54...88	
	Opening "O"	ms	6...54	20...28	
Mechanical durability at Uc	In millions of operating cycles		1	0.5	
Maximum operating rate at ambient temperature ≤ 55 °C	In operating cycles per hour		1200	600	
Connection ⁽⁶⁾	Flexible cable without cable end	1 conductor		0.2/2.5	
	Flexible cable with cable end	1 conductor		0.25/2.5	
	Solid cable without cable end	1 conductor		0.2/2.5	
Tightening torque		N.m	0.6		

(1) LXE coil shall be always used along with Electronic Control Module (ECM) LA4EM250●●.

(2) Electronic Control Module enables wider coil operating voltage for the F range of contactors. ECM LA4EM250●● shall be always used along with suitable type of LXE●●250 coils.

(3) LC1F1250KUE is supplied with LA4EM250FL & LXEFL250.

(4) LC1F2600KUE is supplied with LA4EM250FL2 & LXEFL2502.

(5) PLC control connectors shall be provided by customer (Type MC 1.5/2-ST-3.81).

(6) Connection input is made to Electronic Control Module (ECM).

TeSys Control

F High power contactors

Dimensions

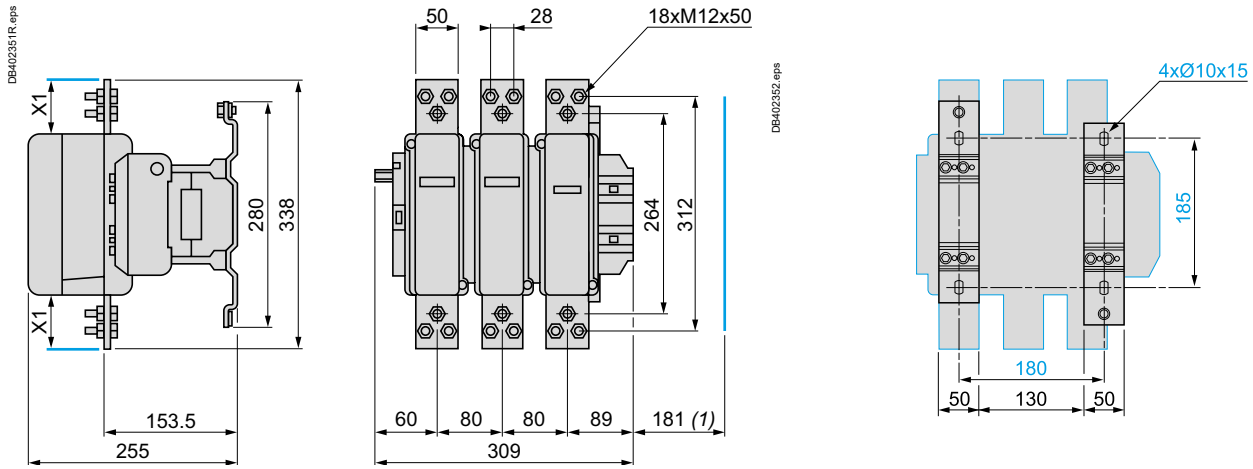


References:
p. B10/2 to B10/3

Characteristics:
p. B10/22 to B10/27

Schemes:
p. B10/31

LC1F1250

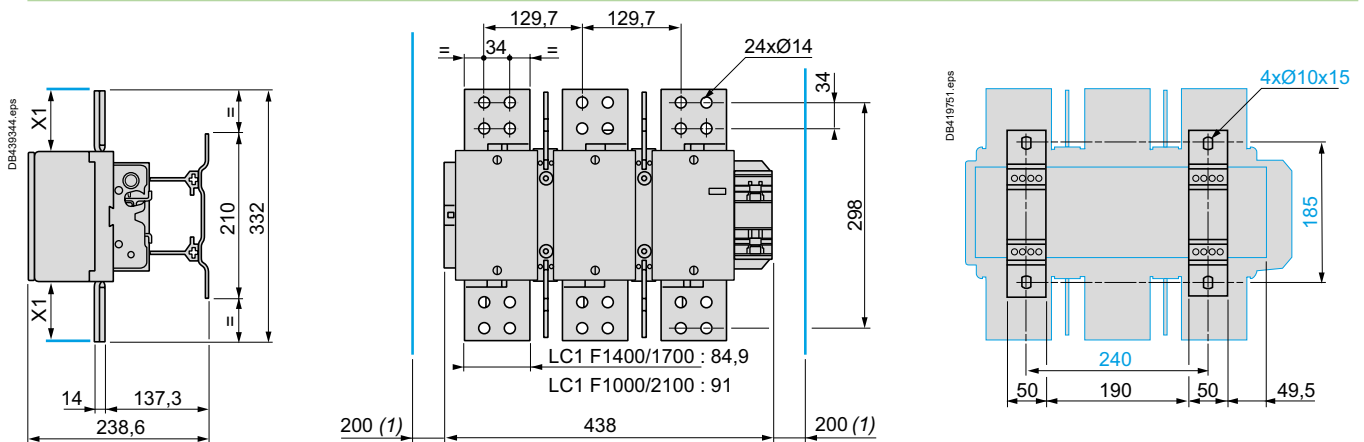


(1) Minimum distance required for coil removal.

X1 (mm) = Minimum electrical clearance according to operating voltage and breaking capacity.

Voltage	200...500 V	690...1000 V
X1 (mm)	20	30

LC1F1000, LC1F1400, LC1F1700 and LC1F2100

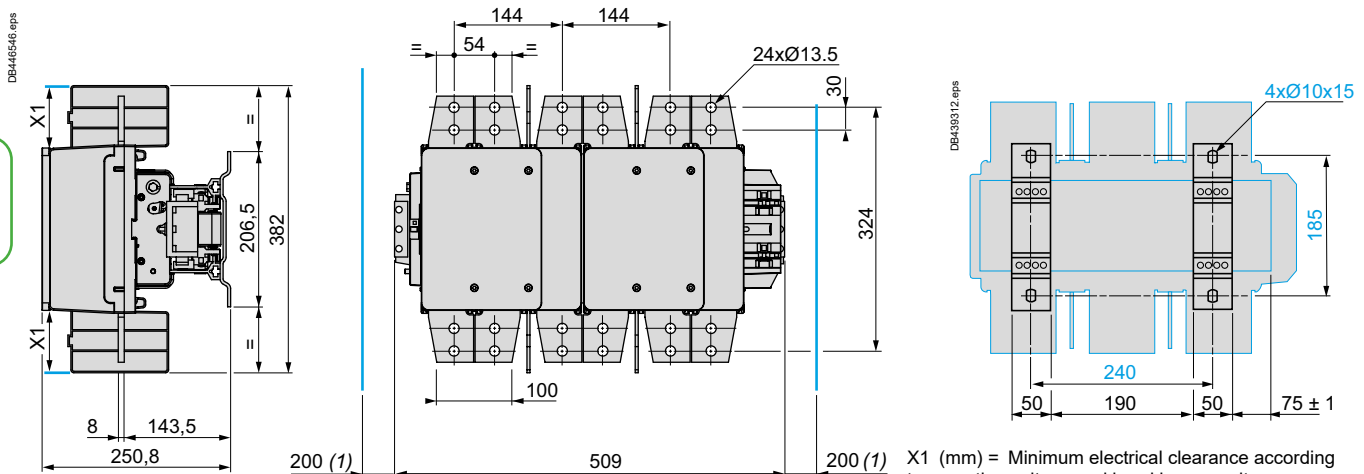


(1) Minimum distance required for coil removal.

X1 (mm) = Minimum electrical clearance according to operating voltage and breaking capacity.

Voltage	200...500 V	690...1000 V
X1 (mm)	90	100

LC1F2600



(1) Minimum distance required for coil removal.

X1 (mm) = Minimum electrical clearance according to operating voltage and breaking capacity.

Voltage	200...500 V	690...1000 V
X1 (mm)	90	100

High power contactors

TeSys Control

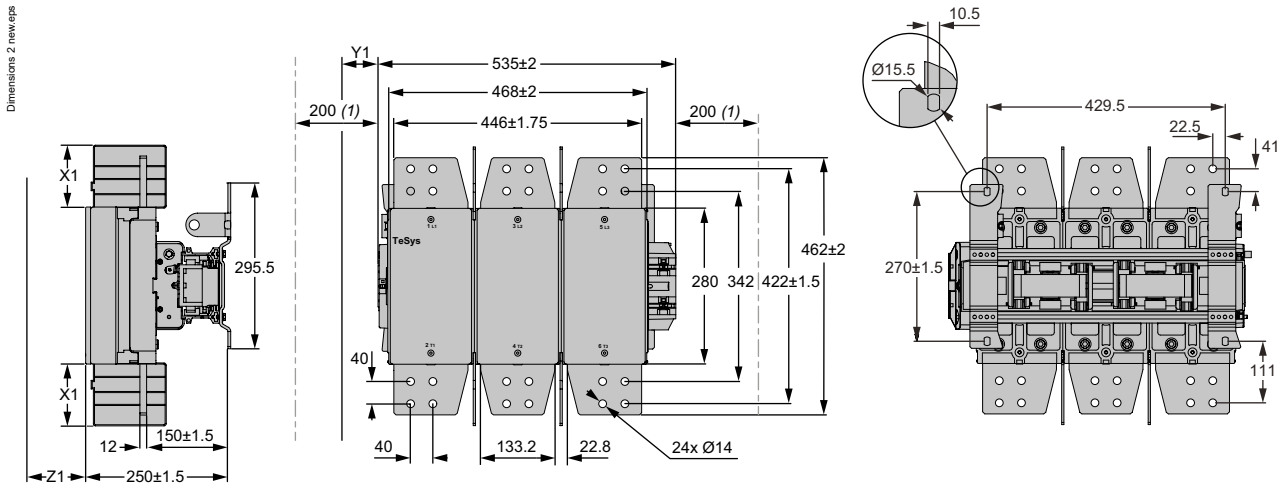
F High power contactors - Accessories

Dimensions



References:
p. B10/9 to B10/10

LC1F3200

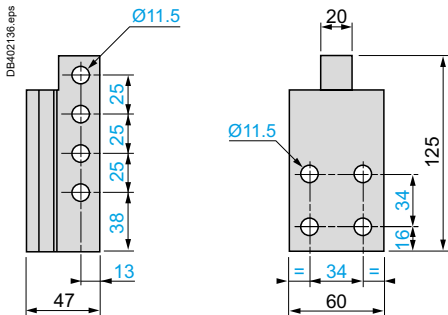


(f) Minimum distance required for coil removal.

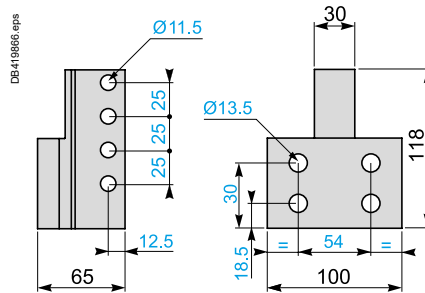
X1, Y1, Z1 (mm) = Minimum electrical clearance according to operating voltage and breaking capacity.

Voltage	200...500 V	690...1140 V
X1 (mm)	90	110
Y1 (mm)	90	100
Z1 (mm)	90	100

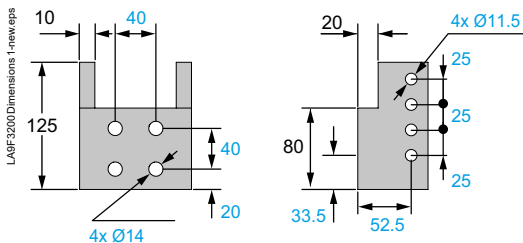
Right-angled connectors LA9F2100 (set of 6) for rear connection



Right-angled connectors LA9F2600 (set of 6) for rear connection

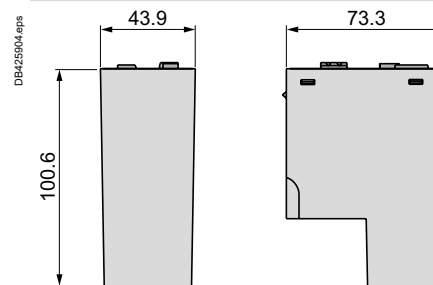


Right-angled connectors LA9F3200 (set of 6) for rear connection



Electronic Control Module for LXE●●250 coils / LXE●●2502 coils

LA4EM250●● / LA4EM250●●2



TeSys Control

F High power contactors

Schemes



References:
p. B10/2 to B10/3

Characteristics:
p. B10/22 to B10/27

Dimensions:
p. B10/28 to B10/29

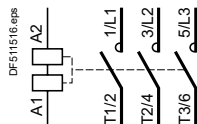
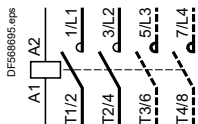
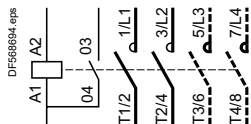
Contactors

3 and 4-pole contactors

LC1F1250 (coil LX1F ~)

LC1F1250 (coil LX4F ≡)

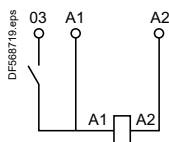
LC1F1000
LC1F1400 ~ or ≡, LC1F1700 ~ or ≡
LC1F2100 ~ or ≡, LC1F2600 ~ or ≡
LC1F3200 ~



Coils

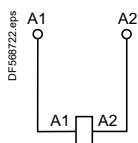
Standard ~ coils

LX1FK●●●/ LX1FL●●●



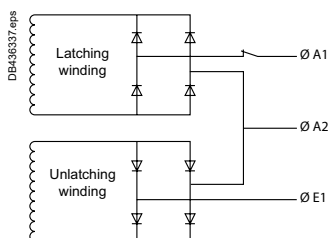
Standard ≡ coils

LX4FK, FL

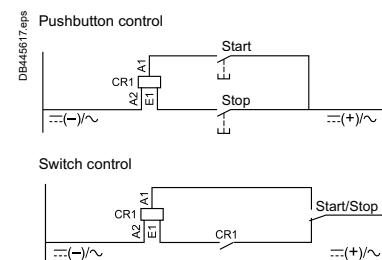


Specific wiring diagrams for CR1F contactors

Internal latching/unlatching diagram

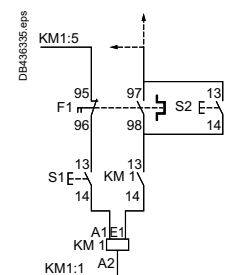
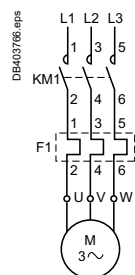


Control diagrams



Warning: terminal A2 is common to both windings in all cases.

Contactors CR1F with thermal overload relay



High power contactors

TeSys Control

F High power contactors

Schemes

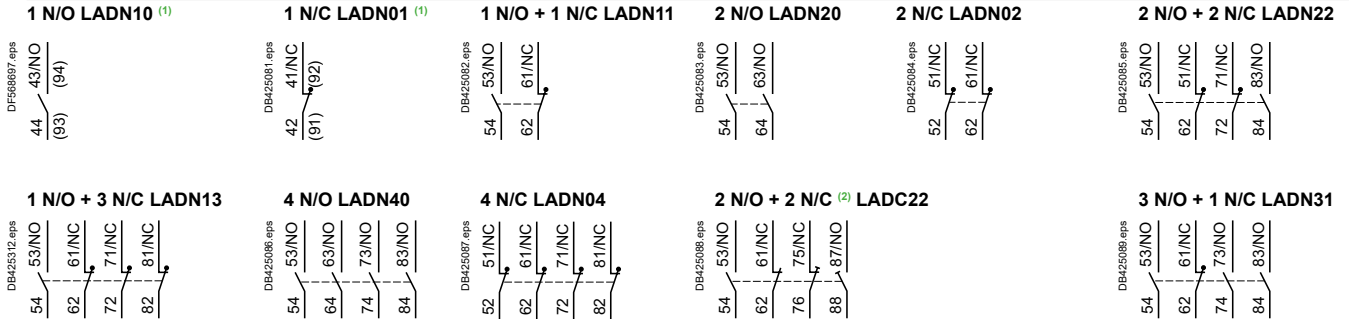


References:
p. B10/2 and B10/3

Characteristics:
p. B10/22 to B10/27

Add-on blocks

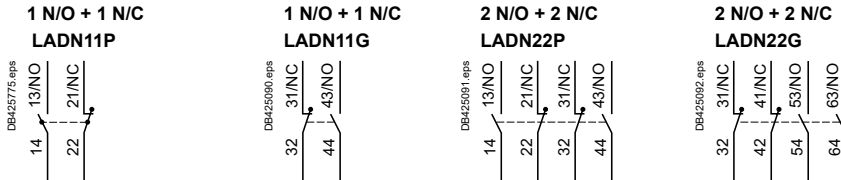
Instantaneous auxiliary contacts



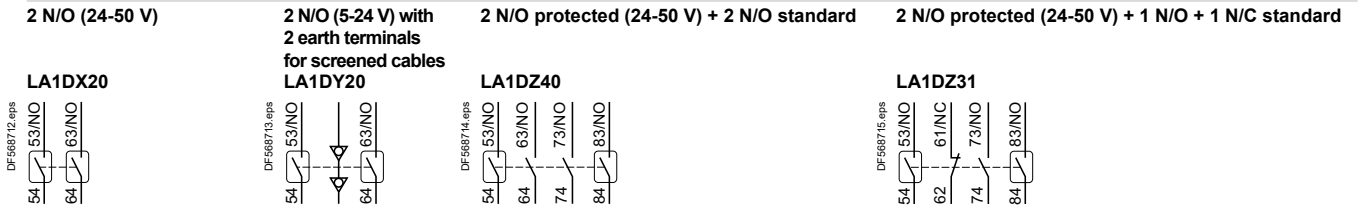
⁽¹⁾ Items in brackets: See "D contactors".

⁽²⁾ 1 N/O + 1 N/C make before break.

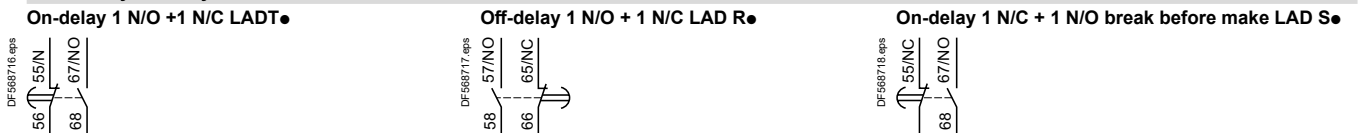
Instantaneous auxiliary contacts with terminal referencing conforming to standard EN 50012 (References: pages B10/6 and B10/7)



Dust and damp protected instantaneous auxiliary contacts



Time delay auxiliary contacts





References:
p. B10/5, B10/15 to B10/19

Dimensions:
p. B10/42 to B10/45



CR1F500

Magnetic latching contactors

Magnetic latching contactors of both block and bar mounted types are fitted with a special electromagnet which enables them to remain in the "On" position when the coil is no longer energised.

Applications

The special properties of magnetic latching contactors make them suitable for a large number of applications.

Properties

- Retention of the sequence memory in automatic control equipment in the event of loss of control voltage.
- Energy saving, since the source of supply to the coil does not need to supply current when the contactor is latched in the closed state.
- Change of state from "Closed" to "Open" by current signal through the coil.
- Unaffected by mains interference.
- Utilisation of contactors beyond their breaking capacity, as operations are performed off-load.
- Contactors are silent in the latched position.

Applications

- Refineries, power stations, excitation circuits.
 - Contactors remaining in the closed state for long periods.
- Examples: refineries, power supplies, low voltage distribution.
- Selective opening control.
 - No unwanted opening and closing of the main power poles.
 - Current carrying at voltages up to 1000 Volts.

Operation of the electromagnet

CR1F block contactors

CR1F magnetic latching contactors are fitted with a double coil with 3 terminals comprising a latching winding and an unlatching winding. The 2 windings have a common point which can necessitate special wiring precautions when the latching supply is separate from the unlatching supply.

The power supplies may be a.c. or d.c. For d.c. operation, the polarities indicated must be complied with.

Operating precautions:

- the 2 windings must not be supplied simultaneously
- a winding must not be supplied continuously
- supply to the coils must be via pulsed contacts.

Manual opening:

if the control voltage is not present, the contactor can be unlatched manually.

Latching is obtained by direct supply of the coil in one direction of current flow.

Unlatching is obtained by a reverse current, adjusted by resistors.

TeSys Control

CR1F Magnetic latching high power contactors

Characteristics - Squirrel cage motor



References:
p. B10/5, B10/15 to B10/19

Dimensions:
p. B10/42 to B10/45

CR1F selection - Squirrel cage motor Direct On Line starter

Continuous or intermittent duty up to 30 operating cycles/hour

Motor ⁽¹⁾												3-pole contactor	3-pole differential thermal overload relay		3 fuses Type	
220 V 230 V			380 V 400 V			415 V			440 V				Reference	Setting range	aM	BS-88
P	HP	In	P	HP	In	P	HP	In	P	HP	In	Reference				
25	35	85	-	-	-	-	-	-	-	-	-	CR1F150	LR9F5367	60...100	100	125
30	40	103	51	70	98	55	75	100	59	80	97	CR1F150	LR9F5369	90...150	100	160
33	45	113	55	75	105	-	-	-	-	-	-	CR1F150	LR9F5369	90...150	125	160
-	-	-	59	80	112	59	80	105	63	85	109	CR1F150	LR9F5369	90...150	125	160
-	-	-	63	85	117	63	85	115	-	-	-	-	-	-	-	-
37	50	126	75	100	138	75	100	135	75	100	125	CR1F150	LR9F5369	90...150	160	200
40	54	134	-	-	-	-	-	-	80	110	131	-	-	-	-	-
45	60	150	80	110	147	80	110	138	90	125	146	CR1F185	LR9F5369	90...150	160	200
51	70	170	90	125	170	90	125	165	100	136	162	CR1F185	LR9F5371	132...220	200	250
55	75	182	-	-	-	100	136	182	-	-	-	-	-	-	-	-
59	80	195	100	138	188	110	150	200	110	150	178	CR1F265	LR9F5371	132...220	250	315
63	85	203	110	150	205	-	-	-	129	175	209	-	-	-	-	-
75	100	240	129	175	242	129	175	230	132	180	215	CR1F265	LR9F7375	200...330	250	315
-	-	-	132	180	245	132	180	240	-	-	-	-	-	-	-	-
-	-	-	-	-	-	140	190	250	140	190	227	CR1F265	LR9F7375	200...330	315	400
80	110	260	140	190	260	147	200	260	147	200	236	CR1F400	LR9F7375	200...330	315	400
-	-	-	147	200	273	150	205	270	150	205	246	-	-	-	-	-
-	-	-	150	205	280	160	220	280	160	220	256	-	-	-	-	-
90	125	295	160	220	300	-	-	-	180	245	289	CR1F400	LR9F7375	200...330	315	400
-	-	-	-	-	-	-	-	-	185	250	295	-	-	-	-	-
100	136	325	180	245	333	180	245	320	200	270	321	CR1F400	LR9F7379	300...500	400	500
110	150	356	185	250	342	185	250	325	220	300	353	-	-	-	-	-
-	-	-	200	270	370	200	270	340	250	340	401	CR1F400	LR9F7379	300...500	400	500
-	-	-	-	-	-	220	300	385	-	-	-	-	-	-	-	-
129	175	420	220	300	408	-	-	-	257	350	412	CR1F500	LR9F7379	300...500	500	630
132	180	425	250	340	460	250	340	425	280	380	450	CR1F500	LR9F7381	380...630	500	630
140	190	450	-	-	-	257	350	450	-	-	-	-	-	-	-	-
147	200	472	-	-	-	-	-	-	295	400	473	CR1F500	LR9F7381	380...630	500	630
-	-	-	257	350	475	280	380	475	300	410	481	CR1F630	LR9F7381	380...630	500	630
-	-	-	-	-	-	295	400	500	-	-	-	-	-	-	-	-
150	205	483	280	380	510	300	410	510	315	430	505	CR1F630	LR9F7381	380...630	630	800
160	220	520	295	400	546	315	430	535	335	450	518	-	-	-	-	-
180	245	578	300	410	565	335	450	550	355	480	549	CR1F630	LR9F7381	380...630	630	800
185	250	595	315	430	584	355	480	580	375	500	575	-	-	-	-	-
200	270	626	335	450	620	375	500	610	400	454	611	CR1F630	LR9F7381	380...630	800	1000

(1) The ratings are for standard 220/230 V, 380/400 V, 415 or 440 V motors. The overload relays should preferably be set to the motor full-load current shown on the motor rating plate. For other power ratings, select the overload relay with the appropriate range; the associated contactor and fuses must have ratings equal to or immediately greater than In.

(2) Reference to be completed, see page B10/19.

TeSys Control

CR1F Magnetic latching high power contactors

Characteristics - AC



References:
p. B10/5, B10/15 to B10/19

Dimensions:
p. B10/42 to B10/45

Rated operational current in AC-3 ($\theta \leq 55^\circ\text{C}$)

Contactor size		CR1F 150	CR1 F185	CR1F 265	CR1F 400	CR1 F500	CR1F 630
440 V	A	150	185	265	400	500	630
500 V	A	135	175	245	385	500	540
660/690 V	A	130	140	230	365	435	470
1000 V	A	47	73	95	135	270	330

Rated operational power (standard motor power ratings)

220...240 V	kW	40	55	75	110	147	200
	HP	54	75	100	150	200	270
380...400 V	kW	75	90	132	200	250	335
	HP	100	185	180	270	340	450
415 V	kW	80	100	140	220	280	375
	HP	110	136	180	300	380	500
440 V	kW	80	100	140	250	295	400
	HP	110	136	190	340	400	545
500 V	kW	90	110	160	257	355	400
	HP	125	150	220	350	480	545
660/690 V	kW	100	110	160	280	335	450
	HP	–	–	–	–	–	610
1000 V	kW	65	100	147	185	335	450
	HP	–	136	200	250	–	610

Maximum operating rate in operating cycles/hour, at rated operational power with an on-load factor = 85 %: 750 for CR1F150 to F265, 500 for CR1F400 to F630.

TeSys Control

CR1F Magnetic latching high power contactors

Characteristics - Durability (AC)

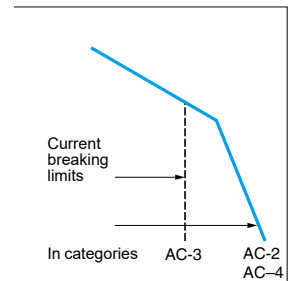
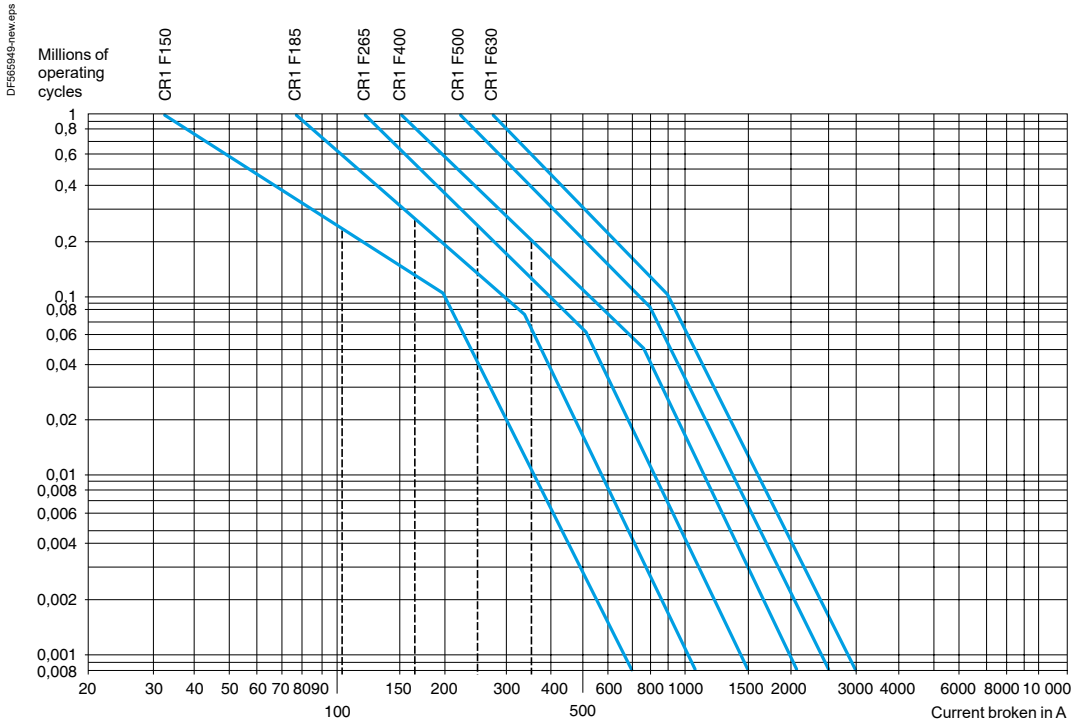


References:
p. B10/5, B10/15 to B10/19

Dimensions:
p. B10/42 to B10/45

Use in category AC-3 ($U_e \leq 440 \text{ V}$) ⁽¹⁾ ($\theta \leq 55 \text{ °C}$)

The current (I_c) in AC-3 is equal to the rated operational current (I_e) drawn by the motor.



Example:

Asynchronous motor with $P = 50 \text{ kW}$, $U_e = 380 \text{ V}$, $I_e = 100 \text{ A}$, $I_c = I_e = 100 \text{ A}$, or asynchronous motor with $P = 55 \text{ kW}$, $U_e = 415 \text{ V}$, $I_e = 100 \text{ A}$, $I_c = I_e = 100 \text{ A}$.
600000 operating cycles required.

The above selection curves show the contactor rating needed, CR1F185.

⁽¹⁾ For 660 V, multiply the number of operating cycles by 0.8.

TeSys Control

CR1F Magnetic latching high power contactors

Characteristics - Durability (AC)



References:
p. B10/5, B10/15 to B10/19

Dimensions:
p. B10/42 to B10/45

Maximum operational current (on-load factor ≥ 0.95)

Maximum operating rate: 120 operating cycles/hour

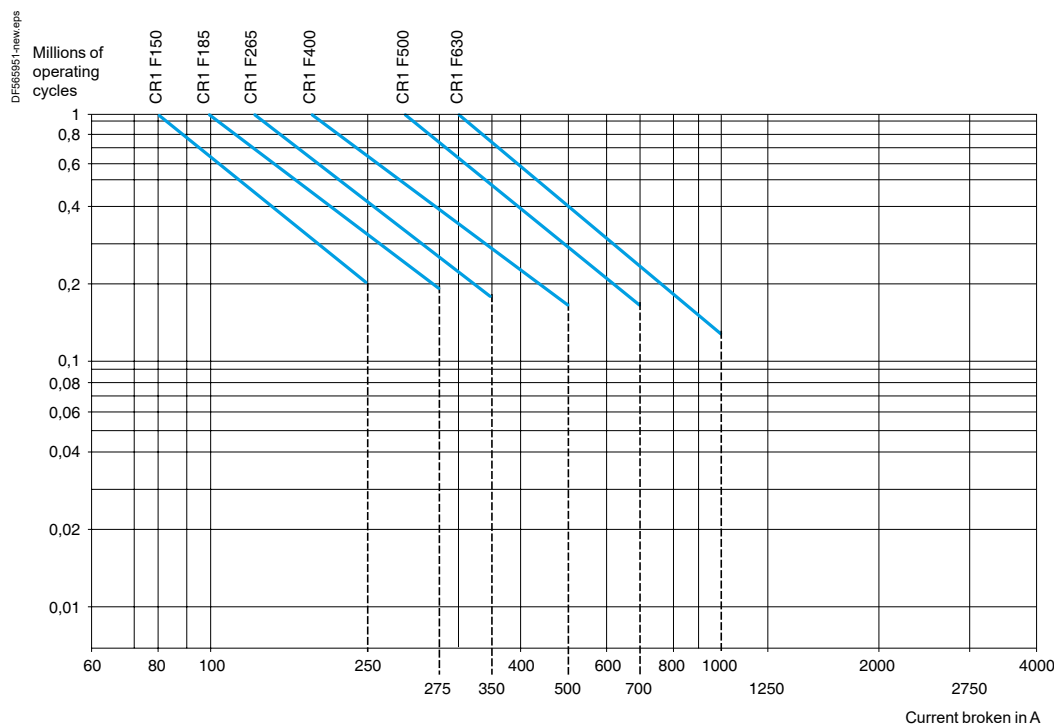
Contactor size		CR1 F150	CR1 F185	CR1 F265	CR1 F400	CR1 F500	CR1 F630	
Cable c.s.a.	mm ²	120	150	185	–	–	–	
Number of bars		–	–	–	2	2	2	
Bar c.s.a.	mm	–	–	–	30 x 5	40 x 5	60 x 5	
Operational current in category AC-1 at ambient temperature	$\leq 40\text{ °C}$	A	250	275	350	500	700	1000
	$\leq 55\text{ °C}$	A	250	275	300	430	580	850
	$\leq 70\text{ °C}$	A	170	180	250	340	500	700

Increase in operational current by parallel connection of poles

Apply the following coefficients to the above currents; these coefficients take into account an often unbalanced distribution of current between the poles:

- 2 poles in parallel: K = 1.6
- 3 poles in parallel: K = 2.25
- 4 poles in parallel: K = 2.8.

Electrical durability (U_e \leq 440 V) ⁽¹⁾



Example:

U_e = 220 V - I_e = 200 A - θ = 40 °C - I_c = I_e = 200 A
600000 operating cycles required.

The above selection curves show the contactor rating needed, CR1F400.

⁽¹⁾ For 660 V, multiply the number of operating cycles by 0.8.



References:
p. B10/5, B10/15 to B10/19

Dimensions:
p. B10/42 to B10/45

3-phase transformer primaries switching

Operating conditions

Maximum ambient temperature: 55 °C.

Maximum operational voltage: 1000 V, 50...60 Hz.

When a transformer is switched on, there is generally an initial current surge which reaches its peak value almost instantaneously and then decreases in a largely exponential manner to quickly reach its steady state value.

The value of this current depends on:

- the characteristics of the magnetic circuit and of the windings (cross sectional area of the core, rated inductance, number of turns, size of the windings, ...)
- the performance of the magnetic laminations used (residual induction and saturation inductance),
- the magnetic state of the circuit and the instantaneous value of the a.c. mains voltage at the moment of switch-on.

The peak current at the moment of switch-on can reach 20 to 40 times the rated current for the various kVA power ratings in the tables below. This value is independent of the "no-load" or "on-load" state of the transformer.

The peak magnetising current of the transformer must be lower than the values given in the tables below.

Contactor selection							
Maximum operating rate: 120 operating cycles/hour							
Contactor size		CR1 F150	CR1 F185	CR1 F265	CR1 F400	CR1 F500	CR1 F630
Maximum permissible current peak at switch-on	A	1700	2800	3500	5500	6800	9000
Maximum operational power ⁽¹⁾	220...230 V	kVA 25	40	50	75	100	140
	380...400 V	kVA 50	75	90	130	170	225
	415...440 V	kVA 55	80	100	140	190	250
	500 V	kVA 65	95	110	170	225	280
	660 V	kVA 80	120	140	200	270	315
	1000 V	kVA 100	150	200	250	375	470

⁽¹⁾ Maximum operational power corresponding to a current peak at switch-on of 30 In.

TeSys Control

CR1F Magnetic latching high power contactors

Characteristics



References:
p. B10/5, B10/15 to B10/19

Dimensions:
p. B10/42 to B10/45

Environment				CR1F150	CR1F185	CR1F265
Contactor type						
Rated insulation voltage (Ui)	Conforming to IEC 60947-4-1	V	1000	1000	1000	
Rated impulse withstand voltage (Uimp)	Coil not connected to the power circuit	kV	8			
Conforming to standards			IEC/EN 60947-1, IEC/EN 60947-4-1, JIS C8201-4-1, UL 60947-4-1, CSA C22.2 No. 60947-4-1			
Product certifications			CB scheme, UL, CSA, EAC, CE marking, UKCA marking			
Ambient air temperature around the device	Storage	°C	-60...+80			
	For operation at Uc	°C	-15...+70			
Maximum operating altitude	Without derating	m	3000			
Operating positions	Without derating		±5 ° in relation to normal vertical mounting plane			
Pole characteristics				CR1F150	CR1F185	CR1F265
Number of poles			3	3	3	
Rated operational current (Ie) (Ue ≤ 440 V)	In AC-3, θ ≤ 40 °C	A	150	185	265	
	In AC-1, θ ≤ 40 °C	A	250	275	350	
	In AC-4, θ ≤ 40 °C	A	138	170	245	
Rated operational voltage (Ue)	Up to	V	1000	1000	1000	
Frequency limits (sine wave)	Of the operational current	Hz	25...200	25...200	25...200	
Rated making capacity	I rms	A	1700	2100	2940	
Rated breaking capacity	I rms	220...440 V	A	1500	1800	2450
		500 V	A	1200	1600	2200
		660/690 V	A	1100	1200	1700
		1000 V	A	450	600	800
Permissible short time rating from cold state, with no current flowing for previous 60 minutes at θ ≤ 40 °C	For 1 s	A	1200	1500	2200	
	For 5 s	A	1200	1500	2200	
	For 10 s	A	1200	1500	2200	
	For 30 s	A	700	920	1230	
	For 1 min	A	600	740	950	
	For 3 min	A	450	500	620	
	For 10 min	A	350	400	480	
Short-circuit protection by fuses θ ≤ 440 V	Motor circuit AC-3 (type aM)	A	160	200	315	
	AC-1 circuit (type gG, BS 88)	A	250	315	400	
Average impedance per pole	At Ith and 50 Hz	mΩ	0.45	0.36	0.32	
Power dissipated per pole for the above operational currents	AC-3	W	6	12	22	
	AC-1	W	18	26	39	
Connection	Number of conductors		1	1	1	
	Cable with lugs	mm²	120	150	240	
	Cable with connector	mm²	120	150	240	
	Number of bars		2	2	2	
	Bar c.s.a.	mm	25 x 3	25 x 3	32 x 4	
	Bolt diameter		Ø8	Ø8	Ø10	
	Tightening torque	N.m	18	18	35	

TeSys Control

CR1F Magnetic latching high power contactors

Characteristics

CR1F400	CR1F500	CR1F630
1000	1000	1000
8		
IEC/EN 60947-1, IEC/EN 60947-4-1, JIS C8201-4-1, UL 60947-4-1, CSA C22.2 No. 60947-4-1		
CB scheme, UL, CSA, EAC, CE marking, UKCA marking		
-60...+80		
-15...+70		
3000		
±5° in relation to normal vertical mounting plane		
3	3	3
400	500	630
500	700	1000
370	460	560
1000	1000	1000
25...200	25...200	25...200
4500	5000	6740
4000	5000	6300
3500	4500	5400
3000	3560	4600
1200	2500	3200
3600	4200	5050
3600	4200	5050
3600	4200	5050
2400	3200	4400
1700	2400	3400
1200	1500	2200
1000	1200	1600
400	500	630
500	800	1000
0.28	0.18	0.12
45	45	48
70	88	120
2	2	–
150	240	–
–	–	–
2	2	2
30 x 5	40 x 5	60 x 5
Ø10	Ø10	Ø12
35	35	58

(1) Paralleling of poles must be carried out only in accordance with the fuse manufacturer's recommendations.

TeSys Control

CR1F Magnetic latching high power contactors

Characteristics



References:
p. B10/5, B10/15 to B10/19

Dimensions:
p. B10/42 to B10/45

a.c. and d.c. control circuit characteristics

Contactors type				CR1F150	CR1F185	CR1F265	
Rated control circuit voltage (Uc)	~ 50 or 60 Hz		V	48...415			
	~ 400 Hz		V	48...220			
	---		V	48...220			
	--- low consumption		V	48...220			
Control voltage limits ~ and ---	Latching			0.85...1.1 Uc			
	Unlatching			0.85...1.1 Uc			
Maximum operating rate at ambient temperature ≤ 40 °C	In operating cycles per hour			120			
Mechanical durability	In millions of operating cycles			1			
Average consumption	50/60 Hz	Latching	3-pole	VA	1100	1600	1650
		Unlatching	3-pole	VA	7.3	8	9
	400 Hz and ---	Latching	3-pole	VA	1260	1750	1800
		Unlatching	3-pole	VA	10	11	12
	--- low consumption	Latching	3-pole	W	500	500	500
		Unlatching	3-pole	W	15	20	40
Average operating time at Uc ⁽¹⁾	Latching		ms	35...40	35...40	45...50	
	Unlatching		ms	50...100	50...100	50...100	

⁽¹⁾ The closing time is measured from the moment the closing coil is energised to initial contact of the main poles. The opening time is measured from the moment the opening coil is energised to the moment the main poles separate.

Note: the arcing time depends on the circuit switched by the main poles. For 3-phase applications the arcing time is usually less than 10 ms. The load is isolated from the supply after a time equal to the sum of the opening time and the arcing time.

Auxiliary contact characteristics

Type of contacts			LADN for contactors CR1F										
Conventional thermal current		A	10										
Rated insulation voltage (Ui)	Conforming to IEC 60947-5-1	V	690										
Connection	Flexible or solid conductor with or without cable end	mm²	1 x 1 min; 2 x 2.5 max										
Operational power of contacts LADN for contactors CR1F			a.c. supply			d.c. supply							
			Electrical durability (valid for up to 3600 operating cycles/hour) on an inductive load such as the coil of an electromagnet: making current (cos φ 0.7) = 10 times the power broken (cos φ 0.4).										
			V	48	115	230	400	600	V	48	125	250	440
1 million operating cycles			VA	120	280	560	960	1440	W	90	75	68	61
Occasional making capacity			VA	2600	7000	13 000	15 000	9000	W	700	400	260	220

TeSys Control

CR1F Magnetic latching high power contactors

Characteristics



References:
p. B10/5, B10/15 to B10/19

Dimensions:
p. B10/42 to B10/45

CR1F400	CR1F500	CR1F630
48...415		
48...220		
48...220		
48...220		
0.85...1.1 Uc		
0.85...1.1 Uc		
120		
1		
1450	1650	2100
12	9.5	8
1600	1800	2300
16	13	11
500	550	620
70	60	45
40...75	40...80	40...80
50...100	50...100	50...100

(1) The closing time is measured from the moment the closing coil is energised to initial contact of the main poles. The opening time is measured from the moment the opening coil is energised to the moment the main poles separate.

Note: the arcing time depends on the circuit switched by the main poles. For 3-phase applications the arcing time is usually less than 10 ms. The load is isolated from the supply after a time equal to the sum of the opening time and the arcing time.

LADN for contactors CR1F

10

690

1 x 1 min; 2 x 2.5 max

Operational power of contacts
ZC4GM for contactors CR1 B

a.c. supply

Electrical durability (valid for up to 2400 operating cycles/hour) on an inductive load such as the coil of an electromagnet: making current ($\cos \varphi 0.7$) = 10 times the power broken ($\cos \varphi 0.4$).

V	110	220	380	415	500	
	127			440		
1 million operating cycles	VA	2000	4000	4000	4000	3500
Occasional making capacity	VA	14000	23000	35000	45000	35000

d.c. supply

Electrical durability (valid for up to 1200 operating cycles/hour) on an inductive load such as the coil of an electromagnet, without economy resistor, the time constant increasing with the load.

V	110	120	440	500	
1 million operating cycles	W	250	250	230	200
Occasional making capacity	W	1600	800	400	360

TeSys Control

CR1F Magnetic latching high power contactors

Dimensions



References:
p. B10/5, B10/15 to B10/19

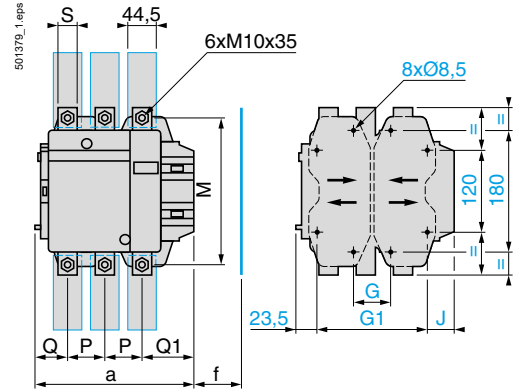
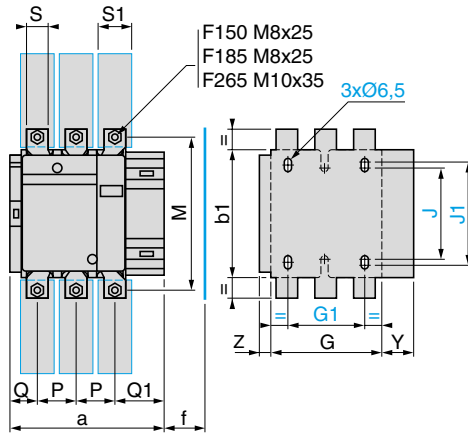
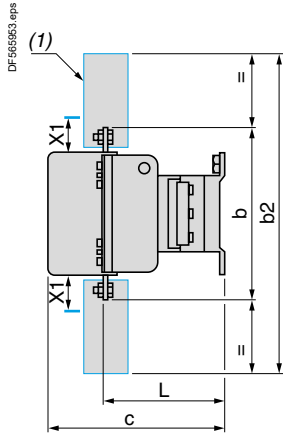
Characteristics:
p. B10/32 to B10/41

CR1F150 to F500

Common side view

CR1F150, F185, F265

CR1F400, F500



CR1	F150	F185	F265
a	163.5	168.5	201.5
b	170	174	203
b1	137	137	145
b2	301	305	370
c	171	181	213
f	131	130	147
G	106	111	142
G1	80	80	96
J	106	106	106
J1	120	120	120
L	107	113.5	141
M	150	154	178
P	40	40	48
Q	26	29	39
Q1	57.5	59.5	66.5
S	20	20	25
S1	27	34	38
Y	44	38.5	30.5
Z	13.5	13.5	15.5

f = minimum distance required for coil removal.

X1: Minimum electrical clearance according to operational voltage and breaking capacity.

CR1	F400	F500
a	213	233
G min.	66	66
b	206	238
b2	375	400
c	219	232
f	146	150
G supplied	80	80
G max.	102	120
G1 supplied	170	170
G1 min.	156	156
G1 max.	192	210
J	12	32
L	145	146
M	181	208
P	48	55
Q	43	47
Q1	74	77
S	25	30

f = minimum distance required for coil removal.

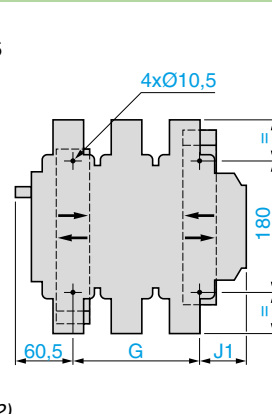
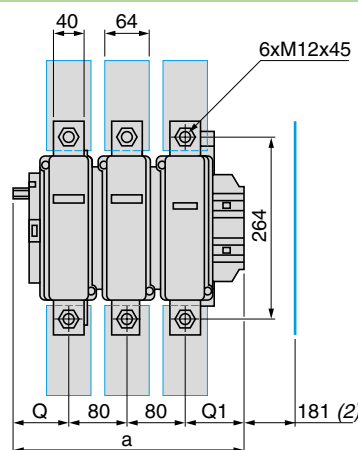
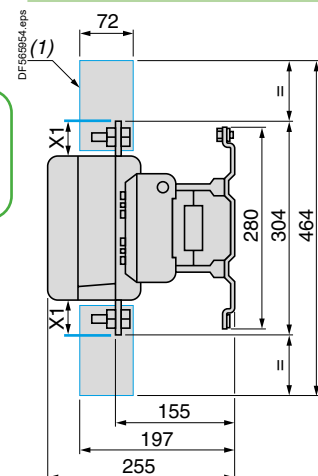
X1: Minimum electrical clearance according to operational voltage and breaking capacity.

Voltage in V	200...500	660...1000
CR1F150	10	15
CR1F185	10	15
CR1F265	10	15

Voltage in V	200...500	660...1000
CR1F400	15	20
CR1F500	15	20

(1) Power terminal protection shroud (see page B10/15).

CR1F630



CR1F630	3P
a	309
G supplied	180
G min.	100
G max.	195
J1	61
Q	60
Q1	89

X1: Min. electrical clearance according to operational voltage and breaking capacity.

Voltage in V	X1
200...500	20
690...1000	30

(1) Power terminal protection shroud.

(2) Minimum distance required for coil removal.

High power contactors

TeSys Control

CR1F Magnetic latching high power contactors

Mounting



References:
p. B10/5, B10/15 to B10/19

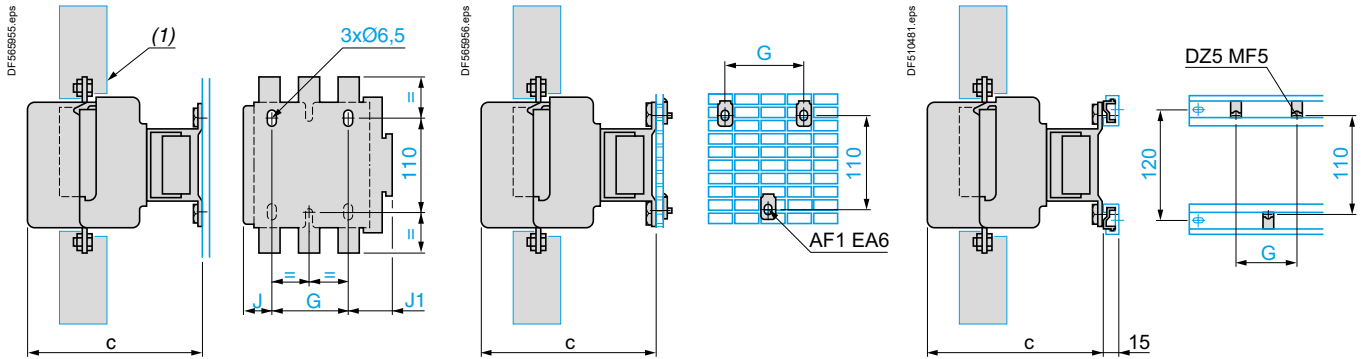
Characteristics:
p. B10/32 to B10/41

CR1F150...F265

Panel mounted

On pre-slotted mounting plate AM1PA, PB, PC

On rails DZ5MB on 120 mm centres



CR1	F150	F185	F265
c	3P 171	181	213
G	3P 80	80	96
J	3P 26.5	29	44.5
J1	3P 57	59.5	61.5

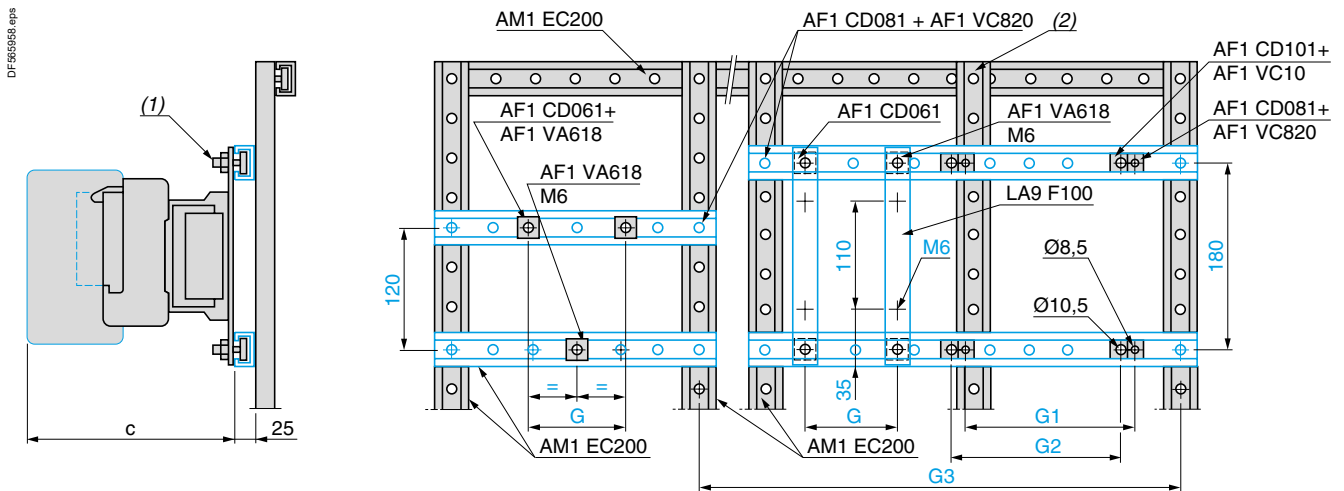
CR1	F150	F185	F265
c	3P 171	181	213
G	3P 80	80	96

CR1	F150	F185	F265
c	3P 171	181	213
G	3P 80	80	96

(1) Power terminal protection shroud (see page B10/15).

CR1F150...F650

On 2 notched uprights AM1EC●●●



CR1	F150	F185	F265	F400	F500	F630
c	3P 171	181	213	213	226	250
G (M6)	3P 80	80	96	-	-	-
G1 (Ø8,5)	3P -	-	-	80	80	-
G2 (Ø10,5)	3P -	-	-	-	-	180

(1) AF1CD●●● or AF1VA●●●.

(2) This AM1EC200 upright is required when G2 or G3 is greater than 700 mm (please consult your Regional Sales Office).

High power contactors

TeSys Control

CR1F Magnetic latching reversing contactors

Mounting

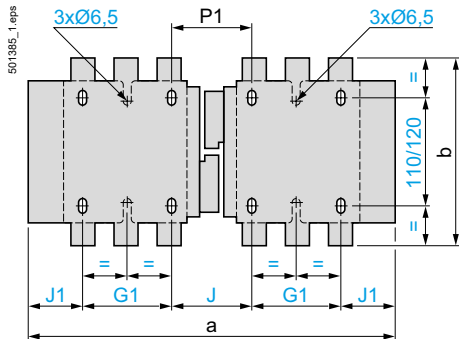


References:
p. B10/5, B10/15 to B10/19

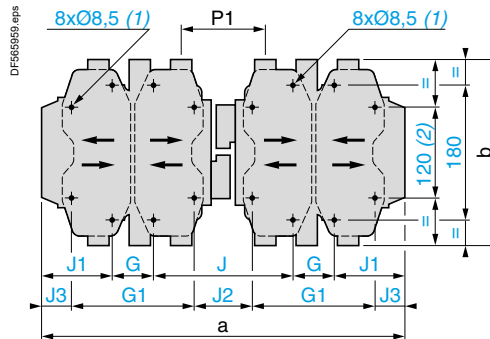
Characteristics:
p. B10/32 to B10/41

Reversing contactors 2 x CR1F150...F265

Horizontally mounted



Reversing contactors 2 x CR1F400...F630



2 x CR1		F150	F185	F265
a	3P	345	357	425
b	3P	170	174	203
G1	3P	80	80	96
J	3P	71	78	109
J1	3P	57	59.5	61.5
P1	3P	71	78	100

2 x CR1		F400	F500	F630
a	3P	446	485	636
b	3P	206	238	304
G	3P	80	80	180
G1	3P	170	170	—
J	3P	157	156	139
J1	3P	64.5	84.5	68.5
J2	3P	67	66	—
J3	3P	19.5	39.5	—
P1	3P	107	112	137

(1) Except F630: 4 x Ø 10.5.

(2) Except F630: 180.

TeSys Control

CR1F Magnetic latching reversing contactors

Mounting



References:
p. B10/5, B10/15 to B10/19

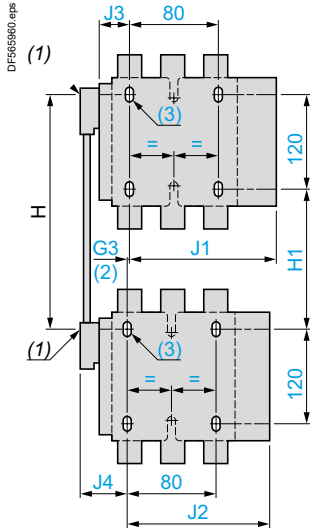
Characteristics:
p. B10/32 to B10/41

Reversing contactors

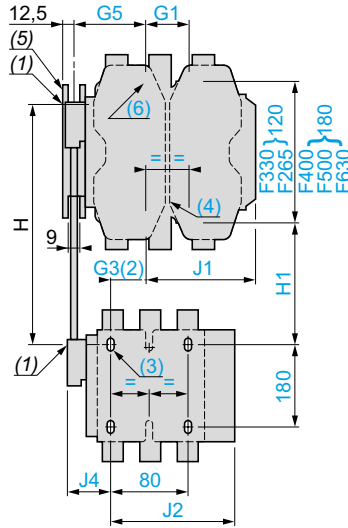
Vertically mounted with mechanical interlock **LA9F**...

2 contactors **CR1F** of identical or different ratings (CR1F150...F630), see page B10/34.

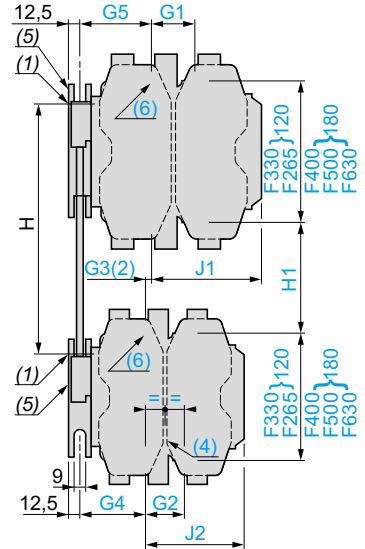
Assembly A



Assembly B



Assembly C



- (1) Mechanical interlock shaft.
- (2) For assembly of contactors of different ratings only.
- (3) 3 x Ø6.5 mm for CR1F150...F265.
- (4) 3 x Ø6.5 mm for CR1F265.
- (5) Mechanical interlock guide bracket.
- (6) 4 x Ø8.5 mm for CR1F400, F500 or 4 x Ø10.5 mm.

Assembly type	LA9F	A			B								C									
		F4F	G4F	G4G	H4F	J4F	K4F	L4F	H4G	J4G	K4G	L4G	H4H	J4H	K4H	L4H	J4J	K4J	L4J	K4K	L4K	L4L
G1	3P	-	-	-	96	80	80	180	96	80	80	180	96	80	80	180	80	80	180	80	180	180
G2	3P	-	-	-	-	-	-	-	-	-	-	-	96	96	96	96	80	80	80	80	80	180
G3	3P	0	3	0	21	45	45	35	19	42	42	33	0	23	23	14	0	0	9 ⁽⁷⁾	0	9 ⁽⁷⁾	0
G4	3P	-	-	-	-	-	-	-	-	-	-	-	60	60	60	60	83	83	83	83	83	74
G5	3P	-	-	-	60	83	83	74	60	83	83	74	60	83	83	74	83	83	74	83	74	74
H	min.	200	210	220	240	250	270	310	250	250	270	310	250	260	280	330	260	280	325	300	345	380
	max.	310	300	310	380	380	380	380	380	380	380	380	380	380	380	380	380	380	380	380	380	380
H1	min.	80	90	100	110	80	100	140	120	90	110	150	130	110	130	170	60	100	140	120	160	200
	max.	190	180	190	250	210	210	210	250	220	220	220	260	230	230	220	200	200	195	200	195	200
J1	3P	133	134	134	149.5	137	157	241	149.5	137	157	241	149.5	137	157	24	137	157	241	157	244	241
J2	3P	133	133	134	183	133	183	133	134	134	134	134	142.5	149.5	149.5	149.5	137	137	137	157	157	241
J3	3P	48.5	53	53	-	-	-	-	-	-	-	-	-	-	-	-	-	-	-	-	-	-
J4	3P	48.5	54	53	48.5	48.5	48.5	48.5	53	53	53	53	-	-	-	-	-	-	-	-	-	-

(7) In this case, G4 is greater than G5.

High power
contactors

Thermal overload relays - For use with TeSys K contactors		
Type of product	Range	Pages
Adjustable thermal overload relays For motors TeSys LRK	From 0.16 to 16 A	B11/2
Adjustable thermal overload relays For unbalanced loads TeSys LRK	From 0.8 to 16 A	B11/3
Thermal overload relays Class 10 A - For use with TeSys Deca contactors		
TeSys Deca adjustable thermal overload relays For motors	From 0.16 to 140 A	B11/4
TeSys Deca adjustable thermal overload relays For unbalanced loads	From 0.16 to 140 A	B11/4
Thermal overload relays Class 20 - For use with TeSys Deca contactors		
TeSys Deca adjustable thermal overload relays For motors	From 0.63 to 80 A	B11/6
TeSys Deca adjustable thermal overload relays For unbalanced loads	From 0.63 to 32 A	B11/6
Electronic thermal overload relays - For use with TeSys Deca contactors		
TeSys Deca adjustable electronic overload relay, Multi-class, multi-scale	From 0.1 to 150 A	B11/10
Electronic overload relays - For use with TeSys Giga contactors		
TeSys LR9G electronic overload relays To protect against overload, phase imbalance, phase loss and ground fault	From 28 to 630 A	B11/11
Electronic over current relays - For machine protection		
Predefined or adjustable starting times, Manual reset	From 1.5 to 34 A	B11/15
Automatic, electric or manual reset	From 0.5 to 50 A	B11/15



Characteristics:
p. B11/24 to B11/25

Dimensions:
p. B11/26

Schemes:
p. B11/26

3-pole thermal overload relays for TeSys K contactors

These overload relays are designed for the protection of motors. They are compensated and phase failure sensitive. Resetting can either be manual or automatic.

Direct mounting: under the contactor for versions with screw clamp terminals only; pre-wired terminals, see pages B11/24 and B11/26.

Separate mounting: using terminal block LA7K0064 (see below).

On the front face of the overload relay:

- selection of reset mode: Manual (marked H) or Automatic (marked A),
- red pushbutton: Trip Test function,
- blue pushbutton: Stop and manual Reset,
- yellow trip flag indicator: overload relay tripped.

Protection by magnetic circuit breaker GV2LE, see pages coordination tables chapter A6.

PB123793.1if



LR2K0307

Class 10A (the standard specifies a tripping time of between 2 and 10 seconds at 7.2 In)

Relay setting range	Fuses to be used with selected relay			Reference
	Maximum rating			
	Type			
	aM	gG	BS88	
A	A	A	A	
0.11...0.16	0.25	0.5	–	LR2K0301
0.16...0.23	0.25	0.5	–	LR2K0302
0.23...0.36	0.5	1	–	LR2K0303
0.36...0.54	1	1.6	–	LR2K0304
0.54...0.8	1	2	–	LR2K0305
0.8...1.2	2	4	6	LR2K0306
1.2...1.8	2	6	6	LR2K0307
1.8...2.6	4	8	10	LR2K0308
2.6...3.7	4	10	16	LR2K0310
3.7...5.5	6	16	16	LR2K0312
5.5...8	8	20	20	LR2K0314
8...11.5	10	25	20	LR2K0316
10...14	16	32	25	LR2K0321
12...16	20	40	32	LR2K0322

Overload relays for unbalanced loads

Class 10A: to order, replace the prefix **LR2** by **LR7** in the references selected from above (only applicable to overload relays **LR2K0305** to **LR2K0322**).

Example: **LR7K0308**.

TeSys Protect

TeSys Protect accessory for LRK Thermal overload relays

Product references



LA7K0064

Accessory for TeSys LRK Thermal overload relay		
Description	Type of connection	Reference
Terminal block for separate clip-on mounting of the overload relay on 35 mm din rail	Screw clamp	LA7K0064

Overload relays



Characteristics:
p. B11/27 to B11/30

Dimensions:
p. B11/31 to B11/33

Schemes:
p. B11/33

3-pole differential thermal overload relays for Deca contactors - Class 10A

- for use with fuses or magnetic circuit breakers ref. GV2L and GV3L
- compensated relays with manual or automatic reset
- with relay trip indicator
- for a.c. or d.c.

Relay setting range (A)	Fuses to be used with selected relay			For use with contactor LC1	Reference	Weight kg
	aM (A)	gG (A)	BS88 (A)			
Class 10A ⁽¹⁾ for connection by screw clamp terminals or connectors						
0.10...0.16	0.25	2	–	D09...D38	LRD01	0.124
0.16...0.25	0.5	2	–	D09...D38	LRD02	0.124
0.25...0.40	1	2	–	D09...D38	LRD03	0.124
0.40...0.63	1	2	–	D09...D38	LRD04	0.124
0.63...1	2	4	–	D09...D38	LRD05	0.124
1...1.6	2	4	6	D09...D38	LRD06	0.124
1.6...2.5	4	6	10	D09...D38	LRD07	0.124
2.5...4	6	10	16	D09...D38	LRD08	0.124
4...6	8	16	16	D09...D38	LRD10	0.124
5.5...8	12	20	20	D09...D38	LRD12	0.124
7...10	12	20	20	D09...D38	LRD14	0.124
9...13	16	25	25	D12...D38	LRD16	0.124
12...18	20	35	32	D18...D38	LRD21	0.124
16...24	25	50	50	D25...D38	LRD22	0.124
23...32	40	63	63	D25...D38	LRD32	0.124
30...38	40	80	80	D32 and D38	LRD35	0.124
Class 10A ⁽¹⁾ for connection by EverLink[®] BTR screw connectors ⁽²⁾						
9...13	16	25	25	D40A...D65A	LRD313	0.375
12...18	20	32	35	D40A...D65A	LRD318	0.375
17...25	25	50	50	D40A...D65A	LRD325	0.375
23...32	40	63	63	D40A...D65A	LRD332	0.375
30...40	40	80	80	D40A...D65A	LRD340	0.375
37...50	63	100	100	D40A...D65A	LRD350	0.375
48...65	63	100	100	D50A and D65A	LRD365	0.375
62...80	80	125	125	D80A	LRD380	0.375
Class 10A ⁽¹⁾ for connection by screw clamp terminals or connectors						
17...25	25	50	50	D80 and D95	LRD3322	0.510
23...32	40	63	63	D80 and D95	LRD3353	0.510
30...40	40	100	80	D80 and D95	LRD3355	0.510
37...50	63	100	100	D80 and D95	LRD3357	0.510
48...65	63	100	100	D80 and D95	LRD3359	0.510
55...70	80	125	125	D80 and D95	LRD3361	0.510
63...80	80	125	125	D80 and D95	LRD3363	0.510
80...104	100	160	160	D80 and D95	LRD3365	0.510
80...104	125	200	160	D115A and D150A	LRD4365	0.900
95...120	125	200	200	D115A and D150A	LRD4367	0.900
110...140	160	250	200	D150A	LRD4369	0.900
80...104	100	160	160	⁽³⁾	LRD33656	1.000

Class 10A ⁽¹⁾ for connection by lugs

Select the appropriate overload relay with screw clamp terminals or connectors from the table above and add one of the following suffixes:

- figure 6 for relays LRD01 to LRD35 and relays LRD313 to LRD380.
- **A66** for relays LRD3322 to LRD3363.

Relays LRD43●● are suitable, as standard, for use with lug-clamps.

Thermal overload relays for use with unbalanced loads

Class 10A ⁽¹⁾ for connection by screw clamp terminals or lugs

In the references selected above, change the prefix **LRD** (except **LRD43●●**) to **LR3D**.

Example: **LRD02** becomes **LR3D02**.

Example with **EverLink[®]** connectors: **LRD340** becomes **LR3D340**.

Example with lugs: **LRD3806** becomes **LR3D3806**.

⁽¹⁾ Standard IEC 60947-4-1 specifies a tripping time for 7.2 times the setting current I_r : class 10A: between 2 and 10 seconds.

⁽²⁾ BTR screws: hexagon socket head. Requires the use of an insulated Allen key, in compliance with local wiring regulations.

⁽³⁾ Independent mounting of the contactor.

Please check the availability of your variant in the index page B11/16. The **SEARCH** function of your viewer can be used.

PB121694.tif



LRD01●●

PB123837.tif



LRD3322●●

PB123839.eps



LRD4365●●

PB123840.eps



LRD33656●●6

Overload relays

TeSys Protect

Deca Thermal overload relays

Product references



Characteristics:
p. B11/27 to B11/30

Dimensions:
p. B11/31 to B11/33

Schemes:
p. B11/33



LRD●●3

3-pole differential thermal overload relays for Deca contactors - Class 10A

- for use with fuses or magnetic circuit breakers ref. GV2L and GV3L
- compensated relays with manual or automatic reset
- with relay trip indicator
- for a.c. or d.c.

Relay setting range (A)	Fuses to be used with selected relay			For use with contactor LC1	Reference
	aM (A)	gG (A)	BS88 (A)		
Classes 10A ⁽¹⁾ for connection by spring terminals (only for direct mounting beneath the contactor)					
1...1.6	2	4	6	D09...D38	LRD063
1.6...2.5	4	6	10	D09...D38	LRD073
2.5...4	6	10	16	D09...D38	LRD083
4...6	8	16	16	D09...D38	LRD103
5.5...8	12	20	20	D09...D38	LRD123
7...10	12	20	20	D09...D38	LRD143
9...13	16	25	25	D12...D38	LRD163
12...18	20	35	32	D18...D38	LRD213
16...24	25	50	50	D25...D38	LRD223

Class 10A with connection by EverLink® BTR screw connectors ⁽²⁾ and control by spring terminals

23...32	40	63	63	D40A...D65A	LRD3323
37...50	63	100	100	D40A...D65A	LRD3503
48...65	63	100	100	D50A and D65A	LRD3653
62...80	80	125	125	D80A	LRD3803

Thermal overload relays for use with unbalanced loads

Classes 10A ⁽¹⁾ for connection by BTR screw connectors ⁽²⁾ and control by spring terminals

In the references selected above, replace **LRD3** with **LR3D3**.

Example: **LRD3803** becomes **LR3D3803**.

Thermal overload relays for use on 1000 V supplies

Classes 10A ⁽¹⁾ for connection by screw clamp terminals

For relays LRD06 to LRD35 only, for an operating voltage of 1000 V, and only for independent mounting, the reference becomes **LRD33●●A66**.

Order an **LA7D3064** terminal block separately, see page B11/9.

Standard relay	Relay for 1000 V network
LRD32	LRD3353A66

⁽¹⁾ Standard IEC 60947-4-1 specifies a tripping time for 7.2 times the setting current I_r : class 10A: between 2 and 10 seconds.

⁽²⁾ BTR screws: hexagon socket head. Requires the use of an insulated Allen key, in compliance with local wiring regulations.

Please check the availability of your variant in the index page B11/16. The **SEARCH** function of your viewer can be used.



Characteristics:
p. B11/27 to B11/30

Dimensions:
p. B11/31 to B11/33

Schemes:
p. B11/33

3-pole differential thermal overload relays for Deca contactors - Class 20

- for use with fuses or magnetic circuit breakers ref. GV2L and GV3L
- compensated relays with manual or automatic reset
- with relay trip indicator
- for a.c. or d.c.



LRD05L...LRD32L

Relay setting range (A)	Fuses to be used with selected relay			For use with contactor LC1	Reference
	aM (A)	gG (A)	BS88 (A)		
Classes 20 ⁽¹⁾ for connection by screw clamp terminals					
0.63...1	2	4	-	D09...D38	LRD05L
1...1.6	2	4	6	D09...D38	LRD06L
1.6...2.5	4	6	10	D09...D38	LRD07L
2.5...4	6	10	16	D09...D38	LRD08L
4...6	8	16	16	D09...D38	LRD10L
5.5...8	12	20	20	D09...D38	LRD12L
7...10	12	20	20	D09...D38	LRD14L
9...13	16	25	25	D12...D38	LRD16L
12...18	20	35	32	D18...D38	LRD21L
17...24	25	50	50	D25...D38	LRD22L
23...32	40	63	63	D25...D38	LRD32L

Class 20 ⁽¹⁾ for connection by EverLink® BTR screw connectors ⁽²⁾					
9...13	20	32	35	D40A...D65A	LRD313L
12...18	25	40	40	D40A...D65A	LRD318L
17...25	32	50	50	D40A...D65A	LRD325L
23...32	40	63	63	D40A...D65A	LRD332L
30...40	50	80	80	D40A...D65A	LRD340L
37...50	63	100	100	D40A...D65A	LRD350L
48...65	80	125	125	D50A and D65A	LRD365L



LR2D35...LR2D3563

Classes 20 ⁽¹⁾ for connection by screw clamp terminals					
17...25	32	50	50	D80 and D95	LR2D3522
23...32	40	63	63	D80 and D95	LR2D3553
30...40	40	100	80	D80 and D95	LR2D3555
37...50	63	100	100	D80 and D95	LR2D3557
48...65	80	125	100	D80 and D95	LR2D3559
55...70	100	125	125	D80 and D95	LR2D3561
63...80	100	160	125	D80 and D95	LR2D3563

Class 20 ⁽¹⁾ for connection by lugs

For relays LRD05L to LRD32L and relays LRD313L to LRD365L, select the appropriate overload relay with screw clamp terminals or connectors from the table above and add the suffix **6**.

Example: **LRD05L** becomes **LRD05L6**.

Thermal overload relays for use with unbalanced loads

Class 20 ⁽¹⁾ for connection by screw clamp terminals or lugs

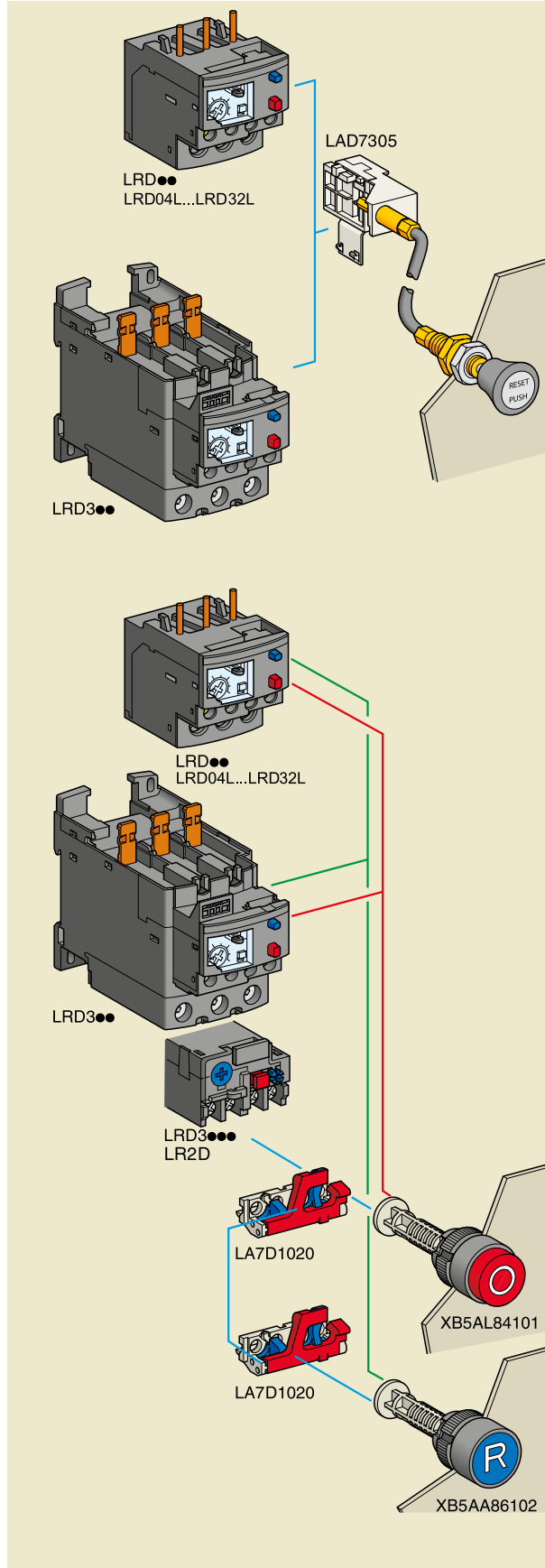
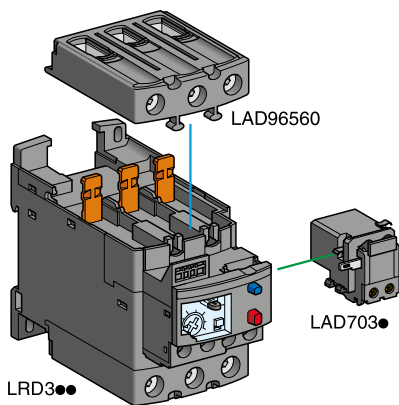
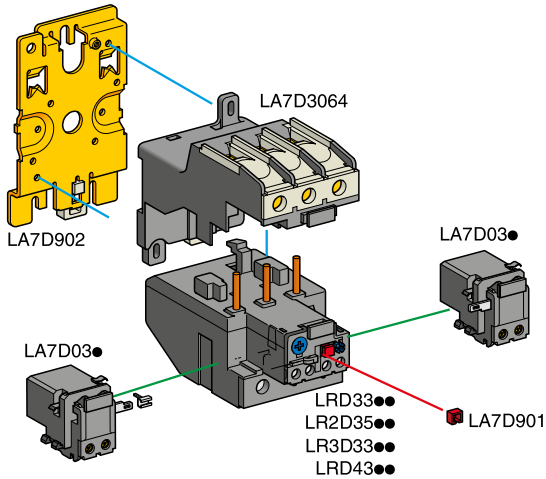
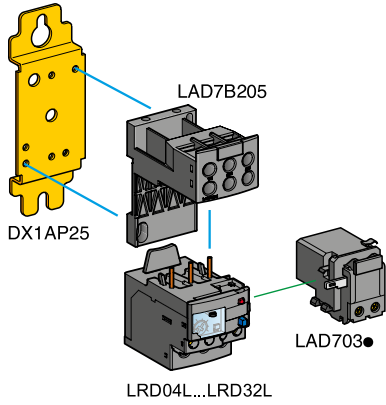
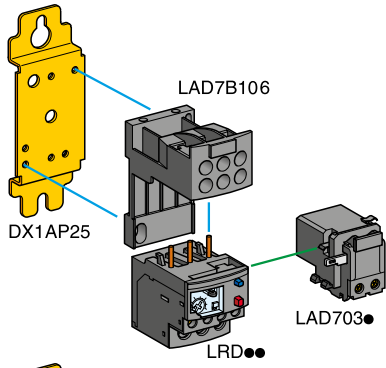
For relays LRD05L to LRD32L and relays LR2D3522 to LR2D3563, select the appropriate overload relay with screw clamp terminals or connectors from the table above and change the prefix LRD or LR2D to **LR3D**.

Example: **LRD05L** becomes **LR3D05L**.

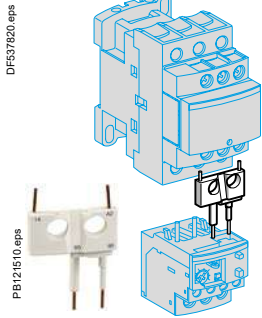
⁽¹⁾ Standard IEC 60947-4-1 specifies a tripping time for 7.2 times the setting current I_r : class 20: between 6 and 20 seconds

⁽²⁾ BTR screws: hexagon socket head. Requires the use of an insulated Allen key, in compliance with local wiring regulations.

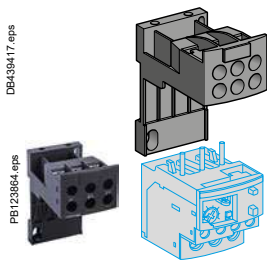
Please check the availability of your variant in the index page B11/16. The SEARCH function of your viewer can be used.



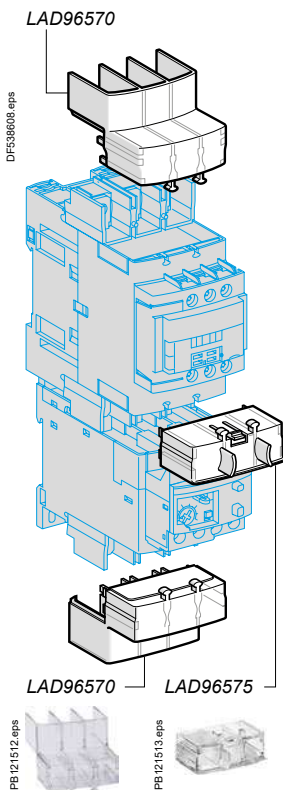
Overload relays



LAD7C●



LAD7B106



LAD96570

LAD96575



Separate components for relays

Description	For use with	Sold in lots of	Unit reference
Pre-wiring kit allowing direct connection of the N/C contact of relay LRD01...35 or LR3D02...D35 to the contactor	LC1D09...D18	10	LAD7C1 ⁽¹⁾
	LC1D25...D38	10	LAD7C2 ⁽¹⁾
Terminal block ⁽²⁾ for clip-on mounting on 35 mm DIN Rail or screw fixing; for fixing centres, see pages B11/31 to B11/33	LRD01...35 and LR3D02...D35	1	LAD7B106
	LRD05L...LRD32L, LR3D05L...LR3D32L	1	LAD7B205
	LRD33●●, LR3D33●●, LR2D35●●, LR3D35●●	1	LA7D3064 ⁽³⁾
EverLink® terminal block for independent mounting	LRD3●●, LR3D3●●L and LR3D3●●	1	LAD96560
Size 4 Allen key, insulated, 1000 V	LRD3●●, LR3D3●●L and LR3D3●●	5	LADALLEN4
Terminal block adapter for mounting a relay beneath an LC1D115A or D150A contactor	LRD33●●, LR3D33●●, LR3D35●●	1	LA7D3058 ⁽³⁾
Mounting plates for screw fixing on 110 mm centres	LRD3●●●, LR3D3●●●, LR2D35●●	1	LA7D902
Marker holders, snap-in 8 x 18 mm	LRD3●●	100	LAD90
	All relays except LRD01...35, LRD05L...32L, LR3D05L...D32L, LR3D02...D35, LRD3●●, LRD3●●L and LR3D3●●	100	LA7D903
Remote Stop or electrical reset device ⁽⁴⁾	LRD01...35, LR3D02...D35, LRD05L...32L, LR3D05L...D32L and LRD313...LRD380	1	LAD703● ⁽⁵⁾
Remote tripping or electrical reset device ⁽⁴⁾	All relays except LRD01...35, LR9D01...32, LRD05L...32L, LR3D05L...D32L, LR3D02...D35, LR9D01...32, LRD3●●, LRD3●●L and LR3D3●●	1	LA7D03● ⁽⁵⁾
IP 20 cover for lug type terminals for independent mounting	LRD3256...3806	1	LAD96570
IP 20 cover for lug type terminals for mounting with contactor LC1D40A6...D65A6	LRD3256...3806	1	LAD96575
Terminal block for lug type terminals for independent mounting	LRD3256...3806	1	LAD96566

Remote control

"Reset" function

Description	For use with	Sold in lots of	Unit reference
By flexible cable (length = 0.5 m)	LRD01...35, LR3D02...D35, LR3D05L...D32L and LRD313...LRD380, LRD05L...LRD32L	1	LAD7305 ⁽⁶⁾
	All relays except LRD01...35, LR3D02...D35, LRD3●●, LRD05L...32L, LR3D05L...D32L, LRD3●●L, LR3D3●●, LR9D01...32	1	LA7D305

"Stop" and/or "Reset" functions

The terminal protection shroud must be removed and the following 3 products must be ordered separately:

Adapter for door mounting	LRD33●●, LR2D	1	LA7D1020	
Operating heads for spring return pushbutton	Stop	All relays	1	XB5AL84101
	Reset	All relays	1	XB5AA86102

- (1) These pre-wiring kits cannot be used with reversing contactors.
- (2) Terminal blocks are supplied with terminals protected against direct finger contact and screws in the open, "ready-to-tighten" position.
- (3) To order a terminal block for connection by lugs, the reference becomes LA7D30646.
- (4) The time for which the coil of remote tripping or electrical resetting device LA7D03 or LAD703 can remain energised depends on its rest time: 1 s pulse duration with 59 s rest time; 2 s pulse duration with 118 s rest time; maximum 20 s pulse duration with 1180 s rest time. Minimum pulse time: 200 ms.
- (5) Reference to be completed by adding the code indicating the control circuit voltage. Standard control circuit voltages (for other voltages, please consult your Regional Sales Office):

Volts	12	24	48	96	110	220/230	380/400	415/440
50/60 Hz	—	B	E	—	F	M	Q	N
Consumption, inrush and sealed: < 100 VA	—	J	B	E	DD	F	M	—
Consumption, inrush and sealed: < 100 W	—	J	B	E	DD	F	M	—

- (6) Not compatible with 3-pole relays fitted with spring terminals.

TeSys Protect

Deca and Giga Electronic thermal overload relays

Product references



Characteristics:
p. B11/34 to B11/35

Dimensions:
p. B11/36

Schemes:
p. B11/37

PB114650.eps



LR9D01 and LR9D32

PB121746.eps



LAD7B205

PB121747.eps



LAD7B205 mounted on LR9D01

PB121622_F.tif



LR9G225

Deca Electronic thermal overload relays for Deca contactors

- for use with fuses or magnetic circuit breakers
- compensated relays, with relay trip indicator,
- for a.c.,
- for direct mounting on contactor or independent mounting ⁽¹⁾.

Relay setting range	Fuses to be used with selected relay		For direct mounting beneath contactor LC1	Reference
	aM	gG		
A	A	A		
Classes 5.10.20.30 ⁽¹⁾ selectable for direct connection on Deca contactors or connection using connectors				
0.1...0.5			D09...D38	LR9D01
0.4...2			D09...D38	LR9D02
1.6...8			D09...D38	LR9D08
6.4...32			D09...D38	LR9D32

Separate components for relays

Description	For use with	Sold in lots of	Unit reference
Terminal block ⁽²⁾ For clips-on mounting on 35 mm rails (AM1DP200) or screws fixing; for fixing centres, see pages B11/35 to B11/37	LR9D01, LR9D02, LR9D08, LR9D32	1	LAD7B205

Giga Electronic overload relays for Deca Advanced contactors

Relay setting range	Fuses to be used with selected relay		For direct mounting beneath contactor LC1	Reference
	aM	gG		
A	A	A		
Classes 5E...30E ⁽¹⁾ selectable for direct connection using bars or connectors				
28...115	125	–	D115A...D150A	LR9G115
57...150	250	–	D115A...D150A	LR9G225

⁽¹⁾ Standard IEC 60947-4-1 specifies a tripping time for 7.2 times the setting current I_{Rt} :
 class 5: between 0.5 and 5 seconds
 class 10: between 4 and 10 seconds
 class 10A: between 2 and 10 seconds
 class 20: between 6 and 20 seconds
 class 30: between 9 and 30 seconds.

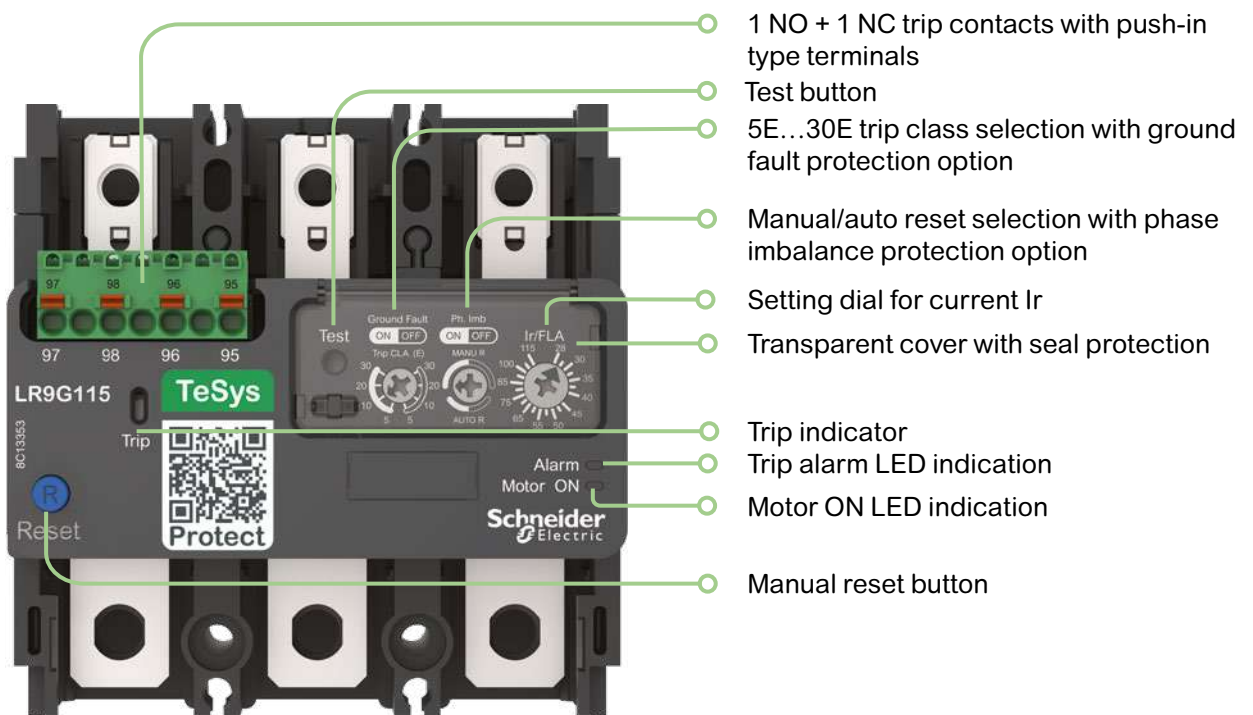
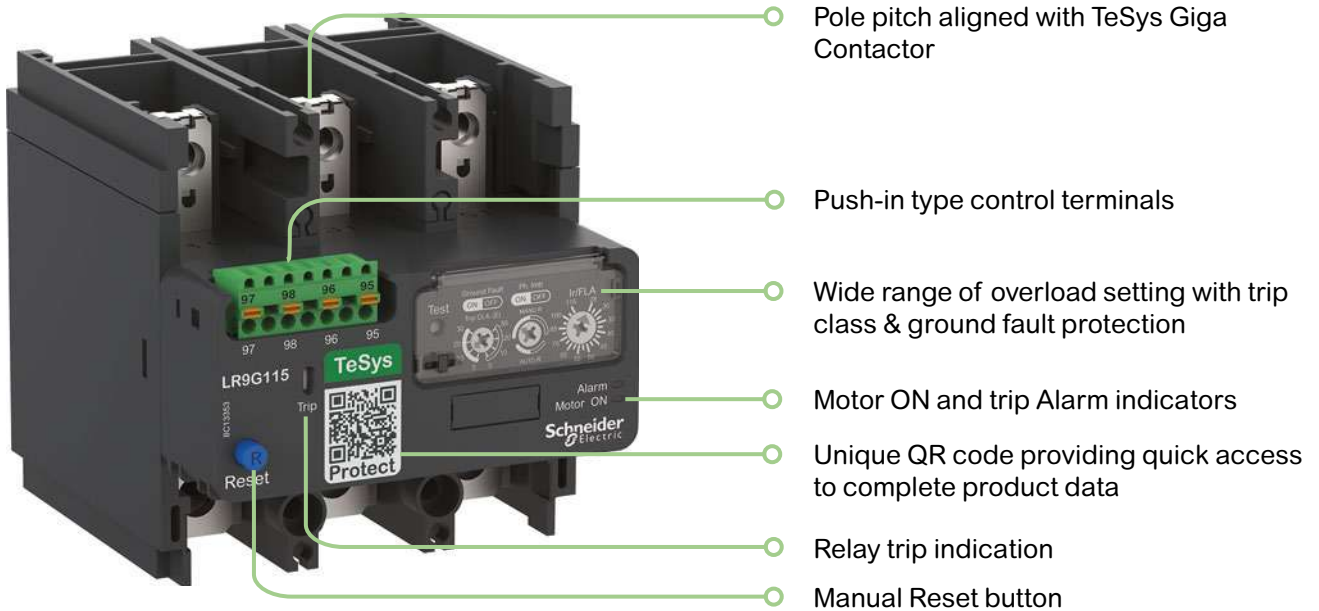
⁽²⁾ Terminal blocks are supplied with terminals protected against direct finger contact and screws in the open, "ready-to-tighten" position.

TeSys Protect

Giga Electronic overload relays

Introduction

> Intelligent design for greater advantages



Overload relays

TeSys Protect

Giga Electronic overload relays

Description

> Perfect selection for your motor protection

Range

- A comprehensive range of TeSys Giga Electronic overload relays in 3 sizes
- Direct mounting of relay with contactors saving in panel space and installation time



28...115 A and 57...225 A



125...500 A



160...630 A

Overload relays

- Advanced electronic monitoring with high accuracy
- Thermal compensation for ambient temperatures up to 60 °C
- Wide range of current settings, 0.25...1 I_r setting
- Direct and separately mountable to manage panel design
- Pole pitch alignment with contactors, enabling direct mounting
- Push-in terminals for quick and easy control wiring options
- 4 references covering the complete range means less inventory
- Manual and auto reset to suit your needs
- Multiple reset options: Manual, Automatic & Remote
- Protection against phase loss
- Selectable protection against imbalanced load
- Selectable protection against ground fault
- ON status and overload alarm signaling by LED
- TRIP indicator

Certifications

- Multiple standards
- International certifications

Trip class

- Selectable, from class 5E to class 30E to suit different application needs

> Product references – coding principle



LR9

Electronic
overload relay

G

TeSys Giga
series

630

Protection settings

115: 28...115 A
225: 57...225 A
500: 125...500 A
630: 160...630 A

TeSys Protect

Giga Electronic overload relays

Product references



Introduction:
p. B11/11 to B11/12

Characteristics:
p. B11/38 to B11/40

Dimensions:
p. B11/41



LR9G225



Direct mounting
with TeSys Giga Contactor



LA9G3650



LA9G82



LA9G3704

TeSys Giga Electronic overload relays

- Electronic overload relay
- Suitable for independent mounting or direct mounting with TeSys Giga contactors
- Ergonomic rotary switches for thermal and protection settings
- Trip class selection: 5E/10E/20E/30E
- Overload, phase imbalance, phase loss and ground fault protections
- Manual and auto reset options
- LED indicator for Motor ON and pre-trip alarm
- Thermal memory and compensation
- Push-in terminals for control connections

Relay setting range	Fuses to be used with selected relay		For direct mounting beneath contactor LC1G	Reference
	aM /gG/aR	kA		
A	A			
Class 5E...30E				
28...115	125 aM	100	LC1G115...225	LR9G115
57...225	250 aM	100	LC1G115...225	LR9G225
125...500	630 aM	100	LC1G265...500	LR9G500
	630 gG	80		
	630 aR	25		
160...630	800 aR	100	LC1G630	LR9G630
	800 aR	80		
	800 aR	25		

Overload relay accessories

Mounting and wiring accessories

Description	Reference
Mounting base for alignment of LR9G115-225 with LC1G115-225 ⁽²⁾	LA9G3650
Mounting base for alignment of LR9G500 with LC1G265-330 ⁽²⁾	LA9G3651
Mounting base for alignment of LR9G500 with LC1G400-500 ⁽²⁾	LA9G3652
Mounting base for alignment of LR9G630 with LC1G630-800 ⁽²⁾	LA9G3653
Push-in connection adapter	LA9G82

Front protection cover

Description	Compatible with contactors	Quantity	Reference
Front protection cover ⁽³⁾	LR9G115 / LR9G225	1	LA9G3704
	LR9G500	1	LA9G3705
	LR9G630	1	LA9G3706

- ⁽²⁾ Used for independent mounting of Overload Relay beneath contactor to align main power pole connections.
⁽³⁾ Used to cover main power connection terminals between contactor and overload with direct mounting option.

TeSys Protect

Giga Electronic overload relays

Product references



Introduction:
p. B11/11 to B11/12

Characteristics:
p. B11/38 to B11/40

Dimensions:
p. B11/41



PB121733.eps

LAD703●

Remote Reset control device

Description	Quantity	Reference
Remote electrical reset device ⁽¹⁾	1	LAD703● ⁽²⁾
Remote Reset function control by flexible cable (length = 0.5 m)	1	LAD7305

⁽¹⁾ The time for which the coil of remote electrical reset device LAD703● can remain energised depends on its rest time: 1 s pulse duration with 9 s rest time; 5 s pulse duration with 30 s rest time; 10 s pulse duration with 90 s rest time. Maximum pulse duration of 20 s with rest time of 300 s. Minimum pulse time: 200 ms.

⁽²⁾ Reference to be completed by adding the coil voltage code.



PB121732.eps

LAD7305

Standard control circuit voltages

Volts	24	110	220/230
~ 50/60 Hz	B	F	M
Consumption, inrush and sealed: < 100 VA			
---	B	F	M
Consumption, inrush and sealed: < 100 W.			

TeSys Protect

LR97, LT47 Electronic over current relays

Product references



Characteristics:
p. B11/42 to B11/45

Dimensions:
p. B11/46

Schemes:
p. B11/46

LR97D eps



LR97D015●●

LT47 eps



LT4706●●●

LR97D electronic over current relays

Relay setting range	Usable range (1)	For use with contactor (2)	Relay supply voltage	Reference (3)
A				
0.3...1.5	0.3...1.3	LC1 D09...D38	~ 200...240 V	LR97D015M7
			~ 100...120 V	LR97D015F7
			~/~ 24 V	LR97D015B
			~/~ 48 V	LR97D015E
1.2...7	1.2...6	LC1 D09...D38	~ 200...240 V	LR97D07M7
			~ 100...120 V	LR97D07F7
			~/~ 24 V	LR97D07B
			~/~ 48 V	LR97D07E
5...25	5...21	LC1 D09...D38	~ 200...240 V	LR97D25M7
			~ 100...120 V	LR97D25F7
			~/~ 24 V	LR97D25B
			~/~ 48 V	LR97D25E
20...38	20...34	LC1 D25...D38	~ 200...240 V	LR97D38M7
			~ 100...120 V	LR97D38F7
			~/~ 24 V	LR97D38B
			~/~ 48 V	LR97D38E

LT47 electronic over current relays

Relay setting range	Usable range (1)	Relay supply voltage	Reference
A			
LT47 relay with manual/electric reset			
0.5...6	0.5...5	~ 200...240 V	LT4706M7S
		~ 100...120 V	LT4706F7S
		~/~ 24 V	LT4706BS
3...30	3...25	~ 200...240 V	LT4730M7S
		~ 100...120 V	LT4730F7S
		~/~ 24 V	LT4730BS
5...60	5...50	~ 200...240 V	LT4760M7S
		~ 100...120 V	LT4760F7S
		~/~ 24 V	LT4760BS
LT47 relay with automatic reset			
0.5...6	0.5...5	~ 200...240 V	LT4706M7A
		~/~ 24 V	LT4706BA
3...30	3...25	~ 200...240 V	LT4730M7A
		~ 100...120 V	LT4730F7A
		~/~ 24 V	LT4730BA
5...60	5...50	~/~ 48 V	LT4730EA
		~ 200...240 V	LT4760M7A
		~/~ 24 V	LT4760BA

Accessories (to be ordered separately)

Description	For use with	Sold in lots of	Unit reference
Pre-wiring kits allowing connection of the LR97D relay N/C contact directly to the contactor	LC1 D09...D18	10	LAD7C1
	LC1 D25...D38	10	LAD7C2
Terminal block for clip-on mounting on 35 mm rail (AM1 DP200)	LR97D	1	LAD7B106

(1) To allow adjustment of the tripping sensitivity, see adjustment method (page B11/42).

(2) Please see chapter B8.

(3) If a pre-wiring kit is used, it is no longer possible to electrically wire signalling of tripped status.

Overload relays

TeSys Protect

Thermal and electronic overload relays

Product references

DPER01	LR3D07	LR7K0308	LRD08L6	LRD3365
DPER21	LR3D076	LR7K0310	LRD10	LRD33656
DPER32	LR3D07L	LR7K0312	LRD103	LRD340
DPER35	LR3D08	LR7K0314	LRD106	LRD3406
ER1XA2M	LR3D086	LR7K0316	LRD10L	LRD340L
LA7D03B	LR3D08L	LR97D015B	LRD10L6	LRD340L6
LA7D03F	LR3D10	LR97D015E	LRD12	LRD35
LA7D03M	LR3D106	LR97D015F7	LRD123	LRD350
LA7D03Q	LR3D10L	LR97D015M7	LRD126	LRD3503
LA7D1020	LR3D12	LR97D07B	LRD12L	LRD3506
LA7D305	LR3D126	LR97D07E	LRD14	LRD350L
LA7D3058	LR3D12L	LR97D07F7	LRD143	LRD356
LA7D3064	LR3D14	LR97D07M7	LRD146	LRD365
LA7D30646	LR3D146	LR97D25B	LRD14L	LRD3653
LA7D903	LR3D14L	LR97D25E	LRD16	LRD3656
LA7K0064	LR3D16	LR97D25F7	LRD163	LRD365L
LAD703B	LR3D166	LR97D25M7	LRD166	LRD365L6
LAD703E	LR3D16L	LR97D38B	LRD16L	LRD380
LAD703F	LR3D21	LR97D38E	LRD16L6	LRD3803
LAD703M	LR3D216	LR97D38F7	LRD21	LRD3806
LAD703Q	LR3D21L	LR97D38M7	LRD213	LRD4365
LAD7305	LR3D22	LR9G115	LRD216	LRD4367
LAD7B106	LR3D226	LR9G225	LRD21L	LRD4369
LAD7B205	LR3D22L	LR9G500	LRD21L6	LRD488C
LAD7C1	LR3D313	LR9G630	LRD22	LT4706BA
LAD7C2	LR3D318	LA9G3650	LRD223	LT4706BS
LR2D3522	LR3D32	LA9G3651	LRD226	LT4706F7S
LR2D3553	LR3D325	LA9G3652	LRD22L	LT4706M7A
LR2D3555	LR3D326	LA9G3653	LRD22L6	LT4706M7S
LR2D3557	LR3D32L	LA9G82	LRD313	LT4730BA
LR2D3559	LR3D332	LA9G3704	LRD313L	LT4730BS
LR2D3561	LR3D3322	LA9G3705	LRD318	LT4730EA
LR2D3563	LR3D3353	LA9G3706	LRD318L	LT4730F7A
LR2K0301	LR3D3355	LRD01	LRD32	LT4730F7S
LR2K0302	LR3D3363	LRD02	LRD325	LT4730M7A
LR2K0303	LR3D3365	LRD03	LRD3256	LT4730M7S
LR2K0304	LR3D340	LRD04	LRD325L	LT4760BA
LR2K0305	LR3D35	LRD046	LRD326	LT4760BS
LR2K0306	LR3D350	LRD04L6	LRD32L	LT4760ES
LR2K0307	LR3D3522	LRD05	LRD32L6	LT4760F7S
LR2K0308	LR3D3553	LRD056	LRD3312	LT4760M7A
LR2K0310	LR3D3555	LRD05L	LRD3314	LT4760M7S
LR2K0312	LR3D3557	LRD06	LRD332	
LR2K0314	LR3D3559	LRD063	LRD3322	
LR2K0316	LR3D3561	LRD066	LRD3323	
LR2K0321	LR3D3563	LRD06L	LRD332L	
LR2K0322	LR3D365	LRD07	LRD3353	
LR3D02	LR3D380	LRD073	LRD3353A66	
LR3D03	LR3D3803	LRD076	LRD3355	
LR3D04	LR3D3806	LRD07L	LRD3357	
LR3D046	LR3D4365	LRD07L6	LRD3357A66	
LR3D05	LR3D4367	LRD08	LRD3359	
LR3D056	LR3D4369	LRD083	LRD3359A66	
LR3D06	LR7K0305	LRD086	LRD3361	
LR3D066	LR7K0306	LRD08L	LRD3363	

Technical Data for Designers

Contents

Motor and machine protection.....	B11/18 to B11/23
TeSys LRK - thermal overload protection:	
> characteristics.....	B11/24 to B11/25
> dimensions and schemes	B11/26
Deca - thermal overload protection:	
> characteristics.....	B11/27 to B11/30
> dimensions.....	B11/31 to B11/33
> schemes.....	B11/33
Deca - electronic thermal overload protection:	
> characteristics.....	B11/34 to B11/35
> dimensions.....	B11/36
> schemes.....	B11/37
Giga - electronic overload relays:	
> characteristics.....	B11/38 to B11/40
> dimensions and diagram.....	B11/41
LR97, LT47 - electronic over current relays:	
> characteristics.....	B11/42 to B11/45
> dimensions and schemes	B11/46

Introduction

Exceeding the operating limits of an electric motor will lead, eventually, not only to destruction of the motor itself but also of the mechanisms it drives.

This type of load can be the cause of electrical or mechanical faults.

■ **Electrical faults:**

- overvoltage, voltage drop, imbalance and phase failure which cause variations in the current drawn,
- short-circuits which can cause the current to reach levels capable of destroying the load.

■ **Mechanical faults:**

- locked rotor,
- brief or prolonged overload which leads to an increase in the current drawn by the motor, and therefore overheating.

The cost of these faults must take into account loss of production, loss of raw materials, repair of the production tool, poor quality of production and delays in delivery.

These faults can also have dramatic consequences on the safety of persons in direct or indirect contact with the motor.

To prevent these faults, protection measures are necessary. They make it possible to isolate the equipment to be protected from the mains supply by measuring variations in electrical values (voltage, current, etc.).

Each motor starter must therefore have:

■ **short-circuit protection**, to detect and break, as quickly as possible, abnormal currents generally greater than 10 times the rated current (I_n).

■ **overload protection**, to detect increases in current up to about $10 I_n$ and switch off the starter before overheating of the motor and conductors damages the insulation.

This protection is provided by specific devices such as fuses, circuit breakers and thermal overload relays, or by more integrated devices offering several types of protection.

Causes, effects and consequences of various faults

There are two types of fault:

- Internal faults within the motor
- External faults: these are located outside the electric motor but their consequences can lead to damage inside the motor.

Faults	Causes	Effects	Consequences on the motor and on the machine
Short-circuit	Contact between several phases, or between one phase and neutral or between several turns of the same phase.	<ul style="list-style-type: none"> ■ Current peak ■ Electrodynamical forces on the conductors 	Destruction of windings
Overvoltage	<ul style="list-style-type: none"> ■ Lightning ■ Electrostatic discharge ■ Operation 	Dielectric breakdown in the windings	Destruction of the windings due to loss of insulation
Phase imbalance and phase failure	<ul style="list-style-type: none"> ■ Opening of a phase ■ Single-phase load upstream of the motor ■ Short-circuit between the turns of the same winding 	<ul style="list-style-type: none"> ■ Reduction of usable torque, efficiency and speed ■ Increase in losses ■ Starting impossible if phase failure 	Overheating ⁽¹⁾
High starting frequency	<ul style="list-style-type: none"> ■ Failure of the automation system ■ Too many manual control operations ■ Numerous fault trips 	High stator and rotor temperature rise due to the frequent start current	Overheating ⁽¹⁾ Consequences on the process
Voltage variations	<ul style="list-style-type: none"> ■ Instability of the mains voltage ■ Connection of heavy loads 	<ul style="list-style-type: none"> ■ Reduction of usable torque ■ Increase in losses 	Overheating ⁽¹⁾
Harmonics	■ Pollution of the mains supply by variable speed drives, inverters, etc...	<ul style="list-style-type: none"> ■ Reduction of usable torque ■ Increase in losses 	Overheating ⁽¹⁾
Long starting time	<ul style="list-style-type: none"> ■ Resistive torque too high (load too heavy) ■ Voltage drop 	Increase in starting time	Overheating ⁽¹⁾
Jamming	<ul style="list-style-type: none"> ■ Mechanical problem (crusher) ■ Seizures 	Overcurrent	Overheating ⁽¹⁾ Consequences on the process
No-load running	<ul style="list-style-type: none"> ■ Pump running empty ■ Mechanical break in drive to the load 	Drop in current drawn	Consequences on the process
Frequency fluctuations	<ul style="list-style-type: none"> ■ Overload of a supply powered by limited independent sources ■ Faulty alternator speed regulator 	<ul style="list-style-type: none"> ■ Increase in losses ■ Interferes with synchronous devices (clock, recorder, ...) 	–
Overload	<ul style="list-style-type: none"> ■ Increase in resistive torque ■ Voltage drop ■ Drop in power factor 	Increase in current consumption	Overheating ⁽¹⁾
Loss of machine excitation	<ul style="list-style-type: none"> ■ Significant drop in excitation current ■ Break in rotor winding 	<ul style="list-style-type: none"> ■ Increase in active power ■ Drop in power factor 	Significant overheating of rotor and cage
Phase-Earth fault	<ul style="list-style-type: none"> ■ Accidental Phase-Earth contacts ■ Accidental Phase-machine casing contacts (casing connected to earth) 	<ul style="list-style-type: none"> ■ Overvoltage developed in the mains supply ■ Rise in earth potential (safety of persons) 	Consequences on safety of persons

⁽¹⁾ Then, in the longer or shorter term, depending on the seriousness of the fault and/or its frequency, short-circuit and destruction of the windings.

Protection functions

Short-circuit protection

General

A short-circuit results in a very rapid rise in current which can reach several hundred times the value of the operational current. The consequences of a short-circuit are dangerous to both equipment and persons. It is therefore imperative to use protection devices to detect the fault and very quickly break the circuit.

Two types of protection are commonly used:

- fuses (cutout) which break the circuit by melting, which then requires their replacement,
 - magnetic trip circuit breakers, often more simply called "magnetic circuit breakers", which only require re-setting to put them back into service.
- Short-circuit protection can also be built-into multifunction devices such as motor circuit breakers and contactor-breakers.

The main characteristics of short-circuit protection devices are:

- their breaking capacity: this is the highest prospective short-circuit current value that a protection device can break at a given voltage.
- their making capacity: this is the highest current value that the protection device can make at its rated voltage in specified conditions.

The making capacity is equal to k times the breaking capacity.

Fuses (cutouts)

Fuses provide individual phase protection (single-pole), with a high breaking capacity in a compact size:

- mounted either in fuse carriers,
- or in isolators, replacing the original links or shunt bars.

For motor protection, aM type fuses are used. Their design characteristics allow them to conduct the high magnetising currents that occur when motors are switched on. They are therefore unsuitable for overload protection (unlike gG type fuses). This is why an overload relay must be included in the motor power supply circuit.

Magnetic circuit breakers

These circuit breakers protect installations against short-circuits, within the limit of their breaking capacity.

Magnetic circuit breakers provide omnipole breaking as standard.

For relatively low short-circuit currents, the operation of a circuit breaker is faster than that of fuses.

This protection conforms to standard IEC 60947-2.

The thermal and electrodynamic effects are also limited, therefore ensuring better protection of cables and equipment.



PE111416.eps

Switch disconnectors
Ref. GS2N3



PE121671.eps

Deca Magnetic
circuit breaker
Ref. GV2L



PE114609.eps

Deca Magnetic
circuit breaker
Ref. GV4LE

TeSys Protect

Overload relays

Motor and machine protection



Deca Thermal overload relay
Ref. LRD08



Current measurement relay
Ref. RM4JA

Protection functions

Overload protection

General

An overload condition is the most frequently encountered fault. The symptoms are a rise in the current drawn by the motor and thermal effects. A rapid return to normal operating conditions is important. The actual operating conditions (ambient temperature, operating altitude and type of standard duty) are essential to determine the operating values of the motor (power, current) and to be able to select effective overload protection. These operational values are given by the motor manufacturer.

According to the level required, protection can be provided by:

- overload relays and thermal overload relays (bi-metallic or electronic type) which protect motors in the event of:
 - overload, by monitoring the current drawn by each phase,
 - phase imbalance or failure, by their differential mechanism.
- overtorque relays,
- multifunction relays.

Overload relays

These relays protect motors against overload. They must allow the temporary overload that occurs on starting and must only trip if the starting time is abnormally long.

The overload relay will be selected according to the length of the starting time (tripping class) and the motor rating.

These relays have a thermal memory (except for certain electronic overload relays, indicated by their manufacturers) and can be connected:

- either in series with the load,
- or to current transformers placed in series with the load.

Bi-metallic thermal overload relays

Combined with a contactor, these relays protect the line and the equipment against small and prolonged overloads. They must be protected against strong overcurrent by a circuit breaker or fuses.

These relays may be used on an a.c. or d.c. system and are generally:

- 3-pole,
- compensated, i.e. insensitive to ambient temperature variations,
- with manual or automatic reset,
- graduated with a "motor FLC" scale: allowing direct setting to the full load current as shown on the motor rating plate.

They can also be sensitive to phase failure: this is known as 'differential'. This function conforms to standards IEC 60947-4-1 and 60947-6-2.

This type of relay is extremely reliable and is a relatively low cost device.

Electronic thermal overload relays

Electronic thermal overload relays have the advantage of electronics which allow a more complex thermal image of the motor to be created.

They can be combined with products having complementary functions, such as:

- temperature sensing via PTC probes,
- protection against jamming and overtorque,
- protection against phase reversal,
- earth fault protection,
- protection against no-load running,
- alarm function.

Protection functions *(continued)*

Overload protection *(continued)*

With direct sensing of the stator windings, these relays can be used to protect motors against:

- overload,
- a rise in ambient temperature,
- a ventilation circuit fault,
- a high starting frequency,
- mechanical shocks, etc.

Overload (or overtorque) relays

These relays protect the drive line in the event of a locked rotor, seizure or mechanical shocks. This is an additional protection.

Unlike thermal overload relays, these relays do not have a thermal memory. They have definite time characteristics (adjustable current threshold and time delay).

The overtorque relay can be used as overload protection for motors with long starting times or very frequent starting (for example, lifting hoists).

Multifunction relays

■ Overcurrent relays are limited when it is necessary to take into account problems associated with voltage, temperature or special applications. New production or maintenance management needs have prompted manufacturers to offer products which provide not only adaptable protection, but also complete management of the motor and its load.

They incorporate:

- current and voltage sensors (T controllers),
- hybrid analog and digital electronic technology,
- the use of communication buses for data exchange and control,
- powerful motor modelling algorithms,
- integrated application programs whose parameters can be set.

These products make it possible to reduce installation and operating costs by reducing maintenance and downtime.

T controllers:

The multifunction relay is separate from the power line and incorporates inputs and outputs. It can be used in conjunction with a contactor up to 810 A.



T controller
Ref. LTMR08MBD

Protection relay selection table				
	Motor protection	Machine protection	Motor and machine protection	Motor, machine and load protection
Relay type	Thermal overload relay Ref. LR2K, LRD, LRD3, LR9D ⁽¹⁾ , LR9G	Overtorque relays Ref. LR97D, LT47	T controller Ref. LTMR	TeSys island Buscoupler Ref. TPRBC**, Starters Ref. TPRS-009 to TPRS-080
Causes of overheating	⁽²⁾	⁽²⁾	⁽³⁾	⁽³⁾
Slight overload	■	■	■	■
Locked rotor	■	■	■	■
No-load running	□	□	■	■
Supply phase failure	■	LR97D	■	■
Ventilation fault	□	□	With probes	With probes
Abnormal temperature rise	■	□	With probes	With probes
Shaft bearing seizure	■	■	With probes	With probes
Insulation fault	■	□	■	■
Protracted starting time	■	■	■	■
Severe duty	■	■	With probes	With probes
Voltage variation	■	■	■	■
Frequency fluctuations	■	□	■	■
Loss of machine excitation	□	□	■	■

- Ideally suited
- Possible solution
- Not suitable (no protection)

⁽¹⁾ For motor circuit breaker ref. GV2ME.
⁽²⁾ Protection based on current.
⁽³⁾ Protection based on current and voltage.

TeSys Protect

LRK Thermal overload relay

Characteristics



References:
p. B11/2 to B11/3

Dimensions:
p. B11/26

Schemes:
p. B11/26

Environment															
Conforming to standards		IEC/EN 60947-4-1, IEC/EN 60947-5-1, UL 60947-4-1, CSA C22.2 n° 60947-4-1, UL 60947-5-1, CSA C22.2 n° 60947-5-1, GB/T14048.													
Product certifications		UL, CSA, CCC, EAC, CB, UKCA certification													
Degree of protection	Conforming to IEC 60529		Protection against direct finger contact												
Ambient air temperature around the device	Storage	°C	-40...+70												
	For normal operation (IEC 60947)	°C	-20...+55 (without derating)												
	Operating limit	°C	-30...+60 (with derating) ⁽¹⁾												
Maximum operating altitude	Without derating	m	2000												
Operating positions		<div style="display: flex; justify-content: space-around;"> <div style="text-align: center;"> <p>Vertical axis</p> <p>Without derating</p> </div> <div style="text-align: center;"> <p>Horizontal axis</p> <p>With derating ⁽¹⁾</p> </div> </div>													
Flame resistance	Conforming to IEC 60695-2-11	°C	850												
Shock resistance, hot state (1/2 sine wave, 11 ms)	Conforming to IEC 60068-2-27, N/C contact		10 gn												
	Conforming to IEC 60068-2-27, N/O contact		10 gn												
Vibration resistance, hot state 5 to 300 Hz	Conforming to IEC 60068-2-6, N/C contact		2 gn												
	Conforming to IEC 60068-2-6, N/O contact		2 gn												
Cabling Screw clamp terminals	Solid cable	mm ²	<table border="1"> <thead> <tr> <th>Minimum</th> <th>Maximum</th> <th>Maximum to IEC 60947</th> </tr> </thead> <tbody> <tr> <td>1 x 1.5</td> <td>2 x 4</td> <td>1 x 4 + 1 x 2.5</td> </tr> <tr> <td>1 x 0.75</td> <td>2 x 4</td> <td>2 x 2.5</td> </tr> <tr> <td>1 x 0.34</td> <td>1 x 1.5 + 1 x 2.5</td> <td>1 x 1.5 + 1 x 2.5</td> </tr> </tbody> </table>	Minimum	Maximum	Maximum to IEC 60947	1 x 1.5	2 x 4	1 x 4 + 1 x 2.5	1 x 0.75	2 x 4	2 x 2.5	1 x 0.34	1 x 1.5 + 1 x 2.5	1 x 1.5 + 1 x 2.5
	Minimum	Maximum	Maximum to IEC 60947												
	1 x 1.5	2 x 4	1 x 4 + 1 x 2.5												
1 x 0.75	2 x 4	2 x 2.5													
1 x 0.34	1 x 1.5 + 1 x 2.5	1 x 1.5 + 1 x 2.5													
Flexible cable without cable end	mm ²														
Flexible cable with cable end	mm ²														
Tightening torque	Phillips head n° 2 - Ø6	N.m	0.8												
Mounting			Directly under the contactor or reversing contactor												
Connections			<p>Made automatically when mounted under the contactor, as follows:</p> <ul style="list-style-type: none"> ■ contactor terminal A2 connected to overload relay terminal 96 on all products, ■ contactor terminal 14 connected to overload relay terminal 95 on products with 3 P + N/O. <p>When using 3 P + N/C, or 4 P contactors, or the N/O auxiliary contact marked 13-14, at a voltage other than the coil voltage, break off the link marked 14.</p>												

Auxiliary contact characteristics			
Number of contacts		1 N/C + 1 N/O	
Conventional thermal current		A	6
Short-circuit protection	Conforming to IEC 60947 gG fuse or circuit breaker GB2CB●●	A	6 max.
Maximum power of the controlled contactor coils (sealed) (Occasional operating cycles of contact 95-96)	a.c.	V	24 48 110 220/230 400 415/440 600/690
		VA	100 200 400 600 600 600 600
	d.c.	V	24 48 110 220 250 – –
		W	100 100 50 45 35 – –
Maximum operational voltage	a.c., category AC-15	V	690
	d.c., category DC-13	V	250

(1) Please consult your Regional Sales Office.
(2) Very low safety voltage.

TeSys Protect

LRK Thermal overload relays

Characteristics



References:
p. B11/2 to B11/3

Dimensions:
p. B11/26

Schemes:
p. B11/26

Electrical characteristics of the power circuit

Rated operational voltage (Ue)	Up to	V	690
Rated insulation voltage (Ui)	Conforming to IEC 60947	V	690
	Conforming to UL 60947-4-1, CSA C22.2 n° 60947-4-1	V	600
Rated impulse withstand voltage (Uimp)		kV	6
Frequency limits of the operational current		Hz	Up to 400
Power dissipated per pole		W	2

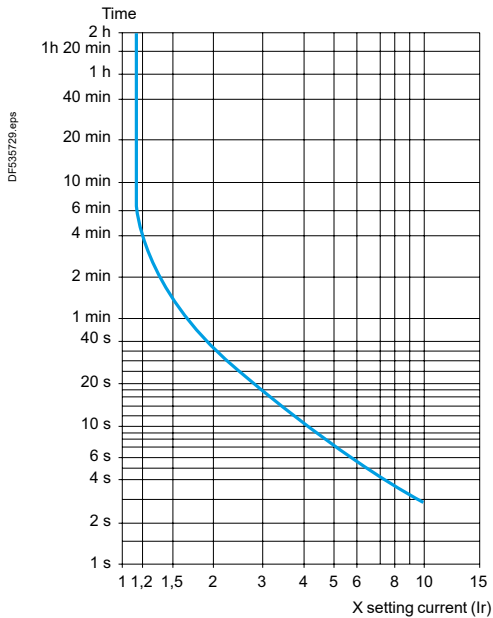
Operating characteristics

Tripping threshold	Conforming to IEC 60947-4-1	A	1.14 ±0.06 I _r
Sensitivity to phase failure	Conforming to IEC 60947		Yes
Reset	Manual or automatic		Selected by means of a lockable and sealable switch on the front of the relay
Signalling	On front of relay		Trip indicator
Reset-Stop function			Pressing the Reset-Stop button: - actuates the N/C contact - has no effect on the N/O contact
Test function	By pushbutton		Pressing the Test button enables: - checking of the control circuit wiring - simulation of overload tripping (actuation of both N/C and N/O contacts, and of the trip indicator)
Short-circuit protection and coordination			See pages A5/66 and A5/84

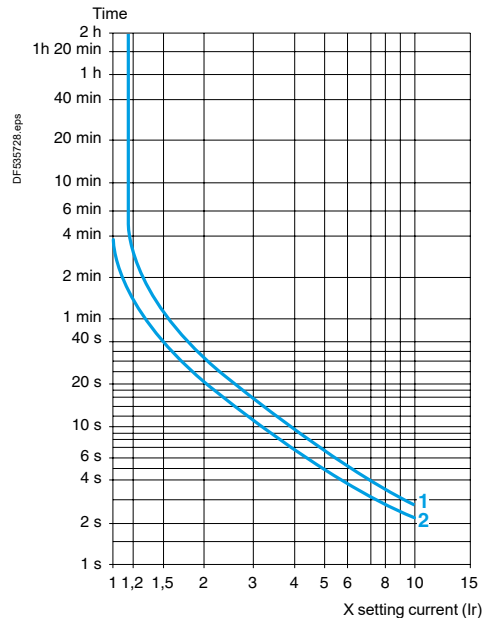
Tripping curves

Average operating time related to multiples of the current setting (Class 10 A)

Balanced 3-phase operation, from cold state



Balanced operation with 2 phases only, from cold state



Setting: at lower end of scale

Setting: at upper end of scale

TeSys Protect

LRK Thermal overload relays

Dimensions, mounting, schemes



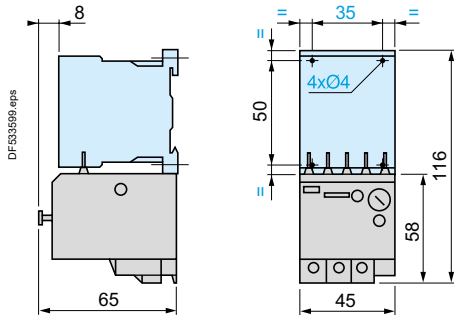
References:
p. B11/2 to B11/3

Characteristics:
p. B11/24 to B11/25

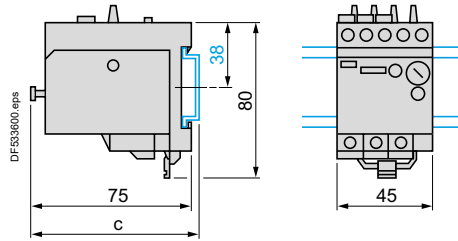
Dimensions, mounting

LR2K

Direct mounting beneath the contactor



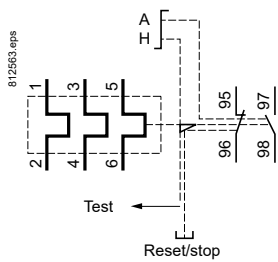
Separate mounting with terminal block LA7K0064 on 35 mm rail (AM1DP200 or AM1DE200)



Model	c
AM1	
DP200	78.5
DE200	86

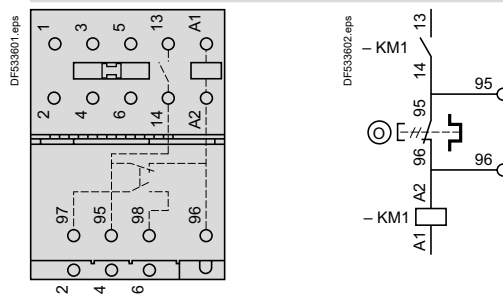
Schemes

LR2K

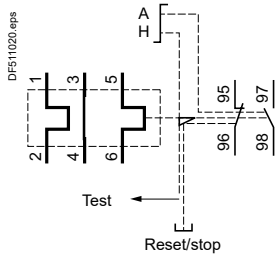


LR2K + LC0K

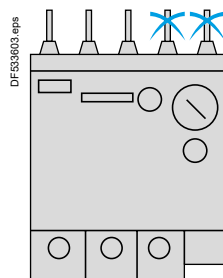
Pre-wiring scheme



LR7K



Note: If pre-wiring is not required, break off the 2 links located on the thermal overload relay.



TeSys Protect

Deca Thermal overload relays

Characteristics



References:
p. B11/4 to B11/9

Dimensions, mounting:
p. B11/31 to B11/33

Schemes:
p. B11/33



PB121664.tif

Ref. LRD08



PB121670_R.eps

Ref. LRD05L...32L



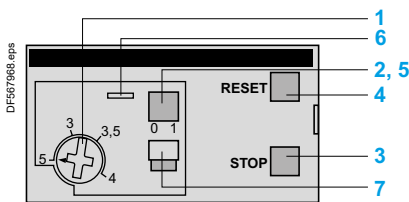
PB123810.eps

Ref. LRD365



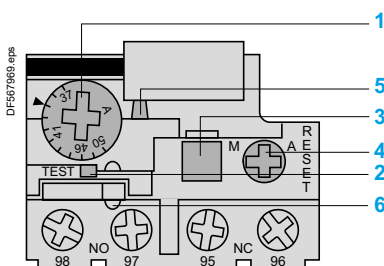
PB123837.tif

Ref. LRD33●●



DF507988.eps

Ref. LRD01...35, LRD05L...32L
LRD313...LRD365



DF507988.eps

Ref. LRD3361...4369, LR2 D3561...3563

Introduction

3-pole Deca thermal overload relays are designed to protect a.c. circuits and motors against:

- overloads
- phase failure
- excessively long starting times
- prolonged stalled rotor condition.

Power connection

Product references LRD01 to LRD35

LRD01 to 35 relays are designed for connection by screw clamp terminals. They can be supplied for connection by spring terminals or by lugs ⁽¹⁾.

Product references LRD04 to LRD32L

These relays are designed for connection by screw clamp terminals. They can be supplied for connection by lugs ⁽¹⁾.

Product references LRD313 to LRD380

These relays are for connection by BTR screw connectors (hexagon socket head). The screws are tightened by means of a size 4, insulated Allen key.

This type of connection uses the **EverLink**[®] system with creep compensation ⁽²⁾ (Schneider Electric patent).

This technique makes it possible to achieve accurate and durable tightening torque.

These relays are also available for connection by lugs ⁽¹⁾.

Product references LRD3361 to 4369, LR2D3561 to D3563

Product references LRD3361 to 4369 and LR2D3561 to D3563 relays are designed for connection by screw clamp terminals. They can be supplied for connection by lugs ⁽¹⁾.

Description

Deca 3-pole thermal overload relays are designed to protect a.c. circuits and motors against overloads, phase failure, long starting times and prolonged stalling of the motor.

- 1 Adjustment dial Ir.
- 2 Test button.
Operation of the Test button allows:
 - checking of control circuit wiring,
 - simulation of relay tripping (actuates both the N/O and N/C contacts).
- 3 Stop button. Actuates the N/C contact; does not affect the N/O contact.
- 4 Reset button.
- 5 Trip indicator.
- 6 Setting locked by sealing the cover.
- 7 Selector for manual or automatic reset.

Product references LRD01 to 35, LRD05L to 32L and LRD313 to LRD380 relays are supplied with the selector in the manual position, protected by a cover. Deliberate action is required to move it to the automatic position.

⁽¹⁾ Connection by lugs meets the requirements of certain Asian markets and is suitable for applications subject to strong vibration, such as railway transport.

⁽²⁾ Creep: normal crushing phenomenon of copper conductors, that is accentuated over time.

TeSys Protect

Deca Thermal overload relays

Characteristics



References:
p. B11/4 to B11/9

Dimensions, mounting:
p. B11/31 to B11/33

Schemes:
p. B11/33

Environment			
Conforming to standards			IEC/EN 60947-4-1, IEC/EN 60947-5-1, UL 60947-4-1, CSA C22.2 n° 60947-4-1 UL 60947-5-1, CSA C22.2 n° 60947-5-1, EN 50495 ⁽¹⁾ , GB/T 14048.4, GB/T 14048.5
Product certifications			UL ⁽²⁾ , CSA ⁽²⁾ , UKCA IEC, CCC ⁽³⁾ , EAC, ATEX ⁽¹⁾ ABS, BV ⁽⁴⁾ , DNV-GL ⁽⁵⁾ , LRoS ⁽⁶⁾ , RINA ⁽⁷⁾ , RMRS ⁽⁸⁾ , EU RO Mutual recognition ⁽⁹⁾
Degree of protection (front face)	Conforming to IEC 60529		Protection against direct finger contact IP20
Climatic withstand			Conforming to IACS E10
Ambient air temperature around the device	Storage	°C	-60...+70
	Normal operation, without derating (IEC 60947-4-1)	°C	-20...+60
	Minimum /maximum operating temperatures (with derating)	°C	-20...+70
Operating positions without derating	In relation to normal vertical mounting plane		Any position. When mounting on a vertical rail, use a stop.
Flame resistance	Conforming to IEC 60695-2-11	°C	850
Shock resistance	Permissible acceleration conforming to IEC 60068-2-27		15 gn - 11 ms
Vibration resistance ⁽¹⁰⁾	Permissible acceleration conforming to IEC 60068-2-6		6 gn except LRD05L...LRD32L: 3 gn
Dielectric strength at 50 Hz	Conforming to IEC 60947-1	kV	1.89 (product Ui 690 V), 2.2 (product Ui 1000 V)
Impulse withstand voltage	Conforming to IEC 60947-1	kV	6

Electrical characteristics of power circuit										
Relay type		LRD01 ...16, LR3D02 ...16	LRD05L ...32L	LRD21 ...35, LR3D21 ...35	LRD313 ...365 LR3D 313 ...38	LRD313L ...365L	LRD3322 ...33696 LR3D3322 ... 33696	LR2D 3522 ... 3563	LRD 4365 ... 4369	
Tripping class	Conforming to UL 60947-4-1, IEC 60947-4-1	10 A	20	10 A	10 A	20	10 A	20	10 A	
Rated insulation voltage (Ui)	Conforming to IEC 60947-4-1	V						690		1000 ⁽¹¹⁾
	Conforming to UL, CSA	V						600		600 except LRD 4369
Rated impulse withstand voltage (Uimp)		kV								6
Rated operational voltage (Ue)		V								690
Frequency limits	Of the operating current	Hz								0...400
Setting range	Depending on model	A	0.1...13	0.63...32	12...38	9...80	9...65	17...140	17...80	80...140

Auxiliary contact characteristics									
Conventional thermal current		A	5						
Max. sealed consumption of the operating coils of controlled contactors (Occasional operating cycles of contact 95-96)	a.c. supply, AC-15	V	120	240	380	480	500	600	
	d.c. supply, DC-13	A	3	1.5	0.95	0.75	0.72	0.12	
Protection against short-circuits	By gG, BS fuses. Maximum rating or by GB2	V	125	250	440				
		A	0.22	0.1	0.06				
Protection against short-circuits	By gG, BS fuses. Maximum rating or by GB2	A	4						

(1) For relays LRD01 to LRD380, LRD3322 to LRD3365, LRD04L to LRD32L, LRD4365 to LRD4369, LRD33656 to LRD33696.

(2) Except for relays LRD4369.

(3) CCC: Except for LRD/LR3D04L to LRD/LR3D32L, LR2D3522 to LR2D3563.

(4) BV: except for LRD/LR3D04L to LRD/LR3D32L, LRD/LR3D313 to LRD/LR3D380, LR2D3522 to LR2D3563.

(5) DNV-GL: except for LRD04L to LRD32L.

(6) LRoS: except for LRD/LR3D04L to LRD/LR3D32L, LRD/LR3D380.

(7) RINA: for LRD/LR3D01 to LRD/LR3D35

(8) RMRS: for LRD/LR3D313 to LRD/LR3D380.

(9) EU RO Mutual Recognition: for LRD/LR3D313 to LRD/LR3D380, LRD313L to LRD365L.

(10) In case of vibration above 3gn on Deca Advanced contactor directly mounted with LRD, it is recommended do mount the devices separately by screws on metal plate.

(11) 750 V for LRD33656, LRD33676, LRD33696.

TeSys Protect

Deca Thermal overload relays

Characteristics



References:
p. B11/4 to B11/9

Dimensions, mounting:
p. B11/31 to B11/33

Schemes:
p. B11/33

Power circuit connection characteristics				LRD01 ...16, LR3D01 ...16	LRD04L ...21L	LRD22L ...32L	LRD21 ...35, LR3D21 ...35	LRD 313 ...365 LR3D 313 ...380	LRD 313L ...365L	LRD 3322 ...33696 LR3D 3322 ... 33696	LR2D 3522 ...3563	LRD 4365 ...4369
Connection to screw clamp terminals												
Flexible cable	1 conductor	mm ²	1.5...10				1.5...10	1...35	1...35	4...35		4...50
Flexible cable without cable end												
Flexible cable with cable end	1 conductor	mm ²	1...4		1...6		1...6 except LRD21: 1...4	1...35	1...35	4...35		4...35
Solid cable without cable end	1 conductor	mm ²	1...6		1.5...10		1.5/10 except LRD21: 1/6	1...35	1...35	4...35		4...50
Tightening torque		N.m	1.7		2.5		2.5	1...25: 5 35: 8	1...25: 5 35: 8	9	9	9
Connection to spring terminals (Min/max c.s.a.) (except LRD04L...LRD32L)												
Flexible cable without cable end	1 conductor	mm ²	1.5...4	-	-		1.5...4	-	-	-	-	-
Flexible cable with cable end	1 conductor	mm ²	1.5...4	-	-		1.5...4	-	-	-	-	-
Connection by bars or lugs												
Relay type			LRD016...166 LRD04L6 ... 16L6	LRD216...356 LRD21L6 ... 32L6	LRD3136 ... 3806	LRD313L6 ... 365L6	LRD3322A66 ... 3365A66					
Pitch	Without spreaders	mm	14.5	17.5	17.5	17.5	21.5					
Bars or cables with lugs	e	mm	≤ 6	≤ 6	≤ 6	≤ 6	≤ 6					
	L	mm	≤ 8	≤ 8	≤ 13.5	≤ 13.5	≤ 16					
	L'	mm	≤ 9.5	≤ 9.5	≤ 16.5	≤ 16.5	≤ 16					
	d		≤ 7	≤ 7	≤ 10	≤ 10	≤ 12					
Screws			M4	M4	M6	M6	M10					
	Tightening torque	N.m	1.7	2.5	6	6	11.3					

Control circuit connection characteristics				LRD016...166 LRD04L6 ... 16L6	LRD216...356 LRD21L6 ... 32L6	LRD3136 ... 3806	LRD313L6 ... 365L6	LRD3322A66 ... 3365A66				
Connection to screw clamp terminals or spring terminals												
Bare cables												
Relay type			LRD016...16, LR3D01 ...16	LRD04L ...21L	LRD22L ...32L	LRD21 ...35, LR3D21 ...35	LRD 313 ...365 LR3D 313 ...380	LRD 313L ...365L	LRD3322 ...33696 LR3D 3322 ... 33696	LR2D 3522 ...3563	LRD 4365 ...4369	
Connection to screw clamp terminals ⁽¹⁾	Solid cable without cable end	mm ²	2 x 1...2.5									
	Flexible cable without cable end	mm ²	2 x 1...2.5									
	Flexible cable with cable end	mm ²	2 x 1...2.5									
Tightening torque		N.m	1.7									
Connection to spring terminals (Min/max c.s.a.) (except LRD04L...LRD32L)	Solid cable	mm ²	1...2.5	-		1...2.5						
	Flexible cable without cable end	mm ²	1...2.5	-		1...2.5						

⁽¹⁾ For relays LRD313 to 380: BTR hexagon socket head screws, EverLink® system.
In accordance with local electrical wiring regulations, a size 4 insulated Allen key must be used (reference LADALLEN4, see page B11/21).

TeSys Protect

Deca Thermal overload relays

Characteristics



References:
p. B11/4 to B11/9

Dimensions, mounting:
p. B11/31 to B11/33

Schemes:
p. B11/33

Operating characteristics

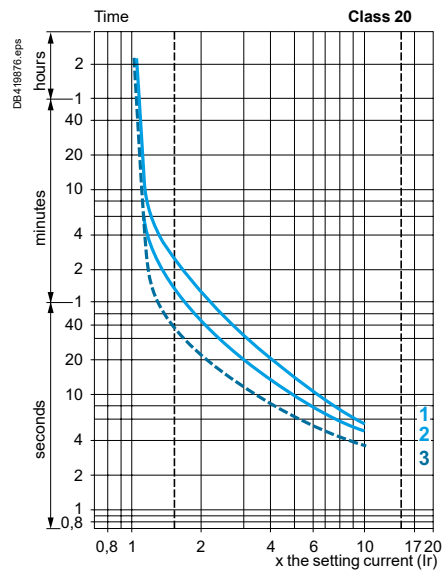
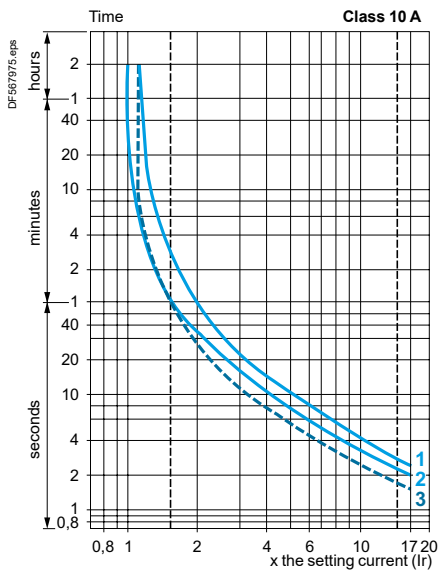
Relay type	LRD01 ...16, LR3D02 ...16	LRD04L... LRD32L	LRD21 ...35, LR3D21 ...35	LRD313 ...365 LR3D 313 ...380	LRD313L ...365L	LRD3322 ...33696 LR3D3322 ... 33696	LR2D 3522 ... 3563	LRD 4365 ...4369
Temperature compensation	°C -20...+60							
Tripping threshold	Conforming to IEC 60947-4-1		°A 1.14 ±0.06 I _r					
Sensitivity to phase failure	Tripping current 130 % of I _r on two phases, the third phase at 0.							

Tripping curves

Average operating time related to multiples of the setting current

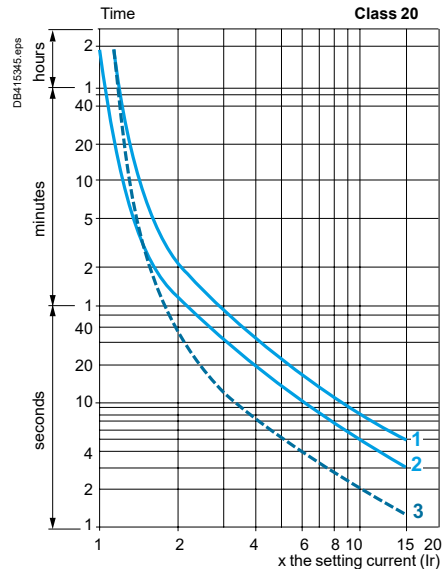
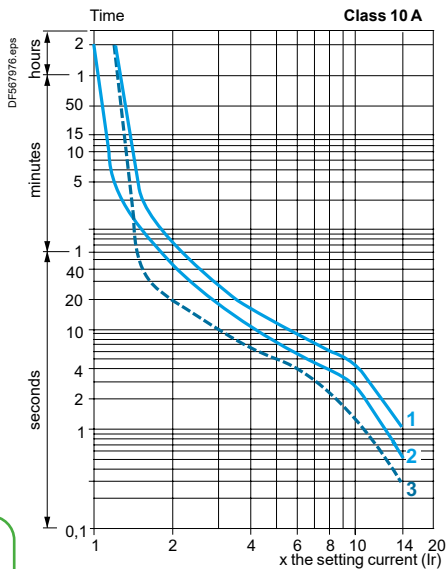
LRD01 to LRD35, LR2D and LRD3322 to LRD4369

LRD04L to LRD32L and LR2D3522 to LR2D3563



LRD313 to LRD380

LRD313L to LRD365L



Overload relays

- 1 Balanced operation, 3-phase, without prior current flow (cold state).
- 2 2-phase operation, without prior current flow (cold state).
- 3 Balanced operation, 3-phase, after a long period at the set current (hot state).

TeSys Protect

Deca Thermal overload relays

Dimensions, mounting



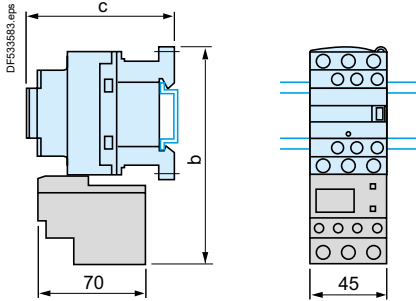
References:
p. B11/4 to B11/9

Characteristics:
p. B11/27 to B11/30

Schemes:
p. B11/33

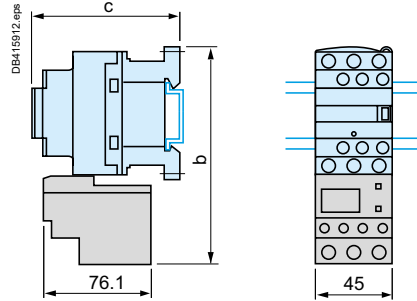
LRD01...35 ⁽¹⁾

Direct mounting beneath contactors with screw clamp connections



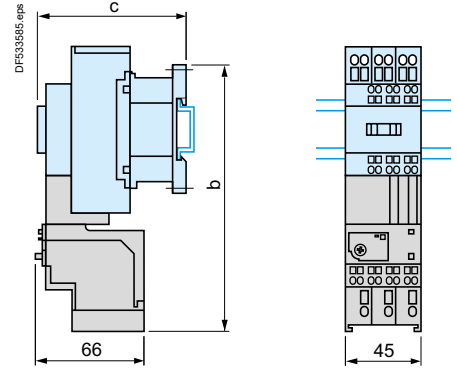
LRD04...32L ⁽¹⁾

Direct mounting beneath contactors with screw clamp connections



LRD063...223

Direct mounting beneath contactors with spring terminal connections



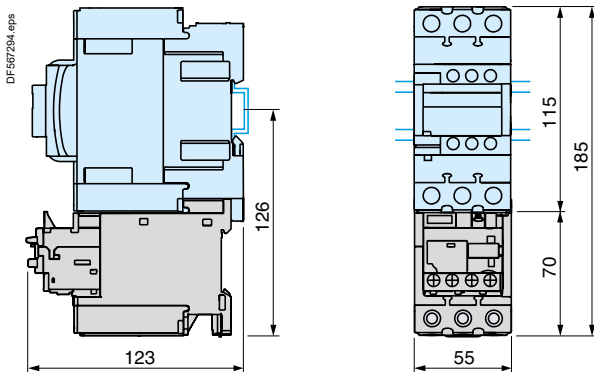
LC1	D09...D18	D25...D38
b	123	137
c	See pages B11/28 and B8/108	

LC1	D09...D18	D25...D38
b	123	137
c	See pages B11/28 and B8/108	

LC1	D093...D253
b	168
c	See pages B11/28 and B8/108

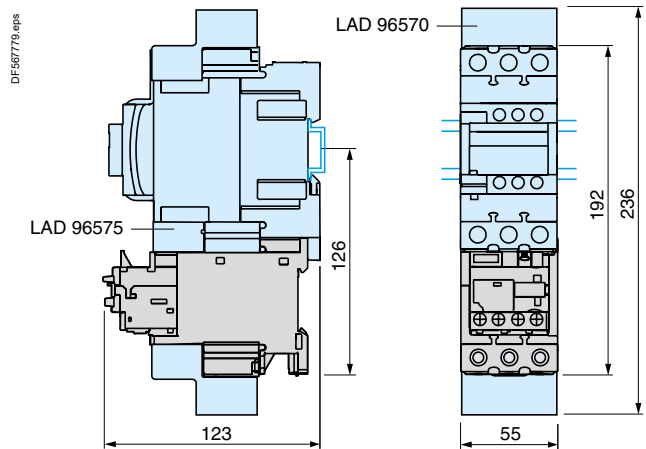
LRD313...380 ⁽¹⁾

Direct mounting beneath contactors LC1D40A...D80A with screw clamp connections or EverLink® connectors



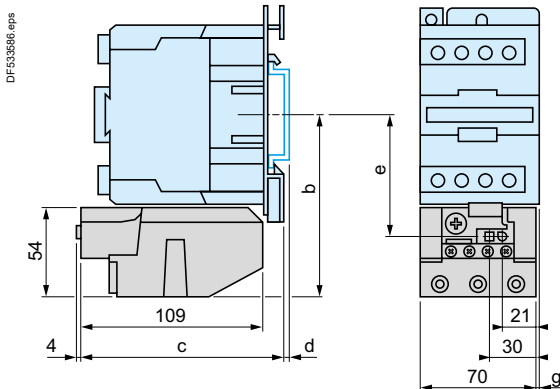
LRD3256...3806 ⁽¹⁾

Direct mounting beneath contactors LC1D40A6...D80A6 with lugs



LRD33...●●●

Direct mounting beneath contactors LC1D80...D95



AM1	DL201	DL200
d	7	17

Control circuit AC

	b	c	e	g (tri)	g (tetra)
LC1D80	115.5	124	76.9	9.5	22
LC1D95	115.5	124	76.9	9.5	-

Control circuit DC

LC1D80, D95	115.5	179.4	76.9	9.5	22
-------------	-------	-------	------	-----	----

⁽¹⁾ In case of vibration above 3 gn on Deca Advanced contactor directly mounted with LRD, it is recommended do mount the devices separately by screws on metal plate.

TeSys Protect

Deca Thermal overload relays

Dimensions, mounting



References:
p. B11/4 to B11/9

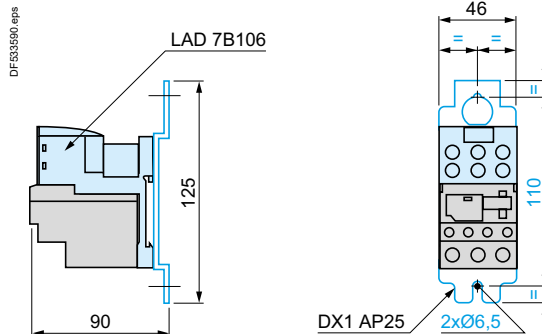
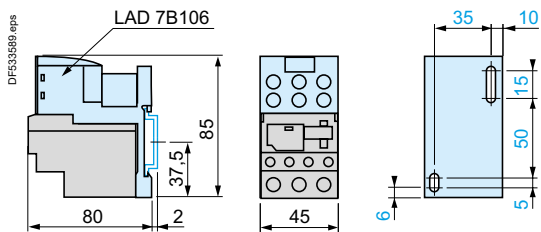
Characteristics:
p. B11/27 to B11/30

Schemes:
p. B11/33

LRD01...35

Independent mounting on 50 mm centres or on rail AM1DP200 or DE200

Independent mounting on 110 mm centres



LRD313...380

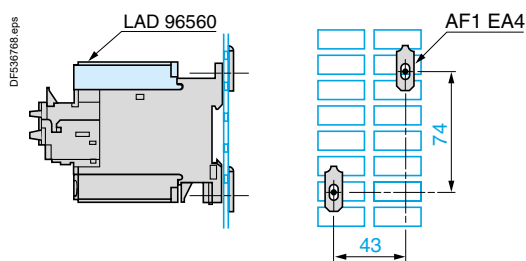
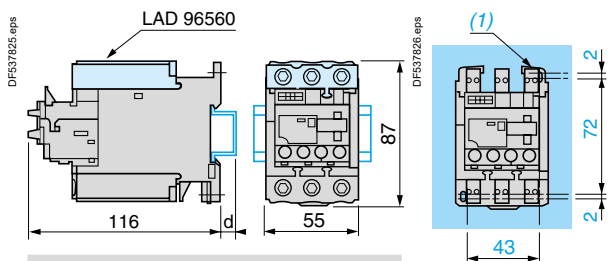
Mounting on rail AM1DP200 or ED200

Panel mounting

Mounted on plate AM1P

With terminal block LAD96560

Outgoing terminal block not shown

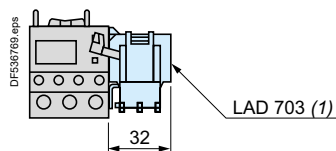


	AM1	DP200	DE200	ED200
d	2	9.5	9.5	

(1) 2 elongated holes Ø 4.2 x 6.

LRD01...35 and LRD313...380

Remote tripping or electrical reset



(1) Can only be mounted on RH side of relay LRD01...35 and LRD313...380.

TeSys Protect

Deca Thermal overload relays

Dimensions, mounting and schemes

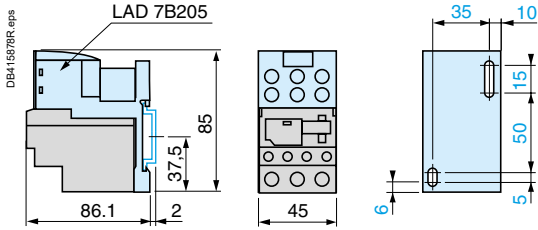


References:
p. B11/4 to B11/9

Characteristics:
p. B11/27 to B11/30

LRD04L...32L

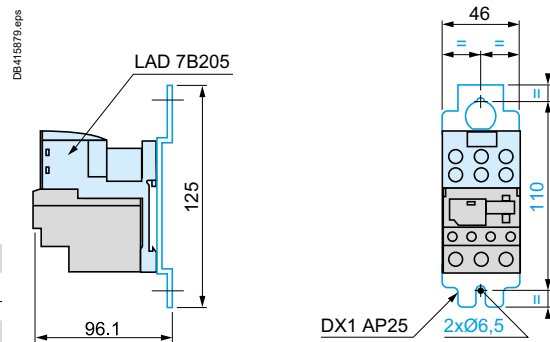
Independent mounting on 50 mm centres or on rail AM1DP200 or DE200



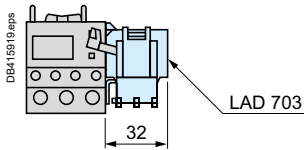
AM1 DP200 DE200

d 2 9.5

Independent mounting on 110 mm centres



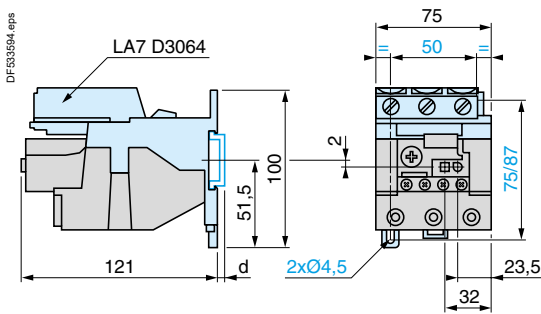
Remote tripping or electrical reset



(1) Can be mounted on RH or LH side of relay LR2D15.

LRD3... and LR2D35...

Independent mounting on 50 mm centres or on rail AM1DP200 or DE200

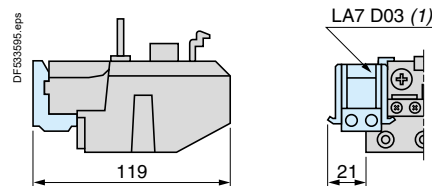


AM1 DP200 DE200

d 2 9.5

LRD3... , LR2D35... and LR9D

Remote tripping or electrical reset



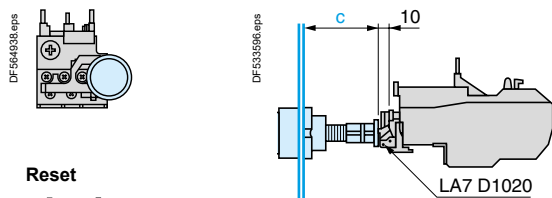
(1) Can be mounted on RH or LH side of relay LRD3... , LR2D35... or LR9D.

LRD3...

Adapter for door mounted operator

LA7D1020

Stop



Reset



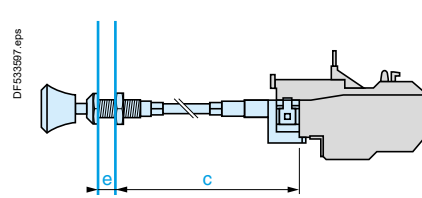
c: adjustable from 17 to 120 mm

LRD, LRD313...380, LRD04...32L

"Reset" by flexible cable

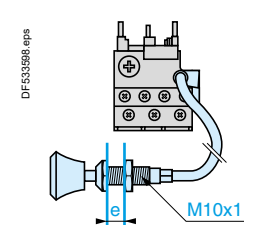
LA7D305 and LA7305

Mounting with cable straight

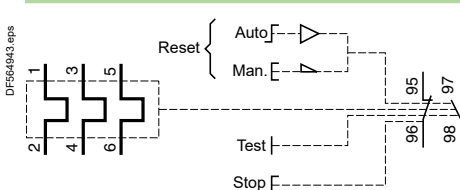


e: up to 20 mm / c: up to 550 mm

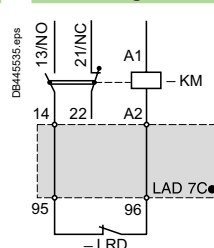
Mounting with cable bent



LRD... , LRD3... and LR2D...



Pre-wiring kit LAD7C1, LAD7C2



Overload relays

TeSys Protect

Deca Electronic overload relays

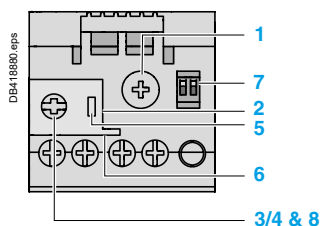
Characteristics



References:
p. B11/10

Dimensions, mounting:
p. B11/36

Schemes:
p. B11/37



LR9D01...32

Product references LR9D01, 02, 08 and 32

These self-powered electronic thermal overload relays are designed for direct mounting to contactors LC1D09 through LC1D38.

In addition to the protection provided by the Deca thermal overload relays (see page B11/31), they offer the following additional features:

- protection against phase imbalance
- choice of starting class
- protection of unbalanced circuits
- protection of single-phase circuits

- 1 Adjustment dial Ir.
- 2 Test button.
- 3 Stop button.
- 4 Reset button.
- 5 Trip indicator.
- 6 Setting locked by sealing the cover.
- 7 Class 5/10/20/30 dipswitches.
- 8 Reset mode selector.

Environment			
Relay type		LR9D01, 02, 08, 32	
Conforming to standards		IEC/EN 60947-4-1, IEC/EN 60947-5-1, UL 60947-4-1, CSA C22.2 n° 60947-4-1, UL 60947-5-1, CSA C22.2 n° 60947-5-1, GB/T 14048.4	
Product certifications		CCC, CSA, UL, CB, UKCA certification	
Degree of protection	Conforming to IEC 60529 and VDE 0106	IP 20 on front panel	
Ambient air temperature around the device (Conforming to IEC 60255-8)	Storage	°C	-55 to +80
	Normal operation	°C	-25 to +70
Maximum operating altitude	Without derating	m	2000
Operating positions without derating	In relation to normal vertical mounting plane	Any position	
Shock resistance	Permissible acceleration conforming to IEC 60068-2-27	15 g (11ms)	
Vibration resistance	Permissible acceleration conforming to IEC 60068-2-6	6 g (10-150 Hz)	
Dielectric strength at 50 Hz	Conforming to IEC 60947-4-1	kV	6
Surge withstand, common mode	Conforming to IEC 61000-4-5	kV	2
Resistance to electrostatic discharge	Conforming to IEC 61000-4-2	kV	8
Immunity to radiated radio-frequency disturbances	Conforming to IEC 61000-4-3 and NF C 46-022	V/m	10
Immunity to fast transient currents	Conforming to IEC 61000-4-4	kV	2
Electromagnetic compatibility	Draft EN 50081-1 and 2, EN 50082-2	Meets requirements	

Electrical characteristics of auxiliary contacts			
Conventional thermal current		A	5
Max. sealed consumption of the operating coils of controlled contactors (Occasional operating cycles of contact 95-96)	a.c. supply, AC-15	V	24 48 110 220 380 600
		VA	100 200 400 600 600 600
	d.c. supply, DC-13	V	24 48 110 220 - -
		W	100 100 50 45 - -
Protection against short-circuits	By gG or BS fuses or by circuit breaker GB2	A	5
Cabling Flexible cable without cable end	1 or 2 conductors	mm ² (AWG)	1 to 2.5 (18 to 14)
	Tightening torque	Nm (lb-in)	0.8 (7)

Overload relays

TeSys Protect

Deca Electronic overload relays

Characteristics



References:
p. B11/10

Dimensions, mounting:
p. B11/36

Schemes:
p. B11/37

Electrical characteristics of power circuit

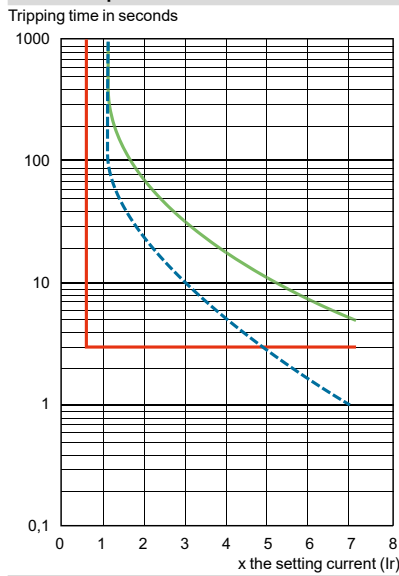
Relay type		LR9D01	LR9D02	LR9D08	LR9D32	
Tripping class	Conforming to IEC/EN 60947-4-1	5, 10, 20, 30				
	Conforming to UL 60947-4-1, CSA C22.2 n° 60947-4-1	10, 20, 30				
Rated insulation voltage (Ui)	Conforming to IEC 60947-4-1	V AC	1000			
Rated operational voltage (Ue)	Conforming to IEC 60947-4-1	V AC	690			
	Conforming to UL/CSA	V AC	600			
Rated impulse withstand voltage		kV	6			
Frequency limits	Of the operating current	Hz	50...60			
Setting range		A	0.1...0.5	0.4...2	1.6...8	6.4...32
Power circuit connections	Wire size - 1 or 2 conductors	mm² (AWG)	1 to 16 (14 to 6)			
	Tightening torque	Nm (lb-in)	3.1 (28)			

Operating characteristics

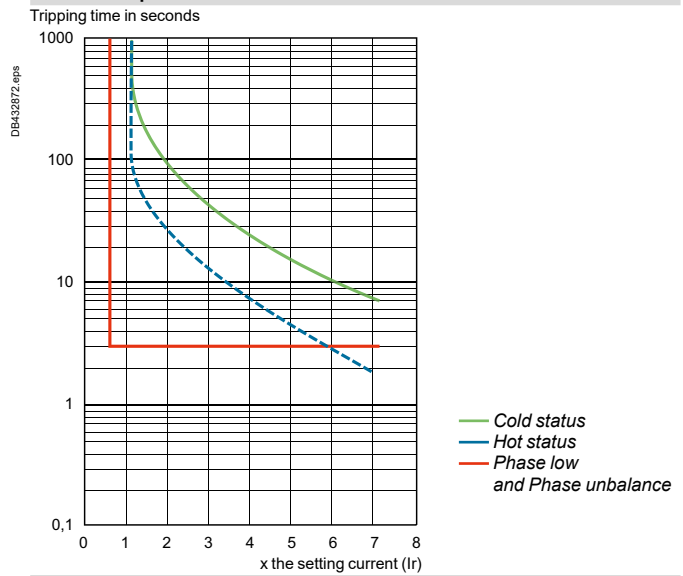
Consumption		mW	< 300		
Tripping thresholds	Conforming to IEC 60947-4-1	A	1.25 In		
Sensitivity to phase unbalance	Conforming to IEC 60947-4-1		Phase difference > 40%, tripping in 3 s		
Current setting ratio			5:1		
Automatic reset time		min.	1.5...4		

LR9D01, 02, 08, 32 tripping curves

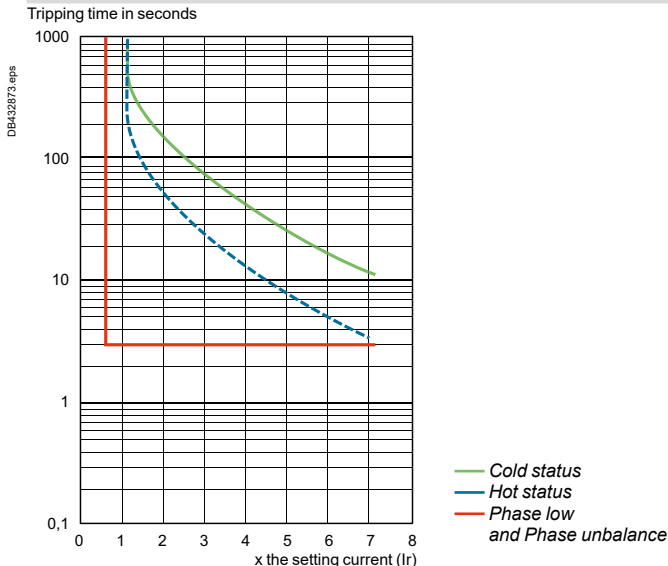
Class 5 Trip curve



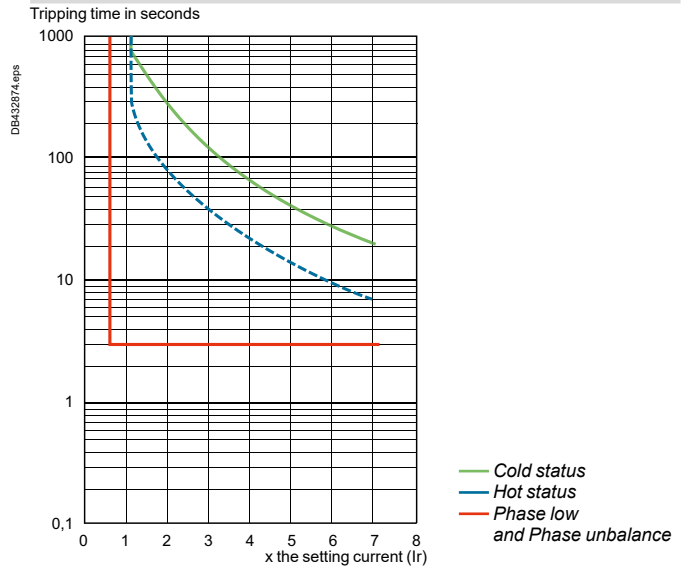
Class 10 Trip curve



Class 20 Trip curve



Class 30 Trip curve



TeSys Protect

Deca Electronic overload relays

Dimensions, mounting

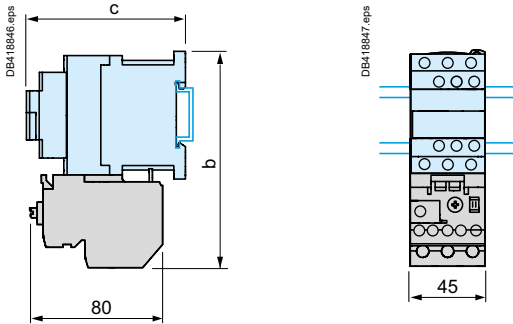


References:
p. B11/10

Characteristics:
p. B11/34 to B11/35

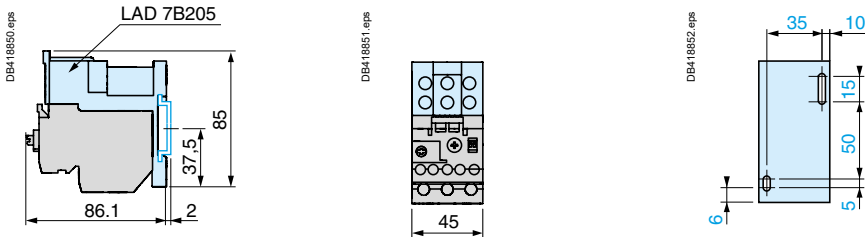
Schemes:
p. B11/37

LR9D01, 02, 08, 32



LC1	D09...D18	D25...D38
b	130	140
c	See pages B8/65 and B8/66	

LR9D01...32

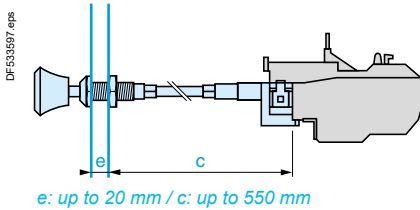


LR9D

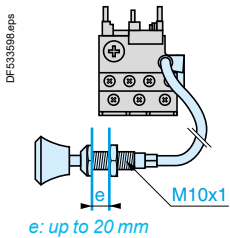
“Reset” by flexible cable

LA7D305 and LAD7305

Mounting with cable straight



Mounting with cable bent



Overload
relays

TeSys Protect

Deca Electronic overload relays

Schemes

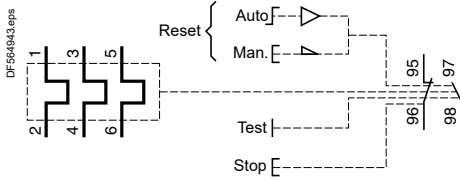


References:
p. B11/10

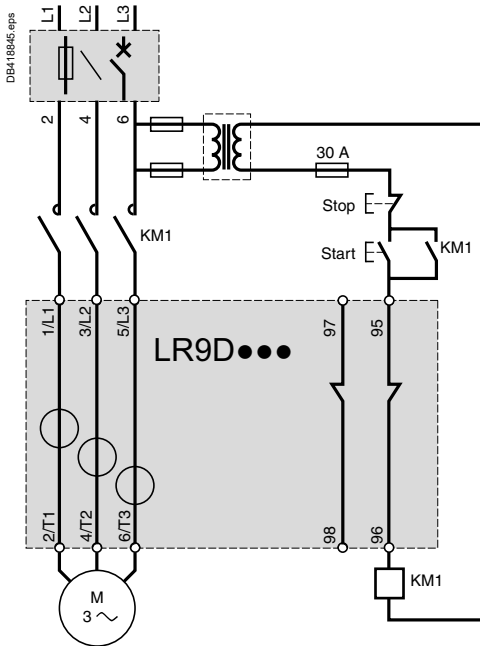
Characteristics:
p. B11/34 to B11/35

Dimensions:
p. B11/36

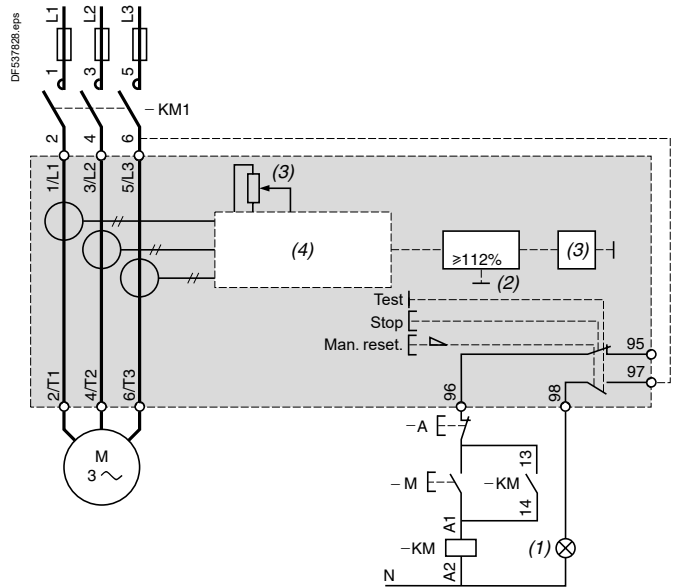
LR9D01, 02, 08, 32



LR9D01, 02, 08, 32, LR9 D110S



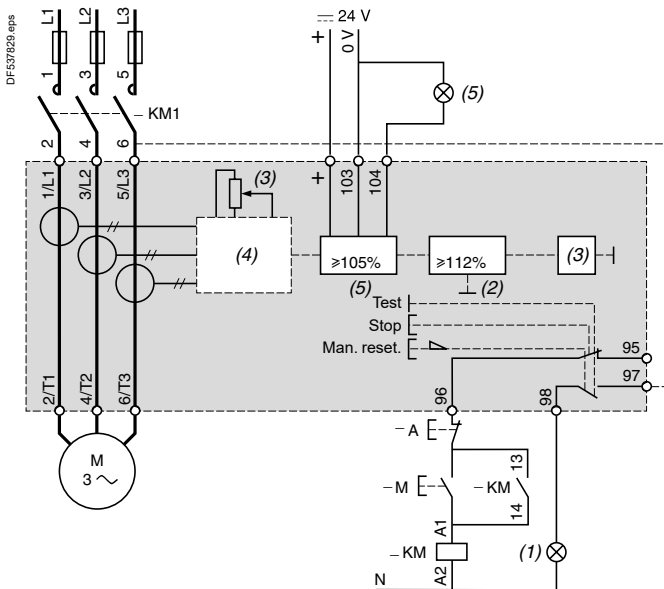
LR9D5...



(1) Tripped.
(2) Overload.

(3) Setting current.
(4) Specialised circuit.

LR9D67 and LR9D69



(1) Tripped.
(2) Overload.
(3) Setting current.

(4) Specialised circuit.
(5) Alarm.

Overload relays

TeSys Protect

Giga Electronic overload relays

Characteristics



Introduction:
p. B11/11 to B11/12

References:
p. B11/13 to B11/14

Dimensions:
p. B11/41

Environment							
Contactor type			LR9G115	LR9G225	LR9G500	LR9G630	
Conforming to standards			IEC/EN 60947-4-1, IEC/EN 60947-5-1, UL 60947-4-1, CSA C22.2 n° 60947-4-1, UL 60947-5-1, CSA C22.2 n° 60947-5-1, GB/T 14048.4				
Product certifications			CB Scheme, CCC, cULus, UKCA, EAC, ATEX, EU-RO-MR by DNV				
Degree of protection	Conforming to IEC 60529 / VDE 0106		IP 20 on front of relay with accessories LA9G37●●				
Climatic withstand			according to IACS E10				
Ambient air temperature around the device (conforming to IEC 60255-8)	Storage	°C	-55...+80				
	Normal operation	°C	-25...+60				
Maximum operating altitude	Without derating	m	3000				
Net weight		kg	0.8		1.3	2.9	
Operating positions without derating	In relation to normal vertical mounting plane / floor mounting		Any position				
Flame resistance		Conforming to IEC 60695-2-11	°C	850			
Shock resistance 11 ms	Permissible acceleration conforming to IEC 60068-2-27		15 gn				
Vibration resistance 5 to 300 Hz	Permissible acceleration conforming to IEC 60068-2-6		6 gn				
Rated impulse withstand voltage (Uimp)	Conforming to IEC 60947-4-1	kV	8				
Surge withstand	Conforming to IEC 61000-4-5	kV	4				
Resistance to electrostatic discharge	Conforming to IEC 61000-4-2	kV	8 (in air) 6 (in direct mode)				
Resistance to radiated radio-frequency disturbance	Conforming to IEC 61000-4-3	V/m	20				
Resistance to fast transient currents	Conforming to IEC 61000-4-4	kV	4				
Electromagnetic compatibility		EN 50081-1 and 2, EN 50082-2	Conforming				

TeSys Protect

Giga Electronic overload relays

Characteristics


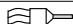
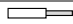



Introduction:
p. B11/11 to B11/12

References:
p. B11/13 to B11/14

Dimensions:
p. B11/41

Power circuit - Electrical characteristics			LR9G115	LR9G225	LR9G500	LR9G630
Relay type						
Rated insulation voltage (Ui)	Conforming to IEC 60947-4-1 Over-voltage category III, degree of pollution: 3	V	1000			
Rated impulse withstand voltage (Uimp)	Conforming to IEC 60947-1	kV	8			
Rated operational current (Ie)		A	28 to 630			
Short-circuit protection and coordination			See pages A5/61 to A5/62, A5/77 to A5/80 and A5/92 to A5/93.			
Frequency limits of the operating current		Hz	50 / 60			
Power circuit connections	Width of terminal lug	mm	25	25	31	51
	Clamping screw		M8	M8	M10	M12
	Tightening torque	N.m	18	18	35	58

Auxiliary contact electrical characteristics									
Conventional thermal current		A	5						
Short-circuit protection	By gG fuses	A	6						
Connection (Push-in type)	Flexible cable	1 conductor with cable end	mm ² 	Min.	Max.				
		2 conductors with Dual Sleeve	mm ² 	0.25	2.5				
	Solid cable	1 conductor	mm ² 	0.5	1				
		Stripping length	mm 	0.2	2.5				
				10	10				
Rated operational contact power	a.c. supply AC-15	V	24	48	120	240	380	480	500
		A	4	4	3	1.5	0.95	0.75	0.72
		VA	96	192	360	360	361	360	360
	d.c. supply DC-13	V	24	48	125	250	–	–	–
		A	2	0.7	0.22	0.11	–	–	–
		W	48	33.6	27.5	27.5	–	–	–
Maximum operational voltage	a.c., category AC-15	V	500	500	500	500	500	500	500
	d.c., category DC-13	V	250	250	250	250	250	250	250

TeSys Protect

Giga Electronic overload relays

Characteristics



Introduction:
p. B11/11 to B11/12

References:
p. B11/13 to B11/14

Dimensions:
p. B11/41

Operating characteristics

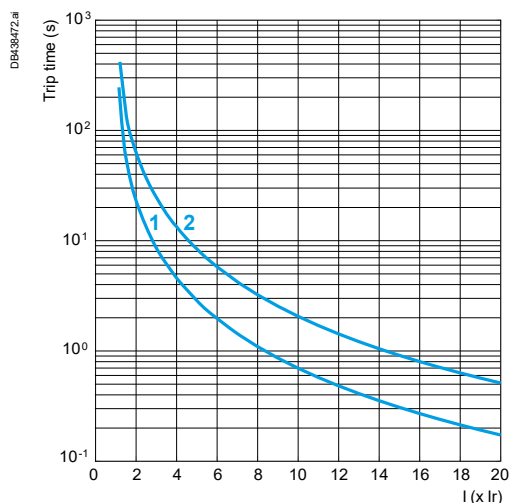
Tripping class	Conforming to IEC 60947-4-1		5E/10E/20E/30E
Operating temperature		°C	-40...+60 ⁽¹⁾
Reset			auto and manual
Trip alarm and fault indication			On front of relay
Test function			On front of relay
Tripping thresholds	Conforming to IEC 60947-4-1	Alarm	≥ 90% of permissible thermal state
		Tripping	A 1.2 ± 0.05 I _r
Sensitivity to phase loss	Conforming to IEC 60947-4-1		Tripping in 4 s ± 1 s in the event of phase loss
Phase imbalance	Conforming to IEC 60947-1		Tripping in 5 s ± 1 s if imbalance ratio ≥ 40 % according to Annex T5.5
Ground fault	Conforming to IEC 60947-4-1		I _g = 0.75 I _r
			Tripping 1 s ± 20 % if I ≥ 1.1 I _g
Adjustment (nominal motor current)			Setting dial on front of relay (64 settings)
Security sealing			Yes

(1) Adjustment of dial setting(s): -25...+60 °C.

LR9G tripping curves

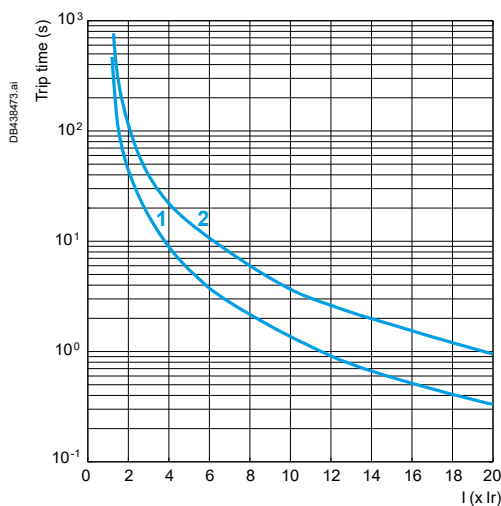
Average operating times depending on multiples of the setting current

Class 5E



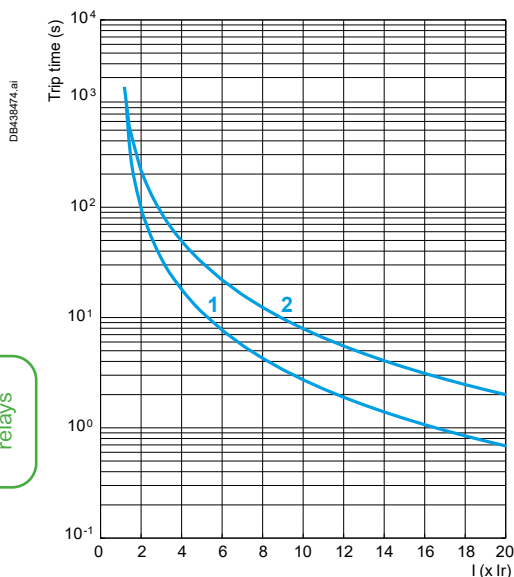
- 1 Hot state
- 2 Cold state

Class 10E



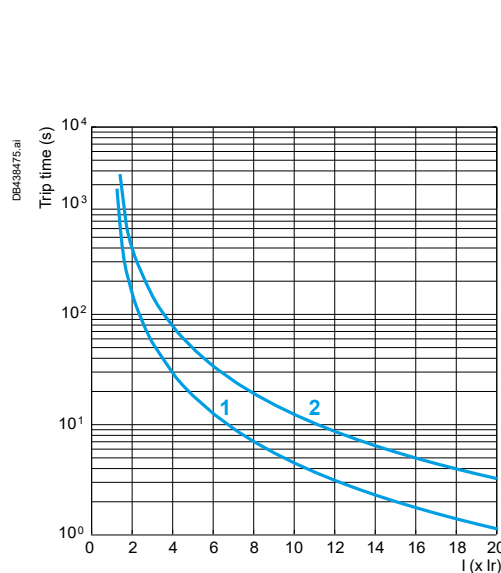
- 1 Hot state
- 2 Cold state

Class 20E



- 1 Hot state
- 2 Cold state

Class 30E



- 1 Hot state
- 2 Cold state

Overload relays

TeSys Protect

Giga Electronic overload relays

Dimensions and diagram



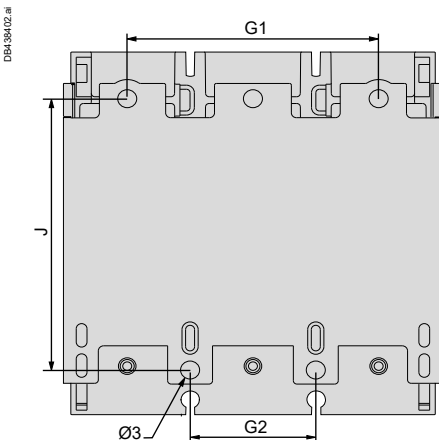
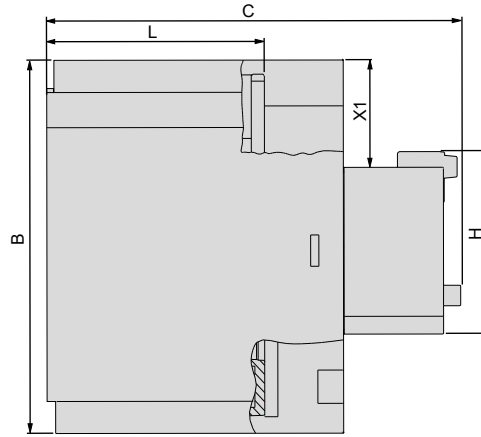
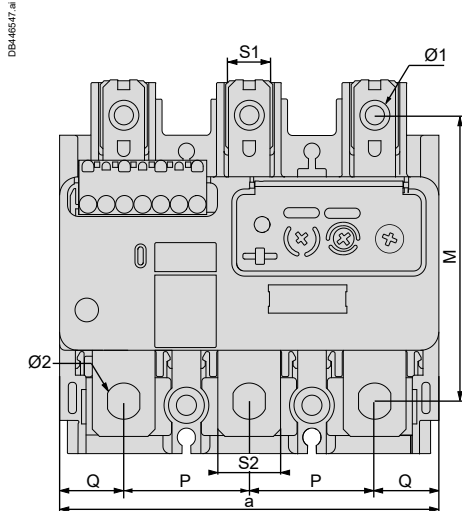
Introduction:
p. B11/11 to B11/12

References:
p. B11/13 to B11/14

Characteristics:
p. B11/38 to B11/40

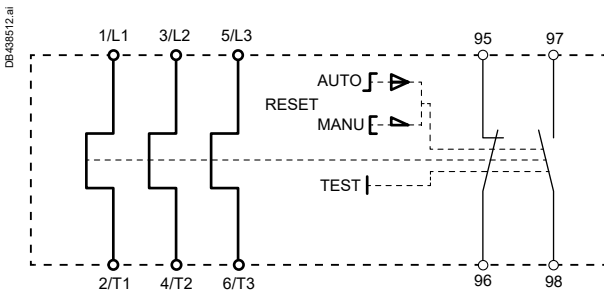
Dimensions

LR9G115...630



LR9G	115-225	500	630
a	105.7	140	210
b	109.55	115.65	149.45
c	126.2	139.2	185.9
G1	70	119.3	186.2
G2	35	45	70
J	80.1	68.25	86
M	78	83	100
H	52	52	52
L	66	79	107
P	35	45	70
Q	18	25	35
S1	11.5	22.5	22.5
S2	17.5	30.5	50
Ø1	8.3	10.6	13
Ø2	9	10.6	13
Ø3	5.3	5.3	8.5
X1	30	33	50

Diagram



TeSys Protect

LR97, LT47 Electronic over current relays

Characteristics



References:
p. B11/15

Dimensions, mounting:
p. B11/46

Schemes:
p. B11/46

Introduction



LR97D



LT47

LR97D and LT47 electronic over current relays have been developed to satisfy machine protection requirements. These relays have definite time characteristics: current threshold and time based function. They are particularly recommended for providing mechanical protection on machines with high resistive torque, high inertia and with strong probability of jamming under steady state conditions. They can be used for motor protection in the case of long starting times or frequent starting. The LR97D relay also incorporates two fixed time protection functions, one of 0.5 seconds against locked rotor and one of 3 seconds against phase failure. LR97D and LT47 can be used to provide mechanical shock protection. In this case, setting the O-Time knob to minimum will ensure tripping in 0.3 seconds. LR97D is designed to be directly connected downstream of the Deca contactor. LT47 provides two current transformers, to be crossed by the motor power cables.

Applications

- LR97D and LT47 relays are particularly suitable for the following machines:
- Monitoring function for excessively long starting time on machines with a risk of difficult starting:
 - Machines with high resistive torque, high inertia machines.
 - Monitoring of machines during steady state operation: overtorque detection function
 - Machines with strong risk of jamming, machines with torque build-up over time,
 - Mechanical failure monitoring,
 - Faster detection of malfunctioning on machines where the motor is oversized in relation to its thermal protection I²t.
 - Motor protection for specific applications:
 - Machines with long starting times,
 - Machines with high on-load factor: more than 30 to 50 starts/hour,
 - Machine with fluctuating load from a steady state, where the thermal image of a thermal overload relay (thermal memory) is unsuitable in relation to actual overheating of the motor.
- Examples of machines:**
- Conveyors, crushers and mixers,
 - Fans, pumps and compressors,
 - Centrifuges and spin-dryers,
 - Presses, shearing machines, saws, broaching machines, sanders and lifting hoists.

Operation

Because of their two separate time settings, LR97D and LT47 relays can be combined with the motor-starter function:

D-Time: starting time, O-Time: trip time during steady state.

The D-Time function is only available during the motor starting phase. During this phase the overload detection function is inhibited in order to allow starting. Under steady state conditions, when the motor current is greater than the setting current due to an overload or single-phasing, the red LED lights up and the internal relay switches its contact after a time preset by the O-Time knob.

The red LED stays on, indicating that the relay has tripped.

The relays are simple to set, in 5 easy steps:

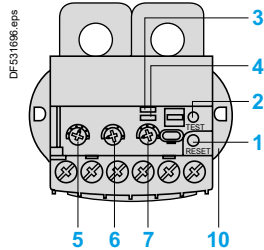
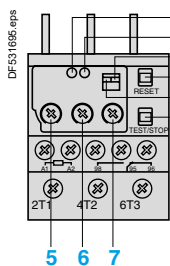
- Adjust the 3 knobs to maximum (Load, D-Time and O-Time),
- Adjust the D-Time knob to the value corresponding to the motor starting time.
- When the motor reaches steady state, adjust the Load knob (turn the knob counter-clockwise until the red LED starts to flicker).
- Slowly turn the Load knob clockwise until the LED goes out.
- Set the required tripping time, using the O-Time knob.

Description

Description

LR97D●●●●●

LT47●●●●●



- 1 RESET knob
- 2 TEST/STOP knob
- 3 Ready/Run Indicator
- 4 Relay tripped indicator
- 5 Current setting
- 6 Adjustment of starting time
- 7 Adjustment of tripping time
- 8 Manual/Auto adjustment
- 9 Single-phase/3-phase adjustment
- 10 Retractable fixing lugs

Status signalling

LR97D●●●●●

LT47●●●●●

To assist fast diagnostics, two LEDs (one green and one red) allow signalling of the operating status:

Status	LED signal	
	Green LED	Red LED
Voltage	On	Off
Starting		
Steady state	On	Off
Overload	On	
Trip	Over-current	Off
	Rotor locked	Off
	Phase failure	L1
L2		Off
L3		Off

Condition	LED signal	
	Green LED	Red LED
Voltage	On	Off
Starting		
Steady state	On	Off
Overload	On	
Trip	Off	On

Overload relays

TeSys Protect

LR97, LT47 Electronic over current relays

Characteristics



References:
p. B11/15

Dimensions, mounting:
p. B11/46

Schemes:
p. B11/46

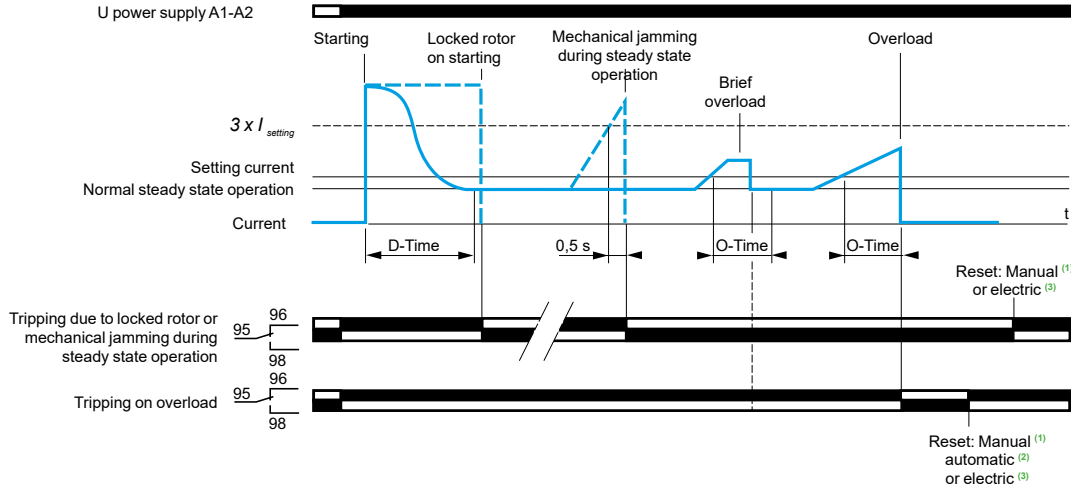
Curves

LR97D

Overload protection

Protection against locked rotor and mechanical jamming under steady state conditions

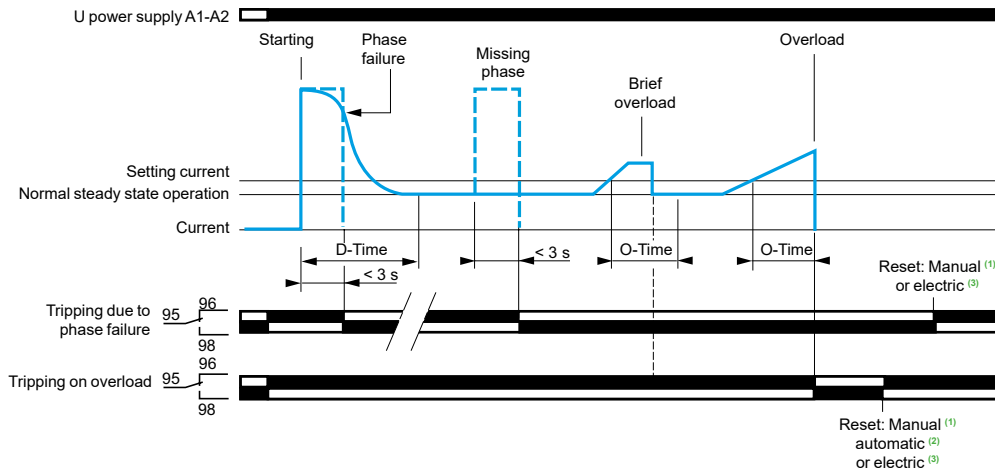
DF532218.eps



Overload protection

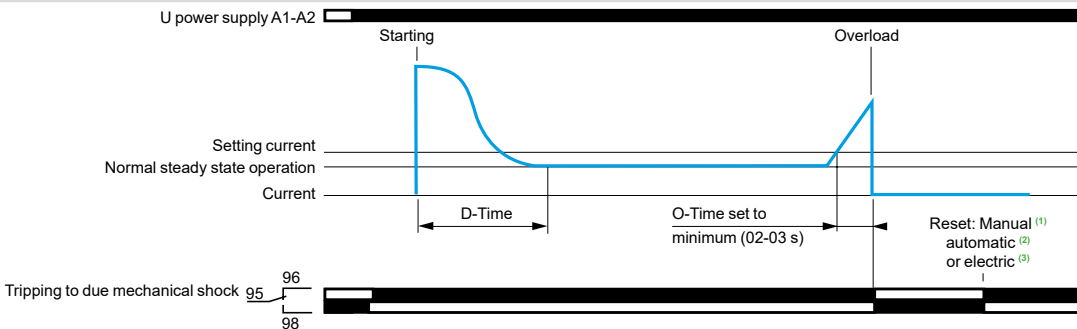
Protection against phase failure during starting and during steady state operation

DF532219.eps



Mechanical shock protection

DF532220.eps



(1) By Reset button.

(2) Fixed time of 120 s. Selectable by dip switch. Function not available in the event of tripping due to locked rotor/mechanical jamming ($I > 3 \times I_{\text{setting}}$) or phase failure.

(3) By brief interruption of power supply, minimum 0.1 s.

TeSys Protect

LR97, LT47 Electronic over current relays

Characteristics



References:
p. B11/15

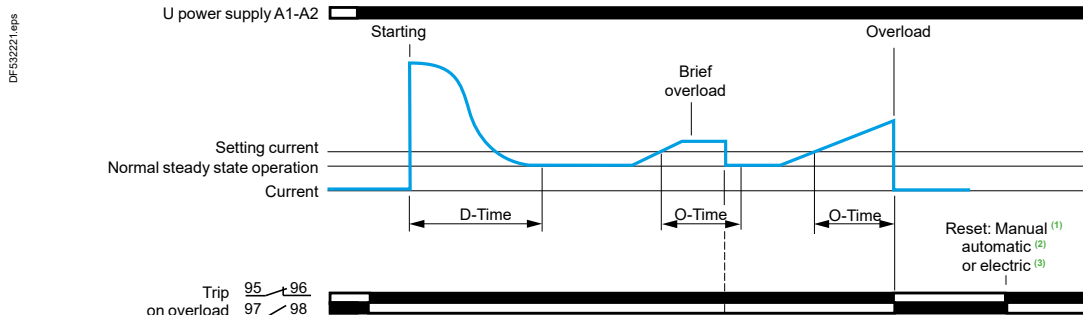
Dimensions, mounting:
p. B11/46

Schemes:
p. B11/46

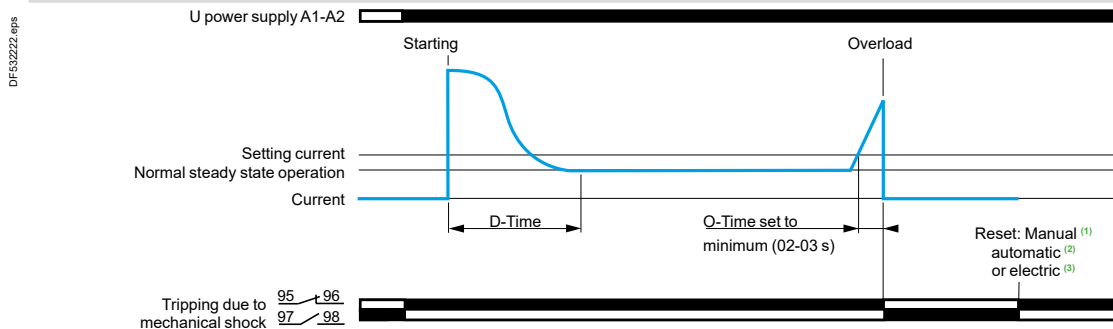
Curves

LT47

Overload protection



Mechanical shock protection



(1) By Reset button.

(2) Only available on version with automatic reset (LT47●●●●A). Time adjustable from 1 to 120 s with the R-Time knob.

(3) By brief interruption of power supply, minimum 0.1 s.

Characteristics

Environment

Relay type		LR97D●●●●	LT47●●●●
Conforming to standards		IEC/EN 60947-4-1, IEC/EN 60947-5-1, UL 60947-4-1, CSA C22.2 n° 60947-4-1, UL 60947-5-1, CSA C22.2 n° 60947-5-1, GB/T 14048.5	IEC/EN 60947-4-1, IEC/EN 60947-5-1, UL 60947-4-1, CSA C22.2 n° 60947-4-1, UL 60947-5-1, CSA C22.2 n° 60947-5-1, GB/T 14048.5
Product certifications		UL, CSA, CCC, EAC	UL, CSA, CCC, EAC
Degree of protection		IP 20 (front face)	IP 20 (front face)
Ambient air temperature around the device	Storage	°C - 30...+ 80	- 30...+ 80
	Normal operation without derating (IEC 60947-4-1)	°C - 25...+ 60	- 25...+ 60
Maximum operating altitude		m 2000	2000
Operating positions without derating		In relation to normal vertical mounting plane Any position	Any position
Shock resistance		Permissible acceleration conforming to IEC 60068-2-27 15 gn - 11 ms	15 gn - 11 ms
Vibration resistance		Permissible acceleration conforming to IEC 60068-2-6 4 gn	4 gn
Dielectric strength at 50 Hz		Conforming to IEC 60947-4-1 kV 2	2
Surge withstand		Conforming to IEC 61000-4-5 kV 6	6
Resistance to electrostatic discharge	In open air	kV 8 (level 3)	8 (level 3)
	In direct mode	kV 6 (level 3)	6 (level 3)
Immunity to radiated radio-frequency disturbance		V/m 10 (level 3)	10 (level 3)
Immunity to fast transient currents		kV 2	2
Conducted emissions		Conforming to EN 55011 Class A	Class A
Conducted HF disturbance		Conforming to EN 61000-4-6 V 10	10

Overload relays

TeSys Protect

LR97, LT47 Electronic over current relays

Characteristics



References:
p. B11/15

Dimensions, mounting:
p. B11/46

Schemes:
p. B11/46

Characteristics												
Auxiliary contact characteristics												
Relay type			LR97D●●●●●				LT47●●●●●					
Contact type			1 NO/NC				1 N/O + 1N/C					
Conventional thermal current			A	3				3				
Maximum hold consumption of controlled contactor coils (occasional operating cycles of contact 95-96)			Conforming to IEC 60947									
			V	~ 24	~ 48	~ 110	~ 220	~ 24	~ 48	~ 110	~ 220	
			VA	70	140	360	360	70	140	360	360	
			V	--- 24	--- 48	--- 110	--- 220	--- 24	--- 48	--- 110	--- 220	
Short-circuit protection			By gG, BS fuses. Maximum rating or GB2 circuit breaker				By gG, BS fuses. Maximum rating or GB2 circuit breaker					
Connection by cable or lug-clamps												
Flexible cable without cable end		1 or 2 conductors	Min.	mm ² 1 x 0.75				1 x 1				
			Max.	mm ² 2 x 2.5				2 x 2.5				
Flexible cable with cable end		1 or 2 conductors	Min.	mm ² 1 x 0.34				1 x 1				
			Max.	mm ² 1 x 1.5 + 1 x 2.5				2 x 2.5				
External Ø of lugs			mm 7				7					
Ø of screw			mm M3				M3.5					
Tightening torque			N.m 0.6...1.2				0.8...1.7					
Electrical characteristics of power circuit												
Relay type			LR97D015●● to LR97D25●●		LR97D38●●		LT47●●●●●					
Setting range			Depending on model		A 0.3...38		0.5...60					
Tripping class			Adjustable		Adjustable		Adjustable					
Rated insulation voltage (Ui)			Conforming to IEC 60947-4-1		V 690		690					
			Conforming to UL, CSA		V 600		600					
Rated impulse withstand voltage (Uimp)			kV 6		6		6					
Frequency limits			Of the operating current		Hz 50...60		50...60					
Connection by cable or lug-clamps												
Flexible cable without cable end		1 conductor	Min.	mm ² 1.5		2.5		-				
			Max.	mm ² 10		10		-				
Flexible cable with cable end		1 conductor	Min.	mm ² 1		1		-				
			Max.	mm ² 4		6		-				
External Ø of lugs			mm 10		12		-					
Ø of screw			mm M4		M4		-					
Tightening torque			N.m 2		2		-					
Operating characteristics												
Relay type			LR97D●●●●●		LT47●●●●●S		LT47●●●●●A					
Adjustment			Current		A "Load" knob		"Load" knob		"Load" knob			
			Time		D-time knob		s 0.5...30		0.5...30		-	
					O-time knob		s 0.2/0.3...10		0.2/0.3...10		0.2/0.3...30	
					R-time knob		s -		-		1...120	
Reset			Manual		Reset button		Reset button		Reset button			
			Automatic		120 s fixed		-		R-time knob: 1-120 s			
			Electrical		By interruption of power supply (minimum 0.1 s)		By interruption of power supply (minimum 0.1 s)		By interruption of power supply (minimum 0.1 s)			
Protection functions					On starting		Steady state		On starting			
Overload $I_{max} > I_{setting}$		Tripping	Inhibited during D-time		After O-time		Inhibited during D-time		After O-time			
			After D-time		< 0.5 s		Inhibited during D-time		After O-time			
			< 3 s		< 3 s		Inhibited during D-time		After O-time			
Locked rotor, mechanical jamming $I > 3 \times I_{setting}$		Tripping	After D-time		< 0.5 s		Inhibited during D-time		After O-time			
Sensitivity to phase failure		Tripping	< 3 s		< 3 s		Inhibited during D-time		After O-time			
Status and fault signalling (see table page 24517/2)			2 LEDs		2 LEDs		2 LEDs		2 LEDs			
TEST/STOP function			Test		No load		No load		No load			
			Stop		Under load		Under load		Under load			
Sealing			Yes		Yes		Yes		Yes			

Overload relays

TeSys Protect

LR97, LT47 Electronic over current relays

Dimensions, mounting, schemes

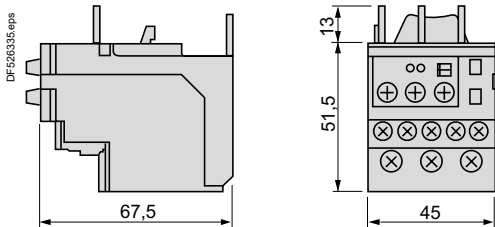


References:
p. B11/15

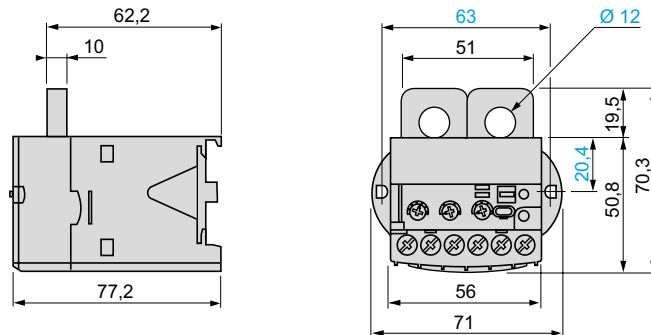
Characteristics:
p. B11/42 to B11/45

Dimensions

LR97D●●●●



LT47●●●●

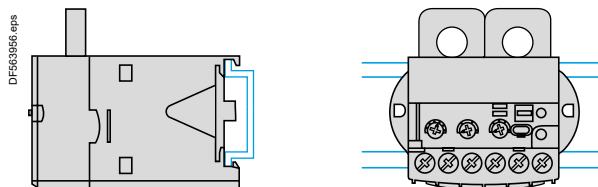
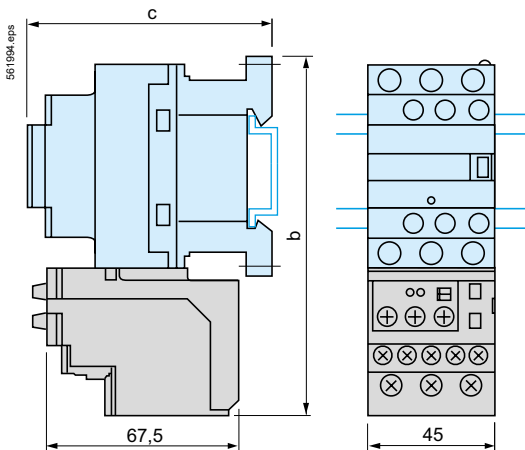


Mounting

LR97D●●●●

Direct mounting beneath the contactor

LT47●●●●

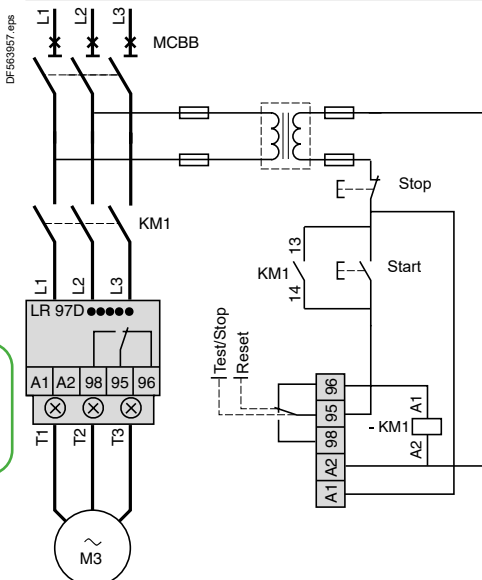


LC1	D09...D18	D25...D38
b	123	137
c	See pages B8/76 and B8/77	

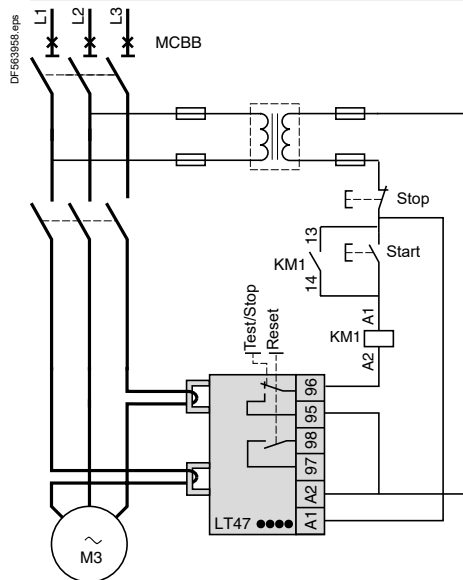
Note: Can be mounted on \perp rail.

Schemes

LR97D●●●●



LT47●●●●





Overload relays

Introduction

B12/2

TeSys Deca Motor Circuit Breakers


Type of product	Range		Pages
AC-3/AC-3e Applications - 3-pole TeSys Deca Frame 2 Motor Circuit Breakers - Thermal-Magnetic (Product ref. GV2ME••A)	0.06 to 15 kW / 400/415 V		B12/10
UL Applications - TeSys Deca Frame 2 Motor Circuit Breakers	3/4 to 20 HP / 460 V		B12/11
Contact Blocks: Connection by SNAP IN Terminals			B12/13
Mounting and Connection Accessories			B12/15

Technical Data for Designers

B12/17

TeSys Deca contactors

B12/29

AC-3/AC-3e Applications - 3-pole TeSys Deca Contactors	From 9 to 32 A		B12/31
AC-1 Applications - 3-pole TeSys Deca Contactors	From 20 to 40 A		B12/32
UL and CSA Applications - 3-pole TeSys Deca Contactors	From 25 to 40 A		B12/33
Auxiliary Contact Blocks, Assembly Kits for TeSys Deca Contactors			B12/35

Technical Data for Designers

B12/39

TeSys Deca Control Relays

B12/55

Relays 5 Contacts, Simultaneous Action		B12/57
--	---	--------

Note: For auxiliaries please refer to pages B12/34 and B12/35.

Technical Data for Designers

B12/59

The New SNAP IN Connections Features

Simplicity It's so QUICK!

- Electrical connection under one second
- Up to 92% faster than traditional technologies

Simplicity It's so EASY!

- The world's first self-explanatory clamping technology. One hole, one pusher, one click.
- Solid and flexible wires with or without cable end can be connected without any tools.

Reliability It's so SECURE!

- Your peace of mind with every connection through, a clearly audible click and the pusher moves forwards.

Scalability READY-TO-ROBOT!

- The first motor circuit breaker and contactor suitable for fully automatic mounting and wiring.

Reliability General benefits

- Each connection has a testing point for diagnostics
- Maintenance-free clamping technology
- One-handed unwiring

Scalability Comprehensive solution!

- Up to 15 kW motor starter solution thanks to extensive accessories



Simplicity with just 1 click for 1 second

It's so **EASY** as one hole, one pusher, one click.

- No special tool skills needed.
- No wiring tool needed regardless of flexible, solid or fine-stranded conductors



It's so **QUICK** as one second

- Up to 92% time saving compared with other connection technology

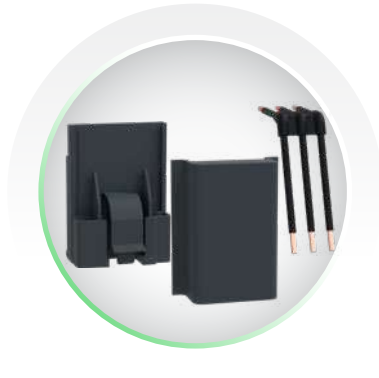


Scalability with comprehensive solution

Achieved by extensive accessories
for comprehensive motor starter solution up to 15 kW



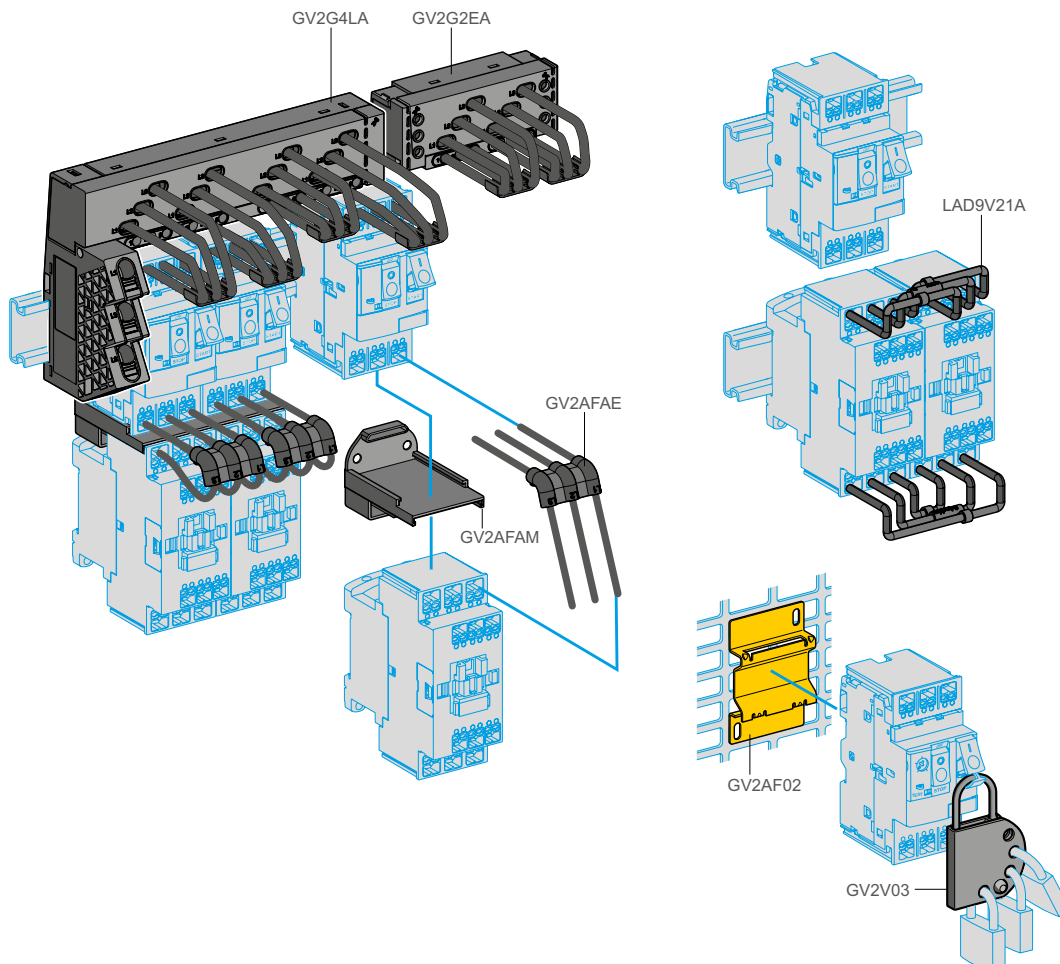
Infeed busbar



Motor Starter Assembly



Contactor Switch Kit



SNAP IN
motor
starters

Scalability by READY-TO-ROBOT

• Our circuit breakers and contactors are specially developed for use in fully automated production processes. It can be assembled automatically and simply wired without changing tools.

Optimized efficiency

Production speed is significantly increased by automating placement and wiring. Reduced need for manual intervention and tool changes lowers operating costs.

High precision

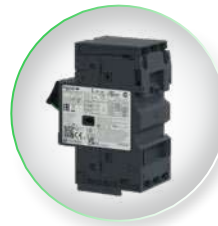
Automated processes ensure consistently high quality and accuracy.

Improved safety

Minimizing manual intervention helps to reduce the risk of accidents at work and to increase occupational safety.



Step 1: Place



Only one swiveling, pushing movement is necessary to place the product

Step 2: Wiring

The robot only has to hold the wire and make a forward movement until it receives visual or audible feedback from the clamp. No other tools or movements are required.



Reliability from install to maintain

It's so SECURE

- Clear indication by a sound and visual feedback as confirmation to the electricians

Delivery status

The device is supplied with a preloaded spring. The switching status of the preloaded terminal point is indicated by the position of the pusher.

Wiring

The stripped wire can be easily and securely inserted into the terminal point without any further preparation.

Clamping

When the wire touches the ground contact of the terminal, the spring of the clamping point is released and shoots the terminal. This changes the position of the pusher and a clear 'click' can be heard.

Reliability benefits the whole customer journey

Testing	Operation	Maintenance
Measuring point of each connection	Maintenance-free clamping technology	One-handed unwiring
<p>Ideal for final acceptance tests as well as maintenance & service</p> <p>Safety of Your Machines Depend on Smart Solutions</p>	<p>Robust against vibrations and shocks</p> <p>Continuous pressure force</p>	<p>First reset all pushers. Then all wires can then be removed without using any force.</p>

SNAP IN
motor
starters



SNAP IN
motor
starters



TeSys Power

Deca Motor Circuit Breakers

Introduction

B12/2

TeSys Deca Motor Circuit Breakers


Type of product	Range		Pages
AC-3/AC-3e Applications - 3-pole TeSys Deca Frame 2 Motor Circuit Breakers - Thermal-Magnetic (Product ref. GV2ME••A)	0.06 to 15 kW / 400/415 V		B12/10
UL Applications - TeSys Deca Frame 2 Motor Circuit Breakers	3/4 to 20 HP / 460 V		B12/11
Contact Blocks: Connection by SNAP IN Terminals			B12/13
Mounting and Connection Accessories			B12/15

Technical Data for Designers

B12/17

TeSys Deca contactors

B12/29


AC-3/AC-3e Applications - 3-pole TeSys Deca Contactors	From 9 to 32 A		B12/31
AC-1 Applications - 3-pole TeSys Deca Contactors	From 20 to 40 A		B12/32
UL and CSA Applications - 3-pole TeSys Deca Contactors	From 25 to 40 A		B12/33
Auxiliary Contact Blocks, Assembly Kits for TeSys Deca Contactors			B12/35

Technical Data for Designers

B12/39

TeSys Deca Control Relays

B12/55

Relays 5 Contacts, Simultaneous Action			B12/57
--	--	---	--------

Note: For auxiliaries please refer to pages B12/34 and B12/35.

Technical Data for Designers

B12/59



Description:
p. B12/2 to B12/6

Characteristics:
p. B12/18 to B12/20

Curves:
p. B12/21 to B12/23

Dimensions:
p. B12/26 to B12/27

Schemes:
p. B12/27

PB125640.fr



GV2ME●●A

Motor circuit breakers from 0.06 to 15 kW / 400 V

Deca - Frame 2 (ref. GV2ME): control by push button, connection by SNAP IN terminals ⁽¹⁾

Standard power ratings of 3-phase motors 50/60 Hz in category AC-3/AC-3e

400/415 V			500 V			690 V			Setting range of thermal trips	Magnetic tripping current $I_i \pm 20\%$	Reference
P	I _{cu}	I _{cs} ⁽²⁾	P	I _{cu}	I _{cs} ⁽²⁾	P	I _{cu}	I _{cs} ⁽²⁾			
kW	kA	%	kW	kA	%	kW	kA	%			
-	-	-	-	-	-	-	-	-	0.1...0.16	1.93	GV2ME01A
0.06	*	*	-	-	-	-	-	-	0.16...0.25	3.08	GV2ME02A
0.09	*	*	-	-	-	-	-	-	0.25...0.40	5.8	GV2ME03A
0.12	*	*	-	-	-	0.37	*	*	0.40...0.63	9.3	GV2ME04A
0.18	*	*	-	-	-	-	-	-	-	-	-
0.25	*	*	0.37	*	*	0.55	*	*	0.63...1	15.1	GV2ME05A
0.37	*	*	-	-	-	-	-	-	-	-	-
0.37	*	*	0.37	*	*	-	-	-	1...1.6	26.2	GV2ME06A
0.55	*	*	0.55	*	*	0.75	*	*	-	-	-
-	-	-	0.75	*	*	1.1	*	*	-	-	-
0.75	*	*	1.1	*	*	1.5	3	75	1.6...2.5	39	GV2ME07A
1.1	*	*	1.5	*	*	2.2	3	75	2.5...4	74	GV2ME08A
1.5	*	*	2.2	*	*	3	3	75	-	-	-
2.2	*	*	3	50	100	4	3	75	4...6.3	91	GV2ME10A
3	*	*	4	10	100	5.5	3	75	6...10	149	GV2ME14A
4	*	*	5.5	10	100	7.5	3	75	-	-	-
5.5	15	50	7.5	6	75	9	3	75	9...14	253.4	GV2ME16A
-	-	-	-	-	-	11	3	75	-	-	-
7.5	15	50	9	6	75	15	3	75	13...18	341	GV2ME20A
9	15	40	11	4	75	18.5	3	75	17...23	341	GV2ME21A
11	15	40	-	-	-	-	-	-	-	-	-
11	15	40	15	4	75	-	-	-	20...25	388.3	GV2ME22A
15	10	50	18.5	4	75	22	3	75	24...32	537.6	GV2ME32A

⁽¹⁾ For Coordination Tables, please refer to Chapter A5.

⁽²⁾ As % of I_{cu}.

* > 100 kA.

TeSys Power

Deca - Frame 2 Motor Circuit Breakers - Thermal-Magnetic

Product references - UL applications



Description:
p. B12/2 to B12/6

Characteristics:
p. B12/18 to B12/20

Curves:
p. B12/21 to B12/23

Dimensions:
p. B12/26 to B12/27

Schemes:
p. B12/27



GV2ME●●A

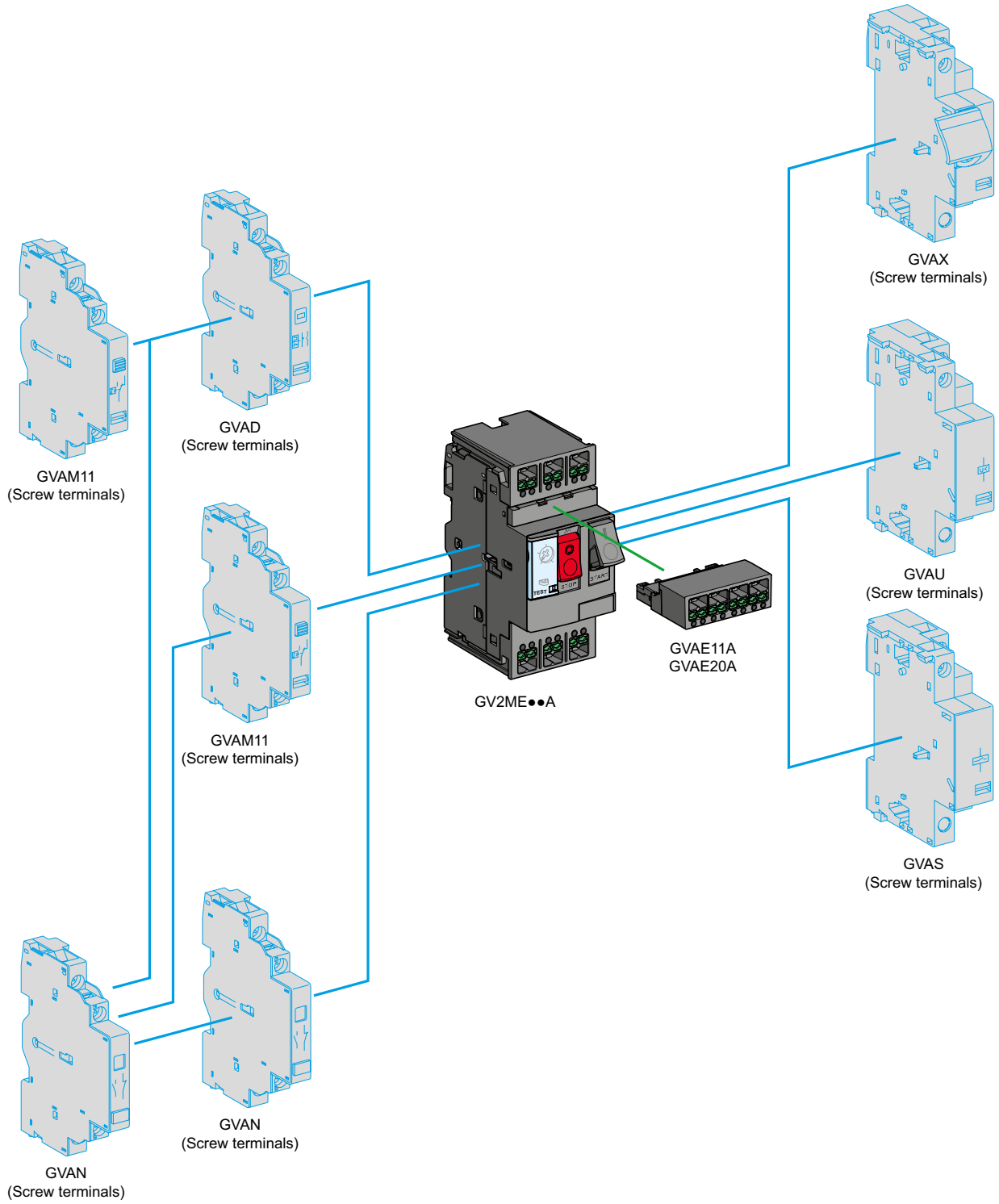
Motor circuit breakers from 3/4 to 20 HP / 460 V

Deca - Frame 2 (ref. GV2ME): control by push button, connection by SNAP IN terminals

Thermal setting (A)	Maximum Horsepower ratings									Group Motor applications Max. Fuse or Circuit breaker (A)	Reference
	Single-Phase			Three-Phase							
	115 V	200 V	230 V	115 V	200 V	230 V	460 V	575 V			
0.1...0.16	-	-	-	-	-	-	-	-	-	450	GV2ME01A
0.16...0.25	-	-	-	-	-	-	-	-	-	450	GV2ME02A
0.25...0.40	-	-	-	-	-	-	-	-	-	450	GV2ME03A
0.40...0.63	-	-	-	-	-	-	-	-	-	450	GV2ME04A
0.63...1	-	-	-	-	-	-	-	1/2	-	450	GV2ME05A
1...1.6	-	-	1/10	-	-	-	1/2	3/4	-	450	GV2ME06A
1.6...2.5	-	1/6	1/6	-	1/2	1/2	1	1.5	-	450	GV2ME07A
2.5...4	1/8	1/4	1/3	-	3/4	3/4	2	3	-	450	GV2ME08A
4...6.3	1/4	1/2	1/2	3/4	1	1.5	3	5	-	450	GV2ME10A
6...10	1/2	1	1.5	1	2	3	5	7.5	-	450	GV2ME14A
9...14	3/4	2	2	2	3	3	10	10	-	450	GV2ME16A
13...18	1	2	3	2	5	5	10	15	-	450	GV2ME20A
17...23	1.5	3	3	3	5	7.5	15	20	-	450	GV2ME21A
20...25	2	-	-	-	7.5	7.5	15	20	-	450	GV2ME22A
24...32	2	5	5	5	7.5	10	20	25	-	450	GV2ME32A ⁽¹⁾

(1) 2 x 10 AWG cables can be connected in parallel if 8 AWG is needed.

SNAP IN
motor
starters



TeSys Power

Deca - Frame 2 Motor Circuit Breakers - Contact Blocks: Connection by SNAP IN Terminals

Product references



Description:
p. B12/2 to B12/6

Characteristics:
p. B12/24

Dimensions:
p. B12/26

Schemes:
p. B12/27

PB123641.tif



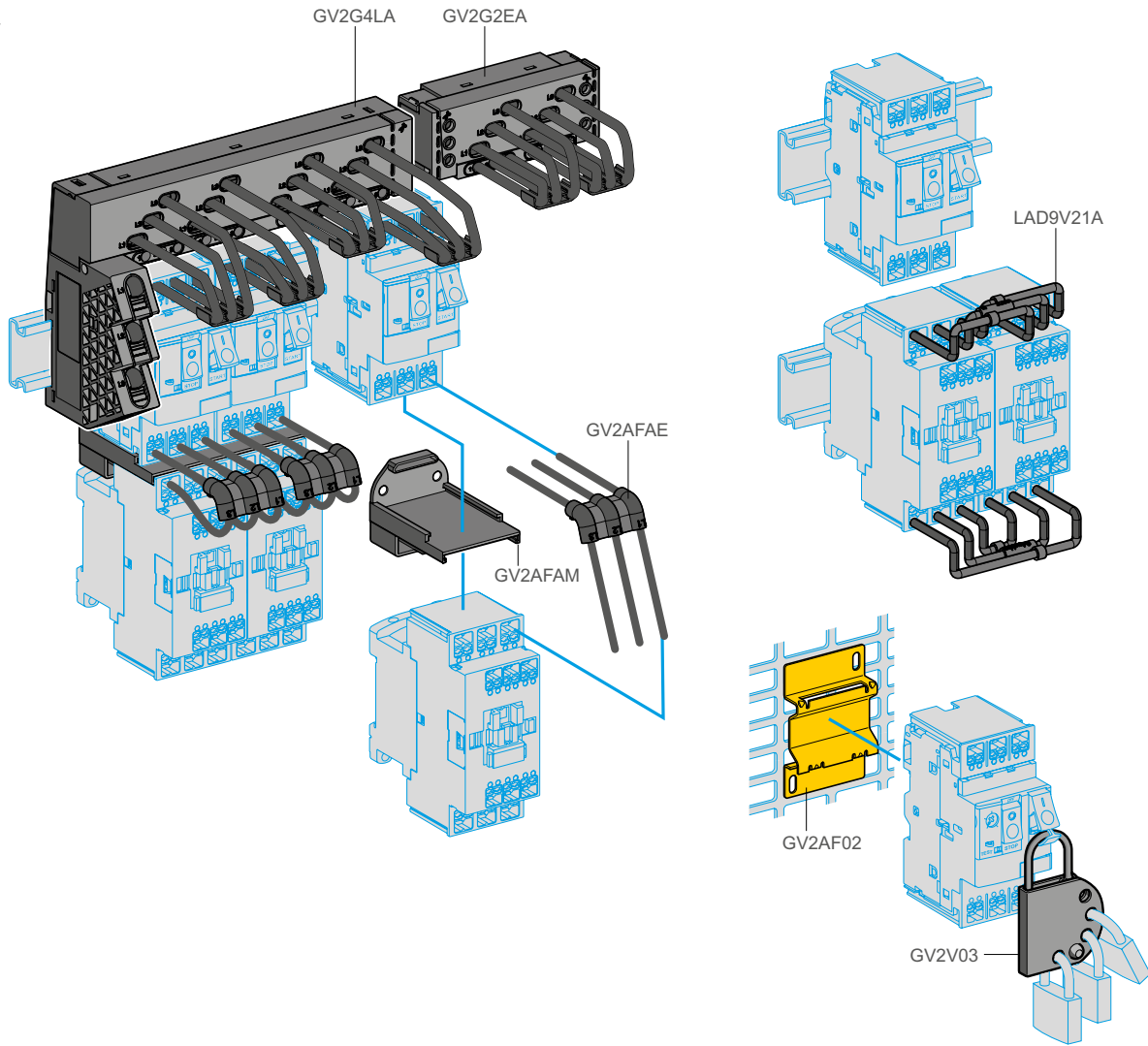
GVAE11A

Contact blocks: connection by SNAP IN terminals ⁽¹⁾

Description	Mounting	Maximum number	Type of contacts	Unit reference
Instantaneous auxiliary contacts	Front	1	N/O + N/C	GVAE11A
			N/O + N/O	GVAE20A

⁽¹⁾ For other screw version Auxiliaries (GVAD, GVAN, GVAM, GVAU, GVAS and GVAX), please refer to page B6/21 for more details.

SNAP IN
motor
starters





Description:
p. B12/2 to B12/6

Characteristics:
p. B12/25

Dimensions:
p. B12/27



Accessories for circuit breakers with SNAP IN connections

Description	Application	Sold in lots of	Unit reference	
Adapter plates	For mounting a GV2 by screw fixing	10	GV2AF02	
Combination blocks between GV2 and contactor LC1D09...D38	For 7.5 mm depth DIN Rail	4	GV2AFAM	
	For 15 mm depth DIN Rail	4 + 6	GV2AFAM + GV2AFAM1	
Description	Application	Number of tap-offs	Reference	
Sets of 3-pole lth = 63 A busbars	Left infeed	2	GV2G2LA	
		3	GV2G3LA	
		4	GV2G4LA	
		Right infeed	2	GV2G2RA
	3		GV2G3RA	
	4		GV2G4RA	
	Extension module		2	GV2G2EA
		4	GV2G4EA	
Description	le	Application	Sold in lots of	Unit reference
Flexible 3-pole connection for connecting a GV2 to a contactor LC1D09...D25	32	Maximum distance between mounting rails: 120 mm	4	GV2AFAE
Padlocking device	-	For use with up to 4 padlocks, Ø6 mm shank max. (padlocks not included)	1	GV2V03

TeSys Power

Deca - Frame 2 Motor Circuit Breakers

Product references

GV2AFAE
GV2AFAM
GV2AFAM1
GV2AF02
GV2G2EA
GV2G2LA
GV2G2RA
GV2G3LA
GV2G3RA
GV2G4EA
GV2G4LA
GV2G4RA
GV2ME01A
GV2ME02A
GV2ME03A
GV2ME04A
GV2ME05A
GV2ME06A
GV2ME07A
GV2ME08A
GV2ME10A
GV2ME14A
GV2ME16A
GV2ME20A
GV2ME21A
GV2ME22A
GV2ME32A
GV2V03
GVAE11A
GVAE20A

Technical Data for Designers

Deca - Frame 2:

- | | |
|---------------------------------|------------------|
| > Characteristics | B12/18 to B12/20 |
| > Curves | B12/21 to B12/23 |
| > Characteristics - accessories | B12/24 to B12/25 |
| > Dimensions, schemes | B12/26 to B12/27 |

TeSys Power

Deca - Frame 2 Motor Circuit Breakers

Characteristics



References:
p. B12/10 to B12/11

Curves:
p. B12/21 to B12/23

Dimensions:
p. B12/26 to B12/27

Schemes:
p. B12/27

Environment

Circuit breaker type			GV2ME**A
Conforming to standards			IEC/EN 60947-4-1, IEC/EN 60947-2, UL 60947-4-1, CSA C22.2 n° 60947-4-1
Product certifications			CB Scheme, CCC, CE, UKCA, cULus
Degree of protection (front face)	Conforming to IEC 60529	Open mounted	Against direct finger contact: IP20
Shock resistance	Conforming to IEC 60068-2-27		30 gn - 11 ms
Vibration resistance	Conforming to IEC 60068-2-6		5 gn (5 to 150 Hz)
Ambient air temperature	Storage		°C -40...+80
	Operation	Open mounted	°C -20...+60
		In enclosure	°C -20...+40
Temperature compensation	Open mounted		°C -20...+60
	In enclosure		°C -20...+40
Flame resistance	Conforming to IEC 60695-2-11	°C	960
Maximum operating altitude		m	2000
Suitable for isolation	Conforming to IEC 60947-1 § 8.1.7		Yes
Resistance to mechanical impact		J	0.5
			IK04
Sensitivity to phase failure			Yes, conforming to IEC 60947-4-1 § 8-2-1-5-2

Technical characteristics

Circuit breaker type			GV2ME**A
Utilisation category	Conforming to IEC 60947-2		A
	Conforming to IEC 60947-4-1		AC3/AC-3e
Rated operational voltage (Ue)	Conforming to IEC 60947-2		V 690
Rated insulation voltage (Ui)	Conforming to IEC 60947-2		V 690
Rated voltage	Conforming to UL 60947-4-1, CSA C22.2 n° 60947-4-1		V 600
Rated operational frequency	Conforming to IEC 60947-4-1, UL, CSA		Hz 50/60
Rated impulse withstand voltage (U imp)	Conforming to IEC 60947-2		kV 6
Total power dissipated per pole		W	2.5
Mechanical durability (C.O.: Closing, Opening)		C.O.	100 000
Electrical durability for AC-3e/415V duty (C.O.: Closing, Opening)	415 V In	C.O.	100 000
Duty class (maximum operating rate)		C.O./h	25
Maximum conventional rated thermal current (Ith)	Conforming to IEC 60947-4-1	A	0.16...32
Rated duty	Conforming to IEC 60947-4-1		Continuous duty

TeSys Power

Deca - Frame 2 Motor Circuit Breakers

Characteristics



References:
p. B12/10 to B12/11

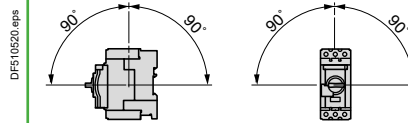
Curves:
p. B12/21 to B12/23

Dimensions:
p. B12/26 to B12/27

Schemes:
p. B12/27

Mounting characteristics

Operating position
Without derating, in relation to normal vertical mounting plane ⁽¹⁾



Products side by side



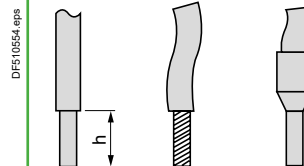
When several products **GV2ME●●A**, are mounted side by side, the thermal trip setting I_r may need to be adjusted up to $1.1 \times I_n$.

Do not exceed the maximum thermal setting I_r .
E.g: **GV2ME14A**, thermal setting range: 6...10, do not adjust I_r above 10 A.

Connection characteristics

Connection to SNAP IN terminals

Bare cables



Circuit breaker type		GV2ME●●A		
Connection to SNAP IN terminals (Max. number of conductors x c.s.a.)			Size 1: GV2ME01A...14A	Size 2: GV2ME16A...32A
	h	mm	10	12
	Solid cable	mm ²	2 x (0.5...2.5)	2 x (0.75...4)
	Flexible cable without cable end	mm ²	2 x (0.5 ⁽¹⁾ ...4)	2 x (0.75...6)
	Flexible cable with cable end	mm ²	2 x (0.5...2.5)	2 x (0.75...4)

⁽¹⁾ When mounting on a vertical rail, fit a stop to prevent any slippage.

⁽²⁾ For flexible cable with thin single conductors, it is recommended to use cable ends for preventing the wire from being damaged or severed by the spring.

TeSys Power

Deca - Frame 2 Motor Circuit Breakers - Thermal-Magnetic

Characteristics



References:
p. B12/10 to B12/11

Curves:
p. B12/21 to B12/23

Dimensions:
p. B12/26 to B12/27

Schemes:
p. B12/27

Breaking capacity of GV2ME●●A

Circuit breaker type			A	GV2ME									
				01 to 06 0.1 to 1.6	07 2.5	08 4	10 6.3	14 10	16 14	20 18	21 & 22 23 & 25	32 32	
Rating			A										
Breaking capacity conforming to IEC 60947-2	230/240 V	Icu	kA	*	*	*	*	*	*	*	*	50	50
		Ics % ⁽¹⁾		*	*	*	*	*	*	*	*	100	100
	400/415 V	Icu	kA	*	*	*	*	*	15	15	15	15	10
		Ics % ⁽¹⁾		*	*	*	*	*	50	50	40	50	50
	440 V	Icu	kA	*	*	*	50	15	8	8	6	6	6
		Ics % ⁽¹⁾		*	*	*	100	100	50	50	50	50	50
	500 V	Icu	kA	*	*	*	50	10	6	6	4	4	4
		Ics % ⁽¹⁾		*	*	*	100	100	75	75	75	75	75
	690 V	Icu	kA	*	3	3	3	3	3	3	3	3	3
		Ics % ⁽¹⁾		*	75	75	75	75	75	75	75	75	75
	Associated fuses (if required) if Ics > breaking capacity Icu conforming to IEC 60947-2	230/240 V	aM	A	*	*	*	*	*	*	*	80	80
			gG	A	*	*	*	*	*	*	*	100	100
400/415 V		aM	A	*	*	*	*	*	63	63	80	80	
		gG	A	*	*	*	*	*	80	80	100	100	
440 V		aM	A	*	*	*	50	50	50	50	63	63	
		gG	A	*	*	*	63	63	63	63	80	80	
500 V		aM	A	*	*	*	50	50	50	50	50	50	
		gG	A	*	*	*	63	63	63	63	63	63	
690 V		aM	A	*	16	25	32	32	40	40	40	40	
		gG	A	*	20	32	40	40	50	50	50	50	

* ≥100 kA.
(1) As % of Icu.

Circuit breaker type			A	GV2ME									
				01 to 06 0.1 to 1.6	07 2.5	08 4	10 6.3	14 10	16 14	20 18	21 23	22 25	32 32
Rating			A										
Cable protection against thermal stress in the event of short-circuit (PVC insulated copper cables)	Minimum c.s.a. protected at 40 °C at Isc max.	1 mm ²		●	●	●	≤ 10 kA	≤ 6 kA	(2)	(2)	(2)	(2)	(2)
		1.5 mm ²		●	●	●	≤ 20 kA	≤ 10 kA	(2)	(2)	(2)	(2)	(2)
		2.5 mm ²		●	●	●	●	●	●	●	●	●	(2)
		4...6 mm ²		●	●	●	●	●	●	●	●	●	●

● Cable c.s.a. protected.
(2) Cable c.s.a. not protected.



References:
p. B12/10 to B12/11

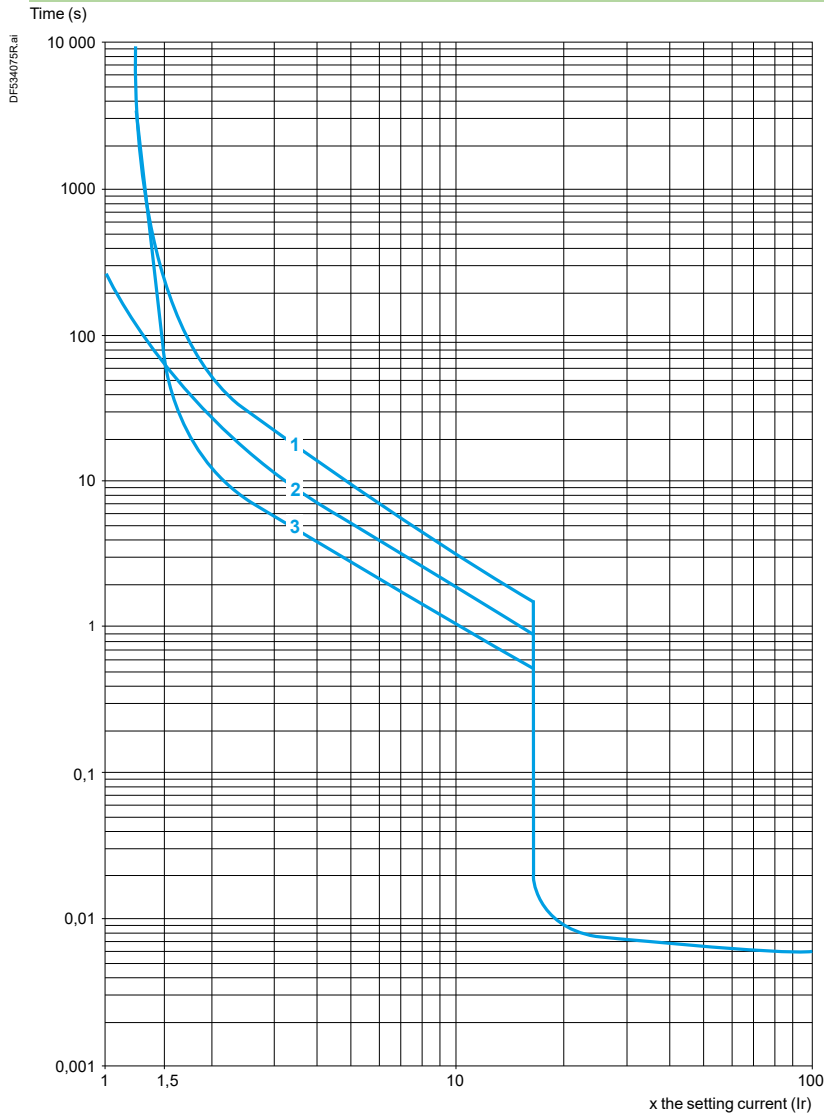
Characteristics:
p. B12/18 to B12/20

Dimensions:
p. B12/26 to B12/27

Schemes:
p. B12/27

Thermal-magnetic tripping curves for GV2ME

Average operating times at 20 °C related to multiples of the setting current



- 1 3 poles from cold state
- 2 2 poles from cold state
- 3 3 poles from hot state

TeSys Power

Deca - Frame 2 Motor Circuit Breakers - Thermal-Magnetic

Curves



References:
p. B12/10 to B12/11

Characteristics:
p. B12/18 to B12/20

Dimensions:
p. B12/26 to B12/27

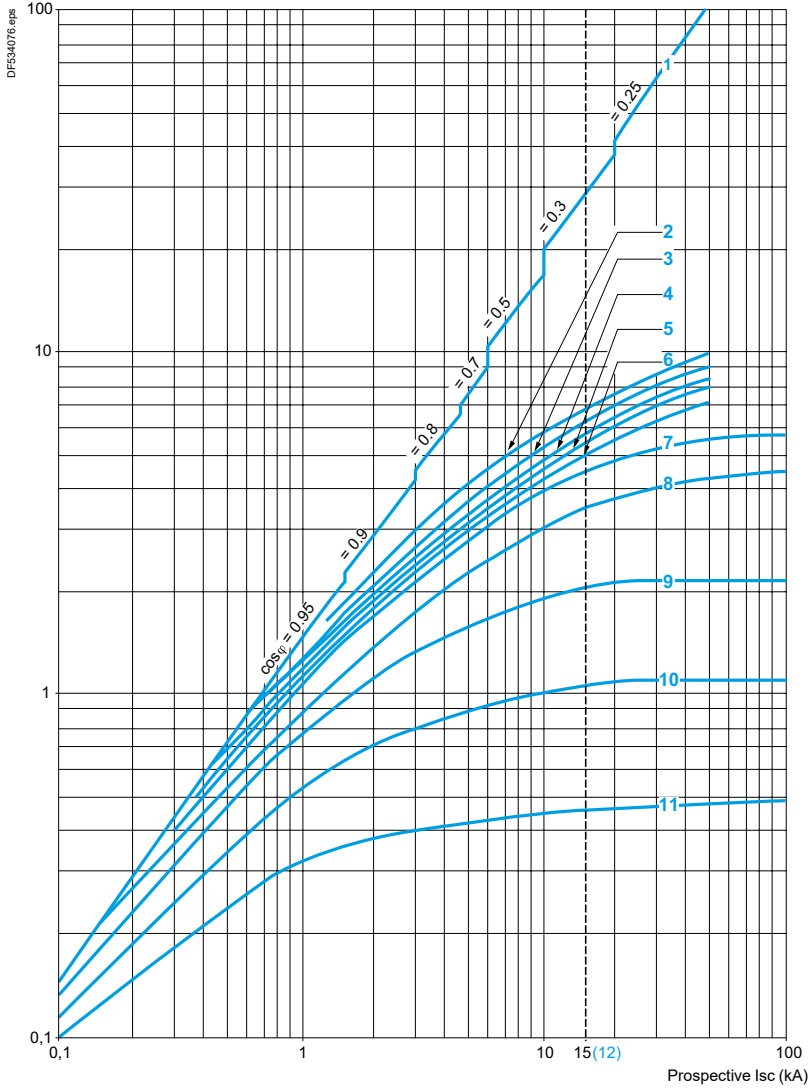
Schemes:
p. B12/27

Current limitation on short-circuit for GV2ME (3-phase 400/415 V)

Dynamic stress

$I_{peak} = f(\text{prospective } I_{sc}) \text{ at } 1.05 U_e = 435 \text{ V}$

Limited peak current (kA)



- 1 Maximum peak current
- 2 24 - 32 A
- 3 20 - 25 A
- 4 17 - 23 A
- 5 13 - 18 A
- 6 9 - 14 A
- 7 6 - 10 A
- 8 4 - 6.3 A
- 9 2.5 - 4 A
- 10 1.6 - 2.5 A
- 11 1 - 1.6 A
- 12 Limit of rated ultimate breaking capacity on short-circuit of GV2ME (14, 18, 23 and 25 A ratings)

SNAP IN
motor
starters



References:
p. B12/10 to B12/11

Characteristics:
p. B12/18 to B12/20

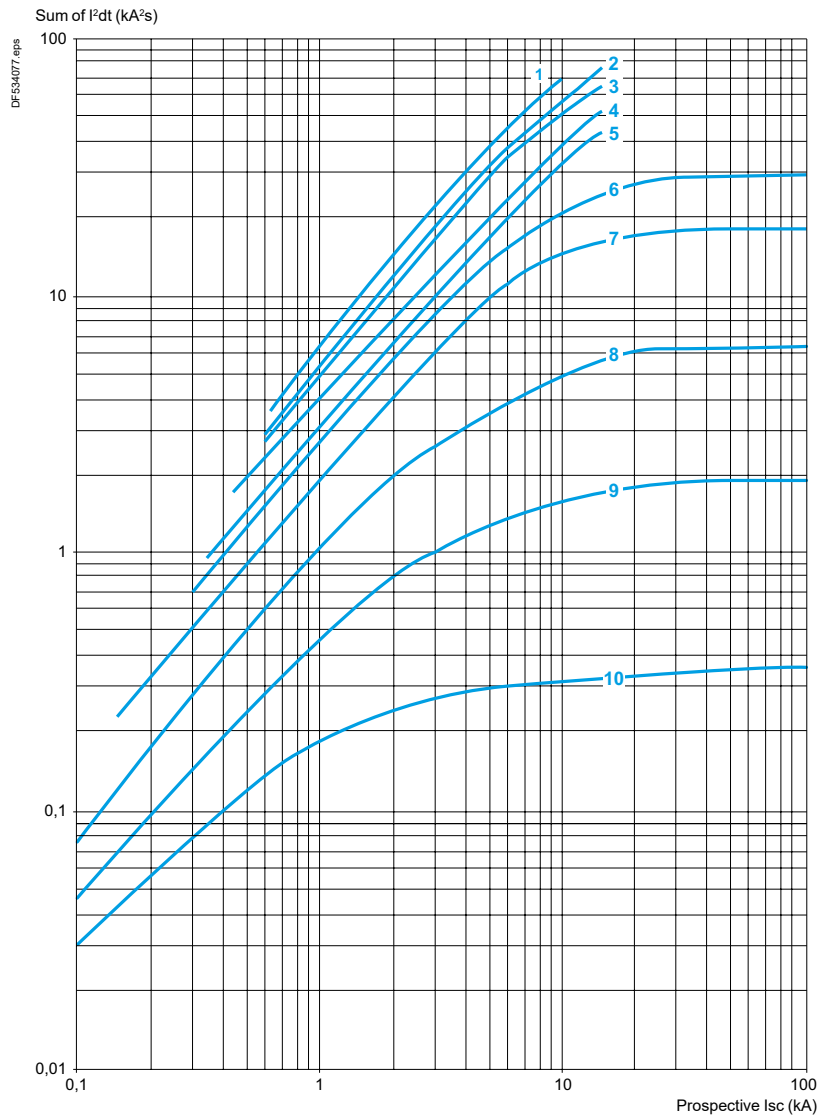
Dimensions:
p. B12/26 to B12/27

Schemes:
p. B12/27

Thermal limit on short-circuit for GV2ME

Thermal limit in kA²s in the magnetic operating zone

Sum of I²dt = f (prospective I_{sc}) at 1.05 U_e = 435 V



- 1 24 - 32 A
- 2 20 - 25 A
- 3 17 - 23 A
- 4 13 - 18 A
- 5 9 - 14 A
- 6 6 - 10 A
- 7 4 - 6.3 A
- 8 2.5 - 4 A
- 9 1.6 - 2.5 A
- 10 1 - 1.6 A



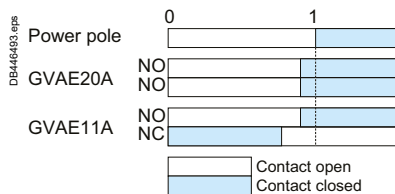
References:
p. B12/13

Dimensions:
p. B12/26

Schemes:
p. B12/27

Type of contacts		Instantaneous auxiliary GVAE**A				
Rated insulation voltage (Ui) (associated insulation coordination)	Conforming to IEC 60947-1	V	250 (690 in relation to main circuit)			
	Conforming to UL 60947-4-1, CSA C22.2 n° 60947-4-1	V	300			
Conventional thermal current (Ith)	Conforming to IEC 60947-5-1	A	2.5			
	Conforming to UL 60947-5-1, CSA C22.2 n° 60947-5-1	A	1			
Mechanical durability (C.O.: Close - Open)		C.O.	100 000			
Operational power and current conforming to IEC 60947-5-1. AC operation			AC-15/100 000 C.O.			
	Rated operational voltage (Ue)	V	24	48	110...127	230...240
Operation	Operational power, normal conditions	VA	48	60	120	120
	Occasional breaking and making capacities, abnormal conditions	kVA	0.48	0.6	1.27	2.4
	Rated operational current (Ie)	A	2	1.25	1	0.5
Operational power and current conforming to IEC 60947-5-1. DC			DC-13/100 000 C.O.			
	Rated operational voltage (Ue)	V	24	48	60	-
Operation	Operational power, normal conditions	W	24	15	9	-
	Occasional breaking and making capacities, abnormal conditions	W	100	50	50	-
	Rated operational current (Ie)	A	1	0.3	0.15	-
Low power switching reliability of contact			GVAE : Number of failures for "n" million operating cycles (17 V-5 mA): = 10 ⁻⁶			
Minimum operational conditions		V	17			
		mA	5			
Short-circuit protection			GB2CB06 or gG fuse 10 A max			
Cabling, SNAP IN terminals	Number of conductors		2			
	Solid cable	mm²	0.5...2.5			
	Flexible cable without cable end	mm²	0.5 ⁽¹⁾ ...4			
	Flexible cable with cable end	mm²	0.5...2.5			
	Strip length	mm	10			

Operation of instantaneous auxiliary contacts



(1) For flexible cable with thin single conductors, it is recommended to use cable ends for preventing the wire from being damaged or severed by the spring.

TeSys Power

Accessories for Deca - Frame 2 Motor Circuit Breakers

Characteristics



References:
p. B12/15

Dimensions:
p. B12/27

Characteristics of 3-pole busbars GV2G●●A

Rated insulation voltage (Ui)	Conforming to IEC 60947-1	V	690
Conventional thermal current (Ith)	Conforming to IEC 60439-1	A	63
Rated operational current (Ie)		A	63
Permissible peak current (I peak)		kA	11
Permissible thermal limit (I ² t)		kA²s	104
Degree of protection	Conforming to IEC 60529		IP 20

SNAP IN
motor
starters

TeSys Power

Deca - Frame 2 Motor Circuit Breakers - Thermal-Magnetic

Dimensions and mounting



References:
p. B12/10 to B12/13

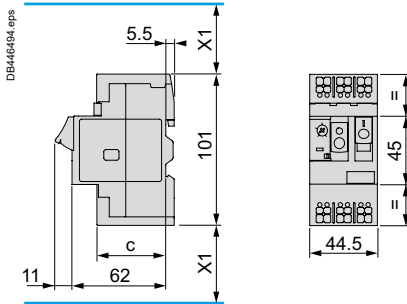
Characteristics:
p. B12/18 to B12/24

Curves:
p. B12/21 to B12/23

Schemes:
p. B12/27

Dimensions

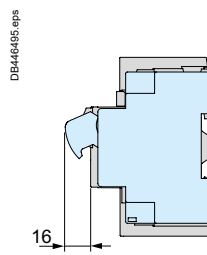
GV2ME••A



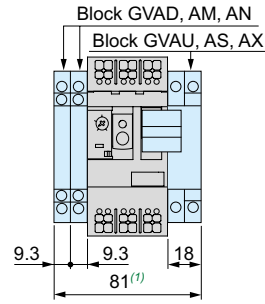
	c
Size 1: GV2ME01A...14A	45.5
Size 2: GV2ME16A...32A	49

X1 Electrical clearance = 40 mm for $U_e \leq 690$ V.

GVAX

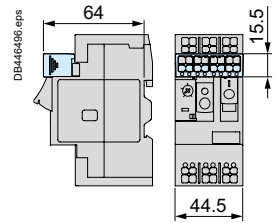


GVAD, AM, AN, AU, AS, AX



(1) Maximum.

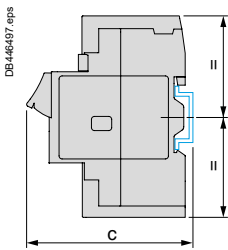
GVAE••A



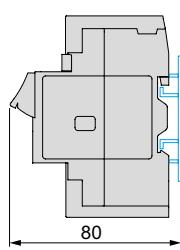
Mounting

GV2ME••A

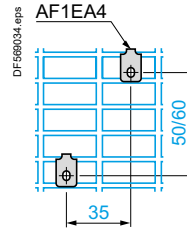
On 35 mm L rail



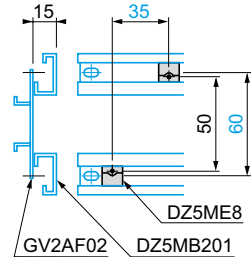
On panel with adapter plate GV2AF02



On pre-slotted plate AM1PA



On rails DZ5MB201

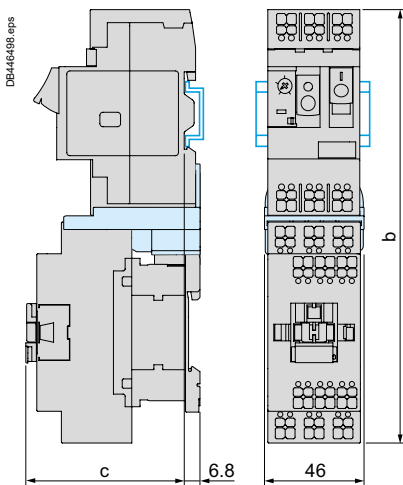


$c = 78.5$ on AM1 DP200 (35 x 7.5)
 $c = 86$ on AM1 DE200, ED200 (35 x 15)

Dimensions

GV2AFAM

Combination GV2ME••A + LC1D••A contactor



GV2ME +	LC1D09 ...D18 AC	LC1D25 ...D32 AC	LC1D09 ...D18 DC	LC1D25 ...D32 DC
b	210.5	213.5	210.5	213.5
c	78.7	83.7	87.7	93.2

SNAP IN
motor
starters

TeSys Power

Deca - Frame 2 Motor Circuit Breakers - Thermal-Magnetic

Dimensions, mounting and schemes



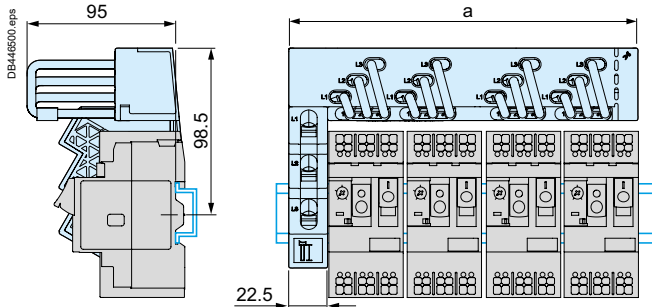
References:
p. B12/10 to B12/15

Characteristics:
p. B12/18 to B12/25

Curves:
p. B12/21 to B12/23

Dimensions and Mounting

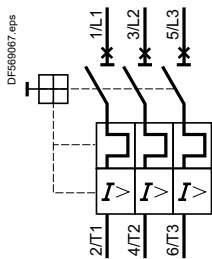
GV2ME••A + GV2G••A busbars



	a
GV2G2LA / GV2G2RA	115 mm
GV2G3LA / GV2G3RA	158 mm
GV2G4LA / GV2G4RA	203 mm

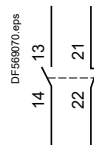
Schemes

GV2ME••A

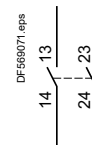


Front mounting add-on contact blocks Instantaneous auxiliary contacts

GVAE11A



GVAE20A





TeSys Control Deca Contactors

Introduction

B12/2

TeSys Deca Motor Circuit Breakers


Type of product	Range		Pages
AC-3/AC-3e Applications - 3-pole TeSys Deca Frame 2 Motor Circuit Breakers - Thermal-Magnetic (Product ref. GV2ME••A)	0.06 to 15 kW / 400/415 V		B12/10
UL Applications - TeSys Deca Frame 2 Motor Circuit Breakers	3/4 to 20 HP / 460 V		B12/11
Contact Blocks: Connection by SNAP IN Terminals			B12/13
Mounting and Connection Accessories			B12/15

Technical Data for Designers

B12/17

TeSys Deca contactors

B12/29


AC-3/AC-3e Applications - 3-pole TeSys Deca Contactors	From 9 to 32 A		B12/31
AC-1 Applications - 3-pole TeSys Deca Contactors	From 20 to 40 A		B12/32
UL and CSA Applications - 3-pole TeSys Deca Contactors	From 25 to 40 A		B12/33
Auxiliary Contact Blocks, Assembly Kits for TeSys Deca Contactors			B12/35

Technical Data for Designers

B12/39

TeSys Deca Control Relays

B12/55

Relays 5 Contacts, Simultaneous Action			B12/57
--	--	---	--------

Note: For auxiliaries please refer to pages B12/34 and B12/35.

Technical Data for Designers

B12/59



SNAP IN
motor
starters



Description:
p. B12/2 to B12/6

Characteristics:
p. B12/40 to B12/45

Curves:
p. B12/45

Dimensions:
p. B12/47 to B12/51

Schemes:
p. B12/52

PB 12660 11r



LC1D09AP7

PB 12661 11r



LC1D25AP7

3-pole contactors - Motor control up to 15 kW at 400 V, in category AC-3/AC-3e

Standard power ratings of 3-phase motors 50-60 Hz in category AC-3/AC-3e ⁽²⁾ ($\theta \leq 60^\circ\text{C}$)								Rated operational current in AC-3/AC-3e 440 V up to	Instantaneous auxiliary contacts 	Basic reference, to be completed by adding the control voltage code Fixing ⁽¹⁾
220 V 230 V	380 V 400 V	415 V	440 V	500 V	660 V 690 V	1000 V				
kW	kW	kW	kW	kW	kW	kW	A			
2.2	4	4	4	5.5	5.5		9	1	1	LC1D09A●●
3	5.5	5.5	5.5	7.5	7.5		12	1	1	LC1D12A●●
4	7.5	9	9	10	10		18	1	1	LC1D18A●●
5.5	11	11	11	15	15		25	1	1	LC1D25A●●
7.5	15	15	15	18.5	18.5		32	1	1	LC1D32A●●

Separate components

Auxiliary contact blocks and add-on modules: see pages B12/34 to B12/35.

Standard control circuit voltages (for other voltages, please consult your Regional Sales Office)

AC supply

Volts	12	24	32	42	48	100	110	115	120	127	200	208	220	230	240	277	380	400	415	440	480	500	600	690
-------	----	----	----	----	----	-----	-----	-----	-----	-----	-----	-----	-----	-----	-----	-----	-----	-----	-----	-----	-----	-----	-----	-----

LC1D09A...D32A

50/60 Hz	J7	B7	C7	D7	E7	K7	F7	FE7	G7	FC7	L7	LE7	M7	P7	U7	W7	Q7	V7	N7	R7	T7	S7	X7	Y7
----------	----	----	----	----	----	----	----	-----	----	-----	----	-----	----	----	----	----	----	----	----	----	----	----	----	----

DC supply

Volts	12	24	36	48	60	72	100	110	125	220	250	440
-------	----	----	----	----	----	----	-----	-----	-----	-----	-----	-----

LC1D09A...D32A (coils with integral suppression device fitted as standard, by bi-directional peak limiting diode)

0.7...1.25 U _c	JD	BD	CD	ED	ND	SD	KD	FD	GD	MD	UD	RD
---------------------------	----	----	----	----	----	----	----	----	----	----	----	----

Low consumption DC supply

Volts DC	12	20	24	48	72	110	220	250
----------	----	----	----	----	----	-----	-----	-----

LC1D09A...D32A (coils with integral suppression device fitted as standard, by bi-directional peak limiting diode)

0.8...1.25 U _c	JL	ZL	BL	EL	SL	FL	ML	UL
---------------------------	----	----	----	----	----	----	----	----

AC/DC supply

Volts	24...60	48...130	100...250
-------	---------	----------	-----------

LC1D09A...D32A (coils with integral suppression device fitted as standard, by bi-directional peak limiting diode)

0.85...1.1 U _c	BNE	EHE	KUE
---------------------------	-----	-----	-----

(1) LC1D09A to D32A: clip-on mounting on 35 mm \perp rail NSYSR or screw fixing.

(2) For Coordination Tables, please refer to Chapter A5.

TeSys Control

Deca Contactors

Product references



Description:
p. B12/2 to B12/6

Characteristics:
p. B12/40 to B12/45

Curves:
p. B12/45

Dimensions:
p. B12/47 to B12/49

Schemes:
p. B12/52



LC1D09AP7



LC1D25AP7

3-pole contactors - Load control from 20 to 40 A in category AC-1

Non inductive loads maximum current ($\theta \leq 60^\circ\text{C}$) utilisation category AC-1	Number of poles	Instantaneous auxiliary contacts		Basic reference, to be completed by adding the control voltage code Fixing ⁽¹⁾	Weight ⁽²⁾
A					kg
Connection by spring terminals					
20	3	1	1	LC1D09A●● or LC1D12A●●	0.387
25	3	1	1	LC1D18A●●	0.454
40	3	1	1	LC1D25A●● ⁽³⁾	0.454
	3	1	1	LC1D32A●● ⁽³⁾	0.454

Separate components

Auxiliary contact blocks and add-on modules: see pages B12/34 to B12/35.

Standard control circuit voltages (for other voltages, please consult your Regional Sales Office)

AC supply

Volts 12 24 32 42 48 100 110 115 120 127 200 208 220 230 240 277 380 400 415 440 480 500 600 690

LC1D09A...D32A

50/60 Hz J7 B7 C7 D7 E7 K7 F7 FE7 G7 FC7 L7 LE7 M7 P7 U7 W7 Q7 V7 N7 R7 T7 S7 X7 Y7

DC supply

Volts 12 24 36 48 60 72 100 110 125 220 250 440

LC1D09A...D32A (coils with integral suppression device fitted as standard, by bi-directional peak limiting diode)

U 0.7...1.25 U_c JD BD CD ED ND SD KD FD GD MD UD RD

Low consumption DC supply

Volts DC 12 20 24 48 72 110 220 250

LC1D09A...D32A (coils with integral suppression device fitted as standard, by bi-directional peak limiting diode)

U 0.8...1.25 U_c JL ZL BL EL SL FL ML UL

⁽¹⁾ LC1D09A to D32A: clip-on mounting on 35 mm \sqcup rail NSYS DR or screw fixing.

⁽²⁾ The weights indicated are for contactors with AC control circuit. For DC or low consumption control circuit, add 0.160 kg from LC1D09A to D32A.

⁽³⁾ 40 A with 2 cables (1 x 4 mm² + 1 x 6 mm²) connected in parallel.

TeSys Control

Deca Contactors

Product references



Description:
p. B12/2 to B12/6

Characteristics:
p. B12/40 to B12/45

Curves:
p. B12/45

Dimensions:
p. B12/47 to B12/49

Schemes:
p. B12/52



LC1D09AP7



LC1D25AP7

Contactors conforming to UL and CSA standards (North American market) - 25 to 40 A

Standard power ratings of motors 50/60 Hz						Associated cable type 75 °C-Cu	UL continuous current	Type of contactor required Basic reference, to be completed by adding the control voltage code Fixing, connection ⁽¹⁾
Single-phase 1 Ø		3-phase 3 Ø						
120 V	240 V	208 V	240 V	480 V	600 V			
HP	HP	HP	HP	HP	HP		A	
Connection by SNAP IN terminals								
1/3	1	2	2	5	7.5	20-12 AWG	25	LC1D09A●●
0.5	2	3	3	7.5	10	20-12 AWG	25	LC1D12A●●
1	3	5	5	10	15	18-10 AWG	32	LC1D18A●●
2	3	7.5	7.5	15	20	18-10 AWG	40 ⁽²⁾	LC1D25A●●
2	5	10	10	20	25	18-10 AWG	40 ⁽²⁾	LC1D32A●●

Applications with High-Fault Short-Circuit ratings

High-fault short-circuit current ratings are: 100 kA (D09A...D32A) at 600 V with Class J fuses, 85 kA (D09A...D32A) at 480 V and 50 kA (D09A...D32A) at 600 V with circuit breakers.

Standard control circuit voltages (for other voltages, please consult your Regional Sales Office)

AC supply

Volts 12 24 32 42 48 100 110 115 120 127 200 208 220 230 240 277 380 400 415 440 480 500 600 690

LC1D09A...D32A

50/60 Hz J7 B7 C7 D7 E7 K7 F7 FE7 G7 FC7 L7 LE7 M7 P7 U7 W7 Q7 V7 N7 R7 T7 S7 X7 Y7

DC supply

Volts 12 24 36 48 60 72 100 110 125 220 250 440

LC1D09A...D32A (coils with integral suppression device fitted as standard, by bi-directional peak limiting diode)

U 0.7...1.25 Uc JD BD CD ED ND SD KD FD GD MD UD RD

Low consumption DC supply

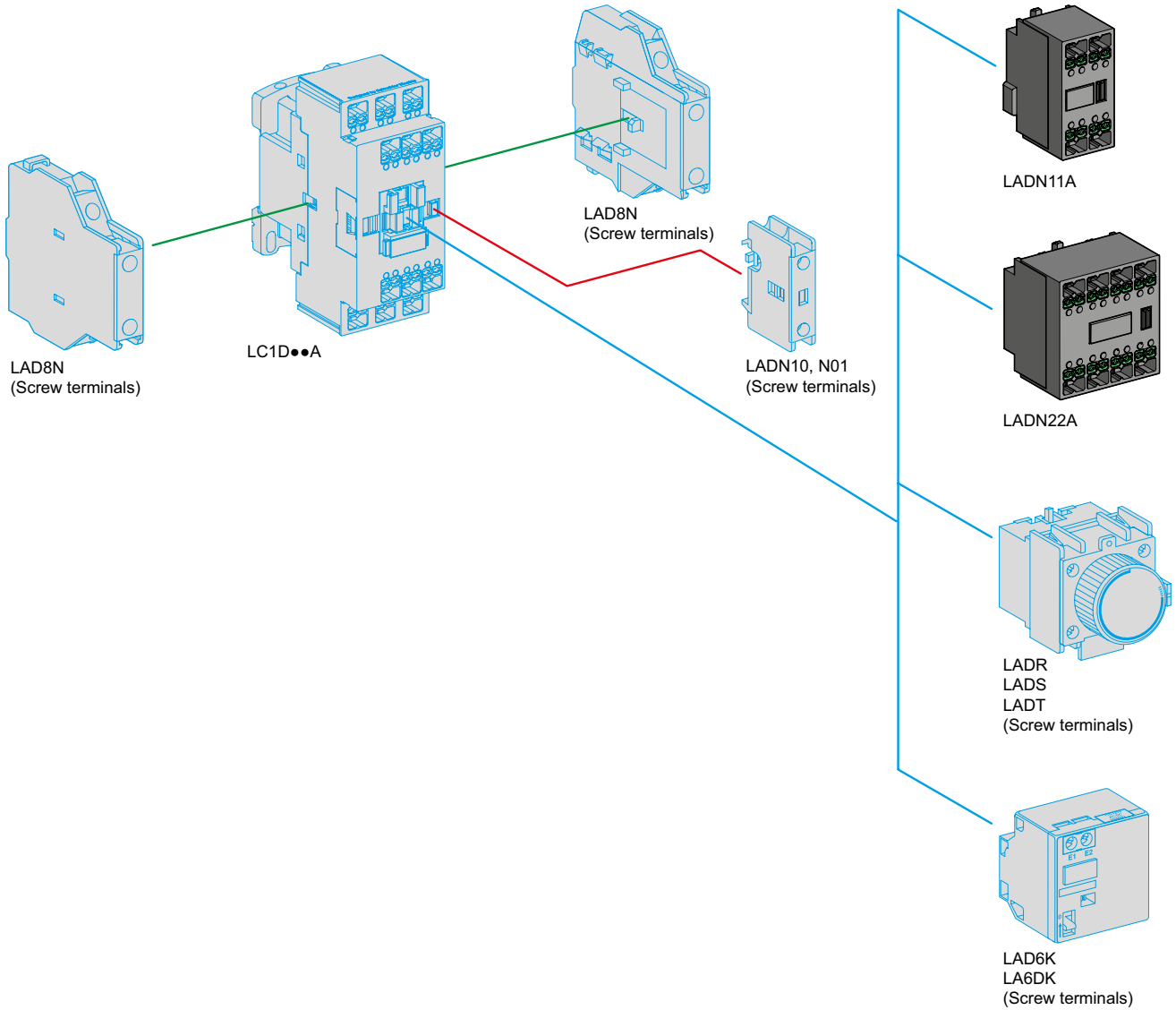
Volts DC 12 20 24 48 72 110 220 250

LC1D09A...D32A (coils with integral suppression device fitted as standard, by bi-directional peak limiting diode)

U 0.8...1.25 Uc JL ZL BL EL SL FL ML UL

(1) LC1D09A to D32A: clip-on mounting on 35 mm L rail NSYSR or screw fixing.

(2) 40 A with 2 x 10 AWG cables connected in parallel.



Note: Other accessories like Side contact blocks, Time delay auxiliary contact blocks, Mechanical latch blocks are available in screw terminals version. Please refer to pages B8/36 to B8/39 for more details.

TeSys Control

Deca Advanced, Deca Contactors - Auxiliary Contact Blocks

Product references



Description:
p. B12/2 to B12/6

Characteristics:
p. B12/46

Dimensions:
p. B12/47 to B12/50

Schemes:
p. B12/52



LADN11A



LADN22A

Instantaneous auxiliary contact blocks for connection by SNAP IN terminals

For use in normal operating environments

Clip-on mounting	Number of contacts per block	Composition					Reference
Front	2	-	-	-	1	1	LADN11A
		-	-	-	2	-	LADN20A
	4	-	-	-	-	2	LADN02A
		-	-	-	2	2	LADN22A
		-	-	-	1	3	LADN13A
		-	-	-	4	-	LADN40A
		-	-	-	-	4	LADN04A
		-	-	-	3	1	LADN31A

Maximum number of auxiliary contacts that can be fitted:

Coil Type	Number of poles and size	Instantaneous auxiliary contacts					Time delay
		Side mounted ⁽⁴⁾	Front mounted				
			1 contact	2 contacts	4 contacts	1 block	
AC	3P LC1D09A...D32A	1 on LH or 1 on RH side ⁽¹⁾ and	-	1	or 1	or 1	
AC/DC	3P LC1D09A...D32A	-	-	1	or 1	or 1	
DC	3P LC1D09A...D32A	-	-	1	-	-	
LC ^{(2) (3)}	3P LC1D09A...D32A	-	-	1	-	-	

(1) 1 on LH side for AC coils - 1 on RH side for AC/DC coils.

(2) LC: low consumption.

(3) LA1D●●● dust & damp proof auxiliary contact blocks not allowed with LC coils.

(4) Other auxiliaries, including Side mounted contact blocks, are available in screw terminals version. Please refer to page B8/37 for more details.

TeSys Control

Deca Advanced, Deca Contactors - Assembly Kits

Product references



Description:
p. B12/2 to B12/6

Dimensions:
p. B12/53

Schemes:
p. B12/54



LAD9V0A



LAD9V21A



LAD9V19A

For 3-pole reversing contactors for motor control

Contactors with SNAP IN terminals. Horizontally mounted, assembled by customer.

Description	For contactors (2 identical contactors)	Reference
Interlocks		
Mechanical interlock without integral electrical interlocking	LC1D09A to D32A	LAD9V2
Electrical interlock	LC1D09A to D32A	LAD9V0A
Sets of power connections		
Comprising: ■ a set of parallel bars ■ a set of reverser bars.	LC1D09A...D32A with SNAP IN terminal connections	LAD9V21A

For star-delta starter

Contactors with SNAP IN terminals.

Description	For contactors	Reference
Interlocks		
Mechanical interlock without integral electrical interlocking	LC1D09A to D32A	LAD9V2
Electrical interlock	LC1D09A to D32A	LAD9V0A
Sets of power connections		
Comprising: ■ a set of parallel bars ■ a set of reverser bars ■ a set of star jumpers.	LC1D09A to D32A same frame ⁽¹⁾	LAD91218A

For 3-pole changeover contactor pairs

Contactors with SNAP IN terminals. Horizontally mounted, assembled by customer.

Description	For contactors (2 identical contactors)	Reference
Interlocks		
Mechanical interlock without integral electrical interlocking	LC1D09A to D32A	LAD9V2
Electrical interlock	LC1D09A to D32A	LAD9V0A
Set of power connections		
Comprising a set of parallel bars	LC1D09A to D32A	LAD9V19A

(1) For assembly of 3 contactors of the same size.

TeSys Control

Deca Advanced, Deca Contactors

Product references

LAD91218A	LC1D09AV7	LC1D18ABNE	LC1D25AF7	LC1D32AJD
LAD93218A	LC1D09AW7	LC1D18AC7	LC1D25AFC7	LC1D32AJL
LAD9V0A	LC1D09AX7	LC1D18ACD	LC1D25AFD	LC1D32AK7
LAD9V19A	LC1D09AY7	LC1D18AD7	LC1D25AFE7	LC1D32AKD
LAD9V21A	LC1D09AZL	LC1D18AE7	LC1D25AFL	LC1D32AKUE
LADN02A	LC1D12AB7	LC1D18AED	LC1D25AG7	LC1D32AL7
LADN04A	LC1D12ABD	LC1D18AEHE	LC1D25AGD	LC1D32ALE7
LADN11A	LC1D12ABL	LC1D18AEL	LC1D25AJ7	LC1D32AM7
LADN13A	LC1D12ABNE	LC1D18AF7	LC1D25AJD	LC1D32AMD
LADN20A	LC1D12AC7	LC1D18AFC7	LC1D25AJL	LC1D32AML
LADN22A	LC1D12ACD	LC1D18AFD	LC1D25AK7	LC1D32AN7
LADN31A	LC1D12AD7	LC1D18AFE7	LC1D25AKD	LC1D32AND
LADN40A	LC1D12AE7	LC1D18AFL	LC1D25AKUE	LC1D32AP7
LC1D09AB7	LC1D12AED	LC1D18AG7	LC1D25AL7	LC1D32AQ7
LC1D09ABD	LC1D12AEHE	LC1D18AGD	LC1D25ALE7	LC1D32AR7
LC1D09ABL	LC1D12AEL	LC1D18AJ7	LC1D25AM7	LC1D32ARD
LC1D09ABNE	LC1D12AF7	LC1D18AJD	LC1D25AMD	LC1D32AS7
LC1D09AC7	LC1D12AFC7	LC1D18AJL	LC1D25AML	LC1D32ASD
LC1D09ACD	LC1D12AFD	LC1D18AK7	LC1D25AN7	LC1D32ASL
LC1D09AD7	LC1D12AFE7	LC1D18AKD	LC1D25AND	LC1D32AT7
LC1D09AE7	LC1D12AFL	LC1D18AKUE	LC1D25AP7	LC1D32AU7
LC1D09AED	LC1D12AG7	LC1D18AL7	LC1D25AQ7	LC1D32AUD
LC1D09AEHE	LC1D12AGD	LC1D18ALE7	LC1D25AR7	LC1D32AUL
LC1D09AEL	LC1D12AJ7	LC1D18AM7	LC1D25ARD	LC1D32AV7
LC1D09AF7	LC1D12AJD	LC1D18AMD	LC1D25AS7	LC1D32AW7
LC1D09AFC7	LC1D12AJL	LC1D18AML	LC1D25ASD	LC1D32AX7
LC1D09AFD	LC1D12AK7	LC1D18AN7	LC1D25ASL	LC1D32AY7
LC1D09AFE7	LC1D12AKD	LC1D18AND	LC1D25AT7	LC1D32AZL
LC1D09AFL	LC1D12AKUE	LC1D18AP7	LC1D25AU7	
LC1D09AG7	LC1D12AL7	LC1D18AQ7	LC1D25AUD	
LC1D09AGD	LC1D12ALE7	LC1D18AR7	LC1D25AUL	
LC1D09AJ7	LC1D12AM7	LC1D18ARD	LC1D25AV7	
LC1D09AJD	LC1D12AMD	LC1D18AS7	LC1D25AW7	
LC1D09AJL	LC1D12AML	LC1D18ASD	LC1D25AX7	
LC1D09AK7	LC1D12AN7	LC1D18ASL	LC1D25AY7	
LC1D09AKD	LC1D12AND	LC1D18AT7	LC1D25AZL	
LC1D09AKUE	LC1D12AP7	LC1D18AU7	LC1D32AB7	
LC1D09AL7	LC1D12AQ7	LC1D18AUD	LC1D32ABD	
LC1D09ALE7	LC1D12AR7	LC1D18AUL	LC1D32ABL	
LC1D09AM7	LC1D12ARD	LC1D18AV7	LC1D32ABNE	
LC1D09AMD	LC1D12AS7	LC1D18AW7	LC1D32AC7	
LC1D09AML	LC1D12ASD	LC1D18AX7	LC1D32ACD	
LC1D09AN7	LC1D12ASL	LC1D18AY7	LC1D32AD7	
LC1D09AND	LC1D12AT7	LC1D18AZL	LC1D32AE7	
LC1D09AP7	LC1D12AU7	LC1D25AB7	LC1D32AED	
LC1D09AQ7	LC1D12AUD	LC1D25ABD	LC1D32AEHE	
LC1D09AR7	LC1D12AUL	LC1D25ABL	LC1D32AEL	
LC1D09ARD	LC1D12AV7	LC1D25ABNE	LC1D32AF7	
LC1D09AS7	LC1D12AW7	LC1D25AC7	LC1D32AFC7	
LC1D09ASD	LC1D12AX7	LC1D25ACD	LC1D32AFD	
LC1D09ASL	LC1D12AY7	LC1D25AD7	LC1D32AFE7	
LC1D09AT7	LC1D12AZL	LC1D25AE7	LC1D32AFL	
LC1D09AU7	LC1D18AB7	LC1D25AED	LC1D32AG7	
LC1D09AUD	LC1D18ABD	LC1D25AEHE	LC1D32AGD	
LC1D09AUL	LC1D18ABL	LC1D25AEL	LC1D32AJ7	

This document is current.  Click on the product reference to get the most recent availability status (hyperlink to [se.com](https://www.se.com) product datasheet).
If your product variant is no longer available, please consult your distributor or regional sales office.

SNAP IN
motor
starters

Technical Data for Designers

Deca Advanced, Deca contactors:

- > Characteristics B12/40 to B12/46
- > Dimensions, mounting and schemes B12/47 to B12/54

TeSys Control

Deca Advanced, Deca Contactors

Characteristics



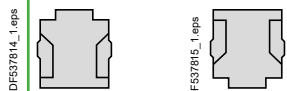
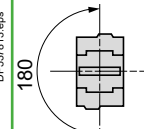
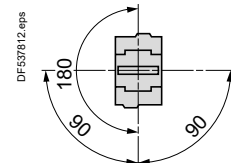
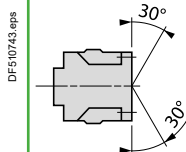
References:
p. B12/31 to B12/33

Curves:
p. B12/45

Dimensions:
p. B12/47 to B12/51

Schemes:
p. B12/52

Environment			D09A, D12A and D18A	D25A and D32A
Rated insulation voltage (Ui)	Conforming to IEC 60947-4-1, overvoltage category III, degree of pollution: 3	V	690	
	Conforming to UL, CSA	V	600	
Rated impulse withstand voltage (Uimp)	Conforming to IEC 60947	kV	6	
Conforming to standards			IEC/EN 60947-4-1, IEC/EN 60947-5-1, GB/T 14048.4, UL 60947-4-1, CSA C22.2 n° 60947-4-1, UL 60947-5-1, CSA C22.2 n° 60947-5-1	
Product certifications			CB Scheme, CCC, CE, UKCA, cULus	
Degree of protection ⁽¹⁾ (front face)	Conforming to IEC 60529			
	Power circuit connections		Protection against direct finger contact IP20	
	Coil connection		Protection against direct finger contact IP20	
Climatic withstand			According to IACS E10 and IEC 60947-1 Annex Q category D	
Ambient air temperature around the device	Storage	°C	-60...+80	
	Operation ⁽²⁾	°C	-40...+60	
	Allowed with derating ^{(2) (3)}	°C	+60...+70 at U _c to 1.●● x U _c	
Maximum operating altitude	Without derating	m	3000	
Operating positions ⁽⁴⁾	Without derating in the following positions		AC and DC coils AC/DC and "BBE" coils	AC coils AC/DC and "BBE" coils
			DC coils	
	Positions that are not allowed		For DC coils contactors LC1D09 to LC1D32	
Flame resistance	Conforming to IEC 60695-2-11	°C	850	
Shock resistance ⁽⁵⁾ 1/2 sine wave = 11 ms Conforming to IEC/EN 60068-2-27	Contactor open		10 gn	8 gn
	Contactor closed		15 gn	15 gn
Vibration resistance ⁽⁵⁾ 5...300 Hz Conforming to IEC/EN 60068-2-6	Contactor open		2 gn	
	Contactor closed		4 gn	4 gn



(1) Protection provided for the cabling c.s.a.'s indicated on the next page and for connection by cable.
 (2) As per IEC60947-4-1, operating time and drop out voltage given and tested for -5...+40 °C.
 (3) Please refer to operational current in AC1, page A5/114.
 (4) When mounting on a vertical rail, use a stop.
 (5) Without modifying the power contact states, in the most unfavourable direction (coil energised at U_e).
 In case of vibration, it is recommended to mount the devices separately by screws on metal plate.

SNAP IN
motor
starters

TeSys Control

Deca Advanced, Deca Contactors

Characteristics



References:
p. B12/31 to B12/33

Curves:
p. B12/45

Dimensions:
p. B12/47 to B12/51

Schemes:
p. B12/52

Pole characteristics Deca Advanced and Deca contactors

Contactor type		LC1	D09A (3P)	D12A (3P)	D18A (3P)	D25A (3P)	D32A (3P)	
Rated operational current (Ie) (Ue ≤ 440 V)	In AC-3/AC-3e, θ ≤ 60 °C	A	9	12	18	25	32	
	In AC-1, θ ≤ 60 °C	A	25	25	32	40 ⁽¹⁾	40 ⁽¹⁾	
Rated operational voltage (Ue)	Up to (as per IEC 60947-1)	V	690	690	690	690	690	
Frequency limits	Of the operational current	Hz	25...400	25...400	25...400	25...400	25...400	
Conventional thermal current (Ith)	θ ≤ 60 °C	A	25	25	32	40 ⁽¹⁾	50 ⁽¹⁾	
Rated making capacity (440 V)	Conforming to IEC 60947	A	250	250	300	450	550	
Rated breaking capacity (440 V)	Conforming to IEC 60947	A	250	250	300	450	550	
Permissible short time rating No current flowing for preceding 15 minutes with θ ≤ 40 °C	For 1 s	A	210	210	240	380	430	
	For 10 s	A	105	105	145	240	260	
	For 1 min	A	61	61	84	120	138	
	For 10 min	A	30	30	40	50	60	
Fuse protection against short-circuits (U ≤ 690 V)	Without thermal overload relay, gG fuse	type 1	A	25	40	50	63	63
		type 2	A	20	25	35	40	63
	With thermal overload relay	A	See pages B11/4 and B11/5, for aM or gG fuse ratings corresponding to the associated thermal overload relay					
Average impedance per pole	At Ith and 50 Hz	mΩ	2.5	2.5	2.5	2	2	
Power dissipation per pole for the above operational currents	AC-3/AC-3e	W	0.20	0.36	0.8	1.25	2	
	AC-1	W	1.56	1.56	2.5	3.2	5	

Control circuit characteristics, AC supply Deca contactors

Contactor type			LC1D09...D32	
Rated control circuit voltage (Uc)	50/60 Hz	V	12...690	
Rated operational voltage	Conforming to IEC 60947-1	V	690	
	Conforming to UL, CSA	V	600	
Control voltage limits				
50 or 60 Hz coils	Operation		–	
	Drop-out		–	
50/60 Hz coils	Operation		0.8...1.1 Uc on 50 Hz and 0.85...1.1 Uc on 60 Hz at 60 °C	
	Drop-out		0.3...0.6 Uc at 60 °C	
Average consumption at 20 °C and at Uc	~ 50 Hz Inrush	50 Hz coil	VA	–
		Cos φ		0.75
	50/60 Hz coil	VA	70	
		Cos φ		0.3
	Sealed	50 Hz coil	VA	–
		Cos φ		0.3
	50/60 Hz coil	VA	7.5	
		Cos φ		0.3
	~ 60 Hz Inrush	60 Hz coil	VA	–
		Cos φ		0.75
	50/60 Hz coil	VA	70	
		Cos φ		0.3
	Sealed	60 Hz coil	VA	–
		Cos φ		0.3
50/60 Hz coil	VA	7		
Heat dissipation	50/60 Hz	W	2...3	
Operating time ⁽²⁾	Closing "C"	ms	12...22	
	Opening "O"	ms	4...19	
Mechanical durability in millions of operating cycles	50 or 60 Hz coil		–	
	50/60 Hz coil on 50 Hz		15	
Maximum operating rate at ambient temperature ≤ 60 °C	In operating cycles per hour		3600	

⁽¹⁾ Versions with SNAP IN terminal connections:

40 A with 2 cables (1 x 4 mm² + 1 x 6 mm²) connected in parallel.

⁽²⁾ The closing time "C" is measured from the moment the coil supply is switched on to closure of the main poles. The opening time "O" is measured from the moment the coil supply is switched off to the moment the main poles separate.

SNAP IN
motor
starters

TeSys Control

Deca Contactors

Characteristics



References:
p. B12/31 to B12/33

Curves:
p. B12/45

Dimensions:
p. B12/47 to B12/51

Schemes:
p. B12/52

DC control circuit characteristics Deca contactors

Contactor type			LC1D09A...D32A	
Rated control circuit voltage (Uc) ---		V		12...440
Rated operational voltage	Conforming to IEC 60947-1	V		690
	Conforming to UL, CSA	V		600
Control voltage limits	Operation	Standard coil		0.7...1.25 Uc at 60 °C
		Wide range coil		–
	Drop-out			0.1...0.25 Uc at 60 °C
Average consumption at 20 °C and at Uc	---	Inrush	W	5.4
		Sealed	W	5.4
Operating time ⁽¹⁾ average at Uc	Closing	"C"	ms	63 ±15 %
	Opening	"O"	ms	20 ±20 %
				<i>Note: The arcing time depends on the circuit switched by the poles. For all normal 3-phase applications, the arcing time is less than 10 ms. The load is isolated from the supply after a time equal to the sum of the opening time and the arcing time.</i>
Time constant (L/R)		ms		28
Mechanical durability at Uc	In millions of operating cycles			30
Maximum operating rate at ambient temperature ≤ 60 °C	In operating cycles per hour			3600

Low consumption control circuit characteristics Deca contactors

Contactor type			LC1D09A...D32A	
Rated control circuit voltage (Uc) ---		V		12...250
Rated operational voltage	Conforming to IEC 60947-1	V		690
	Conforming to UL, CSA	V		600
Average consumption DC at 20 °C and at Uc	Wide range coil (0.8...1.25 Uc)	Inrush	W	2.4
		Sealed	W	2.4
Operating time ⁽¹⁾ at Uc and at 20 °C	Closing	"C"	ms	77 ±15 %
	Opening	"O"	ms	25 ±20 %
Voltage limits (θ ≤ 60 °C) of the control circuit	Operation			0.8 to 1.25 Uc
	Drop-out			0.1...0.3 Uc
Time constant (L/R)		ms		40
Mechanical durability	In millions of operating cycles			30
Maximum operating rate at ambient temperature ≤ 60 °C	In operating cycles per hour			3600

⁽¹⁾ The operating times depend on the type of contactor electromagnet and its control mode.

The closing time "C" is measured from the moment the coil supply is switched on to initial contact of the main poles.

The opening time "O" is measured from the moment the coil supply is switched off to the moment the main poles separate.

TeSys Control

Deca Advanced Contactors

Characteristics



References:
p. B12/31

Curves:
p. B12/45

Dimensions:
p. B12/50 to B12/51

Schemes:
p. B12/52

Wide band Deca Advanced contactors AC/DC coil circuit characteristics

Rated control circuit voltage (Uc)	V	AC/DC 24...250			
Operation	V	0.85 Uc mini...1.1 Uc maxi at 60 °C in AC or DC (BNE coil: 0.8 Uc mini at 24 VDC, 0.85 Uc mini in AC).			
Drop-out	V	0.1 Uc maxi (e.g. 100 to 250 V = 25 V at 60 °C)			
Contactors type		LC1D09A...D32A			
Coil code		BNE	EHE	KUE	
Rated control circuit voltage (Uc)		24...60	48...130	100...250	
Rated operational voltage	Conforming to IEC 60947-1	V	690		
	Conforming to UL, CSA	V	600		
AC supply at 20°C	Consumption inrush	VA	15	25	25
	Consumption sealed	VA	0.9	1.3	1.6
	Consumption sealed	mA	28	15	9
	Heat dissipation	W	0.6	0.8	1.1
DC supply at 20°C	Consumption inrush	W	14	24	18
	Consumption sealed	mA	23	13	7
	Heat dissipation	W	0.6	0.8	1.1
Max operating time ⁽²⁾	Closing "C"	ms	50 ±5 ms		
	Opening "O"	ms	20...90 ms		
EMC immunity		Meets IEC 60947-4-1 standard, table 12			
EMC emission	IEC 60947-4-1 §9.4.3		Environment A ⁽¹⁾		
Maximum operating rate at ambient temperature ≤ 60°C	cycle/h	3600			
Mechanical durability at Uc In millions of operating cycles		15			

⁽¹⁾ Use of this product in EMC environment B may require mitigation measures to avoid unwanted disturbance.

⁽²⁾ The closing time "C" is measured from the moment the coil supply is switched on to closure of the main poles. The opening time "O" is measured from the moment the coil supply is switched off to the moment the main poles separates.

TeSys Control

Deca Advanced, Deca Contactors

Characteristics



References:
p. B12/31 to B12/33

Curves:
p. B12/45

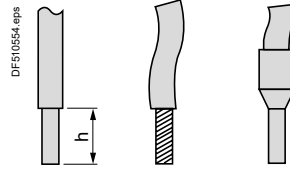
Dimensions:
p. B12/47 to B12/51

Schemes:
p. B12/52

Power circuit connections

SNAP IN terminal connections Deca Advanced, Deca contactors

Bare cables



Contactor type		LC1	D09A...D12A (3P)	D18A...D32A (3P)
	h	mm	10	12
Flexible cable without cable end	1 conductor	mm ²	0.5 ⁽¹⁾ ...4	0.75...6
	2 conductors	mm ²	0.5 ⁽¹⁾ ...4	0.75...6
Flexible cable with cable end	1 conductor	mm ²	0.5...2.5	0.75...4
	2 conductors	mm ²	0.5...2.5	0.75...4
Solid cable without cable end	1 conductor	mm ²	0.5...2.5	0.75...4
	2 conductors	mm ²	0.5...2.5	0.75...4

Control circuit connections

Connection by cable (tightening via SNAP IN) Deca, Deca Advanced contactors

Flexible cable without cable end	1 conductor	mm ²	0.5 ⁽¹⁾ ...4
	2 conductors	mm ²	0.5 ⁽¹⁾ ...4
Flexible cable with cable end	1 conductor	mm ²	0.5...2.5
	2 conductors	mm ²	0.5...2.5
Solid cable without cable end	1 conductor	mm ²	0.5...2.5
	2 conductors	mm ²	0.5...2.5

⁽¹⁾ For flexible cables with thin single conductors, it is recommended to use cable ends for preventing the wire from being damaged or severed by the spring.



References:
p. B12/31 to B12/33

Curves:
p. B12/45

Dimensions:
p. B12/47 to B12/51

Schemes:
p. B12/52

Characteristics of auxiliary contacts incorporated in the contactor

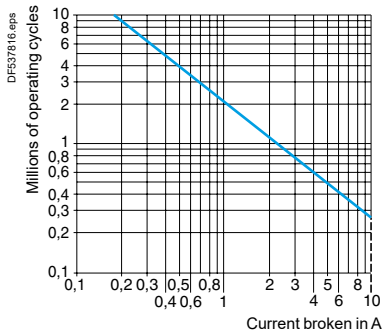
Mechanically linked contacts	Conforming to IEC 60947-5-1		Each contactor has 2 N/O and N/C contacts mechanically linked on the same movable contact holder
Mirror contact	Conforming to IEC 60947-4-1		The N/C contact on each contactor represents the state of the power contacts and can be connected to a PREVENTA safety module
Rated operational voltage (Ue)	Up to	V	690
Rated insulation voltage (Ui)	Conforming to IEC 60947-1	V	690
	Conforming to UL, CSA	V	600
Conventional thermal current (Ith)	For ambient temperature ≤ 60 °C	A	10
Frequency of the operational current		Hz	25...400
Minimum switching capacity $\lambda = 10^{-8}$	U min	V	17
	I min	mA	5
Short-circuit protection	Conforming to IEC 60947-5-1		gG fuse: 10 A
Rated making capacity	Conforming to IEC 60947-5-1, I rms	A	~: 140, ---: 250
Short-time rating	Permissible for	1 s	A 100
		500 ms	A 120
		100 ms	A 140
Insulation resistance		MΩ	> 10
Non-overlap time	Guaranteed between N/C and N/O contacts	ms	1.5 (on energisation and on de-energisation)

Operational power of contacts conforming to IEC 60947-5-1

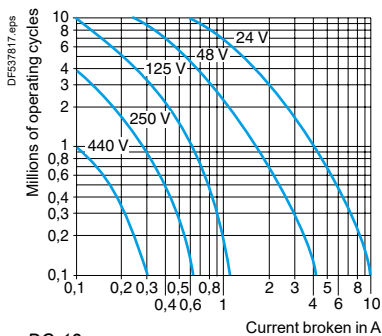
AC supply, categories AC-14 and AC-15

Electrical durability (valid for up to 3600 operating cycles/hour) on an inductive load such as the coil of an electromagnet: making current ($\cos \phi 0.7$) = 10 times the power broken ($\cos \phi 0.4$).

Operating cycles	V	24	48	115	230	400	440	600
1 million	VA	60	120	280	560	960	1050	1440
3 million	VA	16	32	80	160	280	300	420
10 million	VA	4	8	20	40	70	80	100



AC-15



DC-13

DC supply, category DC-13

Electrical durability (valid for up to 1200 operating cycles/hour) on an inductive load such as the coil of an electromagnet, without economy resistor, the time constant increasing with the load.

Operating cycles	V	24	48	125	250	440
1 million	W	96	76	76	76	44
3 million	W	48	38	38	32	—
10 million	W	14	12	12	—	—



References:
p. B12/35

Curves:
p. B12/45

Dimensions:
p. B12/47 to B12/51

Schemes:
p. B12/52

Environment					
Contact block type (not dust/damp protected)				LADN**A	
Conforming to standards				IEC/EN 60947-5-1, GB/T 14048.5, UL 60947-5-1, CSA C22.2 n° 60947-5-1	
Product certifications				CB Scheme, CCC, CE, UKCA, cULus	
Degree of protection	Conforming to IEC 60529			Protection against direct finger contact IP 20	
Ambient air temperature around the device	Storage		°C	-60...+80	
	Operation		°C	-5...+60	
Maximum operating altitude	Without derating			m	3000
SNAP IN terminal connections	Flexible or solid cable without cable end	1 conductor	mm ²	0.5 ⁽¹⁾ ...4	
		2 conductors	mm ²	0.5 ⁽¹⁾ ...4	
	Flexible cable with cable end	1 conductor	mm ²	0.5...2.5	
		2 conductors	mm ²	0.5...2.5	
	Solid cable without cable end	1 conductor	mm ²	0.5...2.5	
		2 conductors	mm ²	0.5...2.5	
Instantaneous contact characteristics					
Number of contacts				2 or 4	
Rated operational voltage (Ue)	Up to			V	690
Rated insulation voltage (Ui)	Conforming to IEC 60947-5-1			V	690
	Conforming to UL, CSA			V	600
Conventional thermal current (Ith)	For ambient temperature ≤ 60 °C			A	10
Frequency of the operational current				Hz	25...400
Minimum switching capacity	U min		V	17	
	I min		mA	5	
Short-circuit protection	Conforming to IEC 60947-5-1 gG fuse			A	10
Rated making capacity	Conforming to IEC 60947-5-1	I rms	A	~: 140; ∞: 250	
Short-time rating	Permissible for	1 s	A	100	
		500 ms	A	120	
		100 ms	A	140	
Insulation resistance				MΩ	> 10
Non-overlap time	Guaranteed between N/C and N/O contacts			ms	1.5 (on energisation and on de-energisation)
Overlap time	Guaranteed between N/C and N/O contacts on LADC22			ms	1.5
Mechanical durability	In millions of operating cycles				30
Operational power of contacts					See page B8/94.
Degree of pollution					3

TeSys Control Deca Contactors

Dimensions



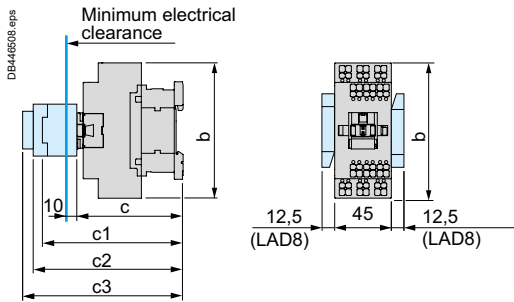
References:
p. B12/31 to B12/33

Characteristics:
p. B12/40 to B12/45

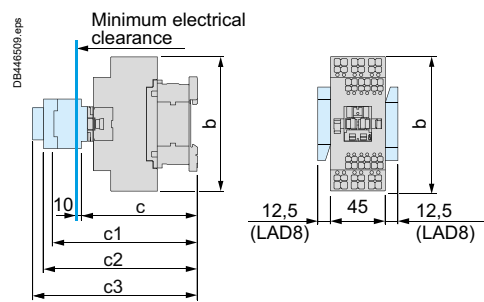
Curves:
p. B12/45

Schemes:
p. B12/52

LC1D09A...D12A (3-pole) - AC coil

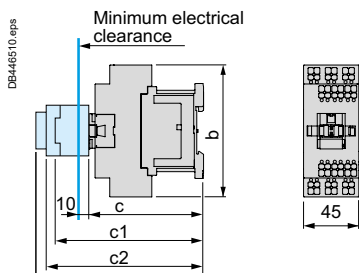


LC1D18A...D32A (3-pole) - AC coil

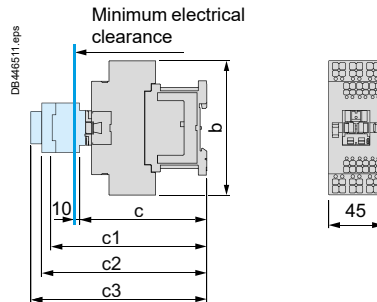


LC1	D09A...D12A	D18A...D32A	
b	without add-on blocks	107	110
c	without cover or add-on blocks	84	90
	with cover, without add-on blocks	86	92
c1	with LADN or C (2 or 4 contacts)	117	123
c2	with LAD6K10	129	135
c3	with LADT, R, S	137	143
	with LADT, R, S and sealing cover	141	147
	with LADN●R (2 or 4 contacts)	120	126

LC1D09A...D12A (3-pole) - DC coil



LC1D18A...D32A (3-pole) - DC coil



LC1	D09A...D12A	LC1D18A...D32A	
b	107	110	
c	without cover or add-on blocks	93	99
	with cover, without add-on blocks	95	101
c1	with LADN or C (2 or 4 contacts)	126	132
c2	with LAD6K10	138	144
c3	with LADT, R, S	146	152
	with LADT, R, S and sealing cover	150	156

SNAP IN
motor
starters

TeSys Control Deca Contactors

Mounting



References:
p. B12/31 to B12/33

Characteristics:
p. B12/40 to B12/45

Curves:
p. B12/45

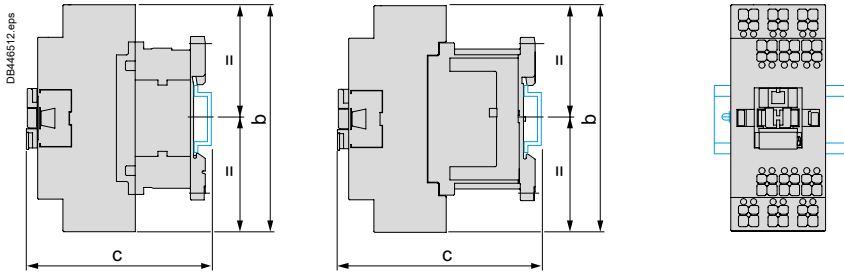
Schemes:
p. B12/52

LC1D09A...D32A

AC coil

DC coil

On mounting rail NSYSDR200B, NSYSDR200BD or NSYSDR200
(width 35 mm)



Control circuit:

AC

DC

LC1

LC1D09A...D12A

LC1D18A...D32A

LC1D09A...D12A

LC1D18A...D32A

b	107	110	107	110
c (NSYSDR200B or NSYSDR200BD) ⁽¹⁾	88	94	97	103
c (NSYSDR200) ⁽¹⁾	96	102	105	110

⁽¹⁾ With safety cover.

TeSys Control Deca Contactors Mounting



References:
p. B12/31 to B12/33

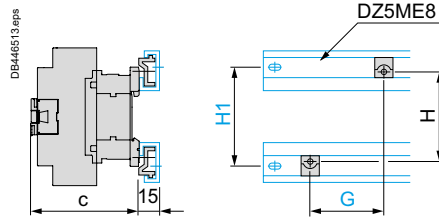
Characteristics:
p. B12/40 to B12/45

Curves:
p. B12/45

Schemes:
p. B12/52

LC1D09A...D32A

On 2 mounting rails DZ5MB

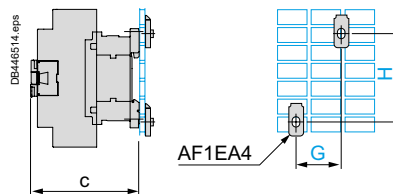


Control circuit: AC

LC1	LC1D09A...D12A	LC1D18A...D32A
c with cover	86	92
G	35	35
H	60	60
H1	70	70

LC1D09A...D32A

On pre-slotted mounting plate AM1 PA, PB, PC

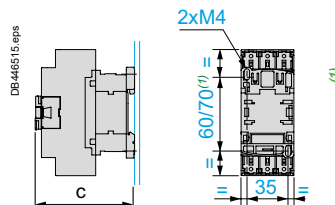


Control circuit: AC

LC1	LC1D09A...D12A	LC1D18A...D32A
c with cover	86	92
G	35	35
H	60/70	60/70

LC1D09A...D32A

Panel mounted



Control circuit: AC

LC1	LC1D09A...D12A	LC1D18A...D32A
c with cover	86	92

(1) for DC coil: 70 mm only.

TeSys Control

Deca Advanced Contactors

Dimensions



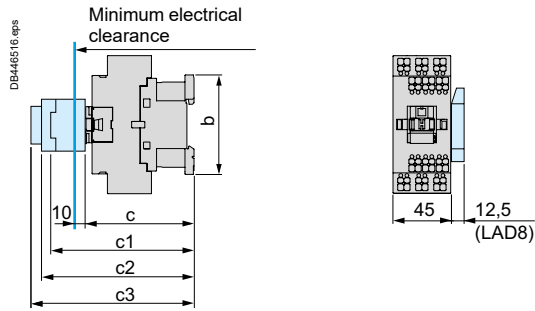
References:
p. B12/31

Characteristics:
p. B12/40 to B12/45

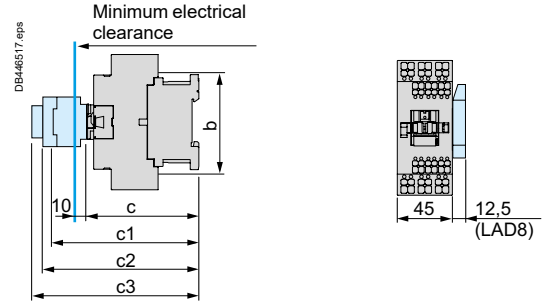
Curves:
p. B12/45

Schemes:
p. B12/52

LC1D09A...D12A (3-pole), with AC/DC compatible coil



LC1D18A...D32A (3-pole), with AC/DC compatible coil



LC1	LC1D09A...D12A	LC1D18A...D32A
b without add-on blocks	107	110
c without cover or add-on blocks	84	90
with cover, without add-on blocks	86	92
c1 with LADN or C (2 or 4 contacts)	117	123
c2 with LAD6K10	129	135
c3 with LADT, R, S	137	143
with LADT, R, S and sealing cover	141	147

TeSys Control

Deca Advanced Contactors

Mounting



References:
p. B12/31

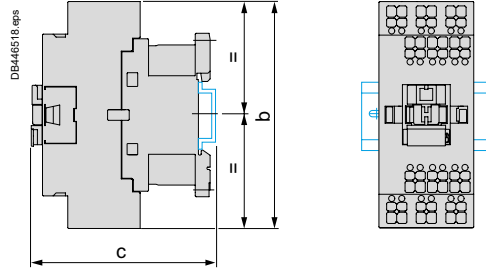
Characteristics:
p. B12/40 to B12/45

Curves:
p. B12/45

Schemes:
p. B12/52

LC1D09A...D32A (3-pole), with AC/DC compatible coil

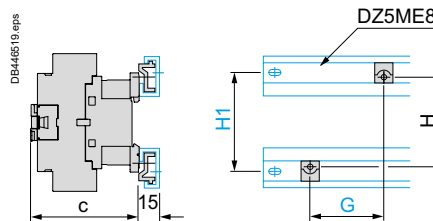
On mounting rail NSYSDR200B, NSYSDR200BD or NSYSDR200 (width 35 mm)



LC1	LC1D09A...D12A	LC1D18A...D32A
b	107	110
c (NSYSDR200B or NSYSDR200BD)	88	94
c (NSYSDR200)	96	102

LC1D09A...D32A (3-pole), with AC/DC compatible coil

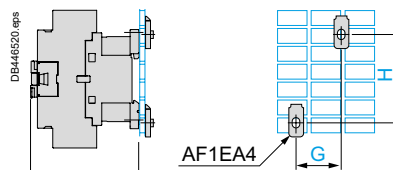
On 2 mounting rails DZ5MB



LC1	LC1D09A...D12A	LC1D18A...D32A
c with cover	86	92
G	35	35
H	60	60
H1	70	70

LC1D09A...D32A (3-pole), with AC/DC compatible coil

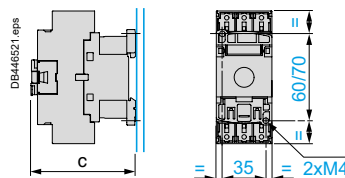
On pre-slotted mounting plate AM1PA, PB, PC



LC1	LC1D09A...D12A	LC1D18A...D32A
c with cover	86	92
G	35	35
H	60/70	60/70

LC1D09A...D32A (3-pole), with AC/DC compatible coil

Panel mounted



LC1	LC1D09A...D12A	LC1D18A...D32A
c with cover	86	92

SNAP IN
motor
starters

TeSys Control

Deca Advanced, Deca Contactors

Schemes



References:
p. B12/31 to B12/35

Characteristics:
p. B12/40 to B12/45

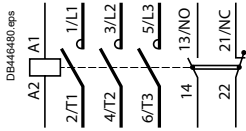
Curves:
p. B12/45

Dimensions:
p. B12/47 to B12/51

Contactors

Deca Advanced, Deca 3-pole contactors

LC1D09A to D32A

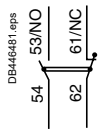


Front mounting add-on contact blocks

Instantaneous auxiliary contacts for Deca Advanced, Deca contactors

1 N/O + 1 N/C LADN11A

2 N/O LADN20A

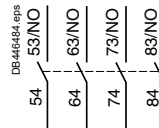
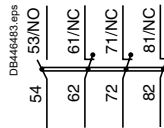
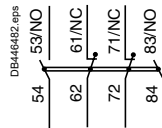
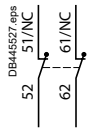


2 N/C LADN02A

2 N/O + 2 N/C LADN22A

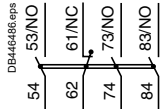
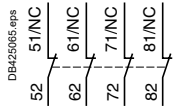
1 N/O + 3 N/C LADN13A

4 N/O LADN40A



4 N/C LADN04A

3 N/O + 1 N/C LADN31A



SNAP IN
motor
starters

TeSys Control

Deca Advanced, Deca Reversing and Changeover Contactors

Dimensions



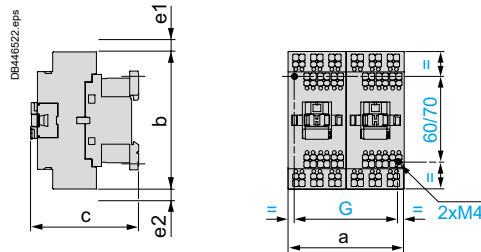
References:
p. B12/31 to B12/36

Characteristics:
p. B12/40 to B12/45

Curves:
p. B12/45

Schemes:
p. B12/54

Reverser/Changeover LC1D09A to D32A Deca Advanced, Deca contactors 2 x LC1D09A to D32A



2 x LC1	a	b	c ⁽¹⁾	e1	e2	G
D09A...12A AC, AC/DC	90	107	86	–	–	80
D09A...D12A DC	90	107	95	–	–	80
D18A...D32A AC, AC/DC	90	110	92	–	–	80
D18A...D32A DC	90	110	101	–	–	80

(1) With safety cover, without add-on block.

TeSys Control

Deca Advanced, Deca Reversing and Changeover Contactors

Schemes



References:
p. B12/31 to B12/36

Characteristics:
p. B12/40 to B12/45

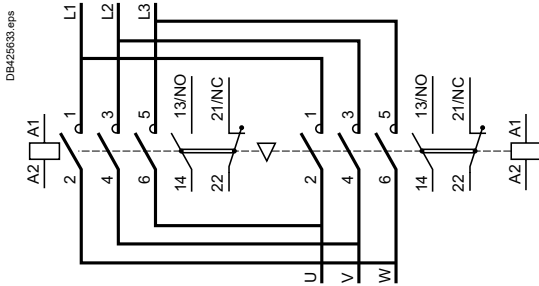
Curves:
p. B12/45

Dimensions:
p. B12/53

Reversing contactors for motor control

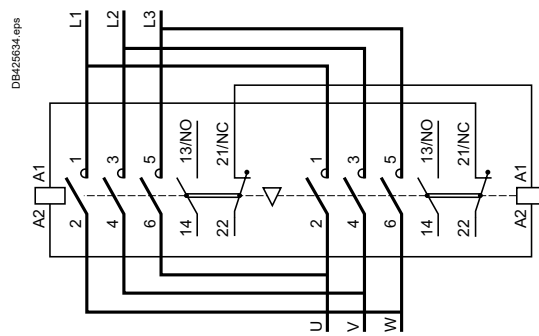
LC2D09A...D32A Deca Advanced, Deca contactors

Horizontally mounted



LAD9V0A Deca Advanced, Deca contactors

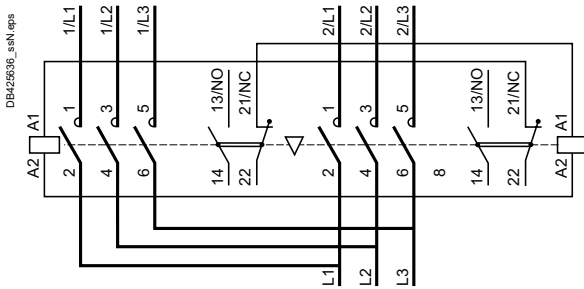
With electrical interlocking



Changeover contactor pairs Deca contactors

LAD9V0A

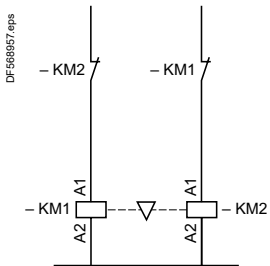
With integral electrical interlocking



Electrical interlocking of Deca Advanced, Deca reversing contactors fitted with:

Mechanical interlock without integral electrical contacts

LAD9V2





TeSys Control

Deca Control relays

Introduction

B12/2

TeSys Deca Motor Circuit Breakers


Type of product	Range		Pages
AC-3/AC-3e Applications - 3-pole TeSys Deca Frame 2 Motor Circuit Breakers - Thermal-Magnetic (Product ref. GV2ME••A)	0.06 to 15 kW / 400/415 V		B12/10
UL Applications - TeSys Deca Frame 2 Motor Circuit Breakers	3/4 to 20 HP / 460 V		B12/11
Contact Blocks: Connection by SNAP IN Terminals			B12/13
Mounting and Connection Accessories			B12/15

Technical Data for Designers

B12/17

TeSys Deca contactors

B12/29

AC-3/AC-3e Applications - 3-pole TeSys Deca Contactors	From 9 to 32 A		B12/31
AC-1 Applications - 3-pole TeSys Deca Contactors	From 20 to 40 A		B12/32
UL and CSA Applications - 3-pole TeSys Deca Contactors	From 25 to 40 A		B12/33
Auxiliary Contact Blocks, Assembly Kits for TeSys Deca Contactors			B12/35

Technical Data for Designers

B12/39

TeSys Deca Control Relays

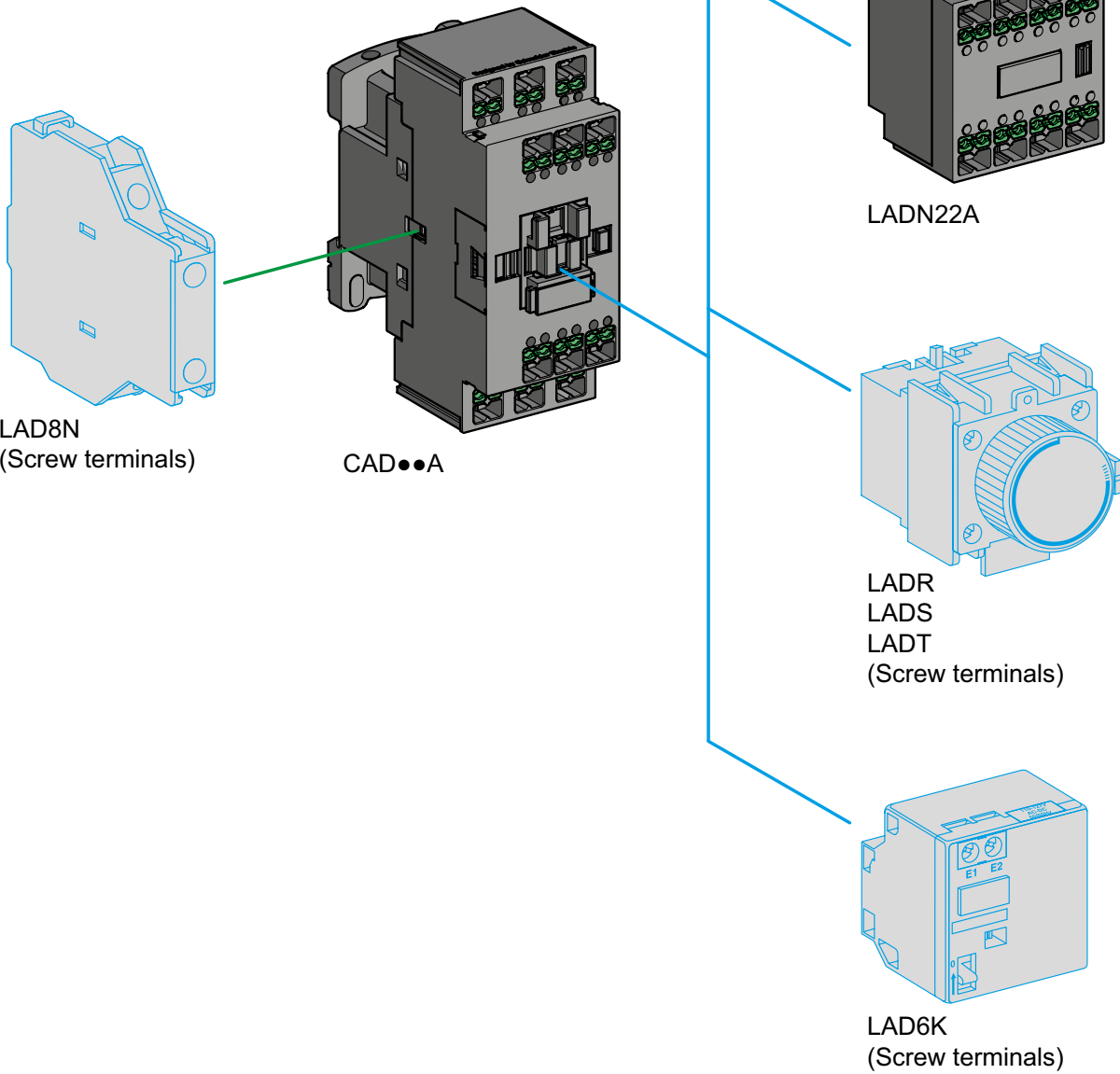
B12/55

Relays 5 Contacts, Simultaneous Action			B12/57
--	--	---	--------

Note: For auxiliaries please refer to pages B12/34 and B12/35.

Technical Data for Designers

B12/59



Note: Other accessories like Side contact blocks, Time delay auxiliary contact blocks, Mechanical latch blocks are available in screw terminals version. Please refer to pages B8/36 to B8/39 for more details.

TeSys Control

Deca Control Relays

Product references



Description:
p. B12/2 to B12/6

Characteristics:
p. B12/60 to B12/62

Curves:
p. B12/63

Dimensions:
p. B12/64

Schemes:
p. B12/65



PB125620.png

CAD50A●●

Control relays for connection by SNAP IN terminals

Type	Number of contacts	Composition	Basic reference, to be completed by adding the control voltage code
Instantaneous	5	5 —	CAD50A●●
		3 2	CAD32A●●

Standard control circuit voltages

(for other voltages, please consult your Regional Sales Office)

AC supply

Volts	12	24	32	42	48	100	110	115	120	127	200	208	220	230	240	277	380	400	415	440	480	500	600	690
-------	----	----	----	----	----	-----	-----	-----	-----	-----	-----	-----	-----	-----	-----	-----	-----	-----	-----	-----	-----	-----	-----	-----

LC1D09...D32

50/60 Hz	J7	B7	C7	D7	E7	K7	F7	FE7	G7	FC7	L7	LE7	M7	P7	U7	W7	Q7	V7	N7	R7	T7	S7	X7	Y7
----------	----	----	----	----	----	----	----	-----	----	-----	----	-----	----	----	----	----	----	----	----	----	----	----	----	----

DC supply

Volts	12	24	36	48	60	72	100	110	125	220	250	440
-------	----	----	----	----	----	----	-----	-----	-----	-----	-----	-----

LC1D09...D32 (coils with integral suppression device fitted as standard, by bi-directional peak limiting diode)

U 0.7...1.25 Uc	JD	BD	CD	ED	ND	SD	KD	FD	GD	MD	UD	RD
-----------------	----	----	----	----	----	----	----	----	----	----	----	----

Low consumption DC supply

Volts DC	12	20	24	48	72	110	220	250
----------	----	----	----	----	----	-----	-----	-----

LC1D09...D32 (coils with integral suppression device fitted as standard, by bi-directional peak limiting diode)

U 0.8...1.25 Uc	JL	ZL	BL	EL	SL	FL	ML	UL
-----------------	----	----	----	----	----	----	----	----

Instantaneous auxiliary contact blocks

For use in normal operating environments

Number of contacts	Maximum number per relay		Composition		Reference
	Clip-on mounting front	side	1	2	
2	1	—	1	1	LADN11A
	—	1 on LH side	1	1	LAD8N11 ⁽²⁾
	1	—	2	—	LADN20A
	—	1 on LH side	2	—	LAD8N20 ⁽²⁾
	1	—	—	2	LADN02A
	—	1 on LH side	—	2	LAD8N02 ⁽²⁾
4 ⁽¹⁾	1	—	2	2	LADN22A
			1	3	LADN13A
			4	—	LADN40A
			—	4	LADN04A
			3	1	LADN31A

(1) Blocks with 4 auxiliary contacts cannot be used on low consumption control relays.

(2) These contact blocks are in screw version only and allowed with AC coil control relay only.

TeSys Control

Deca Control Relays

Product references

CAD32AB7	CAD50AJ7
CAD32ABD	CAD50AJD
CAD32ABL	CAD50AJL
CAD32AC7	CAD50AK7
CAD32ACD	CAD50AKD
CAD32AD7	CAD50AL7
CAD32AE7	CAD50ALE7
CAD32AED	CAD50AM7
CAD32AEL	CAD50AMD
CAD32AF7	CAD50AML
CAD32AFC7	CAD50AN7
CAD32AFD	CAD50AND
CAD32AFE7	CAD50AP7
CAD32AFL	CAD50AQ7
CAD32AG7	CAD50AR7
CAD32AGD	CAD50ARD
CAD32AJ7	CAD50AS7
CAD32AJD	CAD50ASD
CAD32AJL	CAD50ASL
CAD32AK7	CAD50AT7
CAD32AKD	CAD50AU7
CAD32AL7	CAD50AUD
CAD32ALE7	CAD50AUL
CAD32AM7	CAD50AV7
CAD32AMD	CAD50AW7
CAD32AML	CAD50AX7
CAD32AN7	CAD50AY7
CAD32AND	CAD50AZL
CAD32AP7	LADN02A
CAD32AQ7	LADN04A
CAD32AR7	LADN11A
CAD32ARD	LADN13A
CAD32AS7	LADN20A
CAD32ASD	LADN22A
CAD32ASL	LADN31A
CAD32AT7	LADN40A
CAD32AU7	
CAD32AUD	
CAD32AUL	
CAD32AV7	
CAD32AW7	
CAD32AX7	
CAD32AY7	
CAD32AZL	
CAD50AB7	
CAD50ABD	
CAD50ABL	
CAD50AC7	
CAD50ACD	
CAD50AD7	
CAD50AE7	
CAD50AED	
CAD50AEL	
CAD50AF7	
CAD50AFC7	
CAD50AFD	
CAD50AFE7	
CAD50AFL	
CAD50AG7	
CAD50AGD	

Technical Data for Designers

Contents

Deca Control relays:

- > CharacteristicsB12/60 to B12/62
- > CurvesB12/63
- > DimensionsB12/64
- > SchemesB12/65

TeSys Control

Deca Control Relays

Characteristics



References:
p. B12/57

Curves:
p. B12/63

Dimensions:
p. B12/64

Schemes:
p. B12/65

Environment				CAD●●A AC	CAD●●A DC	CAD●●A DC low consumption
Rated insulation voltage (Ui)	Conforming to IEC 60947-5-1 Overvoltage category III and degree of pollution 3	V	690	690	690	
	Conforming to UL, CSA	V	600	600	600	
Rated impulse withstand voltage (Uimp)	Conforming to IEC 60947	kV	6	6	6	
Separation of electrical circuits	Conforming to IEC 60536		Reinforced insulation up to 400 V			
Conforming to standards			IEC/EN 60947-5-1, GB/T 14048.5, UL 60947-5-1, CSA C22.2 n° 60947-5-1			
Product certifications			CB Scheme, CCC, CE, UKCA, cULus			
Degree of protection	Conforming to IEC 60529		Front face protected against direct finger contact IP 20		Protection against direct finger contact IP 20	
Ambient air temperature around the device	Storage	°C	-60...+80			
	Operation ⁽¹⁾	°C	-40...+60			
	Allowed ⁽¹⁾	°C	+60...+70 at Uc to 1,●● x Uc			
Maximum operating altitude	Without derating	m	3000	3000	3000	
Operating positions	Without derating in the following positions					
	Positions that are not allowed					
Shock resistance ⁽²⁾ half sine wave for 11ms	Control relay open		10 gn	10 gn	10 gn	
	Control relay closed		15 gn	15 gn	15 gn	
Vibration resistance ⁽²⁾ 5...300 Hz	Control relay open		2 gn	2 gn	2 gn	
	Control relay closed		4 gn	4 gn	4 gn	
SNAP IN connections	Flexible conductor without cable end	1 conductor	mm²	0.5 ⁽³⁾ ...4	0.5 ⁽³⁾ ...4	0.5 ⁽³⁾ ...4
		2 conductors	mm²	0.5 ⁽³⁾ ...4	0.5 ⁽³⁾ ...4	0.5 ⁽³⁾ ...4
	Flexible conductor with cable end	1 conductor	mm²	0.5...2.5	0.5...2.5	0.5...2.5
		2 conductors	mm²	0.5...2.5	0.5...2.5	0.5...2.5
	Solid conductor without cable end	1 conductor	mm²	0.5...2.5	0.5...2.5	0.5...2.5
		2 conductors	mm²	0.5...2.5	0.5...2.5	0.5...2.5

(1) As per IEC60947-1, operating time and drop out voltage given and tested for -5...+40 °C.

(2) In the least favourable direction, without change of contact state, with coil supplied at Uc.

(3) For flexible cables with thin single conductors, it is recommended to use cable ends for preventing the wire from being damaged or severed by the spring.

TeSys Control

Deca Control Relays

Characteristics



References:
p. B12/57

Curves:
p. B12/63

Dimensions:
p. B12/64

Schemes:
p. B12/65

Control relay type		CAD●●A AC	CAD●●A DC	CAD●●A low consumption
Rated control circuit voltage (Uc)	V	12...690	12...440	5...72
Control voltage limits	Operation	With coil 50/60 Hz	0.8...1.1 Uc at 50 Hz	–
			0.85...1.1 Uc at 60 Hz	–
	With standard coil, wide range	–	0.7...1.25 Uc	0.7...1.25 Uc
Drop-out		0.3...0.6 Uc	0.1...0.25 Uc	0.1...0.25 Uc
Average consumption at 20 °C and at Uc	~ 50/60 Hz (at 50 Hz)	VA	Inrush: 70 sealed: 8	–
	With standard coil	W	–	Inrush or sealed: 5.4 Inrush or sealed: 2.4
Operating time (at rated control circuit voltage and at 20 °C)	Between coil energisation and - opening of the N/C contacts	ms	4...19	55 ± 15 %
	- closing of the N/O contacts	ms	12...22	63 ± 15 %
	Between coil de-energisation and - opening of the N/O contacts	ms	4...12	20 ± 20 %
	- closing of the N/C contacts	ms	6...17	25 ± 20 %
Short supply failure	Maximum duration without affecting hold-in of the device	ms	2	2
Maximum operating rate	In operating cycles per second		3	3
Mechanical durability In millions of operating cycles	With coil 50/60 Hz (at 50 Hz)		30	–
	With standard coil --- wide range		–	30
Time constant L/R		ms	–	28
				40



References:
p. B12/57

Curves:
p. B12/63

Dimensions:
p. B12/64

Schemes:
p. B12/65

Characteristics of instantaneous contacts incorporated in the control relay

Number of contacts			5
Rated operational voltage (U _e)	Up to	V	690
Rated insulation voltage (U _i)	Conforming to IEC 60947-5-1	V	690
	Conforming to UL, CSA	V	600
Conventional thermal current (I _{th})	For ambient temperature ≤ 60 °C	A	10
Frequency of the operational current		Hz	25...400
Minimum switching capacity	U min	V	17
	I min	mA	5
Short-circuit protection	Conforming to IEC 60947-5-1		gG fuse: 10 A
Rated making capacity	Conforming to IEC 60947-5-1	I rms	~ 140, --- 250
Short-time rating	Permissible for	1 s	A 100
		500 ms	A 120
		100 ms	A 140
Insulation resistance		MΩ	> 10
Non-overlap time	Guaranteed between N/C and N/O contacts	ms	1.5 (on energisation and on de-energisation)
Non-overlap distance			Linked contacts in association with auxiliary contacts LADN
Mechanically linked contacts	Conforming to IEC 60947-5-1		The 3 N/O contacts and the 2 N/C contacts of CAD N32 are linked mechanically by one mobile contact carrier.



References:
p. B12/57

Characteristics:
p. B12/60 to B12/62

Dimensions:
p. B12/64

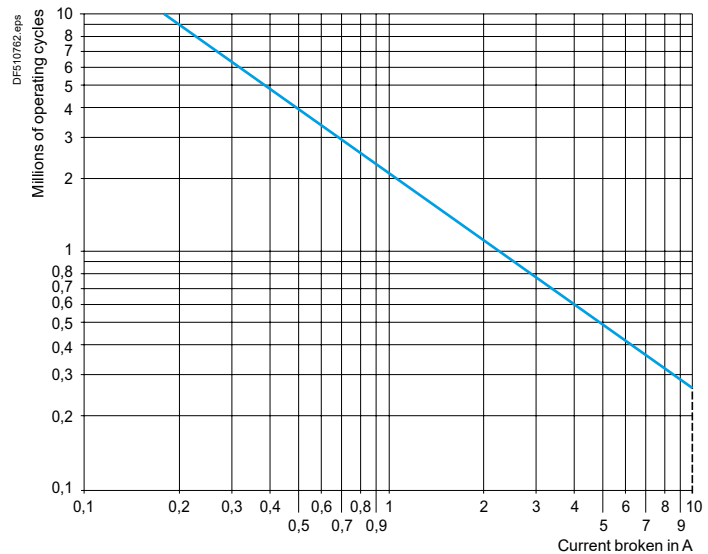
Schemes:
p. B12/65

Rated operational power of contacts (conforming to IEC 60947-5-1)

AC supply, categories AC-14 and AC-15

Electrical durability (valid for up to 3600 operating cycles/hour) on an inductive load such as the coil of an electromagnet:
making current ($\cos \phi 0.7$) = 10 times the power broken ($\cos \phi 0.4$).

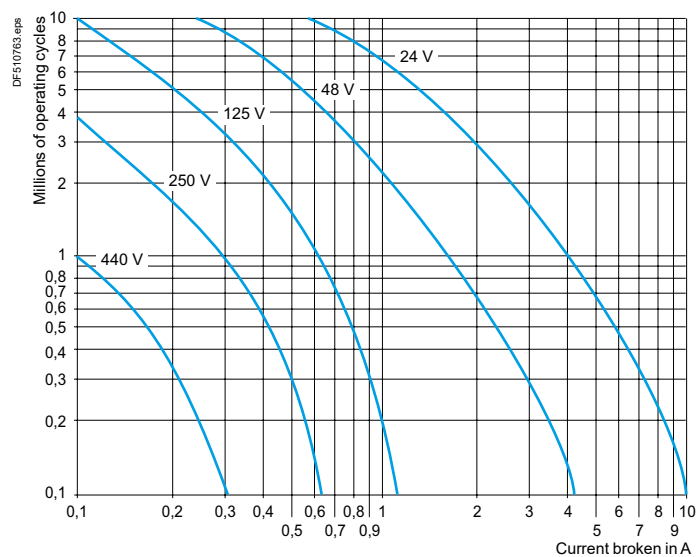
	V	24	48	115	230	400	440	600
1 million operating cycles	VA	60	120	280	560	960	1050	1440
3 million operating cycles	VA	16	32	80	160	280	300	420
10 million operating cycles	VA	4	8	20	40	70	80	100



DC supply, category DC-13

Electrical durability (valid for up to 1200 operating cycles/hour) on an inductive load such as the coil of an electromagnet, without economy resistor, the time constant increasing with the power.

Operating cycles	V	24	48	125	250	440
1 million	W	96	76	76	76	44
3 million	W	48	38	38	32	–
10 million	W	14	12	12	–	–



TeSys Control

Deca Control Relays

Dimensions and mounting



References:
p. B12/57

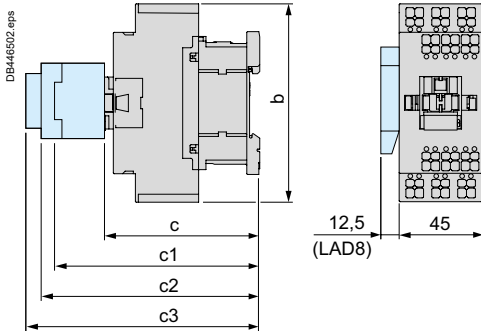
Characteristics:
p. B12/60 to B12/62

Curves:
p. B12/63

Schemes:
p. B12/65

Dimensions

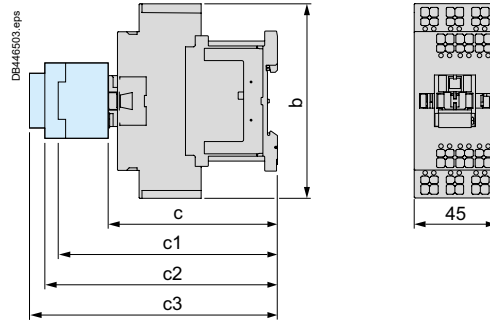
CAD●●AAC



CAD●●A	32	50
b	107	
c without cover or add-on blocks	84	
with cover, without add-on blocks	86	
c1 with LADN or C (2 or 4 contacts)	117	
c2 with LAD6K10	129	
c3 with LADT, R, S	137	
with LADT, R, S and sealing cover	141	

Operating cycles	V	24	48	125	250	440
1 million	W	120	90	75	68	61
3 million	W	70	50	38	33	28
10 million	W	25	18	14	12	10

CAD●●A DC or LC (low consumption)

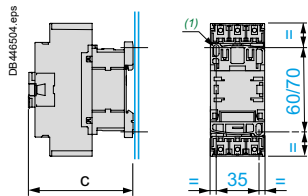


CAD●●A	32	50
b	107	
c without cover or add-on blocks	93	
with cover, without add-on blocks	95	
c1 with LADN or C (2 or 4 contacts)	126	
c2 with LAD6K10	138	
c3 with LADT, R, S	146	
with LADT, R, S and sealing cover	150	

Mounting

CAD●●A

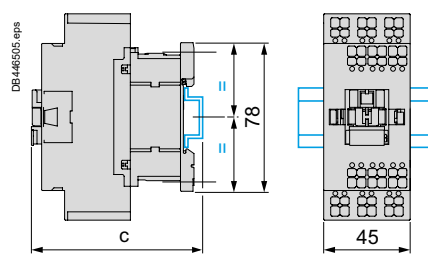
Panel mounted



	CAD●●AAC	CAD●●A DC or LC
c with cover	86	95

(1) 2 elongated holes 4.5 x 9.

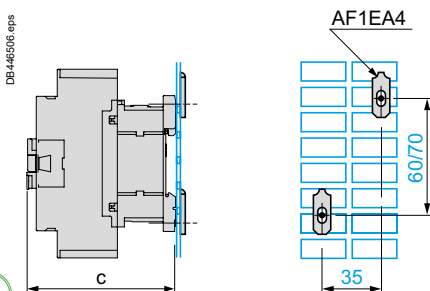
Mounted on rail NSYDR200BD or NSYDR200



	CAD●●AAC	CAD●●A DC or LC
c (NSYDR200BD) (2)	88	97
c (NSYDR200BD) (2)	96	105

(2) With cover.

Mounted on plate AM1P



	CAD●●AAC	CAD●●A DC or LC
c with cover	86	95

SNAP IN
motor
starters

TeSys Control

Deca Control Relays

Schemes



References:
p. B12/57

Characteristics:
p. B12/60 to B12/62

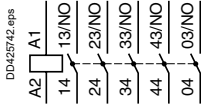
Curves:
p. B12/63

Dimensions:
p. B12/64

Instantaneous auxiliary contacts

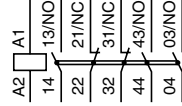
5 N/O

CAD50A



3 N/O + 2 N/C

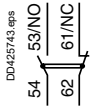
CAD32A



Instantaneous auxiliary contact blocks

1 N/O + 1 N/C

LADN11A



2 N/O

LADN20A



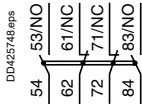
2 N/C

LADN02A



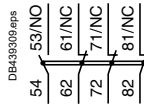
2 N/O + 2F N/C

LADN22A



1 N/O + 3 N/C

LADN13A



4 N/O

LADN40A



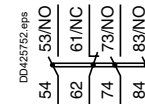
4 N/C

LADN04A



3 N/O + 1 N/C

LADN31A



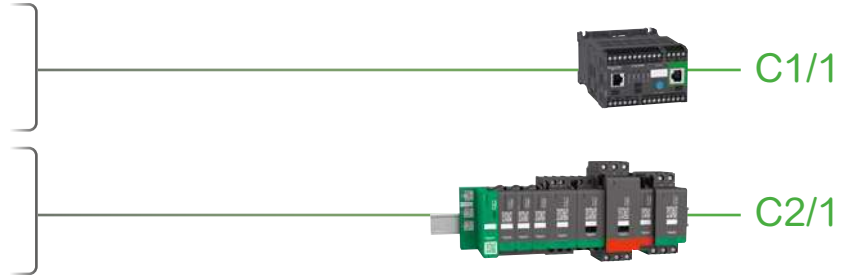
SNAP IN
motor
starters

Part C

COMPONENTS FOR ADVANCED SOLUTIONS




TeSys Active
T motor management system

TeSys Active
island Digital multifunctional load
management solution



This PDF Catalog is updated twice a year. Please check on the link below that you are using the last version.

Ref. MKTED210011EN

TeSys T Motor management system		
TeSys T Motor management controllers with Modbus, or CANopen, Devicenet, PROFIBUS, Ethernet TCP/IP communication port		C1/2
Extension modules for TeSys T Motor management system		C1/3
HMI terminal and cables		C1/3
Accessories		C1/4
Coordination tables: <ul style="list-style-type: none"> ■ fuses (NFC, DIN type aM) + contactor + TeSys T + current transformers ■ magnetic circuit breaker + contactor + TeSys T + current transformers 	C1/6	

Motor management devices

TeSys Active

T Motor management system

Product references



Characteristics:
p. C1/14 to C1/28

Curves:
p. C1/29

Dimensions, mounting:
p. C1/30 to C1/31

Schemes:
p. C1/32 to C1/35

Motor
management
devices



LTMR08MBD



LTMR08CBD



LTMR08DBD



LTMR08PBD



LTMR08EBD

Controllers

Setting range	Control voltage	Current range	Reference
A	V	A	

For Modbus

8	$\overline{\text{---}}$ 24	0.4...8	LTMR08MBD
	\sim 100...240	0.4...8	LTMR08MFM
27	$\overline{\text{---}}$ 24	1.35...27	LTMR27MBD
	\sim 100...240	1.35...27	LTMR27MFM
100	$\overline{\text{---}}$ 24	5...100	LTMR100MBD
	\sim 100...240	5...100	LTMR100MFM

For CANopen

8	$\overline{\text{---}}$ 24	0.4...8	LTMR08CBD
	\sim 100...240	0.4...8	LTMR08CFM
27	$\overline{\text{---}}$ 24	1.35...27	LTMR27CBD
	\sim 100...240	1.35...27	LTMR27CFM
100	$\overline{\text{---}}$ 24	5...100	LTMR100CBD
	\sim 100...240	5...100	LTMR100CFM

For DeviceNet

8	$\overline{\text{---}}$ 24	0.4...8	LTMR08DBD
	\sim 100...240	0.4...8	LTMR08DFM
27	$\overline{\text{---}}$ 24	1.35...27	LTMR27DBD
	\sim 100...240	1.35...27	LTMR27DFM
100	$\overline{\text{---}}$ 24	5...100	LTMR100DBD
	\sim 100...240	5...100	LTMR100DFM

For PROFIBUS DP

8	$\overline{\text{---}}$ 24	0.4...8	LTMR08PBD
	\sim 100...240	0.4...8	LTMR08PFM
27	$\overline{\text{---}}$ 24	1.35...27	LTMR27PBD
	\sim 100...240	1.35...27	LTMR27PFM
100	$\overline{\text{---}}$ 24	5...100	LTMR100PBD
	\sim 100...240	5...100	LTMR100PFM

For Ethernet TCP/IP (communication protocols: Modbus/TCP and EtherNet/IP)

8	$\overline{\text{---}}$ 24	0.4...8	LTMR08EBD
	\sim 100...240	0.4...8	LTMR08EFM
27	$\overline{\text{---}}$ 24	1.35...27	LTMR27EBD
	\sim 100...240	1.35...27	LTMR27EFM
100	$\overline{\text{---}}$ 24	5...100	LTMR100EBD
	\sim 100...240	5...100	LTMR100EFM

Filter

Control voltage	Current max	Reference
V	mA	
\sim 150...240	130	LTM9F

Bypass for Motor Controller

Supply voltage	Current consumption	Reference
V	mA	
$\overline{\text{---}}$ 12...48	32...44	LTM9BPS

TeSys Active

T Motor management system

Product references



Characteristics:
p. C1/14 to C1/28

Curves:
p. C1/29

Dimensions, mounting:
p. C1/30 to C1/31

Schemes:
p. C1/32 to C1/35



PB121439.eps

LTMEV40BD



PB121444.eps

LTMCC004



PB112374.eps

LTMCUF

Extension modules (with voltage measurement on the 3 phases)

Input control voltage	Number of inputs	Supply to the electronics	Reference
V			
24	4	Via the controller	LTMEV40BD
~ 100...240	4	Via the controller	LTMEV40FM

HMI terminals

Description	Supply Voltage	Reference
Operator control unit	Languages: English French Spanish Supply via the controller	LTMCU
Operator control unit with Fast Device Replacement Service (FDR)	Languages: English French Spanish Supply via the controller	LTMCUF

Description	Number and type of connectors	Length m	Reference
Connecting cables for the LTM CU control unit	2 x RJ45	1	LTM9CU10
		3	LTM9CU30

Cables

Description	Number and type of connectors	Length m	Reference
Connecting cables For connecting the controller to the extension module	2 x RJ45	0.04	LTMCC004⁽¹⁾
		1	LTM9CEXP10

(1) Sold in lots of 6.

Motor management devices

TeSys Active

T Motor management system

Product references



Characteristics:
p. C1/14 to C1/28

Curves:
p. C1/29

Dimensions, mounting:
p. C1/30 to C1/31

Schemes:
p. C1/32 to C1/35

Motor
management
devices

PF526393.eps



LT6CT4001

PB121445.eps



DA1TT●●●

Configuration tools

Description	Composition	Reference	Weight kg
Connection cable for PC	USB to RJ45 cable, length 2.5 m	TCSMCNAM3M002P	0.200

Current transformers

Operational current		Reference	Weight
Primary	Secondary		kg
A	A		
100	1	LT6CT1001	0.550
200	1	LT6CT2001	0.550
400	1	LT6CT4001	0.550
800	1	LT6CT8001	0.680

Earth fault toroids (marketed under the Schneider Electric brand)

Rated operational current Ie	Internal Ø of toroid	Reference	Weight
A	mm		kg

Closed toroids, type A

65	30	50437	0.120
85	50	50438	0.200
160	80	50439	0.420
250	120	50440	0.530
400	200	50441	1.320
630	300	50442	2.230

Split toroids, type OA

85	46	50485	1.300
250	110	50486	3.200

PTC thermistor probes ⁽³⁾

Description	Nominal Operating Temperature (NOT) °C	Colour	Unit reference ⁽⁴⁾
Triple probes	90	Green/green	DA1TT090
	110	Brown/brown	DA1TT110
	120	Grey/grey	DA1TT120
	130	Blue/blue	DA1TT130
	140	White/blue	DA1TT140
	150	Black/black	DA1TT150
	160	Blue/red	DA1TT160
	170	White/green	DA1TT170

⁽¹⁾ The transformers offered for use with Ultra starters are suitable. Please consult our "Ultra starter-controllers" catalogue

⁽²⁾ For use with LTMRO8●● controllers.

⁽³⁾ PTC: Positive Temperature Coefficient.

⁽⁴⁾ Sold in lots of 10.



Characteristics:
p. C1/14 to C1/28

Curves:
p. C1/29

Dimensions, mounting:
p. C1/30 to C1/31

Schemes:
p. C1/32 to C1/35

Marking accessories (to be ordered separately)

Description	Composition	Height	Unit reference	Weight
		mm		kg
Clip-in markers	Strips of 10 identical numbers (0 to 9) or capital letters (A to Z)	5	NSYTRABF5● ⁽¹⁾	0.002
		6	NSYTRABF6● ⁽¹⁾	0.002

Motor management devices

Connection accessories

Description	Length	Reference	Weight
	m		kg
For Modbus connection			
Cables fitted with 2 x RJ45 connectors	0.3	VW3A8306R03	0.045
	1	VW3A8306R10	0.065
	3	VW3A8306R30	0.125
T-junctions	0.3	VW3A8306TF03	0.032
	1	VW3A8306TF10	0.032
RS 485 line terminator	–	VW3A8306R	0.012

For CANopen connection

Cables	50	TSXCANCA50	4.930	
	100	TSXCANCA100	8.800	
	300	TSXCANCA300	24.560	
IP20 connectors	Elbowed (90°)	–	TSXCANKCDF90T	0.046
SUB-D 9-way female	Straight	–	TSXCANKCDF180T	0.049
Line end adapter switch	Elbowed (90°) with SUB-D 9-way connector for connection to PC or diagnostic tool	–	TSXCANKCDF90TP	0.051

For DeviceNet connection

Cables	50	TSXCANCA50	4.930
	100	TSXCANCA100	8.800
	300	TSXCANCA300	24.560

For PROFIBUS DP connection⁽²⁾

Cables	100	TSXPBSCA100	–	
	400	TSXPBSCA400	–	
Connectors	With line terminator	–	490NAD91103	–
	Without line terminator	–	490NAD91104	–
	With line terminator and terminal port	–	490NAD91105	–

For Ethernet TCP/IP connection

Shielded twisted pair cables to standard EIA/TIA568

Cables fitted with 2 x RJ45 connectors for connection to terminal equipment	Straight	2	490NTW00002	–
		5	490NTW00005	–
		12	490NTW00012	–
		40	490NTW00040	–
		80	490NTW00080	–

Shielded twisted pair cables, UL and CSA 22.1 approved

Cables fitted with 2 x RJ45 connectors for connection to terminal equipment	Straight	2	490NTW00002U	–
		5	490NTW00005U	–
		12	490NTW00012U	–
Ethernet Connector	Elbowed 180°	–	LTM9CE180T ⁽³⁾	0.180

⁽¹⁾ When ordering, replace the ● in the reference with the number or letter required.

⁽²⁾ To order other connectors and cables (UL cables for harsh environments, etc.), please consult our Customer Care Centre.

⁽³⁾ Sold in packs of 6.

TeSys Active

T Motor management system

Coordination: fuses (NFC, DIN type aM) + contactor + TeSys T + current transformers



Characteristics:
p. C1/14 to C1/28

Curves:
p. C1/29

Dimensions, mounting:
p. C1/30 to C1/31

Schemes:
p. C1/32 to C1/35

Motor management devices

0.37 to 75 kW at 400/415 V: type 2 coordination

Standard power ratings of 3-phase motors 50/60 Hz in category AC-3e 400/415 V			Switch-disconnector	aM fuses		Contactor	TeSys T controller	External current transformer
P	I _e		Reference ⁽¹⁾	Size	Rating	Reference ⁽²⁾	Reference	Reference
kW	A				A			
0.37	1.1		GS1DD	10 x 38	2	LC1D09	LTMR08●●	–
0.55	1.5		GS1DD	10 x 38	2	LC1D09	LTMR08●●	–
0.75	1.9		GS1DD	10 x 38	4	LC1D09	LTMR08●●	–
1.1	2.7		GS1DD	10 x 38	4	LC1D09	LTMR08●●	–
1.5	3.6		GS1DD	10 x 38	4	LC1D09	LTMR08●●	–
2.2	4.9		GS1DD	10 x 38	6	LC1D09	LTMR08●●	–
3	6.5		GS1DD	10 x 38	8	LC1D09	LTMR27●●	–
4	8.5		GS1DD	10 x 38	10	LC1D09	LTMR27●●	–
5.5	11.5		GS1DD	10 x 38	16	LC1D12	LTMR27●●	–
7.5	15.5		GS1DD	10 x 38	16	LC1D25	LTMR27●●	–
10	19		GS●F	14 x 51	25	LC1D25	LTMR27●●	–
11	22		GS●F	14 x 51	25	LC1D25	LTMR27●●	–
15	29		GS●F	14 x 51	32	LC1D32	LTMR100●●	–
18.5	35		GS●F	14 x 51	40	LC1D40A	LTMR100●●	–
22	41		GS●J	22 x 58	50	LC1D50A	LTMR100●●	–
30	55		GS●J	22 x 58	80	LC1D65A	LTMR100●●	–
37	66		GS●J	22 x 58	100	LC1D80	LTMR100●●	–
45	80		GS●J	22 x 58	100	LC1D95	LTMR100●●	–
55	97		GS●KK	T00	125	LC1D115A	LTMR08●●	LT6CT2001
75	132		GS●L	T0	160	LC1D150A	LTMR08●●	LT6CT2001

(1) GS●: GS1 for direct operator, GS2 for external operator.

(2) For reversing operation, replace the prefix LC1 with LC2.

90 to 355 kW at 400 V: type 2 coordination

Standard power ratings of 3-phase motors 50/60 Hz in category AC-3e			Switch-disconnector	aM fuses		Contactor	TeSys T controller	External current transformer
400 V			Product type	Size	Rating	Product type	Product type ⁽¹⁾ Ir setting ⁽²⁾	Reference
P	I _e	I _q			A		A	
kW	A	kA						
90	160	80	GS●N	1	200	LC1G185	LTMR08●●● 160	LUTC2001
110	195	80	GS●N	1	250	LC1G225	LTMR08●●● 195	LUTC4001
132	230	80	GS●QQ	2	315	LC1G265	LTMR08●●● 230	LUTC4001
160	280	80	GS●QQ	2	400	LC1G330	LTMR08●●● 280	LUTC4001
200	350	80	GS2S	3	500	LC1G400	LTMR08●●● 350	LUTC8001
250	430	80	GS2S	3	500	LC1G500	LTMR08●●● 430	LUTC8001
315	540	80	GS2S	3	630	LC1G630	LTMR08●●● 540	LUTC8001
355	610	80	GS2V	4	800	LC1G630	LTMR08●●● 610	LUTC8001

(1) Please refer to C1/2 to select the complete reference for TeSys T motor management controller.

(2) This setting is a general guidance, Ir should be adjusted according to motor characteristics and conditions of use.

TeSys Active

T Motor management system

Coordination: magnetic circuit breaker + contactor + TeSys T + current transformers



Characteristics:
p. C1/14 to C1/28

Curves:
p. C1/29

Dimensions, mounting:
p. C1/30 to C1/31

Schemes:
p. C1/32 to C1/35

0.06 to 75 kW at 400/415 V: type 2 coordination

Standard power ratings of 3-phase motors 50/60 Hz in category AC-3e 400/415 V			Limiting block	Circuit breaker	Contactor	TeSys T controller	External current transformer
P	I _e	I _q	Reference	Reference	Reference	Reference	Reference
kW	A	kA					
0.06	0.2	130	–	GV2L03	LC1D09	LTMR08●●	–
0.09	0.3	130	–	GV2L03	LC1D09	LTMR08●●	–
0.12	0.44	130	–	GV2L04	LC1D09	LTMR08●●	–
0.18	0.6	130	–	GV2L05	LC1D09	LTMR08●●	–
0.25	0.85	130	–	GV2L05	LC1D09	LTMR08●●	–
0.37	1.1	130	–	GV2L06	LC1D09	LTMR08●●	–
0.4	1.1	130	–	GV2L06	LC1D09	LTMR08●●	–
0.55	1.5	130	–	GV2L06	LC1D09	LTMR08●●	–
0.6	1.5	130	–	GV2L06	LC1D09	LTMR08●●	–
0.75	1.9	130	–	GV2L07	LC1D09	LTMR08●●	–
0.8	1.9	130	–	GV2L07	LC1D09	LTMR08●●	–
1.1	2.7	130	–	GV2L08	LC1D18	LTMR08●●	–
1.5	3.6	130	–	GV2L08	LC1D18	LTMR08●●	–
2.2	4.9	130	–	GV2L10	LC1D18	LTMR08●●	–
3	6.5	130	–	GV2L14	LC1D18	LTMR08●●	–
4	8.5	130	–	GV2L14	LC1D18	LTMR27●●	–
5.5	11.5	130	–	GV2L16	LC1D25	LTMR27●●	–
7.5	15.5	50	–	GV2L20	LC1D25	LTMR27●●	–
9	18.1	50	–	GV2L22	LC1D25	LTMR27●●	–
11	22	50	–	GV2L22	LC1D25	LTMR27●●	–
15	29	50	–	GV3L32	LC1D40A	LTMR100●●	–
7.5	15.5	85	GV1L3	GV2L20	LC1D25	LTMR27●●	–
9	18.1	85	GV1L3	GV2L22	LC1D25	LTMR27●●	–
11	22	85	GV1L3	GV2L22	LC1D25	LTMR27●●	–
15	29	85	GV1L3	GV2L32	LC1D40A	LTMR100●●	–
18.5	35	50	–	GV3L40	LC1D50A	LTMR100●●	–
22	41	50	–	GV3L50	LC1D50A	LTMR100●●	–
30	55	50	–	GV3L65	LC1D65A	LTMR100●●	–
37	66	70	–	GV4LE80S	LC1D80	LTMR100●●	–
45	80	70	–	NSX100HMA	LC1D115A	LTMR100●●	–

Motor management devices

TeSys Active

T Motor management system

Coordination: magnetic circuit breaker + contactor + TeSys T + current transformers



Characteristics:
p. C1/14 to C1/28

Curves:
p. C1/29

Dimensions, mounting:
p. C1/30 to C1/31

Schemes:
p. C1/32 to C1/35

Motor management devices

0.06 to 75 kW at 400/415 V: type 2 coordination

Standard power ratings of 3-phase motors 50/60 Hz in category AC-3e 400/415 V			Circuit breaker	Contactor	TeSys T controller	External current transformer
P	I _e	I _q	Reference	Reference	Reference	Reference
kW	A	kA				
55	97	50	NSX160NMA	LC1D115A	LTMR08●●	LT6CT2001
55	97	70	NSX160HMA	LC1D115A	LTMR08●●	LT6CT2001
75	132	50	NSX250NMA	LC1D150A	LTMR08●●	LT6CT2001
75	132	70	NSX250HMA	LC1D150A	LTMR08●●	LT6CT2001

90 to 335 kW at 400 V: type 2 coordination

Standard power ratings of 3-phase motors 50/60 Hz in category AC-3e			Circuit breaker	Contactor	TeSys T controller	External current transformer	
400 V			Product type ⁽¹⁾	I _{rm} ⁽²⁾	Product type	Product type ⁽³⁾ Ir setting ⁽²⁾	Reference
P	I _e	I _q		A		A	
kW	A	kA					
90	160	130	NSX250● + MA	2200	LC1G185	LTMR08●● 160	LT6CT2001
110	195	130	NSX400● + MicroLogic 1.3 M	2640	LC1G225	LTMR08●● 195	LT6CT2001
132	230	130	NSX400● + MicroLogic 1.3 M	3200	LC1G265	LTMR08●● 230	LT6CT4001
160	280	130	NSX630● + MicroLogic 1.3 M	3840	LC1G330	LTMR08●● 280	LT6CT4001
200	350	130	NSX630● + MicroLogic 1.3 M	5000	LC1G400	LTMR08●● 350	LT6CT4001
220	380	130	NSX630● + MicroLogic 1.3 M	5500	LC1G500	LTMR08●● 388	LT6CT4001
250	430	130	NS800L + MicroLogic 5.0 LR OFF	6000	LC1G500	LTMR08●● 430	LT6CT8001
300	460	130	NS800L + MicroLogic 5.0 LR OFF	8800	LC1G630	LTMR08●● 460	LT6CT8001
335	575	130	NS800L + MicroLogic 5.0 LR OFF	9600	LC1G630	LTMR08●● 575	LT6CT8001

(1) Product type to be completed by replacing the ● with the breaking performance code:

Rated conditional short-circuit (kA)	NSX250●/ NSX400●/ NSX630●					NS800●
Breaking performance code	F	N	H	S	L	L
400 V	36	50	70	100	130	150

(2) This setting is a general guidance, Ir and I_{rm} should be adjusted according to motor characteristics and conditions of use.

(3) Please refer to C1/2 to select the complete reference for TeSys T motor management controller.

Substitution table

Motor current	Old range LT6P multifunction protection relay			New range T controllers		
	Reference	Reference	External current transformer Reference	Reference	Reference	External current transformer Reference
	~ 100...240 V	≡ 24 V		~ 100...240 V	≡ 24 V	
I < 5 A	LT6POM005FM	LT6POM005S144	–	LTMR08●FM	LTMR08●BD	–
5 A < I < 25 A	LT6POM025FM	LT6POM025S144	–	LTMR27●FM	LTMR27●BD	–
25 A < I < 100 A	LT6POM005FM	LT6POM005S144	LT6CT1001	LTMR100●FM	LTMR100●BD	–
100 A < I < 200 A	LT6POM005FM	LT6POM005S144	LT6CT2001	LTMR08●FM	LTMR08●BD	LT6CT2001
200 A < I < 400 A	LT6POM005FM	LT6POM005S144	LT6CT4001	LTMR08●FM	LTMR08●BD	LT6CT4001
400 A < I < 800 A	LT6POM005FM	LT6POM005S144	LT6CT8001	LTMR08●FM	LTMR08●BD	LT6CT8001

TeSys Active

T Motor management system

Coordination: fuses (NFC, DIN type aM) + contactor + TeSys T + current transformers



Characteristics:
p. C1/14 to C1/28

Curves:
p. C1/29

Dimensions, mounting:
p. C1/30 to C1/31

Schemes:
p. C1/32 to C1/35

0.37 to 75 kW at 690 V: type 2 coordination

Standard power ratings of 3-phase motors 50/60 Hz in category AC-3e			Switch-disconnector ⁽¹⁾	aM fuses		Contactor	TeSys T controller	External current transformer
P	I _e		Reference	Size	Rating	Reference	Reference	Reference
kW	A				A			
0.37	0.64		GS●F	14 x 51	1	LC1D09	LTMR08●●	–
0.55	0.87		GS●F	14 x 51	2	LC1D09	LTMR08●●	–
0.75	1.1		GS●F	14 x 51	2	LC1D09	LTMR08●●	–
1.1	1.6		GS●F	14 x 51	2	LC1D09	LTMR08●●	–
1.5	2.2		GS●F	14 x 51	4	LC1D09	LTMR08●●	–
2.2	2.9		GS●F	14 x 51	4	LC1D09	LTMR08●●	–
3	4		GS●F	14 x 51	6	LC1D09	LTMR08●●	–
4	5		GS●F	14 x 51	6	LC1D09	LTMR08●●	–
5.5	7		GS●F	14 x 51	8	LC1D25	LTMR08●●	–
7.5	9.3		GS●F	14 x 51	10	LC1D25	LTMR27●●	–
11	13		GS●F	14 x 51	16	LC1D25	LTMR27●●	–
15	16.5		GS●G	T000	20	LC1D32	LTMR27●●	–
18.5	21		GS●G	T000	25	LC1D32	LTMR27●●	–
22	25		GS●G	T000	32	LC1D40A	LTMR27●●	–
30	33		GS●G	T000	40	LC1D50A	LTMR100●●	–
37	40		GS●J	22 x 58	50	LC1D65A	LTMR100●●	–
45	49		GS●J	22 x 58	63	LC1D80	LTMR100●●	–
55	58		GS●J	22 x 58	80	LC1D115A	LTMR100●●	–
75	77		GS●KK	T00	100	LC1D115A	LTMR100●●	–

(1) GS●: GS1 for direct operator, GS2 for external operator.

Motor management devices

110 to 400 kW at 690 V: type 2 coordination

Standard power ratings of 3-phase motors 50/60 Hz in category AC-3e			Switch-disconnector	aM fuses		Contactor	TeSys T controller	External current transformer	
690 V			Product type	Size	Rating	Product type	Product type ⁽¹⁾	I _r setting ⁽²⁾	Reference
P	I _e	I _q			A			A	
kW	A	kA			A			A	
110	113	80	GS●KK	0	125	LC1G185	LTMR08●●●	113	LUTC2001
132	140	80	GS●L	0	160	LC1G265	LTMR08●●●	134	LUTC2001
160	165	80	GS●N	1	160	LC1G265	LTMR08●●●	162	LUTC2001
200	203	80	GS●N	1	200	LC1G330	LTMR08●●●	203	LUTC2001
220	233	80	GS●QQ	2	250	LC1G400	LTMR08●●●	224	LUTC4001
250	253	80	GS●QQ	2	250	LC1G400	LTMR08●●●	250	LUTC4001
290	292	80	GS●QQ	2	315	LC1G500	LTMR08●●●	292	LUTC4001
315	321	80	GS●QQ	2	400	LC1G500	LTMR08●●●	313	LUTC4001
355	354	80	GS2S	3	500	LC1G630	LTMR08●●●	354	LUTC4001
400	390	80	GS2S	3	630	LC1G630	LTMR08●●●	400	LUTC8001

(1) Please refer to C1/2 to select the complete reference for TeSys T motor management controller.

(2) This setting is a general guidance, I_r and I_{rm} should be adjusted according to motor characteristics and conditions of use.

TeSys Active

T Motor management system

Coordination: magnetic circuit breaker + contactor + TeSys T + current transformers



Characteristics:
p. C1/14 to C1/28

Curves:
p. C1/29

Dimensions, mounting:
p. C1/30 to C1/31

Schemes:
p. C1/32 to C1/35

Motor management devices

1/2 to 20 HP at 480 V - 3P							
Standard power ratings 480 V			Limiter block	Circuit breaker	Contactor	TeSys T controller	External current transformer
P	I _e	I _q	Reference	Reference	Reference	Reference	Reference
HP	A	kA					
–	0.49	100	–	GV2L04	LC1D09	LTMR08●●	–
–	0.64	100	–	GV2L05	LC1D09	LTMR08●●	–
–	0.87	100	–	GV2L05	LC1D09	LTMR08●●	–
0.5	1.1	100	–	GV2L06	LC1D09	LTMR08●●	–
0.75	1.6	100	–	GV2L06	LC1D25	LTMR08●●	–
1	2.1	65	GV1L3	GV2L07	LC1D25	LTMR08●●	–
1.5	3	65	GV1L3	GV2L08	LC1D25	LTMR08●●	–
2	3.4	65	GV1L3	GV2L08	LC1D25	LTMR08●●	–
3	4.8	65	GV1L3	GV2L10	LC1D25	LTMR08●●	–
5	7.6	65	GV1L3	GV2L14	LC1D25	LTMR08●●	–
7.5	11	65	GV1L3	GV2L16	LC1D25	LTMR27●●	–
10	14	65	GV1L3	GV2L16	LC1D25	LTMR27●●	–
10	14	100	LA9LB920	GV2L16	LC1D25	LTMR27●●	–
15	21	65	GV1L3	GV2L22	LC1D32	LTMR27●●	–
15	21	100	LA9LB920	GV2L22	LC1D32	LTMR27●●	–
20	27	65	GV1L3	GV2L32	LC1D40A	LTMR100●●	–
20	27	100	LA9LB920	GV2L32	LC1D40A	LTMR100●●	–

0.25 to 22 kW at 690 V: type 2 coordination							
Standard power ratings of 3-phase motors 50/60 Hz in category AC-3e 690 V			Limiter block	Circuit breaker	Contactor	TeSys T controller	External current transformer
P	I _e	I _q	Reference	Reference	Reference	Reference	Reference
kW	A	kA					
0.25	0.49	100	–	GV2L04	LC1D09	LTMR08●●	–
0.37	0.64	100	–	GV2L05	LC1D09	LTMR08●●	–
0.55	0.87	100	–	GV2L05	LC1D09	LTMR08●●	–
0.75	1.1	100	–	GV2L06	LC1D09	LTMR08●●	–
1.1	1.6	100	–	GV2L06	LC1D25	LTMR08●●	–
1.5	2.1	65	LA9LB920	GV2L07	LC1D25	LTMR08●●	–
2.2	2.8	65	LA9LB920	GV2L08	LC1D25	LTMR08●●	–
3	3.8	65	LA9LB920	GV2L08	LC1D25	LTMR08●●	–
4	4.9	65	LA9LB920	GV2L10	LC1D25	LTMR08●●	–
5.5	6.7	65	LA9LB920	GV2L14	LC1D25	LTMR08●●	–
7.5	8.9	65	LA9LB920	GV2L14	LC1D25	LTMR27●●	–
9	10.6	65	LA9LB920	GV2L16	LC1D25	LTMR27●●	–
11	12.8	65	LA9LB920	GV2L16	LC1D25	LTMR27●●	–
15	17	65	LA9LB920	GV2L20	LC1D32	LTMR27●●	–
18.5	21	65	LA9LB920	GV2L22	LC1D32	LTMR27●●	–
22	24	65	LA9LB920	GV2L32	LC1D40A	LTMR100●●	–

TeSys Control - TeSys Active


Ultra Motor management controller

T Motor management system

Product references

Motor
management
devices

50437	LTMR08EFM
50438	LTMR08MBD
50439	LTMR08MFM
50440	LTMR08PBD
50441	LTMR08PFM
50442	LTMR100CBD
50485	LTMR100CFM
50486	LTMR100DBD
490NAD91103	LTMR100DFM
490NAD91104	LTMR100EBD
490NAD91105	LTMR100EFM
490NTW00012U	LTMR100MBD
DA1TT090	LTMR100MFM
DA1TT110	LTMR100PBD
DA1TT120	LTMR100PFM
DA1TT130	LTMR27CBD
DA1TT140	LTMR27CFM
DA1TT150	LTMR27DBD
DA1TT160	LTMR27DFM
DA1TT170	LTMR27EBD
LT6CT1001	LTMR27EFM
LT6CT2001	LTMR27MBD
LT6CT4001	LTMR27MFM
LT6CT8001	LTMR27PBD
LTM9BPS	LTMR27PFM
LTM9CE180T	TSXCANCA100
LTM9CEXP10	TSXCANCA300
LTM9CU10	TSXCANCA50
LTM9CU30	TSXCANKCDF180T
LTM9F	TSXCANKCDF90T
LTM9KCU	TSXCANKCDF90TP
LTMCU	TSXPBSCA100
LTMCUF	TSXPBSCA400
LTMEV40BD	VW3A8306R
LTMEV40FM	VW3A8306R03
LTMR08CBD	VW3A8306R10
LTMR08CFM	VW3A8306R30
LTMR08DBD	VW3A8306TF03
LTMR08DFM	VW3A8306TF10
LTMR08EBD	

This document is current.  Click on the product reference to get the most recent availability status (hyperlink to [se.com](https://www.se.com) product datasheet).
If your product variant is no longer available, please consult your distributor or regional sales office.

Technical Data for Designers

Contents

T Motor management system:

- > characteristics C1/14 to C1/28
- > curves C1/29
- > dimensions C1/30 to C1/31
- > schemes C1/32 to C1/35

TeSys Active

T Motor management system

Characteristics



References:
p. C1/2 to C1/9

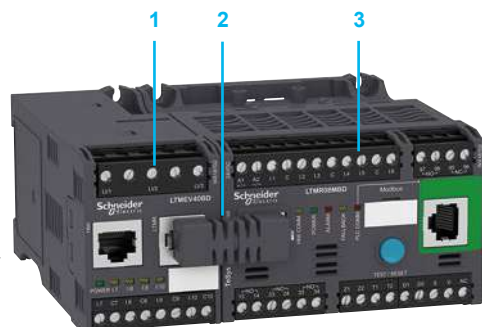
Curves:
p. C1/29

Dimensions, mounting:
p. C1/30 to C1/31

Schemes:
p. C1/32 to C1/35

Motor
management
devices

PB120124.eps



- 1 LTMEV40BD extension module
- 2 LTMCC004 2 x RJ45 jumper
- 3 LTMR08MBD controller

Introduction

TeSys T is a motor management system that provides protection, metering and monitoring functions for single-phase and 3-phase, constant speed, a.c. motors up to 810 A.

Suitable for the harshest applications, this product range offers:

- high-performance multifunction protection, independent of the automation system
- a local HMI control unit for reading, displaying and modifying the parameters monitored, diagnostics, etc.
- configuration using SoMove software
- connection to the automation system via a communication network (selection according to various protocols).

Application

The TeSys T motor management system is used for motor control and protection in harsh industrial applications, in which downtime must be avoided because it is very costly: Oil & Gas, chemical industry, water treatment, metal, minerals and mining, pharmaceutical industry, microelectronics, tunnels, airports etc.

With TeSys T motor management system, unexpected stops of a process or manufacturing, associated with a motor, are anticipated via predictive analysis of fault situations. Fault tripping is therefore reduced to a minimum.

Its use in motor control panels makes it possible to:

- increase the operational availability of installations
- improve flexibility from project design through to implementation
- increase productivity by making available all information needed to run the system.

The motor management system integrates perfectly with Schneider Electric low voltage equipment, such as Okken, Blokset and Prisma.

PB123812.eps



- 1 Magnetic Circuit breaker
- 2 Contactor
- 3 Controller with extension module
- 4 Operator control unit

TeSys Active

T Motor management system

Characteristics



References:
p. C1/2 to C1/9

Curves:
p. C1/29

Dimensions, mounting:
p. C1/30 to C1/31

Schemes:
p. C1/32 to C1/35



PB121434.eps

LTMRO8MBD



PB121436.eps

LTMEV40BD



PB112374.eps

LTMCUF

Motor management devices

Introduction

Composition of the motor management system

The system comprises:

- an LTMR motor management controller
 - with internal current transformer up to 100 A
 - above 100 A, by external current transformer up to 810 A
- an LTME extension module
- an LTMCU operator control unit
- configuration software incorporated in the SoMove software application
- accessories for system set-up.

Communication

The LTMR controller is equipped with a communication interface to allow remote monitoring and control of the motor. All motor information is then available at automation system level.

The following networks are available:

- Modbus, CANopen, DeviceNet, PROFIBUS DP and Ethernet TCP/IP (with two communication protocols, Modbus/TCP and EtherNet/IP).

T system functions

Protection functions

- against thermal overload
- against phase imbalance and phase failure
- thermal motor protection via PTC probes
- against phase reversal
- against earth faults
- against long starting times and motor stalling
- against automatic load shedding and restarting
- against load fluctuations (I, U, P)
- against variations of Cos φ (power factor).

Metering functions

- Measurements (rms values):
 - current on the 3 phases
 - voltage on the 3 phases (shedding)
 - motor temperature
 - earth fault.
- Values calculated:
 - average current
 - frequency
 - Cos φ (power factor), power, power consumption...

Motor control functions

A motor managed by TeSys T motor management system can be controlled:

- locally, using the logic inputs present on the product, or via the HMI terminal
- remotely, via the network (connection by terminal block or connector except for DeviceNet: terminal block only).

Motor control modes

5 predefined motor control modes are incorporated in the controller:

- overload mode: monitoring of motors whose control is not managed by the controller,
- independent mode: starting of non-reversing motors,
- reverser mode: starting of reversing motors,
- 2-step mode: 2-step starting of motors (star-delta, by autotransformer and by resistor),
- 2-speed mode: 2-speed starting of motors (Dahlander, pole changer).

A 6th "Custom" mode is available to allow the user to create a specific motor control mode that is not predefined in the controller.

Statistical and diagnostic functions

- Fault statistics: counters per type of protection and history of the last 5 faults.
- Motor statistics: saving of motor statistics values.
- Diagnosis of faults affecting correct operation of the product.

TeSys Active

T Motor management system

Characteristics



References:
p. C1/2 to C1/9

Curves:
p. C1/29

Dimensions, mounting:
p. C1/30 to C1/31

Schemes:
p. C1/32 to C1/35

Motor
management
devices



PB121447.eps

LTMR●●

Controller ref. LTMR

The controller is the central component in the motor management system. It manages the basic functions such as:

- measurement of 3-phase current via integral current transformers from 0.4 to 100 A (up to 810 A by external current transformers)
- measurement of earth current by external earth fault toroid
- measurement of motor temperature by PTC probe
- inputs and outputs for the various motor control modes, fault management and associated functions.

Characteristics

Supply

2 types of controller power supply are available:

- 24 V $\overline{\text{DC}}$
- 100...240 V \sim .

Current ranges

3 current ranges allow measurement of motor current from 0.4 to 100 A:

- 0.4...8 A
- 1.35...27 A
- 5...100 A.

For use with external current transformers, choose the 0.4...8 A range (1 or 5 A current transformer secondary).

Inputs

- 6 discrete logic inputs.

Outputs

- 3 relay logic outputs (1N/O).
- 1 relay output for fault signalling (1N/O + 1N/C).

Measurements

- Connections for a temperature probe.
- Connections for an earth fault toroid.

Extension module ref. LTME

The extension module adds the following functionalities to the T controller:

- voltage measurement on the 3 phases. This enables it to calculate numerous engine monitoring parameters (power, frequency, Cos ϕ ...)
- 4 additional inputs.

Characteristics

Inputs

- 4 discrete logic inputs (independent).

Power supplies

- 2 types of power supply for the inputs: 24 V $\overline{\text{DC}}$ and 100...240 V \sim .
- A 24 V $\overline{\text{DC}}$ expansion module can be assembled with a 24 V $\overline{\text{DC}}$ controller or with a 100...240 V \sim controller.
- A 100...240 V \sim expansion module can be assembled with a 100...240 V \sim controller.

Voltage measurement between phases up to 690 V nominal.



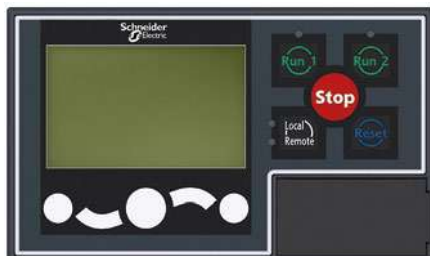
References:
p. C1/2 to C1/9

Curves:
p. C1/29

Dimensions, mounting:
p. C1/30 to C1/31

Schemes:
p. C1/32 to C1/35

PB121448.eps



LTMCU

Human/Machine Interface (HMI)

The HMI which can be used with the LTMR controller is the LTMCU operator control unit:

- entirely dedicated to the T range
- only for control/monitoring of an LTMR controller.

Operator control unit ref. LTMCU

Dedicated exclusively to T controllers, control unit LTMCU makes it possible to:

- configure the parameters of the LTMR controller
- display information on controller configuration and operation
- monitor the alarms and faults generated by the controller
- local control of the motor via the local control interface (keys can be customised). Three different languages can be loaded into the LTMCU controller at the same time.

By default, these 3 languages are:

- LTMCU: English, French and Spanish

Note: English is the only compulsory language.

A language download utility (LangTool), together with all the other languages, are available on the website "www.se.com".

This tool allows the languages present in the LTMCU control unit to be adapted.

The LTMCU HMI control unit has an RJ45 port, protected by a flexible cover to provide a good level of protection (IP54).

This port on the front panel allows connection to a PC, via a connecting cable, in order to use SoMove software.

In this case, the control unit acts as a transmitter and all information can then be viewed in SoMove.

The LTMCU HMI can be used as a portable version by using the separate kit LTM9KCU. This kit consists of two snap-on plastic shells (tool-free mounting) fitted with a simple fixing system that uses magnets for mounting on all types of metal surfaces.

TeSys Active

T Motor management system

Characteristics



References:
p. C1/2 to C1/9

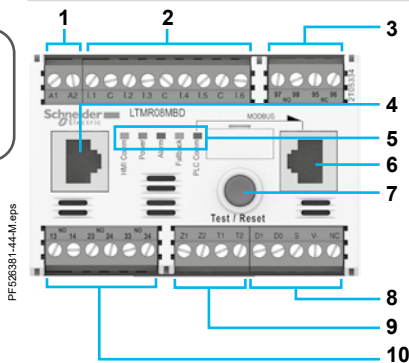
Curves:
p. C1/29

Dimensions, mounting:
p. C1/30 to C1/31

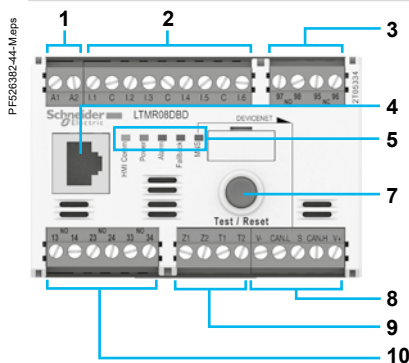
Schemes:
p. C1/32 to C1/35

Controllers ref. LTMR

Modbus



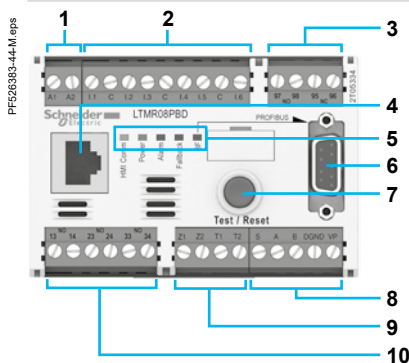
DeviceNet



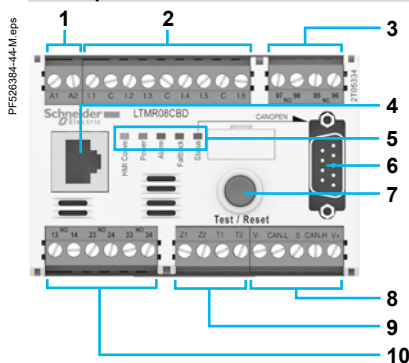
Controllers feature the following on their front panel:

- 1 Controller power supply.
- 2 Input connections.
- 3 Fault outputs (N/O+N/C).
- 4 Port for connection to the HMI terminal, a PC or an extension module (RJ45).
- 5 Controller status LEDs.
- 6 Network port for connection to the network by connector (except DeviceNet) ⁽¹⁾.
- 7 Test/Reset button.
- 8 Connection to the network by terminal block (except Ethernet TCP/IP).
- 9 Connection for an earth fault toroid and temperature probes.
- 10 Outputs for motor control mode function.

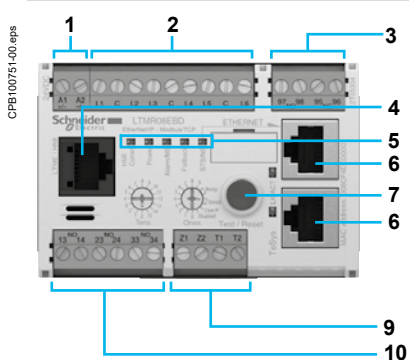
PROFIBUS DP



CANopen

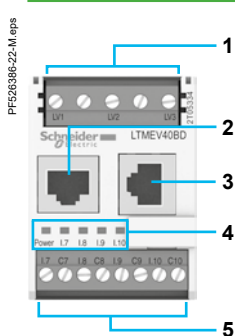


Ethernet TCP/IP (communication protocols: Modbus/TCP and EtherNet/IP)



⁽¹⁾ Connection using power extension (daisy-chaining) is possible for Ethernet TCP/IP.

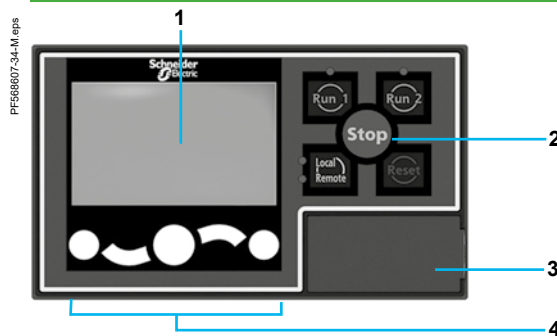
Extension modules ref. LTMEV40●●



Extension modules have the following on their front face:

- 1 Inputs for voltage measurement.
- 2 Port for connection to the HMI terminal or to the PC.
- 3 Port for connection to the controller.
- 4 Extension module status LEDs.
- 5 Connection of additional inputs.

Operator control unit ref. LTMCU



The control unit has the following on its front face:

- 1 Screen LCD display.
- 2 Local control interface including control keys and LEDs.
- 3 RJ45 port on front panel for connection to a PC (protected by a cover).
- 4 Contextual navigation keys.

TeSys Active

T Motor management system

Characteristics



References:
p. C1/2 to C1/9

Curves:
p. C1/29

Dimensions, mounting:
p. C1/30 to C1/31

Schemes:
p. C1/32 to C1/35

Motor management devices

Thermal and current protection functions					
Functions	Setting range	Controller LTMR	Controller and extension module (LTMR + LTME)	Alarm threshold	Fault threshold
Description					
Thermal overload: thermal protection of motor by monitoring current consumption	Class: 5, 10, 15, 20, 25, 30. Inverse Thermal/ Definite Time				
Motor temperature: thermal monitoring of the motor using temperature probes (winding, paper...). Up to 3 sensors in series.	PTC binary PTC/NTC analogue: 20 ... 6500 Ohm				
Phase imbalance: monitors the symmetry of currents. To be used for imbalance < 80 % of the average current ⁽¹⁾ .	10...70% I average 0.2...20 s				
Phase failure: monitors the symmetry of currents. To be used for imbalance < 80 % of the average current ⁽¹⁾ .	0.1...30 s				
Phase reversal: signals when the phase sequence is different from the defined sequence (motor running).	A-B-C A-C-B				
Long starting time: monitors the motor starting time	100...800 % of FLC ⁽²⁾ 1...200 s				
Locked rotor: locking detected by a sudden increase in current after the start phase	100...800 % of FLC ⁽²⁾ 1...30 s				
Min/max current load limit variations: monitors motor load through variations of current around preset thresholds.	min.: 30...100 % of FLC ⁽²⁾ 1...200 s max.: 20...800 % of FLC ⁽²⁾ 1...250 s				
Earth fault: signals internal insulation faults, by vectorial summing of external currents, via earth fault toroid.	internal: 50...500 % min FLC ⁽²⁾ 0.5...25 s external: 0.02...21 A 0.1...25 s				
Frequent starting: Protects the motor against overheating due to frequent starting.	0...999.9 s				
Voltage and power protection functions					
Phase imbalance: monitors the symmetry of voltage between phases. To be used for imbalance < 40 % of the average voltage ⁽³⁾ .	3...15 % 0.2...20 s				
Phase failure: monitors the symmetry of voltage between phases. To be used for imbalance > 40 % of the average voltage ⁽³⁾ .	0.1...30 s				
Phase reversal: signals when the phase sequence is different from the defined sequence (motor stopped).	A-B-C A-C-B				
Voltage variations. Min/max voltage limits: monitors voltage variations around preset thresholds.	min.: 70...99 % 0.2...25 s max.: 101...115 % 0.2...25 s				
Load shedding: opens outputs O.1 and O.2 if voltage drops below a preset threshold.	68...115 % 1...9999 s				
Power variations. Min/max power limits: monitors power variations around preset thresholds.	20...800 % 1...100 s				
Variations of Cos φ. Min/max limits of Cos φ: monitors variations of Cos φ around preset thresholds.	0...1 s 1...25 s				

Function performed.

⁽¹⁾ Average current value measured on the 3 phases.

⁽²⁾ FLC: Full Load Current (setting current).

⁽³⁾ Average voltage value measured on the 3 phases.

TeSys Active

T Motor management system

Characteristics



References:
p. C1/2 to C1/9

Curves:
p. C1/29

Dimensions, mounting:
p. C1/30 to C1/31

Schemes:
p. C1/32 to C1/35

Motor management devices

Motor control functions

Functions	Description	With controller LTMR	With controller LTMR and extension module LTME
Control modes	Local, via terminal block	■	■
	Local, via HMI terminal ⁽¹⁾	■	■
	Remote, via network	■	■
Operating modes	Overload	■	■
	Independent	■	■
	Reverser	■	■
	2-step	■	■
	2-speed	■	■
	"Custom" mode	■	■
Fault management	Manual reset	■	■
	Automatic reset	■	■
	Remote reset	■	■

Metering functions and statistics

Functions	Description	Measurement range	With controller LTMR	With controller LTMR and extension module LTME
Measurements ⁽²⁾	Current/Phase	0.08...1000 A	■	■
	Earth current	0.1633 x CT ratio	■	■
	Average current	0.08...1000 A	■	■
	Current imbalance between phases	0...200 %	■	■
	Thermal capacity level	0...200 %	■	■
	Motor temperature rise	0...6500 Ohm	■	■
	Frequency	0... 100 Hz		■
	Voltage between phases	~ 0...830 V		■
	Voltage imbalance between phases	0...200 %		■
	Active power	0...6553.5 kW		■
	Reactive power	0...6553.5 kVAR		■
	Cos φ (power factor)	0...100		■
	Active power consumption	0...400 kWh		■
Reactive power consumption	0...400 kVARh		■	
Fault statistics	Protection fault counters		■	■
	Protection alarm counters		■	■
	Diagnostic fault counters		■	■
	Motor control function counters		■	■
	Fault history		■	■
Fault diagnostics	Internal watchdog fault		■	■
	Controller internal temperature		■	■
	Temperature sensor connection		■	■
	Current connection		■	■
	Voltage connection		■	■
	Motor control commands (start, stop, run check back and stop check back)		■	■
	Control configuration checksum		■	■
Motor statistics	Loss of communication		■	■
	Number of motor control commands (O.1/O.2 starts)		■	■
	Operating time		■	■
	Number of starts/hour		■	■
	Last start I max.		■	■
Thermal overload statistics	Duration of last start		■	■
	Time to trip		■	■
System operating statistics	Time to restart		■	■
	Run, ON, Start, alarm, fault.		■	■

⁽¹⁾ HMI: Human Machine Interface.

⁽²⁾ See measurement details page C1/26.

TeSys Active

T Motor management system

Characteristics

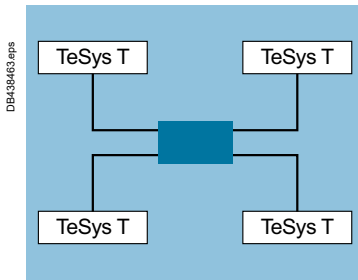


References:
p. C1/2 to C1/9

Curves:
p. C1/29

Dimensions, mounting:
p. C1/30 to C1/31

Schemes:
p. C1/32 to C1/35



Star topology

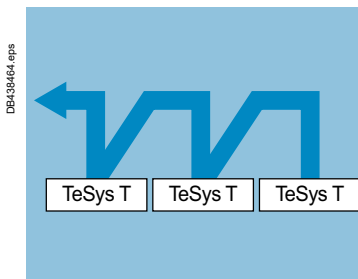
Star topology

In a star topology, all the peripherals are linked via an intermediate peripheral (hub or switch).

In industrial Ethernet applications, the use of full duplex switches (instead of hubs) as central peripherals is strongly recommended.

Daisy chain topology

Daisy chaining, at bus level, is another connection topology commonly used in industrial automation system networks. The cable segments link several peripherals to each other, constituting the peripheral "section" of the network cable.



Daisy chain topology

Motor
management
devices

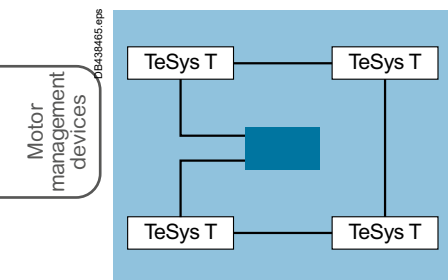


References:
p. C1/2 to C1/9

Curves:
p. C1/29

Dimensions, mounting:
p. C1/30 to C1/31

Schemes:
p. C1/32 to C1/35



Ring topology

Ethernet: different network topologies

Ring topology

In a ring topology, all the peripherals or components of the network infrastructure are connected within a loop.

This type of topology makes it possible to achieve different levels of redundancy of the network.

Ethernet ring

Ethernet rings are generally the main networks in applications where a high level of reliability is required. If a ring topology is required, the switches handling this function must be used.

Redundancy

Redundancy of the network infrastructure is the key to development of applications with high operational reliability.

Implementing a single or double ring architecture makes it possible to provide protection against breaks in network segments.

Single ring

The first level of redundancy can be achieved by installing a single ring.

ConneXium switches can be used to establish main network ring configurations.

The ring is created using RSTP protocol.

If a section of the line fails, the ring structure converts into a line type configuration.

Ethernet: different communication protocols

LTMR controllers communicating over an Ethernet network can communicate either using the Modbus/TCP communication protocol or using the EtherNet/IP communication protocol. Both protocols are loaded in the controller. One must be selected for the operation.

Note: EtherNet/IP communication protocol is supported by ODVA, also promoter of DeviceNet communication solution. Note that in EtherNet/IP, IP stands for Industrial Protocol.

- IP address Class for Ethernet TCP/IP version: Class A 20 ETH10/100.

Services available on Ethernet TCP/IP version		
	In Modbus/TCP	In EtherNet/IP
Web Server	■	■
Modbus messaging	■	
IO Messaging		■
Explicit Messaging		■
Client FDR	■	■
SNMP network administrator	■	■
RSTP	■	■
Discovery	■	■
Master IP	■	■
Broadcast Storm Protection	■	■

TeSys Active

T Motor management system

Characteristics



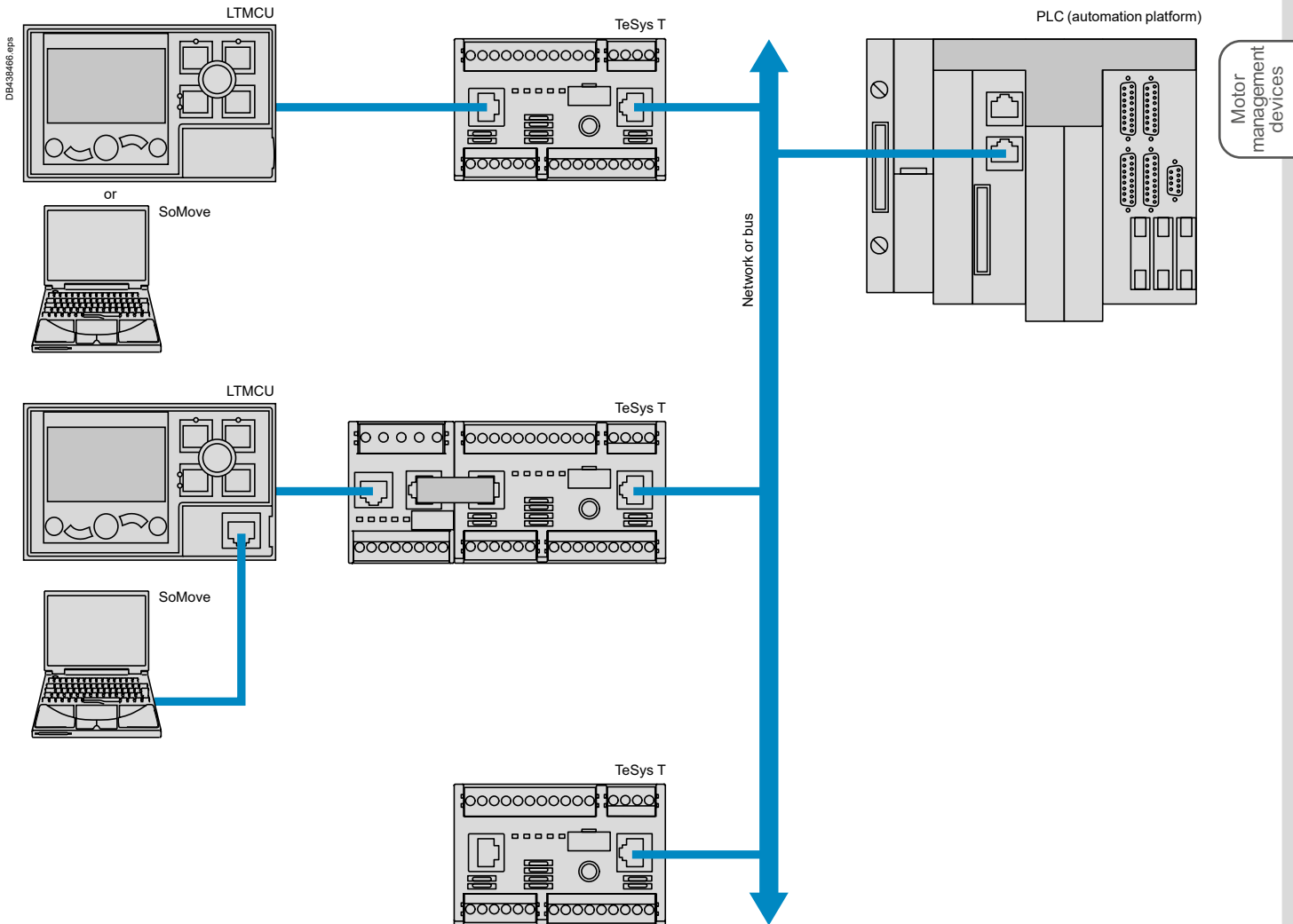
References:
p. C1/2 to C1/9

Curves:
p. C1/29

Dimensions, mounting:
p. C1/30 to C1/31

Schemes:
p. C1/32 to C1/35

Possible configurations and applications





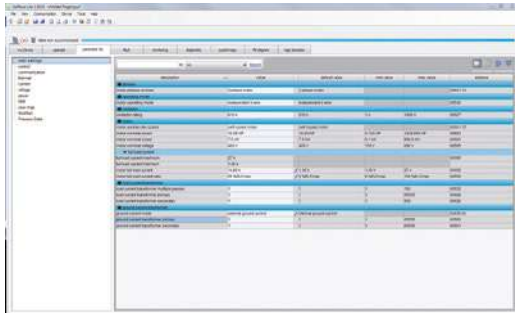
References:
p. C1/2 to C1/9

Curves:
p. C1/29

Dimensions, mounting:
p. C1/30 to C1/31

Schemes:
p. C1/32 to C1/35

Motor
management
devices



Example of T configurator setup screen

Configuration with SoMove

The T configurator is incorporated in the SoMove software application, as from version 2.5. ⁽¹⁾

It allows configuration, commissioning and maintenance of motor starters protected by TeSys T motor management system.

A library containing predefined motor control mode functions is available in order to:

- allow standardisation
- avoid errors
- reduce motor starter setup times.

5 predefined motor control modes are incorporated in the controller:

- overload mode: monitoring of motors whose control is not managed by the controller
- independent mode: starting of non-reversing motors
- reverser mode: starting of reversing motors
- 2-step mode: 2-step starting of motors (star-delta, by autotransformer and by resistor)
- 2-speed mode: 2-speed starting of motors (Dahlander, pole changer).

By using logic functions, a "Custom" mode makes it possible to:

- easily adapt these predefined motor control mode functions to the specific needs of your applications
- create a link with the motor starter environment or
- create new functions.

The functions thus defined can be saved and used to build your function library for future applications.

To create special functions, a logic editor is incorporated in the configurator and allows a choice of 2 programming languages:

- function block
- structured text.

⁽¹⁾ An update file is available, free of charge, on the website "www.se.com". It will enable you to take advantage of the latest functions in the T motor management system.

TeSys Active

T Motor management system

Characteristics



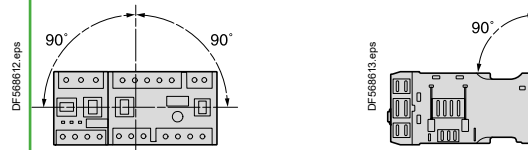
References:
p. C1/2 to C1/9

Curves:
p. C1/29

Dimensions, mounting:
p. C1/30 to C1/31

Schemes:
p. C1/32 to C1/35

Environment		LTMR controllers		LTMEV40 extension modules			
Product type		Conforming to standards		IEC/EN 60947-4-1, UL60947-4-1A, CSA 22-2 n°60947-4-1, IACS E10			
Product certifications				UL, CSA, CE, CCC, UKCA, EAC/GOST, RCM/CTIC'K, Atex, Marine (BV, LROS, DNV, RINA, ABS) ⁽¹⁾			
Rated insulation voltage of the outputs (Ui)	Conforming to IEC/EN 60947-1, overvoltage category III, degree of pollution 3	V	690				
	Conforming to UL 508, CSA C222 n° 14	V	690				
Rated impulse withstand voltage (Uimp)	Conforming to IEC/EN 60947-4-1						
	~ 100...240 V supply, inputs and outputs	kV	4	4			
	~ 24 V supply, inputs and outputs	kV	0.8	0.8			
	Communication circuits	kV	0.8	-			
Short-circuit withstand	Current or voltage measurement circuit	kV	6	6			
	Conforming to IEC/EN 60947-4-1	kA	100				
Climatic withstand	Conforming to IEC/EN 60068-2-30		12 x 24 hour cycles				
	Conforming to IEC/EN 60070-2-11	h	48				
Ambient air temperature around the device	Storage	°C	-40...+80				
	Operation	°C	-20...+60				
Operating position without dating	In relation to normal vertical mounting plane		±30° in relation to mounting plate, ±90°				
Flame resistance	Conforming to UL 94	°C	960 (for parts supporting live components)				
	Conforming to IEC/EN 60695-2-12	°C	650 (for other parts)				
Shock resistance (1/2 sine wave, 11 ms)	Conforming to IEC/EN 60068-2-27 ⁽²⁾		15 gn				
Vibration resistance	Conforming to IEC/EN 60068-2-6 ⁽²⁾		4 gn (plate mounted)				
	5...300 Hz		1 gn (mounted on rail)				
Resistance to electrostatic discharge	Conforming to IEC/EN 61000-4-2	kV	In open air: 8 - Level 3 On contact: 6 - Level 3				
Immunity to radiated electromagnetic interference	Conforming to IEC 61000-4-3	V/m	10 - Level 3				
Immunity to fast transient bursts	Conforming to IEC 61000-4-4	kV	On supply and relay outputs: 4 - Level 4 Other circuits: 2 - Level 3				
Immunity to radioelectric fields ⁽³⁾	Conforming to IEC/EN 61000-4-6	V	10 - Level 3				
Immunity to dissipated shock waves	Conforming to IEC/EN 61000-4-5		Common mode	Serial mode	Common mode	Serial mode	
	Relay outputs and supply	kV	4	2	-	-	
	~ 24 V inputs	kV	1	1	1	1	
	~ 100...240 V inputs	kV	2	1	2	1	
	Voltage inputs	kV	-	-	4	2	
	Communication	kV	2	-	2	-	
	Temperature sensor (IT1/IT2)	kV	1	0.5	-	-	
Altitude derating			2000 m	3000 m	3500 m	4000 m	4500 m
	Rated operational voltage (Ui)		1	0.93	0.87	0.8	0.7
	Max. operating temperature		1	0.93	0.92	0.9	0.88



⁽¹⁾ Certain certifications are pending; please consult your Customer Care Centre.

⁽²⁾ Without modifying the contact states, in the most unfavourable direction.

⁽³⁾ This product has been designed for use in environment A and in B, it may cause unwanted electromagnetic disturbance to other devices, which may require the implementation of adequate mitigation measures.

TeSys Active

T Motor management system

Characteristics



References:
p. C1/2 to C1/9

Curves:
p. C1/29

Dimensions, mounting:
p. C1/30 to C1/31

Schemes:
p. C1/32 to C1/35

Motor management devices

Controller and extension module characteristics							
Product type			Controllers		Extension modules		
			LTMR●●●BD	LTMR●●●FM	LTMEV40BD	LTMEV40FM	
Control supply							
Operational voltage (U)	Conforming to IEC/EN 60947-1	V	≡ 24	~ 100...240	-		
Resistance to voltage dips	Conforming to IEC/EN 61000-4-11	V	0 for 3 ms 70 % of U for 500 ms		-		
Associated protection		A	gG fuse, 0.5		-		
Operational voltage	Limit values	V	≡ 20.4...26.24	~ 93.5...264	-		
Current consumption	50/60 Hz	mA	≡ 56...127	~ 8...62.8	-		
Connectors	Pitch	mm	5.08		5.08		
Flexible cable without cable end	1 conductor	mm ²	0.2...2.5		0.2...2.5		
	2 identical conductors	mm ²	0.2...1.5		0.2...1.5		
Flexible cable with cable end	Without insulated ferrule	1 conductor	0.25...2.5		0.25...2.5		
		2 identical conductors	0.5...1.5		0.5...1.5		
	With insulated ferrule	1 conductor	0.25...2.5		0.25...2.5		
		2 identical conductors	0.2...1		0.2...1		
Solid cable without cable end	1 conductor	mm ²	0.2...2.5		0.2...2.5		
	2 identical conductors	mm ²	0.2...1		0.2...1		
Conductor size			AWG24 to AWG14		AWG24 to AWG14		
Tightening torque		N.m	0.5...0.6		0.5...0.6		
Flat screwdriver		mm	3		3		
Input characteristics							
Nominal values	Conforming to IEC/EN 61131-1		Type 1 positive logic (≡: resistive, ~: capacitive)				
	Voltage	V	≡ 24	~ 100...240	≡ 24	~ 100...240	
	Current	mA	≡ 7	~ 3.1 for 100 V ~ 7.5 for 240 V	≡ 7	~ 3.1 for 100 V ~ 7.5 for 240 V	
Logic inputs	Logic state 1	Voltage	V	15 min	79 < U < 264	15 min	79 < U < 264
		Current	mA	2 min...15 max	2 min at 110 V... 3 min at 220 V	2 min...15 max	2 min at 110 V... 3 min at 220 V
	Logic state 0	Voltage	V	5 max	0 < U < 40	5 max	0 < U < 40
		Current	mA	15 max	15 max	15 max	15 max
Response time	Change to state 1	ms	15	25	15	25	
	Change to state 0	ms	5	25	5	25	
Output characteristics							
Type			Volt free, single break				
Load	~		250 V / 5 A B300				
	≡		30 V / 5 A				
Permissible power in cat. AC-15	For 500 000 operating cycles	VA	480 / I _e max: 2 A				
Permissible power in cat. DC-13	For 500 000 operating cycles	W	30 / I _e max: 1.25 A				
Associated protection		A	gG fuse, 4				
Max. frequency		Hz	2				
Max. operating level		op. cycles/h	1800				
Response time	Change to state 1	ms	10 max				
	Change to state 0	ms	10 max				
Measurement details							
Current			1 % for the 0.4...8 A and 1.35...27 A ranges 2 % for the 5...100 A range				
Voltage			1 % from 100 to 830 V				
Earth fault current	Internal measurement without earth fault toroid		5...15 % for current > 0.1 A in the 0.4...8 A range current > 0.2 A in the 1.35...27 A range current > 0.3 A in the 5...100 A range				
	External measurement with earth fault toroid		< 5 % or 0.01 A				
Temperature measurement			2 %				
Power factor			10 %				
Active and reactive power			15 %				
Internal clock			±30 min / year				

TeSys Active

T Motor management system

Characteristics



References:
p. C1/2 to C1/9

Curves:
p. C1/29

Dimensions, mounting:
p. C1/30 to C1/31

Schemes:
p. C1/32 to C1/35

Motor
management
devices

Bus and network characteristics

Type of bus/network	Modbus	CANopen	DeviceNet	PROFIBUS DP	Ethernet
Physical interface	2-wire RS 485	ISO 11898	ISO 11898	polarised 2-wire RS 485	IEEE 802.3
Addressing	1 to 247	1 to 127	1 to 64	1 to 125	0 to 159 ⁽¹⁾
Transmission speeds	1.2 to 19.2 kb/s	10, 20, 50, 125, 250, 500, 800 and 1000 kb/s + Auto baud	125 to 500 kb/s	9.6 kb to 12 Mb/s	10/100 Mb/s, with automatic recognition
Connections	RJ45/terminal block	9-way SUB-D/terminal block	Terminal block	9-way SUB-D/terminal block	RJ45
Cables	2 shielded twisted pairs	4 twisted, shielded wires	4 twisted, shielded wires	2 shielded twisted pairs, type A	2 shielded twisted pairs

LTMCU operator control unit

Environment

Conforming to standards			IEC/EN 61131-2, UL60947-4-1A, CSA 22-2 n°60947-4-1
Product certifications			UL, CSA, CE, EAC/GOST, RCM/CTIC'K
Ambient air temperature around the device	Storage	°C	-40...+80
	Operation	°C	-20...+60
Relative humidity			15...95 % without condensation
Climatic withstand	Conforming to IEC/EN 60068-2-30		12 x 24 hour cycles
Degree of protection	Conforming to IEC 60947-1		IP54
Shock resistance	Conforming to IEC/EN 60068-2-27		15 gn / 11ms
Vibration resistance	Conforming to IEC/EN 60068-2-6 5...300 Hz		4 gn
Flame resistance	Conforming to IEC 60947-1	°C	650
	Conforming to UL 94		V2

Electrical characteristics

Supply to the product			Powered via the controller
Maximum current		mA	140
Maximum power dissipated		W	1
Resistance to electromagnetic discharge	Conforming to IEC/EN 61000-4-2	kV	In open air: 8. Level 3 On contact: 4. Level 3
Immunity to radiated electromagnetic interference	Conforming to IEC/EN 61000-4-3	V/m	10 - Level 3
Immunity to fast transient bursts	Conforming to IEC/EN 61000-4-4	kV	2, shielded access. Level 3
Immunity to radioelectric fields	Conforming to IEC/EN 61000-4-6	V	10. Level 3
Immunity to shock waves	Conforming to IEC/EN 61000-4-5	kV	2, shielded access. Level 3

Physical characteristics

Mounting			Flush mounted
Display			Backlit LCD
Signalling			By 4 LEDs
Cabling			RJ45

⁽¹⁾ For DHCP, stored IP, addressing limited by subnet mask.



References:
p. C1/2 to C1/9

Curves:
p. C1/29

Dimensions, mounting:
p. C1/30 to C1/31

Schemes:
p. C1/32 to C1/35

Motor management devices

LT6CT●●●● external current transformer characteristics

Conforming to standards		IEC 60185, BS 7626			
Precision		Class 5P			
Precision limit factor		15			
Rated insulation voltage (Ui)		690			
Maximum operating temperature	°C	50			
Transformer ratio	A	100/1	200/1	400/1	800/1
Diameter of conductor passage hole	mm	35	35	35	35
Maximum cabling c.s.a.	mm ²	30 x 10	30 x 10	30 x 10	incorporated ⁽¹⁾

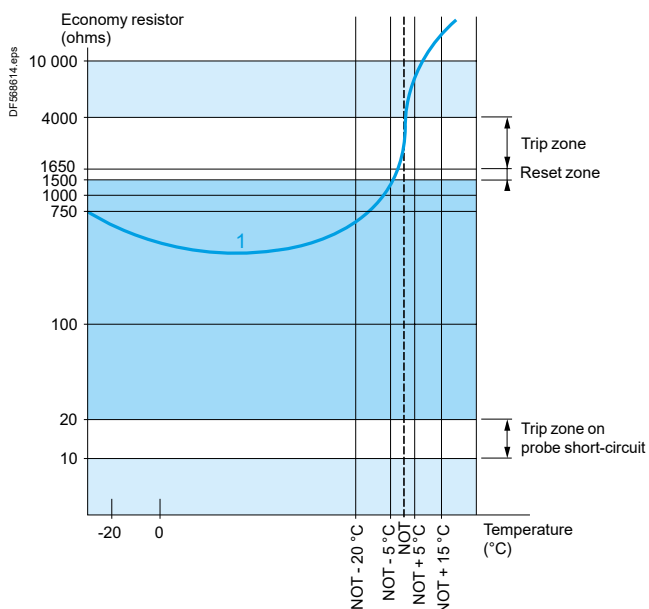
Earth fault toroid characteristics

Toroid type		50437	50438	50439	50440	50441	50442	50485	50486
Rated insulation voltage Ui	V	1000							
Operating temperature	°C	- 35... + 70							
Protection index		IP30 (connections IP20)							
Transformer ratio		1/1000							
Rated operational current Ie	A	65	85	160	250	400	630	85	250
Max. conductor c.s.a. per phase	mm ²	25	50	95	240	2 x 185	2 x 240	50	240

DA1TT●● probe characteristics

Conforming to standards		IEC 60034-11 mark A	
Economy resistor	At 25 °C	Ω	3 x 250 in series
Rated operational voltage (Ue)	Per probe	V	--- 2.5 max
Rated insulation voltage (Ui)		kV	2.5
Insulation			Reinforced
Length of connecting cables	Between probes	mm	250
	Between probe and motor terminal plate	m	1

Guaranteed operating zones: example with 3 probes type DA1TT●●● (250 Ω at 25 °C) in series, conforming to standard EC 60034-11, mark A.



1 3 probes type DA1●●● (250 Ω at 25 °C) in series.

NOT: Nominal Operating Temperature.

Protection unit tripped.

Protection unit reset.

⁽¹⁾ Electrical connection to be made using M10 bolt.



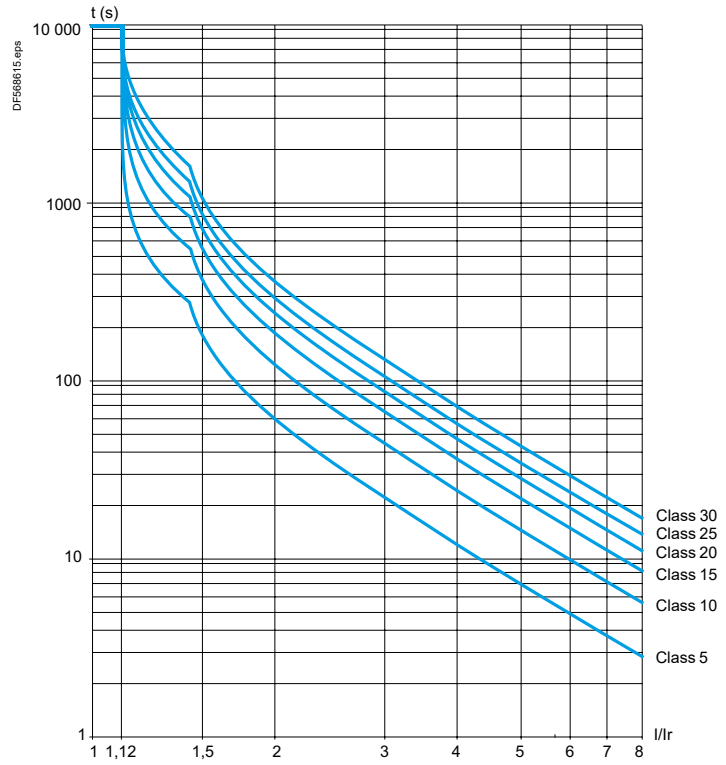
References:
p. C1/2 to C1/9

Curves:
p. C1/29

Dimensions, mounting:
p. C1/30 to C1/31

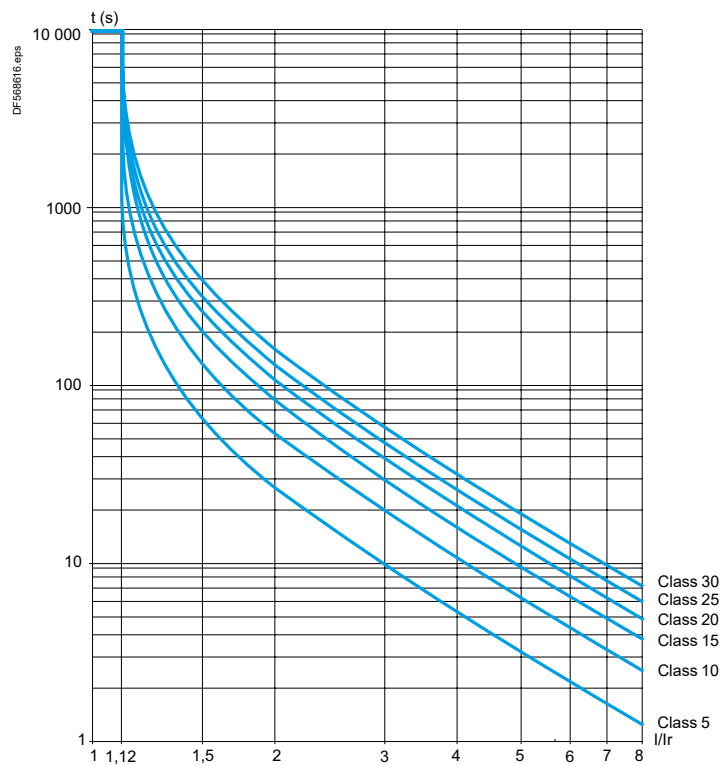
Schemes:
p. C1/32 to C1/35

Cold state curves



Motor
management
devices

Hot state curves



TeSys Active

T Motor management system

Dimensions, mounting



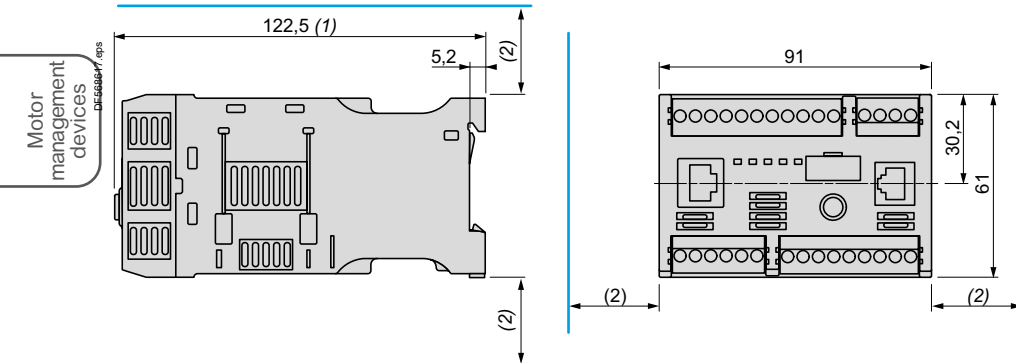
References:
p. C1/2 to C1/9

Characteristics:
p. C1/14 to C1/28

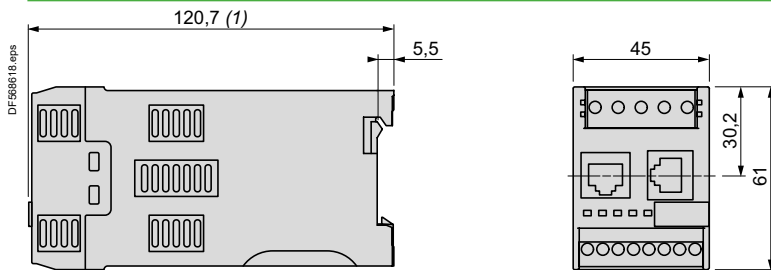
Curves:
p. C1/29

Schemes:
p. C1/32 to C1/35

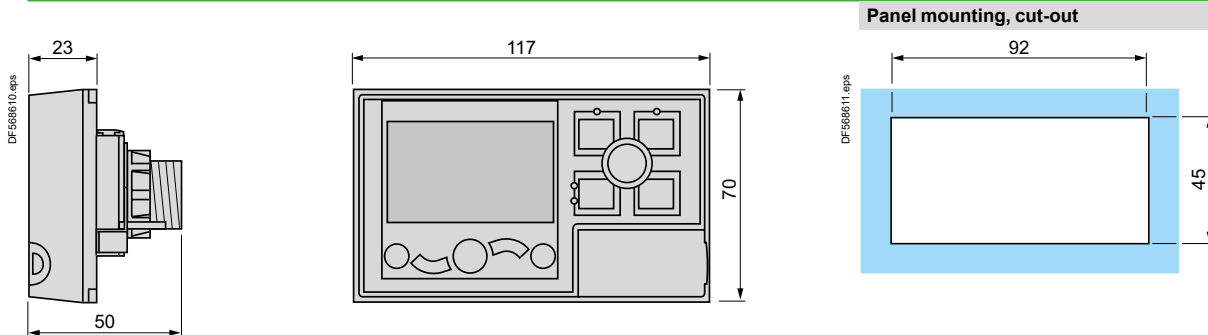
LTMR●● controllers



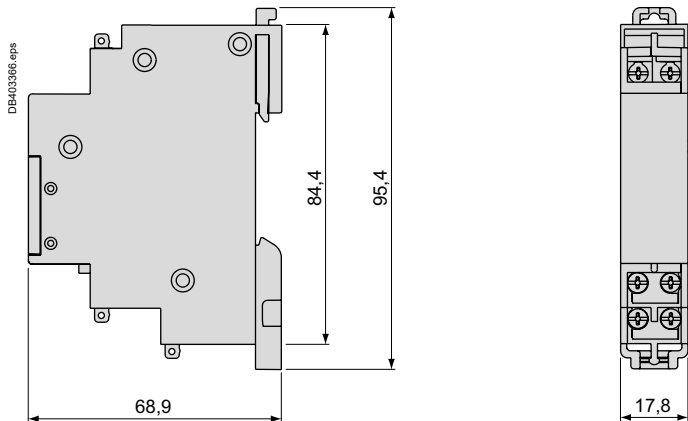
LTMEV40●● extension modules



LTMCU operator control unit



LTM9F



- (1) 140 mm with RJ45 connector for connection to extension module and to network,
166 mm with PROFIBUS DP/CANopen connector.
- (2) Leave a gap around the device of: 9 mm at 45 °C, 9 to 40 mm from 45 to 50 °C, 40 mm at 60 °C.

TeSys Active

T Motor management system

Dimensions



References:
p. C1/2 to C1/9

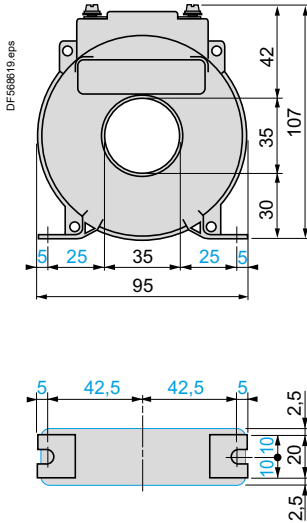
Characteristics:
p. C1/14 to C1/28

Curves:
p. C1/29

Schemes:
p. C1/32 to C1/35

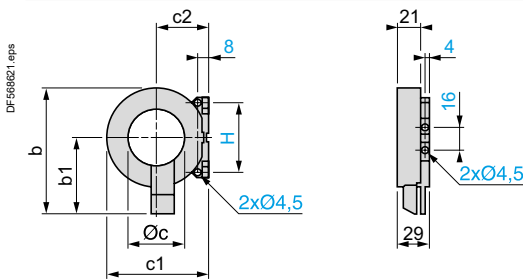
Current transformers

LT6CT

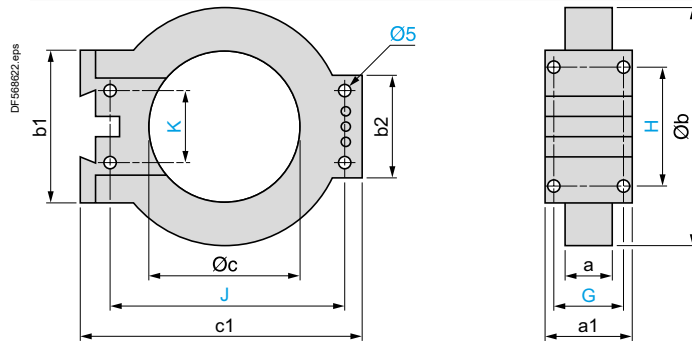


Earth fault toroids

50437 and 50438



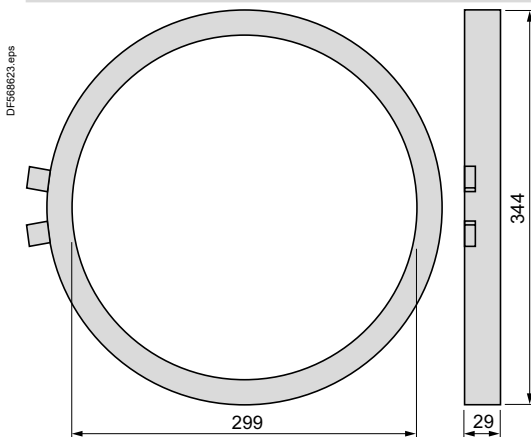
50439, 50440 and 50441



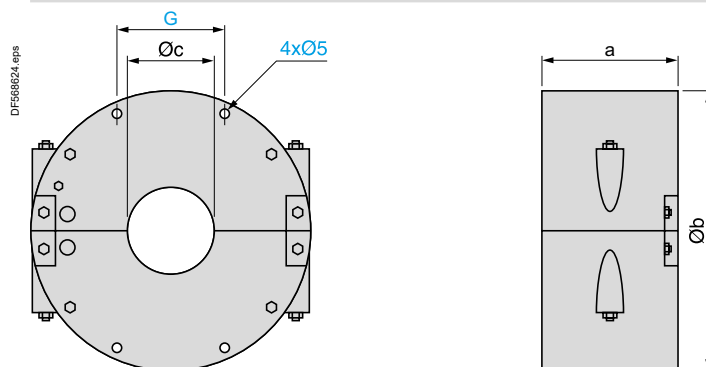
Type	b	b1	Øc	c1	c2	H
50437	83	53	30	60	31	50
50438	109	66	50	87	45	60

Type	a	a1	Øb	b1	b2	Øc	c1	G	H	J	K
50439	26.5	44	122	80	55	80	150	35	65	126	40
50440	26.5	44	164	80	55	120	190	35	65	166	40
50441	29	46	256	120	90	196	274	37	104	254	60

50442



50485 and 50486



Type	a	Øb	Øc	G
50485	72	148	46	57
50486	78	224	110	76

Motor
management
devices

TeSys Active

T Motor management system

Schemes



References:
p. C1/2 to C1/9

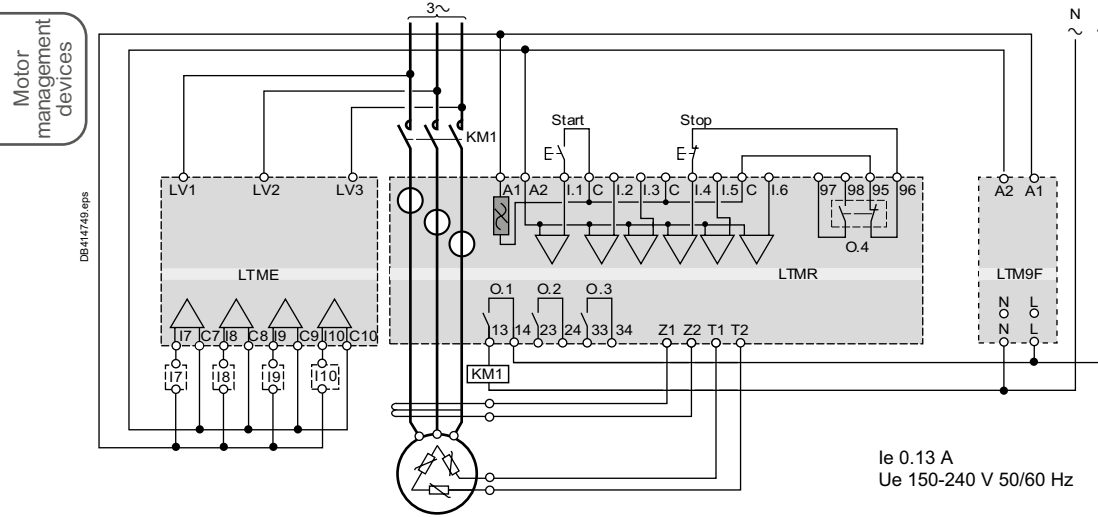
Characteristics:
p. C1/14 to C1/28

Curves:
p. C1/29

Dimensions, mounting:
p. C1/30 to C1/31

Schemes

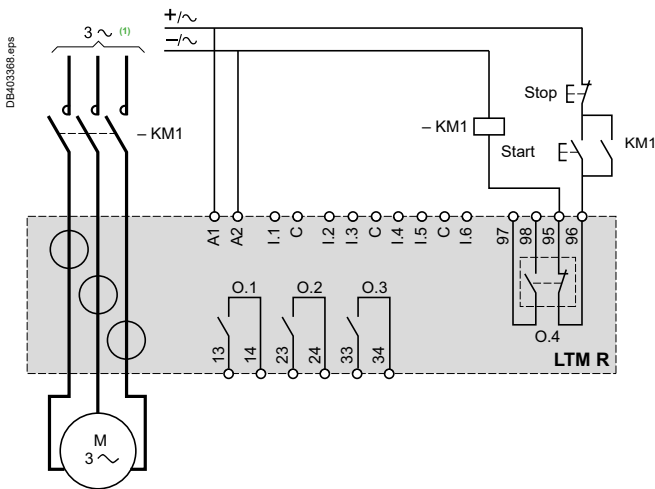
LTMR●●FM wiring with LTM9F filter



Note: inputs **MUST** be connected across the common terminals (C).

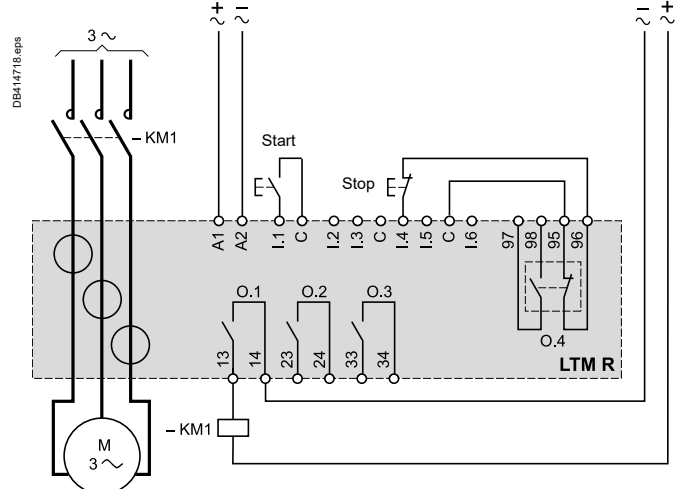
Overload mode

3-wire local-control



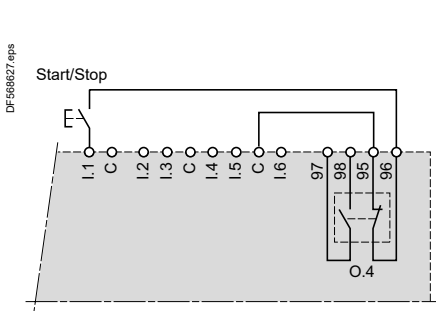
Independent mode

3-wire local-control

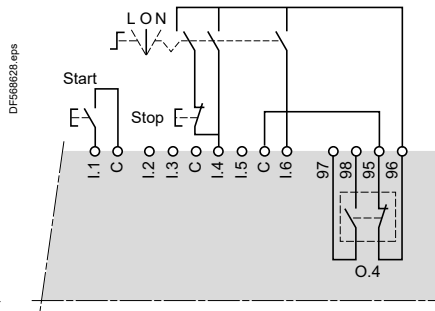


(1) Connection of a single-phase motor is possible. In this case, do not use the central current transformer.

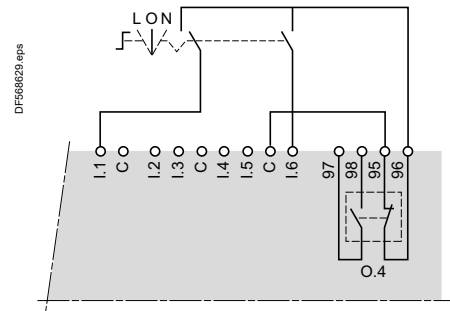
2-wire local-control



3-wire with switchable local/network control



2-wire with switchable local/network control



L: Local control
O: Stop
N: Network control

TeSys Active

T Motor management system

Schemes



References:
p. C1/2 to C1/9

Characteristics:
p. C1/14 to C1/28

Curves:
p. C1/29

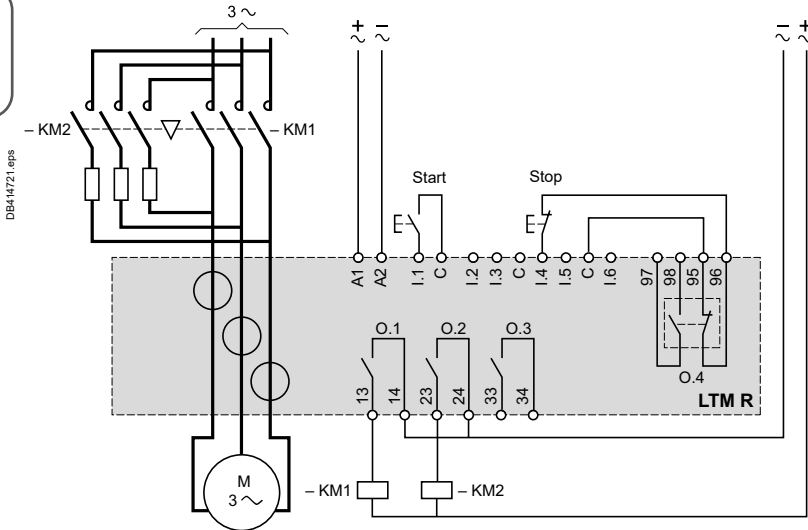
Dimensions, mounting:
p. C1/30 to C1/31

Schemes

2-step mode, primary resistor application

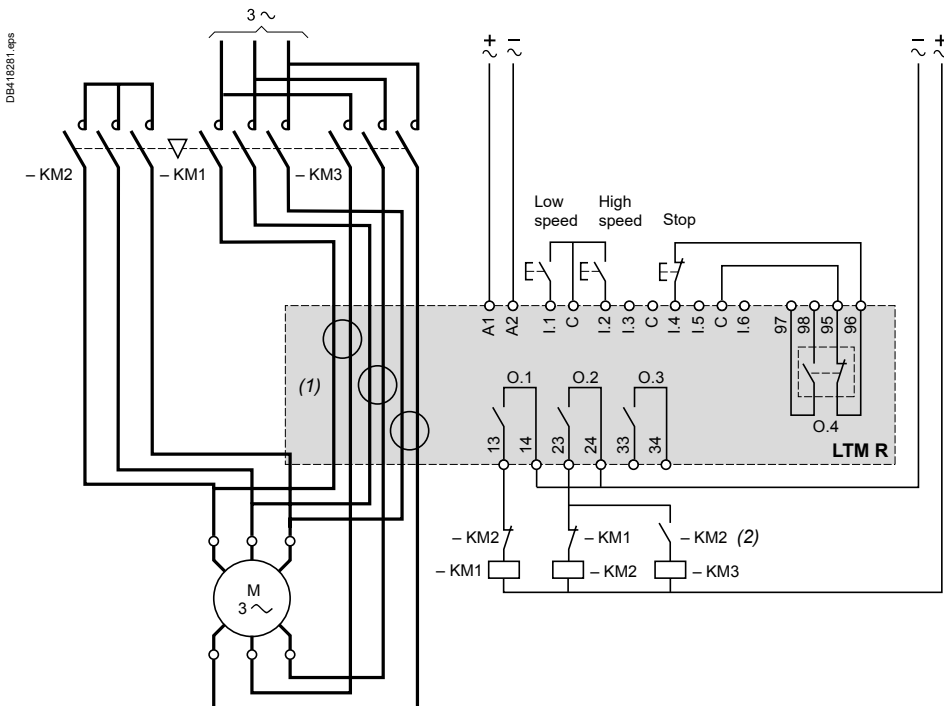
3-wire local-control

Motor management devices



2-speed mode, Dahlander application

3-wire local-control



- (1) For a Dahlander application, all the power cables must pass through current transformers. The controller can also be placed upstream of the contactor. In this case, and if the Dahlander motor is used in "variable torque" mode, all the cables downstream of the contactors must be of identical size.
- (2) Contacts for interlocking KM1 and KM2 are not obligatory because the controller electronically interlocks outputs O.1 and O.2.

TeSys Active

T Motor management system

Schemes



References:
p. C1/2 to C1/9

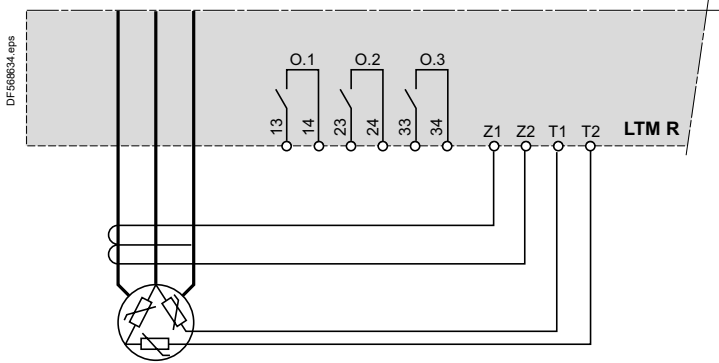
Characteristics:
p. C1/14 to C1/28

Curves:
p. C1/29

Dimensions, mounting:
p. C1/30 to C1/31

Schemes

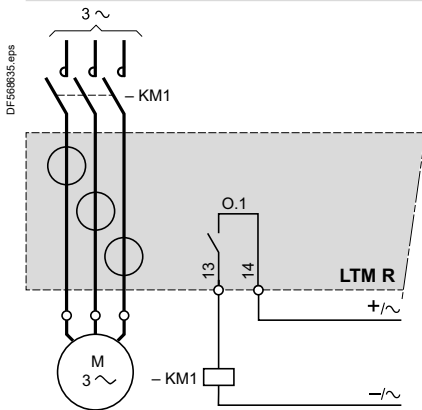
Earth fault toroid and motor temperature probe connection



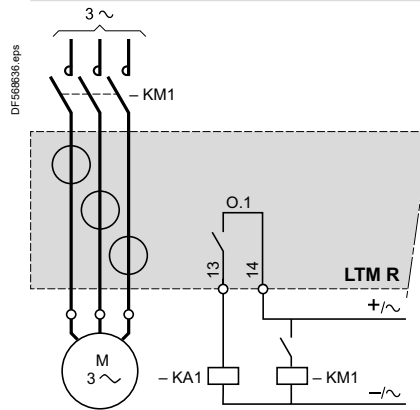
Motor
management
devices

Connection of outputs for motor control mode function

Without intermediate relay



With intermediate relay



TeSys island	
Content	Pages
TeSys Avatar	
island Concept	C2/3
Library: description and applications	C2/4
Composition in modules	C2/5
Product references	C2/6
Modules Description	
TeSys island Bus Couplers	C2/7
TeSys island Power Interface Modules	C2/12
TeSys island Standard Starters	C2/15
TeSys island SIL Starters	C2/19
TeSys island SIL Interface Module	C2/23
TeSys island Digital I/O Module	C2/27
TeSys island Analog I/O Module	C2/30
TeSys island Voltage Interface Module	C2/34
TeSys island Assembly Kits	C2/37
Thermal Protection Tripping Curves	C2/40
Related documentation	C2/41

TeSys Active

island Digital Multifunctional Load Management Solution

island Concept

TeSys™ island is an innovative digital load management solution, providing data for higher machine efficiency and ease of servicing, and allowing faster time to market.

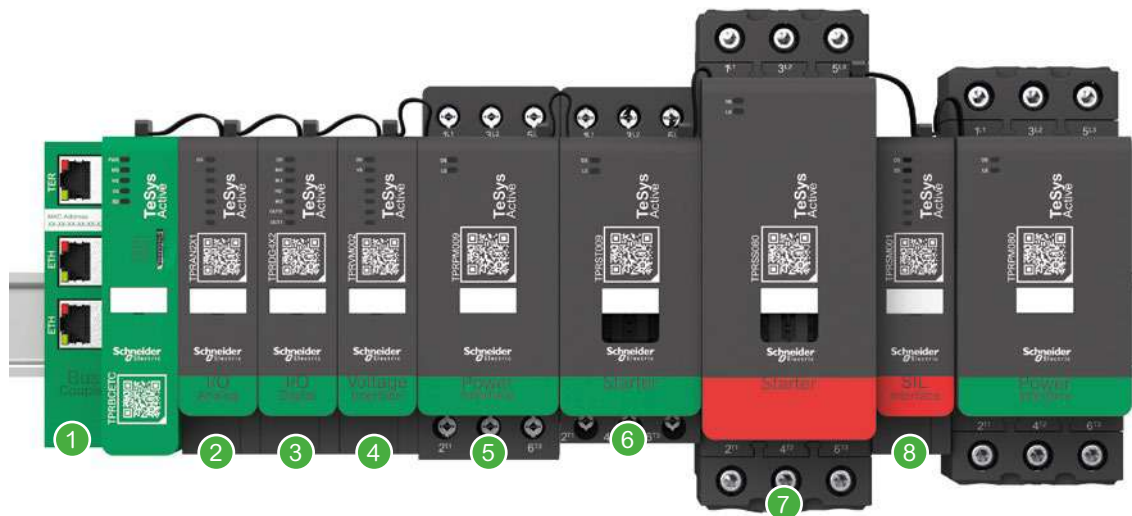
TeSys island is a modular, multifunctional system providing integrated functions inside an automation architecture, primarily for the direct control and management of low-voltage loads. After commissioning, TeSys island can switch, help protect, and manage motors and other electrical loads up to 37 kW installed in an electrical control panel.

This system is designed around the concept of TeSys avatars. These avatars:

- are the functional object representing a logical function of the physical module with pre-defined logic
- determine the configuration of the island.

The logical aspects of the island are managed with software tools, covering all phases of product and application lifecycle: design, engineering, commissioning, operation, and maintenance.

Control and monitoring island



- | | |
|----------------------------|--------------------------|
| 1 Bus Coupler | 5 Power interface module |
| 2 Analog I/O module | 6 Standard Starter |
| 3 Digital I/O module | 7 SIL Starter |
| 4 Voltage interface module | 8 SIL interface module |

The physical island consists of a set of devices installed on a single DIN rail controlling loads, monitoring data, diagnostics information and connected together with a ribbon cable providing the internal communication between modules.

The external communication with the automation environment is made via a single coupler module, and the island is seen as a single node on the network. The other modules include starters, power interface modules, analog and digital I/O modules, voltage interface modules, and SIL interface modules, covering a wide range of operational functions.

TeSys Active

island Digital Multifunctional Load Management Solution

TeSys Avatar - Library

Control and monitoring island

Avatar descriptions and applications			Functions	
Avatars			Electrical & load protection & control	SIL Stop function ⁽¹⁾
ID	Name	Description		
A001	Pump	To manage a pump	●	
A002	Conveyor One Direction	To manage a conveyor in one direction	●	
A003	Conveyor One Direction - SIL Stop, W. Cat 1/2 ⁽¹⁾	To manage a conveyor in one direction, with SIL Stop function compliance for wiring category 1 and category 2	●	●
A004	Conveyor Two Directions	To manage a conveyor in two directions	●	
A005	Conveyor Two Directions - SIL Stop, W. Cat 1/2 ⁽¹⁾	To manage a conveyor in two directions, with SIL Stop function compliance for wiring category 1 and category 2	●	●
D001	Switch	To make or break a power line in an electrical circuit		
D002	Switch - SIL Stop, W. Cat 1/2 ⁽¹⁾	To make or break a power line in an electrical circuit with SIL Stop function compliance for wiring category 1 and category 2		●
D004	Digital I/O	To provide control of 2 digital outputs and status of 4 digital inputs		
D005	Analog I/O	To provide control of 1 analog output and status of 2 analog inputs		
D006	Switch - SIL Stop, W. Cat 3/4 ⁽¹⁾	To make or break a power line in an electrical circuit with SIL Stop function compliance for wiring category 3 and category 4		●
L001	Power Interface w/o I/O (measure)	To monitor current supplied to an external device, such as a solid-state relay, soft starter, or variable speed drive		
L002	Power Interface with I/O (control)	To monitor current supplied to and to control an external device, such as a solid-state relay, soft starter, or variable speed drive	●	
L003	Motor One Direction	To manage ⁽²⁾ a motor in one direction	●	
L004	Motor One Direction - SIL Stop, W. Cat 1/2 ⁽¹⁾	To manage a motor in one direction, with SIL Stop function compliance for wiring category 1 and category 2	●	●
L006	Motor Two Directions	To manage a motor in two directions (forward and reverse)	●	
L007	Motor Two Directions - SIL Stop, W. Cat 1/2 ⁽¹⁾	To manage a motor in two directions (forward and reverse), with SIL Stop function compliance for wiring category 1 and category 2	●	●
L009	Motor Y/D One Direction	To manage a wye/delta (star/delta) motor in one direction	●	
L010	Motor Y/D Two Directions	To manage a wye/delta (star/delta) motor in two directions (forward and reverse)	●	
L011	Motor Two Speeds	To manage a two-speed motor	●	
L012	Motor Two Speeds - SIL Stop, W. Cat 1/2 ⁽¹⁾	To manage a two-speed motor, with SIL Stop function compliance for wiring category 1 and category 2	●	●
L014	Motor Two Speeds Two Directions	To manage a two-speed motor in two directions (forward and reverse)	●	
L015	Motor Two Speeds Two Directions - SIL Stop, W. Cat 1/2 ⁽¹⁾	To manage a two-speed motor in two directions (forward and reverse), with SIL Stop function compliance for wiring category 1 and category 2	●	●
L017	Resistor	To manage a resistive load	●	
L018	Power Supply	To manage a power supply	●	
L019	Transformer	To manage a transformer	●	
L020	Motor One Direction - SIL Stop, W. Cat 3/4 ⁽¹⁾	To manage a motor in one direction, with SIL Stop function compliance for wiring category 3 and category 4	●	●
L021	Motor Two Directions SIL Stop, W. Cat 3/4 ⁽¹⁾	To manage a motor in two directions, with SIL Stop function compliance for wiring category 3 and category 4	●	●
L022	Motor Two Speed - SIL Stop, W. Cat 3/4 ⁽¹⁾	To manage a two-speed motor, with SIL Stop function compliance for wiring category 3 and category 4	●	●
L023	Motor Two Speeds Two Directions - SIL Stop, W. Cat 3/4 ⁽¹⁾	To manage a two-speed motor in two directions, with SIL Stop function compliance for wiring category 3 and category 4	●	●
S001	System avatar	A required avatar that enables a single point of communication to the island		

⁽¹⁾ Wiring Category 1, Category 2, Category 3 and Category 4 according to ISO 13849.

⁽²⁾ "Manage" in this context encompasses energizing, controlling, monitoring, diagnosing, and protecting the load.

TeSys Active

island Digital Multifunctional Load Management Solution

TeSys Avatar - Composition in modules

TeSys island modules



Control and monitoring island

Note: a TeSys island Bus Coupler (BC) must be added to all TeSys island module assemblies.

Avatars composition (TeSys island modules)

Avatar ID / description	Module 1	Module 2	Module 3	Module 4	Optional modules	Assembling kit
A001 Pump	ST	DG			DG, AN	
A002 Conveyor One Direction	ST	DG			DG, AN	
A003 Conveyor One Direction - SIL Stop, W. Cat. 1/2 ⁽¹⁾	SS	DG			DG, AN	K
A004 Conveyor Two Directions	ST	ST	DG	DG	DG, AN	
A005 Conveyor Two Directions - SIL Stop, W. Cat. 1/2 ⁽¹⁾	SS	SS	DG		DG, AN	K
D001 Switch	ST					
D002 Switch - SIL Stop, W. Cat 1/2 ⁽¹⁾	SS ⁽²⁾					
D004 Digital I/O	DG					
D005 Analog I/O	AN					
D006 Switch - SIL Stop, W. Cat 3/4 ⁽¹⁾	SS ⁽²⁾					
L001 Power Interface w/o I/O (measure)	PIM				AN	
L002 Power Interface with I/O (control)	DG	PIM			AN	
L003 Motor One direction	ST				AN	
L004 Motor One Direction - SIL Stop, W. Cat 1/2 ⁽¹⁾	SS ⁽²⁾				AN	
L006 Motor Two Directions	ST	ST			AN	K
L007 Motor Two Directions - SIL Stop, W. Cat 1/2 ⁽¹⁾	SS ⁽²⁾	SS			AN	K
L009 Motor Y/D One Direction	ST	ST	ST		AN	K
L010 Motor Y/D Two Directions	ST	ST	ST	ST	AN	K
L011 Motor Two Speeds	ST	ST			AN	K
L012 Motor Two Speeds - SIL Stop, W. Cat 1/2 ⁽¹⁾	SS ⁽²⁾	SS			AN	K
L014 Motor Two Speeds Two Directions	ST	ST	ST	ST	AN	K
L015 Motor Two Speeds Two Directions - SIL Stop, W. Cat 1/2 ⁽¹⁾	ST ⁽²⁾	ST	SS ⁽²⁾	SS	AN	K
L017 Resistor	ST					
L018 Power Supply	ST					
L019 Transformer	ST					
L020 Motor One Direction - SIL Stop, W. Cat 3/4 ⁽¹⁾	SS ⁽²⁾					
L021 Motor Two Directions - SIL Stop, W. Cat 3/4 ⁽¹⁾	SS ⁽²⁾	SS				
L022 Motor Two Speed - SIL Stop, W. Cat 3/4 ⁽¹⁾	SS ⁽²⁾	SS			AN	K
L023 Motor Two Speed Two Directions - SIL Stop, W. Cat 3/4 ⁽¹⁾	SS ⁽²⁾	ST	SS ⁽²⁾	SS	AN	K
S001 System avatar	BC					

⁽¹⁾ Wiring Category 1, Category 2, Category 3 and Category 4 according to ISO 13849.

⁽²⁾ One SIM is needed with every SIL group in an island, even if the group is composed of several SS modules.

TeSys Active

island Digital Multifunctional Load Management Solution

Product references

Control and
monitoring
island

TeSys island components			
Designation		Product commercial reference	Page
Standard Starter	9 A (AC-3/AC-3e)	TPRST009	18, 19, 20
	25 A (AC-3/AC-3e)	TPRST025	18, 19, 20
	38 A (AC-3/AC-3e)	TPRST038	18, 19, 20
	65 A (AC-3/AC-3e)	TPRST065	18, 19, 20
	66 A (AC-3/AC-3e) - 80 A (AC-1)	TPRST080	18, 19, 20
SIL Starter	9 A (AC-3/AC-3e)	TPRSS009	22, 23, 24
	25 A (AC-3/AC-3e)	TPRSS025	22, 23, 24
	38 A (AC-3/AC-3e)	TPRSS038	22, 23, 24
	65 A (AC-3/AC-3e)	TPRSS065	22, 23, 24
	66 A (AC-3/AC-3e) - 80 A (AC-1)	TPRSS080	22, 23, 24
Power interface module	9 A (AC-3/AC-3e)	TPRPM009	15, 16
	38 A (AC-3/AC-3e)	TPRPM038	15, 16
	80 A (AC-3/AC-3e)	TPRPM080	15, 16
Voltage interface module		TPRVM001	37, 38
SIL interface module		TPRSM001	26, 27
Digital I/O module	(4 input - 2 output)	TPRDG4X2	30, 31
Analog I/O module	(2 input - 1 output)	TPRAN2X1	33, 34, 35
Bus Coupler	EtherNet/IP - Modbus TCP	TPRBCEIP	10, 11
	PROFINET	TPRBCPFN	10, 12
	PROFIBUS	TPRBCPF B	10, 13
Assembly and Wiring Kits			
Designation		Product commercial reference	Page
Kit for reversing starter application	for 9, 25, 38 A (size 1 and 2) starters	LAD9R1	41
	for 65, 80 A (size 3) starters	LAD9R3	41
Jumper bar 3-pole for Star Delta application	for 9, 25, 38 A (size 1 and 2) starters	LAD9P3	41
	for 65, 80 A (size 3) starters, a hazard sticker is provided	LAD9SD3S	41

TeSys Active

island Digital Multifunctional Load Management Solution - Bus Couplers

Product references

Bus Couplers (BC), for communication between the modules and the PLC



TPRBCEIP

TPRBCPFN



TPRBCPFB

A Bus Coupler is always present in the island as the fieldbus communication interface. It controls all other modules of the island.

Main functions

- Communicating with the PLC
- Managing the avatars and their associated modules
- Collecting operational status and diagnostic data from the island's modules
- Communicating with configuration, operation and maintenance digital tools
- Supplying the modules with control power.

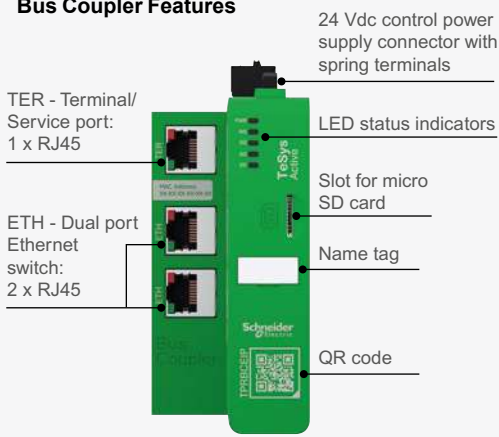
The bus coupler is connected

- Upstream to the fieldbus
- Downstream to the island devices with the ribbon cable
- Upstream to the control power supply
- Optionally, through its service port, to a programming tool working with EcoStruxure™ Machine Expert, a single software environment.

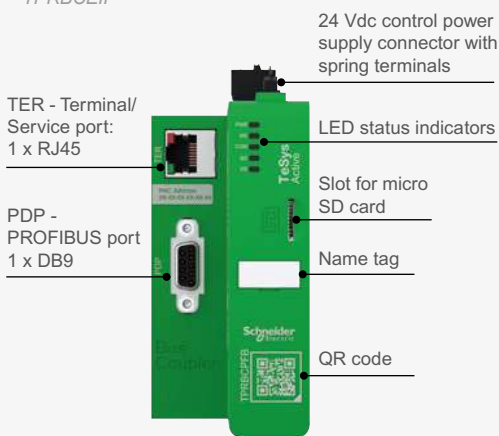
For TPRBCEIP and TPRBCPFN, the bus coupler service port and dual port Ethernet switch are located on the same network with the same IP address. All bus couplers are equipped with a micro SD card slot, to allow several upload and backup functions on a micro SD card.

Control and monitoring island

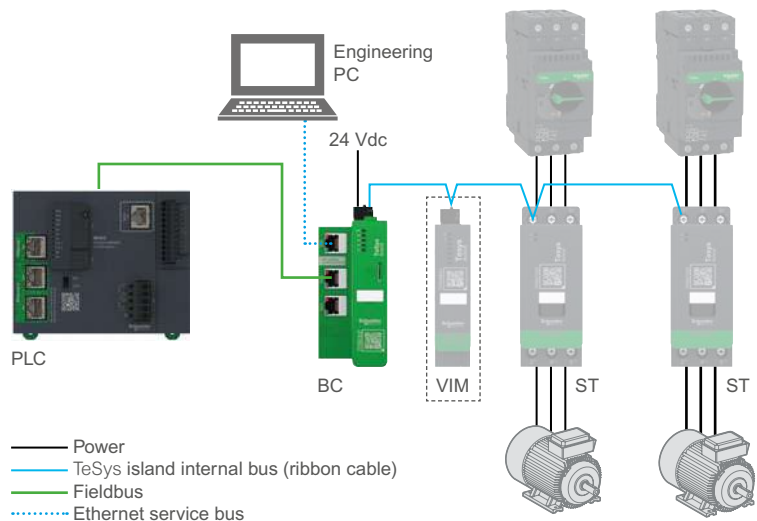
Bus Coupler Features



TPRBCEIP



TPRBCPFB



Bus Couplers

Designation	Fieldbus protocol	Service bus protocol	Product Reference	Weight (kg)
TeSys island Bus Coupler	EtherNet/IP - Modbus TCP	Ethernet TCP/IP	TPRBCEIP	0.204
	PROFINET	Ethernet TCP/IP	TPRBCPFN	0.204
	PROFIBUS	Ethernet TCP/IP	TPRBCPFB	0.204

TeSys Active

island Digital Multifunctional Load Management Solution - Bus Couplers

Characteristics

Control and monitoring island

Bus Coupler Product Reference		TPRBCEIP	
Standards - Certification			
Standards		EN/IEC 61010-02-201, EN/IEC 60947-4-1, UL 61010-02-201, CSA C22.2 No 61010-02-201	
Product certification		UL, CSA, EAC, DNV (EU RO MR Type Approved)	
Cybersecurity		Achilles certified - level 2	
Functional characteristics			
Functionalities		Provides communication between a TeSys island and a PLC. Communication management with up to 20 Starters/modules	
Software compatibility		Compatible with SoMove , a setup software for PC designed to configure Schneider Electric motor control devices, EcoStruxure™ Machine Expert , a solution software for developing, configuring, and commissioning the entire machine in a single software and EcoStruxure™ Control Expert , a solution software for developing, configuring, and commissioning the Modicon PLC in a single software	
1 TER port: for engineering		RJ45 connector for engineering PC - Ethernet TCP/IP	
2 ETH ports: for fieldbus		RJ45 connector - EtherNet/IP; Modbus TCP	
Exchange mode		Half duplex, full duplex, autonegotiation Ethernet	
Communication services		EtherNet/IP adapter, Modbus TCP server, DHCP client, SNMP client, SNTP client, auto MDI/MDX function	
External storage / configuration; parameters; Log files		Micro SD memory card (not provided), Micro SD port is provided on TPRBCEIP	
Local signaling		<ul style="list-style-type: none"> • Island Power on, 1 green/yellow LED • Module status, 1 green/red LED • Network / fieldbus status, 1 green/red LED • TeSys island internal bus status, 1 green/red LED • Micro SD card status, 1 green/red LED 	
Environment			
Ambient air temperature for storage	°C (°F)	-25...70 (-13...158)	
Ambient air temperature for operation	°C (°F)	-10...60 (14...140)	
Ambient air humidity for operation	%	5...95	
Operating altitude	m (ft)	0...2000 (0...6562) without derating	
IP degree of protection		IP20	
Pollution degree		2	
Protective treatment		TC	
Fire resistance	°C (°F)	960 (1760) conforming to UL 94 850 (1562) conforming to IEC 60695-2-1 650 (1202) conforming to IEC 60695-2-12	
Vibration resistance	mm	1.5 peak to peak (3...13 Hz) conforming to IEC 60068-2-6 1 gn (13... 200 Hz) conforming to IEC 60068-2-6	
Authorised mounting modes		Horizontal and vertical, on 35 mm symmetrical DIN rail	
Shock resistance		15 gn (duration = 11 ms) conforming to IEC 60068-2-27	
Electromagnetic compatibility		<ul style="list-style-type: none"> • Electrostatic discharge at 8 kV air, 6 kV contact conforming to EN/IEC 61000-4-2 level 3 • Radiated RF fields at 10 V/m conforming to EN/IEC 61000-4-3 level 3 • Fast transient immunity test at 4 kV conforming to EN/IEC 61000-4-4 level 4 • Surges, differential mode at 2 kV conforming to EN/IEC 61000-4-5 level 3 • Surges, common mode at 4 kV conforming to EN/IEC 61000-4-5 level 4 	
Electrical characteristics			
Rated supply voltage [Us]	Vdc	24	
Supply voltage limits	Vdc	20.4...28.8	
Rated current (maximum)	A	3	
External fuse rating	A	3 - Fast - Reverse polarity	
Power dissipation	W	7	
Power connection			
Removable spring terminal block	1 rigid cable	mm ² /AWG	2.5 / 14
	1 flexible cable	mm ² /AWG	2.5 / 14
	1 flexible cable with cable end	mm ² /AWG	2.5 / 14

TeSys Active

island Digital Multifunctional Load Management Solution - Bus Couplers

Characteristics

Bus Coupler Product Reference		TPRBCPFN
Standards - Certification		
Standards		EN/IEC 61010-02-201, EN/IEC 60947-4-1, UL 61010-02-201, CSA C22.2 No 61010-02-201
Product certification		UL, CSA, EAC, PNO, DNV (EU RO MR Type Approved)
Cybersecurity		Achilles certified - level 2
Functional characteristics		
Functionalities		Provides communication between a TeSys island and a PLC. Communication management with up to 20 Starters/modules
Software compatibility		Compatible with SoMove , a setup software for PC designed to configure Schneider Electric motor control devices
1 TER port: for engineering		RJ45 connector for engineering PC - Ethernet TCP/IP
2 ETH ports: for fieldbus		RJ45 connector - PROFINET
Exchange mode		Half duplex, full duplex, autonegotiation Ethernet
Communication services		PROFINET IO Conformance Class A (CC-A), PROFINET IO Net Load Class 1, DHCP client, SNMP client, auto MDI/MDX function
External storage / configuration; parameters; Log files		Micro SD memory card (not provided), Micro SD port is provided on TPRBCPFN
Local signaling		<ul style="list-style-type: none"> • Island Power on, 1 green/yellow LED • Module status (SF), 1 green/red LED • Network / fieldbus status (BF), 1 green/red LED • TeSys island internal bus status, 1 green/red LED • Micro SD card status, 1 green/red LED
Environment		
Ambient air temperature for storage	°C (°F)	-25...70 (-13...158)
Ambient air temperature for operation	°C (°F)	-10...60 (14...140)
Ambient air humidity for operation	%	5...95
Operating altitude	m (ft)	0...2000 (0...6562) without derating
IP degree of protection		IP20
Pollution degree		2
Protective treatment		TC
Fire resistance	°C (°F)	960 (1760) conforming to UL 94 850 (1562) conforming to IEC 60695-2-1 650 (1202) conforming to IEC 60695-2-12
Vibration resistance	mm	1.5 peak to peak (3...13 Hz) conforming to IEC 60068-2-6 1 gn (13... 200 Hz) conforming to IEC 60068-2-6
Authorised mounting modes		Horizontal and vertical, on 35 mm symmetrical DIN rail
Shock resistance		15 gn (duration = 11 ms) conforming to IEC 60068-2-27
Electromagnetic compatibility		<ul style="list-style-type: none"> • Electrostatic discharge at 8 kV air, 6 kV contact conforming to EN/IEC 61000-4-2 level 3 • Radiated RF fields at 10 V/m conforming to EN/IEC 61000-4-3 level 3 • Fast transient immunity test at 4 kV conforming to EN/IEC 61000-4-4 level 3 • Surges, differential mode at 2 kV conforming to EN/IEC 61000-4-5 level 3 • Surges, common mode at 4 kV conforming to EN/IEC 61000-4-5 level 4
Electrical characteristics		
Rated supply voltage [Us]	Vdc	24
Supply voltage limits	Vdc	20.4...28.8
Rated current (maximum)	A	3
External fuse rating	A	3 - Fast - Reverse polarity
Power dissipation	W	7

Control and
monitoring
island

TeSys Active

island Digital Multifunctional Load Management Solution - Bus Couplers

Characteristics

Control and monitoring island

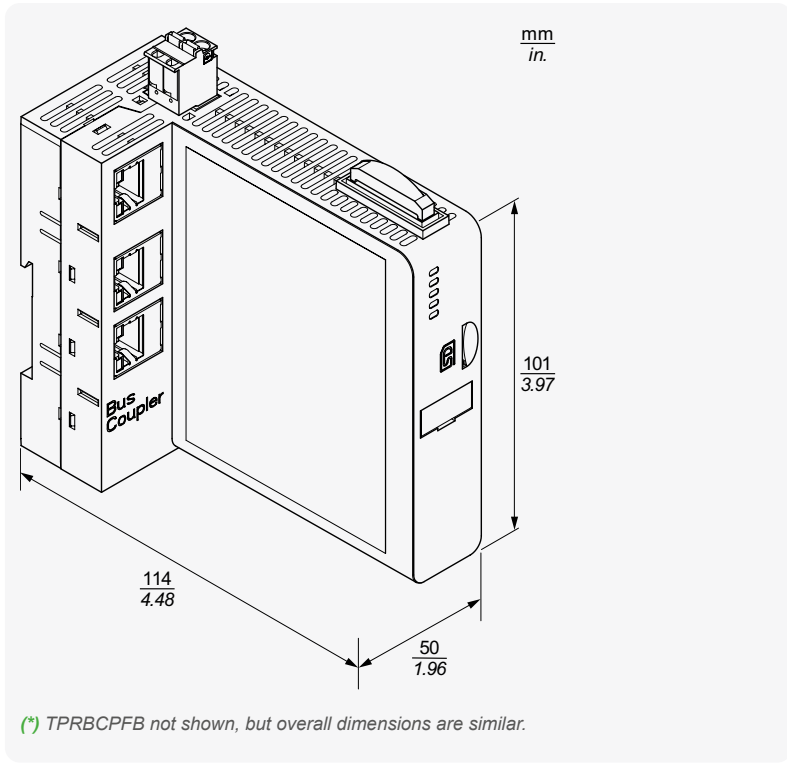
Bus Coupler Product Reference		TPRBCPFB
Standards - Certification		
Standards		EN/IEC 61010-02-201, EN/IEC 60947-4-1, UL 61010-02-201, CSA C22.2 No 61010-02-201
Product certification		UL, CSA, EAC, PNO
Cybersecurity		Achilles certified - level 2
Functional characteristics		
Functionalities		Provides communication between a TeSys island and a PLC. Communication management with up to 20 Starters/modules
Software compatibility		Compatible with SoMove , a setup software for PC designed to configure Schneider Electric motor control devices
1 TER port: for engineering		RJ45 connector for engineering PC - Ethernet TCP/IP
1 DB9 port: for fieldbus		DB9 connector - PROFIBUS
Exchange mode		PROFIBUS
Communication services		<ul style="list-style-type: none"> • On TER port: DHCP client, SNTP client • On DB9 port: Type 3 DP PROFIBUS slave, supporting DP-V0 and DP-V1
External storage / configuration; parameters; Log files		Micro SD memory card (not provided), Micro SD port is provided on TPRBCPFB
Local signaling		<ul style="list-style-type: none"> • Island Power on, 1 green/yellow LED • Module status, 1 green/red LED • Network / fieldbus status, 1 green/red LED • TeSys island internal bus status, 1 green/red LED • Micro SD card status, 1 green/red LED
Environment		
Ambient air temperature for storage	°C (°F)	-25...70 (-13...158)
Ambient air temperature for operation	°C (°F)	-10...60 (14...140)
Ambient air humidity for operation	%	5...95
Operating altitude	m (ft)	0...2000 (0...6562) without derating
IP degree of protection		IP20
Pollution degree		2
Protective treatment		TC
Fire resistance	°C (°F)	960 (1760) conforming to UL 94 850 (1562) conforming to IEC 60695-2-1 650 (1202) conforming to IEC 60695-2-12
Vibration resistance	mm	1.5 peak to peak (3...13 Hz) conforming to IEC 60068-2-6 1 gn (13... 200 Hz) conforming to IEC 60068-2-6
Authorised mounting modes		Horizontal and vertical, on 35 mm symmetrical DIN rail
Shock resistance		15 gn (duration = 11 ms) conforming to IEC 60068-2-27
Electromagnetic compatibility		<ul style="list-style-type: none"> • Electrostatic discharge at 8 kV air, 6 kV contact conforming to EN/IEC 61000-4-2 level 3 • Radiated RF fields at 10 V/m conforming to EN/IEC 61000-4-3 level 3 • Fast transient immunity test at 4 kV conforming to EN/IEC 61000-4-4 level 4 • Surges, differential mode at 2 kV conforming to EN/IEC 61000-4-5 level 3 • Surges, common mode at 4 kV conforming to EN/IEC 61000-4-5 level 4
Electrical characteristics		
Rated supply voltage [Us]	Vdc	24
Supply voltage limits	Vdc	20.4...28.8
Rated current (maximum)	A	3
External fuse rating	A	3 - Fast - Reverse polarity
Power dissipation	W	7

TeSys Active

island Digital Multifunctional Load Management Solution - Bus Couplers

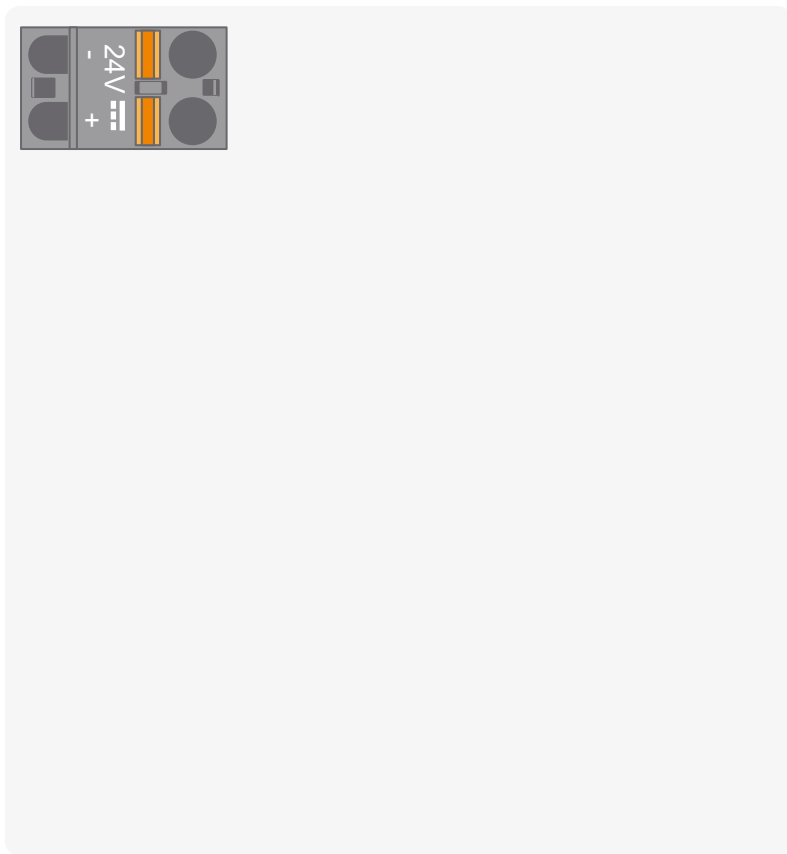
Dimensions

Bus Coupler: TPRBCEIP, TPRBCPFN, TPRBCPFB*



Control and monitoring island

Bus Coupler Spring Terminal Connector



TeSys Active

island Digital Multifunctional Load Management Solution - Power Interface Modules

Product references

Power Interface Modules (PIMs) for electrical and thermal protection, digital asset management capabilities

Control and monitoring island



TPRPM009

TPRPM038

TPRPM080

A PIM can be associated with an analog I/O device to measure temperature through an external sensor. A PIM can also monitor the current supplied to an external device.

Main functions

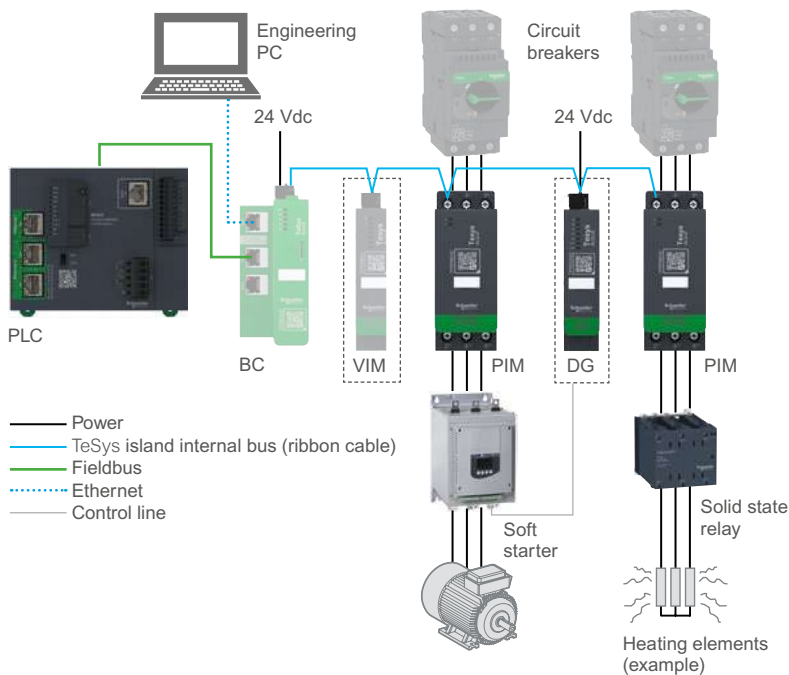
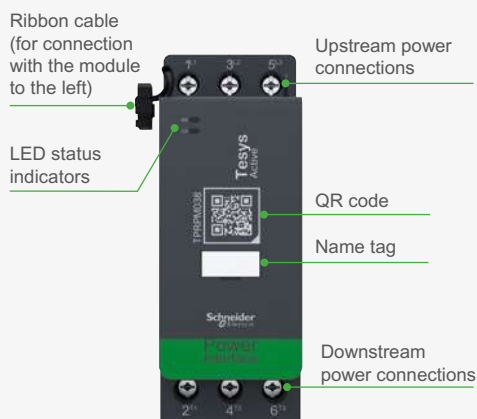
- Measure downstream electrical data related to the load
- Provide energy monitoring data when a voltage interface module (VIM) is installed on the island.

The PIMs are connected

- Upstream to a circuit breaker
- Downstream to an external power device like a contactor, soft starter, or solid-state relay.

The PIM communicates with the bus coupler, sending operational data and receiving commands. In this example, a Digital I/O module (DG) is used to control the soft starter.

Power Interface Module Features



3-Pole PIM Power Interface Modules

Rated operational current in AC-3/AC-3e (θ ≤ 60°C) 440 V up to	UL General Purpose (Continuous Current)	Product Reference	Weight
Amp Rating			
A	A		kg
9	15	TPRPM009	0.255
38	45	TPRPM038	0.255
80	50	TPRPM080	0.425

Characteristics

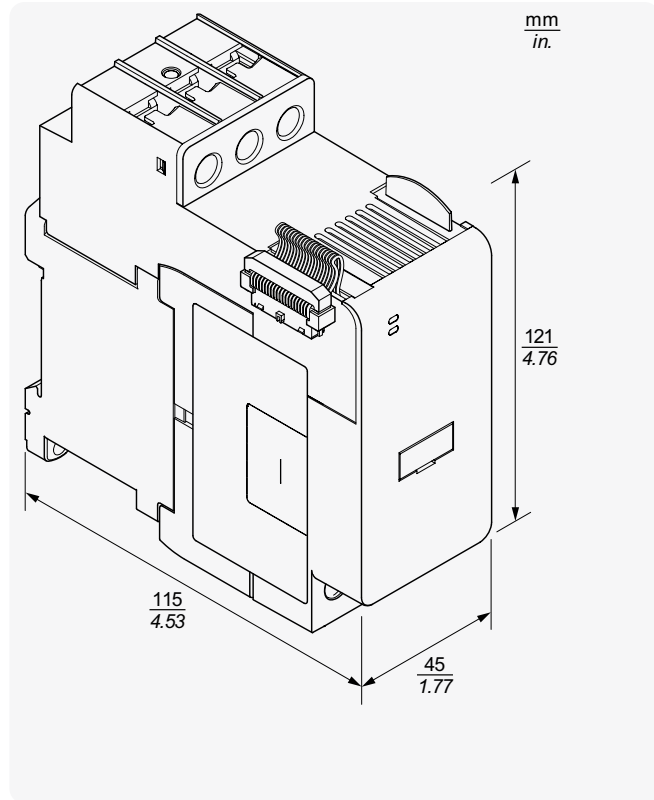
Power Interface Module Product References		TPRPM009	TPRPM038	TPRPM080	
Standards - Certification					
Standards		IEC 60947-1, EN 60947-1, UL 60947-4-1, CSA C22.2 No 60947-4-1			
Product certification		UL, CSA, CCC, EAC, DNV (EU RO MR Type Approved)			
Functional characteristics					
Functionalities		Upstream voltage presence detection, electronic thermal overload protection, current monitoring, control of third party power devices when associated with a TPRDG I/O			
Thermal motor protection adjustment range	A	0.18...9	0.76...38	4...80	
Protection reset modes		Remote or automatic			
Metering		<ul style="list-style-type: none"> • Time device is on • Number of events detected • Number of switching cycles • Number of device power cycles • Average current Iavg • Max current I_{max} • Active and reactive power with voltage module • Active and reactive energy with voltage module • True power factor with voltage module 			
Local signaling		<ul style="list-style-type: none"> • Device status, 1 green/red LED • Load status, 1 green/red LED 			
Motor protection					
Thermal protection adjustment range	A	0.18...9	0.76...38	4...80	
Thermal overload trip class		5...30			
Reset modes		Remote or automatic			
Environment					
Ambient air temperature for storage	°C (°F)	-25...70 (-13...158)			
Ambient air temperature for operation	°C (°F)	-10...50 (14-122). Up to 60 (140) with derating			
Ambient air humidity for operation	%	5...95			
Operating altitude	m (ft)	0...2000 (0...6562) without derating			
IP degree of protection		IP20			
Pollution degree		2			
Protective treatment		TC			
Fire resistance	°C (°F)	960 (1760) conforming to UL 94 850 (1562) conforming to IEC 60695-2-1 650 (1202) conforming to IEC 60695-2-12			
Vibration resistance	mm	1.5 peak to peak (3...13 Hz) conforming to IEC 60068-2-6 1 gn (13...200 Hz) conforming to IEC 60068-2-6			
Authorised mounting modes		Horizontal and vertical, on 35 mm symmetrical DIN rail			
Shock resistance		15 gn (duration = 11 ms) conforming to IEC 60068-2-27			
Electromagnetic compatibility		<ul style="list-style-type: none"> • Electrostatic discharge at 8 kV air, 6 kV contact conforming to EN/IEC 61000-4-2 level 3 • Radiated RF fields at 10 V/m conforming to EN/IEC 61000-4-3 level 3 • Fast transient immunity test at 4 kV conforming to EN/IEC 61000-4-4 level 4 • Surges, differential mode at 2 kV conforming to EN/IEC 61000-4-5 level 3 • Surges, common mode at 4 kV conforming to EN/IEC 61000-4-5 level 4 • Conducted RF disturbances at 20 V conforming to EN/IEC 61000-4-6 			
Power pole characteristics					
Rated operational voltage [U _e] 47...63 Hz	V	≤ 690			
Rated insulation voltage [U _i]	V	600 - CSA certification 600 - UL certification 690 - conforming to IEC 60947-4-1			
Rated impulse withstand voltage [U _{imp}]	kV	6 conforming to IEC 60947			
Overvoltage category		III			
Rated operational current [I _e] (≤ 50 °C) at ≤ 440 V AC-3/AC-3e	A	9	38	80	
(≤ 50 °C) at ≤ 440 V AC-1	A	15	40	80	
Free air thermal current [I _{th}] ≤ 50 °C	A	15	40	80	
Control circuit					
Operating voltage supplied by bus coupler [U _c] DC	V	24			
Current consumption on control circuit	mA	60			
Power connection					
Screw-clamp terminal capacity	1 rigid cable	mm ² /AWG	1-4 / AWG 16... AWG 12	1.5-4 / AWG 16... AWG 12	1-35 / AWG 16... AWG 2 (Everlink terminal)
	2 rigid cables	mm ² /AWG	1-4 / AWG 16... AWG 12	1.5-4 / AWG 16... AWG 12	1-25 / AWG 16... AWG 4 (Everlink terminal)
	1 flexible cable	mm ² /AWG	1.5-4 / AWG 16... AWG 12	2.5-10 / AWG 14... AWG 8	1-35 / AWG 16... AWG 2 (Everlink terminal)
	2 flexible cables	mm ² /AWG	1.5-4 / AWG 16... AWG 12	2.5-10 / AWG 14... AWG 8	1-25 / AWG 16... AWG 4 (Everlink terminal)
	1 flexible cable with cable end	mm ² /AWG	1-4 / AWG 16... AWG 12	1.5-10 / AWG 16... AWG 8	1-35 / AWG 16... AWG 2 (Everlink terminal)
	2 flexible cables with cable end	mm ² /AWG	1-2.5 / AWG 16... AWG 14	1.5-6 / AWG 16... AWG 10	1-25 / AWG 16... AWG 4 (Everlink terminal)
Tightening torque	With flat Ø 6 mm screwdriver	N.m/lb-in	1.7 / 15	2.5 / 22	5 / 44 (1-25 mm ² / AWG 16-4 cable- hexa 4 mm)
	With Philips screwdriver	N.m/lb-in	1.7 / 15 (Philips n°2)	2.5 / 22 (Philips n°3)	8 / 70 (25-35 mm ² / AWG 2 cable -hexa 4 mm)

TeSys Active

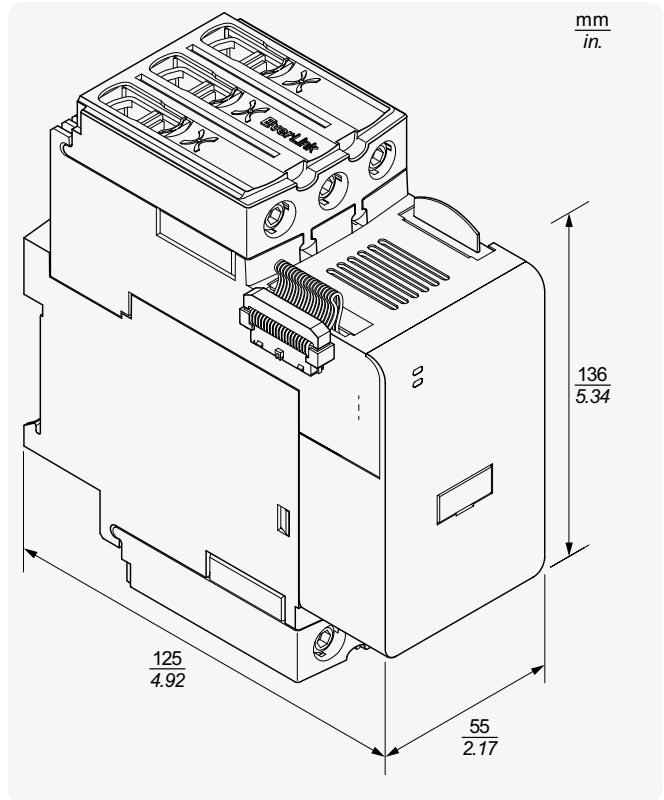
island Digital Multifunctional Load Management Solution - Power Interface Modules

Dimensions

Size 1 (TPRPM009) and Size 2 (TPRPM038)
Power Interface Modules



Size 3 (TPRPM080)
Power Interface Module



Wiring Diagrams



TeSys Active

island Digital Multifunctional Load Management Solution - Standard Starters

Product references

Standard Starters (ST), for load control



Standard starters provide load control, electrical and thermal protection functions, and digital asset management capabilities.

Main functions

- Provide three/single phase On/Off power control for loads
- Advanced protection & alarming
- Electrical data measurement related to the load
- Energy monitoring when a voltage interface module (VIM) is installed on the island
- Functional testing and simulation
- Event logging and counters.

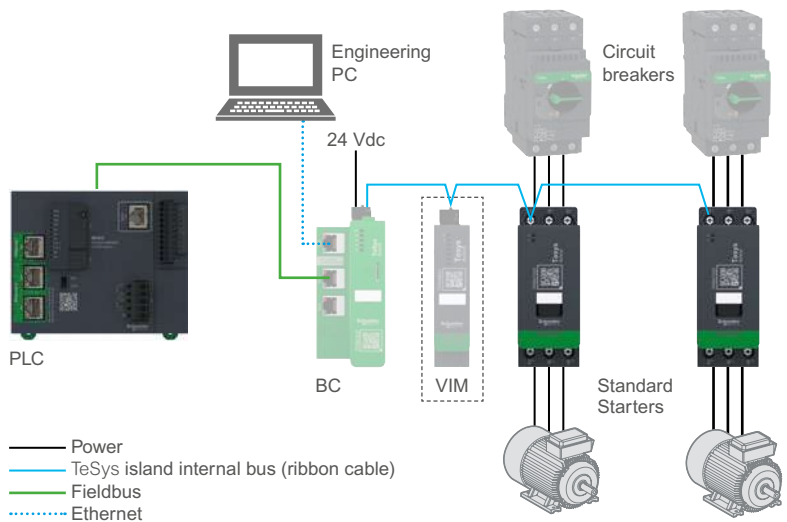
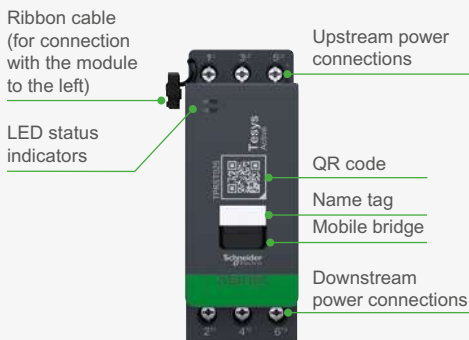
The standard starters are connected

- Upstream to a circuit breaker
- Downstream to the load to control.

The starter communicates with the bus coupler, sending operational data and receiving commands.

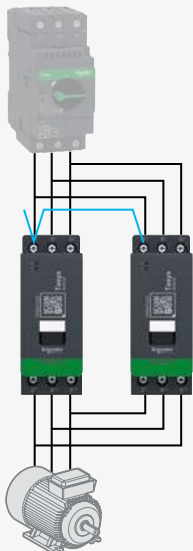
Control and monitoring island

Standard Starter Features



Reversing Motor Starter

Obtained by combining 2 standard starters and a cabling kit (See page C2/37)



3-Pole Standard Starters

Standard power ratings of 3-phase motors
50-60 Hz in category AC-3/AC-3e
($\theta \leq 60^\circ\text{C}$)

IEC							UL							UL General Purpose (Continuous Current Amp Rating)	Rated operational current in AC-3/AC-3e 440 V up to	Product Ref.	Weight
220V	380V	415V	440V	500V	660V	1000V	120V	240V	208V	240V	460V	600V					
230V	400V				690V		1ph	1ph	3ph	3ph	480V	3ph					
kW	kW	kW	kW	kW	kW	kW	hp	hp	hp	hp	hp	hp	A	A		kg	
2.2	4	4	4	5.5	5.5	-	.33	1	2	2	5	7.5	15	9	TPRST009	0.656	
5.5	11	11	11	15	15	-	2	3	7.5	7.5	15	20	30	25	TPRST025	0.718	
9	18.5	18.5	18.5	18.5	18.5	-	2	5	10	10	20	25	40	38	TPRST038	0.718	
18.5	30	37	37	37	37	-	5	10	20	20	40	50	80	65	TPRST065	1.248	
18.5	37	37	37	37	37	-	5	10	20	20	40	50	80	66	TPRST080	1.248	

TeSys Active

island Digital Multifunctional Load Management Solution - Standard Starters

Characteristics

Control and monitoring island

Standard Starter Product References		TPRST009	TPRST025	TPRST038	TPRST065	TPRST080
Standards - Certification						
Standards		EN/IEC 60947-1, EN/IEC 60947-4-1, UL 60947-4-1, CSA C22.2 No 60947-4-1				
Product certification		UL, CSA, CCC, EAC, DNV (EU RO MR Type Approved)				
Functional characteristics						
Functionalities		<ul style="list-style-type: none"> Upstream voltage presence detection Current monitoring Electronic thermal overload protection 				
Protection reset modes		Remote or automatic				
Metering		<ul style="list-style-type: none"> Time device is on Number of events detected Number of switching cycles Number of device power cycles Average current Iavg Max current Imax Active and reactive power with voltage module Active and reactive energy with voltage module True power factor with voltage module 				
Local signaling		<ul style="list-style-type: none"> Device status, 1 green/red LED Load status, 1 green/red LED 				
Motor protection						
Protection type		<ul style="list-style-type: none"> Thermal overload protection Motor overheat Overcurrent Undercurrent Jam Long start Stall Rapid cycle lockout Rapid restart lockout Phase configuration Phase loss Phase reversal Phase unbalance Ground current 				
Thermal protection adjustment range	A	0.18...9	0.5...25	0.76...38	3.35...65	4...80
Thermal overload trip class		5...30				
Reset modes		Remote or automatic				
Environment						
Ambient air temperature for storage	°C (°F)	-25...70 (-13...158)				
Ambient air temperature for operation	°C (°F)	-10...50 (14-122). Up to 60 (140) with derating				
Ambient air humidity for operation	%	5...95				
Operating altitude	m (ft)	0...2000 (0...6562) without derating				
IP degree of protection		IP20				
Pollution degree		2				
Protective treatment		TC				
Fire resistance	°C (°F)	960 (1760) conforming to UL 94 850 (1562) conforming to IEC 60695-2-1 650 (1202) conforming to IEC 60695-2-12				
Vibration resistance	mm	1.5 peak to peak (3...13 Hz) conforming to IEC 60068-2-6 1 gn (13...200 Hz) conforming to IEC 60068-2-6				
Authorised mounting modes		Horizontal and vertical, on 35 mm symmetrical DIN rail				
Shock resistance		15 gn (duration = 11 ms) conforming to IEC 60068-2-27				
Electromagnetic compatibility		<ul style="list-style-type: none"> Electrostatic discharge at 8 kV air, 6 kV contact conforming to EN/IEC 61000-4-2 level 3 Radiated RF fields at 10 V/m conforming to EN/IEC 61000-4-3 level 3 Fast transient immunity test at 4 kV conforming to EN/IEC 61000-4-4 level 4 Surges, differential mode at 2 kV conforming to EN/IEC 61000-4-5 level 3 Surges, common mode at 4 kV conforming to EN/IEC 61000-4-5 level 4 Conducted RF disturbances at 20 V conforming to EN/IEC 61000-4-6 				

Standard Starters Product References (cont.)			TPRST009	TPRST025	TPRST038	TPRST065	TPRST080
Power pole characteristics							
Rated Operational Voltage	47...63 Hz	V	≤ 690	≤ 480 for OVC III, ≤ 690 for OVC II		≤ 690	≤ 690
Rated insulation voltage [U _i]		V	600 - CSA certification				
		V	600 - UL certification				
		V	690 - conforming to IEC 60947-4-1				
Nominal voltage of the supply system per Table H.1 of IEC 60947-1		V	600, 400/690 or lower	277, 277/480, 240/415 or lower ⁽¹⁾		600, 400/690 or lower	
Rated impulse withstand voltage [U _{imp}]		kV	6 conforming to IEC 60947				
Overvoltage category			III	III for U _e ≤ 480V, II for U _e ≤ 690 V		III	III
Rated operational current [I _e]	(≤ 50 °C) at ≤ 440 V AC-3/AC-3e	A	9	25	38	65	66
	(≤ 50 °C) at ≤ 440 V AC-1	A	15	30	40	80	80
Free air thermal current [I _{th}]	≤ 50 °C	A	15	30	40	80	80
Rated making/breaking capacity at 440 V conforming to IEC 60947 [I _{rms}]		A	250	450	550	1000	1000
Rated short-time withstand current (≤ 40 °C) [I _{cw}]	1 s	A	210	380	430	900	900
	10 s	A	105	240	310	520	520
	1 min	A	61	120	150	260	260
	10 min	A	30	50	60	220	110
Power dissipation per pole	AC-3/AC-3e - at I _{th}	W	0.2	1.25	2.9	6.3	6.5
	AC-1 - at I _{th}	W	0.56	1.8	3.2	9.6	9.6
Average impedance at 50 Hz - at I _{th}		mΩ	2.5	2	2	1.5	1.5
Mechanical durability		Mcycles	30			6	6
Electrical durability	AC-3/AC-3e - at I _{th} , U _e 440 V	Mcycles	2	1.65	1.4	1.4	0.75
	AC-1 - at I _{th} , U _e 440 V	Mcycles	1.2	2	2	0.5	0.5
Operating time	Closing	ms	< 100			< 80	
	Opening	ms	< 30			< 80	
Maximum operating rate	AC-3/AC-3e		3600 cycles/hour				
Control circuit							
Operating voltage supplied by bus coupler [U _c]	DC	V	24				
Current consumption	Sealed	mA	160			80	80
	Closing	mA	160			500	500
Power max dissipation at I _e AC-3/AC-3e		W	3.5	6.6	11.8	20.8	21.4
Power connection							
Screw-clamp terminal capacity	1 rigid cable	mm ² /AWG	1-4 / AWG 16... AWG 12	1.5 - 10 / AWG 16... AWG 8		1-35 / AWG 16... AWG 2 (Everlink terminal)	
	2 rigid cables	mm ² /AWG	1-4 / AWG 16... AWG 12	2.5 - 10 / AWG 14... AWG 8		1-25 / AWG 16... AWG 4 (Everlink terminal)	
	1 flexible cable	mm ² /AWG	1.5-4 / AWG 16... AWG 12	2.5 - 10 / AWG 14... AWG 8		1-35 / AWG 16... AWG 2 (Everlink terminal)	
	2 flexible cables	mm ² /AWG	1.5-4 / AWG 16... AWG 12	2.5 - 10 / AWG 14... AWG 8		1-25 / AWG 16... AWG 4 (Everlink terminal)	
	1 flexible cable with cable end	mm ² /AWG	1-4 / AWG 16... AWG 12	1-6 / AWG 16... AWG 10		1-35 / AWG 16... AWG 2 (Everlink terminal)	
	2 flexible cables with cable end	mm ² /AWG	1-2.5 / AWG 16... AWG 14	1.5-6 / AWG 16... AWG 10		1-25 / AWG 16... AWG 4 (Everlink terminal)	
Tightening torque	With flat Ø 6 mm screwdriver	N.m/lb-in	1.7 / 15	2.5 / 22		5 / 44 (1-25 mm ² / AWG 16-4 cable-hexa 4 mm)	
	With Philips screwdriver	N.m/lb-in	1.7 / 15 (Philips n°2)	2.5 / 22 (Philips n°3)		8 / 70 (35 mm ² / AWG 2 cable-hexa 4 mm)	

⁽¹⁾ Maximum 300 V rated operational voltage to earth (ground) per table H.1 of IEC 60947-1 (including 400/230 and 480/277 power systems) for TPRST025, TPRST038 unless used with appropriate Surge Protective Device limiting the system to OVC II. For 500 V/600 V/690 V applications and rated motor current above 3.35 A, TPRST065 device can be used.

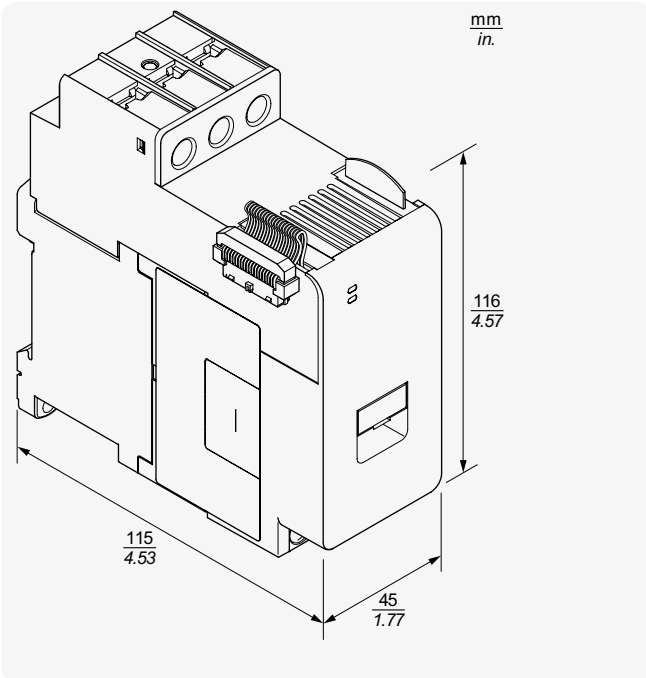
TeSys Active

island Digital Multifunctional Load Management Solution - Standard Starters

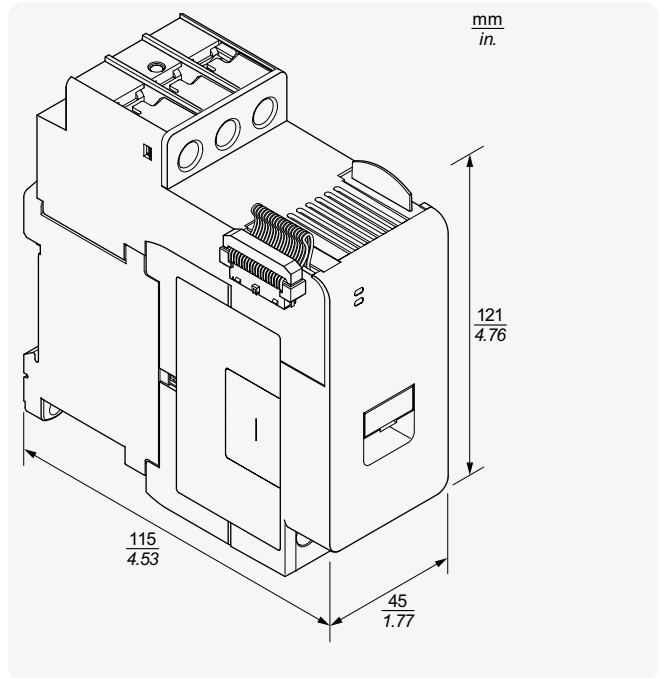
Dimensions

Size 1 Starters:
TPRST009 and TPRSS009

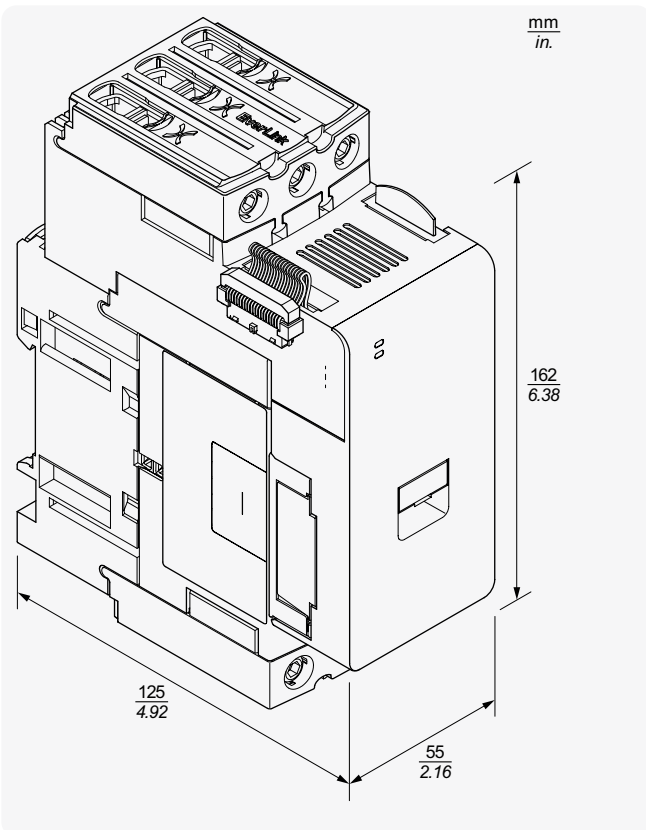
Control and monitoring island



Size 2 Starters:
TPRST025, TPRST038, TPRSS025 and TPRSS038



Size 3 Starters:
TPRST065, TPRST080, TPRSS065 and TPRSS080



Wiring Diagrams



TeSys Active

island Digital Multifunctional Load Management Solution - SIL Starters

Product references

SIL Starter (SS)



SIL starters provide similar functions as standard starters but are associated with a SIL interface module (SIM).

Main functions

- Provide Stop Category 0 and Stop Category 1 according to EN/IEC 60204-1
- Provide three-phase/single-phase On/Off power control for loads
- Advanced protection & alarming
- Electrical data measurement related to the load
- Energy monitoring when a voltage interface module (VIM) is installed on the island
- Functional testing and simulation
- Event logging and counters.

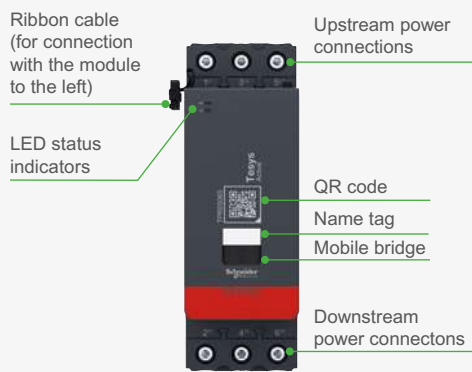
Multiple SIL starters might be needed for a single TeSys™ avatar function. Avatars using SIL starters always include a SIL interface module.

The SIL starters are connected

- Upstream to a circuit breaker
- Downstream to the load to control
- To SIM module of the same group via the TeSys island internal bus (ribbon cable).

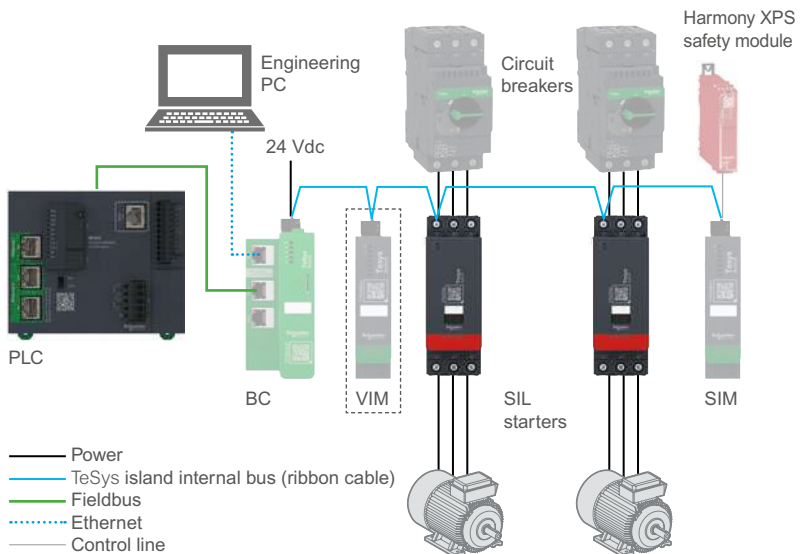
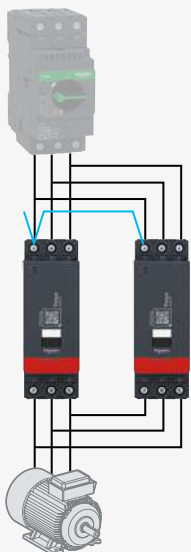
The SIL starter communicates with the bus coupler, sending operational data and receiving commands.

SIL Starter Features



Reversing SIL Motor Starter

is obtained by combining 2 SIL starters and a cabling kit (See page C2/37)



3-Pole SIL Starters

Standard power ratings of 3-phase motors
50-60 Hz in category AC-3/AC-3e
($\theta \leq 60^\circ\text{C}$)

IEC		UL						UL General Purpose (Continuous Current Amp Rating)	Rated operational current in AC-3/AC-3e 440 V up to	Product Ref.	Weight					
220V	380V	415V	440V	500V	660V	1000V	120V 1ph					240V 1ph	208V 3ph	240V 3ph	460V 480V 3ph	
kW	kW	kW	kW	kW	kW	kW	hp	hp	hp	hp	hp	A	A		kg	
2.2	4	4	4	5.5	5.5	-	.33	1	2	2	5	7.5	15	9	TPRSS009	0.656
5.5	11	11	11	15	15	-	2	3	7.5	7.5	15	20	30	25	TPRSS025	0.718
9	18.5	18.5	18.5	18.5	18.5	-	2	5	10	10	20	25	40	38	TPRSS038	0.718
18.5	30	37	37	37	37	-	5	10	20	20	40	50	80	65	TPRSS065	1.248
18.5	37	37	37	37	37	-	5	10	20	20	40	50	80	66	TPRSS080	1.248

Control and monitoring island

TeSys Active

island Digital Multifunctional Load Management Solution - SIL Starters

Characteristics

Control and monitoring island

SIL Starter Product References		TPRSS009	TPRSS025	TPRSS038	TPRSS065	TPRSS080
Standards - Certification						
Standards		EN/IEC 60947-1, EN/IEC 60947-4, UL 60947-4-1, CSA C22.2 No 60947-4-1				
Product certification		UL, CSA, CCC, EAC, DNV (EU RO MR Type Approved)				
Functional characteristics						
Functionalities		<ul style="list-style-type: none"> Upstream voltage presence detection Current monitoring Electronic thermal overload protection 				
Functional safety ⁽¹⁾		Stop Category 0 and Stop Category 1 conforming to EN/IEC 60204-1 when associated with a TPRSM module				
Safety integrity level ⁽²⁾		<ul style="list-style-type: none"> SIL 2 conforming to IEC 61508 in single channel system architecture SILCL 2 conforming to IEC 62061 in single channel system architecture PL = d category 2 conforming to ISO 13849-1 in single channel system architecture 				
Metering		<ul style="list-style-type: none"> Time device is on Number of events detected Number of switching cycles Number of device power cycles Average current Iavg Max current Imax Active and reactive power with voltage module Active and reactive energy with voltage module True power factor with voltage module 				
Local signaling		<ul style="list-style-type: none"> Device status, 1 green/red LED Load status, 1 green/red LED 				
Motor protection						
Protection type		<ul style="list-style-type: none"> Thermal overload protection Motor overheat Overcurrent Undercurrent Jam Long start Stall Rapid cycle lockout Rapid restart lockout Phase configuration Phase loss Phase reversal Phase unbalance Ground current 				
Thermal protection adjustment range	A	0.18...9	0.5...25	0.76...38	3.35...65	4...80
Thermal overload class		5...30				
Reset modes		Remote or automatic				
Environment						
Ambient air temperature for storage	°C (°F)	-25...70 (-13...158)				
Ambient air temperature for operation	°C (°F)	-10...60 (14...140)				
Ambient air humidity for operation	%	5...95				
Operating altitude	m (ft)	0...2000 (0...6562) without derating				
IP degree of protection		IP20				
Pollution degree		2				
Protective treatment		TC				
Fire resistance	°C (°F)	960 (1760) conforming to UL 94 850 (1562) conforming to IEC 60695-2-1 650 (1202) conforming to IEC 60695-2-12				
Vibration resistance	mm	1.5 peak to peak (3...13 Hz) conforming to IEC 60068-2-6 1 gn (13...200 Hz) conforming to IEC 60068-2-6				
Authorised mounting modes		Horizontal and vertical, on 35 mm symmetrical DIN rail				
Shock resistance		15 gn (duration = 11 ms) conforming to IEC 60068-2-27				
Electromagnetic compatibility		<ul style="list-style-type: none"> Electrostatic discharge at 8 kV air, 6 kV contact conforming to EN/IEC 61000-4-2 level 3 Radiated RF fields at 10 V/m conforming to EN/IEC 61000-4-3 level 3 Fast transient immunity test at 4 kV conforming to EN/IEC 61000-4-4 level 4 Surges, differential mode at 2 kV conforming to EN/IEC 61000-4-5 level 3 Surges, common mode at 4 kV conforming to EN/IEC 61000-4-5 level 4 Conducted RF disturbances at 20 V conforming to EN/IEC 61000-4-6 				

(1) Functional safety as defined in IEC 61508.

(2) Safety Integrity Level according to standard IEC 61508.

SIL Starter Product References (cont.)			TPRSS009	TPRSS025	TPRSS038	TPRSS065	TPRSS080
Power pole characteristics							
Rated Operational Voltage [Ue]	47...63 Hz	V	≤ 690	≤ 480 for OVC III, ≤ 690 for OVC II		≤ 690	≤ 690
Rated insulation voltage [Ui]		V	600 - CSA certification 600 - UL certification 690 - conforming to IEC 60947-1				
Nominal voltage of the supply system per Table H.1 of IEC 60947-1		V	600, 400/690 or lower	277, 277/480, 240/415 or lower ⁽¹⁾		600, 400/690 or lower	
Rated impulse withstand voltage [Uimp]		kV	6 conforming to IEC 60947				
Overvoltage category			III	III for Ue ≤ 480V, II for Ue ≤ 690 V		III	III
Rated operational current [Ie]	(≤ 50 °C) at ≤ 440 V AC-3/AC-3e	A	9	25	38	65	66
	(≤ 50 °C) at ≤ 440 V AC-1	A	15	30	40	80	80
Free air thermal current [Ith]	≤ 50 °C	A	15	30	40	80	80
Rated making capacity at 440 V conforming to IEC 60947 [Irms]		A	250	450	550	1000	1000
Rated breaking capacity at 440 V conforming to IEC 60947		A	250	450	550	1000	1000
Rated short-time withstand current (≤ 40 °C) [Icw]	1 s	A	210	380	430	900	900
	10 s	A	105	240	310	520	520
	1 min	A	61	120	150	260	260
	10 min	A	30	50	60	220	110
Power dissipation per pole	AC-3/AC-3e - at Ith	W	0.2	1.25	2.9	6.3	6.5
	AC-1 - at Ith	W	0.56	1.8	3.2	9.6	9.6
Average impedance	at 50 Hz - at Ith	mΩ	2.5	2	2	1.5	1.5
Mechanical durability		Mcycles	30			6	6
Electrical durability	AC-3/AC-3e - at Ith, Ue 440 V	Mcycles	2	1.65	1.4	1.4	0.75
	AC-1 - at Ith, Ue 440 V	Mcycles	1.2	2	2	0.5	0.5
Operating time	Closing	ms	65...88			55 ... 65	55 ... 65
	Opening	ms	20...30			20 ... 80	20 ... 80
Maximum operating rate	AC-3/AC-3e		3600 cycles/hour				
Control circuit							
[Uc] operating voltage supplied by bus coupler	DC	V	24				
Current consumption	Sealed	mA	160			80	80
	Closing	mA	160			500	500
Power max dissipation at Ie AC-3/AC-3e		W	3.5	6.6	11.8	20.8	21.4
Power connection							
Screw-clamp terminal capacity	1 rigid cable	mm ² /AWG	1-4 / AWG 16... AWG 12	1.5 - 10 / AWG 16... AWG 8		1-35 / AWG 16... AWG 2 (Everlink terminal)	
	2 rigid cables	mm ² /AWG	1-4 / AWG 16... AWG 12	2.5 - 10 / AWG 14... AWG 8		1-25 / AWG 16... AWG 4 (Everlink terminal)	
	1 flexible cable	mm ² /AWG	1.5 - 4 / AWG 16... AWG 12	2.5 - 10 / AWG 14... AWG 8		1-35 / AWG 16... AWG 2 (Everlink terminal)	
	2 flexible cables	mm ² /AWG	1.5 - 4 / AWG 16... AWG 12	2.5 - 10 / AWG 14... AWG 8		1-25 / AWG 16... AWG 4 (Everlink terminal)	
	1 flexible cable with cable end	mm ² /AWG	1-4 / AWG 16... AWG 12	1-6 / AWG 16... AWG 10		1-35 / AWG 16... AWG 2 (Everlink terminal)	
	2 flexible cables with cable end	mm ² /AWG	1-2.5 / AWG 16... AWG 14	1.5 - 6 / AWG 16... AWG 10		1-25 / AWG 16... AWG 4 (Everlink terminal)	
Tightening torque	With flat Ø 6 mm screwdriver	N.m/lb-in	1.7 / 15	2.5 / 22		5 / 44 (1-25 mm ² / AWG 16-4 cable- hexa 4 mm)	
	With Phillips screwdriver	N.m/lb-in	1.7 / 15 (Phillips n°2)	2.5 / 22 (Phillips n°3)		8 / 70 (35 mm ² / AWG 2 cable -hexa 4 mm)	

⁽¹⁾ Maximum 300 V rated operational voltage to earth (ground) per table H.1 of IEC 60947-1 (including 400/230 and 480/277 power systems) for TPRSS025, TPRSS038 unless used with appropriate Surge Protective Device limiting the system to OVC II.
For 500 V/600 V/690 V applications and rated motor current above 3.35 A, TPRSS065 device can be used.

Control and monitoring island

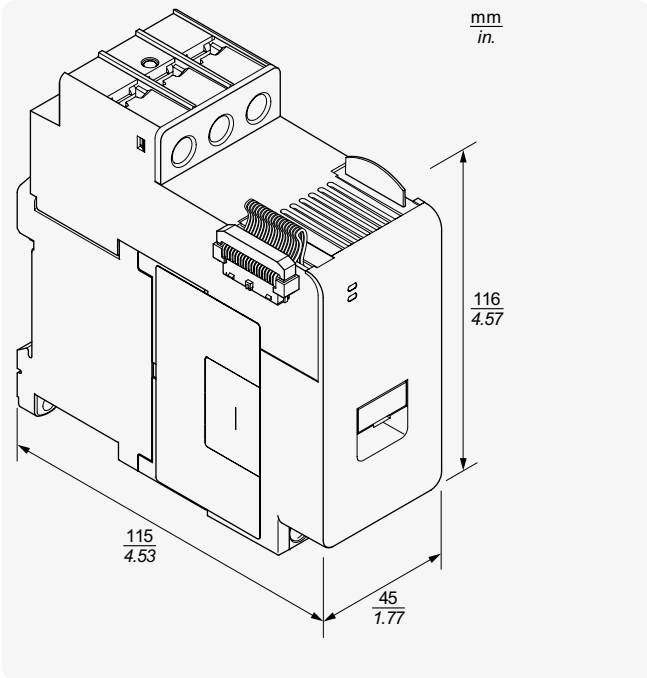
TeSys Active

island Digital Multifunctional Load Management Solution - SIL Starters

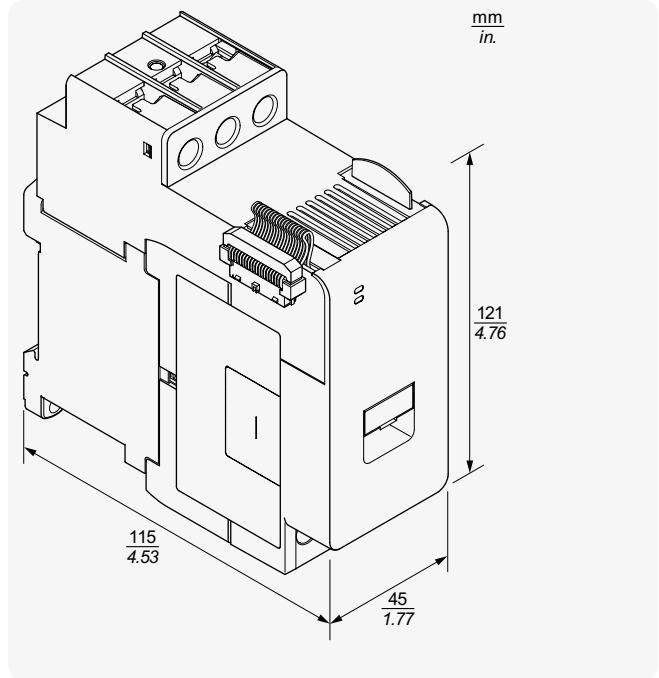
Dimensions

Size 1 Starters: TPRST009 and TPRSS009

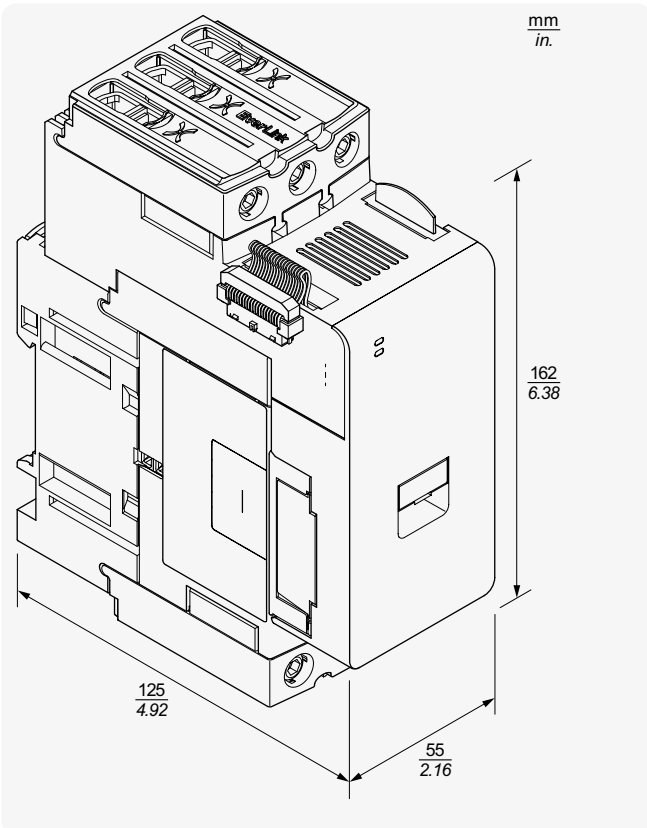
Control and monitoring island



Size 2 Starters: TPRST025, TPRST038, TPRSS025 and TPRSS038



Size 3 Starters: TPRST065, TPRST080, TPRSS065 and TPRSS080



Wiring Diagrams



TeSys Active

island Digital Multifunctional Load Management Solution - SIL Interface Module

Product references

SIL Interface Module, to provide interface with SIL Starters



TPRSM001

A SIL interface module (SIM), associated with one or several SIL starters, allows the design of Stop functions in compliance with EN/IEC 60204-1:

- Stop Category 0: immediate machine power disconnection
- Stop Category 1: electrical power maintained on the machine actuators until the stop process fully ends (absence of motion).

Main functions

- Interface with a Harmony XPS safety module
 - Command the stop function of its SIL group of SIL starters.
- Several SIL groups of SIL starters can be set up on the island. Each is delimited by one SIM on the far side of the SIL starters.

The SIM is connected

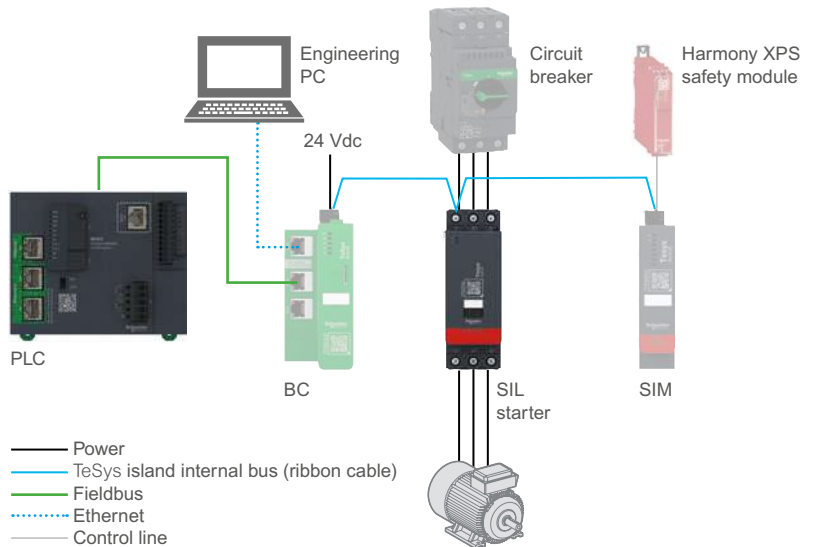
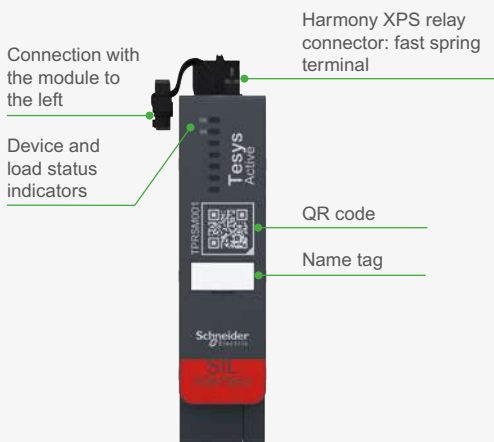
- Upstream to a Harmony XPS safety module
- To a SIL starter of the same SIL group via the TeSys island internal bus (ribbon cable).

The SIM communicates with the bus coupler, sending operational data.

The Stop function is achieved by pure electromechanical means without any digital communication or bus coupler involvement.

Control and monitoring island

SIL Interface Module Features



SIL Interface Module

Designation	Voltage (Vdc)	Product Reference	Weight (kg)
TeSys island SIL interface module (SIM)	24	TPRSM001	0.159

TeSys Active

island Digital Multifunctional Load Management Solution - SIL Interface Module

Characteristics

Control and monitoring island

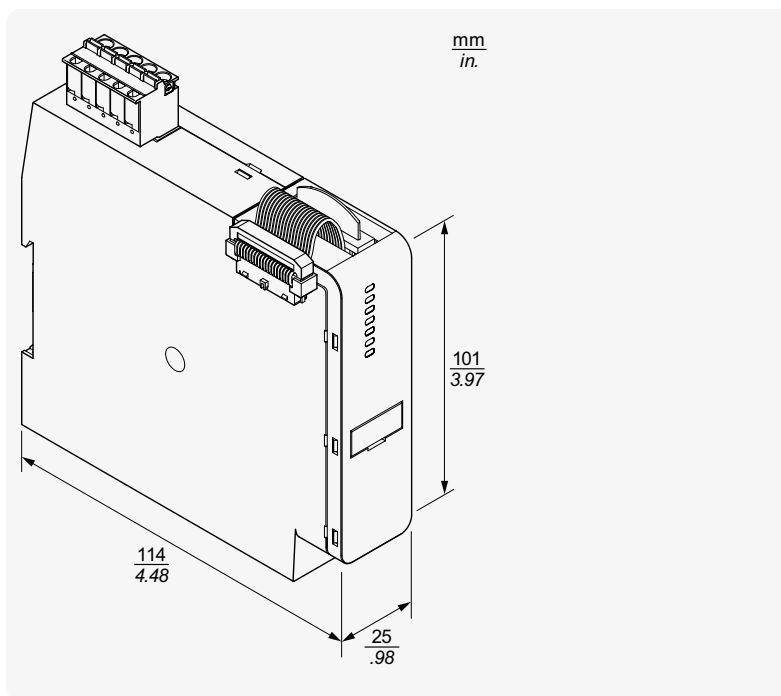
SIL Interface Module Product Reference		TPRSM001	
Standards - Certification			
Standards		IEC 60947-5-1, UL 60947-5-1, CSA C22.2 No 60947-5-1	
Product certification		UL, CSA, EAC, DNV (EU RO MR Type Approved)	
Functional characteristics			
Functionalities		Stop Category 0 and Stop Category 1 conforming to EN/IEC 60204-1 when associated with a TPRSS module	
Product compatibility		<ul style="list-style-type: none"> • TPRBC bus coupler • TPRSSxx SIL motor starter 	
Local signaling		<ul style="list-style-type: none"> • Device status, 1 green/red LED • SIL Stop status, 1 green/red LED 	
Environment			
Ambient air temperature for storage	°C (°F)	-25...70 (-13...158)	
Ambient air temperature for operation	°C (°F)	-10...60 (14...140)	
Ambient air humidity for operation	%	5...95	
Operating altitude	m (ft)	0...2000 (0...6562) without derating	
IP degree of protection		IP20	
Pollution degree		2	
Protective treatment		TC	
Fire resistance	°C (°F)	960 (1760) conforming to UL 94	
Vibration resistance	mm	1.5 peak to peak (3...13 Hz) conforming to IEC 60068-2-6 1 gn (13...200 Hz) conforming to IEC 60068-2-6	
Authorised mounting modes		Horizontal and vertical, on 35 mm symmetrical DIN rail	
Shock resistance		15 gn (duration = 11 ms) conforming to IEC 60068-2-27	
Electromagnetic compatibility		<ul style="list-style-type: none"> • Electrostatic discharge at 8 kV air, 6 kV contact conforming to EN/IEC 61000-4-2 • Radiated RF fields level 3 at 10 V/m conforming to EN/IEC 61000-4-3 • Fast transient immunity test level 3 at 2 kV conforming to EN/IEC 61000-4-4 • Surge immunity test, level 3 (2 kV) conforming to EN/IEC 61000-4-5 level 	
Electrical characteristics			
Rated supply voltage [Us]	Vdc	24	
Supply current	mA	10	
Max power dissipation	W	0.7	
Rated impulse withstand voltage [Uimp]	kV	0.5 conforming to IEC 61010-1	
Input type		Isolated switching input for emergency stop	
Input protection		Internal, electronic	
Input voltage range	'0' state	Vdc	0...5
	'1' state	Vdc	15...28.8
Output type		Relay, instantaneous opening, 1 NO circuit(s), potential free	
Output protection		External fuse, 8 A gG for relay output	
Relay output thermal current	A	8	
Connector			
Removable spring terminal block	1 rigid cable	mm ² /AWG	0.2... 2.5 / AWG 24... AWG 14
	1 flexible cable	mm ² /AWG	0.2... 2.5 / AWG 24... AWG 14
	1 flexible cable with cable end	mm ² /AWG	0.2... 2.5 / AWG 22... AWG 14

TeSys Active

island Digital Multifunctional Load Management Solution - SIL Interface Module

Dimensions

SIL Interface Module: TPRSM001



Control and
monitoring
island

Wiring Diagrams

SIM Terminal Block

Pin Number	Terminal Identification	Signal
1	13	MIRROR IN
2	K1	SIL IN 1
3	KC	SIL COMMON
4	K2	SIL IN 2
5	14	MIRROR OUT

Control and monitoring island



TeSys Active

island Digital Multifunctional Load Management Solution - Digital I/O Module

Product references

Digital I/O Module (DG), monitors and delivers binary status



TPRDG4X2

Digital I/O modules are typically used to get data from sensors and to control devices.

Main functions

- Monitor binary sensors and switches via four 24 Vdc sink/source inputs. No isolation between inputs (share a common ground)
- Control devices like relays, signaling lights, or controller binary inputs via two 0.5 A, 24 Vdc transistor-type outputs. No isolation between outputs (share a common ground)
- Capture statistical operational data of the module:
 - Number of device power cycles
 - Number of device events detected
 - Time module is on
 - Perform I/O channel testing and simulation.

The digital I/O module is connected:

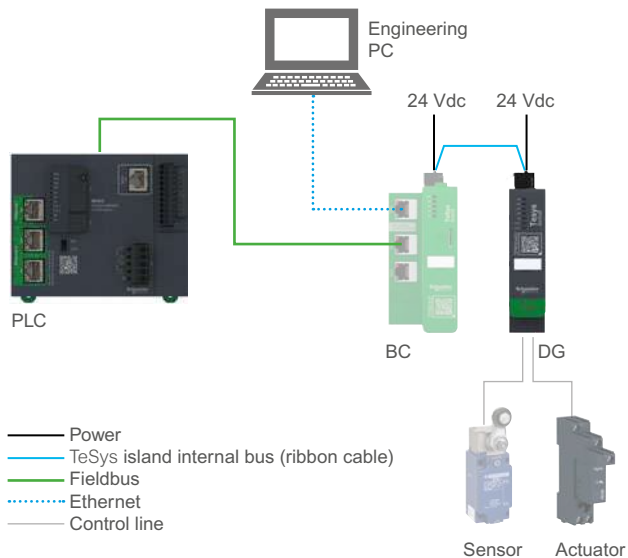
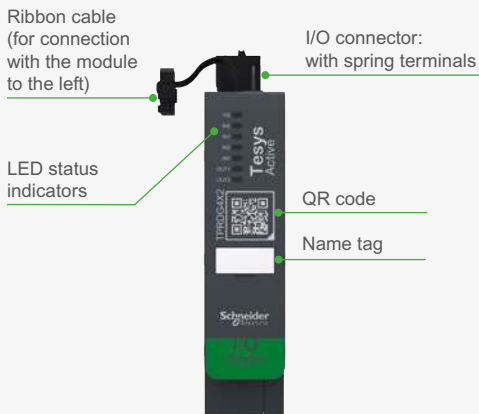
- Upstream to the 24 Vdc source needed to power the downstream actuators
- Input channel: downstream to a binary sensor or switch
- Output channel: downstream to the 24 Vdc input of the actuator

Actuators connected to the digital I/O module must be protected against short-circuits by external means like fuses. The output fuse should be a 0.5 A Type T fuse (215, 218, FLQ or FLSR series from Littelfuse supplier or equivalent), one per output.

The digital I/O module communicates with the bus coupler, sending operational data and receiving commands.

Control and monitoring island

Digital I/O Module Features



Digital I/O Module				
Designation	Input Vdc	Output A / Vdc	Product Reference	Weight (kg)
TeSys island DG - Digital 4I/2O Module	24	0.5 / 24	TPRDG4X2	0.136

TeSys Active

island Digital Multifunctional Load Management Solution - Digital I/O Module

Characteristics

Control and monitoring island

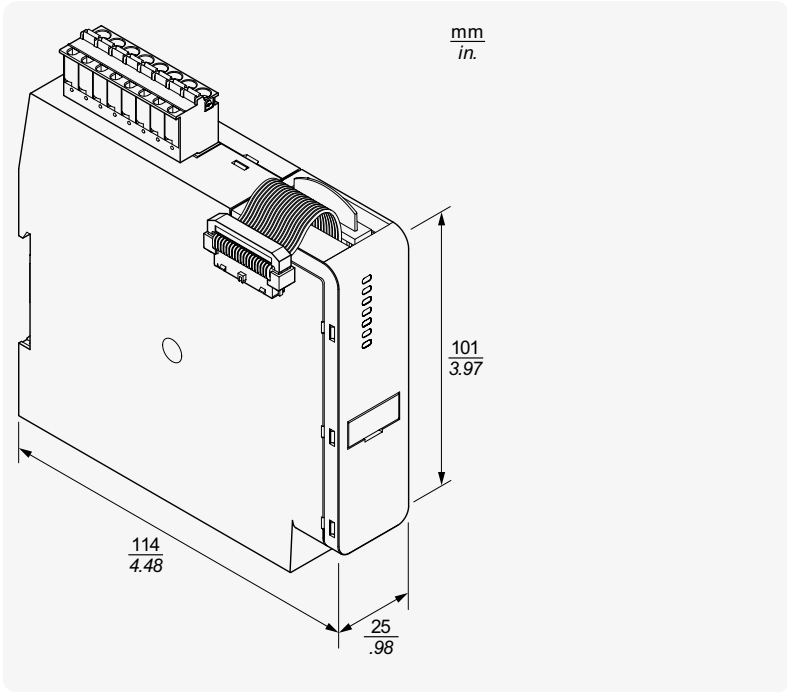
Digital I/O Module Product Reference		TPRDG4X2	
Standards - Certification			
Standards		IEC 61010-02-201, UL 61010-02-201, CSA C22.2 No 61010-02-201	
Product certification		UL, CSA, EAC, DNV (EU RO MR Type Approved)	
Functional characteristics			
Functionalities		<ul style="list-style-type: none"> • Monitoring of 4 digital inputs, configurable positive or negative logic • Control of 2 digital outputs, configurable positive or negative logic 	
Product compatibility		TPRBC bus coupler, TPRPM power module, TPRST standard starters	
Local signaling		<ul style="list-style-type: none"> • DS (device status): 1 LED (green/red) • I0 (input 1 status): 1 LED (green) • I1 (input 2 status): 1 LED (green) • I2 (input 3 status): 1 LED (green) • I3 (input 4 status): 1 LED (green) • Q0 (output 1 status): 1 LED (green) • Q1 (output 2 status): 1 LED (green) 	
Environment			
Ambient air temperature for storage	°C (°F)	-25...70 (-13...158)	
Ambient air temperature for operation	°C (°F)	-10...60 (14...140)	
Ambient air humidity for operation	%	5...95	
Operating altitude	m (ft)	0...2000 (0...6562) without derating	
IP degree of protection		IP20	
Pollution degree		2	
Protective treatment		TC	
Fire resistance	°C (°F)	960 (1760) conforming to UL 94	
Vibration resistance	mm	1.5 peak to peak (3...13 Hz) conforming to IEC 60068-2-6 1 gn (13... 200 Hz) conforming to IEC 60068-2-6	
Authorised mounting modes		Horizontal and vertical, on 35 mm symmetrical DIN rail	
Shock resistance		15 gn (duration = 11 ms) conforming to IEC 60068-2-27	
Electromagnetic compatibility		<ul style="list-style-type: none"> • Electrostatic discharge at 8 kV air, 6 kV contact conforming to EN/IEC 61000-4-2 • Radiated RF fields level 3 at 10 V/m conforming to EN/IEC 61000-4-3 • Fast transient immunity test level 3 at 2 kV conforming to EN/IEC 61000-4-4 • Surge immunity test, level 3 (2 kV) conforming to EN/IEC 61000-4-5 level 	
Electrical characteristics			
Rated supply voltage [Us]	Vdc	24	
Current consumption on power supply	mA	160	
Rated impulse withstand voltage [Uimp]	kV	0.5 conforming to IEC 61010-1	
Max power dissipation	W	0.5	
Number of digital inputs / compliance		4 conforming to IEC 61131-2 Type 1	
Digital input voltage, typical (min, max)	Vdc	24 (19.2... 28.8)	
Digital input current, under 24 Vdc	mA	7	
Input impedance	Ω	≤ 50 Ohm for current ≥ 1 MOhm for voltage ≥ 1 MOhm for thermocouple ≥ 1 MOhm for temperature probe	
Digital input logic levels	'0'	Vdc	0...5
	'1'	Vdc	15...28.8
Number of digital output		2 - static outputs	
Output logic		Configurable: positive or negative	
Digital output voltage, typical (min, max)	Vdc	24 (19.2...28.8)	
Digital output current	A	0.5 with resistive load	
Digital output protection		External fast fuse required - 1 per output: F 0.5 A	
Electrical insulation - Digital input to digital output	Vrms	500	
Electrical insulation - Digital input, digital output to rest of circuit (internal Bus...)	Vrms	2500	
Reponse time	ms	5 ms at 24 V for digital input 5 ms at 24 V for digital output	
Connector			
Removable spring terminal block	1 rigid cable	mm ² /AWG	0.2... 2.5 / AWG 24... AWG 14
	1 flexible cable	mm ² /AWG	0.2... 2.5 / AWG 24... AWG 14
	1 flexible cable with cable end	mm ² /AWG	0.2... 2.5 / AWG 22... AWG 14

TeSys Active

island Digital Multifunctional Load Management Solution - Digital I/O Module

Dimensions

Digital I/O Module: TPRDG4X2



Control and monitoring island

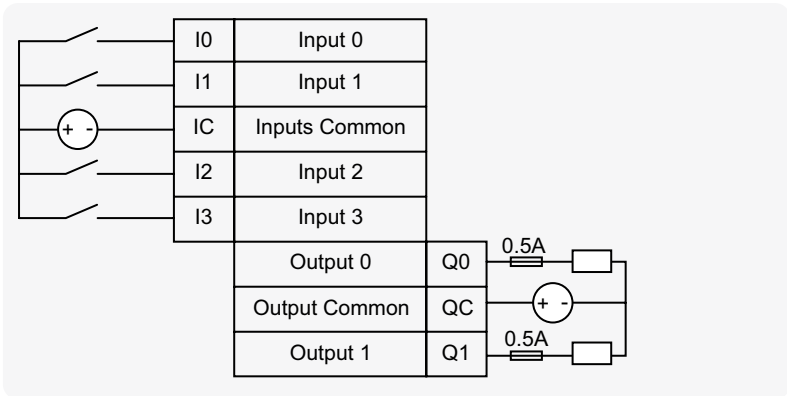
Wiring Diagrams

Digital I/O module

Terminals

Pin	Terminal Identification	Digital I/O module
1 (Closest to DIN rail)	I0	Input 0
2	I1	Input 1
3	IC	Input Common
4	I2	Input 2
5	I3	Input 3
6	Q0	Output 0
7	QC	Output Common
8 (Closest to front face)	Q1	Output 1

Digital I/O Wiring



TeSys Active

island Digital Multifunctional Load Management Solution - Analog I/O Module

Product references

Analog I/O module (AN), monitors and delivers analog values

Control and monitoring island



TPRAN2X1

Analog I/O modules are typically used to get data from sensors and to control devices.

Main functions

- Monitor RTD, Thermocouple (NI100, NI1000, PT100, PT1000, PTC binary, thermocouple type B, C, E, J, K, N, R, S, T), Voltage & Current analog readings (0–10V, -10...+10V, 0–20 mA, 4–20 mA) through 2 configurable inputs
- Control voltage & current output via 1 configurable analog output (0–10 V, -10...+10V, 0–20 mA, 4–20 mA)
- Capture statistical operational data:
 - Number of device power cycles
 - Number of device events detected
 - Time module is on.

The analog I/O module is connected

- Input channel: downstream to an analog sensor or sensor transmitter
- Output channel: downstream to the control input of a voltage-driven actuator, such as a variable-speed drive

Devices connected to the outputs of the I/O module must be protected against short circuits by external means like fuses.

The analog I/O module communicates with the bus coupler, sending operational data and receiving commands.

Note: No per-channel LEDs are provided.

Analog I/O Module Features

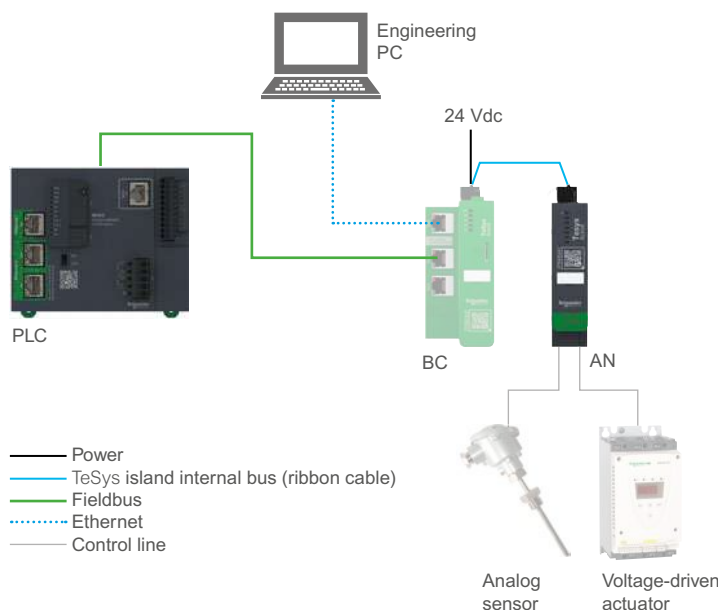
Ribbon cable (for connection with the module to the left)

I/O connector: with spring terminals

LED status indicators

QR code

Name tag



Analog I/O Module

Designation	Inputs		Output		Product Reference	Weight (kg)
	mA dc	Vdc	mA dc	Vdc		
TeSys island - Analog 2I/O Module	0-20	-10 to +10	0-20	-10 to +10	TPRAN2X1	0.172
	4-20	0-10	4-20	0-10		
	Thermocouple					

TeSys Active

island Digital Multifunctional Load Management Solution - Analog I/O Module

Characteristics

Analog I/O Module Product Reference		TPRAN2X1	
Standards - Certification			
Standards		IEC 61010-02-201, UL 61010-02-201, CSA C22.2 No 61010-02-201	
Product certification		UL, CSA, EAC, DNV (EU RO MR Type Approved)	
Functional characteristics			
Functionalities		<ul style="list-style-type: none"> • Voltage, current, or temperature measurement, by 2 configurable analog inputs • Voltage or current source control, by 1 configurable analog output 	
Product compatibility		TPRBC bus couples, TPRST standard starters, TPRSS SIL starters	
Local signaling		Device status, 1 green/red LED	
Environment			
Ambient air temperature for storage	°C (°F)	-25...70 (-13...158)	
Ambient air temperature for operation	°C (°F)	-10...60 (14...140)	
Ambient air humidity for operation	%	5...95	
Operating altitude	m (ft)	0...2000 without derating	
IP degree of protection		IP20	
Pollution degree		2	
Protective treatment		TC	
Fire resistance	°C (°F)	960 (1760) conforming to UL 94	
Vibration resistance	mm	1.5 peak to peak (3...13 Hz) conforming to IEC 60068-2-6 1 gn (13...200 Hz) conforming to IEC 60068-2-6	
Authorised mounting modes		Horizontal and vertical, on 35 mm symmetrical DIN rail	
Shock resistance		15 gn (duration = 11 ms) conforming to IEC 60068-2-27	
Electromagnetic compatibility		<ul style="list-style-type: none"> • Electrostatic discharge, level 3 at 8 kV air, 6 kV contact conforming to EN/IEC 61000-4-2 • Radiated RF fields level 3 at 10 V/m conforming to EN/IEC 61000-4-3 • Fast transient immunity test level 3 at 2 kV conforming to EN/IEC 61000-4-4 • Surge immunity test, level 3 (2 kV) conforming to EN/IEC 61000-4-5 level 	
Electrical characteristics			
Current consumption on power supply	mA	160	
Max power dissipation	W	0.5	
Number of analog inputs		2	
Analog Input - current measurement range	mA	4...20 0...20	
Analog Input - voltage measurement range	Vdc	0...10 -10...+10	
Analog Input - temperature measurement range / sensor	°C (°F)	-60...180 °C with temperature probe Ni 100 -60...180 °C with temperature probe Ni 1000 -200...850 °C with temperature probe Pt 100 -200...600 °C with temperature probe Pt 1000 -200...1000 °C with thermocouple J -200...1300 °C with thermocouple K 0...1760 °C with thermocouple R 0...1760 °C with thermocouple S 0...1820 °C with thermocouple B -200...400 °C with thermocouple T -200...1300 °C with thermocouple N -200...800 °C with thermocouple E 0...2315 °C with thermocouple C	
Analog input measurement accuracy	%	± 0.1 of full scale voltage ± 0.1 of full scale current ± 0.1 of full scale temperature probe ± 0.1 of full scale in positive temperature range thermocouple ± 0.4 of full scale in negative temperature range thermocouple	
Analog input measurement resolution	bits	15 + sign full scale	
Analog input impedance /	Ω	≤ 50 Ohm for current ≥ 1 MOhm for voltage ≥ 1 MOhm for thermocouple ≥ 1 MOhm for temperature probe	
Electrical insulation - Analog channels / rest of circuit (internal Bus...)	Vrms	2500 - Isolated by the use of photocouplers	
Number of analog output		1	
Analog output type /range	Current	mA	4...20 0...20
	Voltage	Vdc	0...10 -10...+10
Analog output resolution / range	4...20 mA	bits	12, full scale
	0...20 mA	bits	12, full scale
	0...10 V	bits	12, full scale
	-10...+10 V	bits	11 + sign, full scale

Control and monitoring island

TeSys Active

island Digital Multifunctional Load Management Solution - Analog I/O Module

Characteristics

Analog I/O Module Product Reference (cont.)		TPRAN2X1	
I/O wiring			
Recommended cable		Twisted pair, shielded	
Max length per IO	m	30	
Connector			
Removable spring terminal block	1 rigid cable	mm ² /AWG	0.2... 2.5 / AWG 24... AWG 14
	1 flexible cable	mm ² /AWG	0.2... 2.5 / AWG 24... AWG 14
	1 flexible cable with cable end	mm ² /AWG	0.2... 2.5 / AWG 22... AWG 14

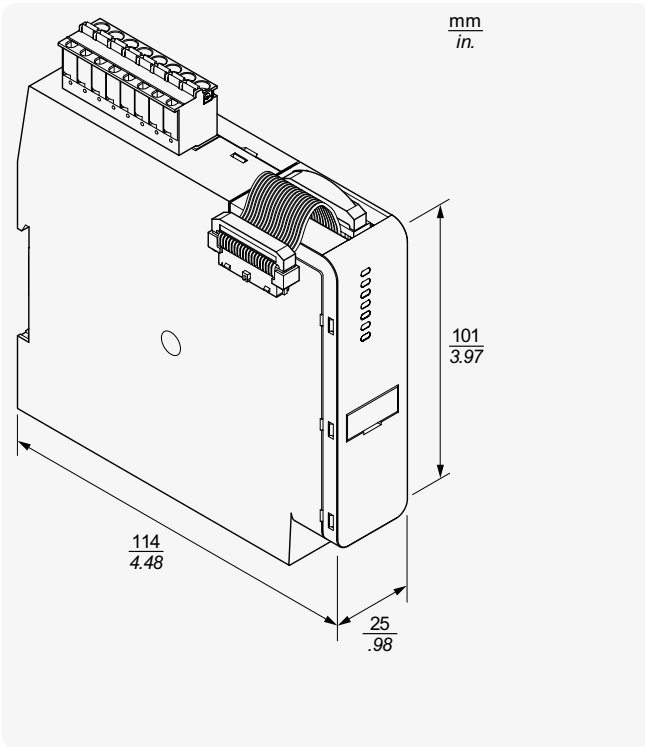
Control and monitoring island

TeSys Active

island Digital Multifunctional Load Management Solution - Analog I/O Module

Dimensions

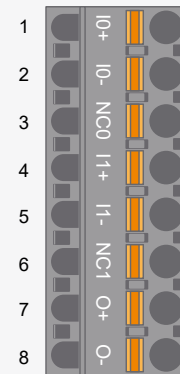
Analog I/O Module: TPRAN2X1



Wiring Diagrams

Analog I/O Module

Terminals

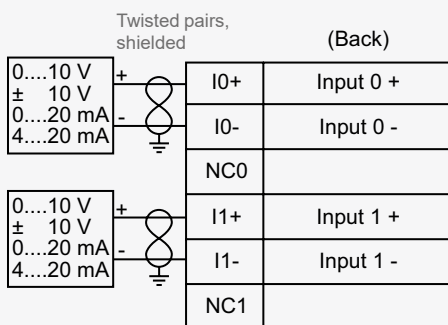


Pin	Terminal Identification	Analog I/O Module
1 (Closest to DIN rail)	IO +	Input 0 +
2	IO -	Input 0 -
3	NC 0	NC 0
4	I1 +	Input 1 +
5	I1 -	Input 1 -
6	NC 1	NC 1
7	O +	Output +
8 (Closest to front face)	O -	Output -

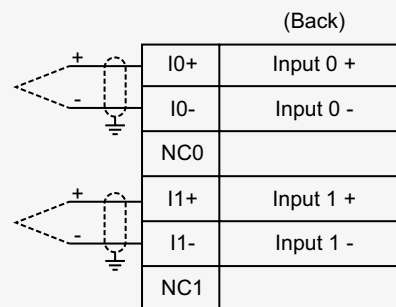
Control and monitoring island

Analog I/O Wiring

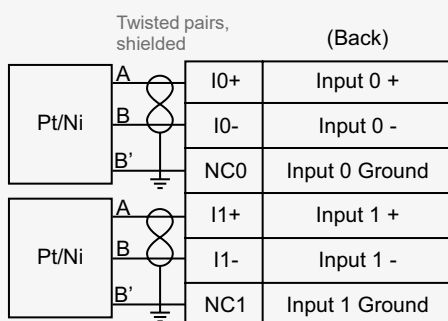
Current / Voltage Analog Device Input



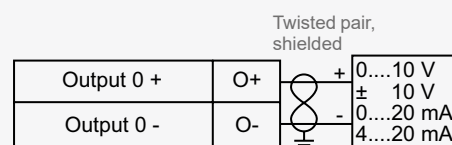
Thermocouples



Resistance Temperature Detector



Current / Voltage Analog Device Output



TeSys Active

island Digital Multifunctional Load Management Solution - Voltage Interface Module

Product references

Voltage Interface Module (VIM), for whole island monitoring

Control and monitoring island



TPRVM001

The voltage interface module (VIM) enables voltage, power, and energy monitoring for the whole island.

Main functions

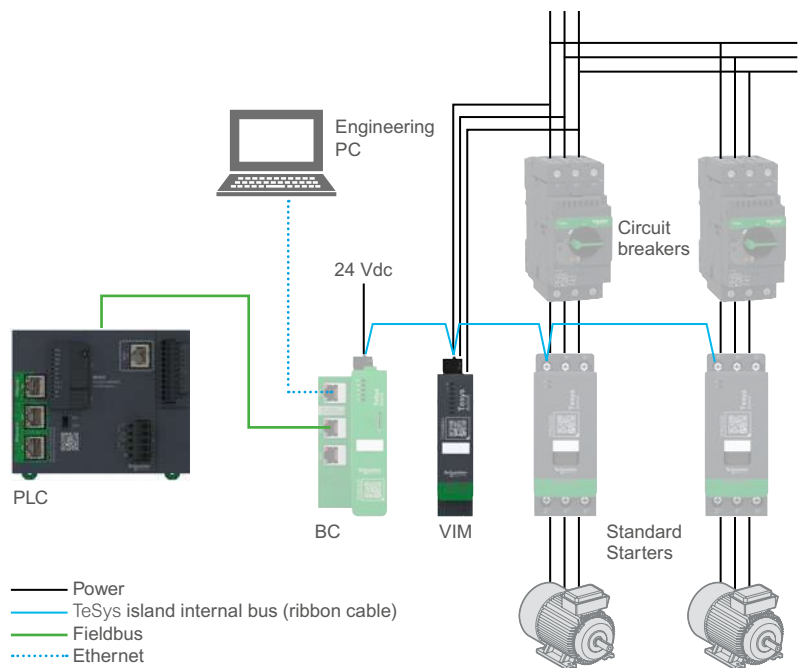
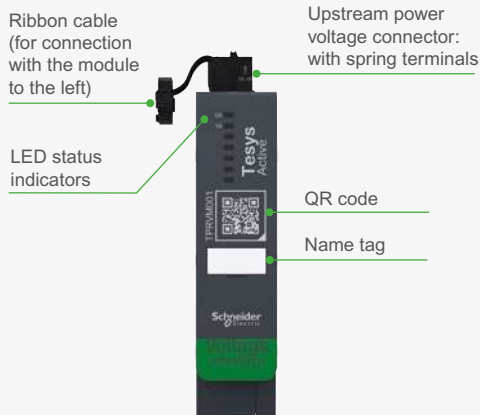
- Measure single-phase and three-phase line voltages (47...63 Hz) at one connection point of the island
- Enable the monitoring of energy-related data at the island level
- Monitor voltage in single-phase systems L-N or L-L
- Monitor voltages in three-phase systems without neutral N connection
- Calculate RMS phase voltages, voltage phase sequence
- Monitor for fundamental frequency
- Identify the level and duration of dip and swell events.

The VIM is connected

- Upstream to the line voltages.

The VIM communicates with the bus coupler, sending operational data.

Voltage Interface Module Features



Voltage Interface Module (VIM)

Designation	Phase	Voltage (V)	Frequency (Hz)	Product Reference	Weight (kg)
TeSys island Voltage interface module	1P/3P	100 to 690	50-60	TPRVM001	0.159

Characteristics

Voltage interface module Product Reference		TPRVM001	
Standards - Certification			
Standards		IEC 61010-02-030, UL 61010-02-030, CSA C22.2 No 61010-02-030	
Product certification		UL, CSA, EAC, DNV (EU RO MR Type Approved)	
Functional characteristics			
Functionality		<ul style="list-style-type: none"> • Provides Island line power supply voltage measurement • Values are sent to bus coupler, to enable load monitoring by upper system 	
Measurement specifications	Functions	<ul style="list-style-type: none"> • Voltage monitoring of single-phase (U L-N or U L-L) • 3-phase without neutral (U L1-L2, U L2-L3, U L3-L1) • RMS voltage calculation • Voltage phase sequence • Fundamental frequency • Dip and swell event levels and duration 	
	Voltage measurement range	Vrms	100...690
	Voltage measurement accuracy	%	± 5
	Frequency measurement range	Hz	47...63
	Frequency measurement accuracy	Hz	± 1
Rated insulation voltage according IEC 61010-1 [Ui]		V	690
Rated impulse withstand voltage according IEC 61010-1 [Uimp]		kV	6
Overvoltage category		III	
Local signaling		<ul style="list-style-type: none"> • Device status, 1 green/red LED • Voltage status, 1 green/red LED 	
Environment			
Ambient air temperature for storage		°C (°F)	-25...70 (-13...158)
Ambient air temperature for operation		°C (°F)	-10...60 (14...140)
Ambient air humidity for operation		%	5...95
Operating altitude		m (ft)	0...2000 (0...6562) without derating
IP degree of protection		IP20	
Pollution degree		2	
Protective treatment		TC	
Fire resistance		°C (°F)	960 (1760) conforming to UL 94 850 (1562) conforming to IEC 60695-2-1 650 (1202) conforming to IEC 60695-2-12
Vibration resistance		mm	1.5 peak to peak (3...13 Hz) conforming to IEC 60068-2-6 1 gn (13...200 Hz) conforming to IEC 60068-2-6
Authorised mounting modes		Horizontal and vertical, on 35 mm symmetrical DIN rail	
Shock resistance		15 gn (duration = 11 ms) conforming to IEC 60068-2-27	
Electromagnetic compatibility		<ul style="list-style-type: none"> • Electrostatic discharge at 8 kV air, 6 kV contact conforming to EN/IEC 61000-4-2 level 3 • Radiated RF fields at 10 V/m conforming to EN/IEC 61000-4-3 level 3 • Fast transient immunity test at 4 kV conforming to EN/IEC 61000-4-4 level 4 • Surge immunity test immunity, level 3 (2 kV) conforming to EN/IEC 61000-4-5 	
Electrical characteristics			
Rated supply voltage from bus coupler [Us]		Vdc	24
Current consumption on bus coupler		mA	2
Power dissipation		W	0.5
Connector			
Removable spring terminal block	1 rigid cable	mm ² /AWG	0.2... 2.5 / AWG 24...AWG 14
	1 flexible cable	mm ² /AWG	0.2... 2.5 / AWG 24...AWG 14
	1 flexible cable with cable end	mm ² /AWG	0.2... 2.5 / AWG 22... AWG 14

Control and monitoring island

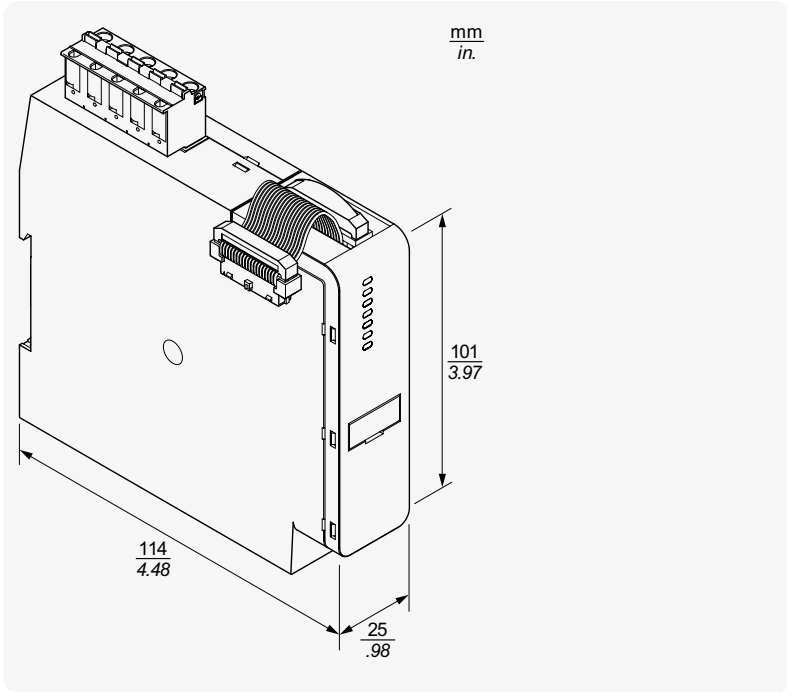
TeSys Active

island Digital Multifunctional Load Management Solution - Voltage Interface Module

Dimensions

Control and monitoring island

Voltage Interface Module: TPRVM001



Wiring Diagrams

VIM Spring Terminal Connector

VIM Pinout			
Pin Number	Terminal Identification	Single Phase	Three Phase
1	L1	Phase A Voltage	Phase A voltage
2	-	Do Not Use	Do Not Use
3	L2	Do Not Use	Phase B voltage
4	-	Do Not Use	Do Not Use
5	L3	Phase B Voltage	Phase C voltage

TeSys Active

island Digital Multifunctional Load Management Solution - Assembly Kits

Product references

Assembly Kit for 2 speed or 2 direction avatars



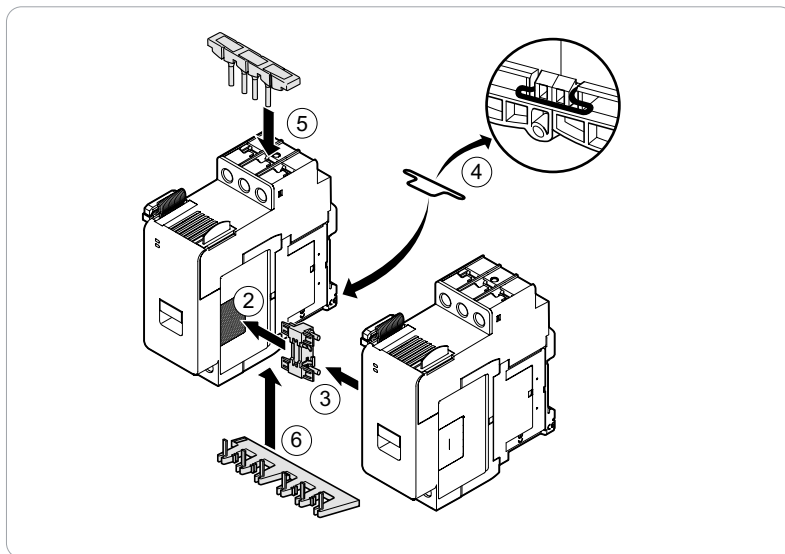
LAD9R1

LAD9R1

Kit is used to join adjacent 9-38 A (size 1 and 2) starters.

Composition:

- LAD9V2 - Mechanical interlock with assembly staple
- LAD9V5 - Parallel link between two starters
- LAD9V6 - Reversing link between two starters.



Control and monitoring island



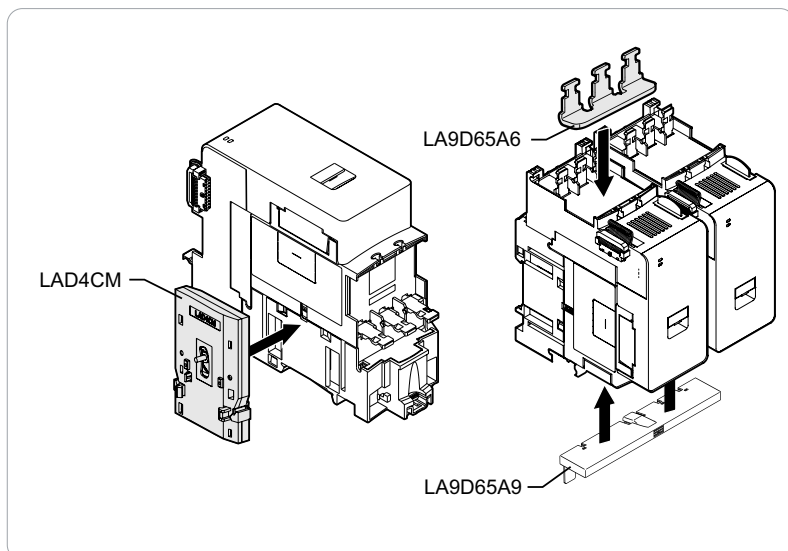
LAD9R3

LAD9R3

Kit is used to join adjacent 40-65 A (size 3) starters.

Composition:

- LAD4CM - Mechanical interlock
- LA9D65A6 - Parallel link between two starters
- LA9D65A9 - Reversing link between two starters.



TeSys Active

island Digital Multifunctional Load Management Solution - Assembly Kits

Product references

Shorting blocks for Wye-Delta (Star-Delta) avatars



LAD9P3

LAD9P3

Is used for linking 3 poles of a 9-38 A (size 1 and 2) starter.



LAD9SD3S

Is used for linking 3 poles of a 40-65 A (size 3) starter.



LAD9SD3S

Assembly Kits for Starters

Designation		Product Reference
Assembly kit for 2 starters	9-38 A (size 1 and 2) starters	LAD9R1
	40-65 A (size 3) starters	LAD9R3
Jumper bar 3-pole	for 9-38 A (size 1 and 2) starter	LAD9P3
	with hazard label - for 40-65 A (size 3) starter	LAD9SD3S



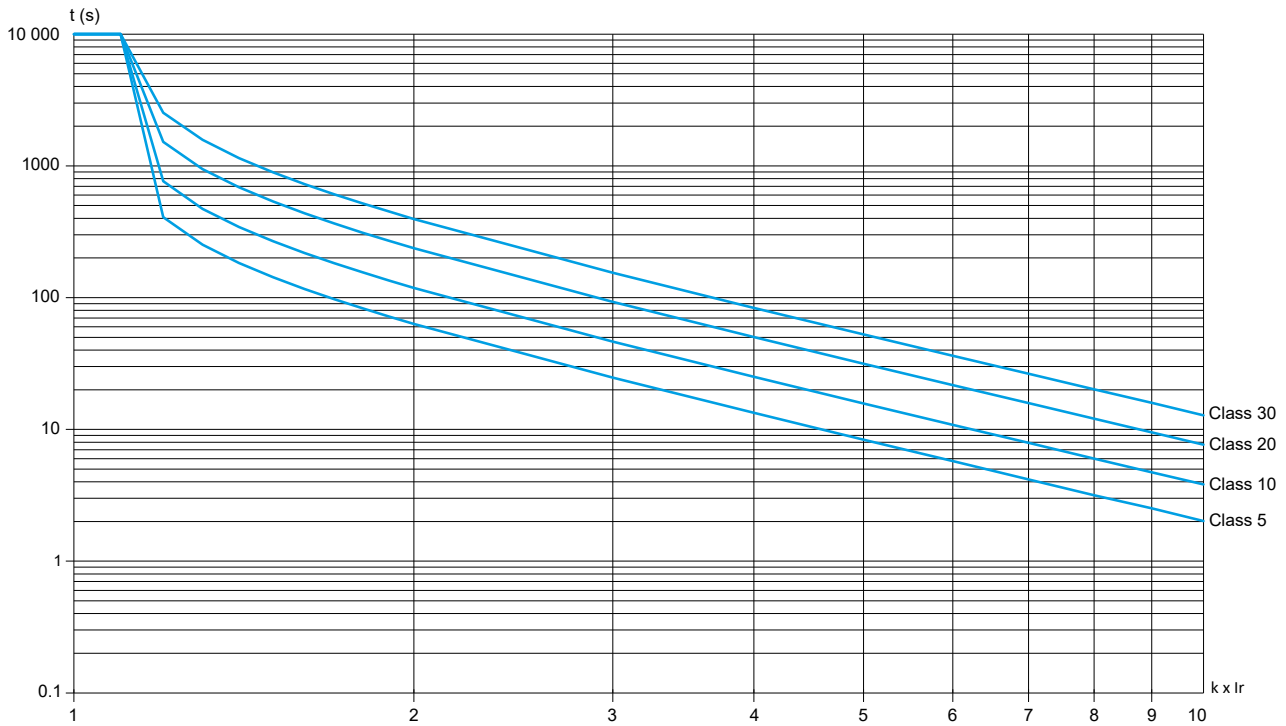
TeSys Active

island Digital Multifunctional Load Management Solution

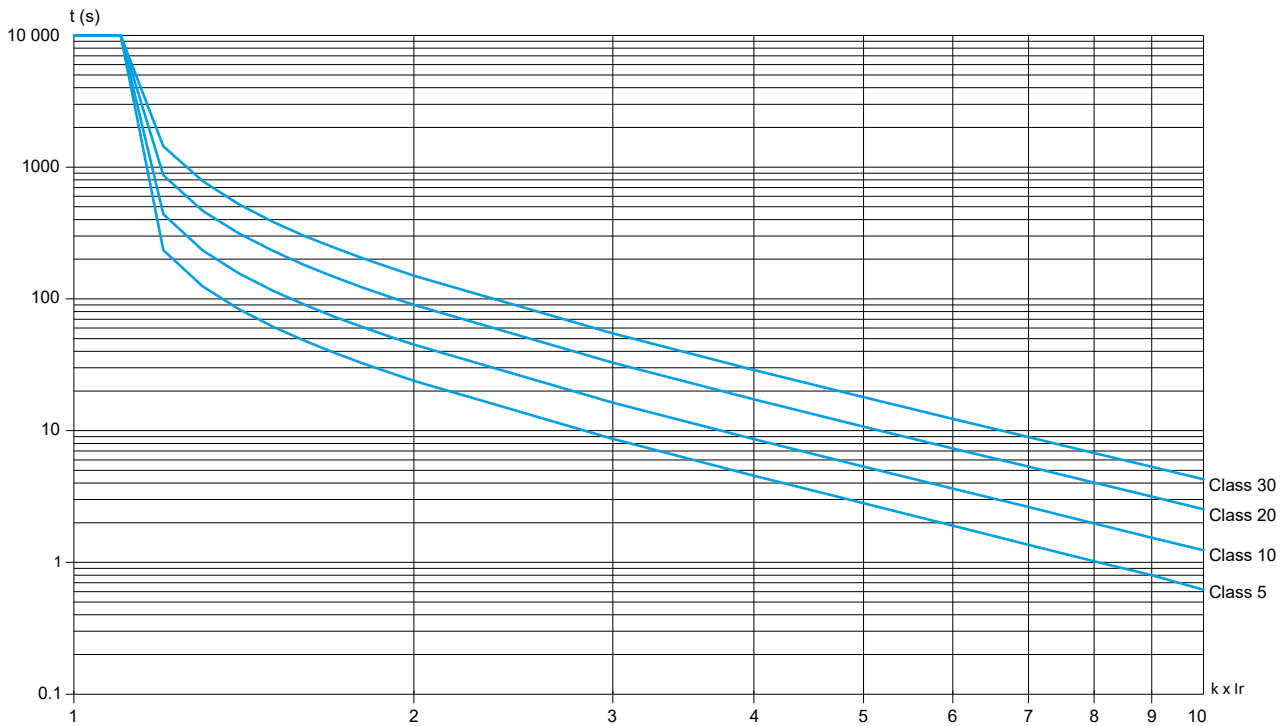
Thermal Protection Tripping Curves

TeSys island Cold State Tripping Curves

Control and monitoring island



TeSys island Hot State Tripping Curves



TeSys Active

island Digital Multifunctional Load Management Solution - Assembly Kits

Related documentation

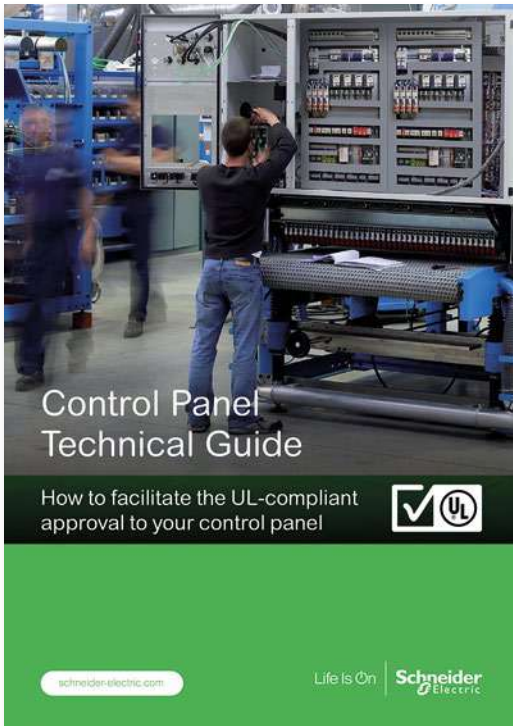
Document Title	Description	Document Number
Guide		
TeSys island - System, Installation, and Operation Guide	Introduces and describes the main functions of TeSys island. Describes its mechanical installation, wiring, and commissioning. Describes how to operate and maintain TeSys island.	DOCA0270EN
TeSys island - Functional Safety Guide	Describes the Functional Safety features ⁽¹⁾ of TeSys island	8536IB1904EN
TeSys island - Third Party Function Block Guide	Contains the information needed to create function blocks for third party hardware	8536IB1905EN
TeSys island - Quick Start & Library Guide for Ethernet IP in Studio 5000 Application	Describes the TeSys island library used in the Studio 5000 environment with a Rockwell EtherNet/IP PLC	DOCA0271EN
TeSys island - Quick Start & Library Guide for PROFIBUS & PROFINET in TIA Portal	Describes the TeSys island library used in the Studio 5000 environment with a PLC using PROFINET or PROFIBUS communication	DOCA0272EN
TeSys island DTM Online Help Guide	Describes how to install and use various functions of TeSys island configuration software and how to configure the parameters of TeSys island	8536IB1907
Product Environmental Profile		
PEP-TeSys island - Digital multifunctional load management solution up to 80 A	Describes constituent materials, recyclability potential, and environmental impact information for TeSys island	ENVPEP1904009EN
Product End of Life Instructions		
EoLI-TeSys island - Digital multifunctional load management solution up to 80 A	Contains end of life instructions for TeSys island	ENVEOLI1904009EN
Instruction Sheet		
TeSys island TPRBCPFN Bus Coupler (PROFINET) - Instruction Sheet	Describes how to install the TeSys island PROFINET Bus Coupler	MFR44098
TeSys island TPRBCPFB Bus Coupler (PROFIBUS) - Instruction Sheet	Describes how to install the TeSys island PROFIBUS Bus Coupler	GDE55148
TeSys island TPRBCEIP Bus Coupler (Ethernet IP) - Instruction Sheet	Describes how to install the TeSys island Modbus TCP Bus Coupler	MFR44097
TeSys island Starters and Power Interface Modules, Size 1 and 2 - Instruction Sheet	Describes how to install Size 1 and 2 TeSys island starters and power interface modules	MFR77070
TeSys island Starters and Power Interface Modules, Size 3 - Instruction Sheet	Describes how to install Size 3 TeSys island starters and power interface modules	MFR77085
TeSys island Analog I/O and Digital I/O Modules - Instruction Sheet	Describes how to install the TeSys island analog and digital I/O modules	MFR44099
TeSys island SIL Interface and Voltage Interface Modules - Instruction Sheet	Describes how to install the TeSys island voltage interface modules and SIL interface modules	MFR44100

(1) Functional Safety according to EN 61508.

Control and monitoring island

Control Panel Technical guides

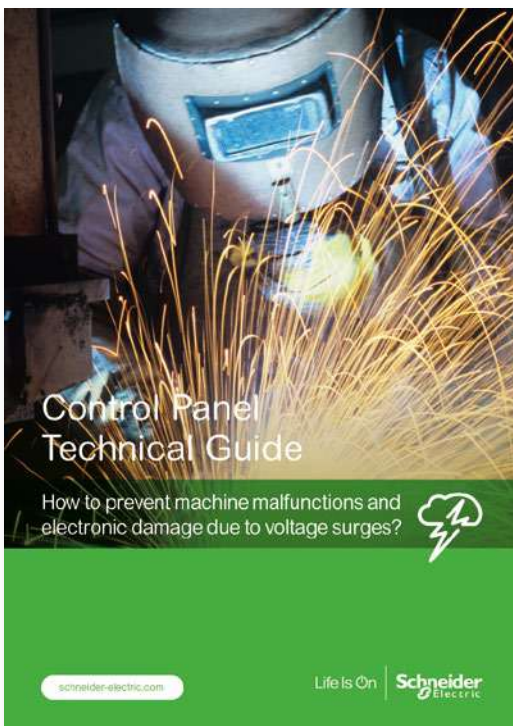
- > Discover our technical guides collection. They are dedicated to frequent issues faced when designing an installing a control panel.
- > Free download on www.se.com with the document reference or from the QR codes.



How to facilitate the UL-compliant approval to your control panel

> Ref: CPTG005_EN

> [Click on QR code to download](#)



How to prevent machine malfunctions and electronic damage due to voltage surges

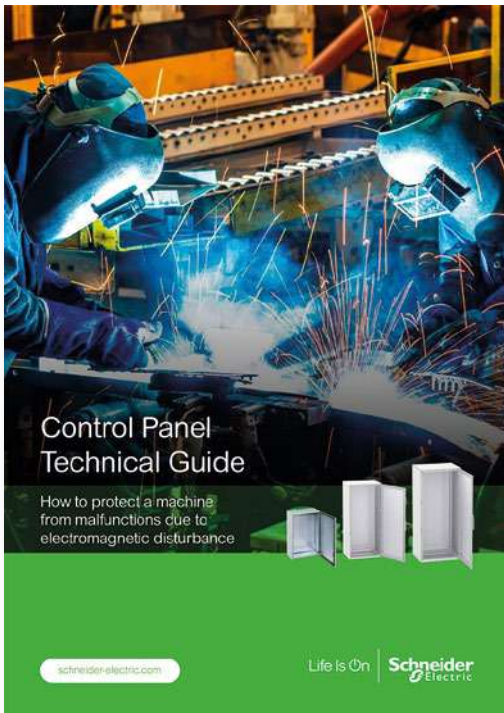
> Ref: CPTG002_EN

> [Click on QR code to download](#)



Control Panel Technical guides

- > Discover our technical guides collection. They are dedicated to frequent issues faced when designing an installing a control panel.
- > Free download on www.se.com with the document reference or from the QR codes.



How to protect a machine from malfunctions due to electromagnetic disturbance

> Ref: CPTG003_EN

> [Click on QR code to download](#)



How to reduce damage to components through effective thermal management

> Ref: CPTG001_EN

> [Click on QR code to download](#)



Control Panel Technical guides

- > Discover our technical guides collection. They are dedicated to frequent issues faced when designing an installing a control panel.
- > Free download on www.se.com with the document reference or from the QR codes.



How define the right outdoor solution and optimize its durability

> Ref: CPTG006_EN

> [Click on QR code to download](#)



How to protect electrical equipment from condensation

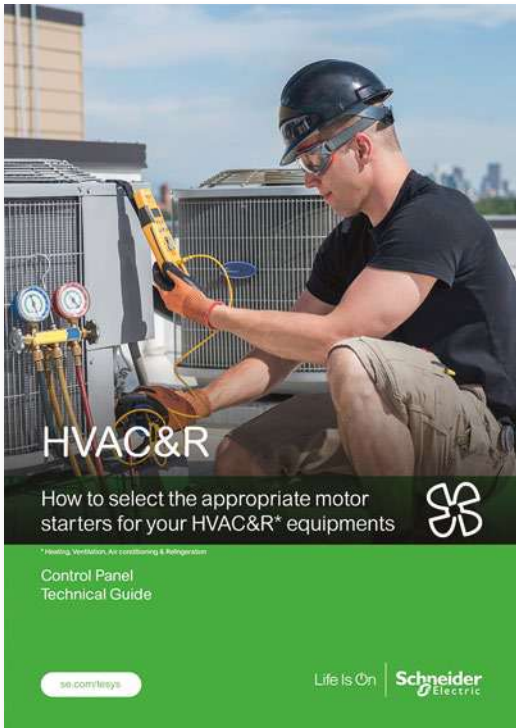
> Ref: UE12MK03EN

> [Click on QR code to download](#)



Control Panel Technical guides

- > Discover our technical guides collection. They are dedicated to frequent issues faced when designing an installing a control panel.
- > Free download on www.se.com with the document reference or from the QR codes.

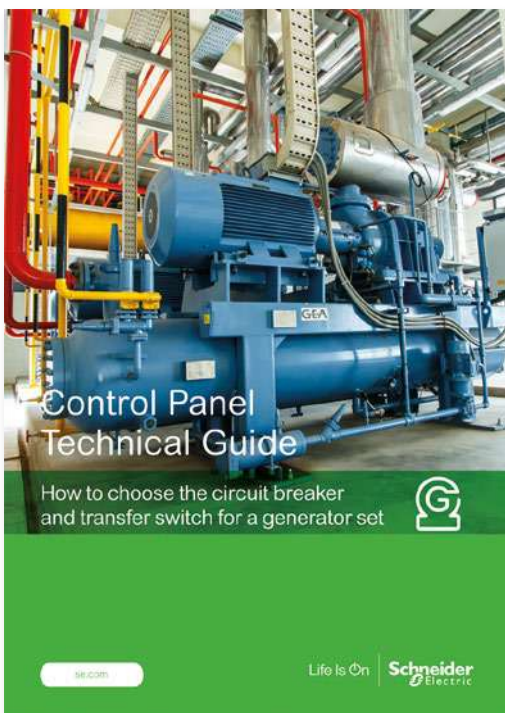
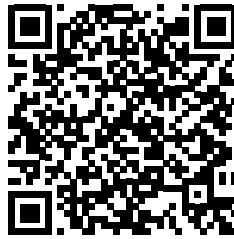


How to select the appropriate motor starters for your HVAC & R* equipments

* Heating, Ventilation, Air conditioning & Refrigeration

> Ref: CPTG007_EN

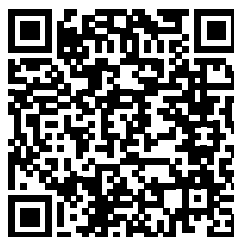
> [Click on QR code to download](#)



How to choose the circuit breaker and transfer switch for a generator set

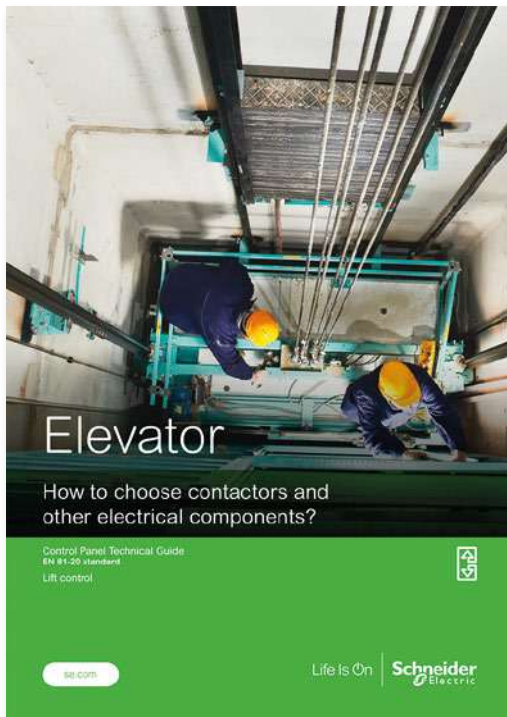
> Ref: CPTG008_EN

> [Click on QR code to download](#)



Control Panel Technical guides

- > Discover our technical guides collection. They are dedicated to frequent issues faced when designing an installing a control panel.
- > Free download on www.se.com with the document reference or from the QR codes.

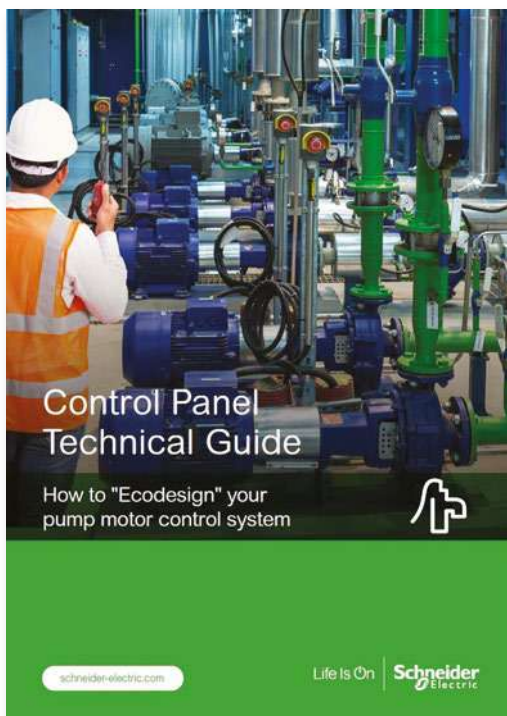


New edition 2020

Elevator
How to choose contactors and other electrical components

> Ref: CPTG009_EN

> [Click on QR code to download](#)



How to "Ecodesign" your pump motor control system

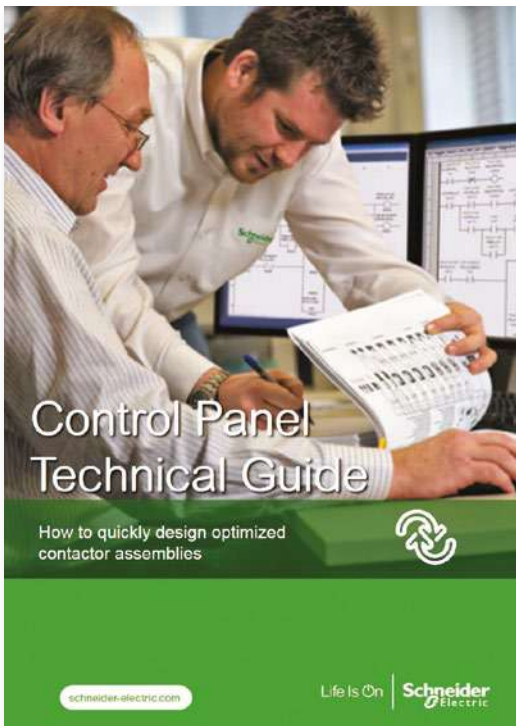
> Ref: CPTG010_EN

> [Click on QR code to download](#)



Control Panel Technical guides

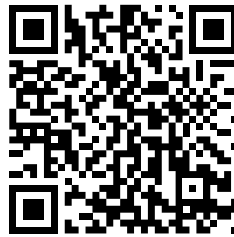
- > Discover our technical guides collection. They are dedicated to frequent issues faced when designing an installing a control panel.
- > Free download on www.se.com with the document reference or from the QR codes.



How to quickly design optimized contactor assemblies

> Ref: CPTG011_EN

> [Click on QR code to download](#)

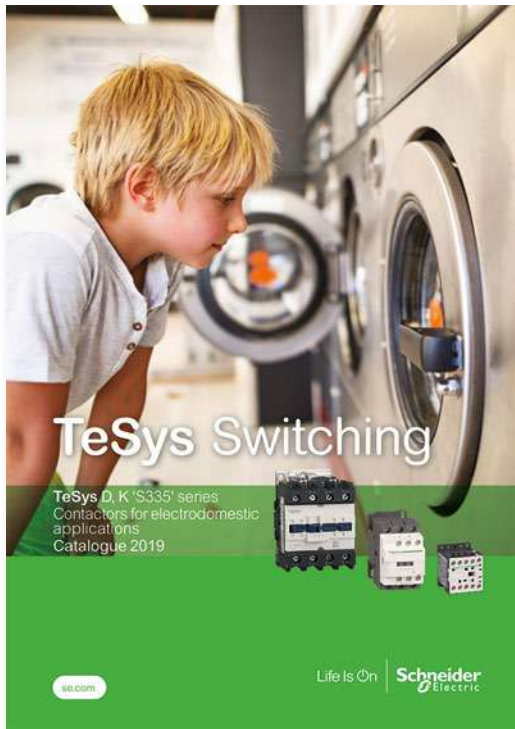


Catalogues of contactors for specific applications

> For applications requiring components conforming to specific standards with increased severity.

> **TeSys Switching**

TeSys D, K S355 and S207 series contactors are built for these purpose, with new materials.



> **TeSys Switching**

TeSys D, K 'S355 series' (EN60335 standards)
Contactors for electrodomestic applications

> Ref: LVCATESDK335_EN

> [Click on QR code to download.](#)

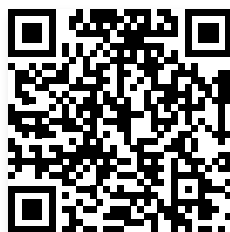


> **TeSys Control**

TeSys K, Deca, Giga S207 series (EN45545 R22 HL3 standards)
Contactors for railways applications

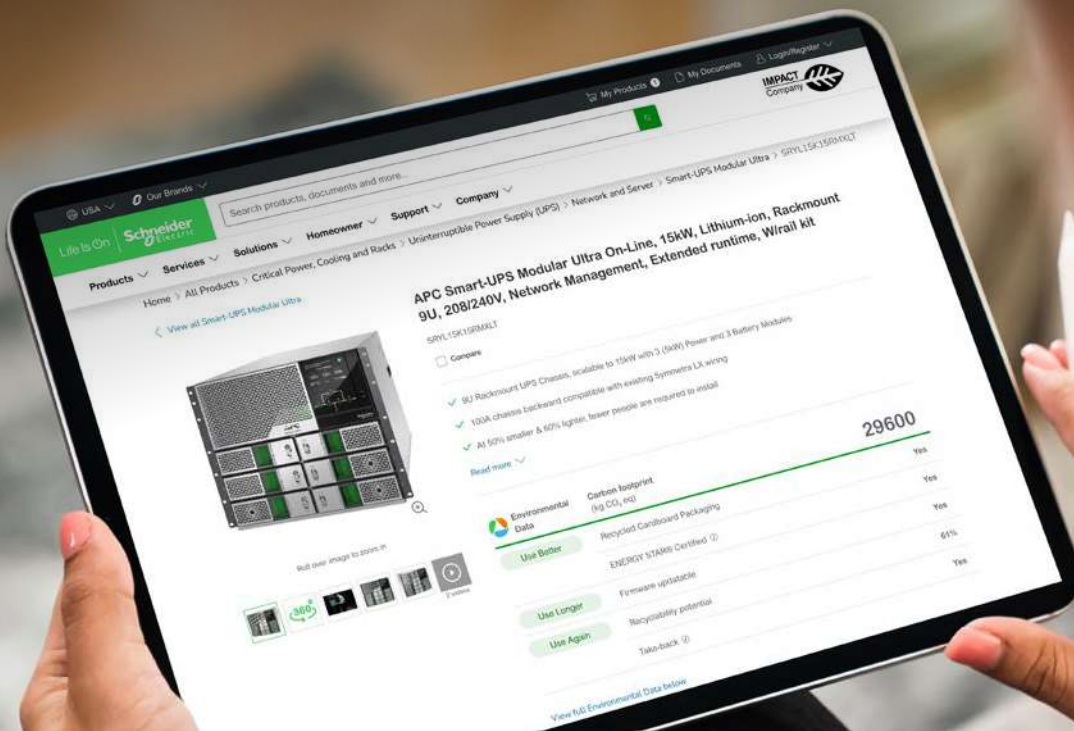
> Ref: LVCATRAIL_EN

> [Click on QR code to download.](#)





Environmental Data Program

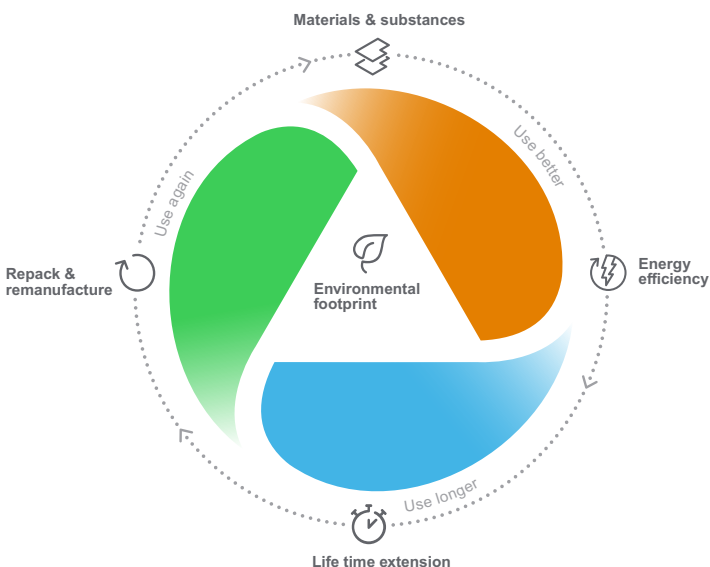


Next-level transparency for better-informed product choices

The Environmental Data Program is a framework for how we measure, categorize, and compare the environmental attributes and footprint of our products.

Using a rigorous, fact-based methodology, the program provides environmental data from across the product lifecycle.

Five data categories across the product lifecycle



Use Better: How sustainable a product is, including environmental footprint, materials and substances, packaging, and energy efficiency.

Use Longer: How a product's life time can be effectively extended in terms of reparability and updatability.

Use Again: How a product can be reused, from dismantling and remanufacturing to recyclability and manufacturer take back.

With this transparent, verified data, customers and partners are empowered to make conscious environmental choices and accurately evaluate and report on sustainability performance.

All our hardware offers have an associated environmental data available on se.com product pages.



Learn more about the **Environmental Data Program**



Schneider Electric Industries SAS

1884 Boulevard de la Défense
92000 Nanterre
France

RCS Nanterre 954 503 439
Capital social 896 313 776 €
www.se.com

January, 2026
ART834519

© 2026 - Schneider Electric. All Rights Reserved.
All trademarks are owned by Schneider Electric Industries SAS or its affiliated companies.
Document reference: MKTED210011EN

This document has been
printed on recycled paper

