



Contact us

ABB Oy
Muuttitie 2A 65320
Vaasa, Finland
abb.com/lowvoltage

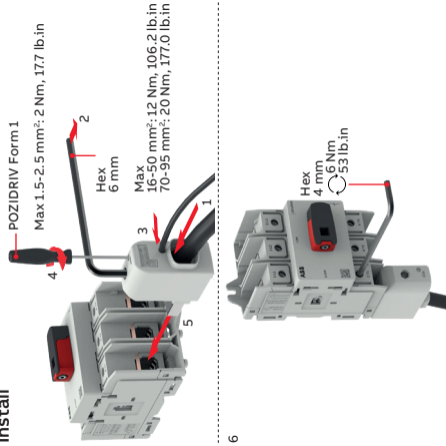
© Copyright 2025 ABB. All rights reserved.
Specifications subject to change without notice.

34OZXT95 rev. C / ISCC390196M0201 # 04.04.2025

OT Plus Terminal lugs OZXT95



Install



Installation order

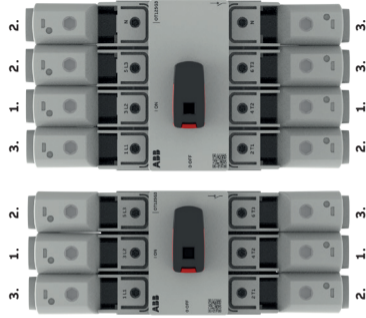
1. VC06-0016



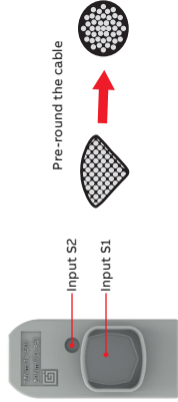
2. VC06-0030



3. VC06-0031



Input S1 & S2



OZXT95

Conductor types IEC 60228	Screw type	Stripping length S1 input	Stripping length S2 input	Tightening torque S1	Tightening torque S2
Class 5-Flexible	S1: SW6 / HEX6	28 mm 1.10 in	5 mm 0.20 in	16-50 mm ² : 12 Nm, 106.2 lb.in 70-95 mm ² : 20 Nm, 177.0 lb.in	1.5-2.5 mm ² : 2 Nm, 17.7 lb.in
Class 2-Stranded					
Class 6-Very flexible with ferrule	S2: PZ 1				
Class 1-Solid					

Cross-section of conductors and numbers of conductors/space

Un	16	25	35	50	70	95
690 V	In	mm ²	mm ²	mm ²	mm ²	mm ²
Cu	230 A	3	3	2	1	1
Al	180 A	1	1	1	1	1



Note!

It is allowed to use max. amount of three adjacent cross-sections in one space. (Copper conductors). The nominal max. cross-section value must not be exceeded. When using aluminum conductors, it is allowed to use only one conductor / space. With the aluminum conductors, it is recommended to use anti-corrosion paste. (e.g. Penetrox).