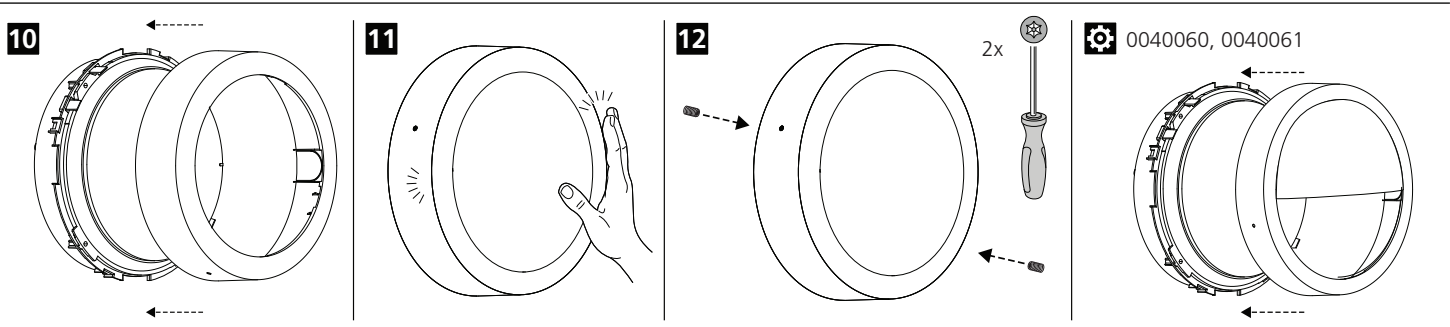
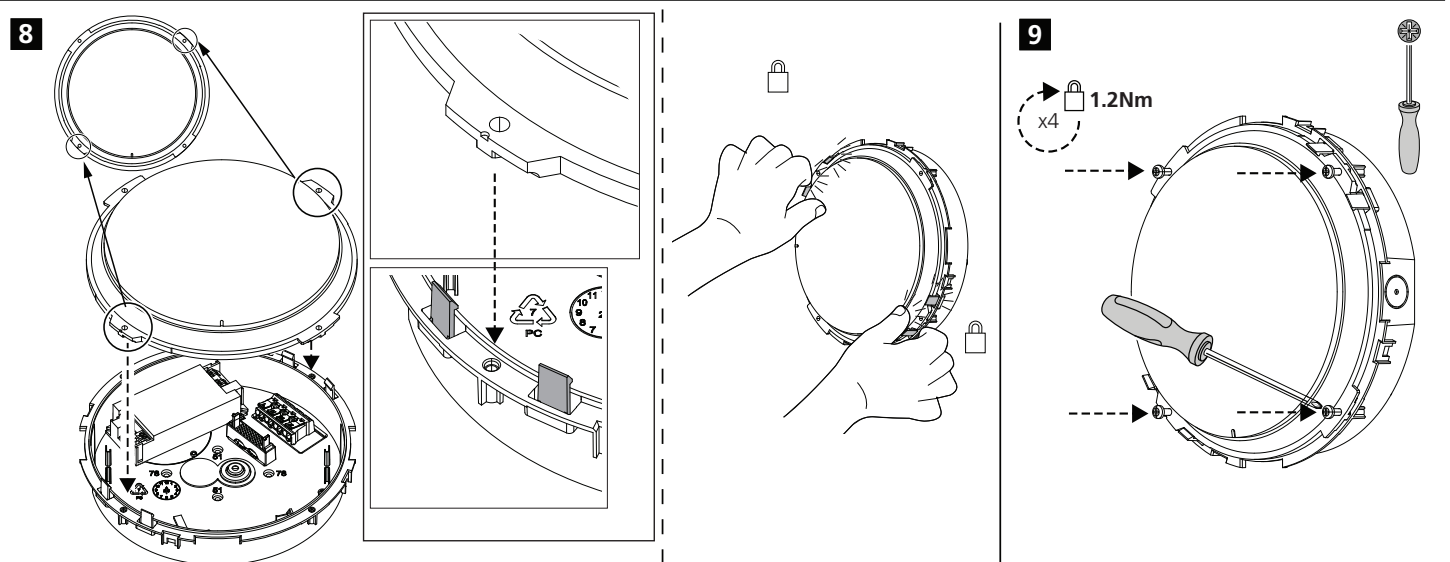
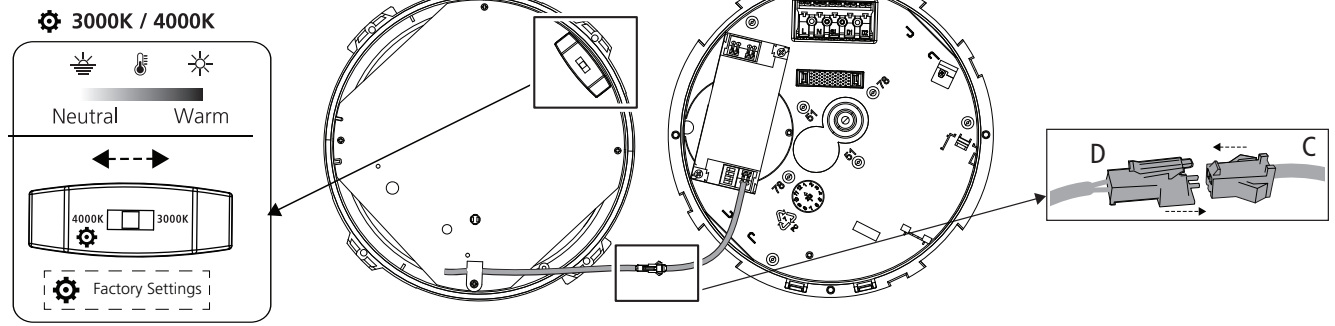
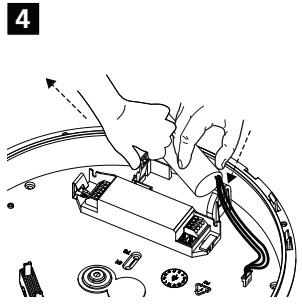
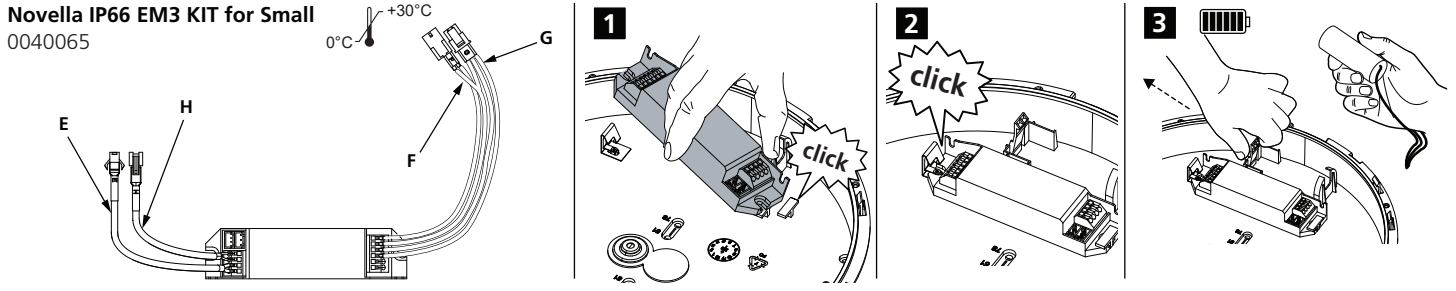


! CCT / Light Output



Novella IP66 EM3 KIT for Small
0040065



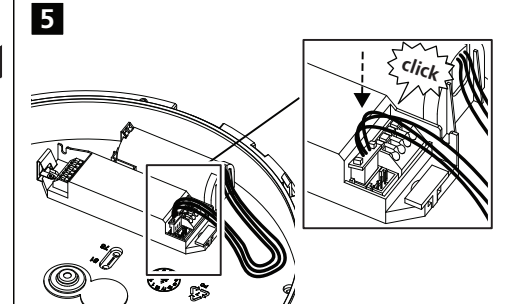
POWERIOD™

Date of Manufacture: _____

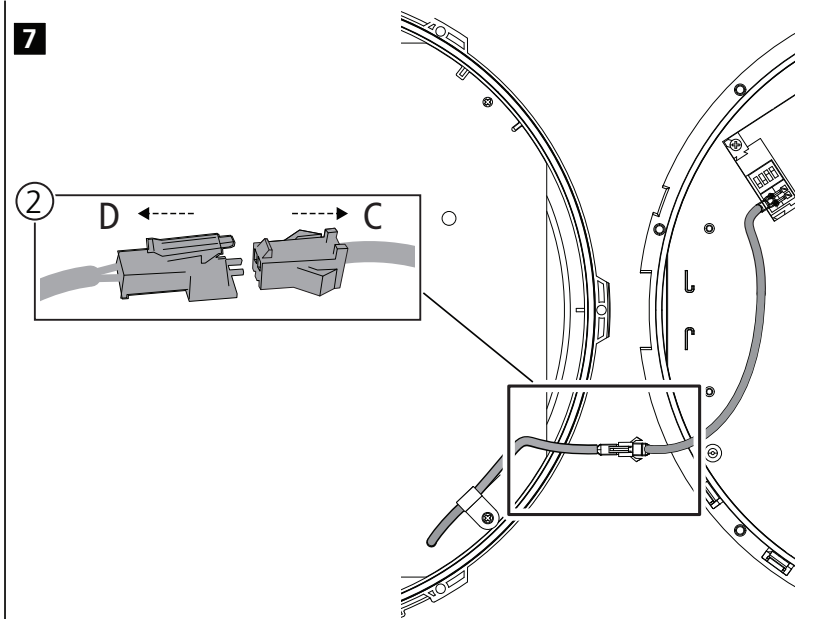
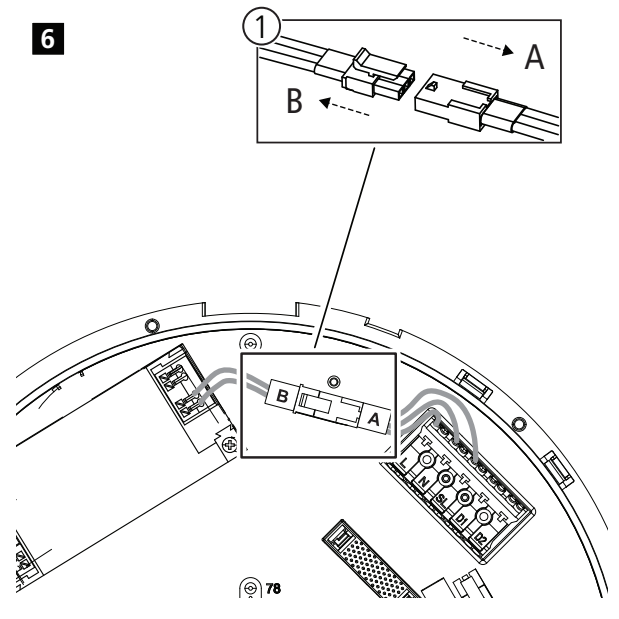
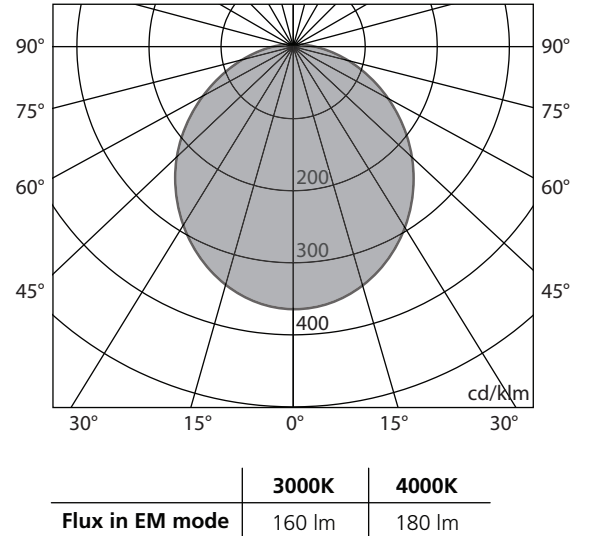
LiFeP04 3.2V 3200mAh 10.24Wh
26650 1FpR27/66-1 L1132NW
21010323210202
Art. No. 28002322

Warning: Do not disassemble, puncture, crush, heat or burn

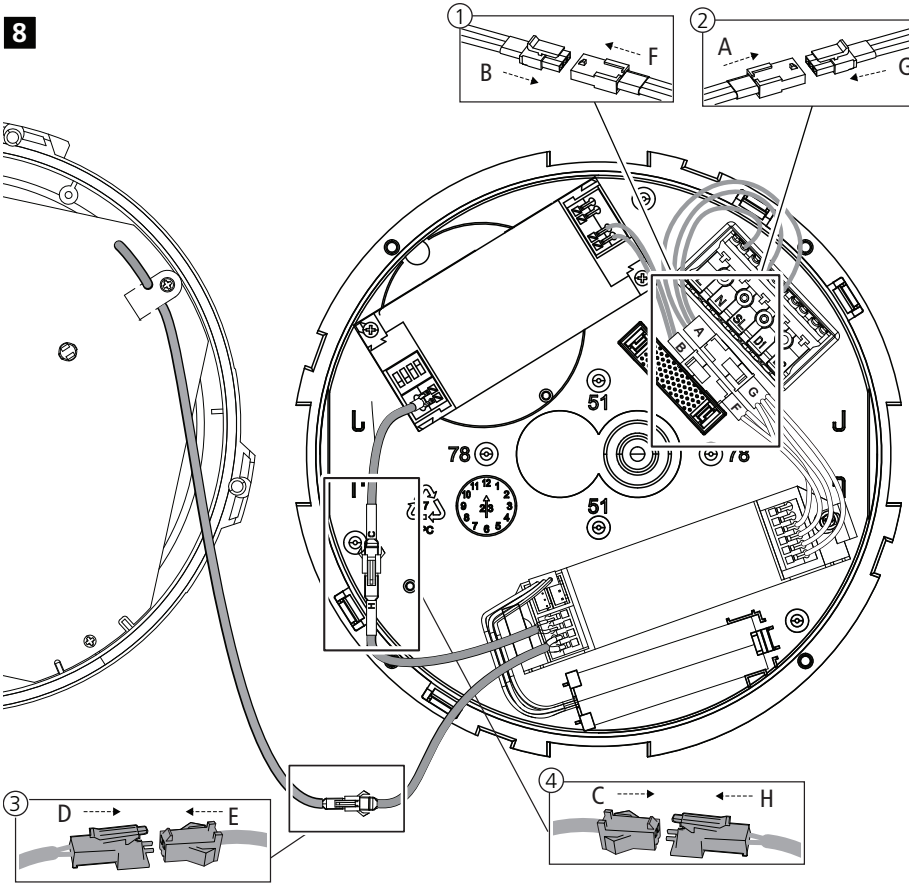
Date of Installation: _____



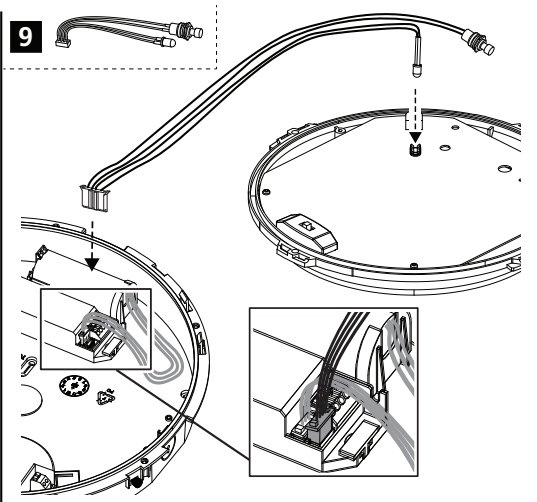
LED INDICATION		STATUS		COMMENT
LED Colour	Status	Flashing		
		ON	OFF	
Green	●	∞	-	Power and System OK
	●	4.0 sec	1.0 sec	Battery Connected and Charging
	●	2.0 sec	2.0 sec	Duration Test in Progress
	●	0.5 sec	0.5 sec	Function Test in Progress
Red	●	4.0 sec	1.0 sec	Battery Temperature Issue
	●	0.5 sec	0.5 sec	Battery Fault
	●●	0.5 sec	0.5 sec	Low Battery
	●●●	0.5 sec	0.5 sec	Charging Fault
	●●●●	0.5 sec	0.5 sec	Driver Fault
	●●●●●	0.5 sec	0.5 sec	Load Fault
Red&Green	●	-	∞	Power off



8

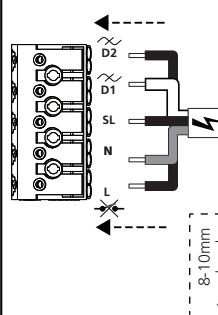


9



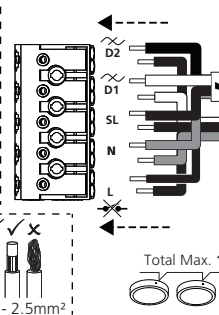
10a

220-240V~ + DALI



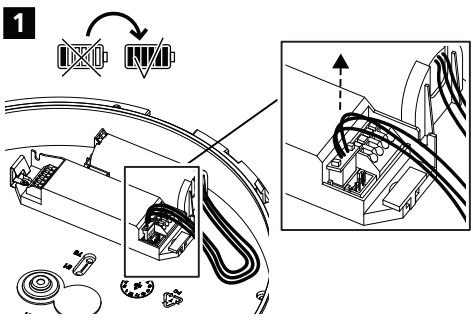
10b

220-240V~ + DALI

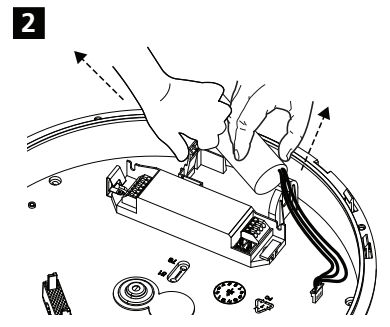


8-10mm
1.00 - 2.5mm²
Total Max. 14 pcs

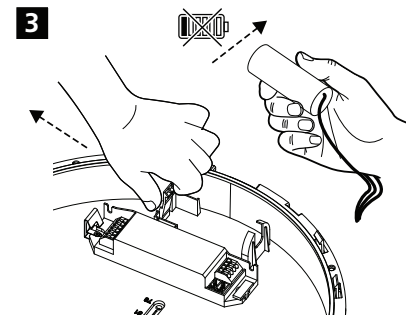
1



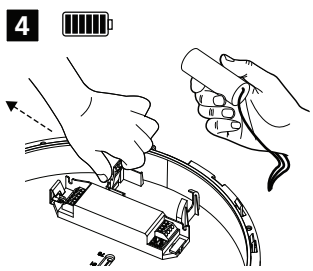
2



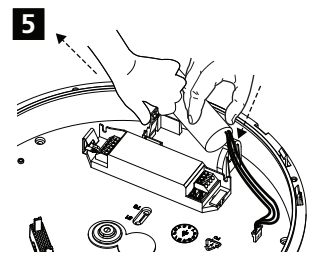
3



4



5



Date of Manufacture

POWERIOD™

LiFeP04 3.2V 3200mAh 10.24Wh
26650 1IFpR27/66-1 L1132NW
21010323210202
Art. No. 28002322

Warning: Do not disassemble, puncture, crush, heat or burn

Date of Installation:

6

