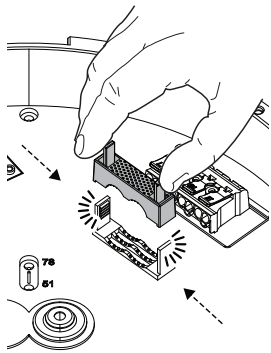
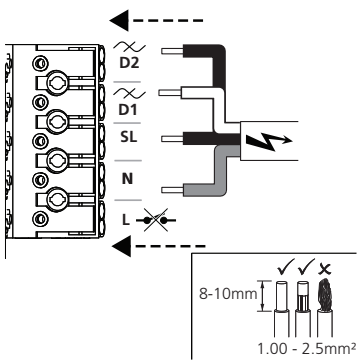


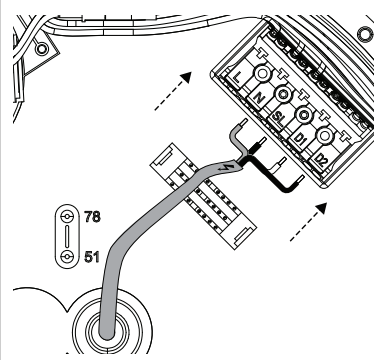
6



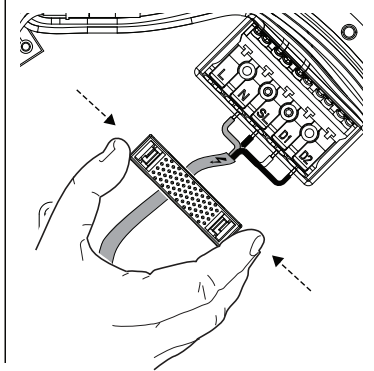
7a ⚡ 220-240V~ + DALI



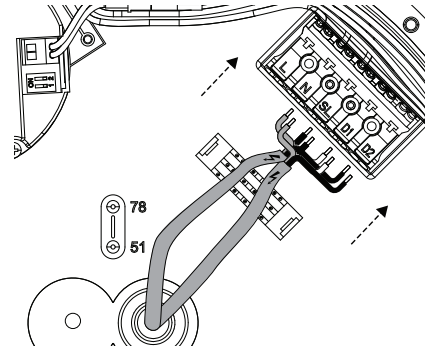
7a ⚡ 220-240V~ + DALI



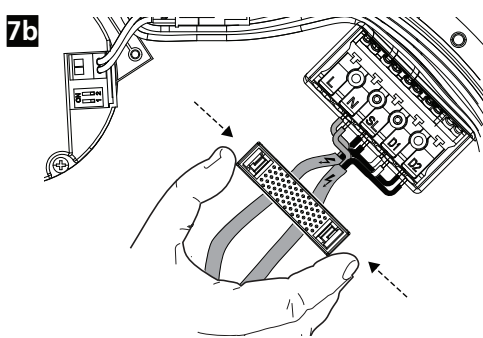
7a



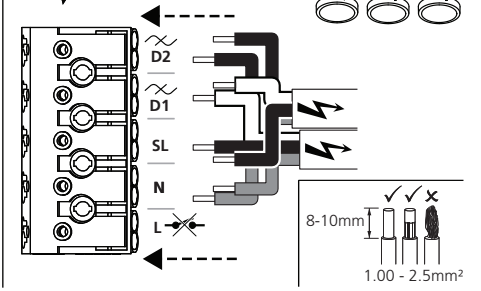
7b



7b



7b ⚡ 220-240V~ + DALI



! CCT / Light Output

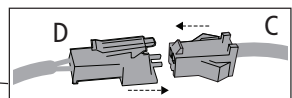
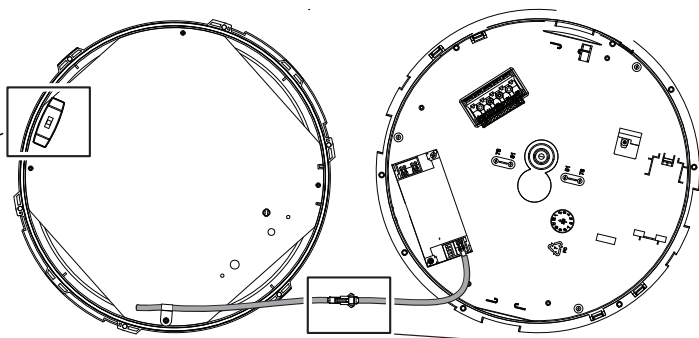
⚙️ 3000K / 4000K

☀️ Neutral ☀️ Warm

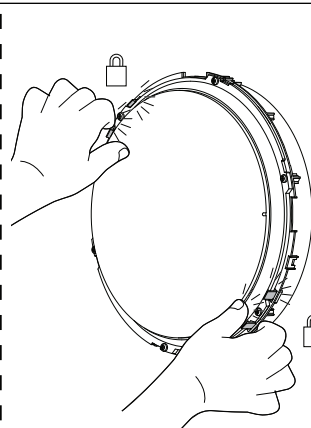
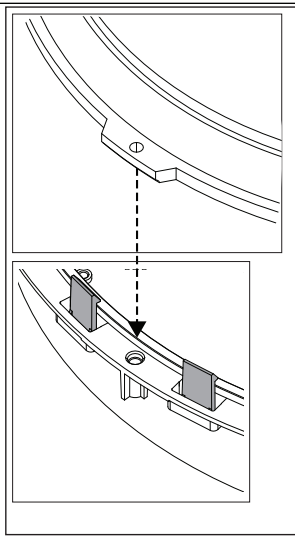
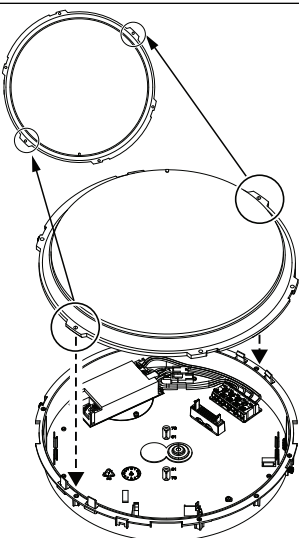
↔️

4000K 3000K

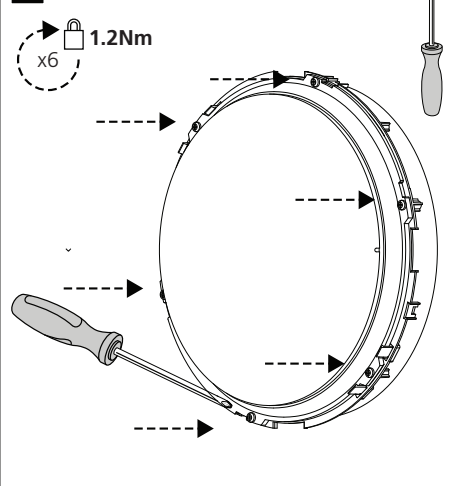
⚙️ Factory Settings



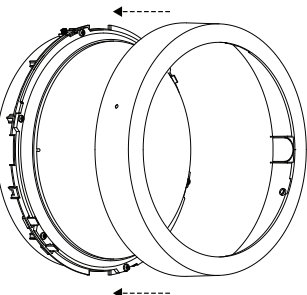
8



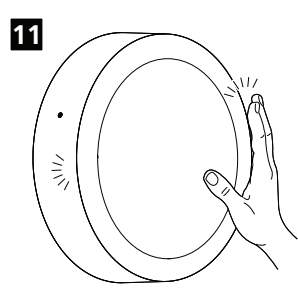
9



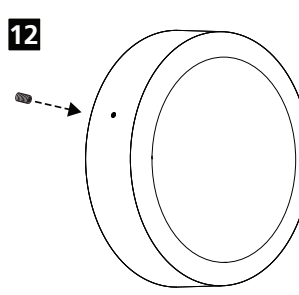
10



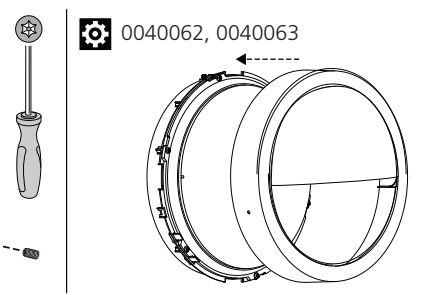
11



12

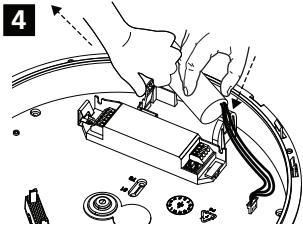
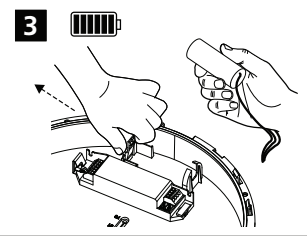
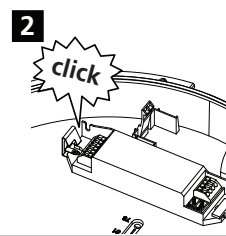
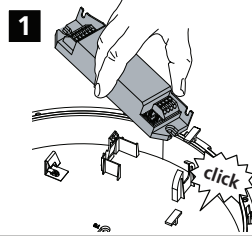
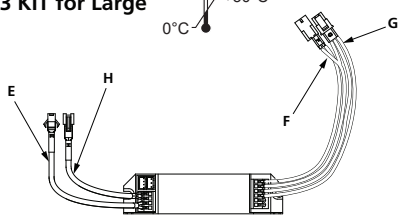


2x



Novella IP66 EM3 KIT for Large
0040066

0°C — +30°C



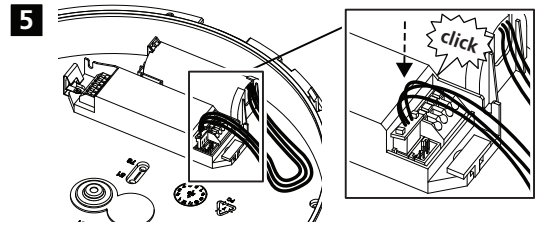
POWERIOD™

Date of Manufacture: _____

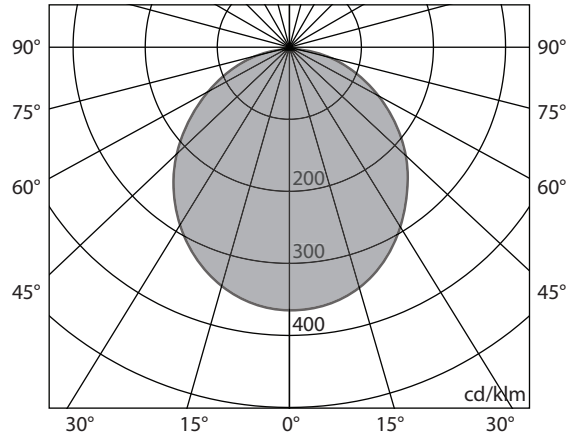
LiFePO4 3.2V 3200mAh 10.24Wh
29650 11FpR27/66-1 L1132NW
21010323210202
Art. No. 28002322

Warning: Do not disassemble, puncture, crush, heat or burn

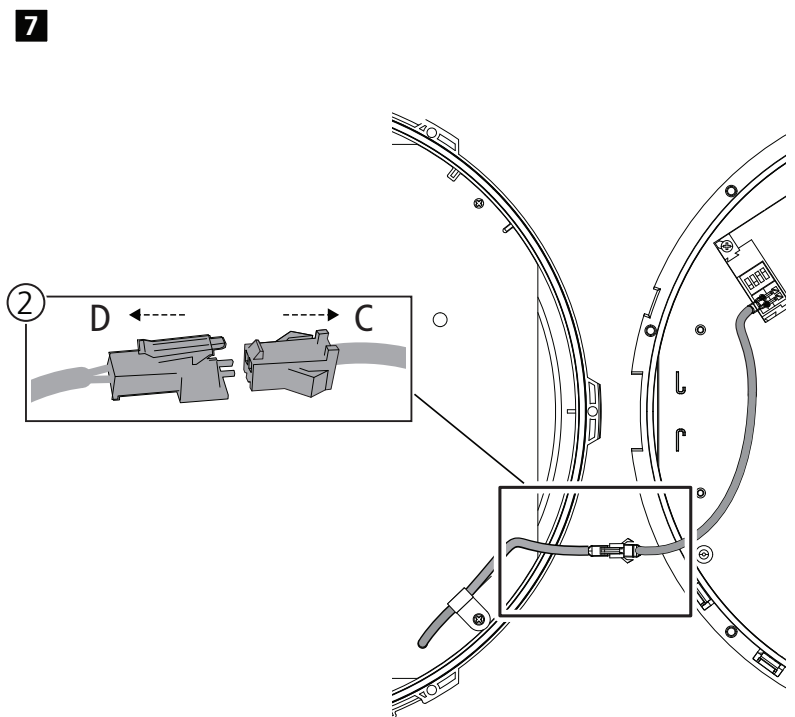
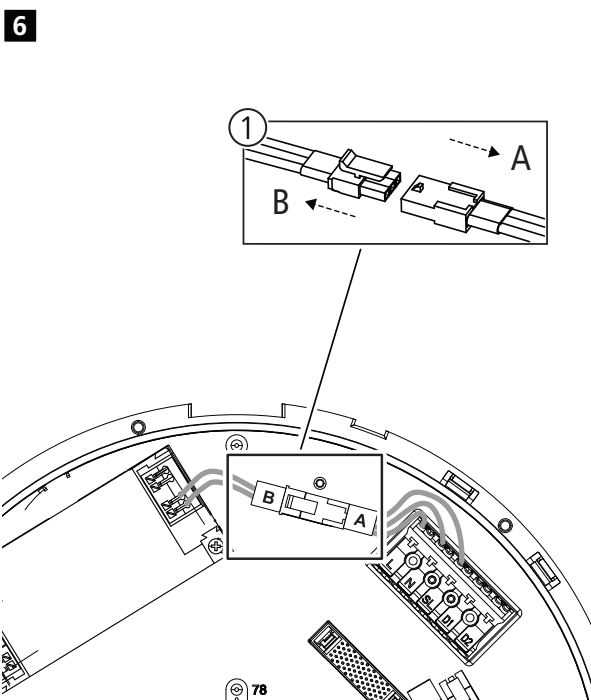
Date of Installation: _____



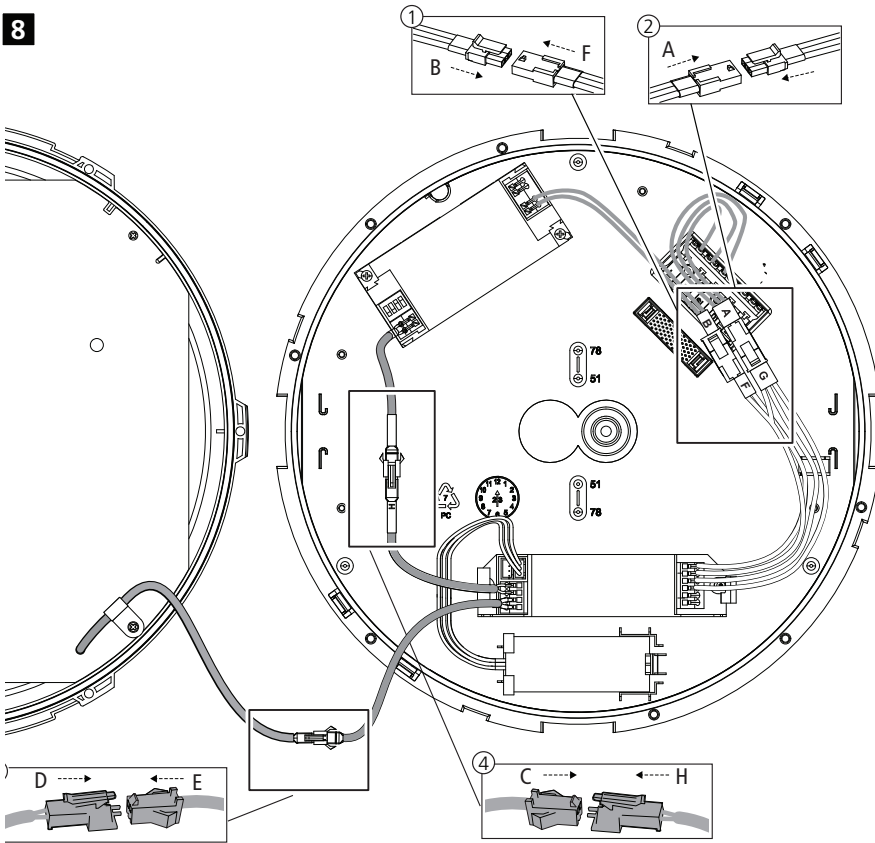
LED INDICATION		STATUS		COMMENT
LED Colour	Status	Flashing		
Green	●	∞	-	Power and System OK
	●	4.0 sec	1.0 sec	Battery Connected and Charging
	●	2.0 sec	2.0 sec	Duration Test in Progress
	●	0.5 sec	0.5 sec	Function Test in Progress
Red	●	4.0 sec	1.0 sec	Battery Temperature Issue
	●	0.5 sec	0.5 sec	Battery Fault
	●●	0.5 sec	0.5 sec	Low Battery
	●●●	0.5 sec	0.5 sec	Charging Fault
	●●●●	0.5 sec	0.5 sec	Driver Fault
	●●●●●	0.5 sec	0.5 sec	Load Fault
Red&Green	●	-	∞	Power off



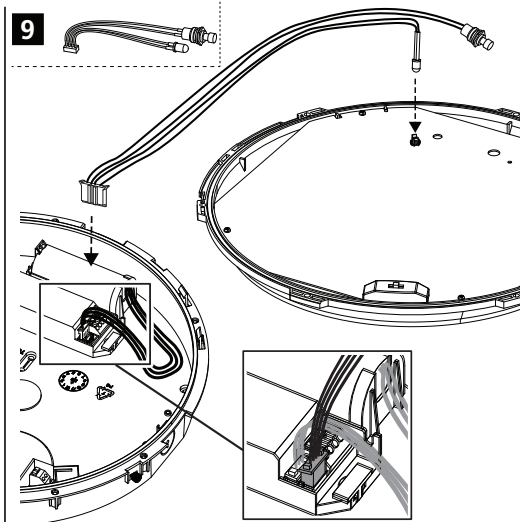
	3000K	4000K
Flux in EM mode	290 lm	300 lm



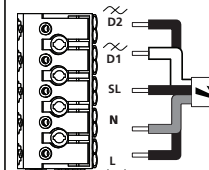
8



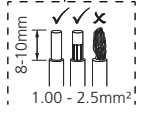
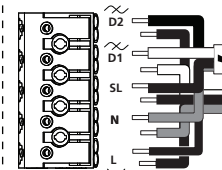
9



10a ⚡ 220-240V~ + DALI

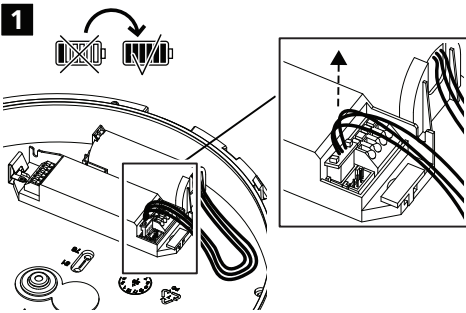


10a ⚡ 220-240V~ + DALI

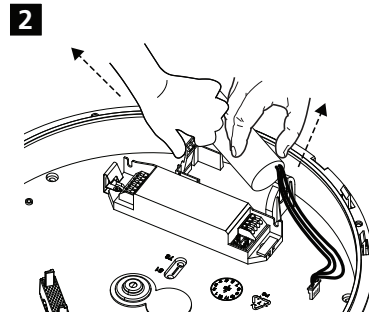


Total Max. 9 pcs

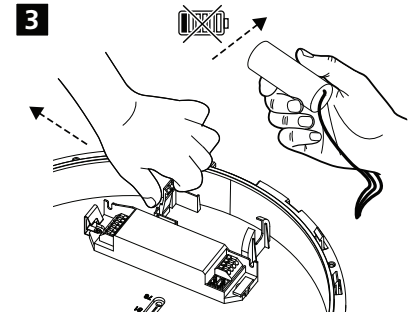
1



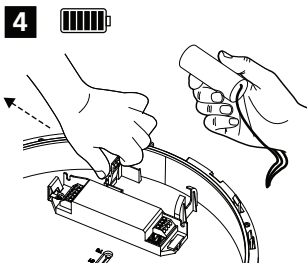
2



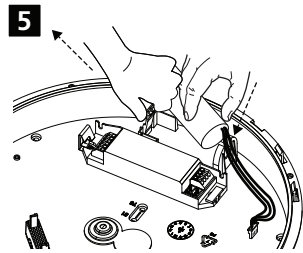
3



4



5



POWERIOD™

LiFeP04 3.2V 3200mAh 10.24Wh
26650 11FpR27/66-1 L1132NW
21010323210202
Art. No. 28002322

Date of Manufacture

Date of Installation:

Warning: Do not disassemble, puncture, crush, heat or burn

6

