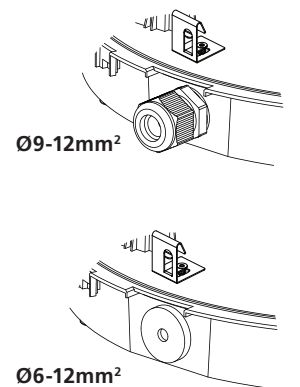
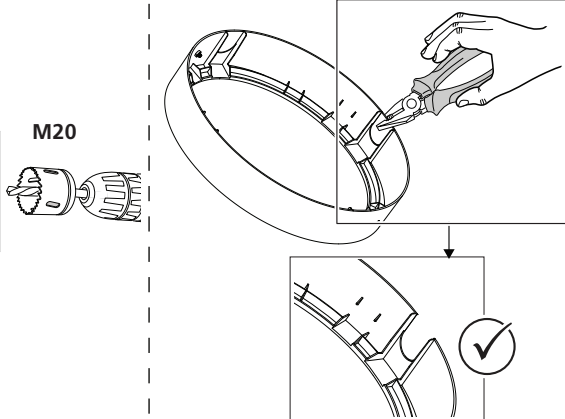
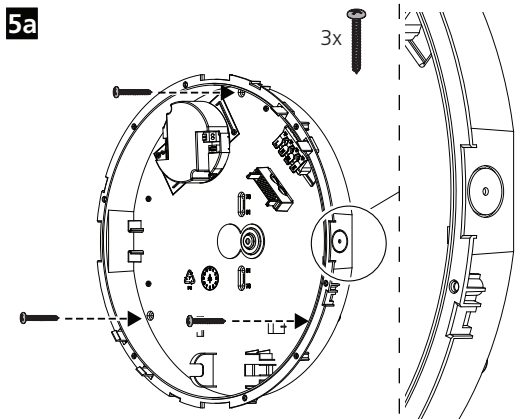
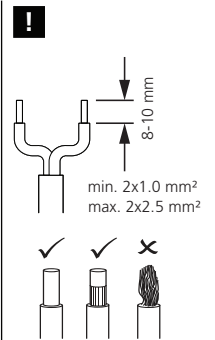
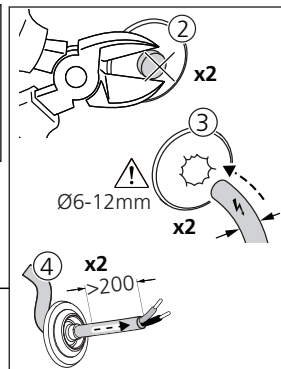
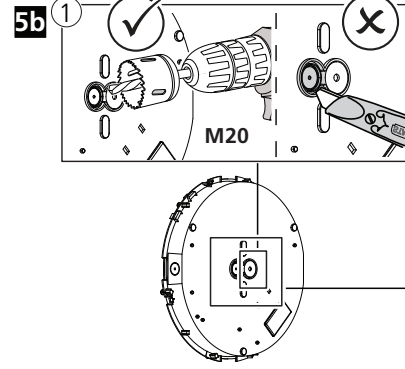
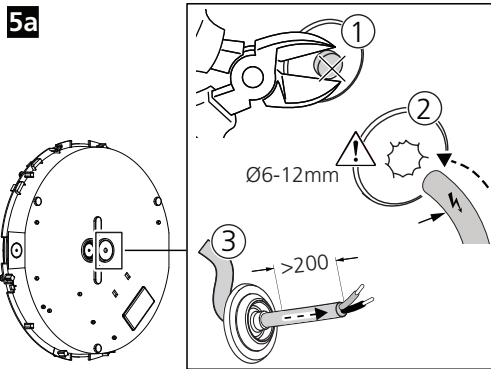
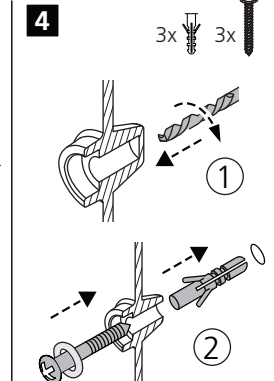
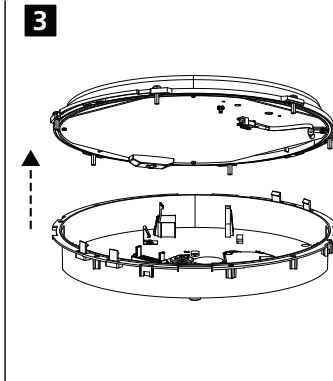
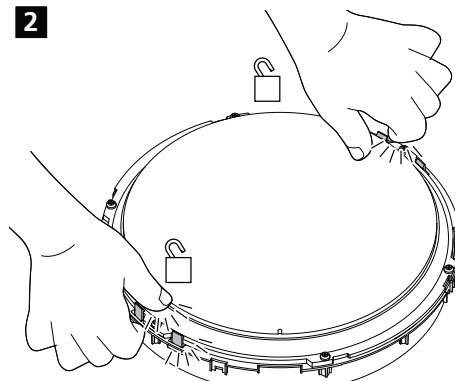
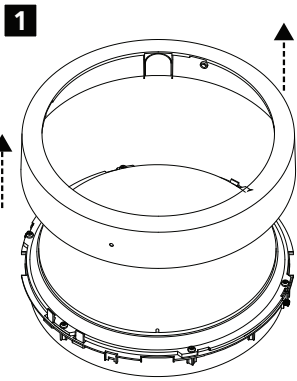
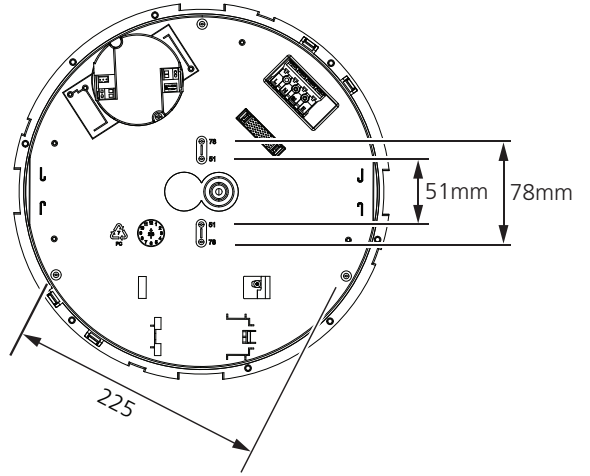
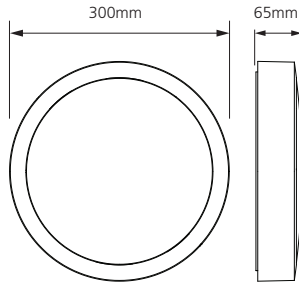
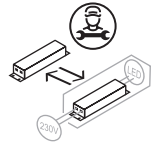
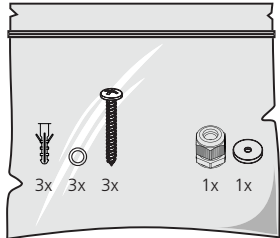
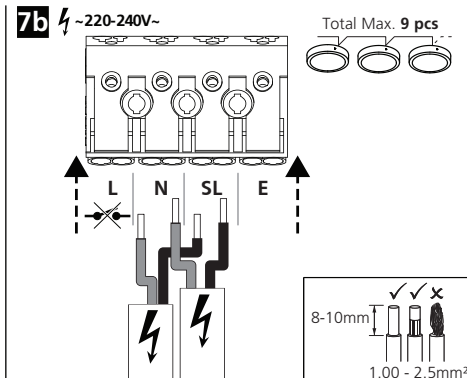
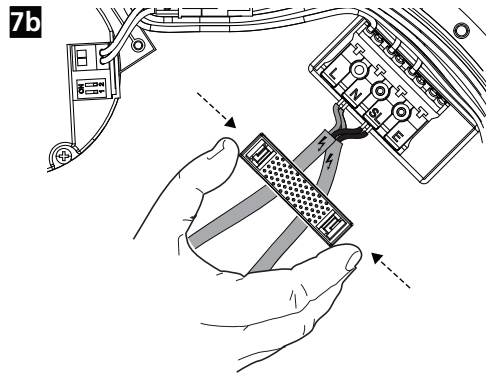
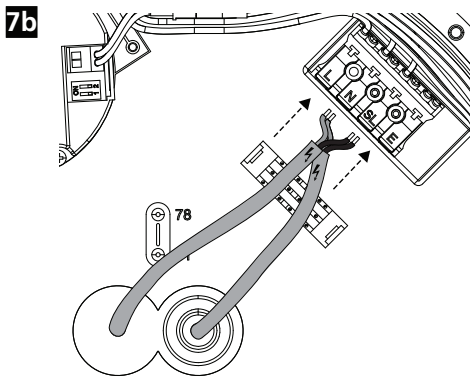
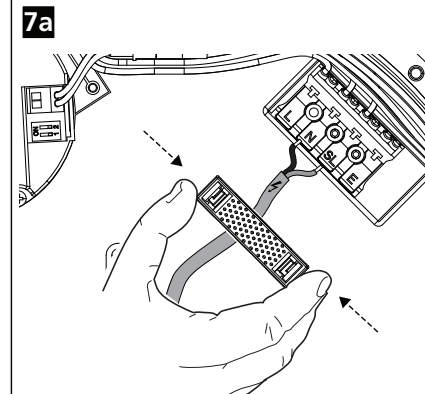
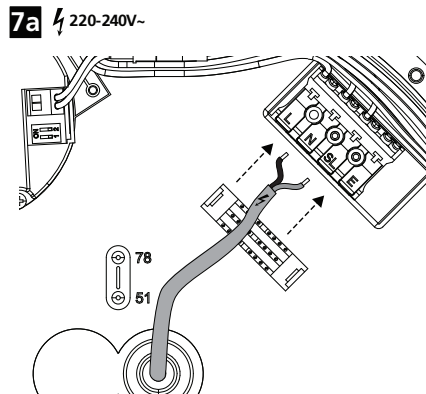
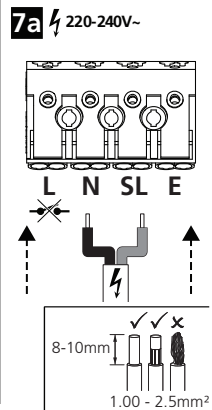
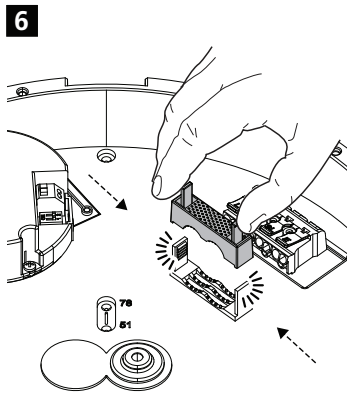


~ 220-240 V 50/60 Hz



-20°C 45°C





! CCT / Light Output

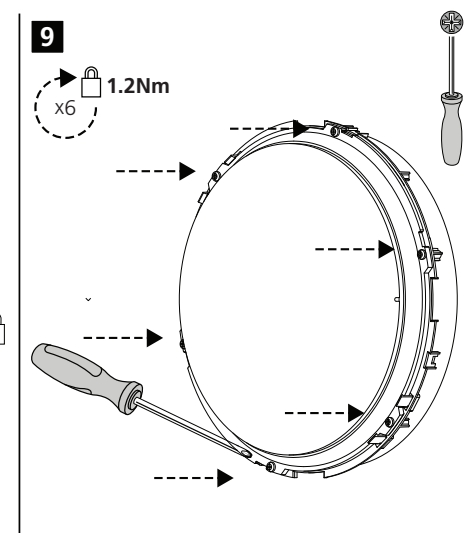
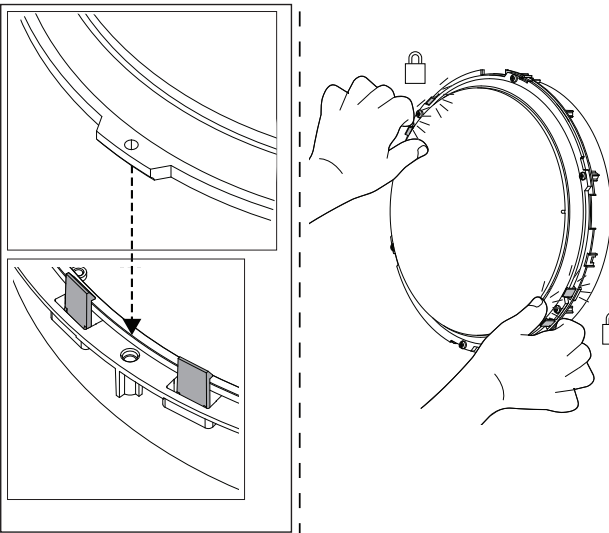
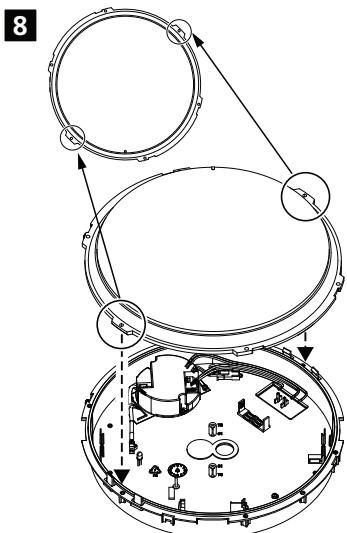
⚙️ 3000K / 4000K

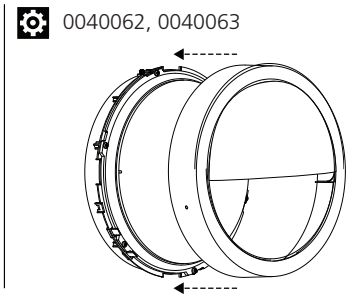
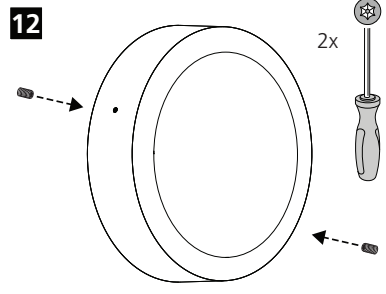
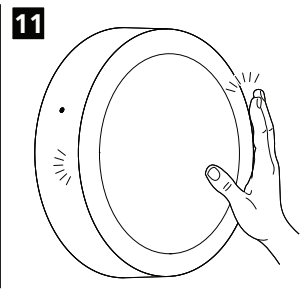
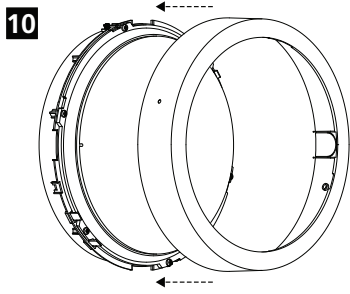
Neutral — Warm

⚙️ Light Output

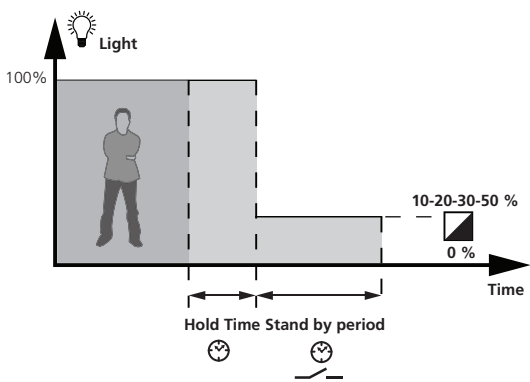
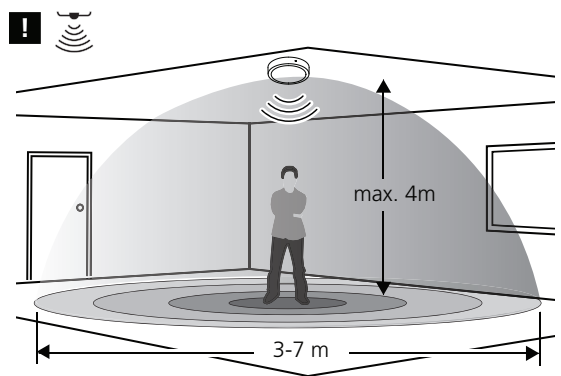
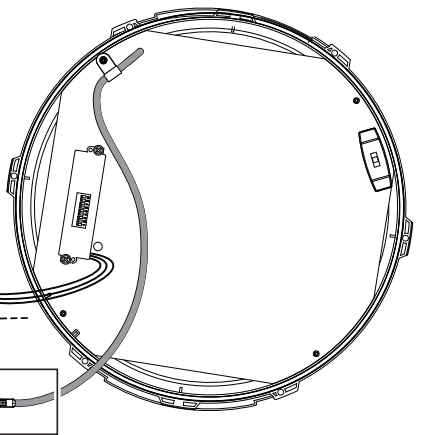
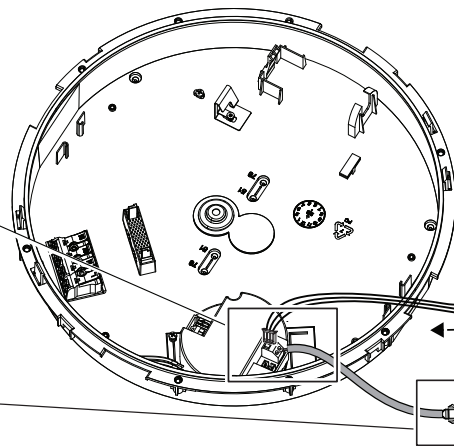
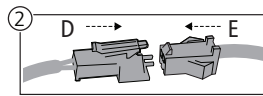
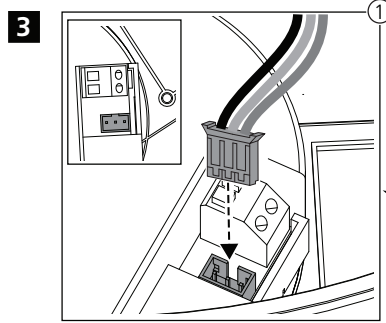
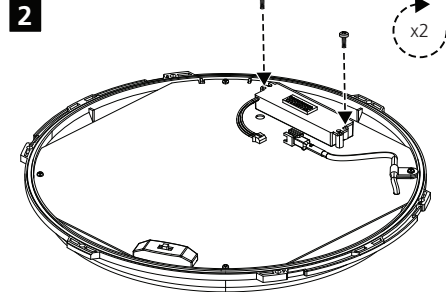
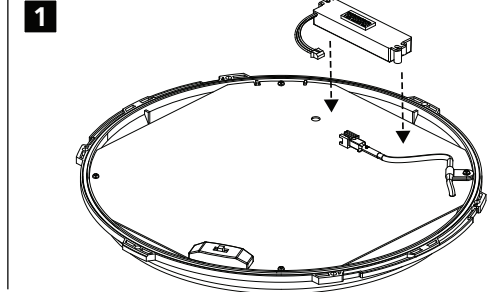
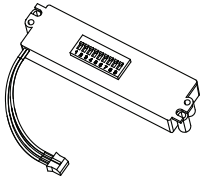
		0040051, 0040053		0040151, 0040153		
1	2	mA	3000K [lm]	4000K [lm]	3000K [lm]	4000K [lm]
○	○	175	1025	1125	1050	1150
○	●	330	1900	2050	1925	2100
●	●	450	2525	2750 ⚙️	2550	2800 ⚙️

⚙️ Factory Settings 1





Novella IP66 MW Corridor KIT
0040064



!

Detection Area

1	●	100%
II	○	50%

Hold-Time

2	3	☺
I	●●	5s
II	●○	30s
III	○●	1min
IV	○○	10min

Daylight Threshold

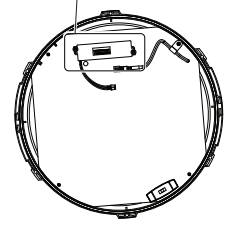
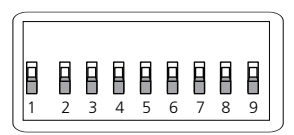
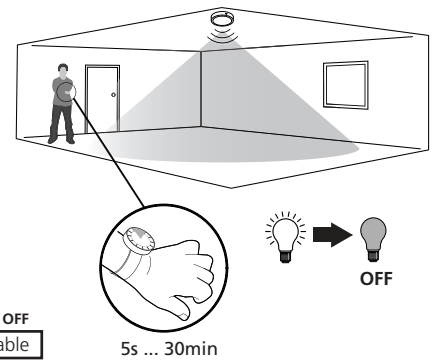
4	5	LUX ON	LUX OFF
I	●●	Disable	Disable
II	●○	50lux	100lux
III	○●	10lux	100lux
IV	○○	2lux	100lux

Stand-by period

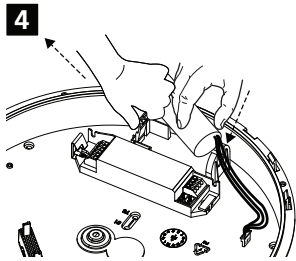
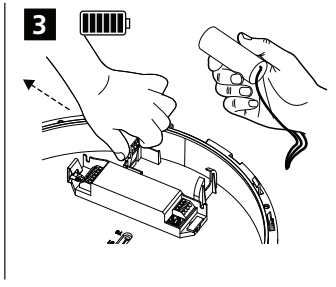
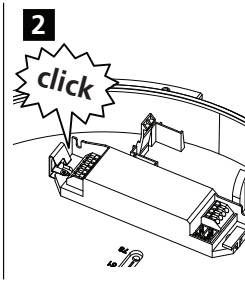
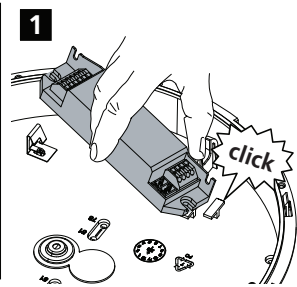
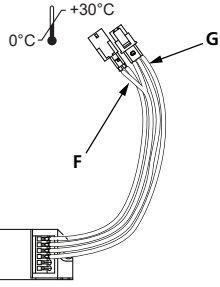
6	7	☺
I	●●	0s
II	●○	30s
III	○●	20min
IV	○○	+∞

Stand-by dimming level

8	9	
I	●●	10%
II	●○	20%
III	○●	30%
IV	○○	50%



Novella IP66 EM3 KIT for Large
0040066

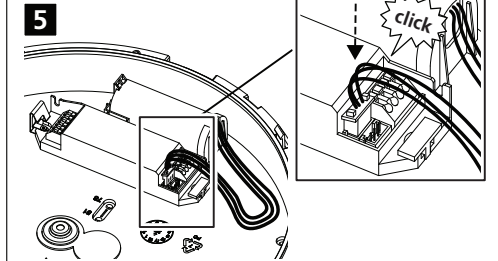


POWERIOD™

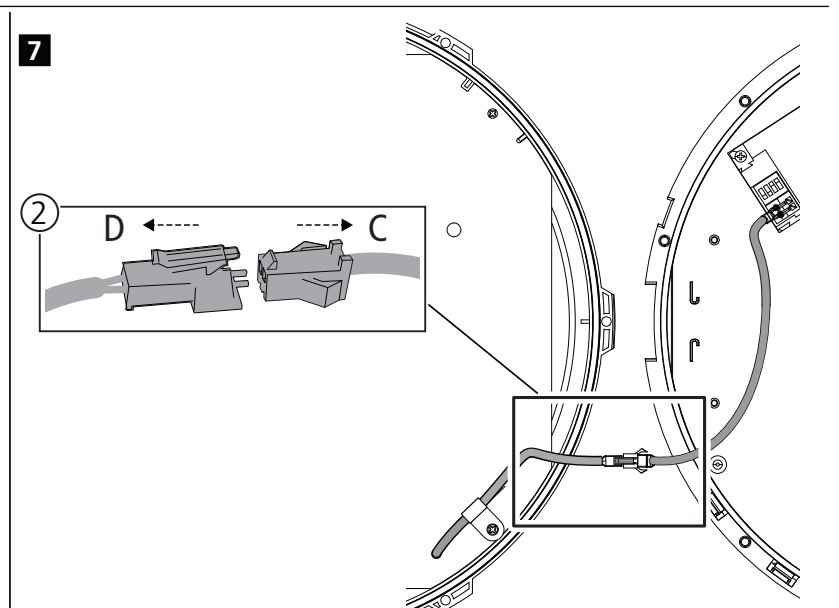
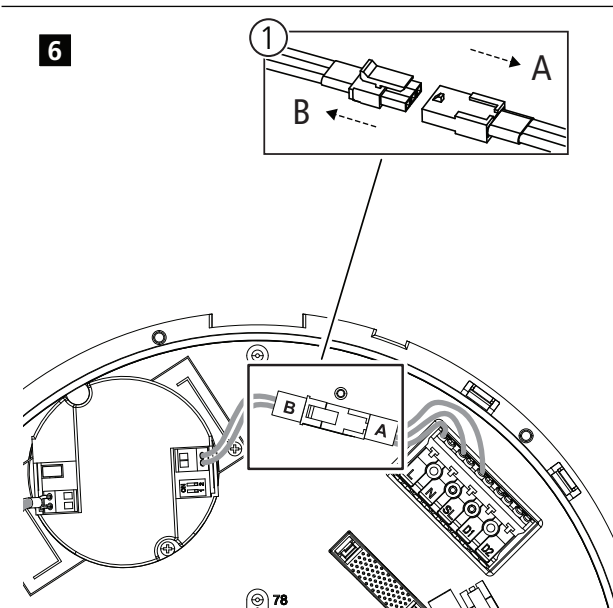
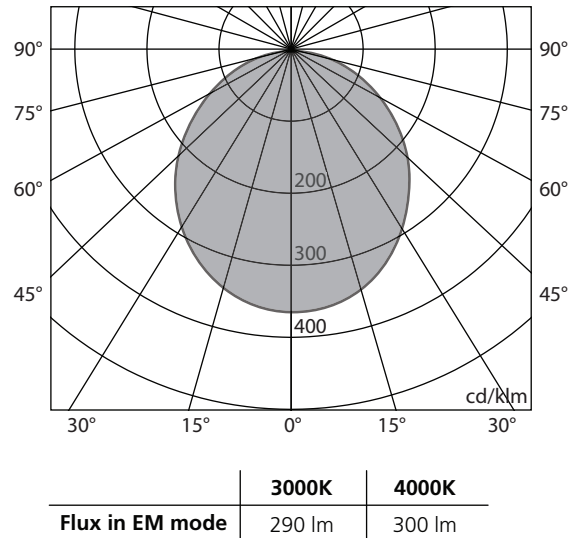
Date of Manufacture: _____ Date of Installation: _____

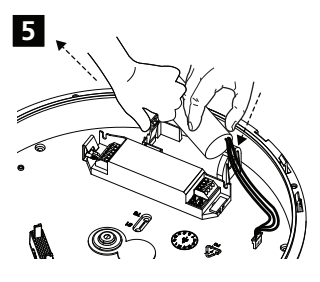
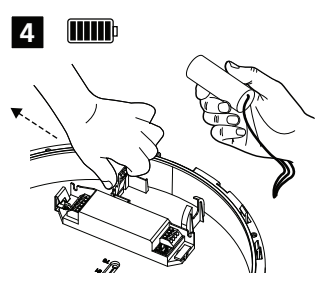
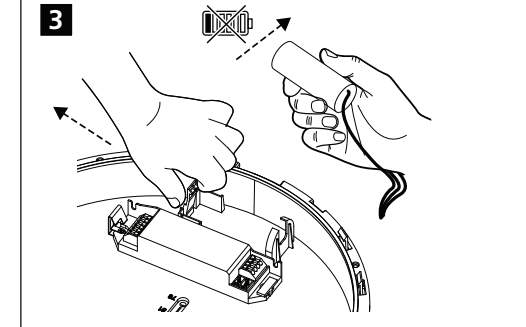
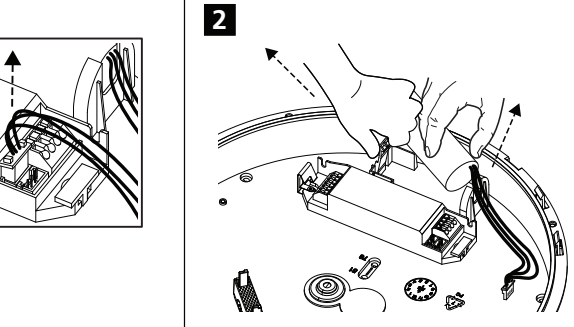
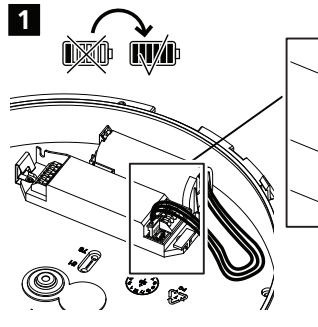
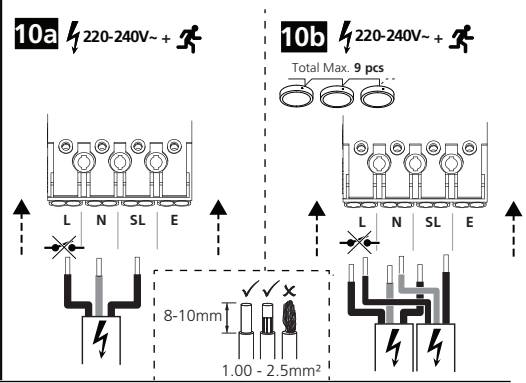
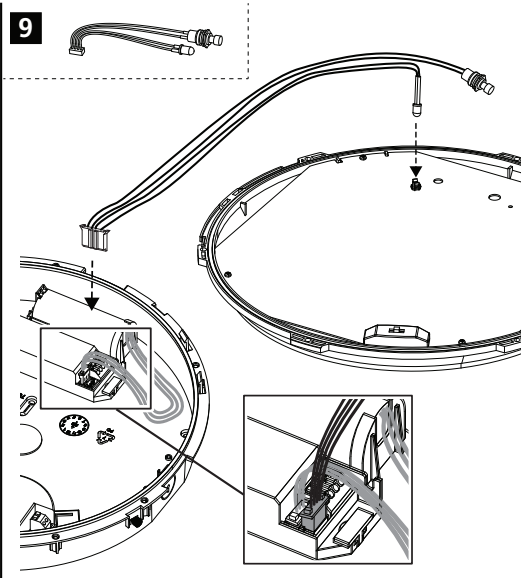
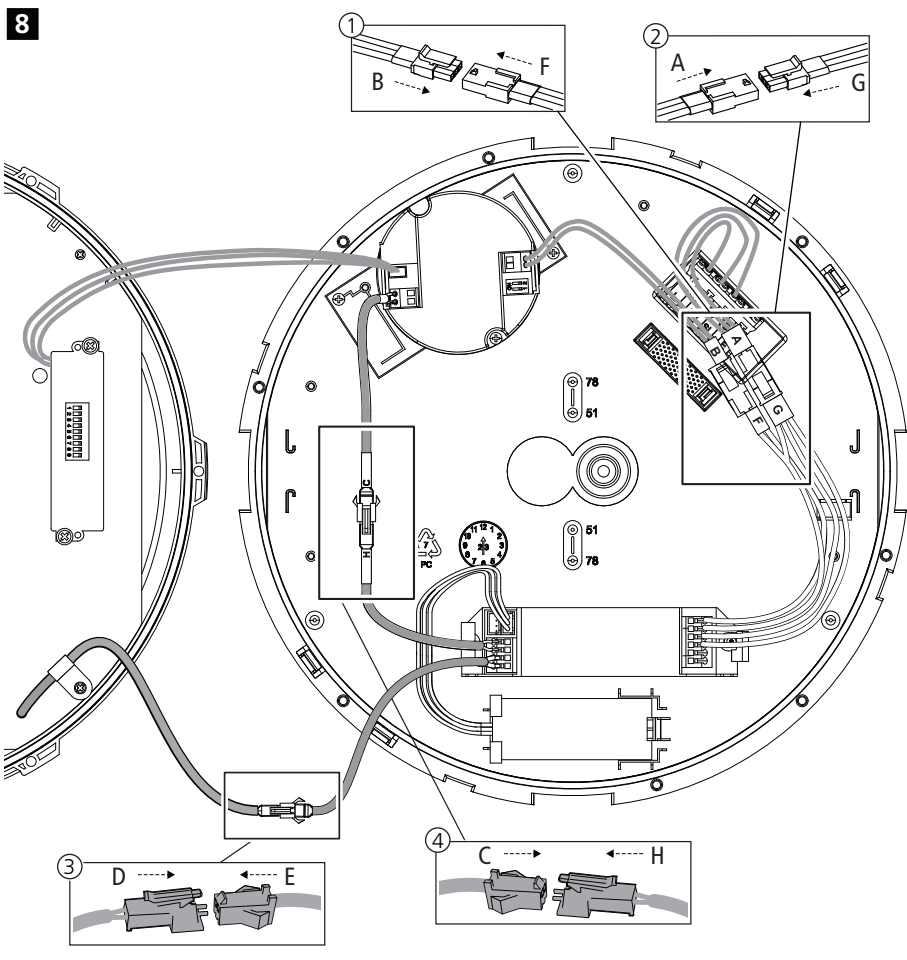
LiFeP04 3.2V 3200mAh 10.24Wh
26650 11FpR27/66-1 L1132NW
21010323210202
Art. No. 28002322

Warning: Do not disassemble, puncture, crush, heat or burn



LED Colour	LED INDICATION Status	STATUS Flashing		COMMENT
		ON	OFF	
Green	●	∞	-	Power and System OK
	●	4.0 sec	1.0 sec	Battery Connected and Charging
	●	2.0 sec	2.0 sec	Duration Test in Progress
	●	0.5 sec	0.5 sec	Function Test in Progress
Red	●	4.0 sec	1.0 sec	Battery Temperature Issue
	●	0.5 sec	0.5 sec	Battery Fault
	●●	0.5 sec	0.5 sec	Low Battery
	●●●	0.5 sec	0.5 sec	Charging Fault
	●●●●	0.5 sec	0.5 sec	Driver Fault
	●●●●●	0.5 sec	0.5 sec	Load Fault
Red&Green	●	-	∞	Power off





Date of Manufacture

POWERIOD™

LiFeP04 3.2V 3200mAh 10.24Wh
 26650 1FpR27/66-1 L1132NW
 21010323210202
 Art. No. 28002322

Date of Installation:

Warning: Do not disassemble, puncture, crush, heat or burn

