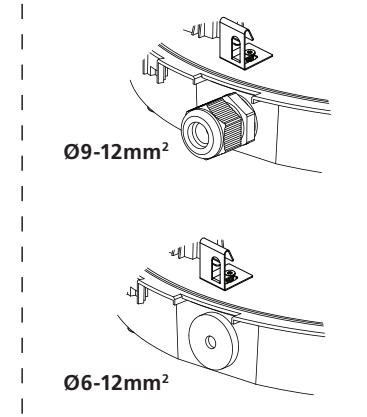
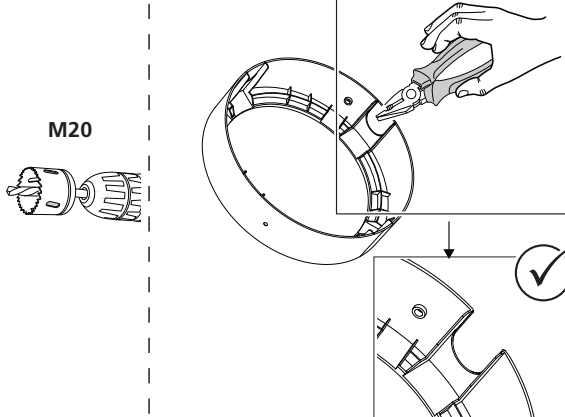
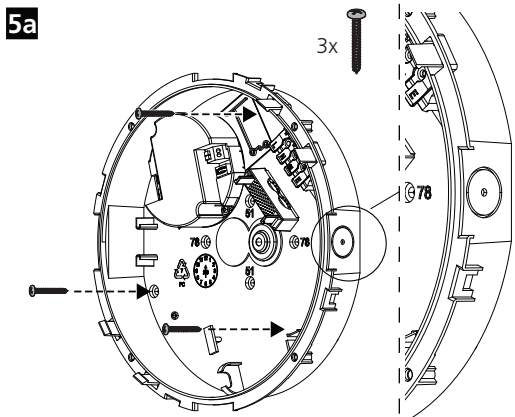
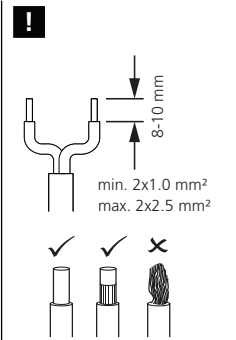
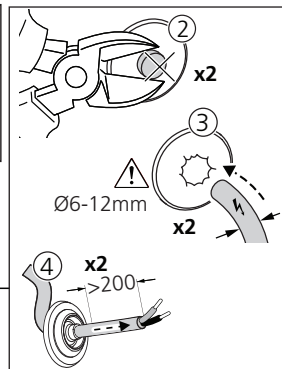
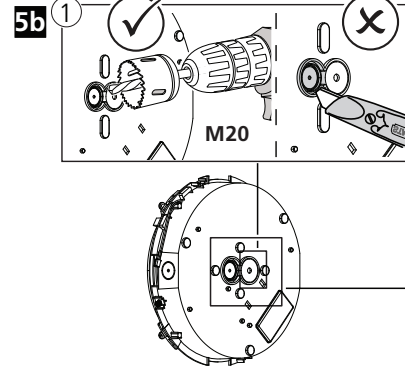
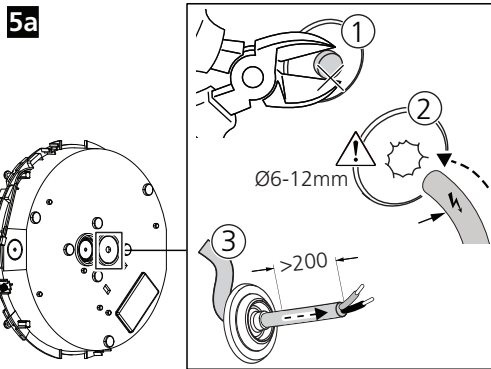
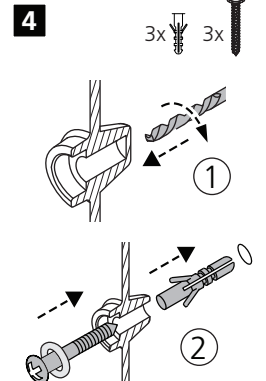
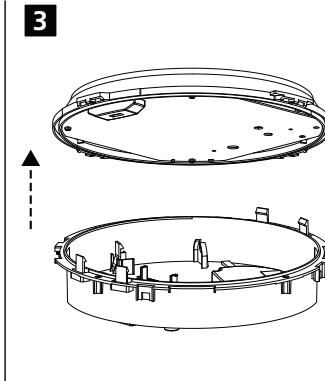
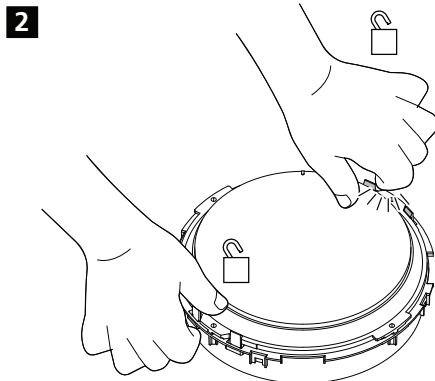
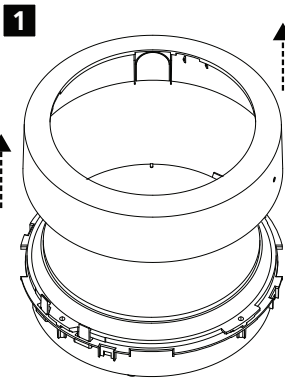
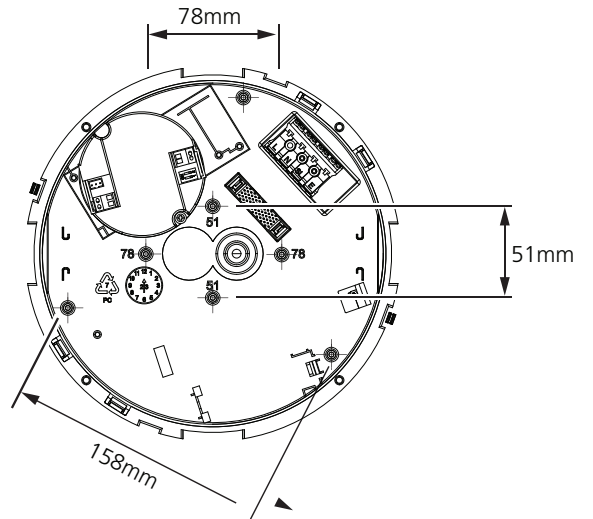
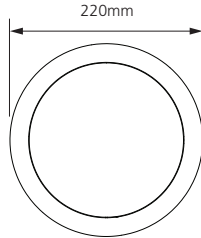
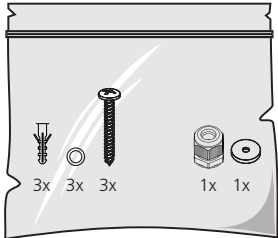
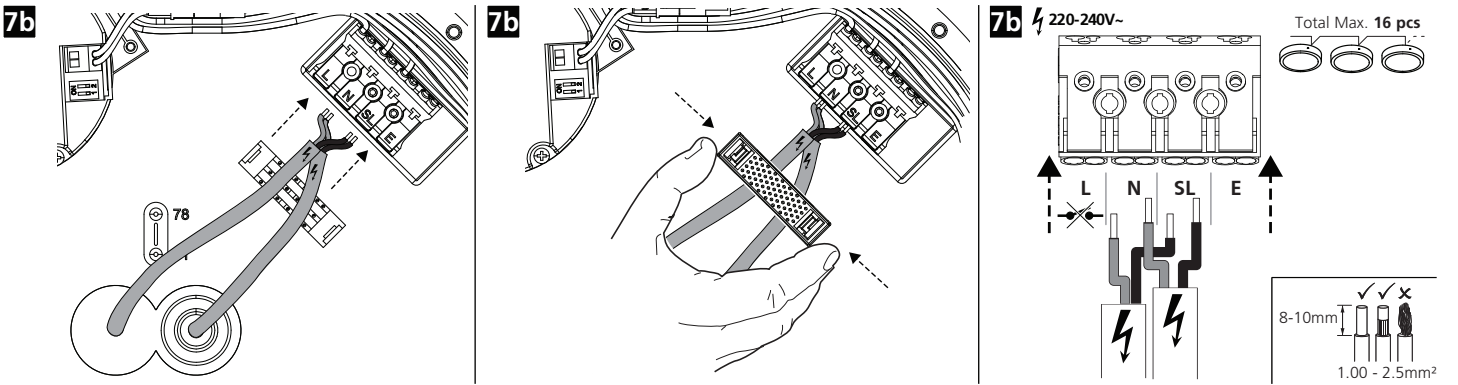
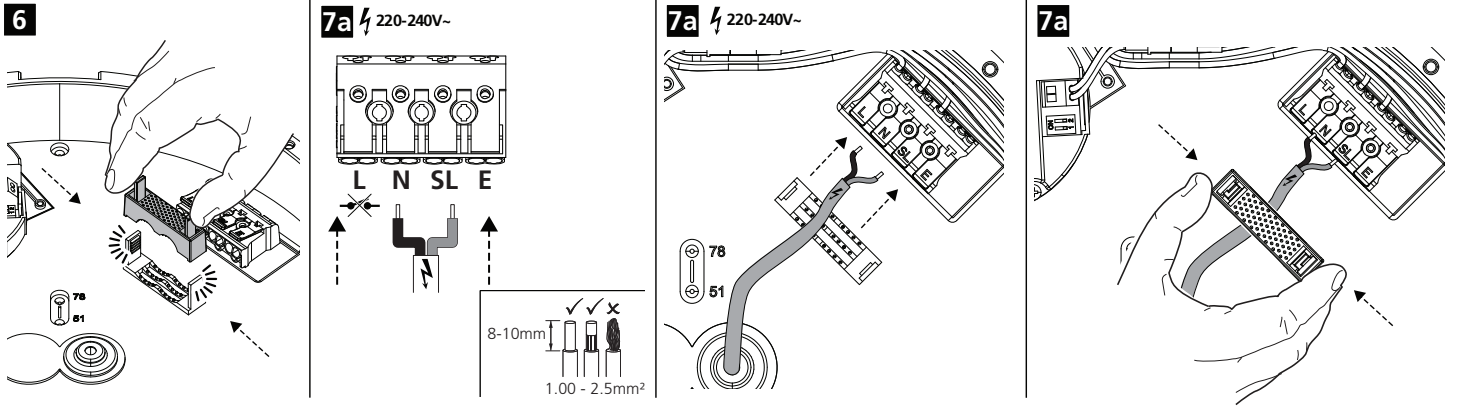


~ 220-240 V 50/60 Hz



-20°C 45°C





! CCT / Light Output

⚙️ Light Output

⚙️ 3000K / 4000K

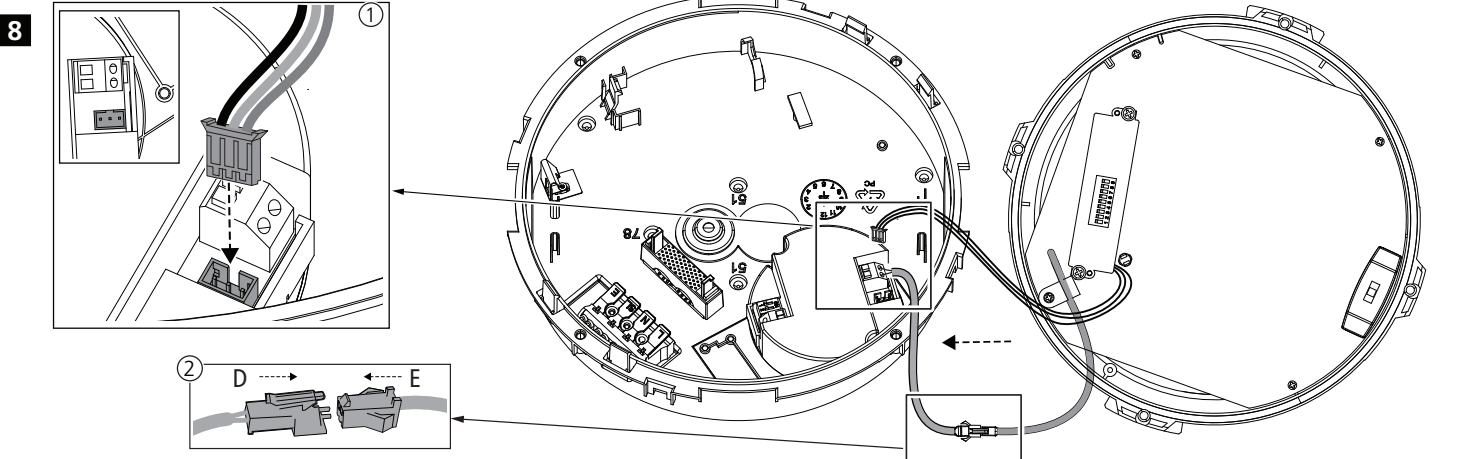
Neutral Warm

4000K 3000K

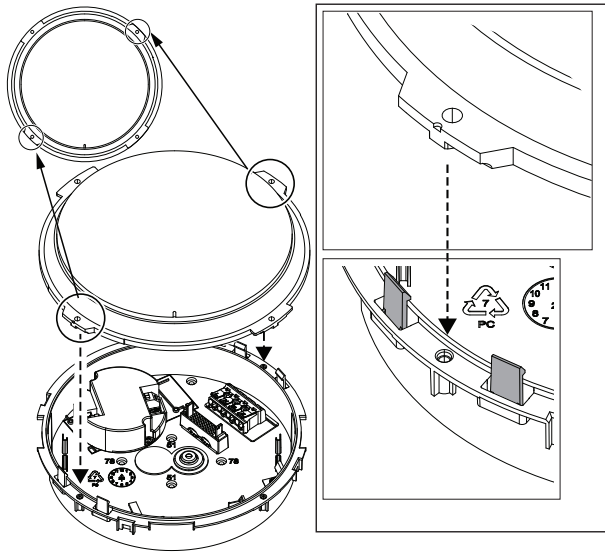
ON
1 2

		0040050, 0040052		0040150, 0040152		
1	2	mA	3000K [lm]	4000K [lm]	3000K [lm]	4000K [lm]
○	○	125	720	780	740	800
○	●	170	960	1025	980	1050
●	●	260	1425	1525 ⚙️	1450	1550 ⚙️

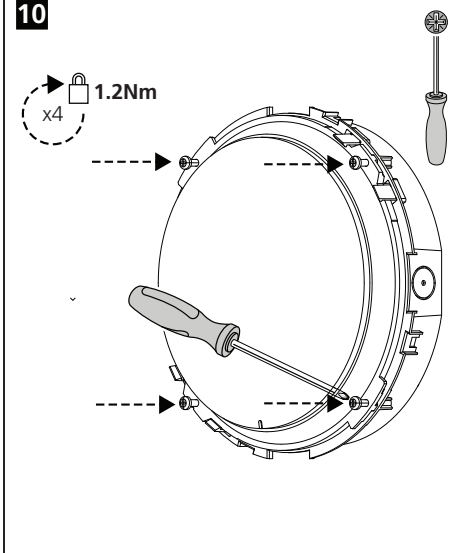
⚙️ Factory Settings



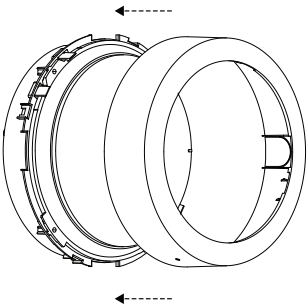
9



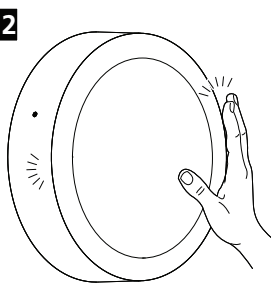
10



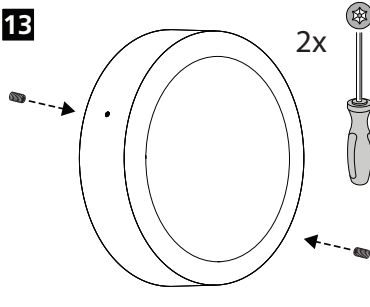
11



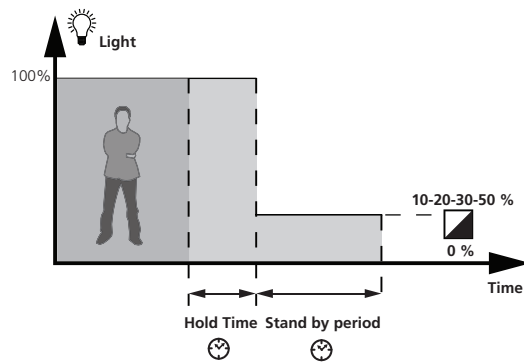
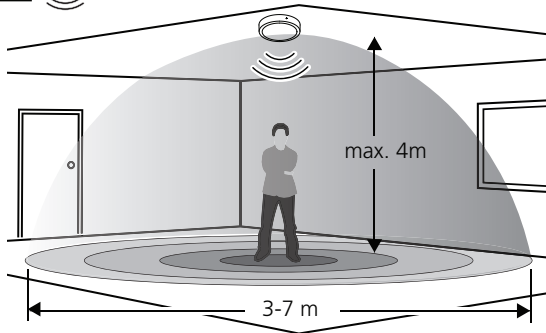
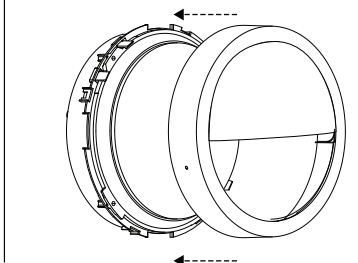
12



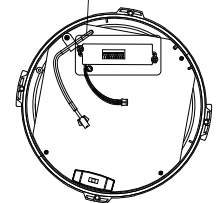
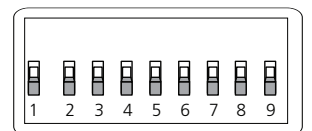
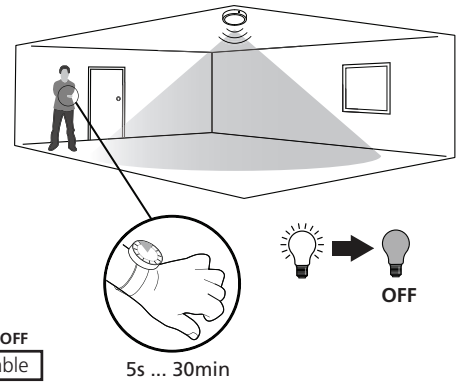
13



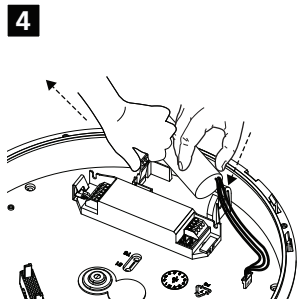
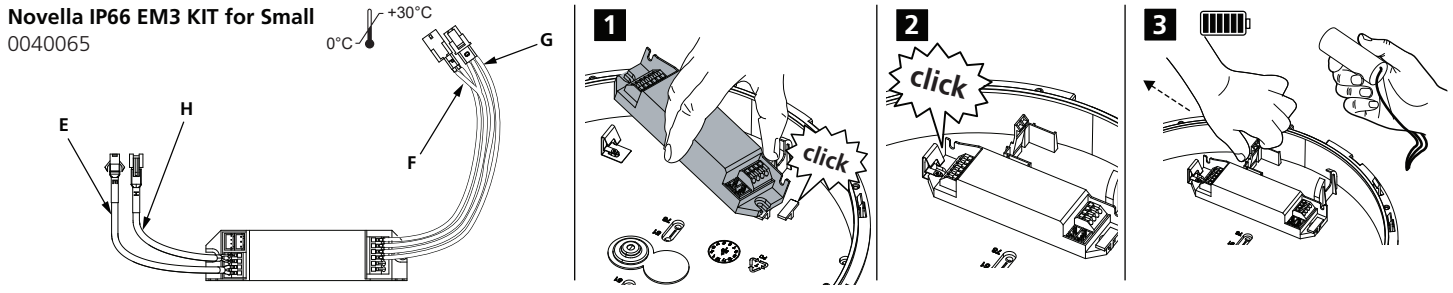
0040060, 0040061



- ON ●
 - ▲
 -
 - ▼
 -
 - OFF
- Detection Area**
- | | | |
|-----|---|------|
| | 1 | |
| → I | ● | 100% |
| II | ○ | 50% |
- Hold-Time**
- | | | | |
|------|---|---|-------|
| | 2 | 3 | ⊙ |
| I | ● | ● | 5s |
| → II | ● | ○ | 30s |
| III | ○ | ● | 1min |
| IV | ○ | ○ | 10min |
- Daylight Threshold**
- | | | | | |
|-----|---|---|---------|---------|
| | 4 | 5 | LUX ON | LUX OFF |
| → I | ● | ● | Disable | Disable |
| II | ● | ○ | 50lux | 100lux |
| III | ○ | ● | 10lux | 100lux |
| IV | ○ | ○ | 2lux | 100lux |
- Stand-by period**
- | | | | |
|-------|---|---|-------|
| | 6 | 7 | ⊙ |
| I | ● | ● | 0s |
| II | ● | ○ | 30s |
| → III | ○ | ● | 20min |
| IV | ○ | ○ | + ∞ |
- Stand-by dimming level**
- | | | | |
|-----|---|---|-----|
| | 8 | 9 | |
| → I | ● | ● | 10% |
| II | ● | ○ | 20% |
| III | ○ | ● | 30% |
| IV | ○ | ○ | 50% |



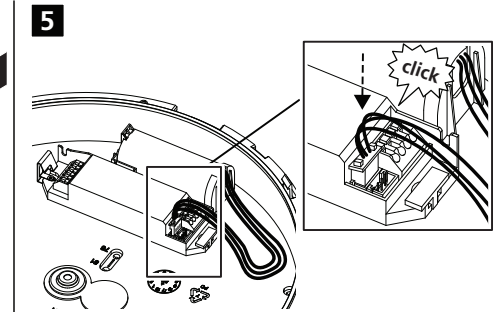
Novella IP66 EM3 KIT for Small
0040065



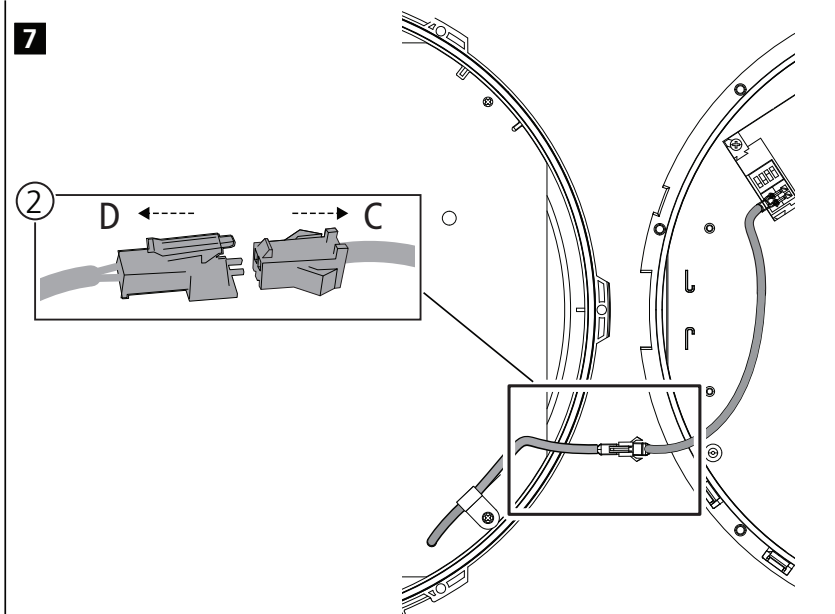
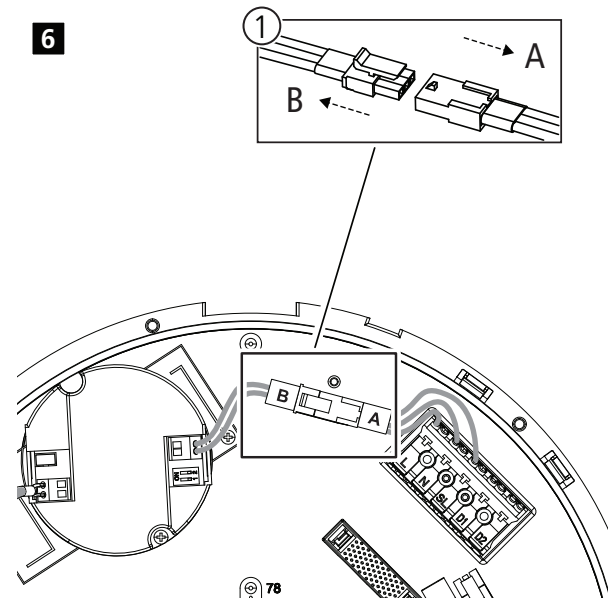
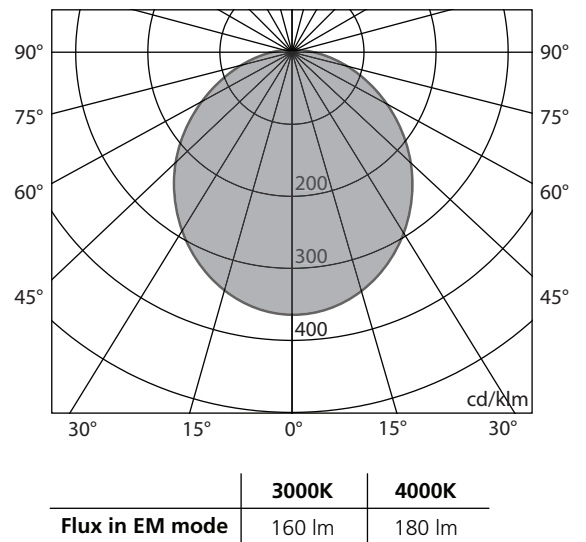
POWERIOD™
LiFeP04 3.2V 3200mAh 10.24Wh
26650 1IFpR27/66-1 L1132NW
21010323210202
Art. No. 28002322

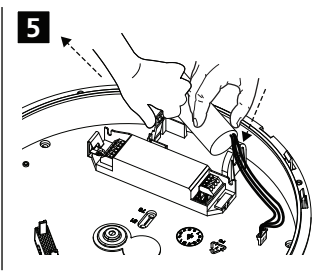
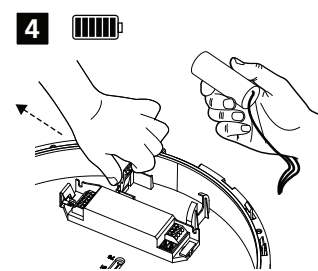
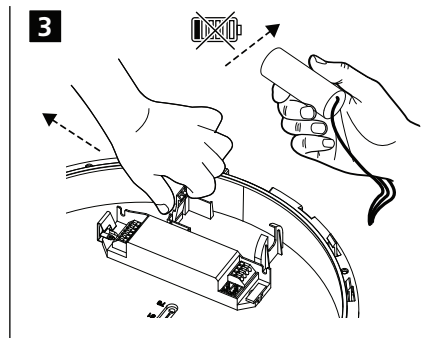
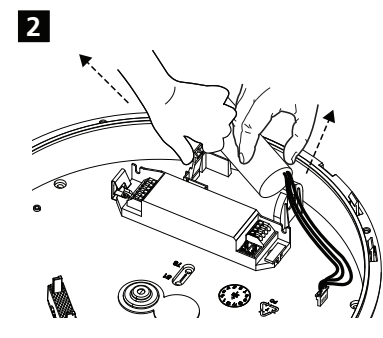
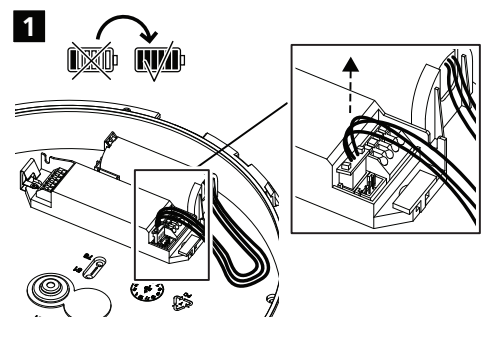
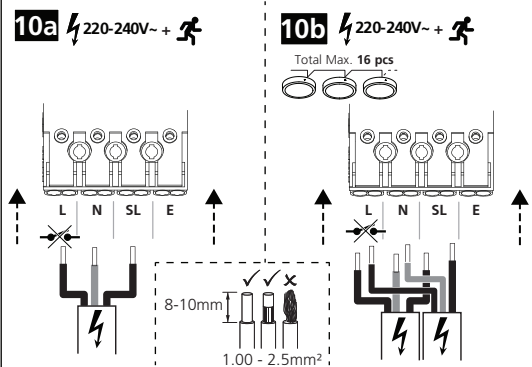
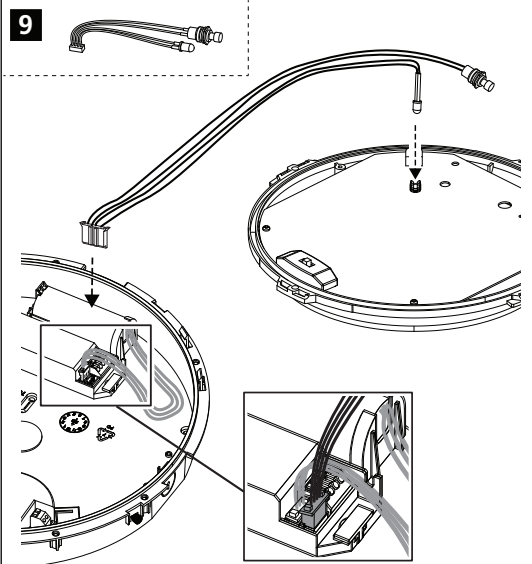
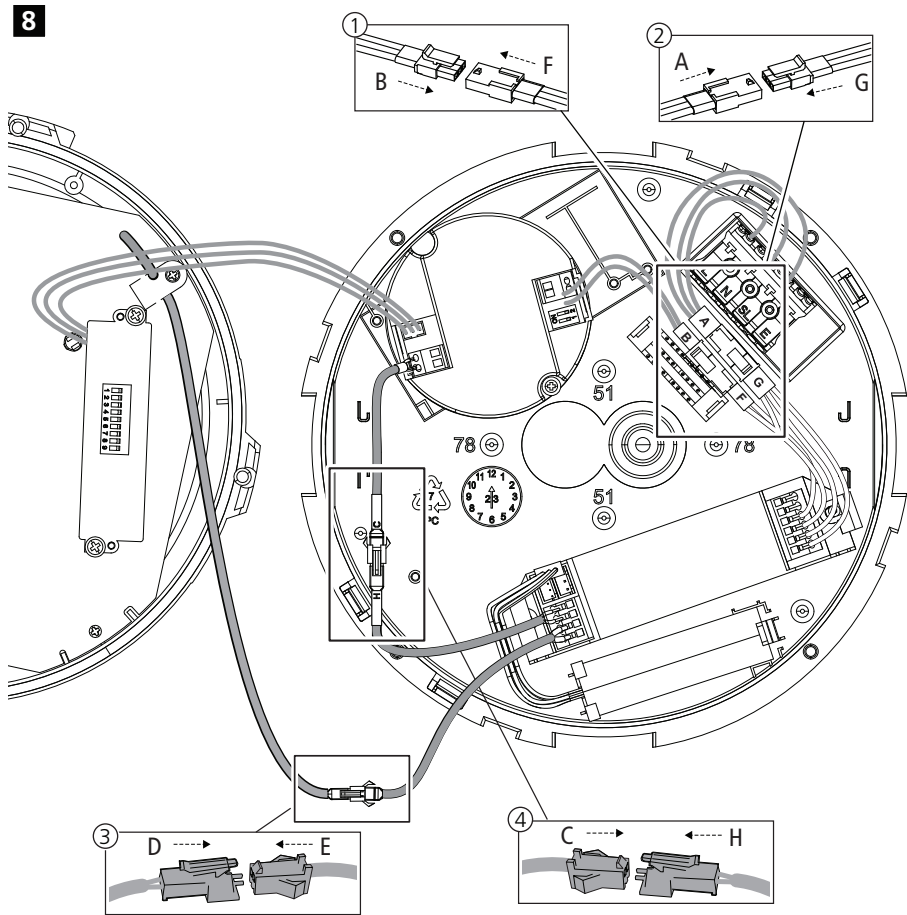
Date of Manufacture: _____
Date of Installation: _____

Warning: Do not disassemble, puncture, crush, heat or burn



LED INDICATION		STATUS		COMMENT
LED Colour	Status	Flashing		
		ON	OFF	
Green	●	∞	-	Power and System OK
	●	4.0 sec	1.0 sec	Battery Connected and Charging
	●	2.0 sec	2.0 sec	Duration Test in Progress
	●	0.5 sec	0.5 sec	Function Test in Progress
Red	●	4.0 sec	1.0 sec	Battery Temperature Issue
	●	0.5 sec	0.5 sec	Battery Fault
	●●	0.5 sec	0.5 sec	Low Battery
	●●●	0.5 sec	0.5 sec	Charging Fault
	●●●●	0.5 sec	0.5 sec	Driver Fault
	●●●●●	0.5 sec	0.5 sec	Load Fault
Red&Green	●	-	∞	Power off





POWERIOD™

Date of Manufacture: LiFeP04 3.2V 3200mAh 10.24Wh
26650 1IFpR27/66-1 L1132NW
21010323210202
Art. No. 28002322

Warning: Do not disassemble, puncture, crush, heat or burn

Date of Installation:

