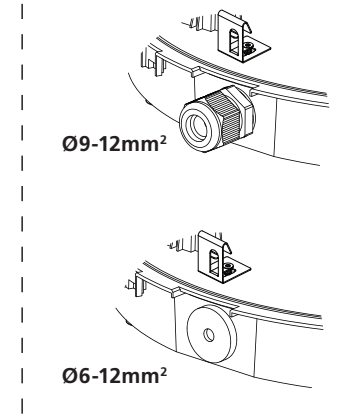
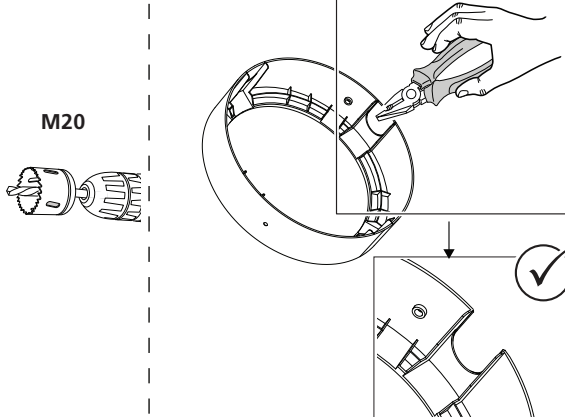
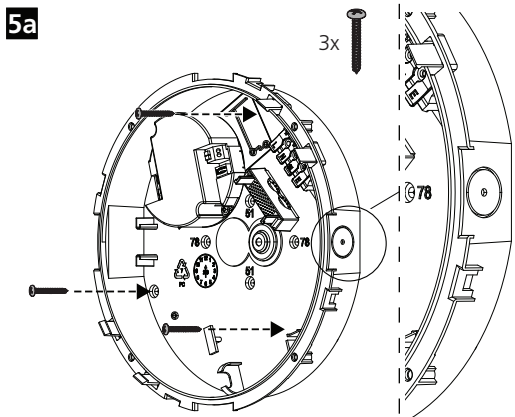
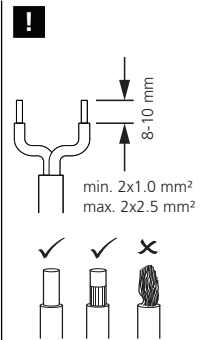
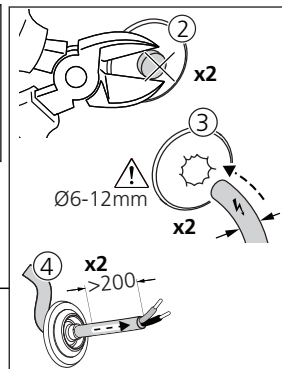
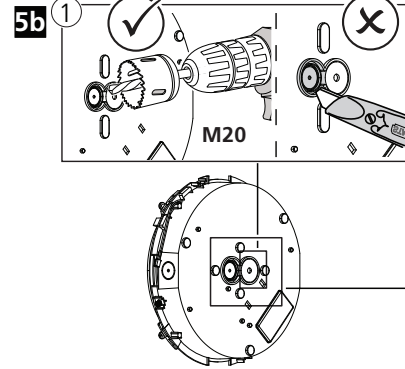
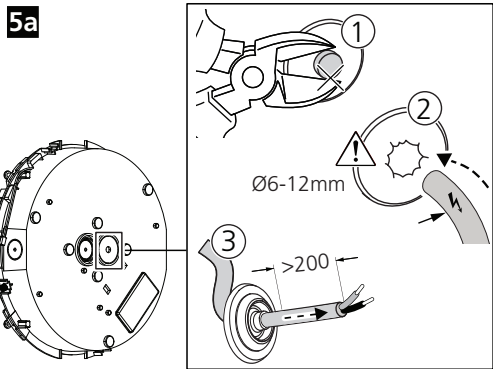
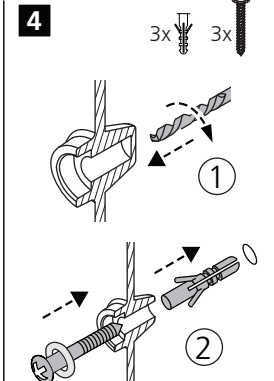
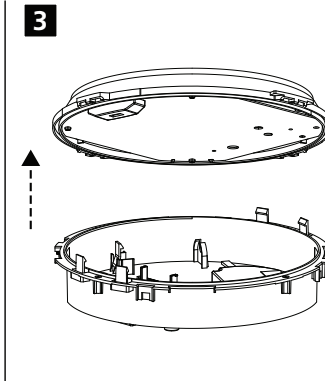
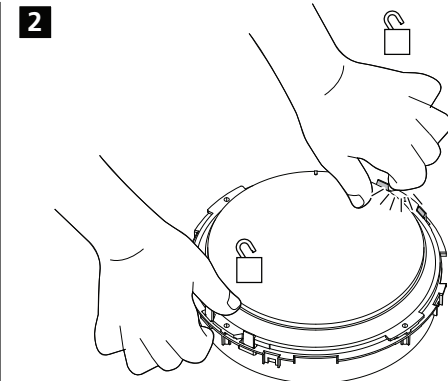
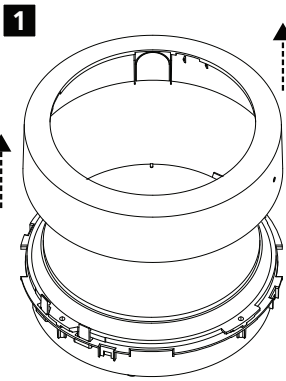
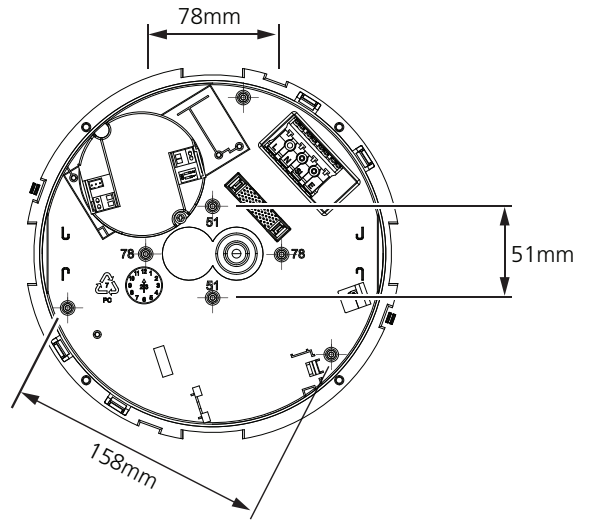
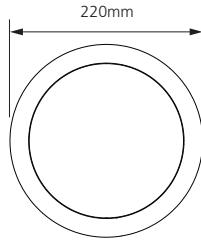
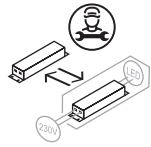
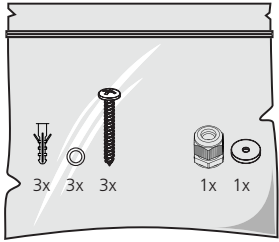
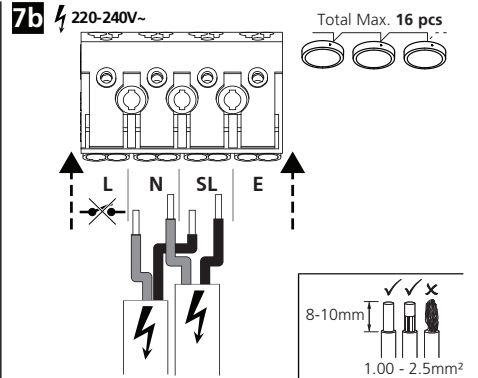
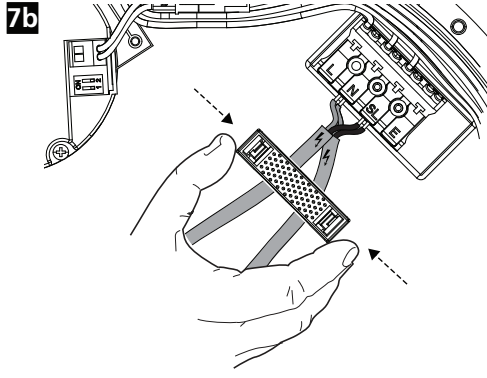
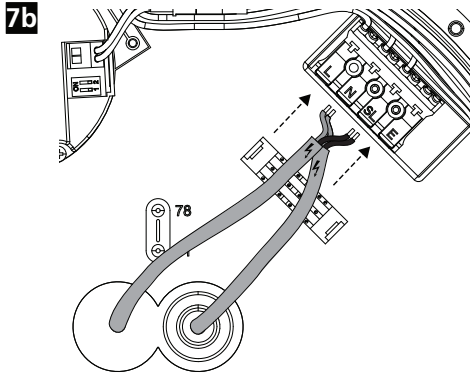
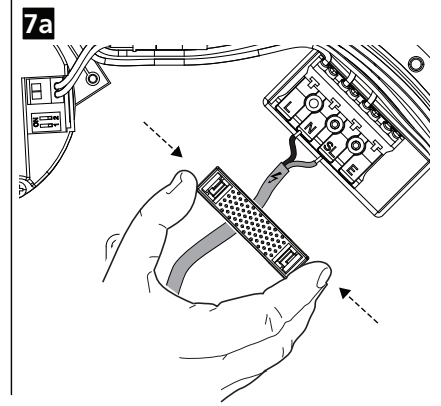
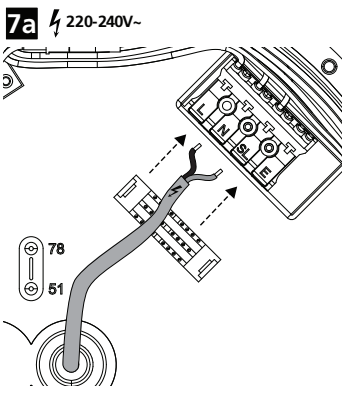
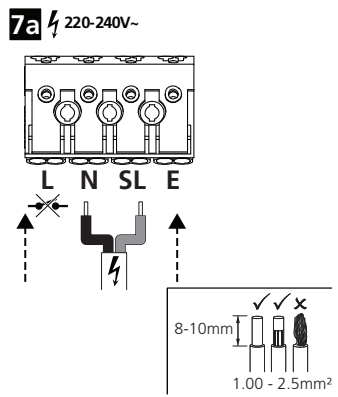
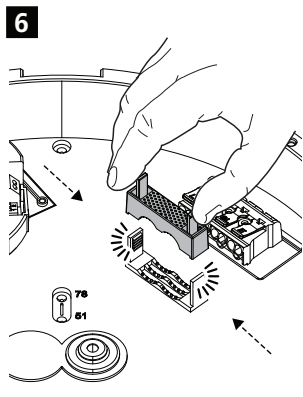


~ 220-240 V 50/60 Hz

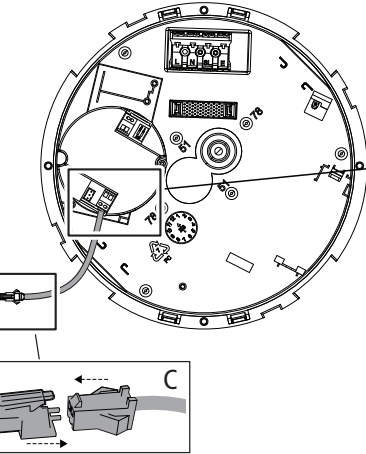
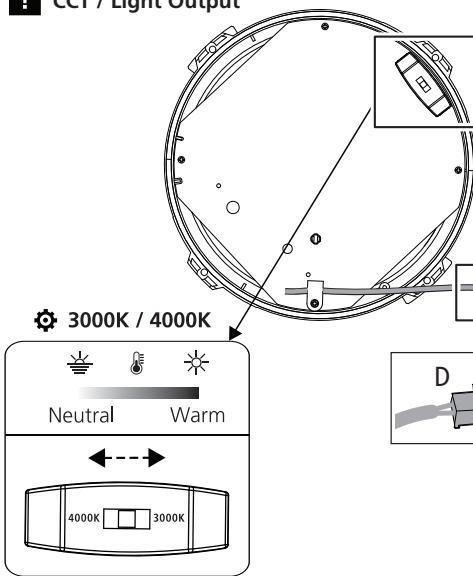


-20°C 45°C

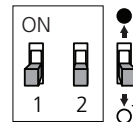
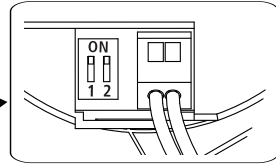




! CCT / Light Output

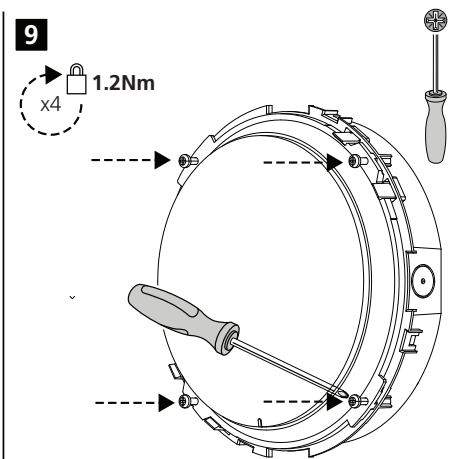
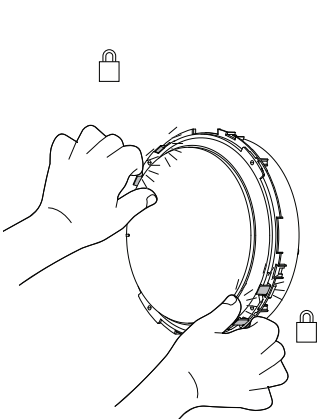
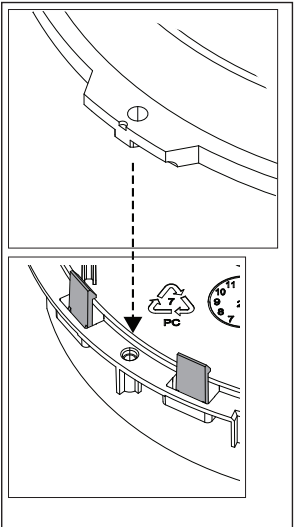
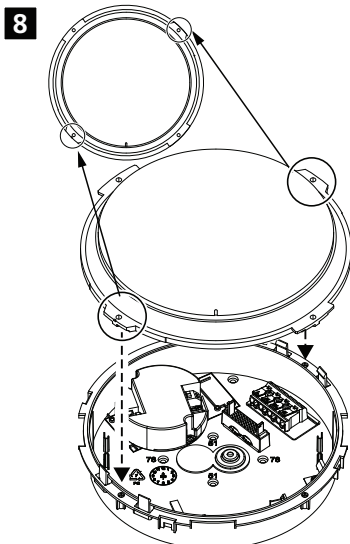


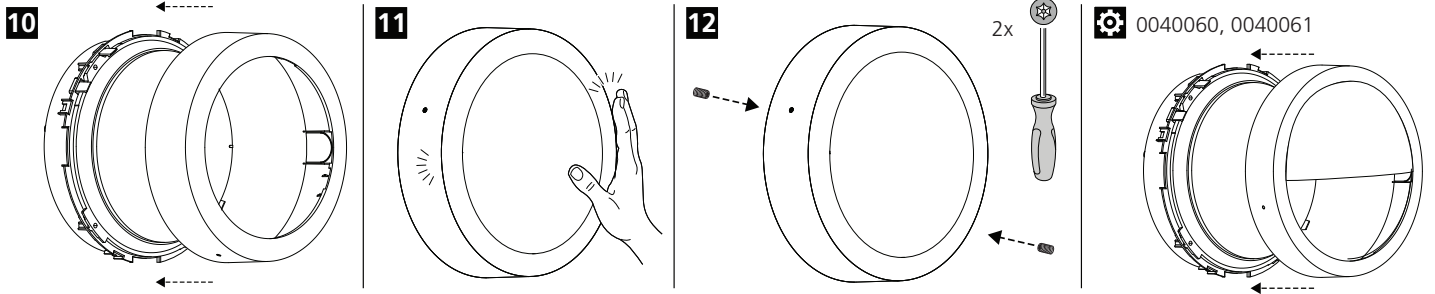
⚙️ Light Output



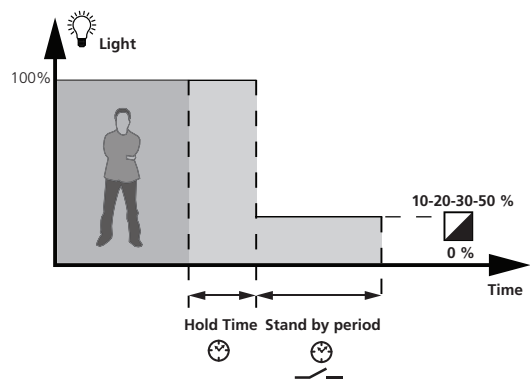
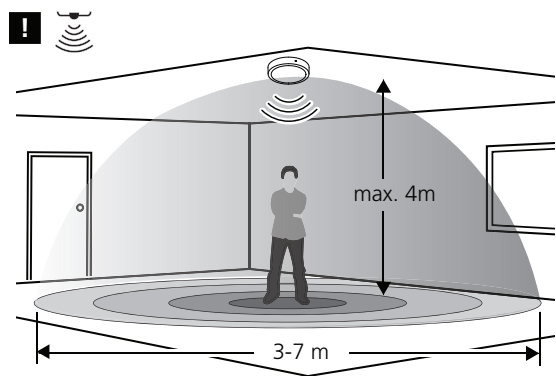
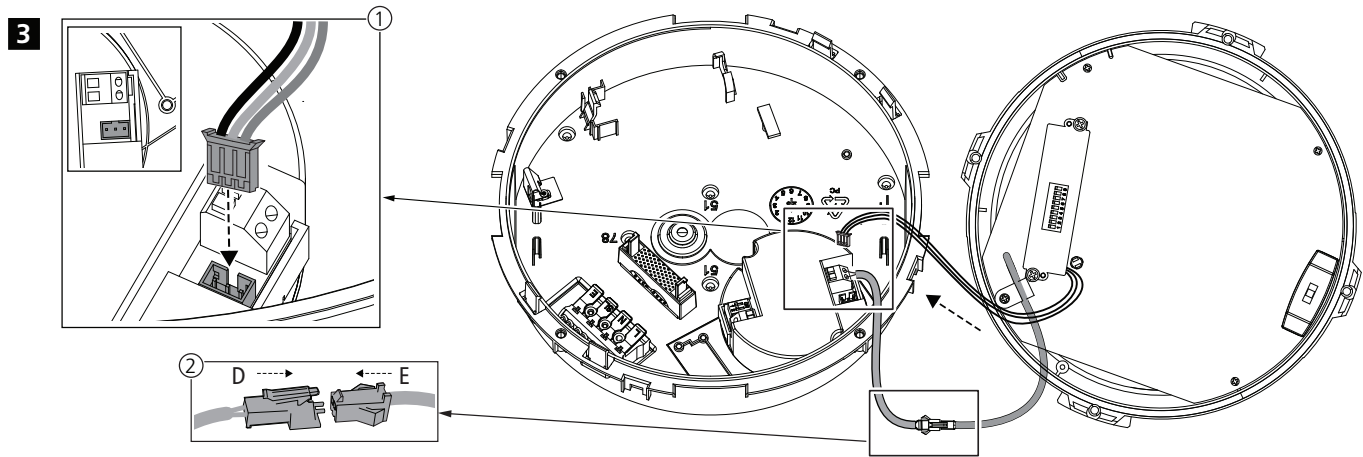
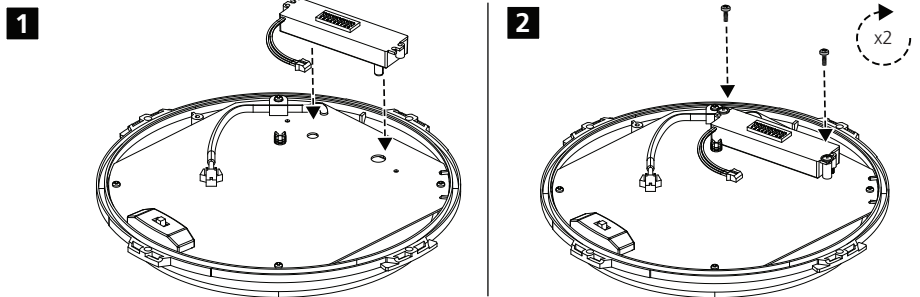
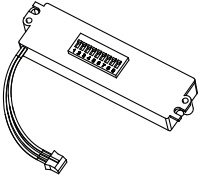
		0040050, 0040052		0040150, 0040152		
1	2	mA	3000K [lm]	4000K [lm]	3000K [lm]	4000K [lm]
○	○	125	720	780	740	800
○	●	170	960	1025	980	1050
●	●	260	1425	1525 ⚙️	1450	1550 ⚙️

⚙️ Factory Settings





Novella IP66 MW Corridor KIT
0040064



! ON OFF

⚙️ Detection Area

I	●	100%
II	○	50%

⚙️ Hold-Time

I	●●	5s
II	●○	30s
III	○●	1min
IV	○○	10min

⚙️ Daylight Threshold

	4	5	LUX ON	LUX OFF
I	●●	●●	Disable	Disable
II	●○	○●	50lux	100lux
III	○●	●○	10lux	100lux
IV	○○	○○	2lux	100lux

⚙️ Stand-by period

I	●●	0s
II	●○	30s
III	○●	20min
IV	○○	+∞

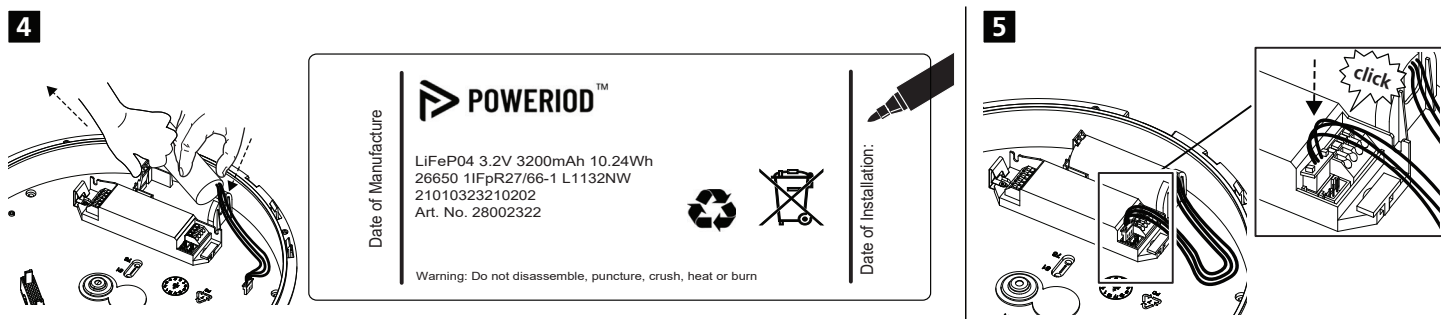
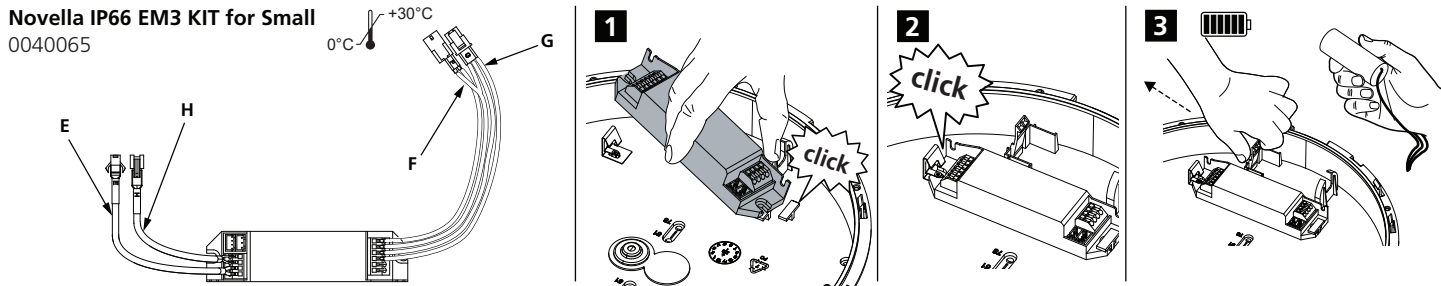
⚙️ Stand-by dimming level

I	●●	10%
II	●○	20%
III	○●	30%
IV	○○	50%

5s ... 30min

Light OFF

Novella IP66 EM3 KIT for Small
0040065



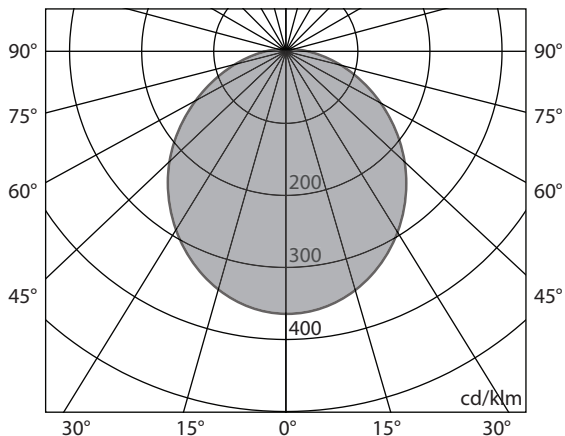
POWERIOD™

Date of Manufacture: _____
 LiFeP04 3.2V 3200mAh 10.24Wh
 26650 1IFpR27/66-1 L1132NW
 21010323210202
 Art. No. 28002322

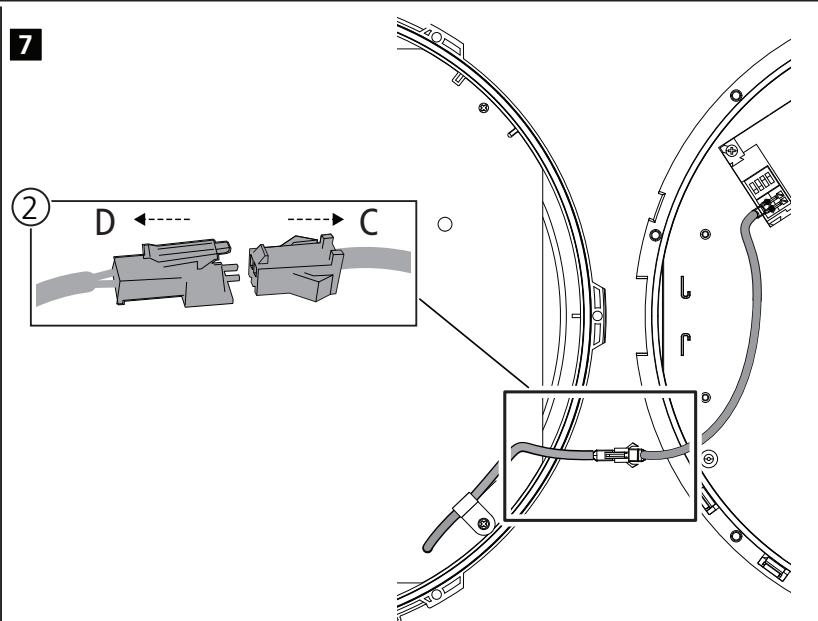
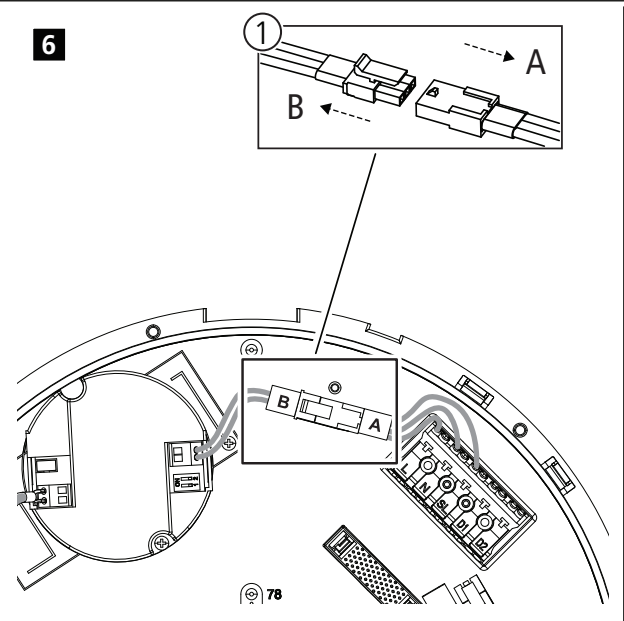
Warning: Do not disassemble, puncture, crush, heat or burn

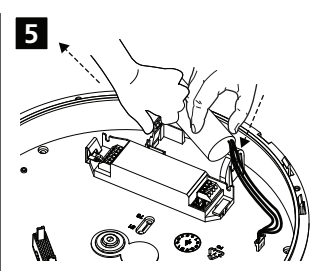
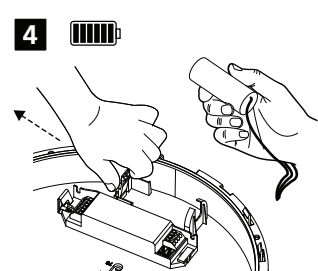
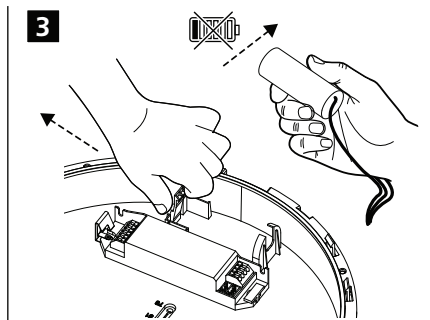
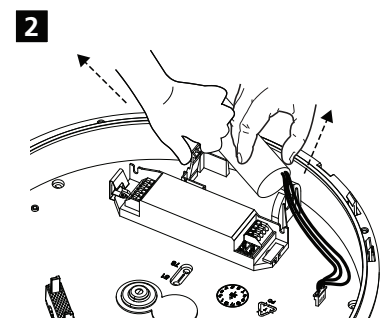
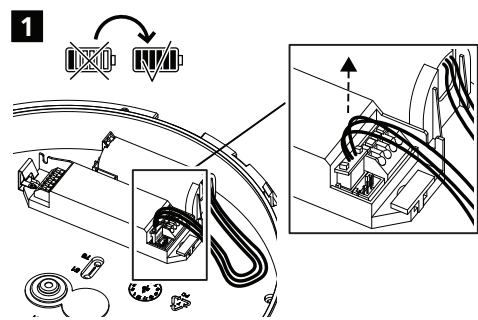
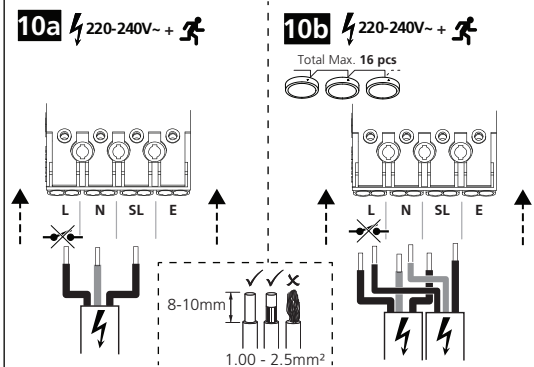
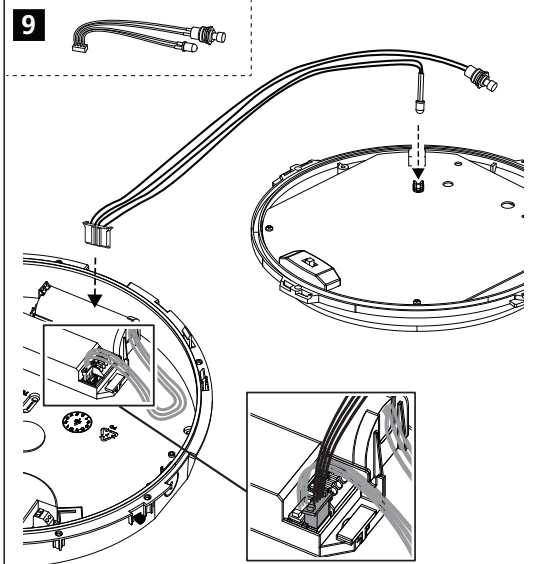
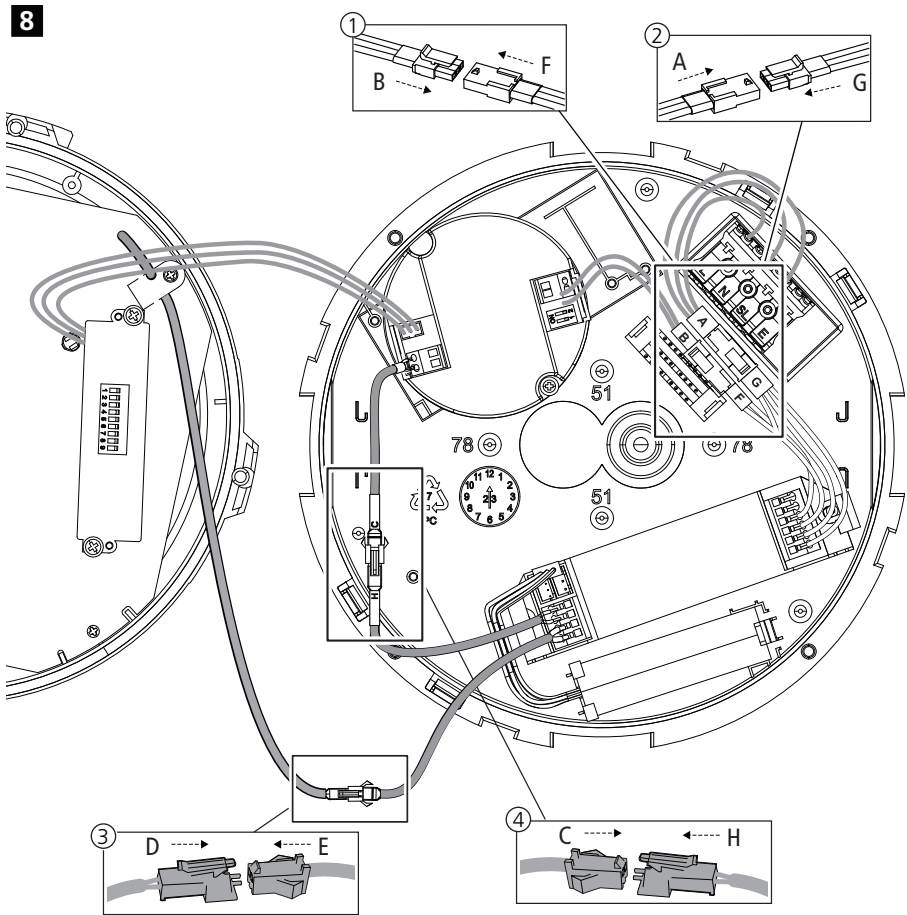
Date of Installation: _____

LED INDICATION		STATUS		COMMENT
LED Colour	Status	Flashing		
		ON	OFF	
Green	●	∞	-	Power and System OK
	●	4.0 sec	1.0 sec	Battery Connected and Charging
	●	2.0 sec	2.0 sec	Duration Test in Progress
	●	0.5 sec	0.5 sec	Function Test in Progress
Red	●	4.0 sec	1.0 sec	Battery Temperature Issue
	●	0.5 sec	0.5 sec	Battery Fault
	●●	0.5 sec	0.5 sec	Low Battery
	●●●	0.5 sec	0.5 sec	Charging Fault
	●●●●	0.5 sec	0.5 sec	Driver Fault
	●●●●●	0.5 sec	0.5 sec	Load Fault
Red&Green	●	-	∞	Power off



Flux in EM mode	3000K	4000K
	160 lm	180 lm





POWERIOD™

Date of Manufacture

LiFeP04 3.2V 3200mAh 10.24Wh
 26650 11FpR27/66-1 L1132NW
 21010323210202
 Art. No. 28002322

Warning: Do not disassemble, puncture, crush, heat or burn

Date of Installation:

