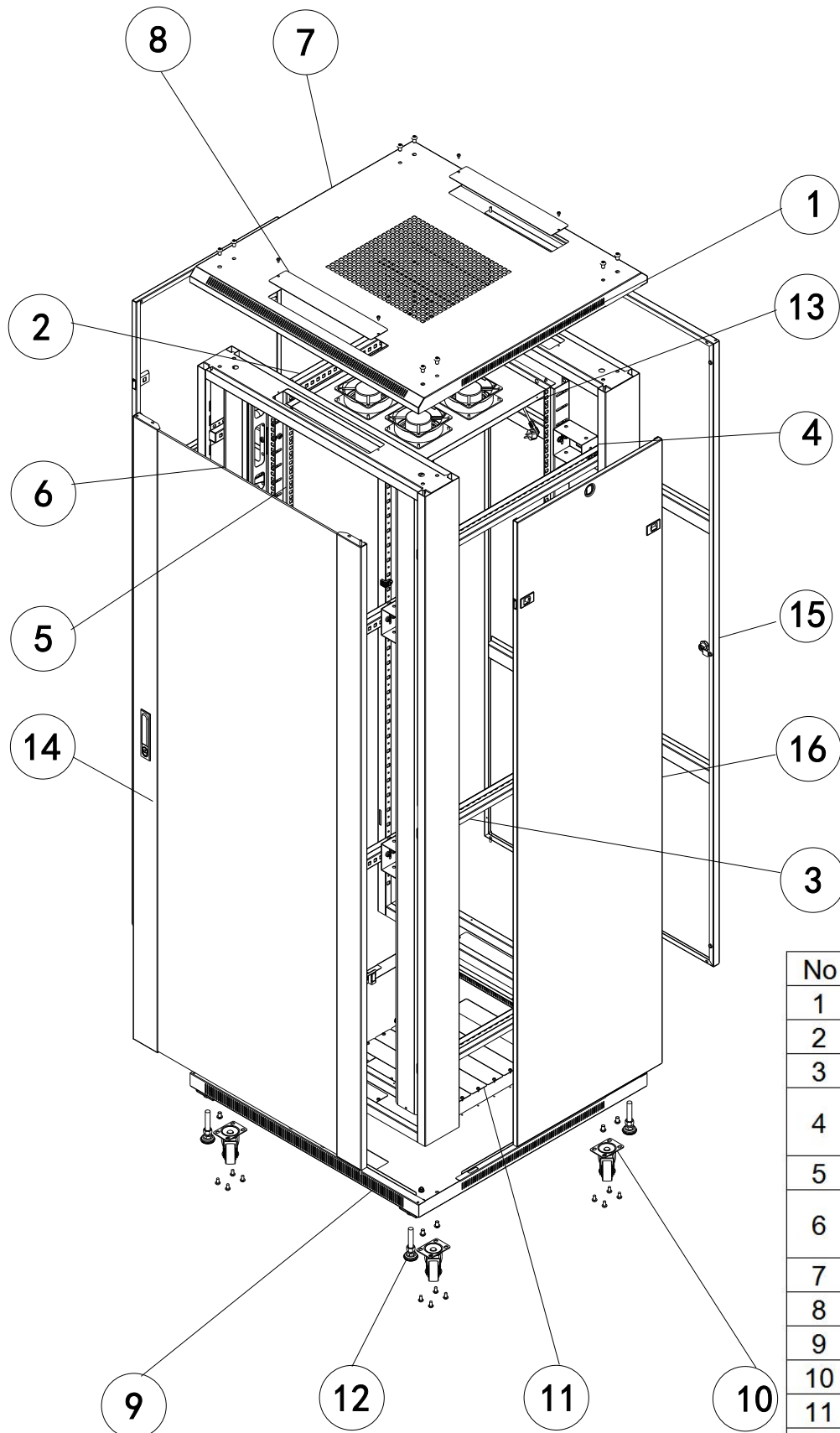







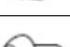


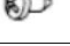

# APS RA19 Floor cabinet parts list

-Width: 800mm

-Suit for  $\geq$  32U

# APS<sup>®</sup>



| No | Part name               | QTY | PIC   |
|----|-------------------------|-----|---|
| H0 | Side panel Baffle       | 4   |  |
| H1 | M5*10 Screw             | 4   |  |
| H2 | M6 cage nuts            | 48  |  |
| H3 | M6*12 screw with washer | 84  |  |
| H4 | M6 flange screw         | 36  |  |
| H5 | M8 *12 screw            | 16  |  |
| H6 | M8 flange cage nuts     | 16  |  |
| H7 | M4*10 screw             | 22  |  |
| H8 | M6 *12 screw            | 16  |  |
| H9 | Heel post               | 2   |  |

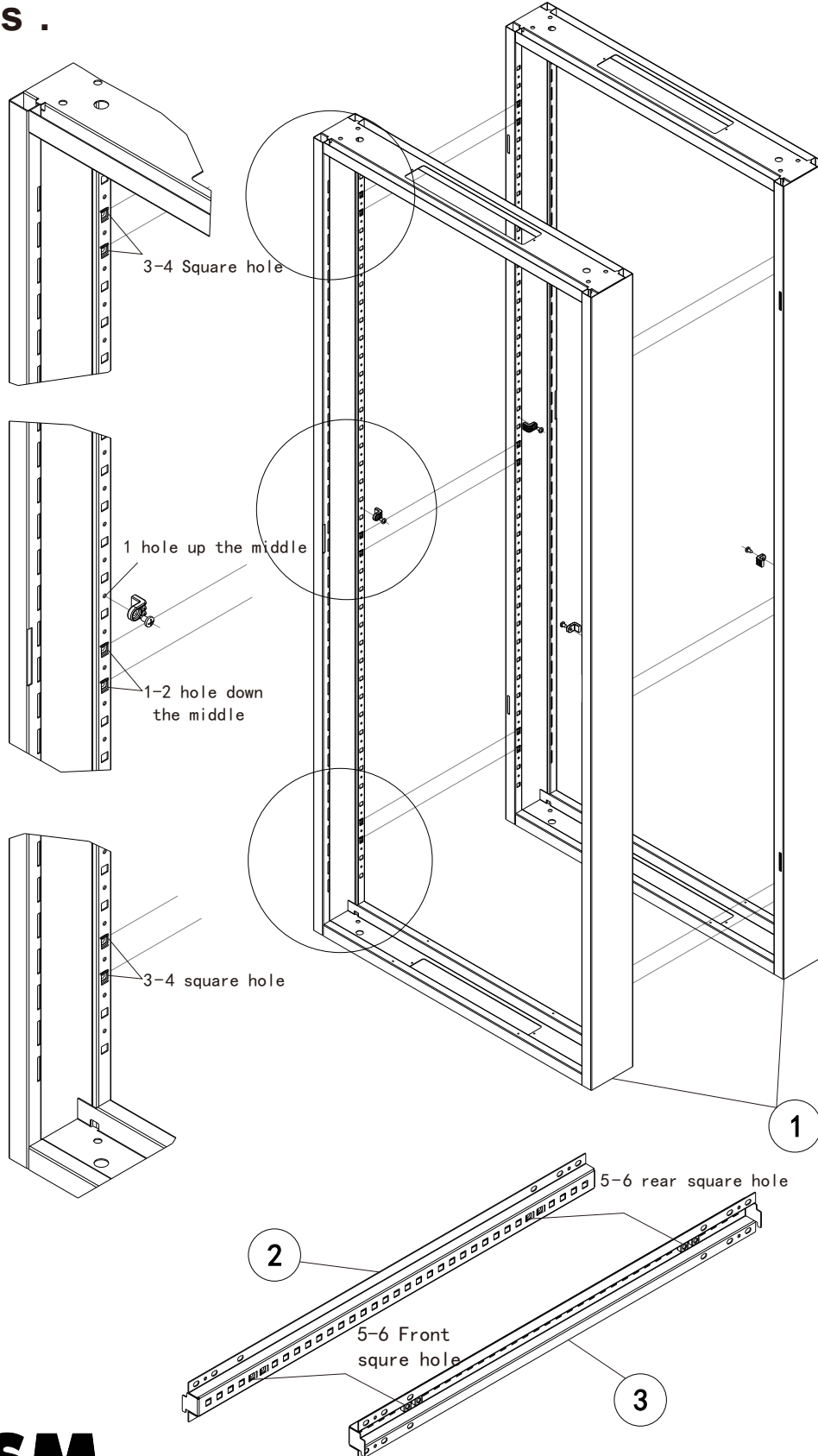
| No | Part name  | QTY |
|----|--|-----|
| 1  | Frame  | 2   |
| 2  | Type L bracket-Left                                | 3   |
| 3  | Type L bracket-Right                               | 3   |
| 4  | Frame connect Box<br>(only for 800mm rack)         | 12  |
| 5  | Mounting profile                                   | 4   |
| 6  | Vertical cable management<br>(only for 800mm rack) | 2   |
| 7  | Top cover  | 1   |
| 8  | Cable enter port panel-Top                         | 4   |
| 9  | Bottom cover                                       | 1   |
| 10 | Castors  | 4   |
| 11 | Cable enter port panel-Bottom                      | 5   |
| 12 | Adjust feet  | 4   |
| 13 | Fan tray   | 1   |
| 14 | Front door   | 1   |
| 15 | Rear door  | 1   |
| 16 | Side panel   | 2   |

## Step 1 :

-Install the cage nuts(H2\*24) / side panle baffle(H0\*4,H1\*4) on to the Frames.

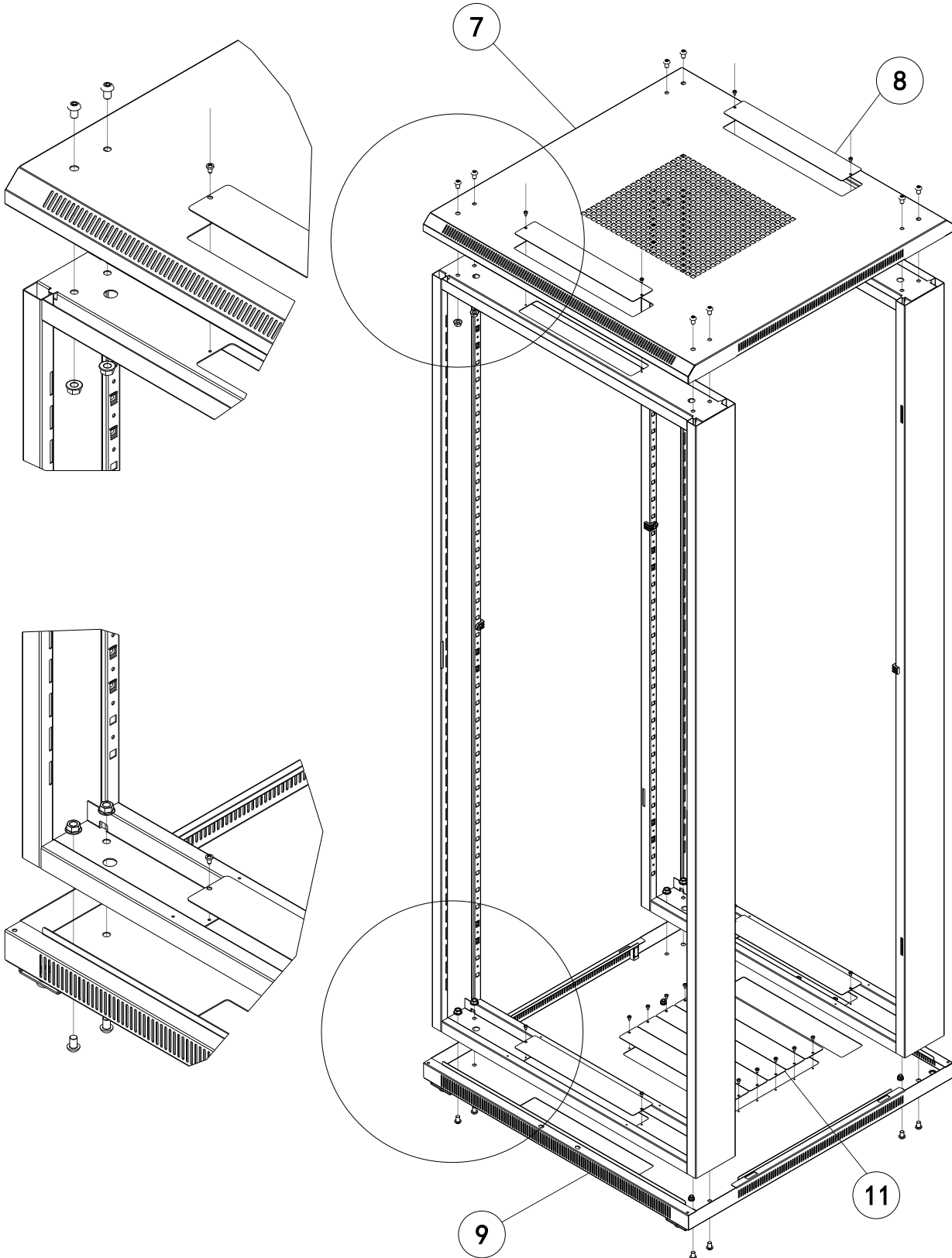
-Install the cage nuts (H2\*24) onto the Type L brackets .

- Cage nuts should be on the same level on frame & L brackets .



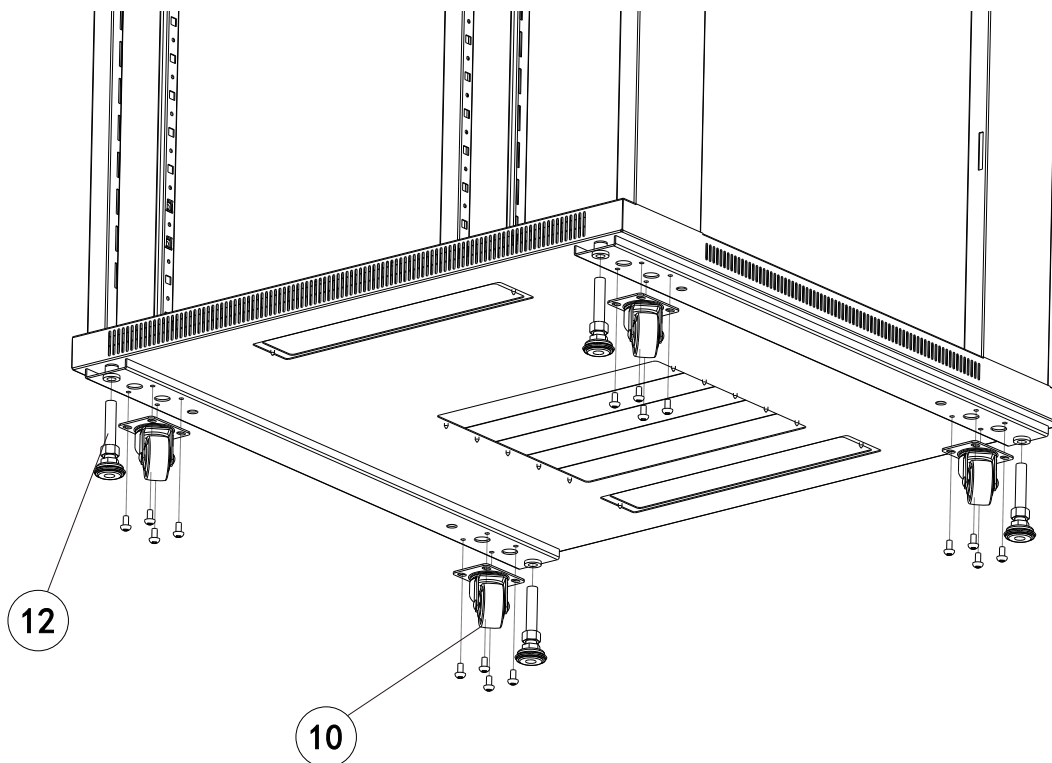
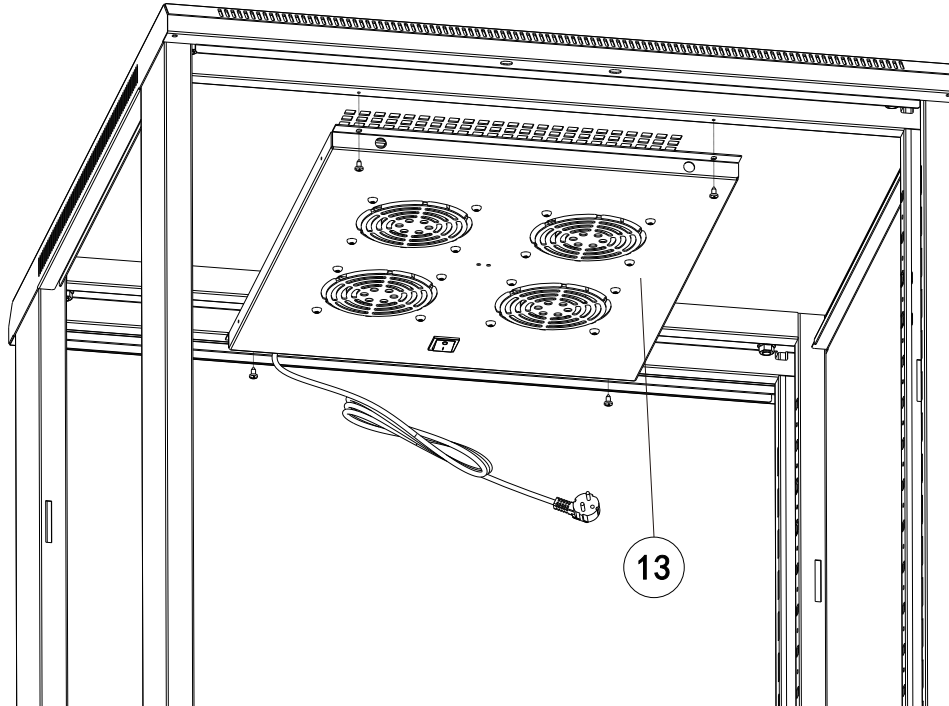
## Step 2:

Install the top cover/bottom cover(H5\*16,H6\*16)/  
Cable enter port panels(H6\*18).



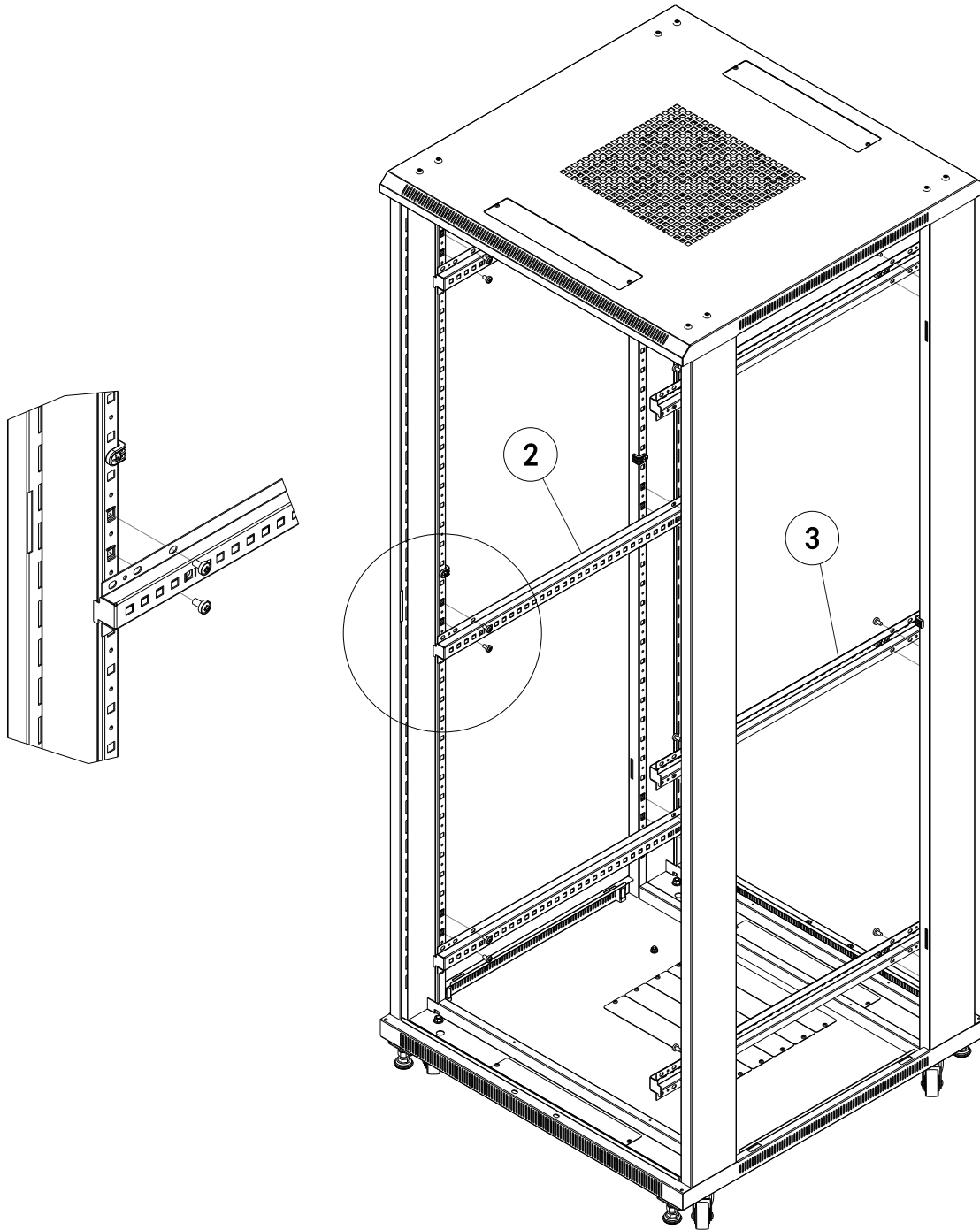
## Step 3:

Install fan tray (H7x4)/castors(H7x16)/adjust feets.



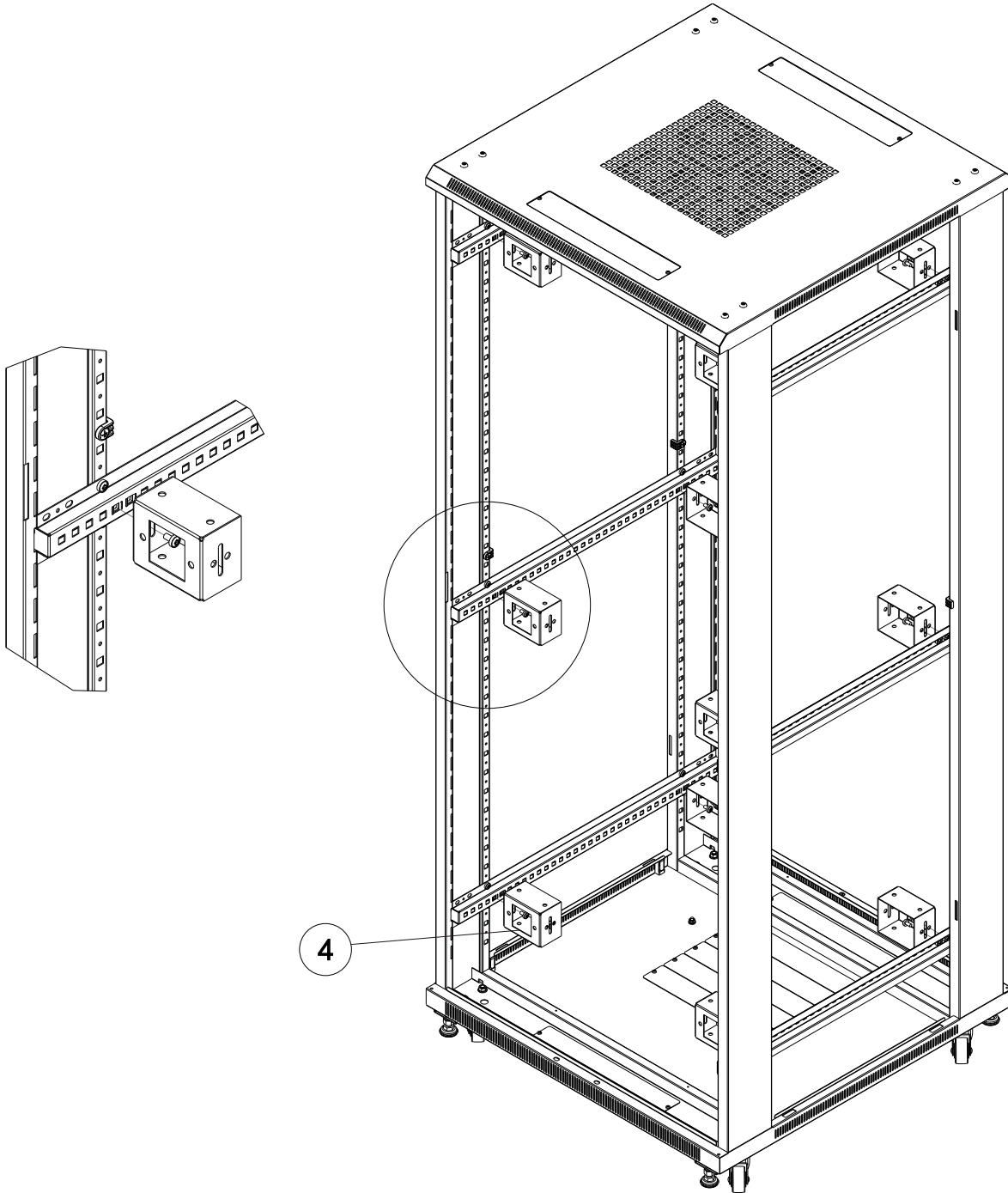
Step 4:

Install type L brackets (H3x24).



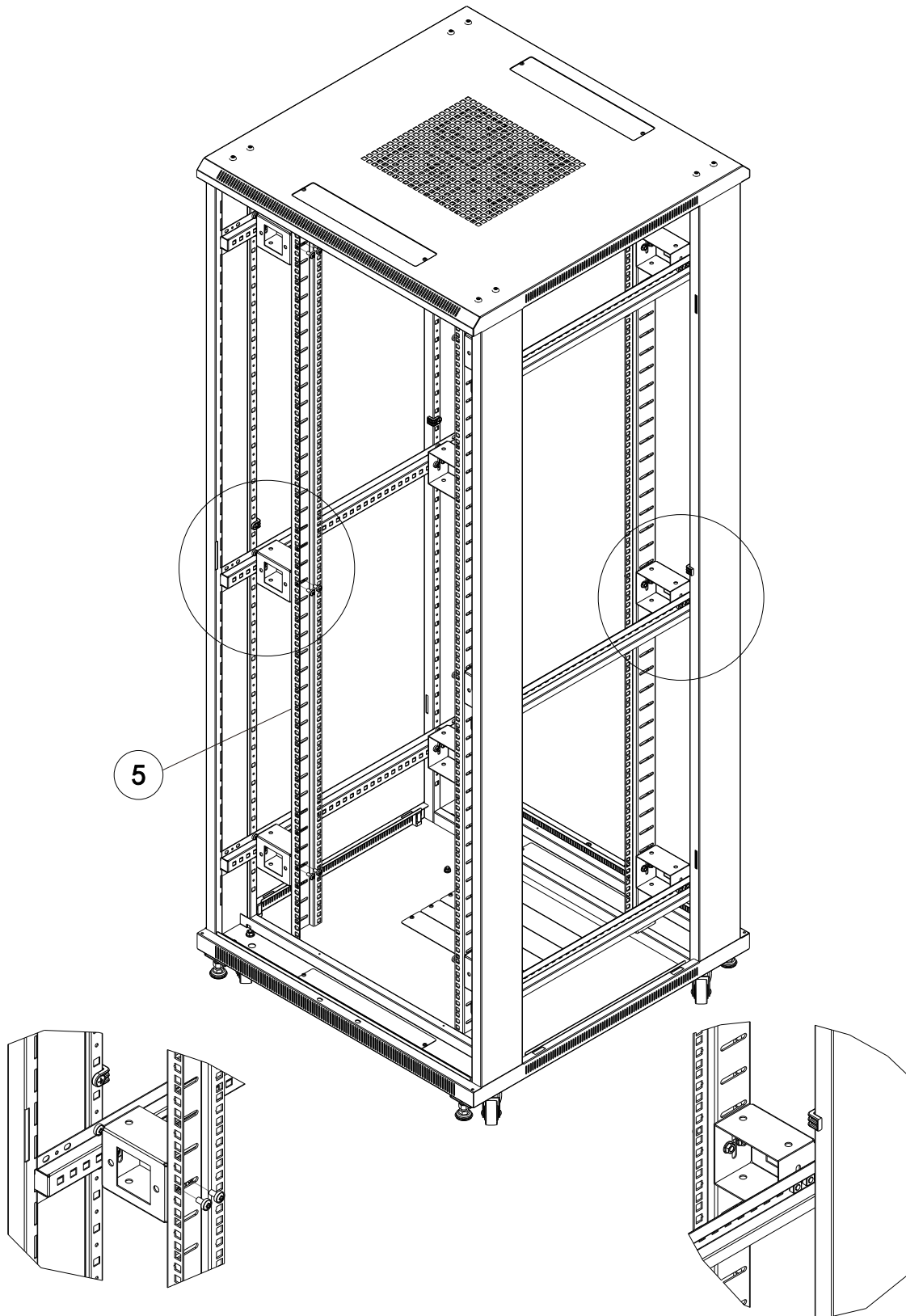
## Step 5:

Install Frame connect box (H3x24).



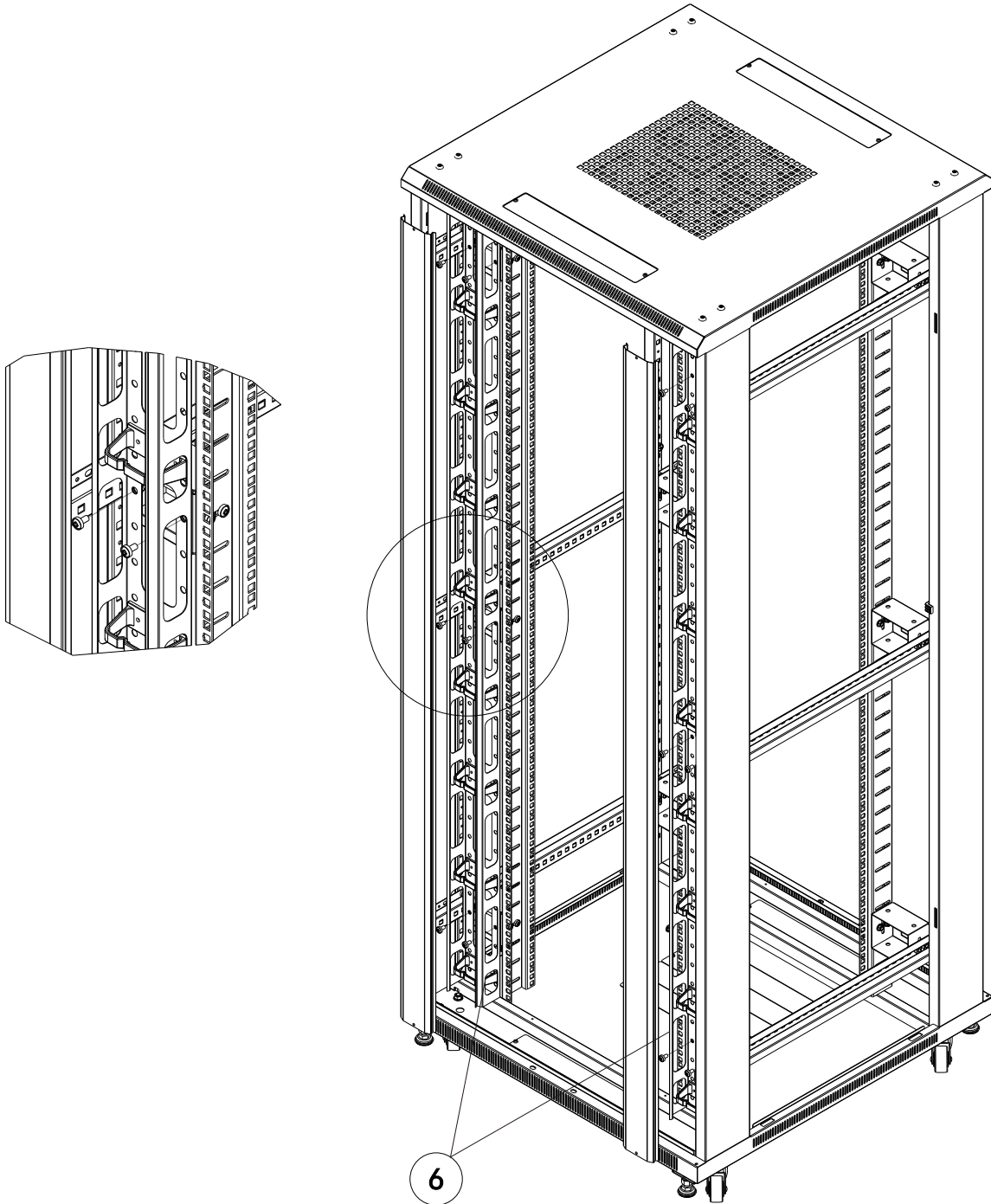
Step 6:

Install mounting profiles (H3x24, H4x24).



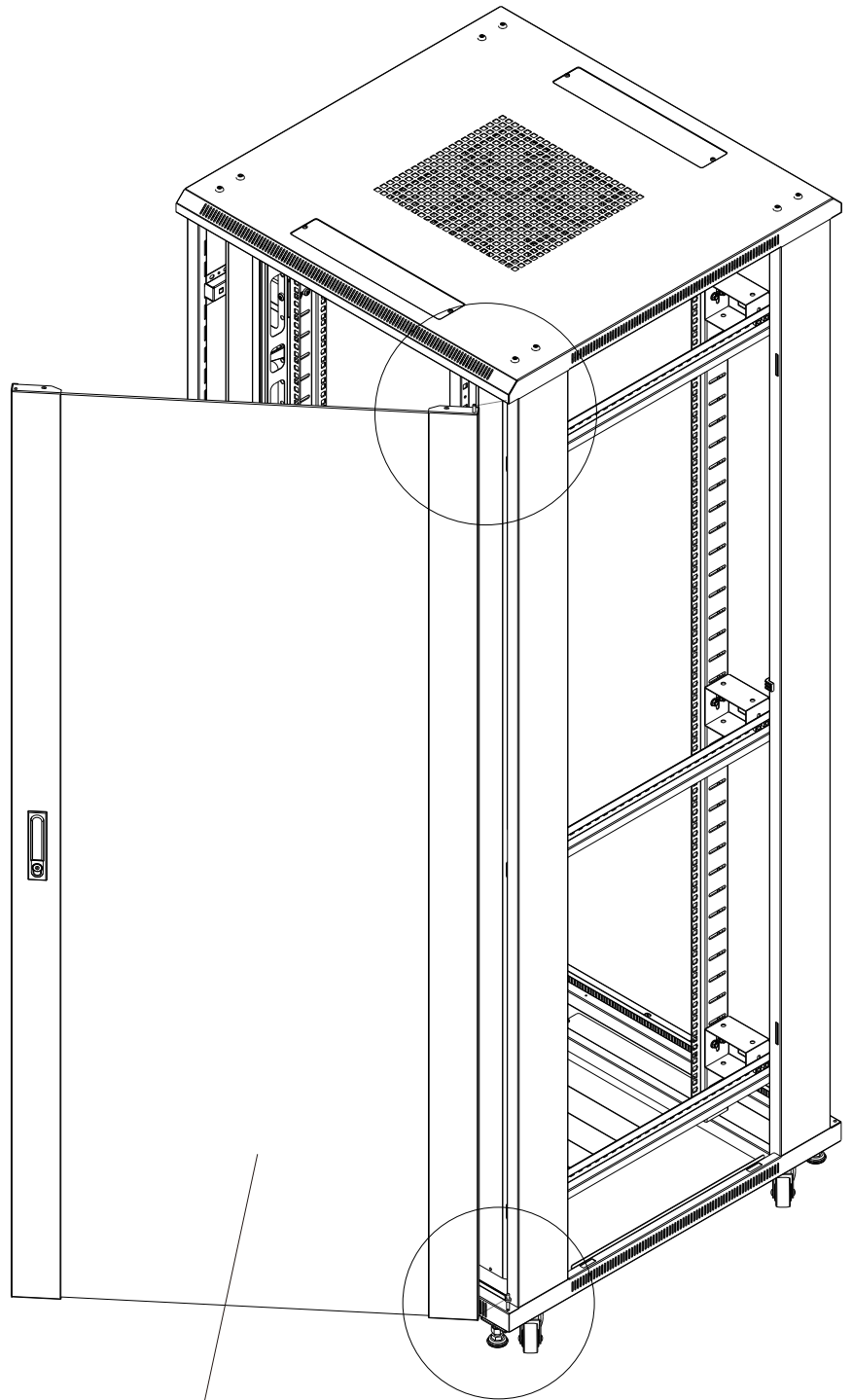
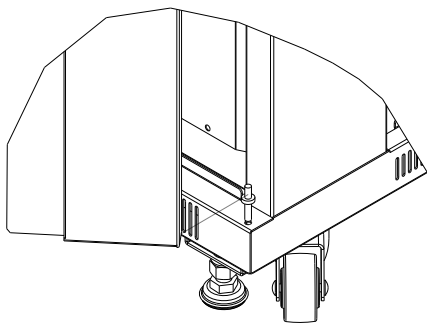
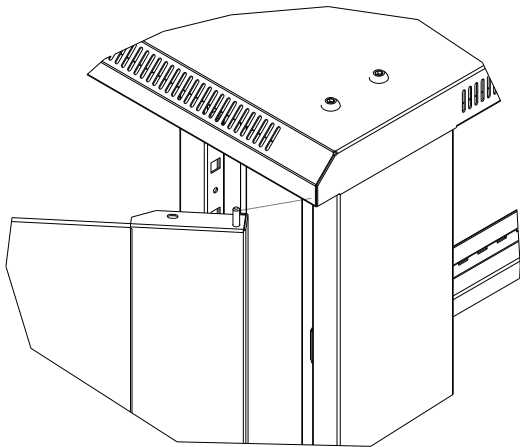
## Step 7:

Install vertical cable management (H3x12, H4x12).



## Step 8:

Install front door (H9x1) & Rear door (H9x1).



14

Step 9:

Install side panels.

