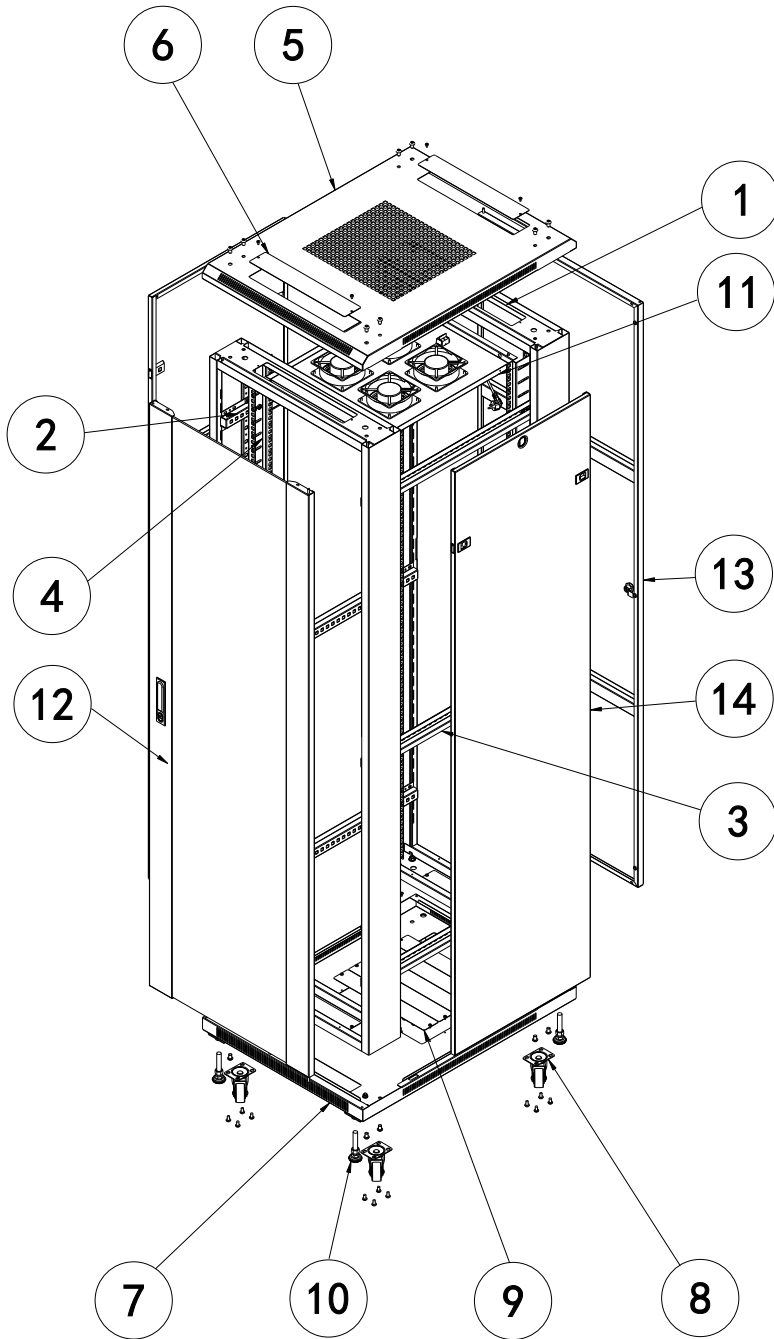


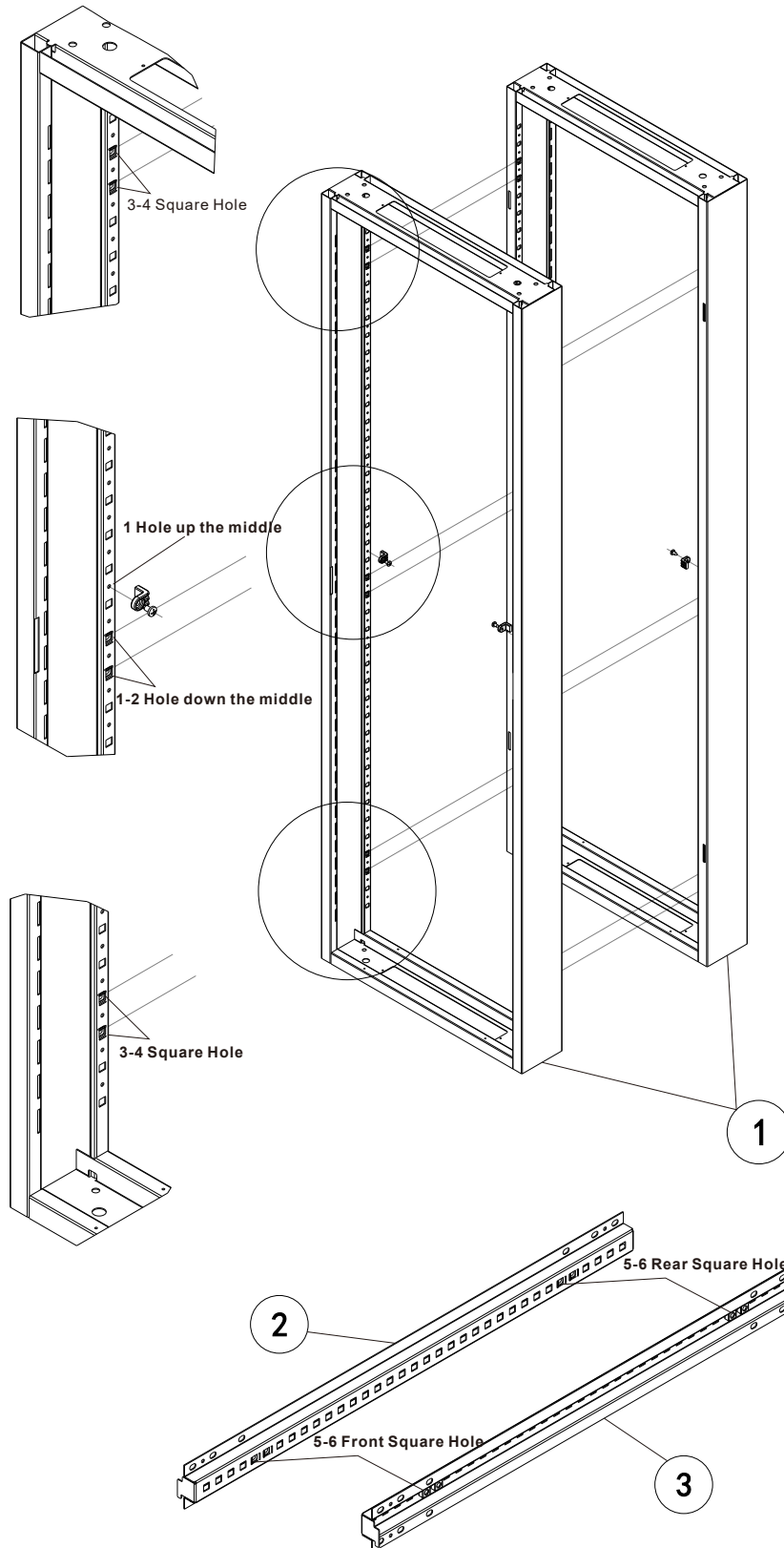
APS RA19 Floor cabinet parts list

- Width:600mm
- Suit for $\geq 32U$



Code	Name	Qty
1	Frame	2
2	Mounting Angel - L	3
3	Mounting Angel - R	3
4	Mounting Profile	4
5	Top Cover	1
6	Top Cover Board	4
7	Bottom Cover	1
8	Castors	4
9	Bottom Cover Board	5
10	Adjustable Feet	4
11	Fan Tray	1
12	Front Door	1
13	Rear Door	1
14	Side Panel	2

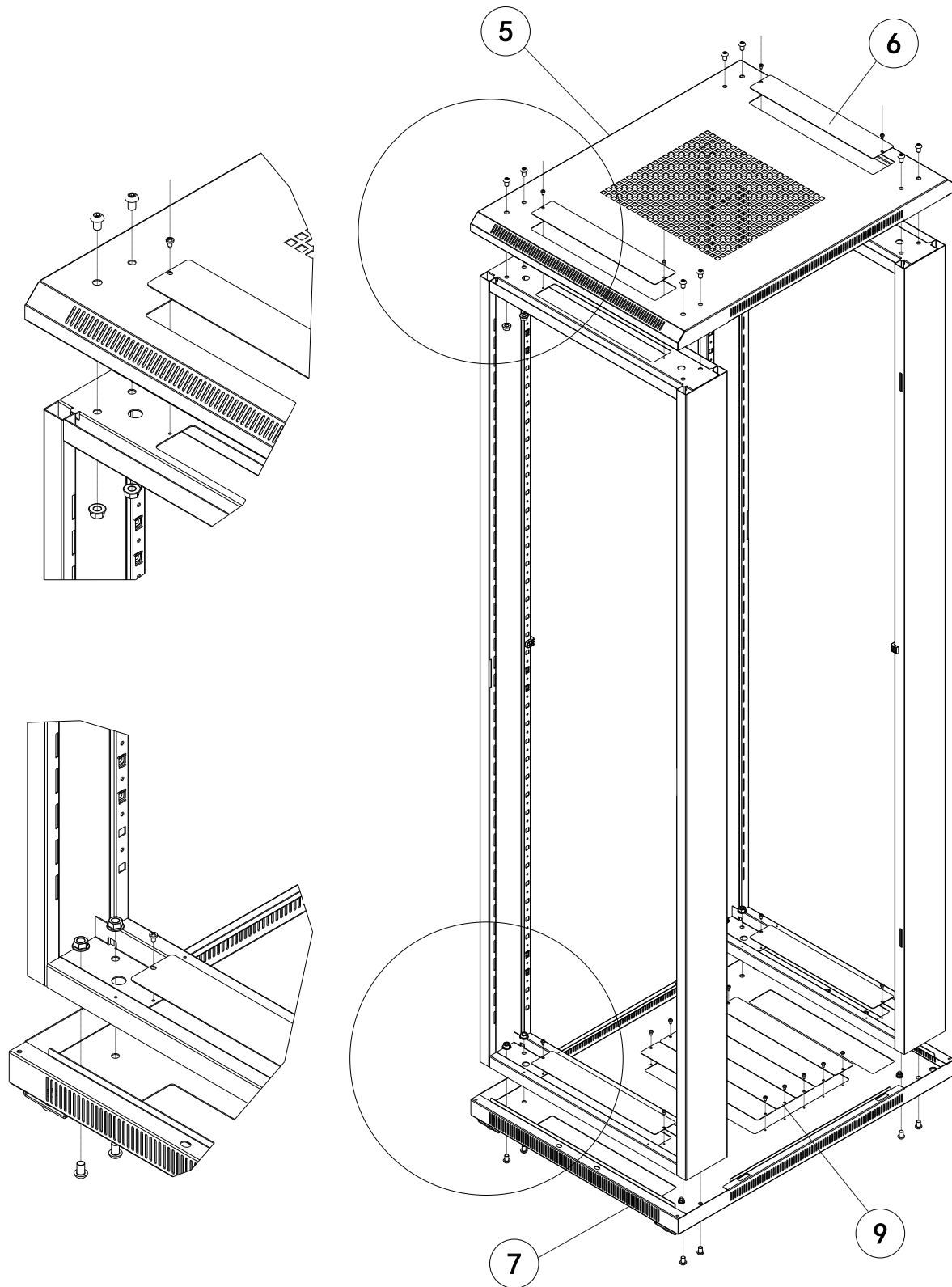
Code	Name	Qty	Reference
H0	Side Panel Baffle	4	
H1	M5*10 Tapping Screw	4	
H2	M6 Cage Nuts	48	
H3	M6*12 Screw with Washer	48	
H4	M8*12 Screw	16	
H5	M8 Flange Nut	16	
H6	M4*10 Tapping Screw	22	
H7	M6*12 Screw	16	
H8	Heel Post	2	



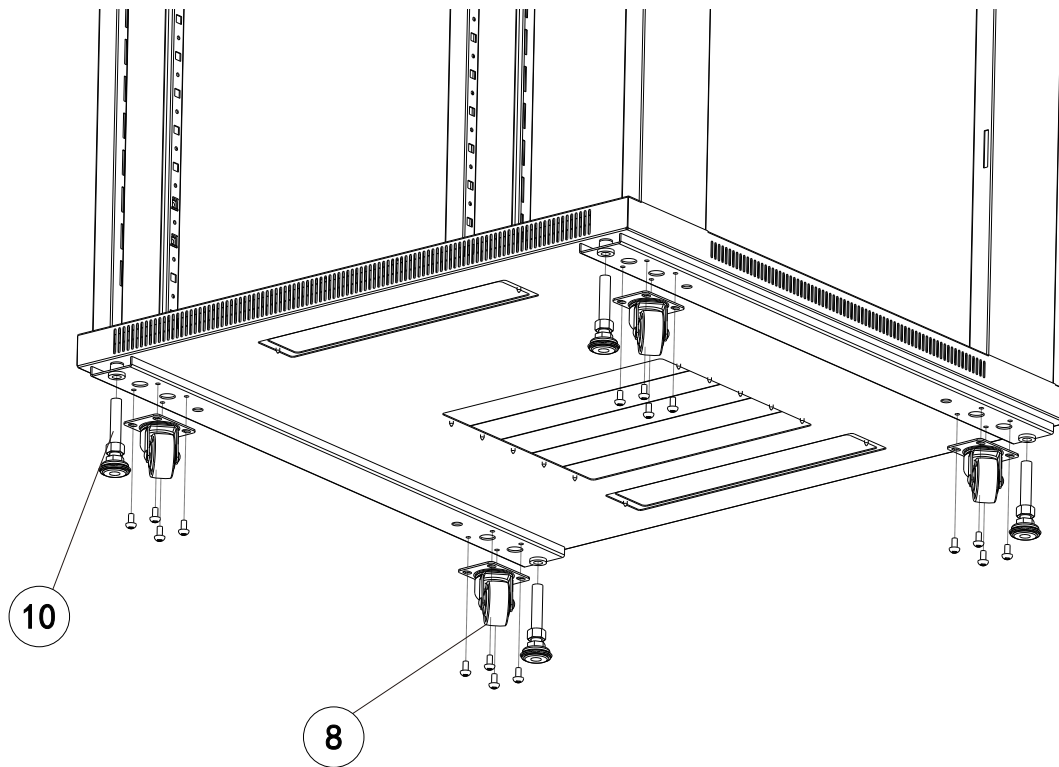
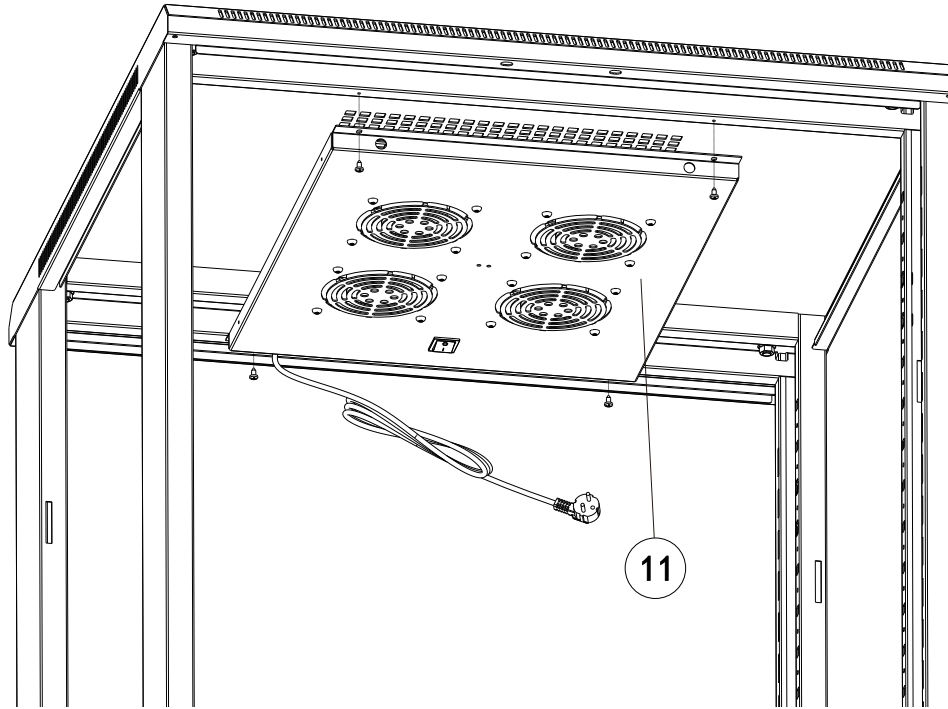
Step 1:

Install the cage nuts(H2x24)and side panel baffle (H0x4, H1x4) onto the frames;

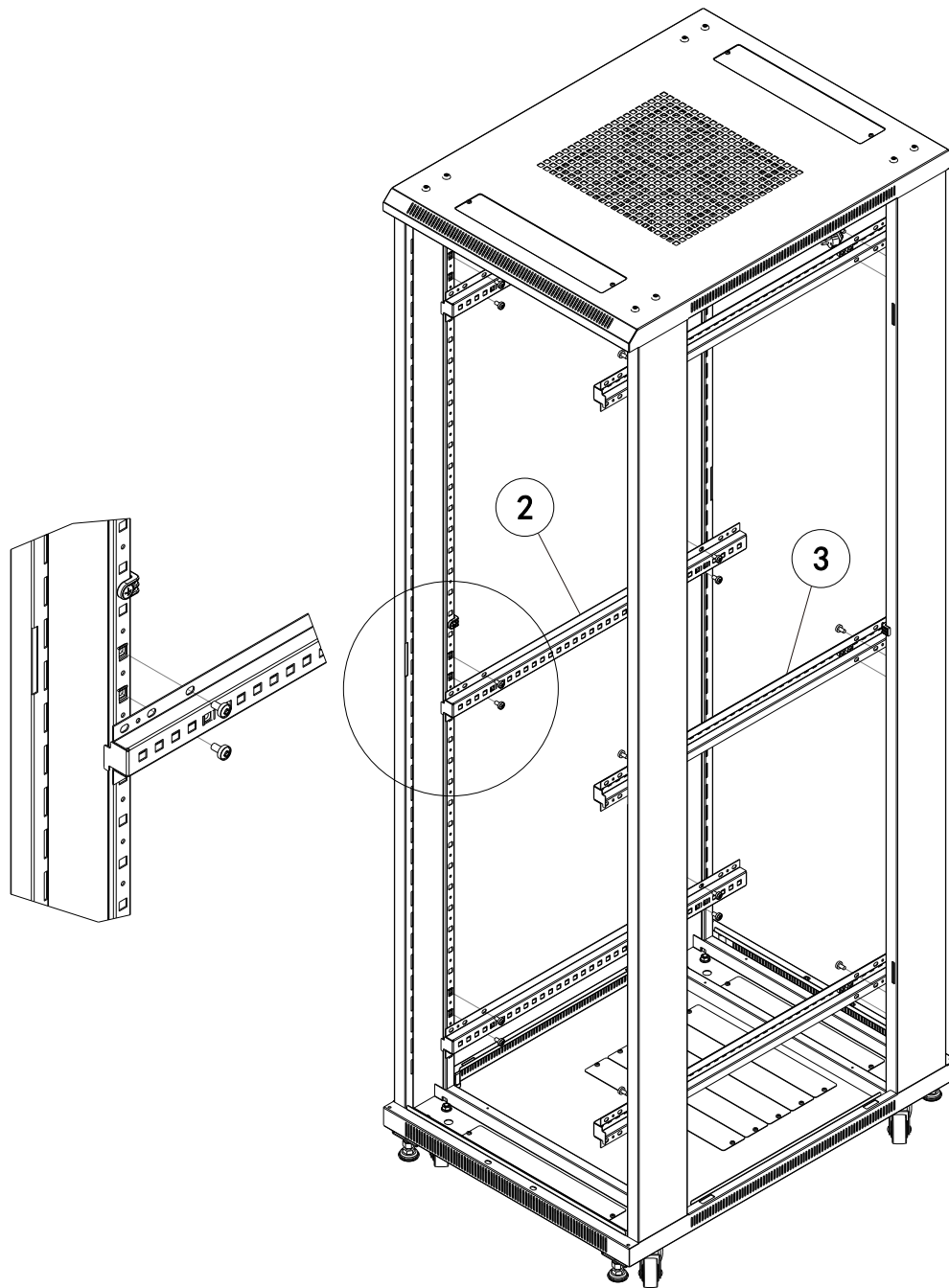
Install the cage nuts(H2x24) onto the mounting angles;
 Attention: The cage nuts on the front and rear frames, left and right mounting angles are on the same level.



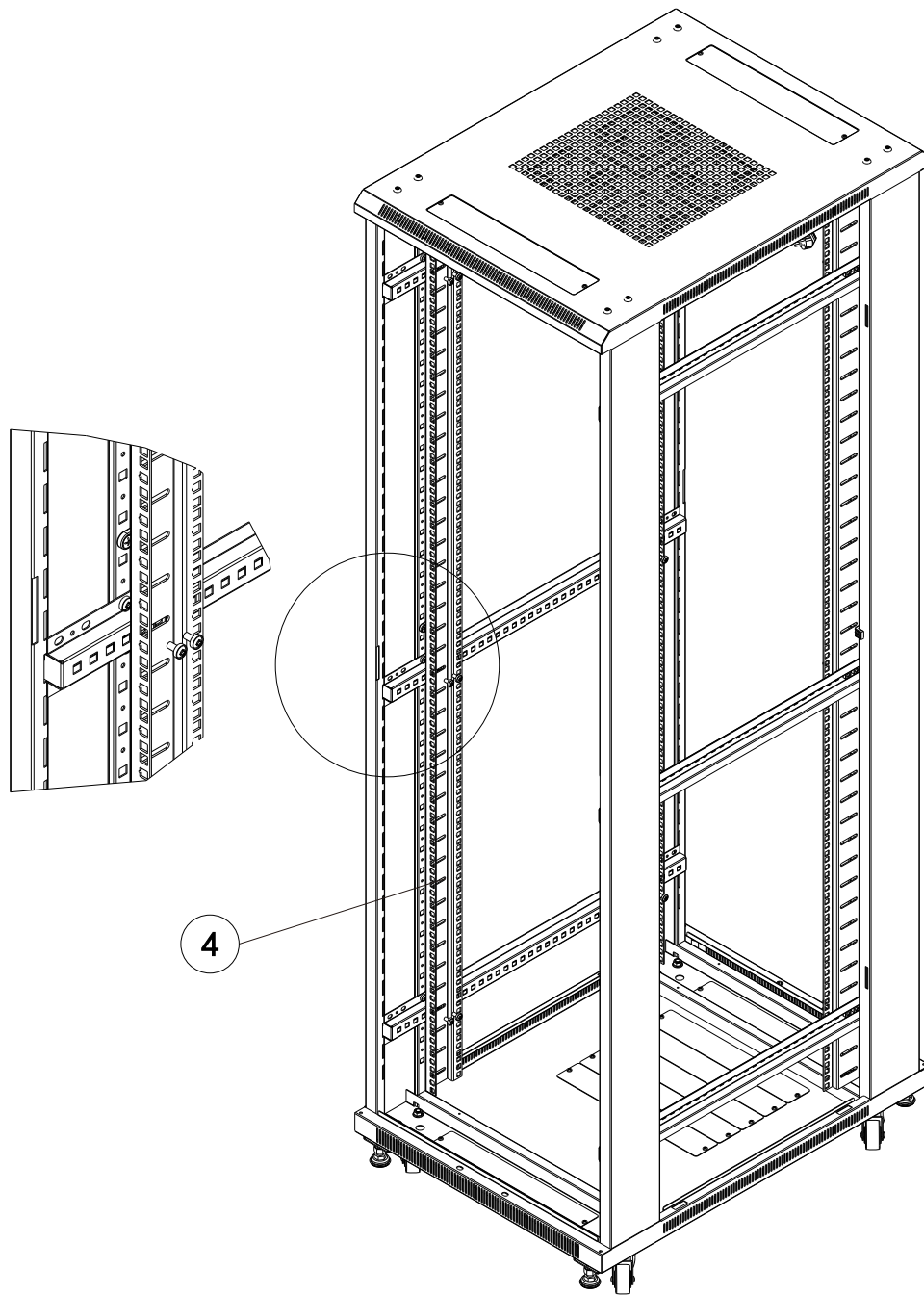
Step 2:
 Install the top cover, bottom
 cover (H4x16, H4x16) and the cover
 boards (H6x18) .



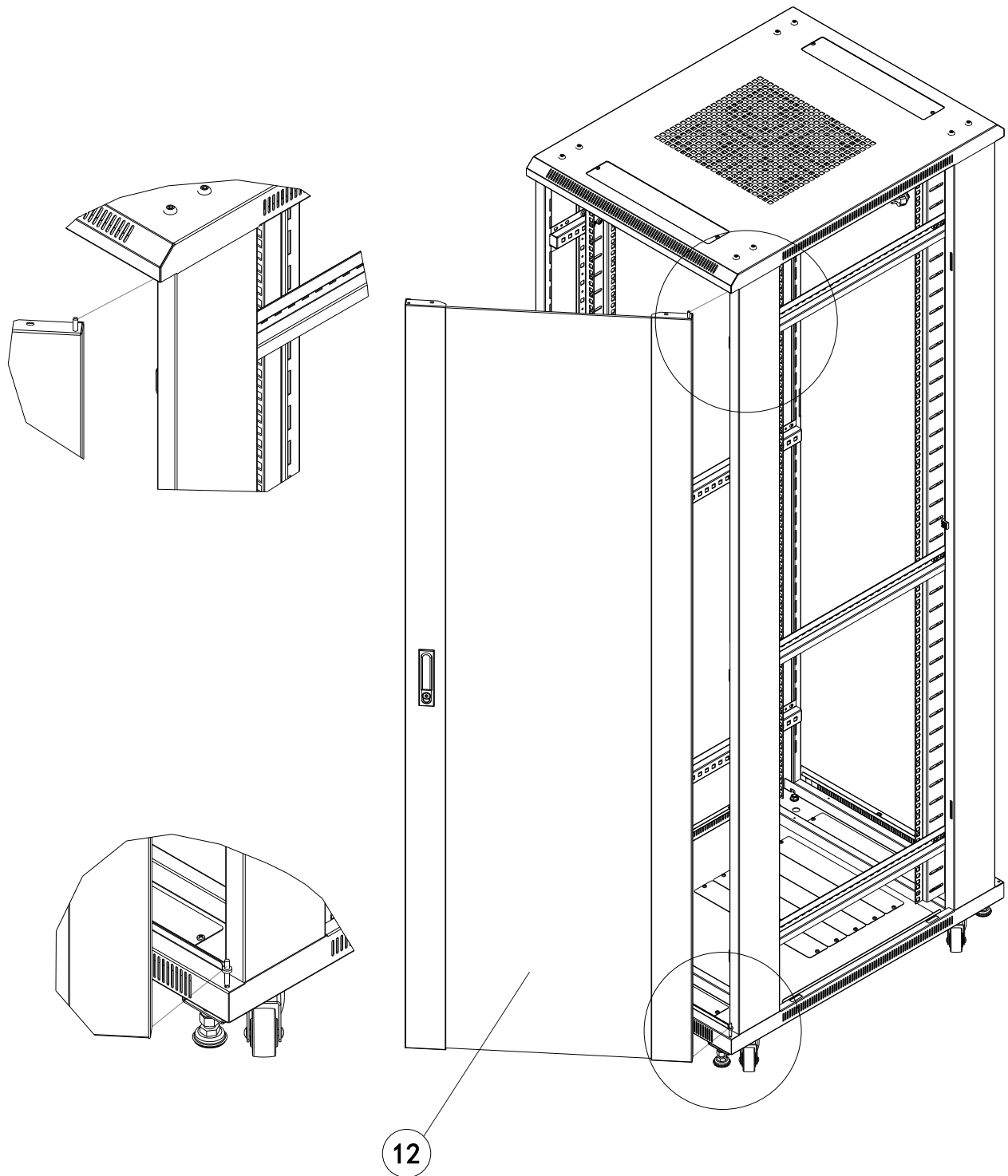
Step 3:
Install the fan tray (H6x4)、Castors (H7x16) and the adjustable feet.



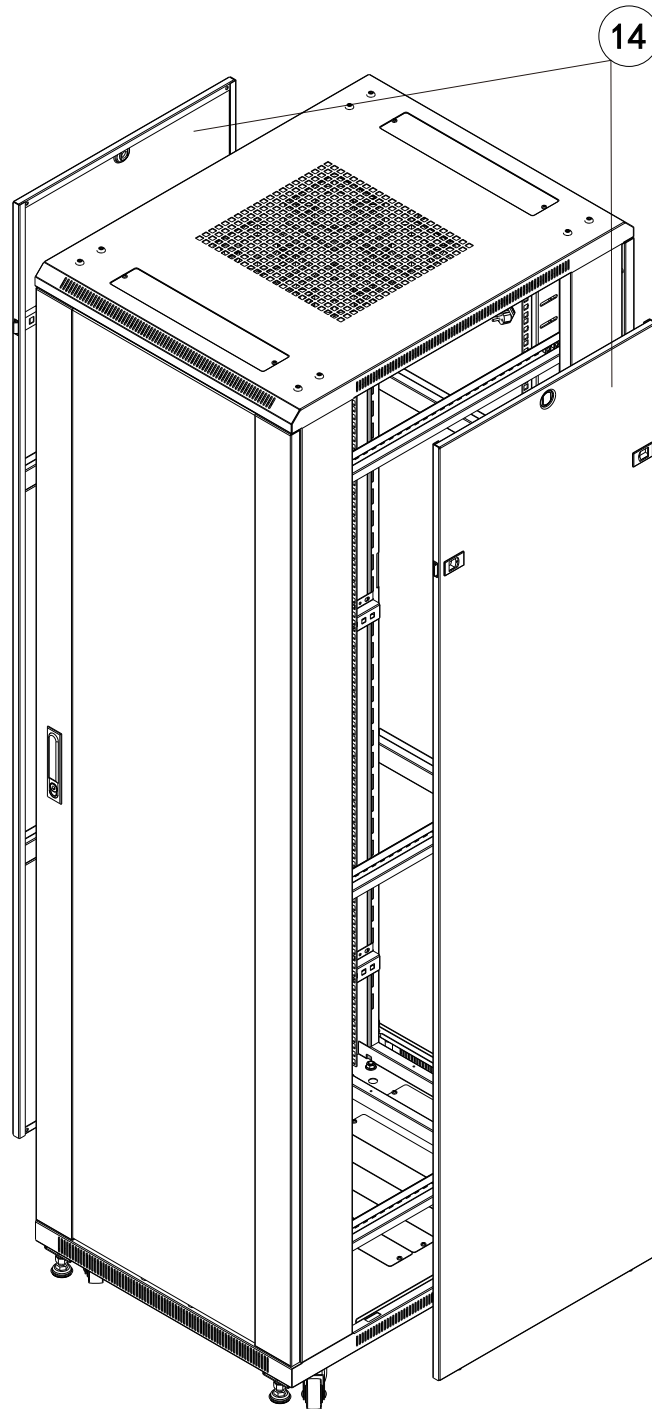
Step 4:
Install the mounting angles (H3x24) .



Step 5:
Install the mounting profiles (H3x24) .



Step 6:
Install the front door (H8x1) and rear door (H8x1).



Step 7:
Install the side panels.