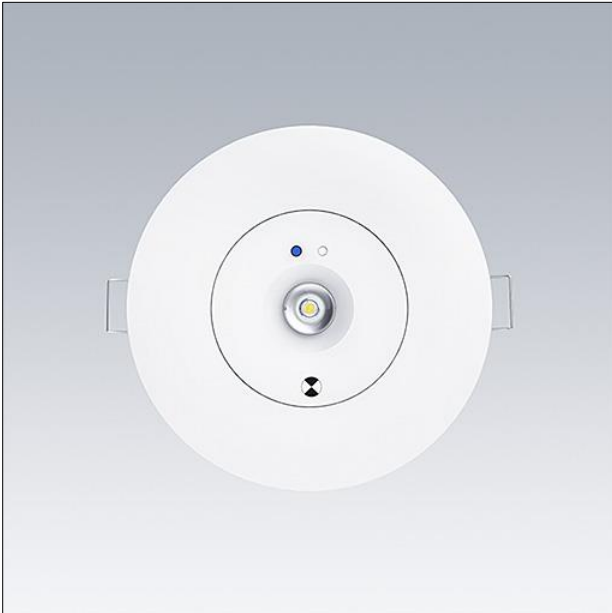
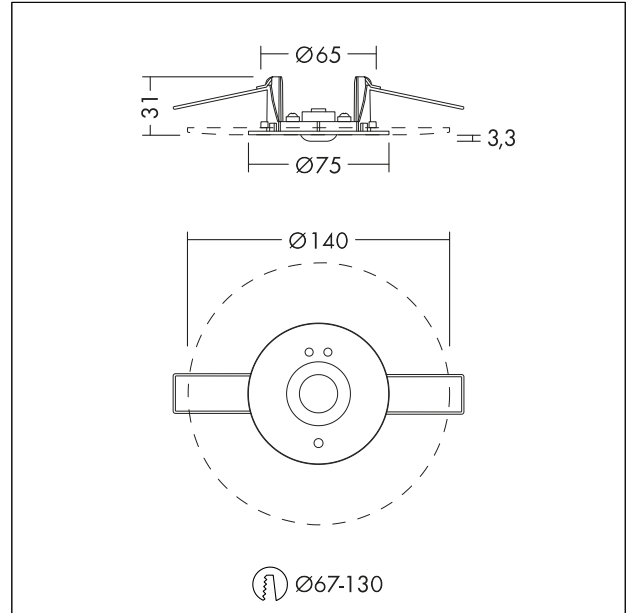


Emergency Downlight

Self-contained emergency LED downlight for cut outs 47 - 85mm with battery supply for 3 hour emergency lighting, change between Manual- (IEC 60598-2-22) and SelfTest(Autotest)(IEC 62034) by dip switch on site, supplied with a set of changeable optics for escape route (ESC) and antipanic (ENT) lighting, available accessory: surface mount box. Lifetime: 50.000hrs @L70, non-maintained operation mode, battery: LiFePO4 3,2V 1,6Ah, initial charging period: 24 hours. Dimensions: Ø140 x 3 mm, weight: 0.27 kg.



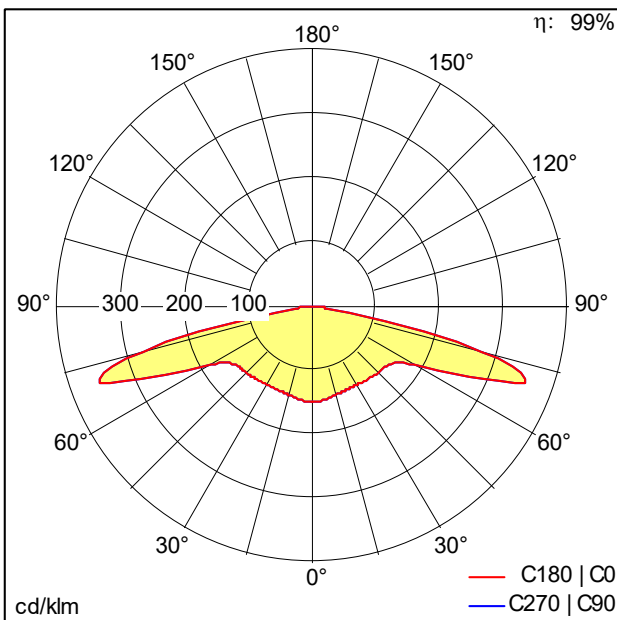
TE_IRIS_F_ANTIPANIC_FRONT.jpg



TE_IRIS_M_IRIS.wmf

Light Distribution

STD - standard



TE_IRIS_ANTIPANIC_SELFTEST_E3_LiFePO4.idt

- Light Source: LED
- Luminaire luminous flux*: 212 lm
- Colour Rendering Index min.: 70
- Correlated colour temperature*: 4000 Kelvin
- Chromaticity tolerance (initial MacAdam): 7
- Rated median useful life*:
L80 50000 h at 25 °C
- Standby Power*: 0.7 W
- Charging power: 2 W
- Service life rating: 3 h
- Maintenance category CIE 97: D - Enclosed IP2X

All values marked with an * are rated values. Connected electrical load and luminous flux are subject to an initial tolerance of +/- 10%, the most similar colour temperature is subject to an initial tolerance of +/- 150K. Unless stated otherwise, the values apply to an ambient temperature of 25°C.