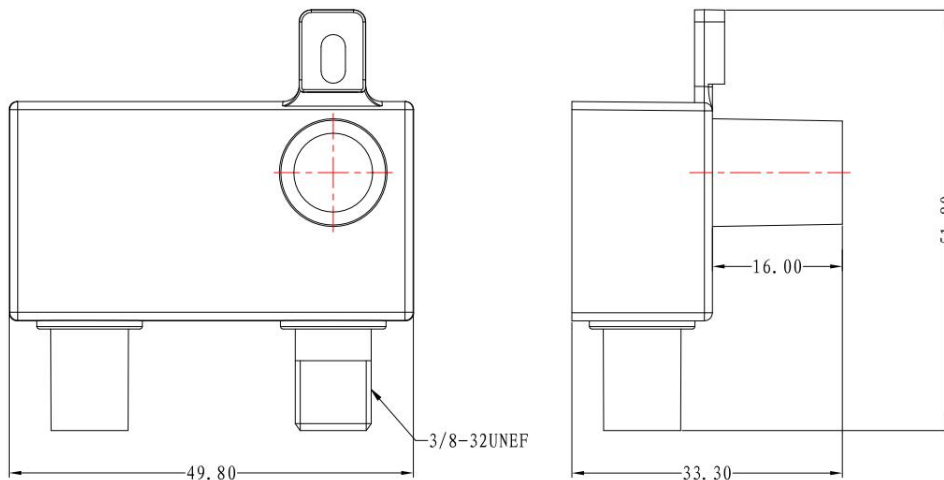


Features & Benefits:

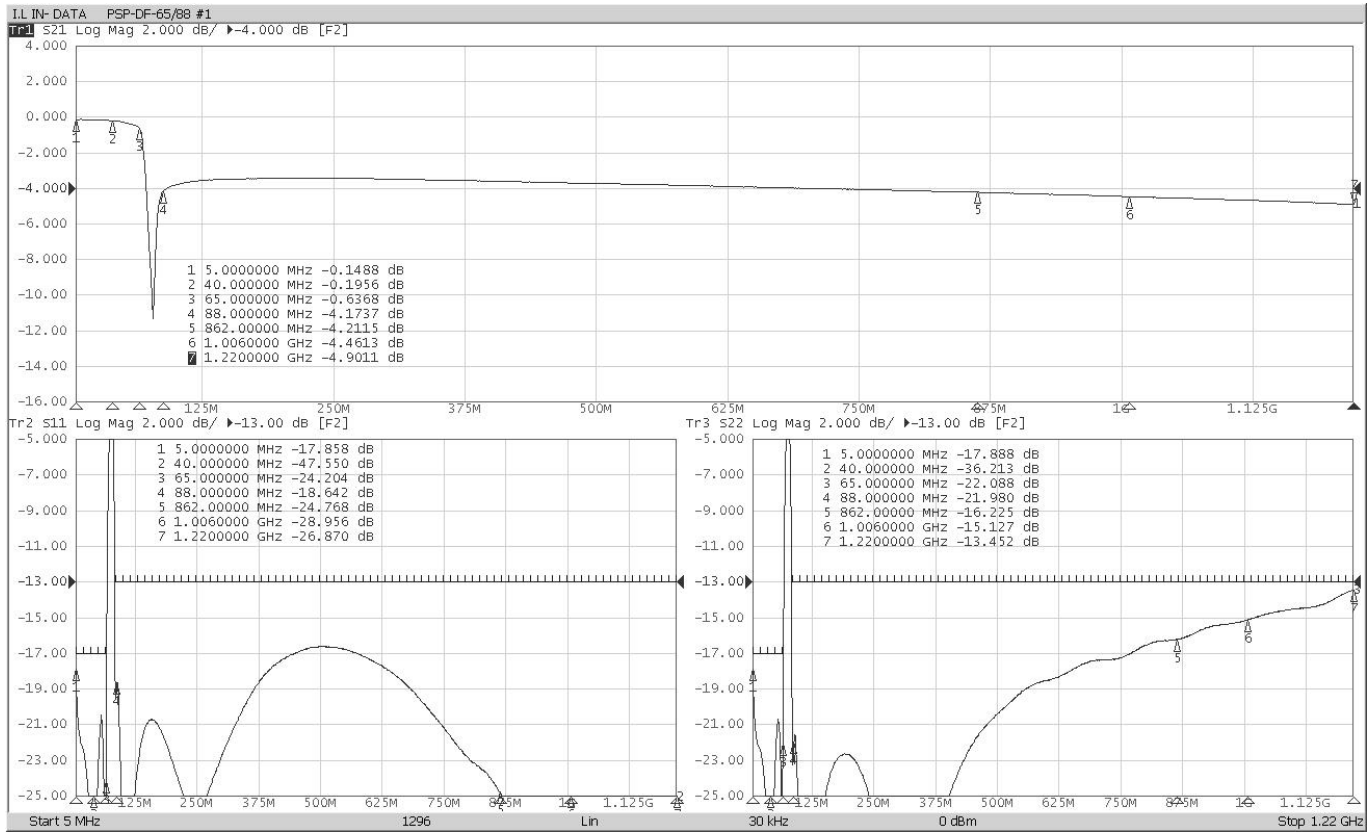
- Frequency range 5 - 1218 MHz
- Class A screening effectiveness
- 1x DATA Port (F-female)
- 1x TV Port (IEC male)
- Zinc die cast and tin-plated housing



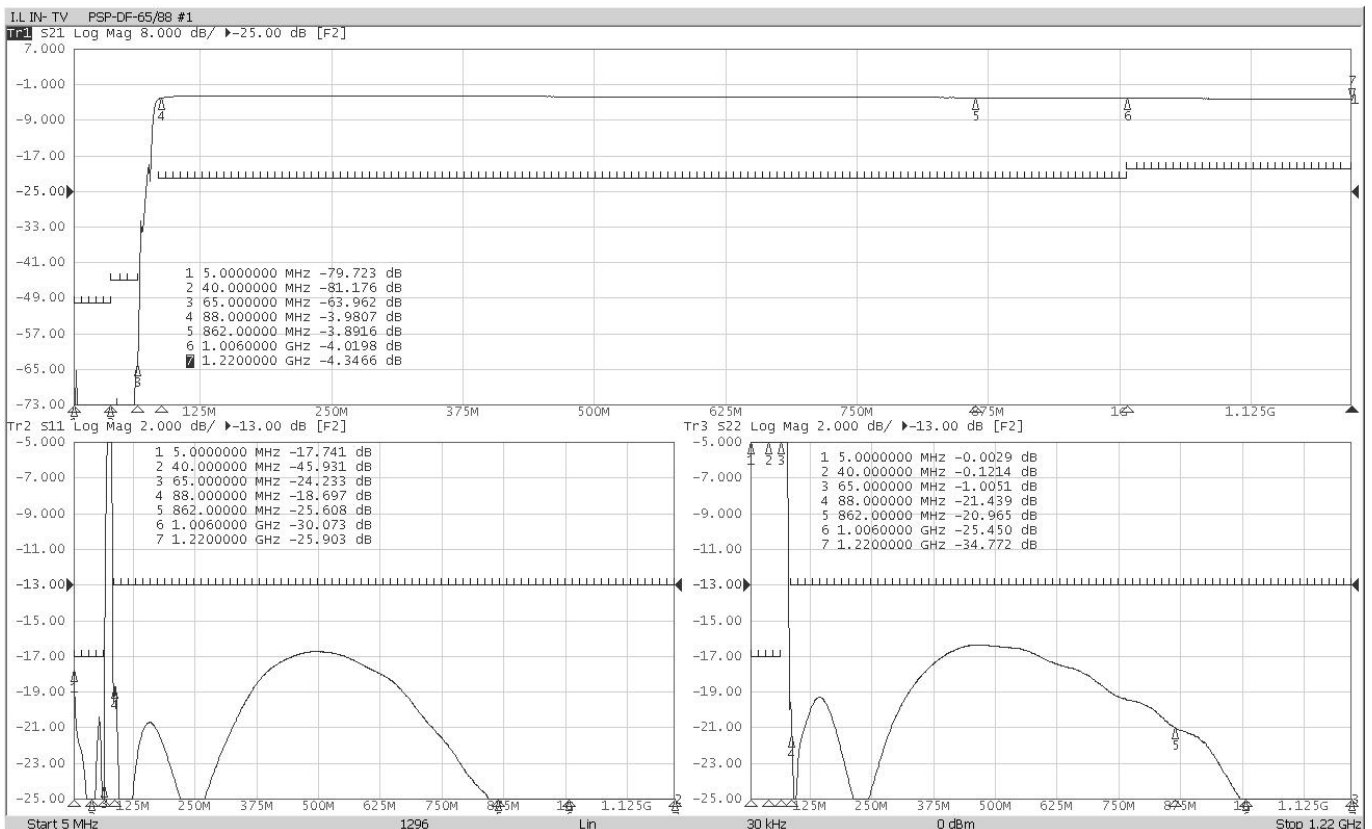
Frequency (MHz)	PSP-DF65/88
Restrain IN-TV (Min)	
5-40	50
40-65	40
Insertion Loss IN-TV (Max)	
88-862	5.0
862-1006	5.5
1006-1218	5.8
Insertion Loss IN-DATA (Max)	
5-65	1.5
88-862	5.0
862-1006	5.5
1006-1218	5.8
Isolation TV-DATA (Min)	
5-40	50
40-65	45
88-1006	22
1006-1218	20
Return Loss IN DATA (Min)	
5-65	17
88-1006	16
1006-1218	12
Return Loss TV (Min)	
88-1006	16
1006-1218	12
General Specifications	
Impedance	75Ω
Weight & Overall Dimensions	
Weight	0.061
Overall Dimensions	49.8*51.8*33.3mm



I.L IN-DATA#1



I.L IN-TV#1



ISO TV-DATA#1

