



QSG TSW010

[Main Page](#) > [TSW Switches](#) > [TSW010](#) > **QSG TSW010**

This Wiki page contains the online version of the **Quick Start Guide (QSG)** for the **TSW010 Ethernet switch**. Here you will find an overview of the various components on the front and back of a TSW010 device, hardware installation instructions, first login information, device specifications, and general safety information. It is highly recommended to acquaint yourself with the Quick Start Guide before using the device. You can also locate a printed version of the Quick Start Guide in the packaging box of your device.



Safety information

Before starting operating the device, please review recommendations and precautions to minimize the possibility of accidents. Safety precautions presented are supplementary and subject to the local safety regulations. When various operations are executed on the device, the user must fully follow the safety instructions and recommendations provided with the device.

General

Technical specifications	
Input voltage range	9 - 30 VDC
Max power consumption	0.9 W
Bundled accessories specifications*	
Power adapter	No accessories

* Order code dependant.

TSW010 switch must be used in compliance with any and all applicable national and international laws and with any special restrictions regulating the utilization of the communication module in prescribed applications and environments.

CE Declaration of Conformity

[BG] Bulgarian	С настоящето, TELTONIKA NETWORKS декларира, че TSW010 е в съответствие със съществените изисквания и другите приложими разпоредби на Директива 2014/30/EU, 2014/35/EU.
[HR] Croatian	Ovim TELTONIKA NETWORKS izjavljuje da je ovaj TSW010 u skladu s bitnim zahtjevima i ostalim relevantnim odredbama Direktive 2014/30/EU, 2014/35/EU.
[CZ] Czech	TELTONIKA NETWORKS tímto prohlašuje, že TSW010 splňuje základní požadavky a všechna příslušná ustanovení Směrnice 2014/30/EU, 2014/35/EU.
[DK] Danish	Undertegnede TELTONIKA NETWORKS erklærer herved, at følgende udstyr TSW010 overholder de væsentlige krav og øvrige relevante krav i direktiv 2014/30/EU, 2014/35/EU.
[NL] Dutch	Hereby, TELTONIKA NETWORKS declares that this TSW010 is in compliance with the essential requirements and other relevant provisions of Directive 2014/30/EU, 2014/35/EU.
[EE] Estonian	Käesolevaga kinnitab TELTONIKA NETWORKS seadme TSW010 vastavust direktiivi 2014/30/EU, 2014/35/EU põhinõuetele ja nimetatud direktiivist tulenevatele teistele asjakohastele sätetele.
[FI] Finish	TELTONIKA NETWORKS vakuuttaa täten että TSW010 tyyppinen laite on direktiivin 2014/30/EU, 2014/35/EU oleellisten vaatimusten ja sitä koskevien direktiivin muiden ehtojen mukainen.
[FR] French	TELTONIKA NETWORKS déclare que cette TSW010 est conforme aux exigences essentielles et aux autres dispositions pertinentes de la directive 2014/30/EU, 2014/35/EU.
[DE] German	Hiermit erklärt TELTONIKA NETWORKS, dass dieser TSW010 den grundlegenden Anforderungen und anderen relevanten Bestimmungen der Richtlinie 2014/30/EU, 2014/35/EU entspricht.
[GR] Greek	ΜΕ ΤΗΝ ΠΑΡΟΥΣΑ Ο ΚΑΤΑΣΚΕΥΑΣΤΗΣ TELTONIKA NETWORKS ΔΗΛΩΝΕΙ ΟΤΙ ΤSW010 ΣΥΜΜΟΡΦΩΝΕΤΑΙ ΠΡΟΣ ΤΙΣ ΟΥΣΙΩΔΕΙΣ ΑΠΑΙΤΗΣΕΙΣ ΚΑΙ ΤΙΣ ΛΟΙΠΕΣ ΣΧΕΤΙΚΕΣ ΔΙΑΤΑΞΕΙΣ ΤΗΣ ΟΔΗΓΙΑΣ 2014/30/EU, 2014/35/EU.
[HU] Hungarian	A TELTONIKA NETWORKS ezzennel kijelenti, hogy a TSW010 típusú berendezés teljesíti az alapvető követelményeket és más 2014/30/EU, 2014/35/EU irányelvben meghatározott vonatkozó rendelkezéseket.
[IE] Irish	Leis seo, dearbhaíonn TELTONIKA NETWORKS go gcomhlíonann an TSW010 seo bunriachtanais agus forálacha ábhartha eile Threoir 2014/30/EU, 2014/35/EU.
[IT] Italian	Con la presente, TELTONIKA NETWORKS dichiara che questo TSW010 è conforme ai requisiti essenziali e ad altre disposizioni pertinenti della Direttiva 2014/30/EU, 2014/35/EU.
[LV] Latvian	Ar šo TELTONIKA NETWORKS deklarē, ka TSW010 atbilst Direktīvas 2014/30/EU, 2014/35/EU būtiskajām prasībām un citiem ar to saistītajiem noteikumiem.
[LT] Lithuanian	Šiuo dokumentu UAB TELTONIKA NETWORKS deklaruoja, kad šis TSW010 atitinka esminius reikalavimus ir kitas 2014/30/EU, 2014/35/EU Direktyvos nuostatas.
[MT] Maltese	Hawnhekk, TELTONIKA NETWORKS tiddikjara li dan I-TSW010 huwa konformi mar-rekwiżiti essenzjali u dispożizzjonijiet rilevanti oħra tad Direttiva 2014/30/EU, 2014/35/EU.
[NO] Norwegian	TELTONIKA NETWORKS Erklærer herved at TSW010 er i samsvar med de grunnleggende krav og øvrige relevante krav i direktiv 2014/30/EU, 2014/35/EU.
[PL] Polish	Niniejszym TELTONIKA NETWORKS deklaruje że TSW010 jest zgodny z zasadniczymi wymaganiami i innymi właściwymi postanowieniami Dyrektywy 2014/30/EU, 2014/35/EU.
[PT] Portuguese	Eu, TELTONIKA NETWORKS declaro que o TSW010 cumpre os requisitos essenciais e outras provisões relevantes da Directiva 2014/30/EU, 2014/35/EU.
[RO] Romanian	Prin prezenta, TELTONIKA NETWORKS declară că aparatul TSW010 este în conformitate cu cerințele esențiale și cu alte prevederi pertinente ale Directivei 2014/30/EU, 2014/35/EU.
[SK] Slovak	Spoločnosť TELTONIKA NETWORKS týmto vyhlasuje, že smerovač TSW010 je v súlade so základnými požiadavkami a ďalšími príslušnými ustanoveniami smernice 2014/30/EU, 2014/35/EU.
[SI] Slovenian	TELTONIKA NETWORKS izjavlja, da je ta TSW010 v skladu z bistvenimi zahtevami in drugimi relevantnimi določili direktive 2014/30/EU, 2014/35/EU.
[ES] Spanish	Por la presente, TELTONIKA NETWORKS declara que este TSW010 cumple con los requisitos esenciales y otras exigencias relevantes de la Directiva 2014/30/EU, 2014/35/EU.

[SE]
Swedish

Härmed intygar TELTONIKA NETWORKS att denna TSW010 är i överensstämmelse med de väsentliga egenskapskrav och övriga relevanta bestämmelser som framgår av direktiv 2014/30/EU, 2014/35/EU.

FCC

This device complies with Part 15 of the FCC Rules. Operation is subject to the following two conditions:

1. This device may not cause harmful interference.
2. This device must accept any interference received, including interference that may cause undesired operation."

日本国内専用です

本製品を電気通信事業者（移動体通信事業者、固定通信事業者、インターネットプロバイダなど）の電気通信回線（または公衆無線LAN）に直接接続することはできません。電気通信事業者の公衆電気通信回線設備に接続する場合は、必ず日本の「電気通信事業法」で認められた機器（ルーター、ゲートウェイ、モデムなど）を介して接続してください。

Detailed compliance information is available at the following internet address: wiki.teltonika-networks.com/view/Certificates (<https://wiki.teltonika-networks.com/view/Certificates>).



This sign means that it is necessary to read the User's Manual before you start using the device.



This sign on the package means that all used electronic and electric equipment should not be mixed with general household waste.

Operating conditions

- Operating temperature: -40° to +75° Celsius
- Humidity should be in the range of 5% to 95% (non-condensing). Only use the device in dry environments.
- Out of direct sunlight
- Away from heat source, corrosive substances, salts, and flammable gases

Attention: operation outside the permissible range can considerably shorten the service life of the device.

Faulty and damaged products

- Do not attempt to disassemble the device or its accessories.
- Only qualified personnel must service or repair the device or its accessories.

- If your device or its accessories have been submerged in water punctured or subjected to a severe fall, do not use until they have been checked at an authorized service center.

Electrical safety

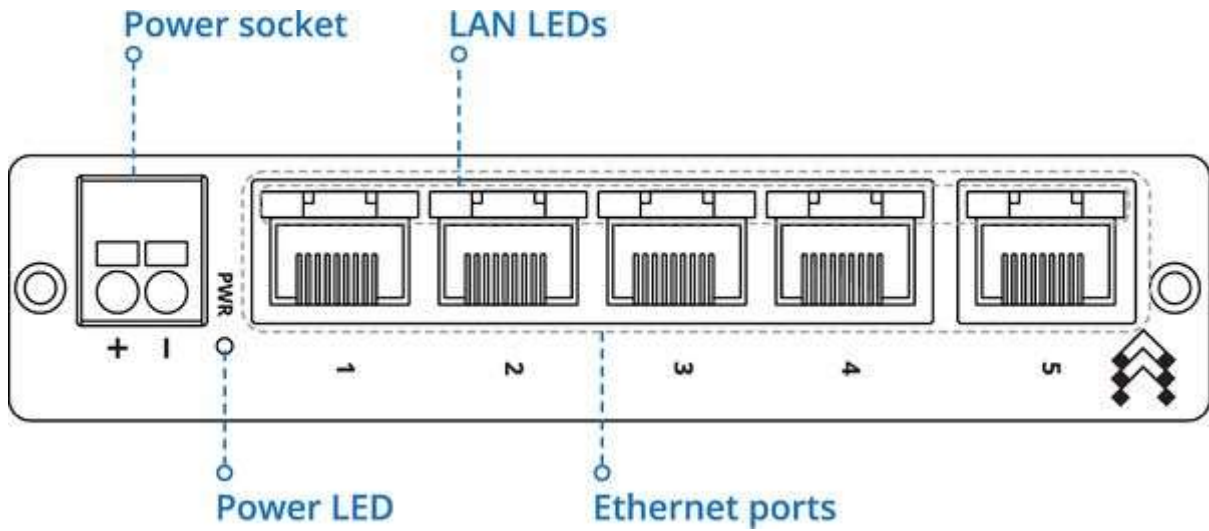
- Only use approved accessories.
- Do not connect with incompatible products or accessories.

Product handling

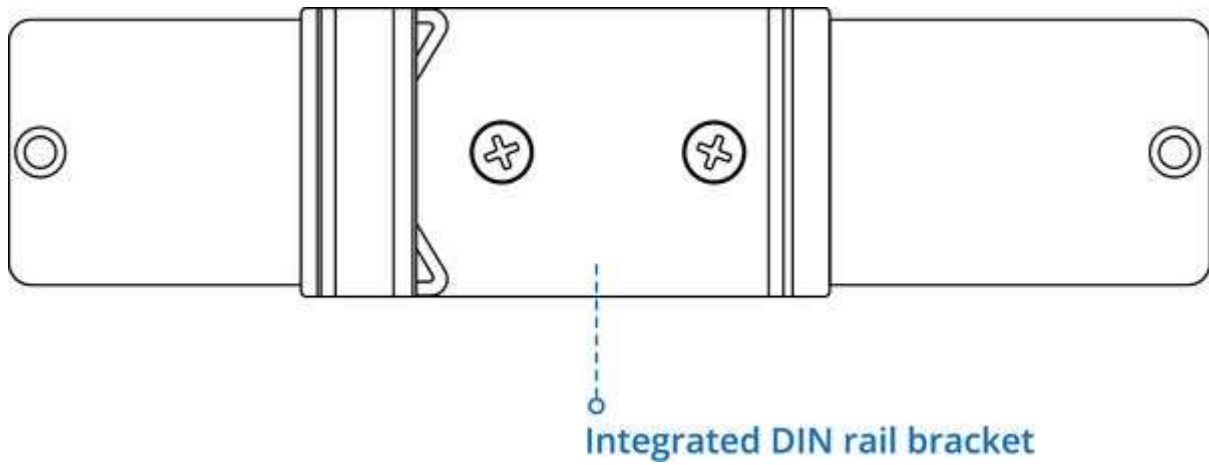
- You alone are responsible for how you use your device and any consequences related to its use.
- Use of your device is subject to safety measures designed to protect users and their environment.
- Always treat your device and its accessories with care and keep it in a clean and dust-free place.
- Do not expose your device or its accessories to open flames, lit tobacco products, liquid, moisture, or high humidity.
- Do not drop, throw or try to bend your device or its accessories.
- Do not use harsh chemicals, cleaning solvents, or aerosols to clean the device or its accessories.
- Do not paint your device or its accessories.
- Do not attempt to disassemble your device (exemptions for devices that require disassembly for SIM insertion) or its accessories: it does not contain any user-serviceable parts. For safety reasons, the equipment should be opened only by qualified personnel.
- Make sure to use ESD personal protective equipment while the equipment is serviced.
- Do not use your device in an enclosed environment where heat dissipation is poor.
- Prolonged use in such space may cause excessive heat and raise ambient temperature, which will lead to the automatic shutdown of your device or the disconnection of the mobile network connection for your safety. To use your device again after such a shutdown, cool it in a well-ventilated place before turning it on.
- Please check all national laws and local regulations for the disposal of electronic products.
- Do not operate the device where ventilation is restricted.
- Do not use or install this product near water to avoid fire or shock hazards.
- Avoid exposing the equipment to rain or damp areas.
- Arrange power and Ethernet cables so that they are not likely to be stepped on or have items placed on them.
- Ensure that the voltage and the rated current of the power source match the device's requirements. Do not connect the device to an inappropriate power source.
- During a thunderstorm, no operations should be carried out on the device and cables.
- The unit must be powered off where blasting is in progress and explosive atmospheres are present or near medical life support equipment.
- Do not leave your device and its accessories within reach of small children or allow them to play with it. They could hurt themselves or others and could accidentally damage the device. Your device contains small parts with sharp edges that may cause an injury choking hazard.
- Like any wireless device, this device operates using radio signals, which cannot guarantee connection in all conditions. Therefore, you must never rely solely on any wireless device for emergency communications or otherwise use the device in situations where the interruption of data connectivity could lead to death, personal injury, property damage, data, or other loss.

- The device may become warm during regular use.

Front view



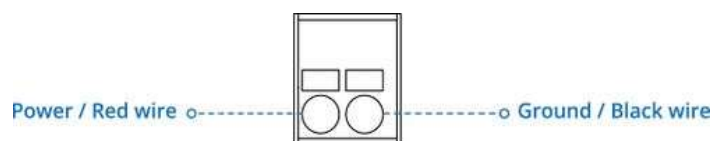
Back view



Connectors

POWER SOCKET PINOUT

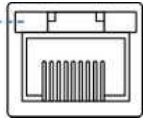
NO.	DESCRIPTION	WIRE COLOR
1	Power	Red
2	Ground	Black



RJ45 LED MEANING

NO.	DESCRIPTION
1	Orange LED on: link established 10/100 Mbps Orange LED blinking: active connection

Orange LED on: link established
10/100 Mbps
Orange LED blinking: active connection



Video Quick Start Guide

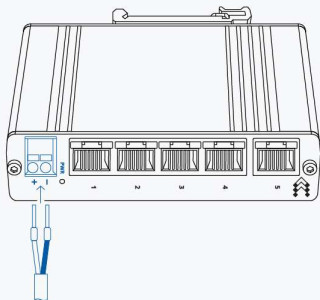
Need some help setting up your Teltonika Networks TSW010? Watch our quick start guide video and follow the step-by-step instructions to easily set up your new device for operation.

TSW010 - Din Rail Switch | Quick Start Guide

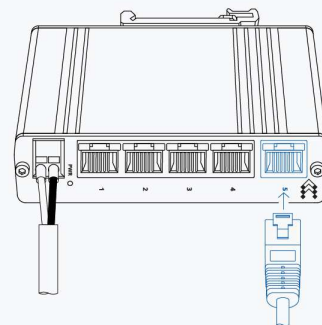


Hardware installation

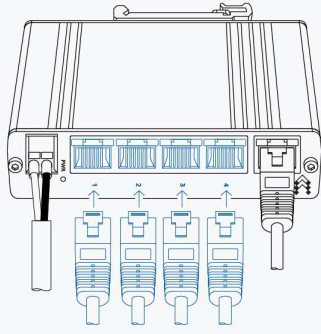
1. Connect the 2-pin connector to the power socket at the front of the device. Then plug the power adapter into an electric outlet.



2. Connect your primary internet router/modem to TSW010 LAN port 5.



3. Connect the end devices to TSW010 ports numbered 1 to 4.



Retrieved from "https://wiki.teltonika-networks.com/index.php?title=QSG_TSW010&oldid=129361"

■