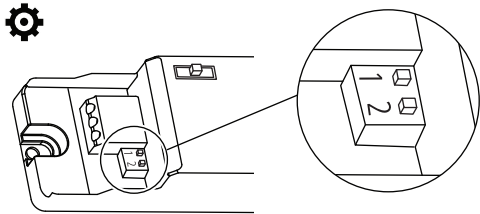
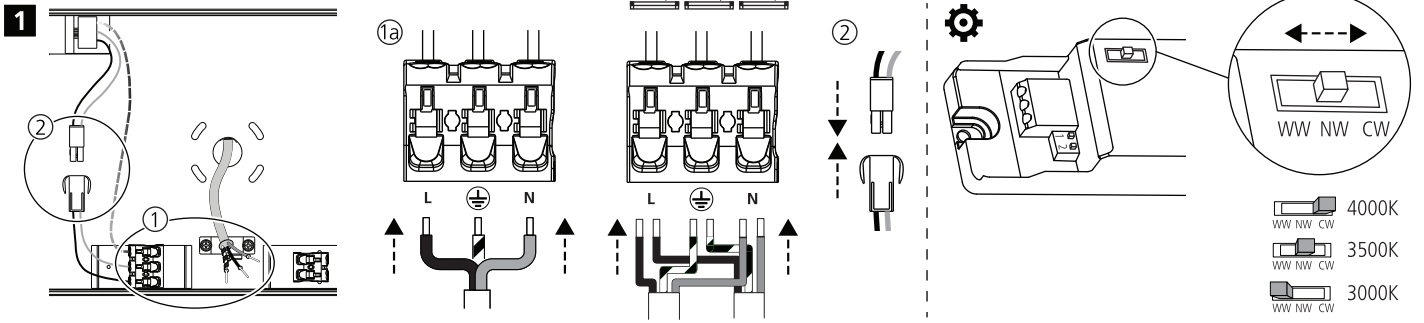


VI a 220-240V~

①b Total max. 3A

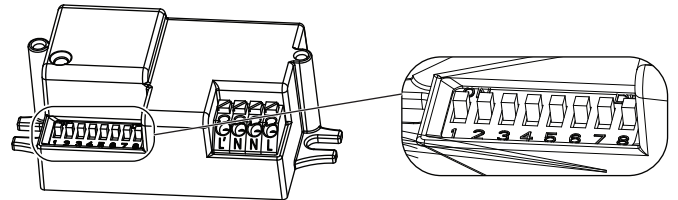
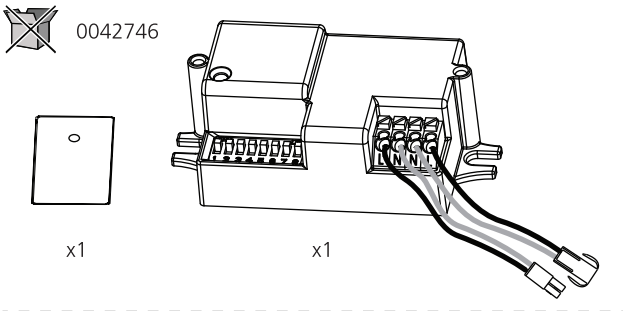


ON
●
▲
□
○
OFF

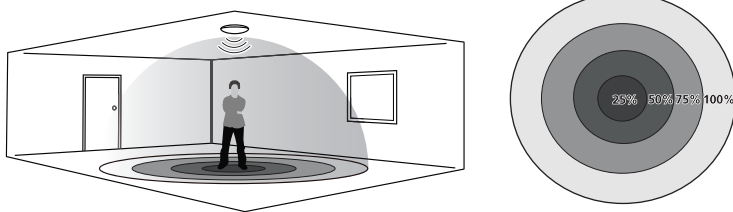
1200 mm non-dimmable				Luminous flux [lm]		
1	2	Rated Current [mA]	System Power [W]	3000K	3500K	4000K
●	○	300	27.0	3600	3900	3900
○	●	250	23.0	3100	3300	3300
○	○	200	19.0	2500	2700	2700

1500 mm non-dimmable				Luminous flux [lm]		
1	2	Rated Current [mA]	System Power [W]	3000K	3500K	4000K
●	●	350	32.0	4300	4600	4600
●	○	300	27.0	3700	4000	4000
○	●	250	23.0	3100	3400	3400

VI b 220-240V~ +

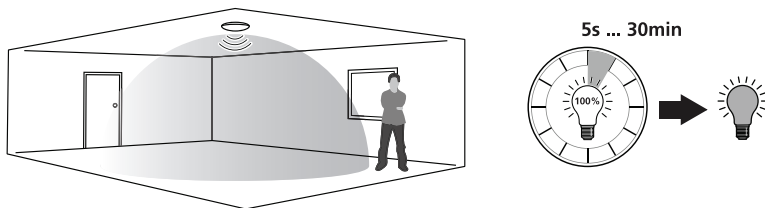


Sensitivity/Detection Area



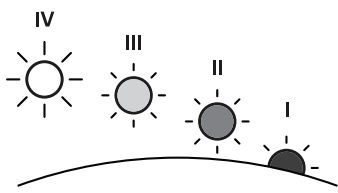
ON	1	2	
●	●	●	100%
▲	●	○	75%
□	○	●	50%
○	○	○	25%
OFF			

Hold time



ON	3	4	5	
●	●	●	●	5s
▲	●	●	○	30s
□	●	○	●	1min
○	●	○	○	3min
OFF	○	●	●	5min
	○	●	○	10min
	○	○	●	20min
	○	○	○	30min

Daylight sensor

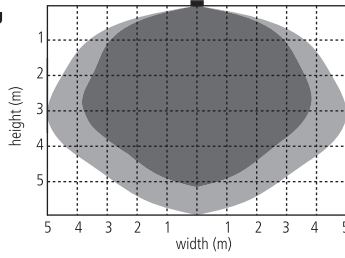


	6	7	8	
ON	●	●	●	
OFF	○	○	○	
I	●	●	●	2Lux
II	●	●	○	10Lux
III	○	●	○	25Lux
IV	●	○	○	50Lux
V	○	○	○	Disable

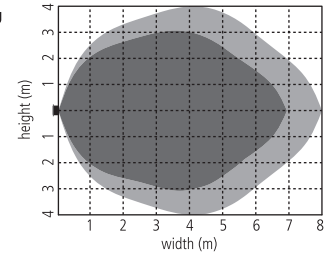
Detection range

- high sensitivity area
- low sensitivity area

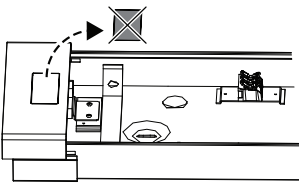
Ceiling mounting



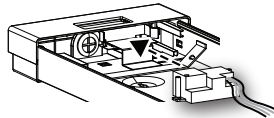
Wall mounting



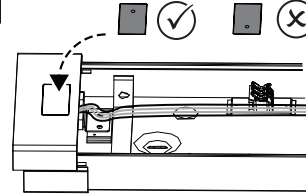
1



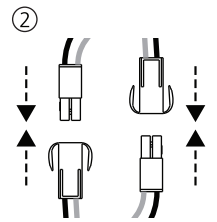
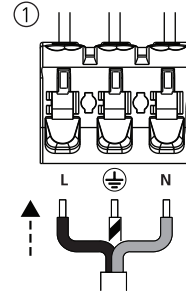
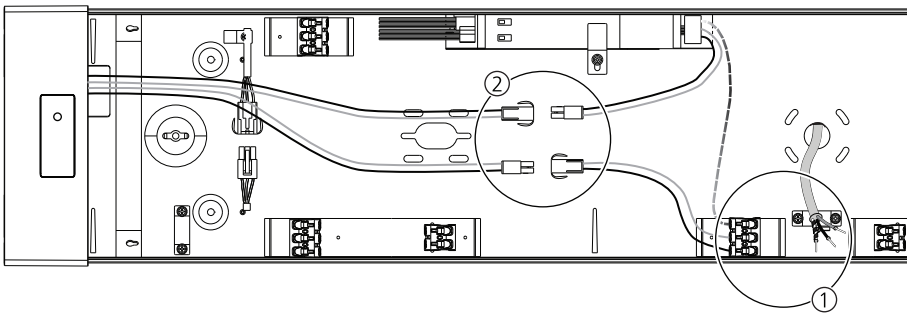
2



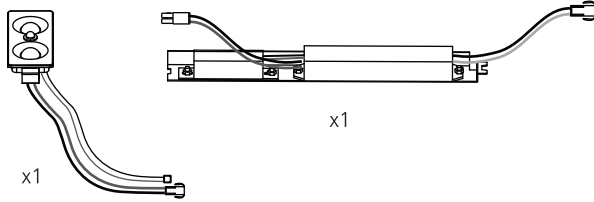
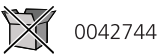
3



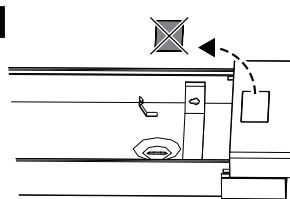
4



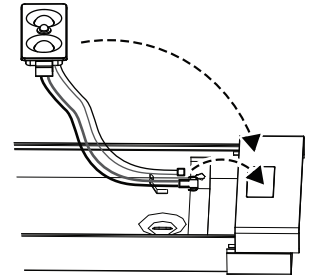
VI c 220-240V- +



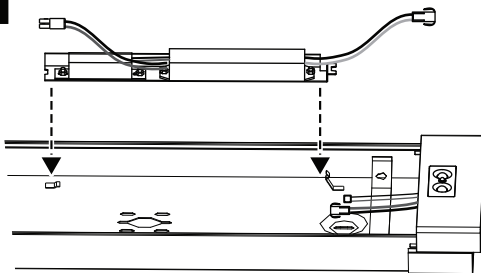
1

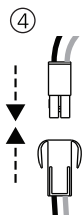
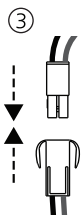
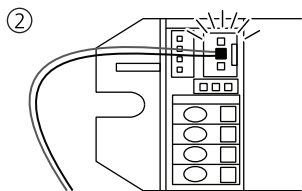
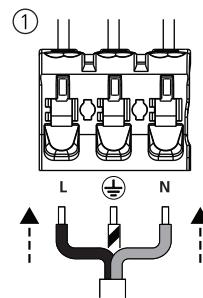
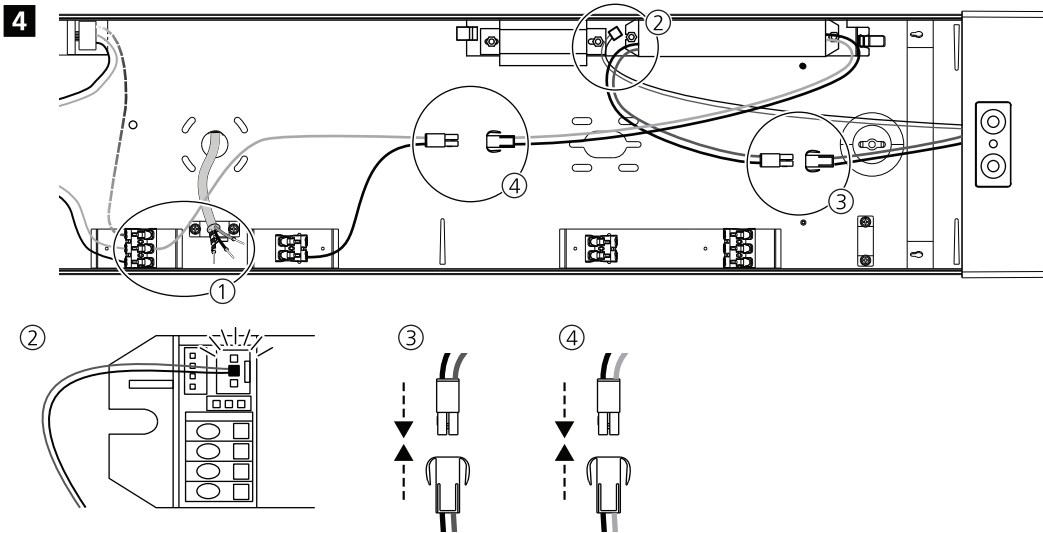


2

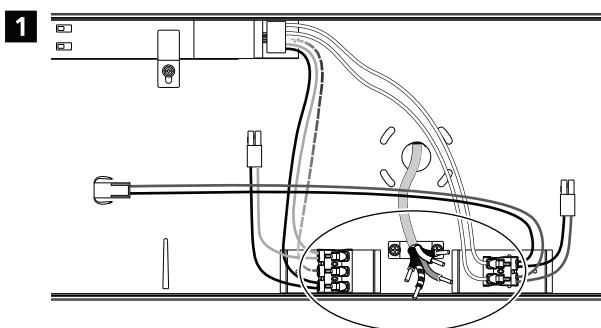


3

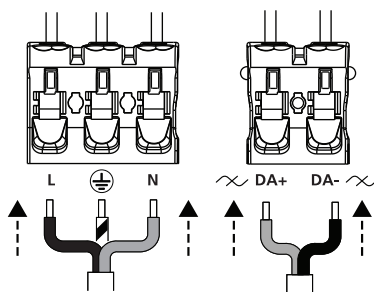




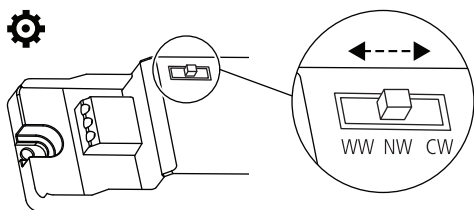
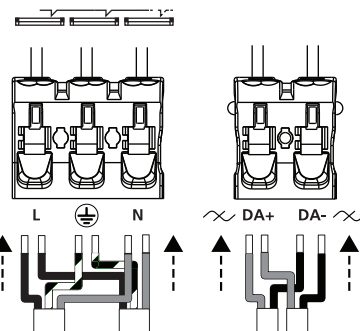
VI d ⚡ 220-240V~ + DALI ~



a



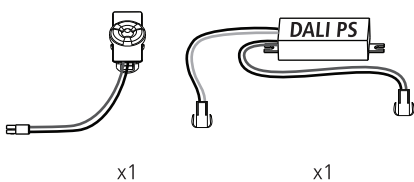
b Total max. 3A



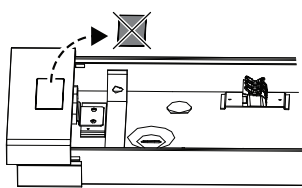
- WW NW CW 4000K
- WW NW CW 3500K
- WW NW CW 3000K

VI e ⚡ 220-240V~ + DALI ~ + SSA

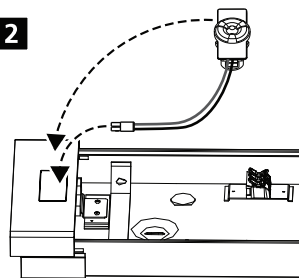
~~0042747~~



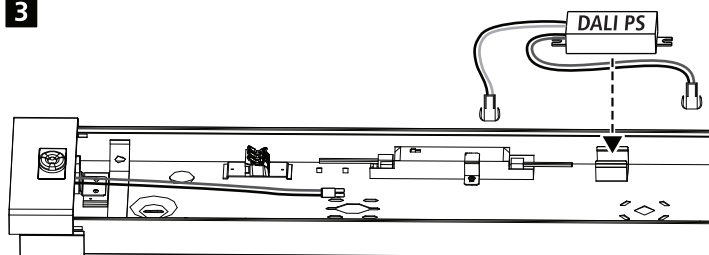
1

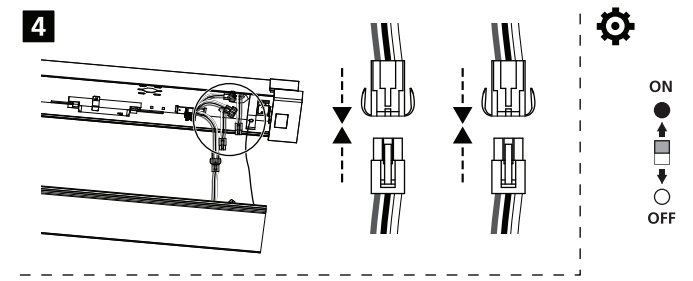
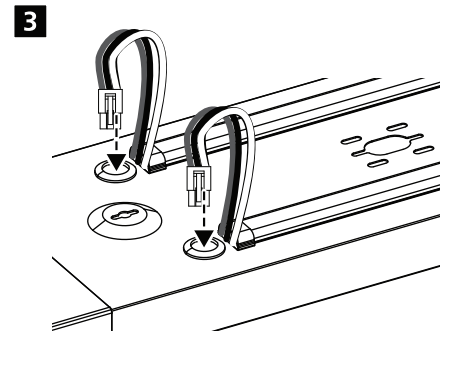
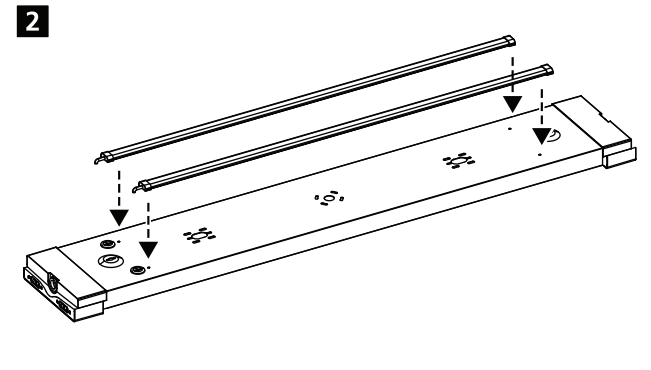
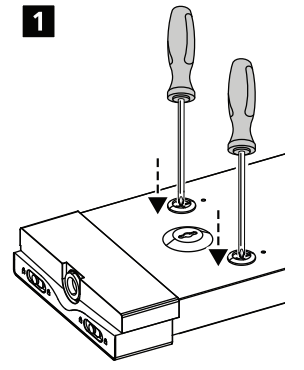
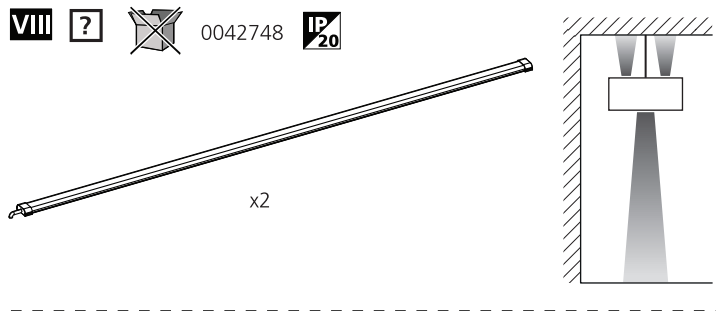
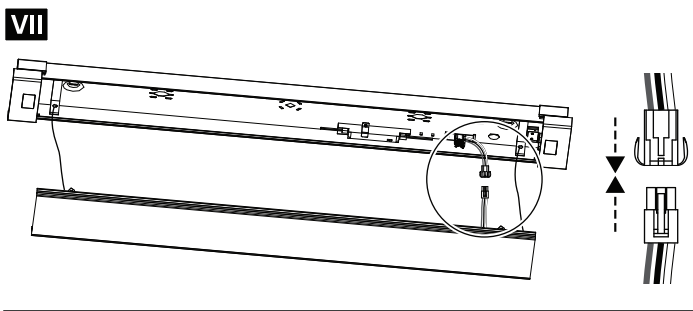
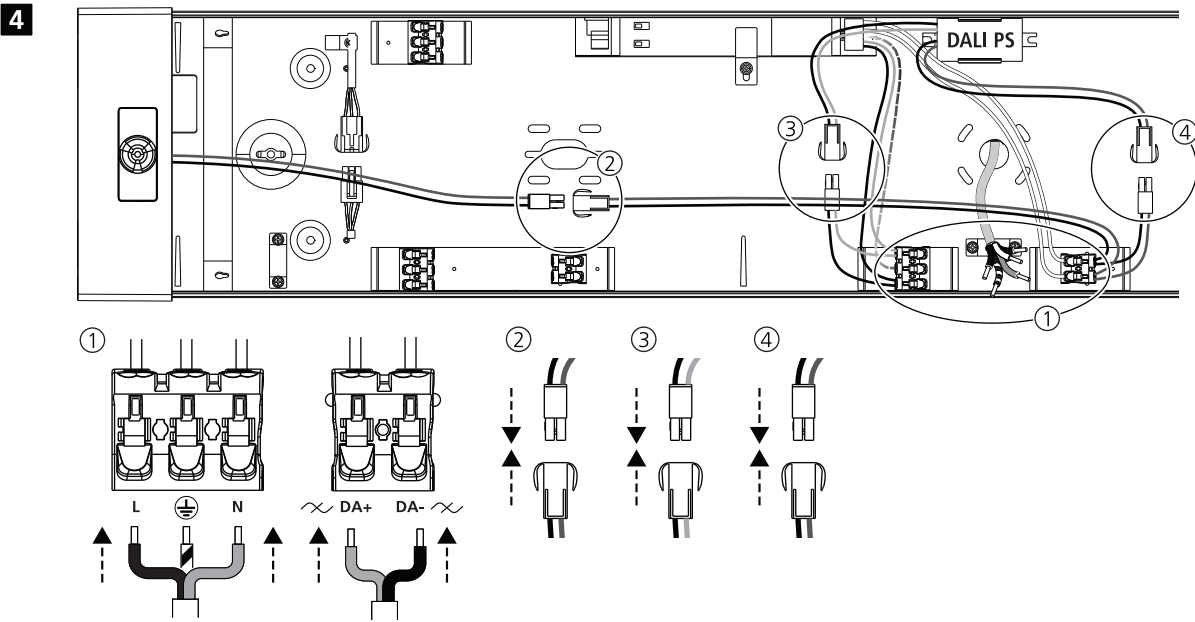


2



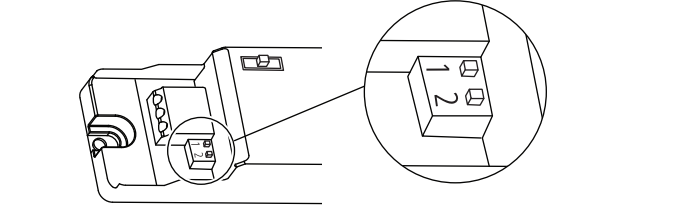
3

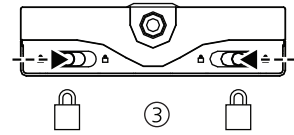
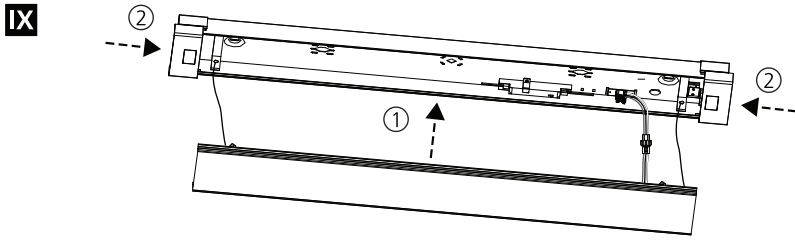




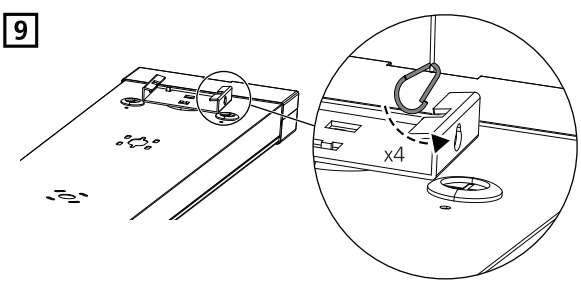
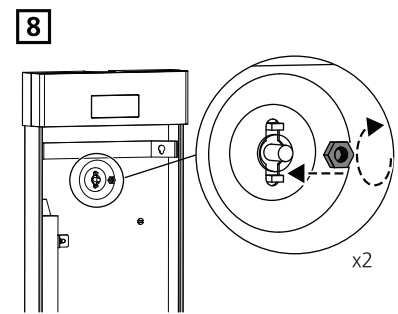
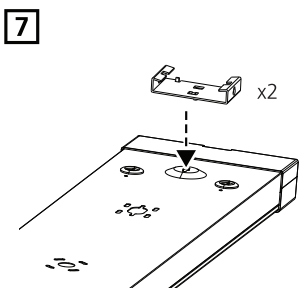
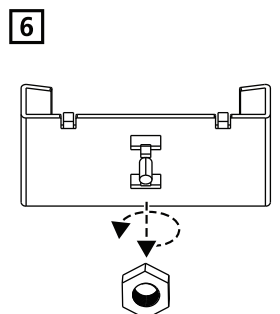
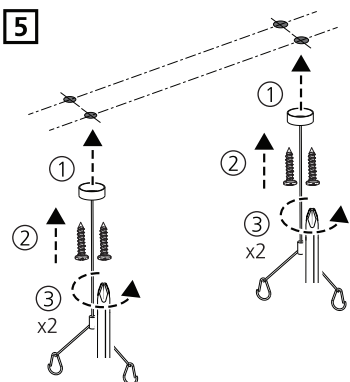
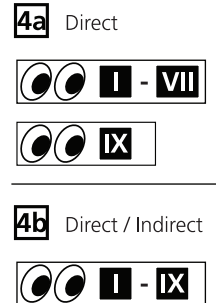
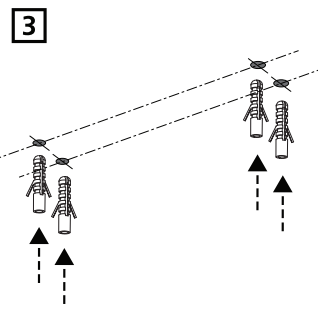
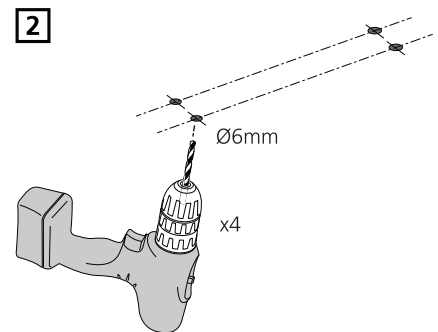
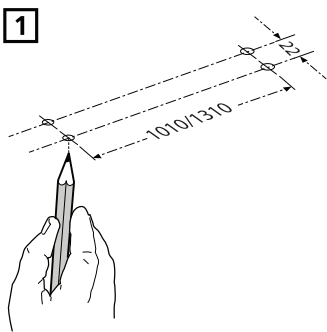
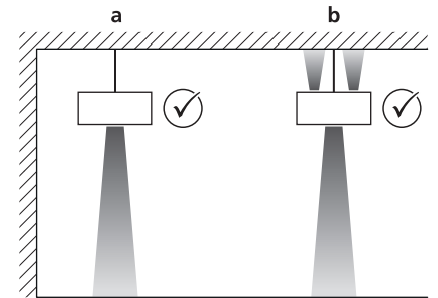
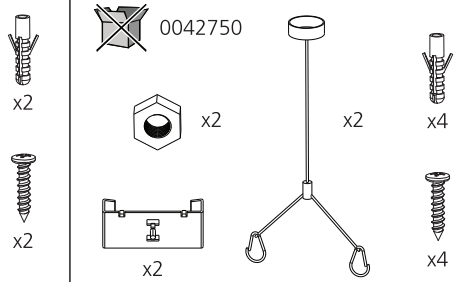
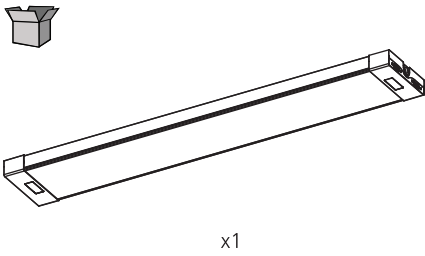
1200 mm non-dimmable		Luminous flux [lm]				
1	2	Rated Current [mA]	System Power [W]	3000K	3500K	4000K
●	○	300	27.0	3800	4000	4000
○	●	250	23.0	3200	3400	3400
○	○	200	19.0	2600	2750	2750

1500 mm non-dimmable		Luminous flux [lm]				
1	2	Rated Current [mA]	System Power [W]	3000K	3500K	4000K
●	●	350	32.0	4600	4900	4900
●	○	300	27.0	3900	4100	4100
○	●	250	23.0	3300	3500	3500

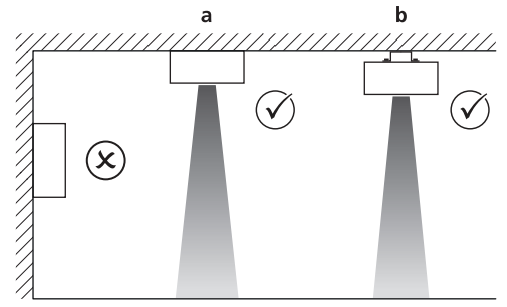
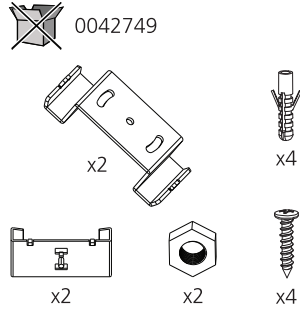
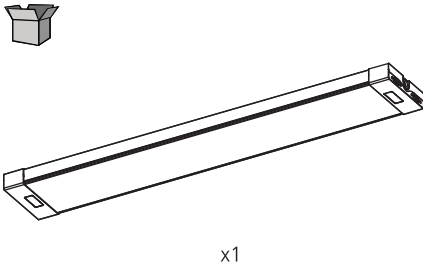




Suspended mounting

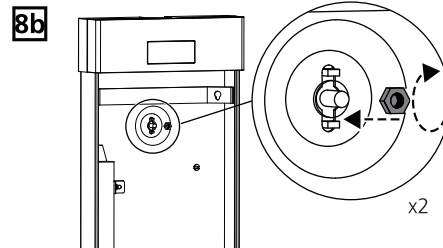
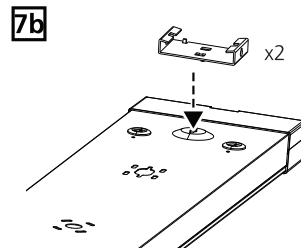
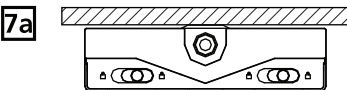
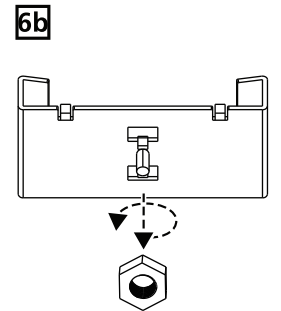
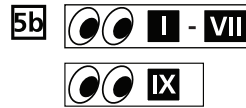
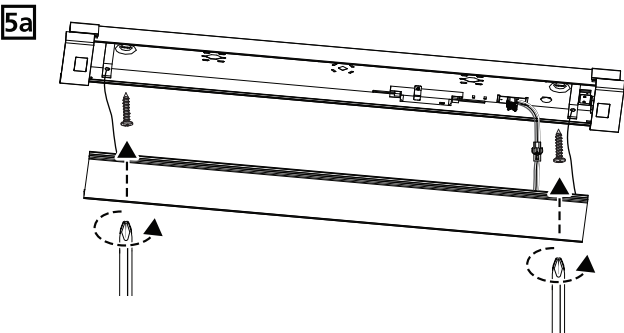
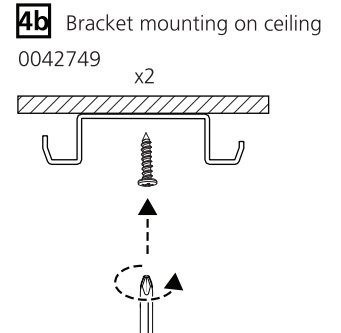
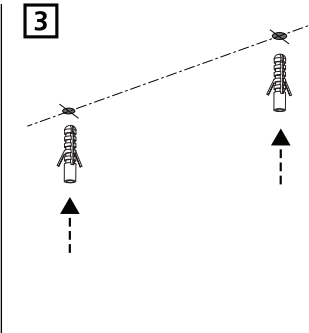
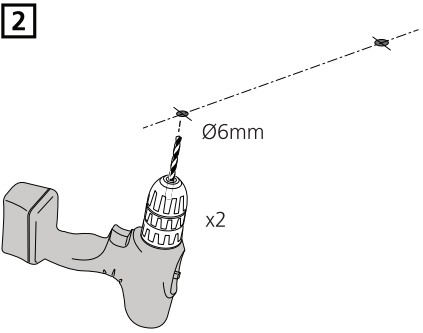
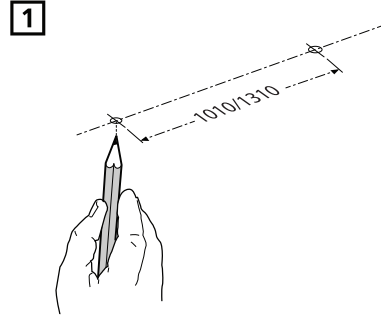
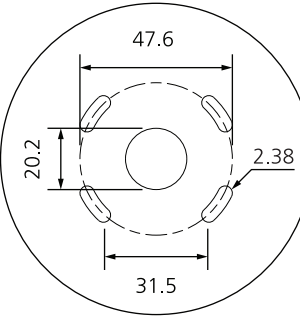
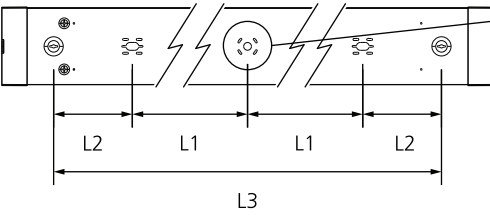


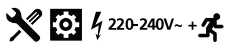
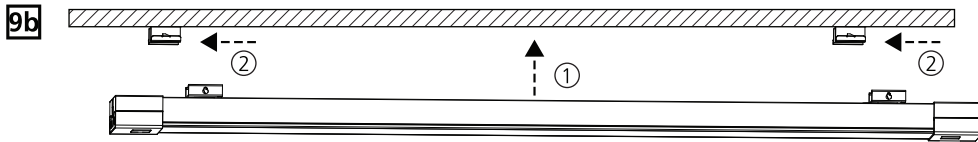
Surface mounting



!

	L1 [mm]	L2 [mm]	L3 [mm]
Gradeo 1200	300	205	1010
Gradeo 1500	300	300	1200





LED Colour	LED INDICATION Status	STATUS		DESCRIPTION
		Flashing		
		ON	OFF	
Green		∞	-	Battery Connected and Charging
		0,1 sec	0,1 sec	Functional Test in Progress
		1 sec	1 sec	Duration Test in Progress
		3 sec	1 sec	Charging Mode
Red		∞	-	Load Failure Open circuit / Short circuit / LED failure
		1 sec	1 sec	Battery Fault Battery failed functional or duration test / No battery
Red/Green		-	∞	Emergency Mode

! Y-type

