



THE KEYS

CROCHETS A POIGNEE (PAIRE) ACCESSORIES

Others
Specifications
Steel

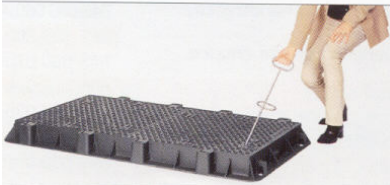
DESIGN FEATURES :

- *Material(s)* :
Steel E24 in accordance to NF A 45-001 (1984)
- *Coating* :
Protection : Zinc dichromate according ISO 2081.

SPECIAL FEATURES :

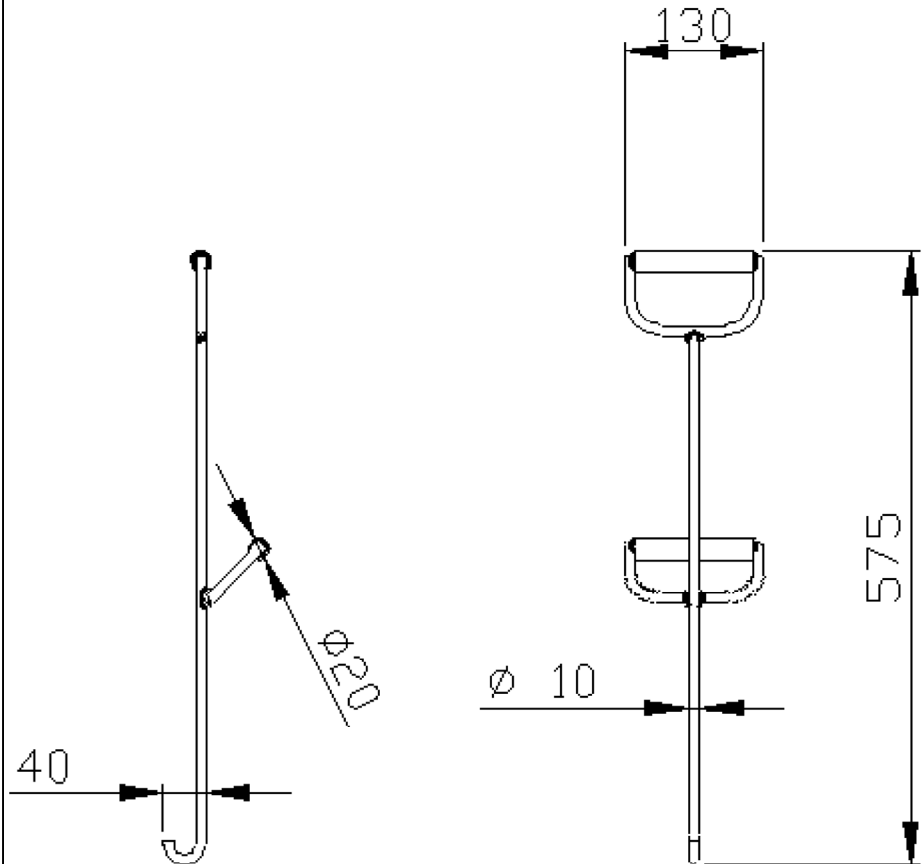
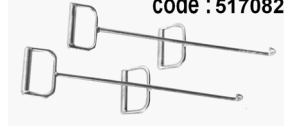
- *Mass* :
2,32 kg.

HANDLING :



- *Remark(s)* :
{FR}Version France Telecom saisir la référence :
1353860 CROCHETS A POIGNEE 2
code : 517082

code : 517082



- Weights (kg), dimensions (mm), and drawings provided for your guidance.
- We reserve the right to modify specifications without prior notice.
- Uncontrolled distribution.

CONFIDENTIAL
Property of EJ EMEA
Not to be used without permission.

EJ
ZI De Marivaux | Saint-Crépin Ibouvillers |
BP50409 | 60544 Méru Cedex | France

ISO 9001 - ISO 14001 - ISO 45001 - ISO 50001

ejco.com

Data sheet :
FT_517082
Date updated :
01.03.2021
Printed : 05.03.2021