



# **FOS-3114 Series**

## **14-port L2 Managed Gigabit Fiber Switch**

### **User's Guide**

Version: 1.2

## Revision History

| Version | Date       | Changes   |
|---------|------------|---|
| 1.0     | 12/21/2017 | First release   |
| 1.1     | 02/27/2018 | Add the new feature   |
| 1.2     | 10/15/2019 | Add the operating temperature, the description of new features and CTS branches' contact information. |

## FCC Warning

This equipment has been tested and found to comply with the limits for a Class A digital device, pursuant to Part 15 of the FCC Rules. These limits are designed to provide reasonable protection against harmful interference when the equipment is operated in a commercial environment. This equipment generates, uses, and can radiate radio frequency energy and, if not installed and used in accordance with this user's guide, may cause harmful interference to radio communications. Operation of this equipment in a residential area is likely to cause harmful interference in which case the user will be required to correct the interference at their own expense.

## CE Mark Warning

This is a Class A product. In a domestic environment, this product may cause radio interference in which case the user may be required to take adequate measures.

## Trademarks

CTS is a registered trademark of Connection Technology Systems Inc. All trademarks belong to their respective proprietors.

Contents subject to change without prior notice.

## Copyright Statement

**Connection Technology Systems Inc Copyright © 1998-2019**

This publication may not be reproduced as a whole or in part, in any way whatsoever unless prior consent has been obtained from Connection Technology Systems Inc.

# ***CTS Contact Information***

---

## **■ Headquarters/Manufacturer:**

### **Connection Technology Systems Inc.**

*18F-6, No.79, Sec.1, Xintai 5th Rd.,*

*Xizhi Dist., New Taipei City 221,*

*Taiwan(R.O.C.)*

*Tel: +886-2-2698-9661*

*Fax: +886-2-2698-3960*

*Sales Direct Line: +886-2-2698-9201*

*[www.ctsystem.com](http://www.ctsystem.com)*

## **■ Global Offices:**

### **Connection Technology USA**

*40538 La Purissima Way,*

*Fremont, CA 94539, USA*

*Tel: +1-510-509-0304*

*Sales Direct Line: +1-510-509-0305*

*E-mail: [cts\\_us@ctsystem.com](mailto:cts_us@ctsystem.com)*

### **Connection Technology Systems NE AB**

*August Barks Gata 21,*

*421 32 Västra Frölunda, Sweden*

*Tel: +46-31-221980*

*E-mail: [info@ctsystem.se](mailto:info@ctsystem.se)*

### **Connection Technology Systems Japan**

*Higobashi Bldg. No.3 R201, 1-23-13,*

*Edobori, Nishi-ku, Osaka 550-0002, Japan*

*Tel: +81-6-6450-8890*

*E-mail: [cts\\_japan@ctsystem.com](mailto:cts_japan@ctsystem.com)*

### **Connection Technology Systems Central Europe (COMPONET Handels GmbH)**

*Hirschstettner Straße 19-21/Stiege I*

*A-1220 Vienna, Austria*

*Tel: +43-1-235 05 66-0*

*E-mail: [cts\\_ce@ctsystem.com](mailto:cts_ce@ctsystem.com)*

# ***Table of Contents***

---

|   |           |
|---|-----------|
| Revision History .....  | ii        |
| <b>TABLE OF CONTENTS .....</b>  | <b>IV</b> |
| <b>CHAPTER 1. INTRODUCTION .....</b>  | <b>2</b>  |
| 1.1 OVERVIEW OF FOS-3114 .....  | 2         |
| 1.2 KEY FEATURES .....  | 3         |
| 1.3 FRONT & REAR PANELS .....   | 5         |
| 1.3.1 Front Panel .....   | 5         |
| 1.3.2 Rear Panel .....  | 7         |
| 1.4 LED DEFINITIONS .....   | 8         |
| 1.5 CABLE SPECIFICATIONS .....  | 9         |
| <b>CHAPTER 2. INSTALLATION .....</b>  | <b>10</b> |
| 2.1 INSTALLATION REQUIREMENTS .....   | 11        |
| 2.2 CHECKING THE PACKAGE CONTENTS .....   | 11        |
| 2.3 INSTALLING THE MANAGED SWITCH .....   | 12        |
| 2.3.1 Desktop Installation .....  | 12        |
| 2.3.2 Rack Installation .....   | 13        |
| 2.3.2.1 Install a Single FOS-3114 Switch in a Rack .....  | 13        |
| 2.3.2.2 Install Two FOS-3114 Switches in a Rack Using FOS Combine Kit .....                     | 15        |
| 2.3.2.3 Install a Single/Two FOS-3114 Switches in a Rack Using 19-inch Rack-mount Bracket ..... | 18        |
| 2.4 POWERING ON THE MANAGED SWITCH .....  | 20        |
| 2.5 CONNECTING THE MANAGED SWITCH TO THE NETWORK .....  | 20        |
| <b>CHAPTER 3. OPERATION .....</b>   | <b>22</b> |
| 3.1 NETWORK MANAGEMENT .....  | 22        |
| <b>CHAPTER 4. MAINTENANCE .....</b>   | <b>24</b> |
| 4.1 FAULT IDENTIFICATION .....  | 24        |
| 4.1.1 Local Check .....   | 24        |
| 4.1.2 Remote Check .....  | 25        |
| 4.2 HARDWARE REPLACEMENT PROCEDURES .....   | 25        |
| 4.3 FIRMWARE UPGRADE .....  | 25        |

# About this manual

In this user's guide, it will not only clearly introduce CTS FOS-3114 Managed Switch but tell you how to install this Managed Switch with detailed instructions.

## Organization of the Manual

---

- Chapter 1 "Introduction" describes the features of the Managed Switch
- Chapter 2 "Installing the Managed Switch"
- Chapter 3 "Operation"
- Chapter 4 "Maintenance"

# 1

## Introduction

---

CTS's Managed Switch is designed to meet the emerging FTTX & Metro Ethernet requirements. Its low profile appearance with 1U height and the standard rack-mounted size achieve the highest density within a single rack. When massive fiber ports need to be deployed, the Managed Switch provides the best performance and price ratio.

### 1.1 Overview of FOS-3114

FOS-3114, a compact 8.5-inch and rack mountable Managed Switch, has 14 ports Gigabit SFP in the front panel. This Managed Switch provides high performance, store and forward switching capability plus other advanced features such as QoS, VLAN, Spanning Tree, LACP and so on.

LED indicators located on the front panel ease the users' effort to monitor and manage the network status. The built-in management module also allows users to configure, control and monitor the system locally via console or remotely via SNMP\_ based management system.

This Managed Switch is a typical SFP solution to Metro Ethernet application. Besides, it can be used as a stand-alone switch. With the height of 1U and the half-size rack design in appearance, FOS-3114 can be used in closet wiring as well, which is especially suitable for the small cabinet and narrow space installation environment.

## 1.2 Key Features

- **8.5 inch, 1U high**
- **14 x 100/1000Base-X ports**
  - IEEE 802.3u/802.3z compliance
  - Support Auto-Sensing for fiber ports
  - SFP Slot
  
- **Switching Features**
  - Store & forward switching
  - Non-blocking switching fabric: 28Gbps
  - Mac address table: 8K
  - Packet buffer total 524K bytes
  - VLANs support up to 2K VLAN Groups
  - 802.1Q Tunneling (QinQ)
  - VLAN Translation
  - Support jumbo frame on all ports up to 9K bytes size
  - QoS classification based on IEEE802.1p, TOS/DSCP
  - Rate limit control
  - NTP client
  - Static multicasting
  - IGMP v1/v2/v3 snooping
  - IGMP fast leave & query
  - MLD v1/v2 snooping
  - IGMP filtering via filtering profile
  - Multicast channel limitations per port
  - DHCP snooping
  - DHCP client and auto-provision
  - DHCP relay agent with option 82
  - Access Control List (ACL)
  - Rapid Spanning Tree Protocol (RSTP)
  - Link Layer Discovery Protocol (LLDP)
  - IEEE 802.1X Authentication
  - IPv6 over Ethernet
  - IPv6 Addressing Architecture
  - IPv6 Dual Stack
  - Storm Control
  - MAC Limiter
  - CPU temperature alarm notification
  - L2PT (Layer 2 Protocol Tunneling)
  - Port Linkup Delay
  - Port Link Flap
  - SFP Port Threshold alarm notification
  - Proprietary Fast Ring v2 (<50ms) and Chain (<1 second) redundancy protocols for fast redundancy after encountering connection issues
  - Warm Reload

■ **Management Functions**

- Console
- Telnet & SSH/CLI
- Web (HTTP & HTTPS)
- RADIUS for authentication
- SNMP v1/v2c/v3 and network management
- SNMP Power-Down Trap
- Private, RFC-1213, RMON MIBs
- Port mirroring
- FTP, TFTP, HTTP server and client firmware upgrade
- TACACS+ for authentication

■ **Operation Environment**

- Operating Temperature: 0°C~50°C

# 1.3 Front & Rear Panels

## 1.3.1 Front Panel

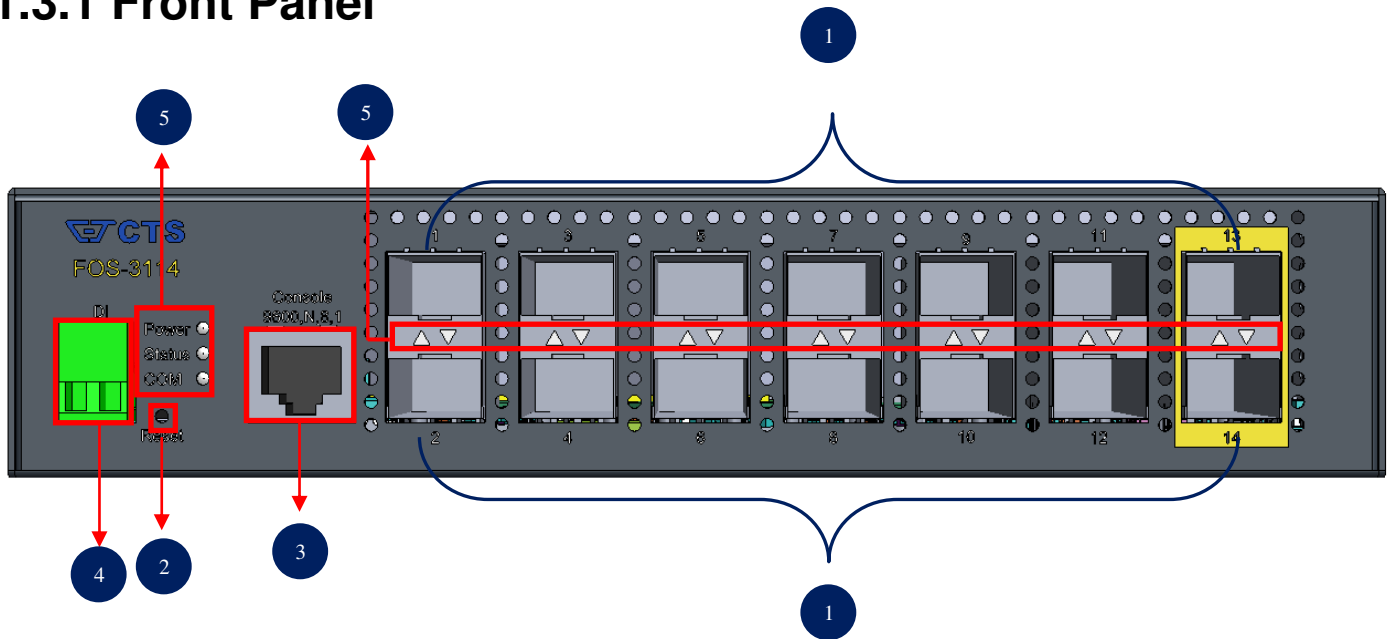


Figure 1-1. FOS-3114 Managed Switch Front Panel

The interfaces on the front panel of the Managed Switch are described below:

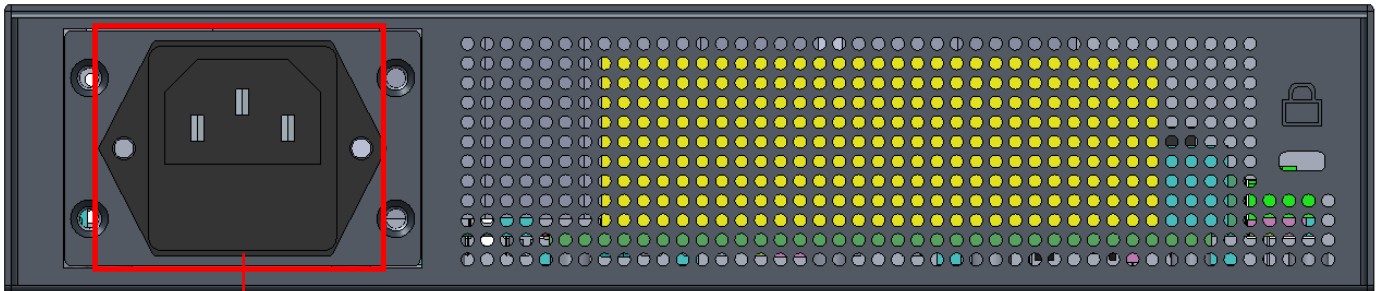
1. **14 x 100/1000Base-X SFP ports (Ports 1-14):**
  - Uplink Ports: Ports 13-14.
2. **Reset Button:**
  - Press the reset button for 5~10 seconds, then release it to restart the system.
  - Press the reset button for more than 10 seconds, then release it to reset the Managed Switch. The settings will be back to the factory defaults and restart the system.
3. **Console Port:**
  - An asynchronous serial console port supports the RS-232 electrical specification. The console port can be used to manage the device, and the serial console port settings should be configured as 9600, N, 8, 1.
4. **Digital Input (Dry Contact):**
  - A voltage-free connector that is used to decide whether the trigger occurs or not by detecting its open/close status. The configuration is as follows:
    - Open: Logic Level 0
    - Close: Logic Level 1

**5. LEDs:**

- Includes Power LED, Status LED, COM LED, and LEDs of Fiber 1~14 ports. For more details on LEDs description, please refer to Section [1.4 LED Definitions](#).

## 1.3.2 Rear Panel

The Managed Switch provides one fixed power module. The type of power module is AC input.



7

Figure 1-2. FOS-3114 Managed Switch Rear Panel

The interface on the rear panel of the Managed Switch is described below:

### 6. Power module and Connector:

- AC power connection: 100-240V, 50/60Hz, 0.4A~0.2A

## 1.4 LED Definitions

The Managed Switch is Plug & Play compliant. The real-time operational status can be monitored through a set of LED indicators located in the front panel.

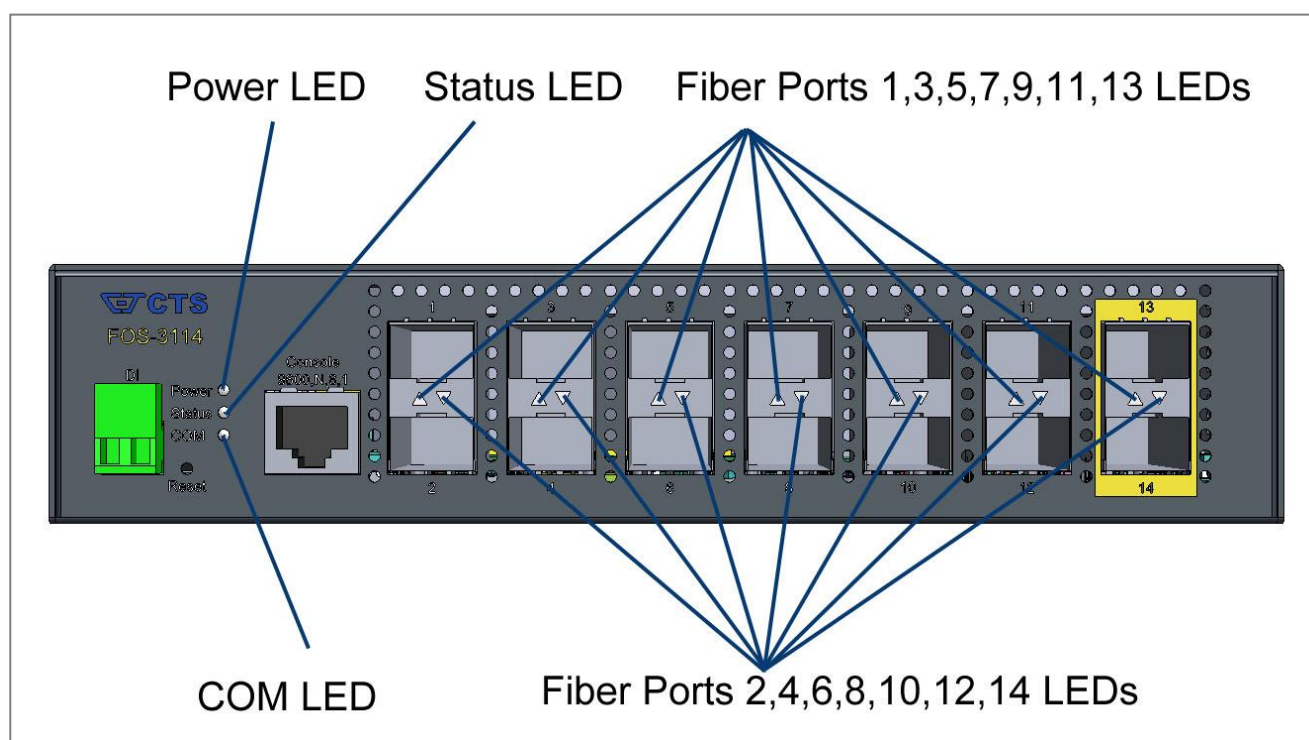


Figure 1-3. LEDs of FOS-3114 Managed Switch

### Power LED

The power status of the Managed Switch is indicated by the Power LED on the front panel of the device.

| LED   | Color | Operation  |
|-------|-------|--|
| Power | OFF   | No fixed-in power module exists or power is off. |
|       | Green | Lit when power module is in normal operation.    |

### Status LED

The Managed Switch status is indicated by the Status LED on the front panel of the device.

| LED    | Color  | Operation  |
|--------|--------|--|
| Status | Green  | Lit when the device is in normal operation.  |
|        | Orange | Lit when the device is booting up or press the Reset button for 5~10 seconds and then release to restart the system.   |
|        |        | Blinking when press the Reset button for more than 10 seconds and then release to reset (return to factory default settings) and restart the system. The LED indicator will blink in orange color for three times. |

## COM LED

The console status is indicated by the COM LED on the front panel of the device.

| LED | Color | Operation  |
|-----|-------|--|
| COM | OFF   | Either the console port is not activated or no session exists. |
|     | Green | Lit when the console port is activated and the session exists. |

## F/O 1~14 Port LEDs

| LED                | Color  | Operation   |
|--------------------|--------|---|
| Link/ACT/<br>Speed | OFF    | No connection exists.   |
|                    | Green  | Lit when Fiber 100Mbps port link is up.<br>Blinking when Fiber port is receiving and transmitting data at the speed of 100Mbps.   |
|                    | Orange | Lit when Fiber 1000Mbps port link is up.<br>Blinking when Fiber port is receiving and transmitting data at the speed of 1000Mbps. |

# 1.5 Cable Specifications

The following table contains various cable specifications for the Managed Switch. Please make sure that you use the proper cable when connecting the Managed Switch.

| Cable Type      | Description  |
|-----------------|--|
| 100BASE-FX      | Multi-mode fiber module(2km) / Single-mode fiber module  |
| 1000BASE-SX     | Multi-mode fiber module (550m)   |
| 1000BASE-LX     | Single-mode fiber module (10km)  |
| 1000BASE-LH     | Single-mode fiber module (30km/50km)   |
| 1000BASE-ZX     | Single-mode fiber module (80km)  |
| SFP Transceiver | SFP Transceiver for 1000BASE-SX Multi-mode fiber module (550m)<br>SFP Transceiver for 1000BASE-LX Single-mode fiber module (10km)<br>SFP Transceiver for 1000BASE-LH Single-mode fiber module (30km/50km)<br>SFP Transceiver for 1000BASE-ZX Single-mode fiber module (80km) |

# 2

## Installation

---

To properly install the FOS-3114 Managed Switch, please follow the procedures listed below. These procedures will be respectively described in detail in the following sections.

- Installation Requirements
- Checking the Package Contents
- Installing the Managed Switch
- Powering on the Managed Switch
- Connecting the Managed Switch to the Network

# 2.1 Installation Requirements

Basic requirements for installation are as follows:

- Environmental conditions
  - One power outlet
  - Proper ventilation
  - Proper isolation to electrical noise, radio, etc.
- Required SFP Transceiver
- Rack mounting tools

# 2.2 Checking the Package Contents

Unpack the package carefully and check the package contents. The package should contain the following items:

- One set of the Managed Switch
- 19-inch rack-mount kit:
  - 1x long mounting bracket and 2x regular mounting brackets
  - Screws
- Four rubber feet with adhesive backing
- Console RS-232 cable with RJ-45 connector
- Documentation CD
- AC power cord (For AC power module only)
- FOS combine kit between two switches in 19-inch rack. (*Optional*)
  - 4x L-shaped fixed pieces
  - Screws
- 19-inch rack-mount bracket. (*Optional*)
  - Screws

If any item is found missing or damaged, please contact your local sales representative for support or replacement.

## 2.3 Installing the Managed Switch

You can install the FOS-3114 switch on a flat surface or mount it in a standard 19-inch network equipment rack.



### CAUTION

**To prevent any damage or failure of the Managed Switch, please DO NOT block the ventilation holes.**

Use the following guidelines when choosing a place to install the switch:

- Firm and steady flat surface.
- Proper power outlet location, not too far from the device.
- Visually inspect the power cord and see that it is secured to the AC power connector.
- Make sure that there is proper heat dissipation from and adequate ventilation around the switch. Do not place heavy objects on the Managed Switch.

### 2.3.1 Desktop Installation

The switch can be placed in any flat and steady surface with proper air ventilation. Four rubber feet with adhesive backing are provided for this kind of installation.

#### Procedures

- ① Attach rubber feet on the bottom at each corner of the device.
- ② Select a flat and steady surface to place the switch.
- ③ Allow adequate space for ventilation between the device and the objects around it.

## 2.3.2 Rack Installation

Either you can install an 8.5-inch switch or two 8.5-inch switches in a standard 19-inch network equipment rack. In the following sections, we will take the FOS-3114 Managed Switch for example to separately demonstrate how to mount it or them in this size of rack space.



### **WARNING!**

Please mount the Switch firmly in rack, otherwise it may fall and cause the system damage and possible injury to personnel.

### 2.3.2.1 Install a Single FOS-3114 Switch in a Rack

To install one set of FOS-3114 in a single rack space, you need the 19-inch rack-mount kit supplied with the switch. Just follow the procedures listed below for step-by-step instructions to install your switch in this rack space:

**Step 1.** Attach the supplied rack mounting brackets to the switch:

- 1.1. Attach the supplied regular mounting bracket to one side of the switch that you would like to install in the rack. (See Figure 2-1)
- 1.2. Attach the supplied long mounting bracket to the other side of the switch. (See Figure 2-1)

**Step 2.** Insert the screws provided in the rack-mount kit through each bracket and into the bracket mounting holes in the switch. (See Figure 2-1)

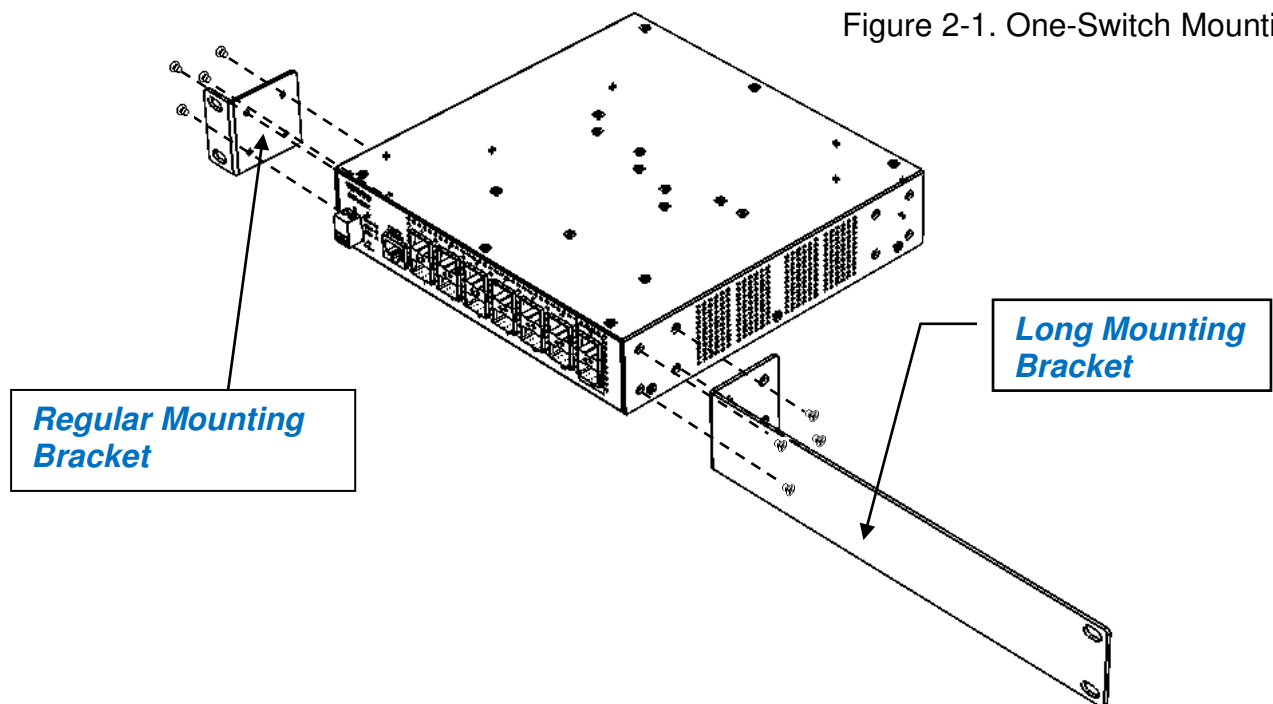


Figure 2-1. One-Switch Mounting

**Step 3.** Then, tighten the screws with the screwdriver to secure each bracket.

**Step 4.** Align the mounting holes in the brackets with the desired holes in the rack, and insert screws through each bracket and into the rack.

**Step 5.** Then, tighten the screws with the screwdriver to secure mounting brackets to the rack.

**Step 6.** Please ensure that the ventilation holes are not blocked.

### 2.3.2.2 Install Two FOS-3114 Switches in a Rack Using FOS Combine Kit

To install two sets of FOS-3114 in a single rack space, you need the 19-inch rack-mount kit as well as the FOS combine kit, supplied with the switch. Also follow the procedures listed below for step-by-step instructions to install your switches in this rack space:

**Step 1.** On the switch that will be mounted on the left side of the rack space, do the following:

- 1.1. Refer to Section 2.3.2.1 to attach the supplied regular mounting bracket to the left side of this switch.
- 1.2. Insert the screws provided in the rack-mount kit through the bracket and into the bracket mounting holes in the switches.
- 1.3. Tighten the screws with the screwdriver to secure the bracket.
- 1.4. On the right side of the switch, attach one L-shaped fixed piece by inserting the screws provided in the FOS combine kit through this fixed piece and into the mounting holes in the switch. (See Figure 2-2)
- 1.5. Repeat the same manners as we had mentioned in Step 1.4 to install another L-shaped fixed piece on the same side of this switch. (See Figure 2-2)

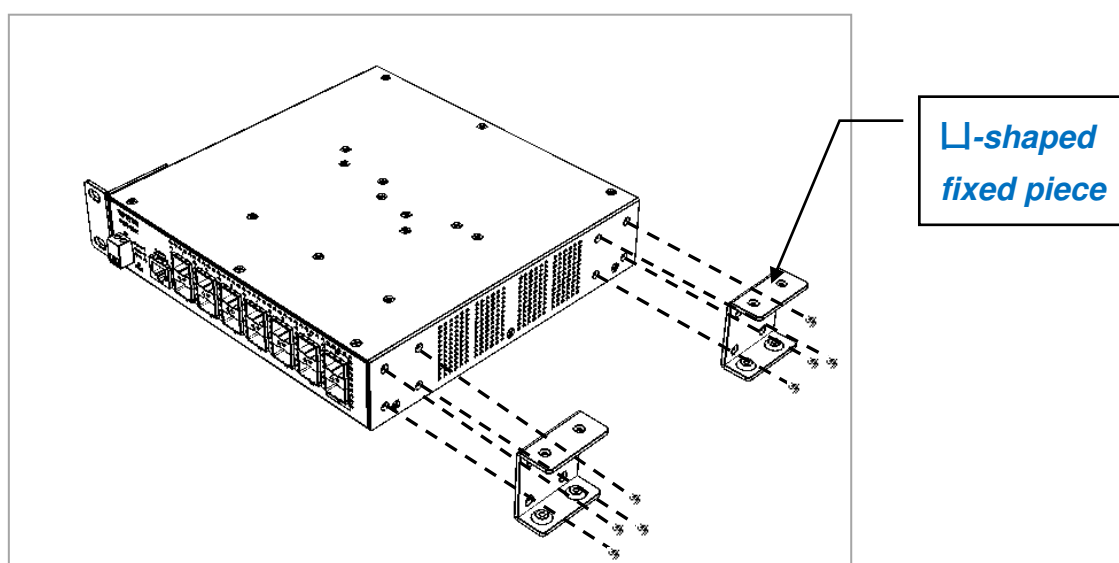


Figure 2-2. Install the L-shaped fixed pieces for two-switch mounting

- 1.6. Tighten the screws with the screwdriver to secure each middle mount to the right side of the switch.

**Step 2.** On the other switch that will be mounted on the right side of the rack space, do the following:

- 2.1. Also refer to Section 2.3.2.1 to attach the supplied regular mounting bracket to the right side of this switch.
- 2.2. Insert the screws provided in the rack-mount kit through the bracket and into the bracket mounting holes in the switches.
- 2.3. Tighten the screws with the screwdriver to secure the bracket.

- 2.4.** On the left side of the switch, attach one L-shaped fixed piece in the reverse direction by inserting the screws provided in the FOS combine kit through this fixed piece and into the mounting holes in the switch. (See Figure 2-3)
- 2.5.** Repeat the same manners as we had mentioned in Step 2.4 to install another L-shaped fixed piece on the same side of the switch. (See Figure 2-3)

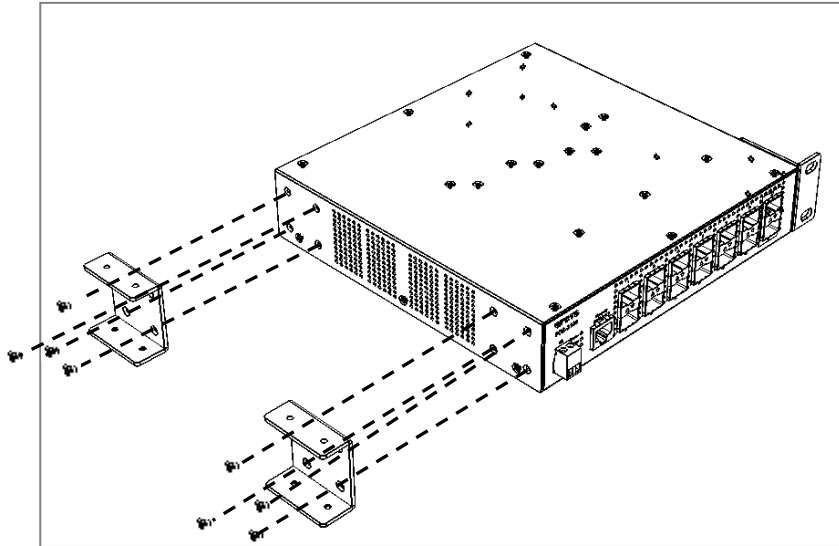


Figure 2-3. Install the L-shaped fixed pieces in the reverse direction for two-switch mounting

- 2.6.** Tighten the screws with the screwdriver to secure each middle mount to the left side of the switch.
- Step 3.** Align the holes of the middle mount described in Step 1 on the left switch with the holes of the middle mount described in Step 2 on the right switch, and then lock them together carefully.
- Step 4.** Insert the screws provided in the FOS combine kit through the holes into each middle mount. (See Figure 2-4)

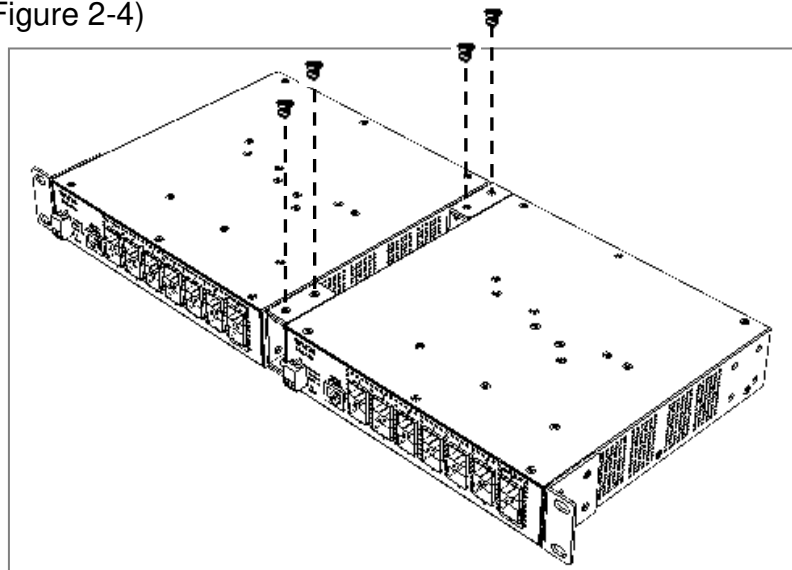


Figure 2-4. Screw the locked switches for two-switch mounting

## ***Installation***

---

**Step 5.** Tighten the screws with the screwdriver to secure each middle mount.

**Step 6.** Align the mounting holes in the regular brackets on both sides (the left side of the left switch and the right side of the right switch) with the desired holes in the rack, and insert the screws through each bracket and into the rack.

**Step 7.** Tighten the screws with the screwdriver to secure mounting brackets to the rack.

### 2.3.2.3 Install a Single/Two FOS-3114 Switches in a Rack Using 19-inch Rack-mount Bracket

Besides the mounting methods we previously mentioned, to install one or two sets of FOS-3114 in a single rack space; alternatively, you can use the 19-inch rack-mount bracket supplied with the switch. Also follow the procedures listed below for step-by-step instructions to install your switch/switches in this rack space:

**Step 1.** On the switch that will be mounted on the left side of the rack space, do the following:

- 1.1. Four bracket mounting holes for 19-inch rack-mount bracket are located at the bottom of each switch. (See Figure 2-5). Align these holes of this switch with the mounting holes on the most left side of the bracket you purchase.

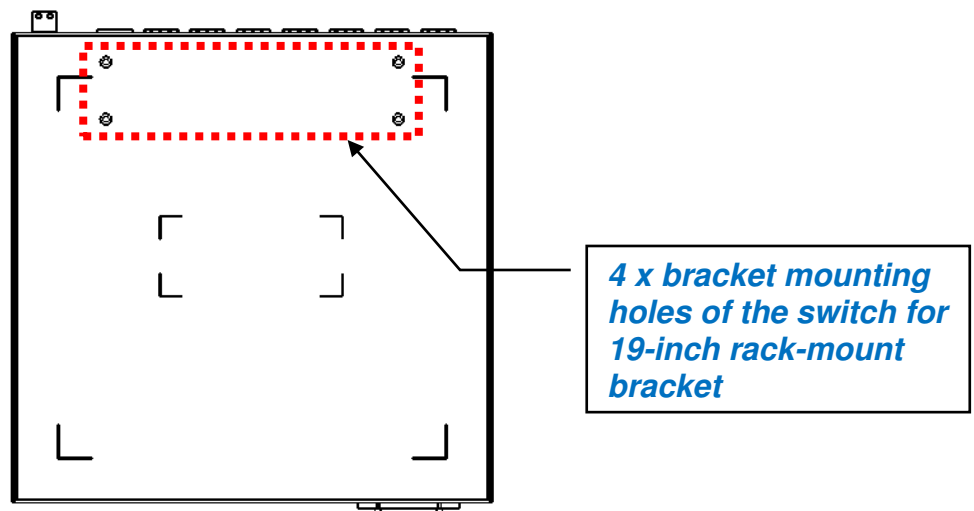


Figure 2-5. Bracket mounting holes located at the bottom of the switch

- 1.2. Insert the screws provided in the 19-inch rack-mount bracket through this bracket and into the bracket mounting holes at the bottom of the switch. (See Figure 2-6)
- 1.3. Tighten the screws with the screwdriver to secure this bracket.

**Step 2.** On the other switch that will be mounted on the right side of the rack space, do the following:

- 2.1. Also align four bracket mounting holes located at the bottom of this switch with the mounting holes on the most right side of the bracket you purchase.
- 2.2. Insert the screws provided in the 19-inch rack-mount bracket through this bracket and into these bracket mounting holes of the switch. (See Figure 2-6)
- 2.3. Tighten the screws with the screwdriver to secure this bracket.

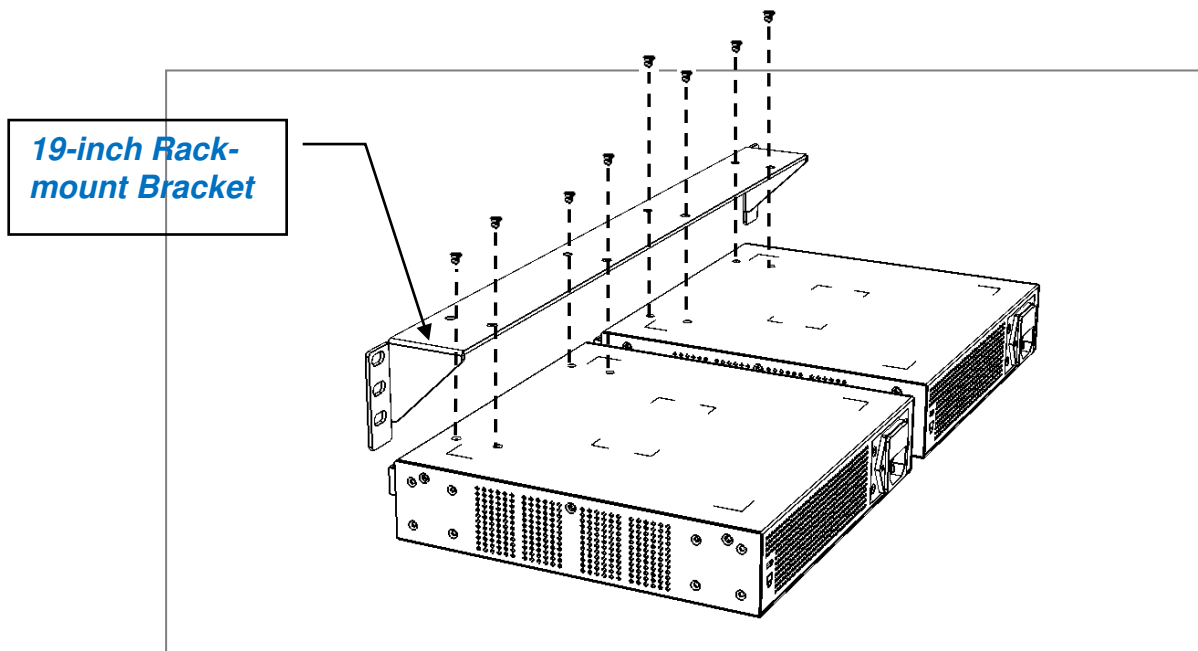


Figure 2-6. Install the 19-inch rack-mount bracket for two-switch mounting

- Step 3.** Align the mounting holes on both sides of this 19-inch rack-mount bracket with the desired holes in the rack, and insert the screws through this bracket and into the rack.
- Step 4.** Tighten the screws with the screwdriver to secure this bracket with the switch/switches to the rack.

## 2.4 Powering on the Managed Switch

The Managed Switch can be used with AC power supply 100-240 V, 50–60 Hz, 0.4A~0.2A. After the Managed Switch is turned on, the Power LED indicators should light in green color. For more details about the power LED description, please refer to Section [1.4 LED Definitions](#).

### Power Failure

In the event of power failure, unplug the power that is plugged into the switch at the back of the device. When power is resumed, plug the power back to the switch.

## 2.5 Connecting the Managed Switch to the Network

### Connect to Network

The Managed Switch has 14 SFP ports in the front panel. These 14 SFP ports can be plugged with 100Base-FX or 1000Base-X SFP Fiber transceiver. The connection of the fiber port must be matched, i.e. Transmitter to Receiver, and vice versa.

## 2.6 Installing and Removing SFP Modules

### 2.6.1 Installing SFP Modules

To connect the fiber transceiver and LC/SC cable, use the following guidelines:

1. Position the SFP transceiver with the handle on top.
2. Locate the triangular marking in the slot and align it with the bottom of the transceiver.
3. Insert the SFP transceiver into the slot until it clicks into place.
4. Make sure the module is seated correctly before sliding the module into the slot. A click sounds when it is locked in place.

---

*Note: If you are attaching fiber optic cables to the transceiver, continue with the following step. Otherwise, repeat the previous steps to install the remaining SFP transceivers in the device.*

---

1. Remove the protective plug from the SFP transceiver.

---

*Note: Do not remove the dust plug from the transceiver if you are not installing the fiber optic cable at this time. The dust plug protects hardware from dust contamination.*

---

2. Insert the fiber cable into the transceiver. The connector snaps into place and locks.
3. Repeat the previous procedures to install any additional SFP transceivers in the switch. The fiber port is now set up.

## 2.6.2 Removing SFP Modules

To disconnect an LC/SC connector, use the following guidelines:

1. Press down and hold the locking clips on the upper side of the optic cable.
2. Pull the optic cable out to release it from the transceiver.
3. Hold the handle on the transceiver and pull the transceiver out of the slot.

## 2.7 Connecting the Switch to Console Port

The switch supports a secondary means of management. By connecting the RJ45 to RS232 serial cable between a COM port on your PC (9-pin D-sub female) and the switch's RJ45 (RJ45) port, a wired connection for management can be established.



# 3

## Operation

A built-in management module of Managed Switch provides users flexible interfaces to configure, control and monitor the system remotely and locally. To know the further information about the operation of Managed Switch, please refer to FOS-3114 Network Management User's Manual for the detailed management functions and required installation and operation procedures.

### 3.1 Network Management

The following is a list of management options available in this Managed Switch:

- Local Console Management
- Telnet Management
- SNMP Management
- Web Management

#### Local Console Management

Users may connect a Terminal or PC running the Terminal Emulation program (such as Putty or Tera Term) with the following serial console port settings, to the Managed Switch console port directly via RS-232 cable to configure, control and monitor the system. This is often referred to as Out-Of-Band management.

|                      |      |
|----------------------|------|
| <b>Baud rate:</b>    | 9600 |
| <b>Data bits:</b>    | 8    |
| <b>Parity:</b>       | none |
| <b>Stop bits:</b>    | 1    |
| <b>Flow control:</b> | none |

Console management is useful when there is no network connection to the Switch, for instance configuring the Managed Switch for the first time.

#### Telnet Management

Telnet is done through the network. Once there is a network connection to the Managed Switch, users can use Telnet to configure, control and monitor the system. Using the network connection to manage is often referred to as In-Band-Management.

### **SNMP Management**

SNMP is also In-Band-Management and requires a network connection to the Managed Switch. The Managed Switch private Management Information Bases (MIB) is provided for SNMP-based network management program to configure, control and monitor the system.

### **Web Management**

Web Management is done over the network. Once the Managed Switch is available on the network, you can login and monitor the status of it through a web browser remotely or locally. Web management in the local site, especially for the first time use of the Managed Switch to set up the needed IP, can also be done through one of the SFP ports located on the front panel of the Managed Switch. A converter and direct RJ-45 LAN cable connection between a PC and the Managed Switch are required for this management.

# 4

## Maintenance

This Managed Switch is easy to maintain. The procedures are suggested when you would like to identify faults, perform hardware replacement and do the firmware upgrade.

### 4.1 Fault Identification

Identifying faults can greatly reduce the times required to find problem and solution. Users may perform local check or remote check to find the problems.

#### 4.1.1 Local Check

Users can perform local check by observing LED indicators status or check system setup and configuration through console connection.

- When the whole system fails to function,
  1. Check Power LED status
  2. Check Power connection
  3. Reset power
  
- When certain network link fails to function,
  1. Locate the port of the switch
  2. Check LINK/ACT/Speed LED of the port
  3. Check Status LED of the port
  4. Check cable connection between the port and the connected device
  5. Reset power
  
- When local Console fails to function,
  1. Check COM LED status
  2. Check Console port connection
  3. Check Console configuration
  4. Reset power

## 4.1.2 Remote Check

Users may check the Managed Switch through SNMP manager remotely. For detailed procedures, please refer to the Network Management User's Manual.

## 4.2 Hardware Replacement Procedures



### **WARNING!**

**The Managed Switch contains no user-serviceable parts. DO NOT, UNDER ANY CIRCUMSTANCES, open and attempt to repair it.**

**Failure to observe this warning could result in personal injury or death from electrical shock.**

**Failure to observe the above warning will immediately void any Warranty.**

## 4.3 Firmware Upgrade

This Managed Switch may perform the firmware upgrade when required. The latest firmware can be obtained from your sales representative. For the detailed upgrade procedures, please refer to FOS-3114 Network Management User's Manual.





**CONNECTION TECHNOLOGY SYSTEMS**

**18F-6, No.79, Sec.1, Xintai 5th Rd.,**

**XiZhi Dist., New Taipei City 221, Taiwan(R.O.C)**

**Tel: +886-2-2698-9661**

**Fax: +886-2-2698-9662**

**Dir.Line:+886-2-2698-9201**

**[www.ctsystem.com](http://www.ctsystem.com)**