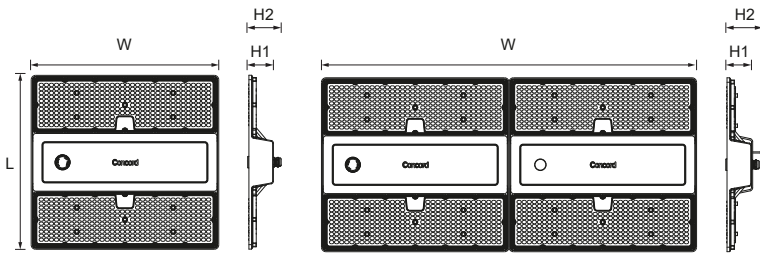


~ 220-240 V 50/60 Hz

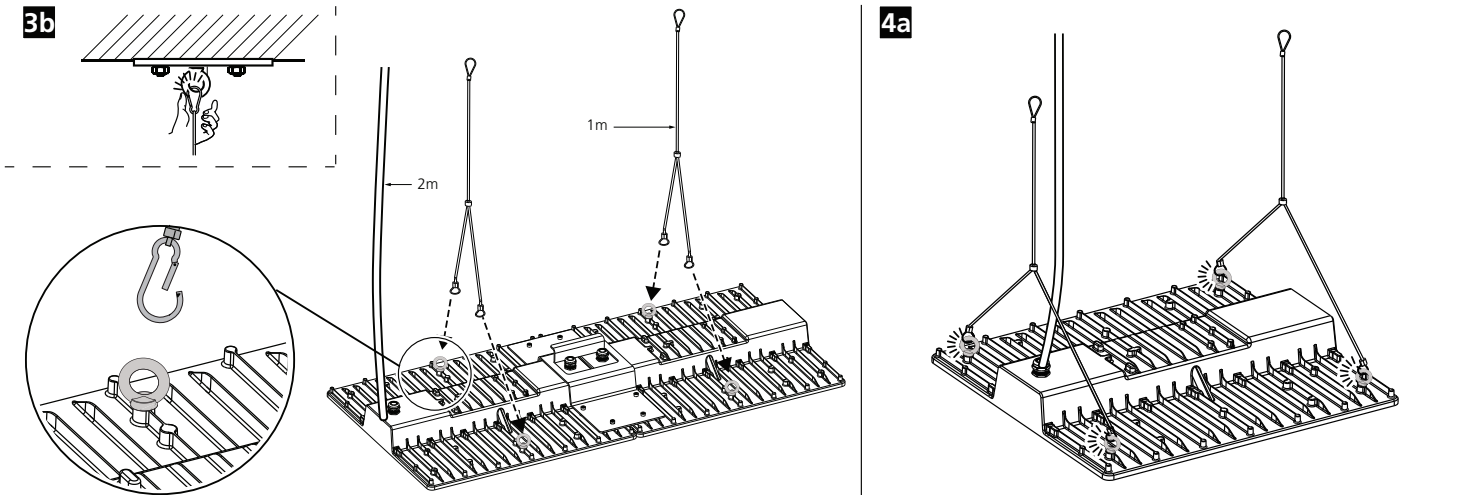
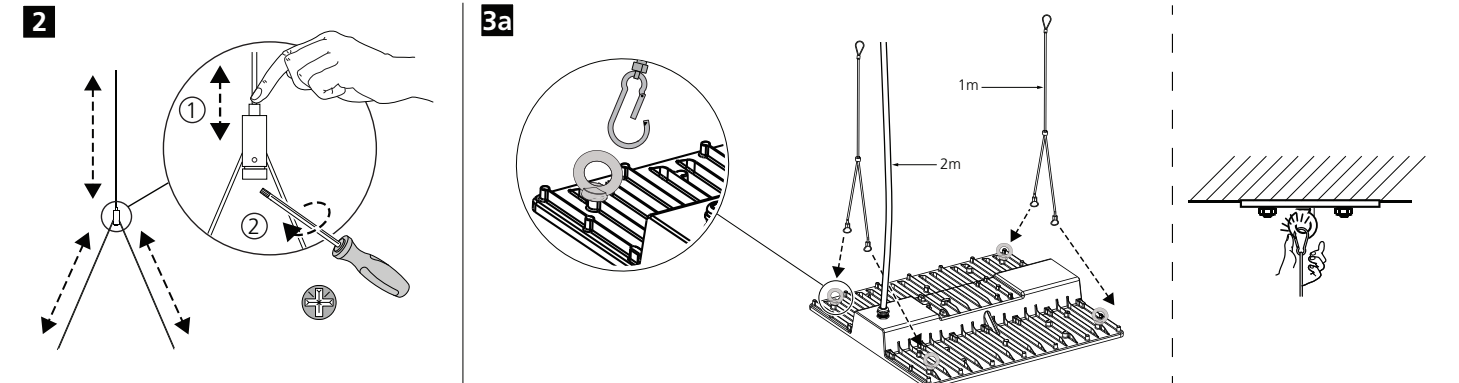
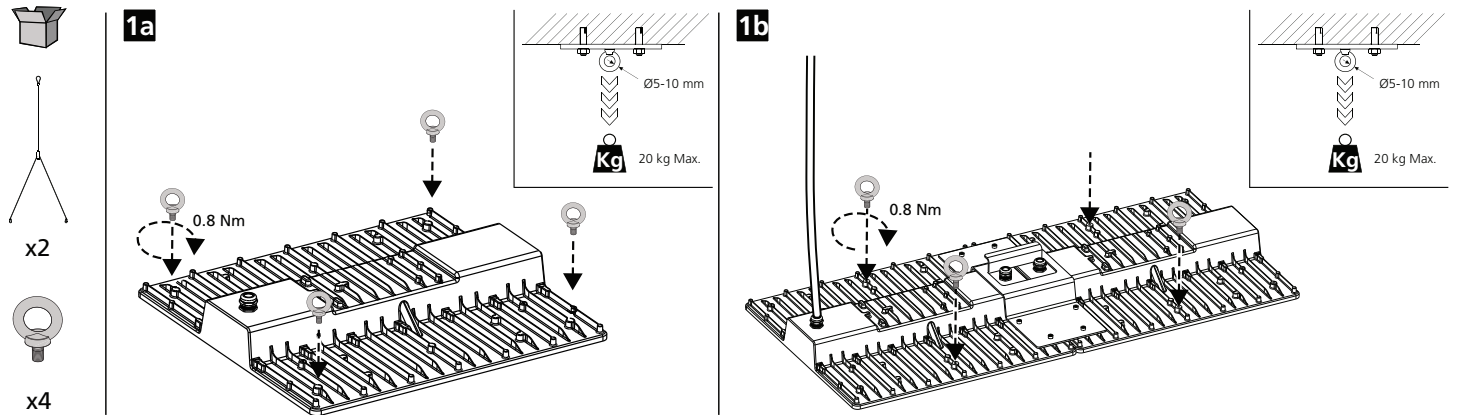


9/13/20/26/32 klm

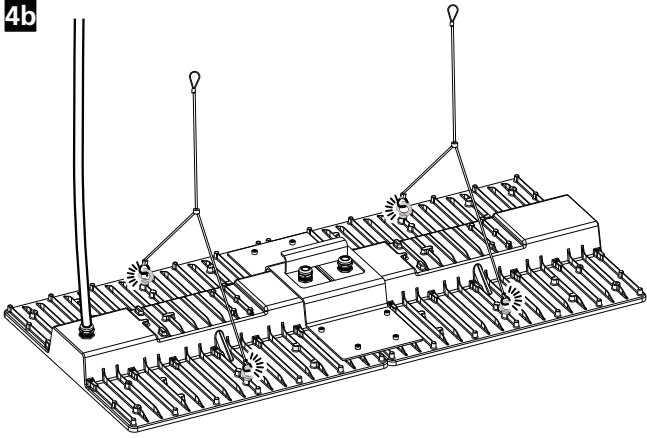


40/52klm

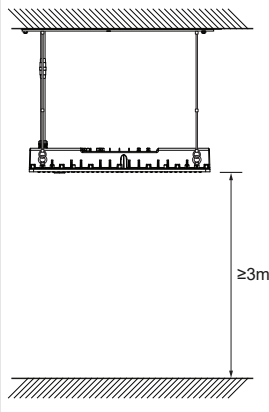
	L [mm]	W [mm]	H1 [mm]	H2 [mm]	Kg	ta [°C]
9 klm	446	481	66	86	<5.0	-30 \rightarrow +50
13 klm	446	481	66	86	<5.0	-30 \rightarrow +50
20 klm	446	481	66	86	<5.0	-30 \rightarrow +50
26 klm	446	481	66	86	<5.0	-30 \rightarrow +50
32 klm	446	481	66	86	<5.0	-30 \rightarrow +50
40 klm	446	963	66	96	<11.0	-30 \rightarrow +50
52 klm	446	963	66	96	<11.0	-30 \rightarrow +50



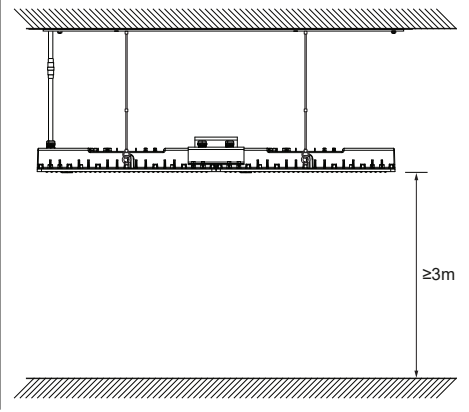
4b



5a



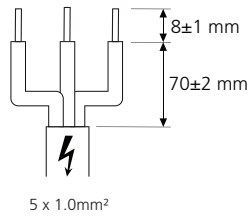
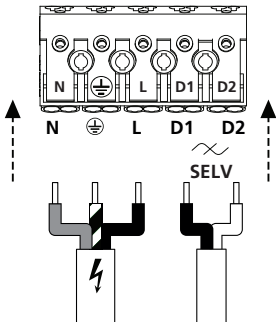
5b



6 ⚡ 220-240V + DALI ~



Min. 600V AC / 5A, IP65



Y-type

