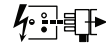


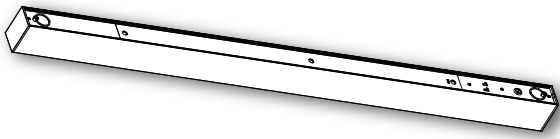
~ 220-240 V 50/60Hz



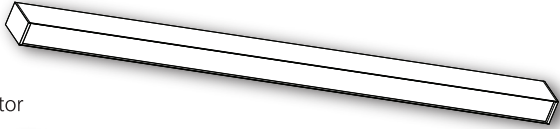
5°C - +40°C



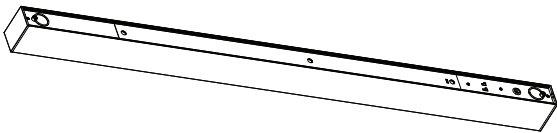
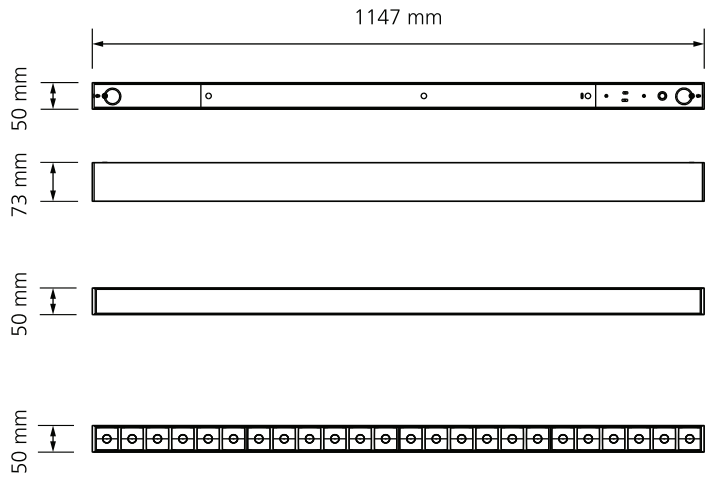
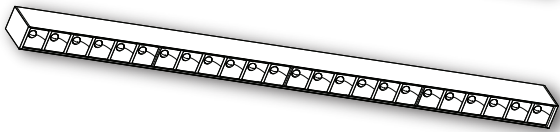
IS500



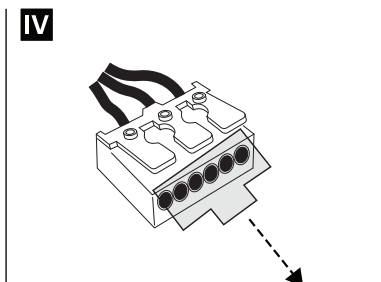
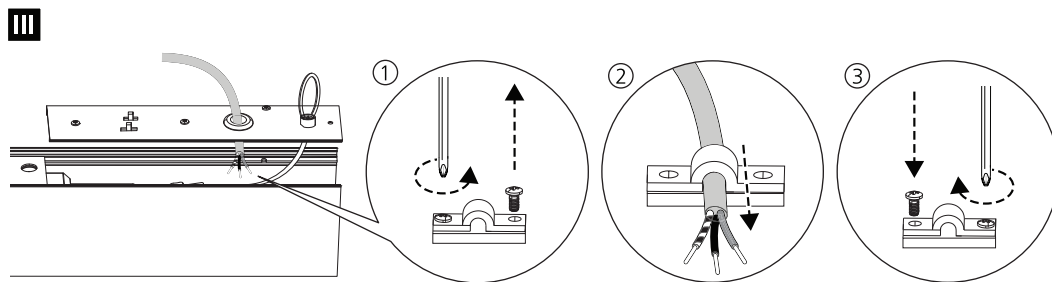
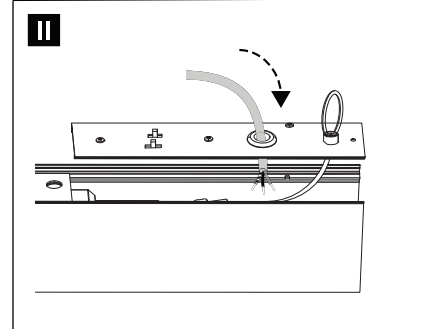
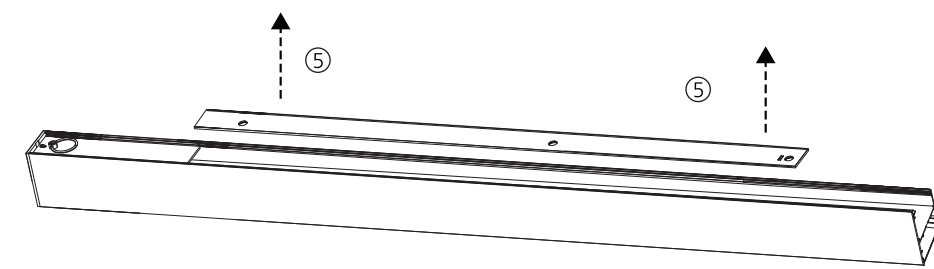
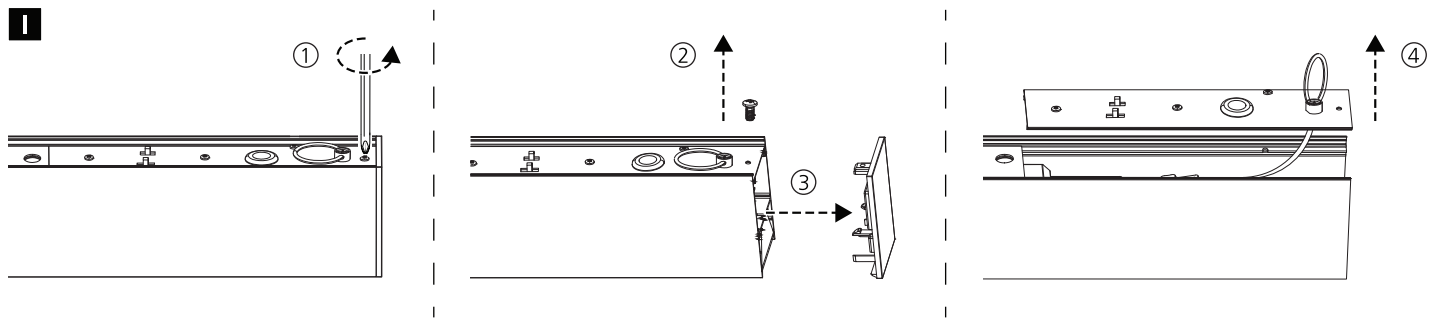
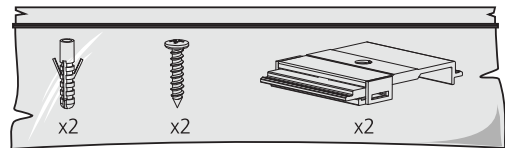
Opal & Prismatic

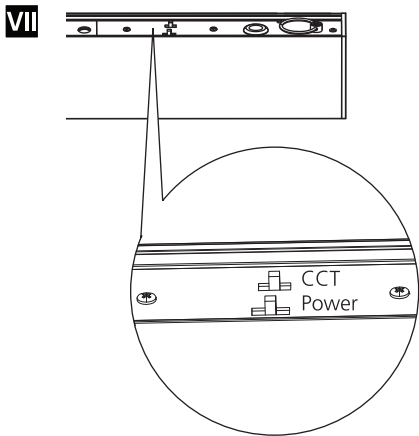
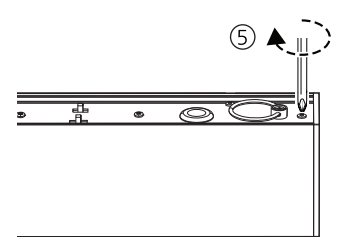
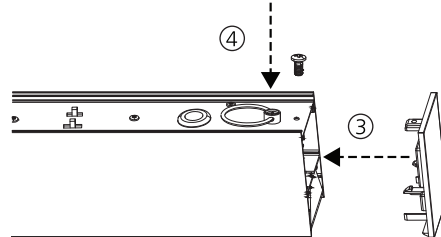
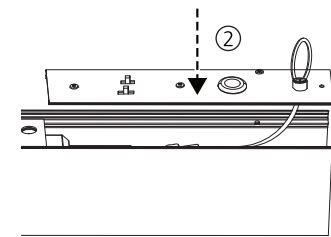
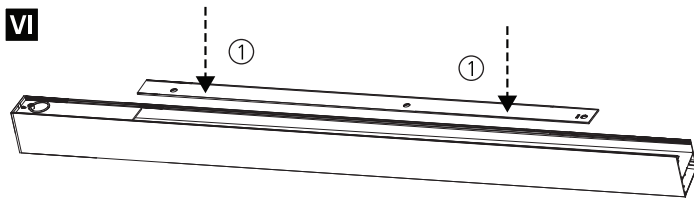
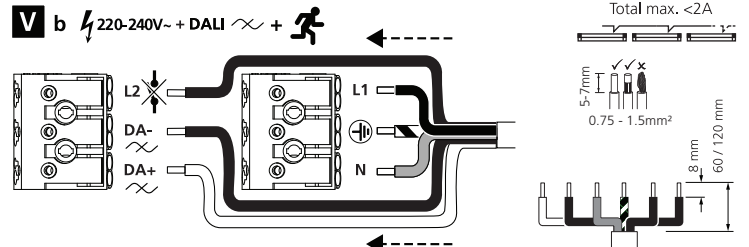
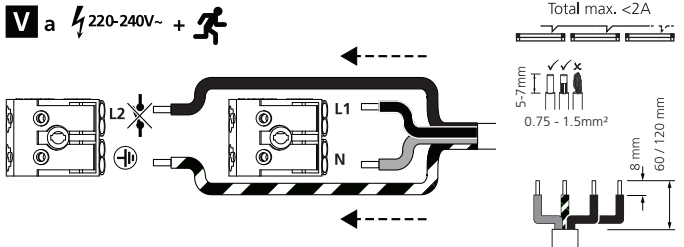
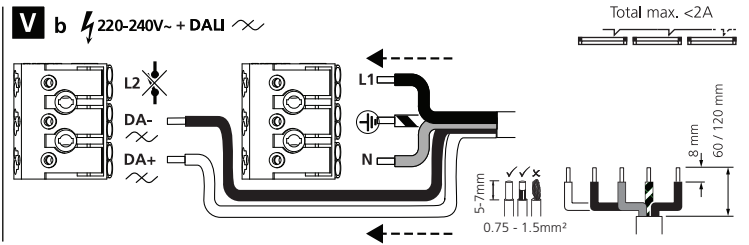
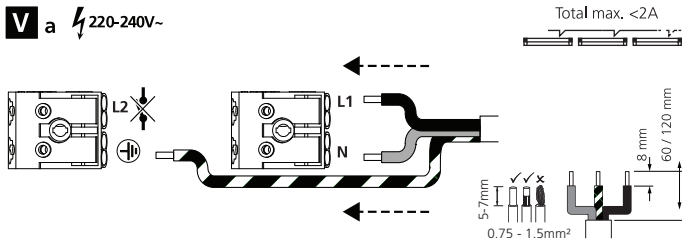


Reflector



x1





Power

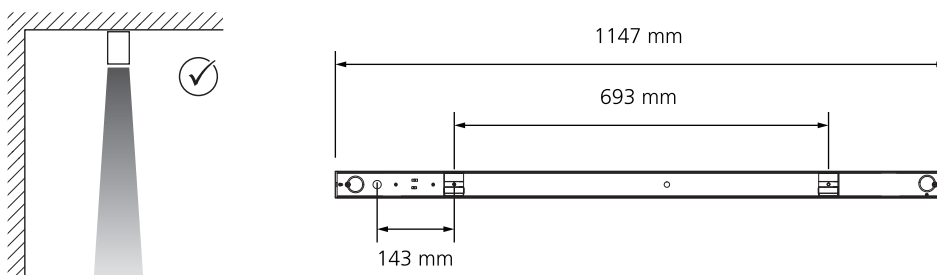
OPAL	Power options [W]			PRISMATIC	Power options [W]		
0041800 / 0041801	24-26 ⚙️	-	✓	0041802 / 0041803	22-24 ⚙️	-	✓
0041800 / 0041801 + 0041815	36-39	✓	✗	0041802 / 0041803+ 0041813	34-36	✓	✗

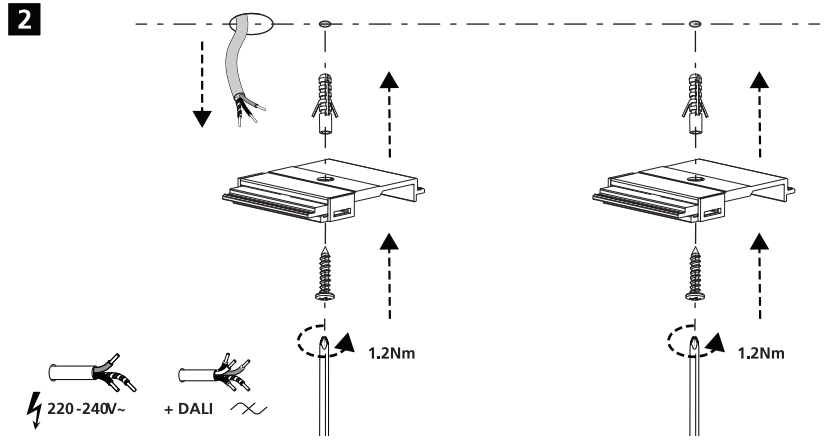
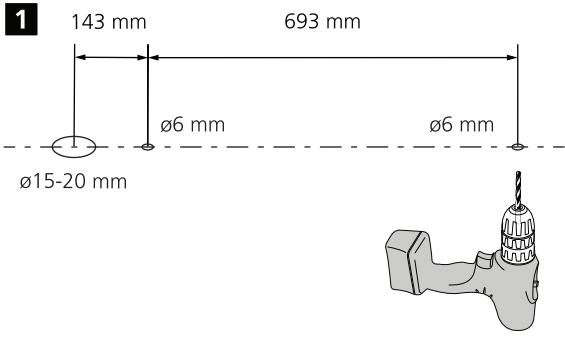
CCT

4000 K 3000 K

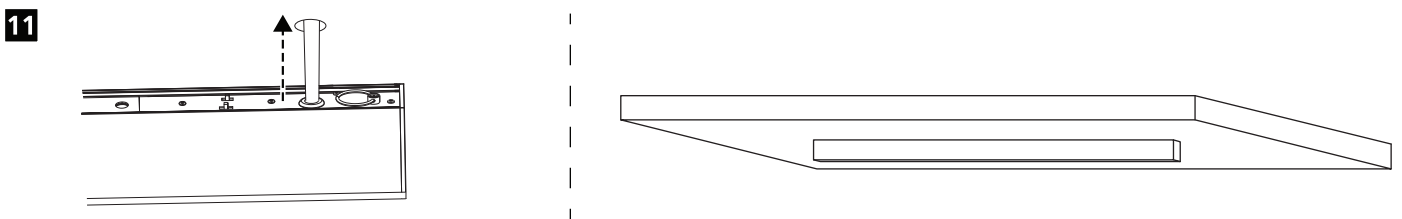
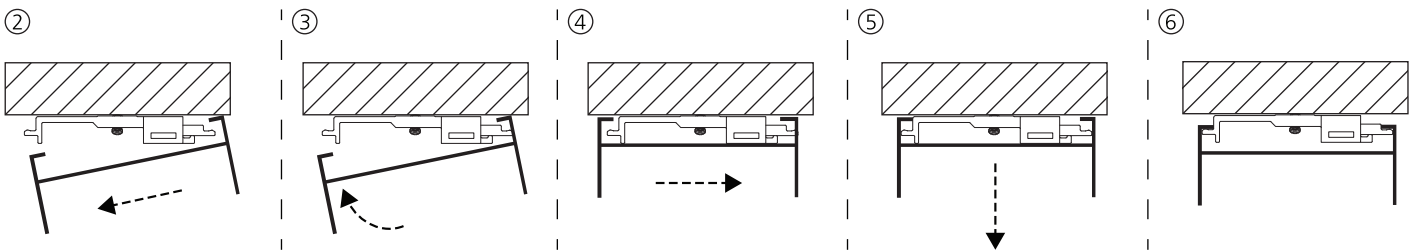
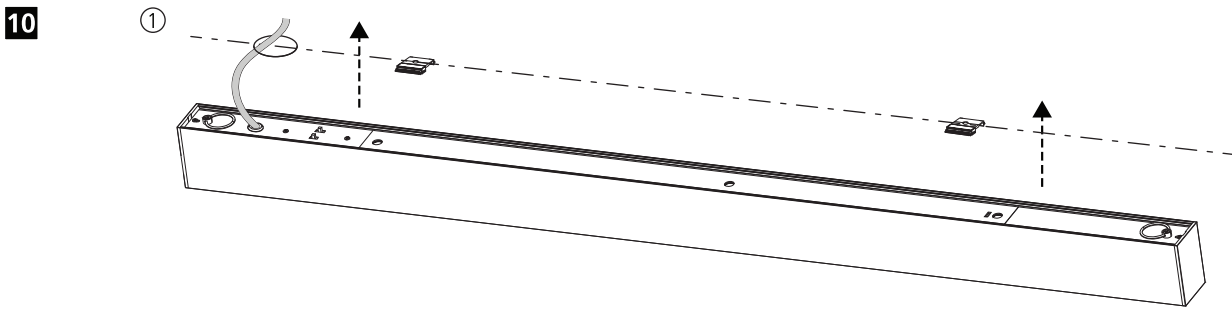
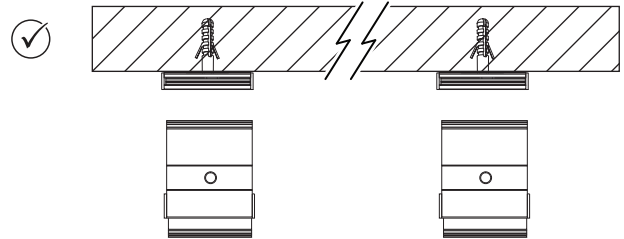
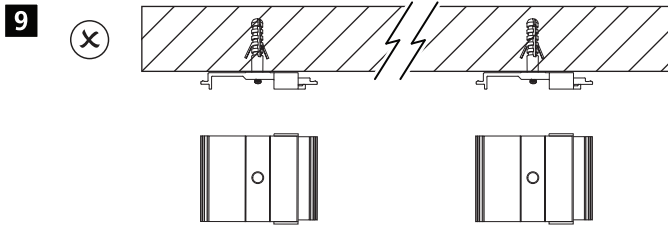
REFLECTOR	Power options [W]		
0041804 / 0041805 0041823 / 0041824 0041825 / 0041826	22-24 ⚙️	-	✓
0041804 / 0041805 + 0041814 0041823 / 0041824 + 0041814 0041825 / 0041826 + 0041814	34-36	✓	✗

Surface mounting

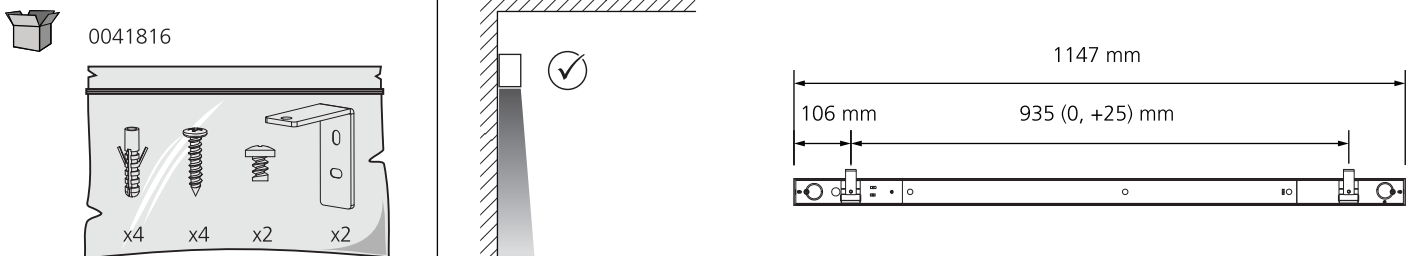


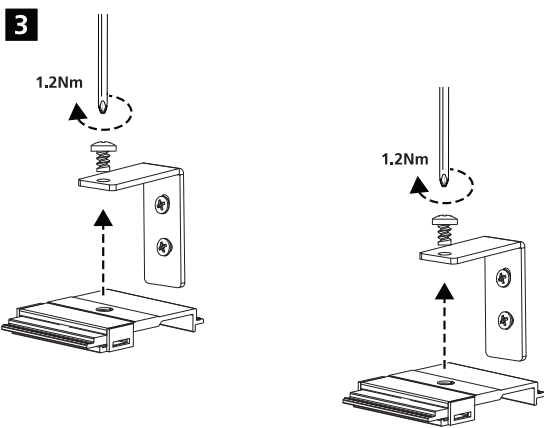
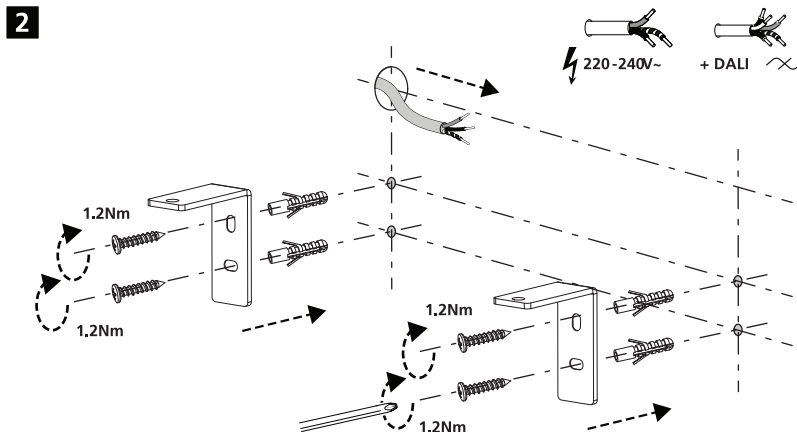
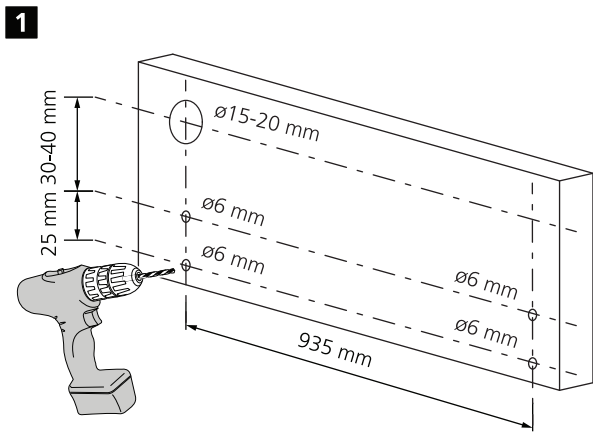


3 - 8 I - VII

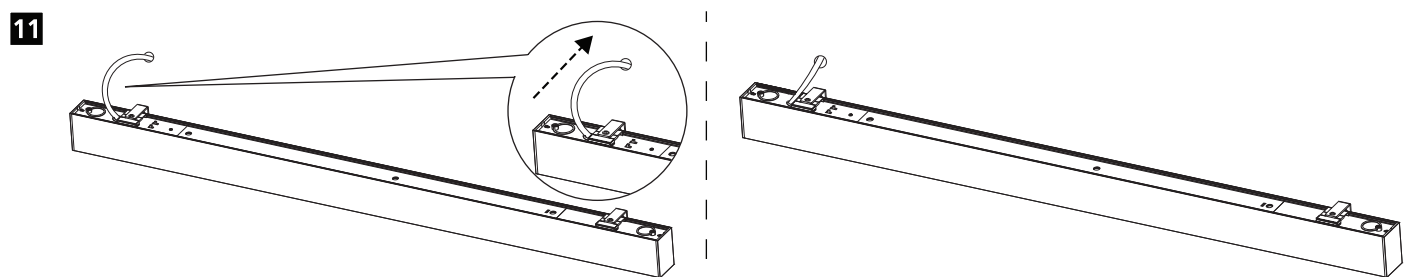
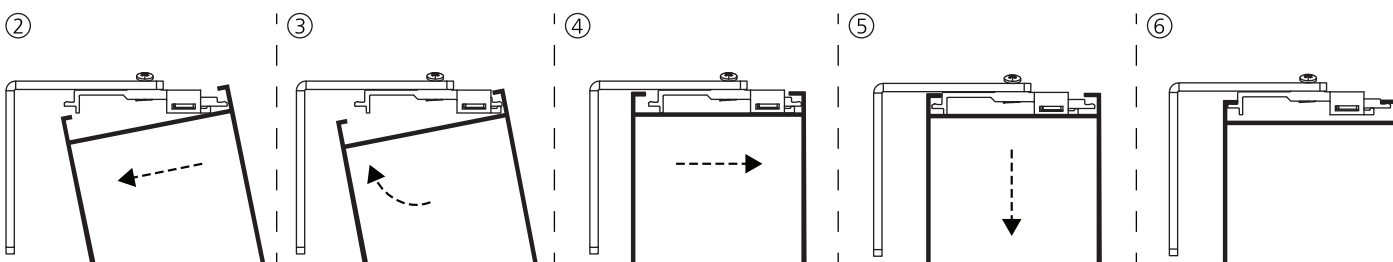
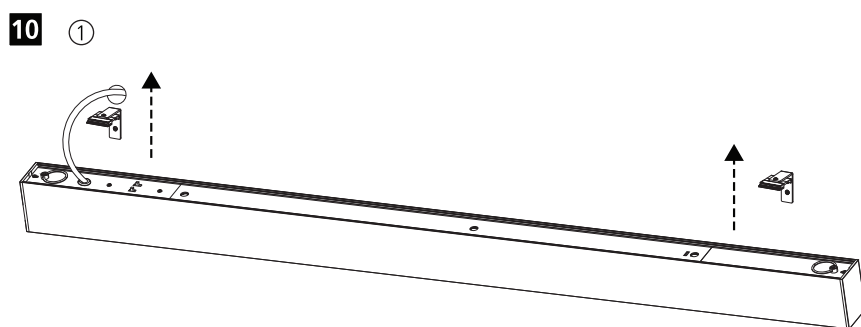


Wall mounting

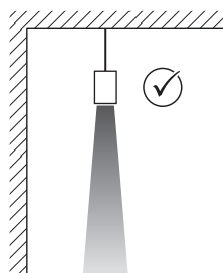
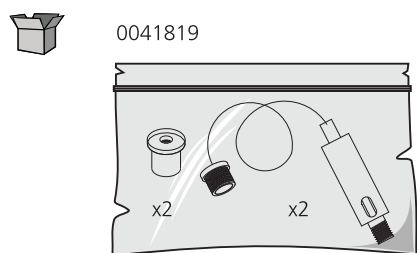


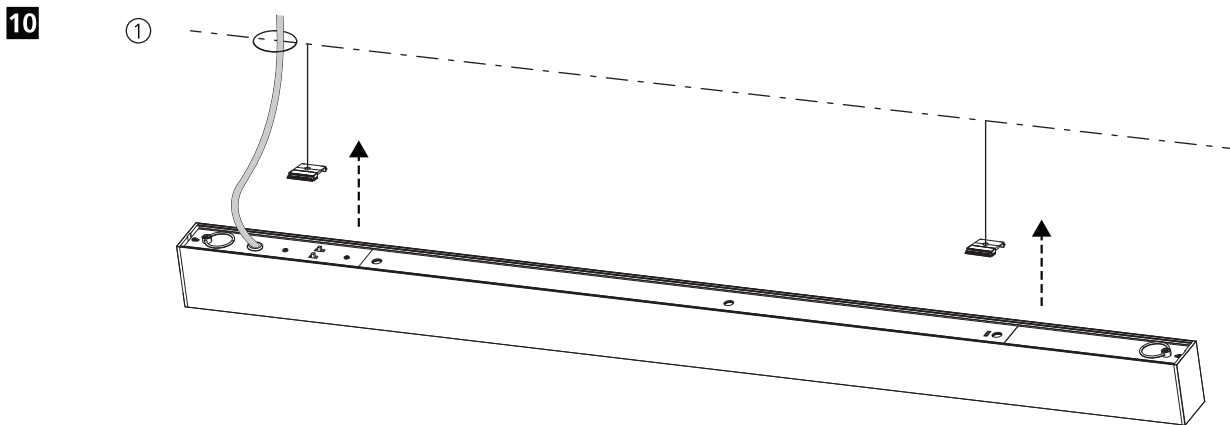
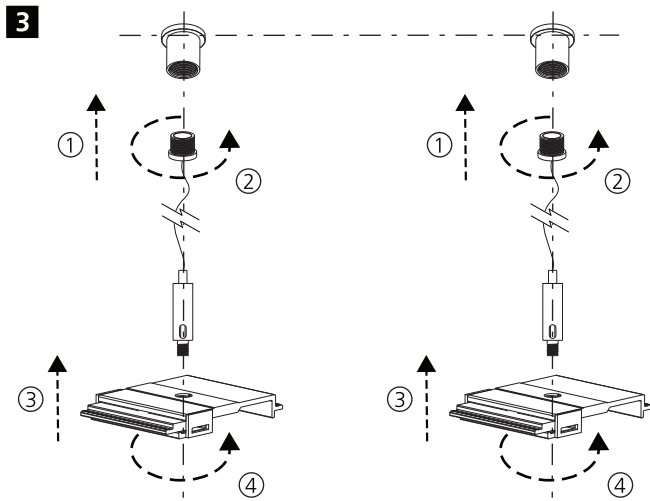
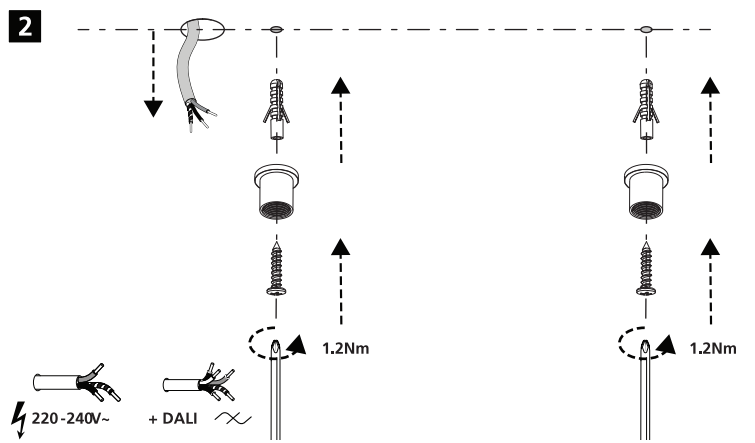
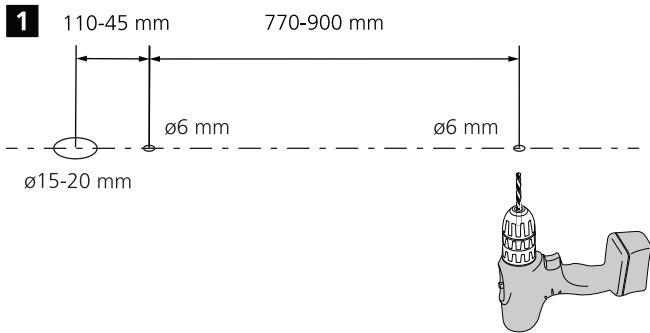
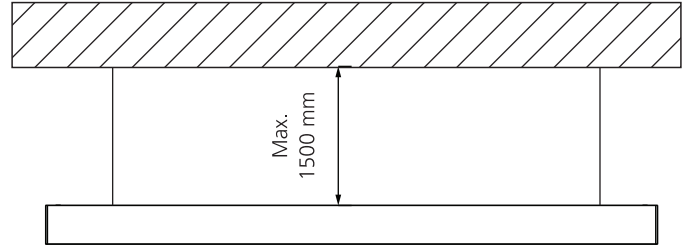
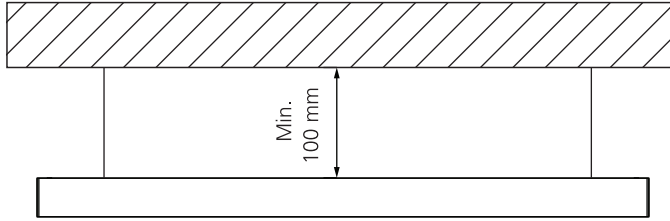
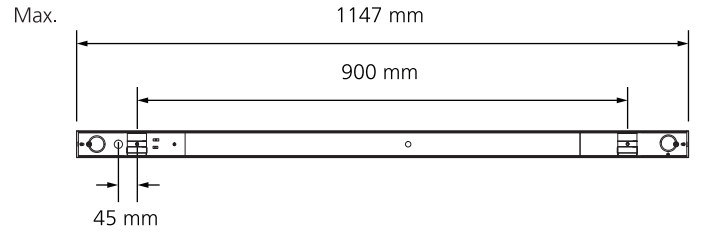
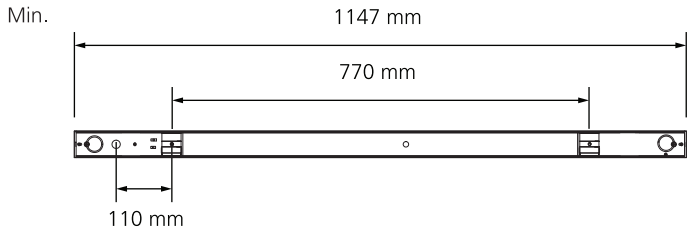


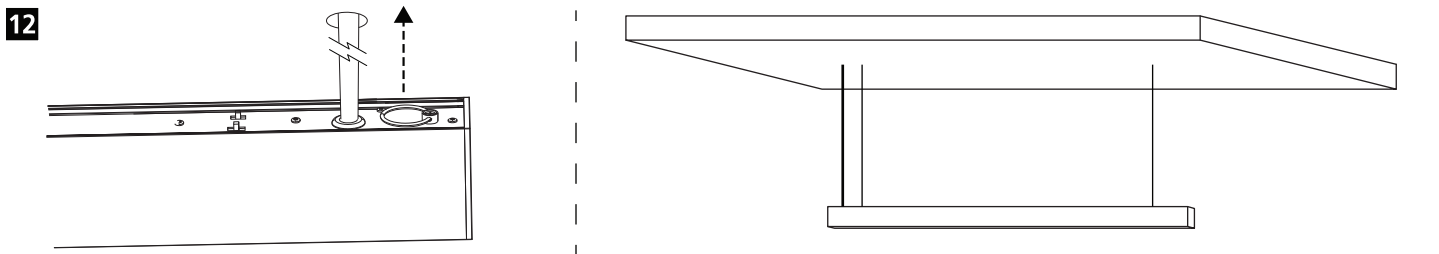
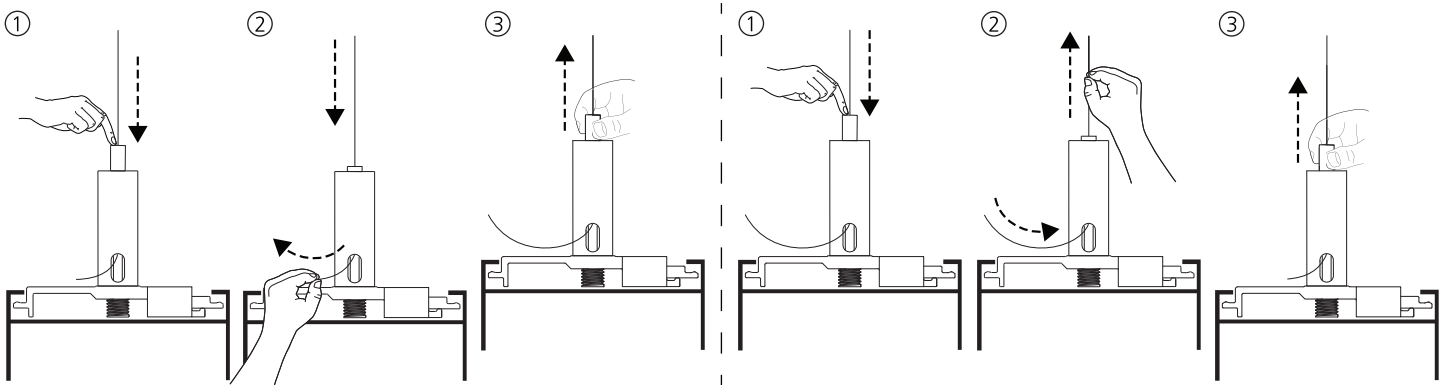
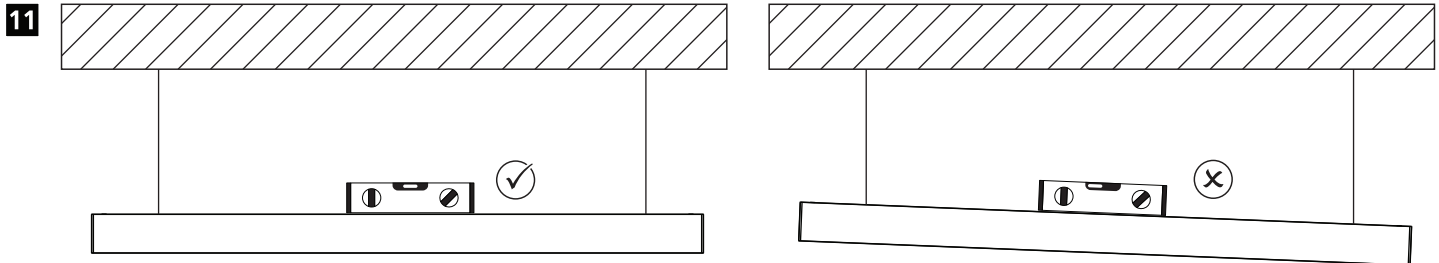
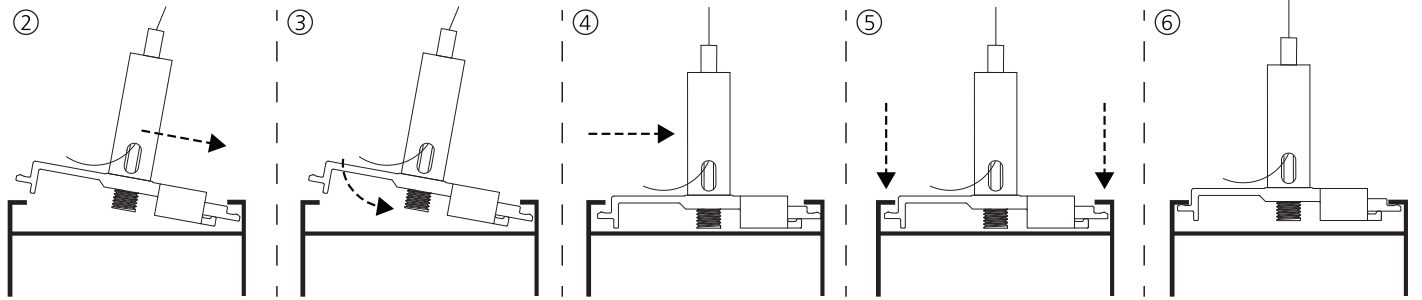
4 - 9 I - VII



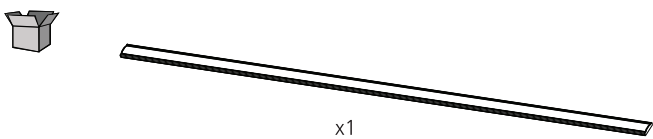
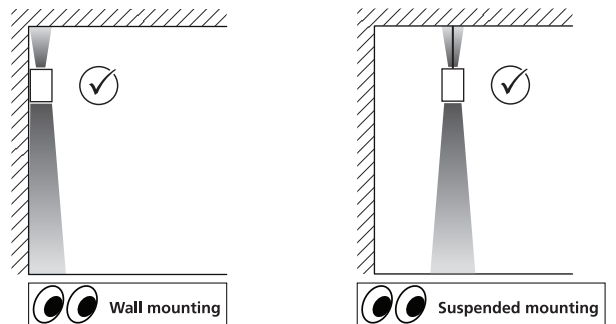
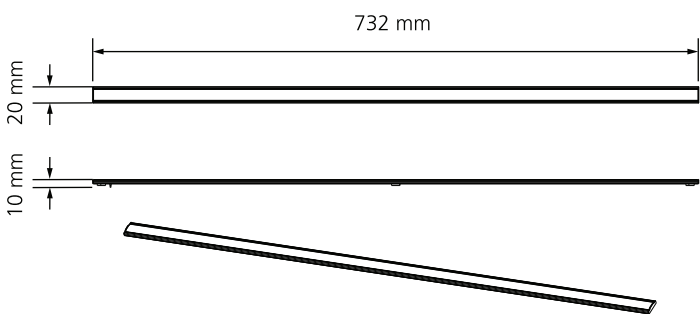
Suspended mounting



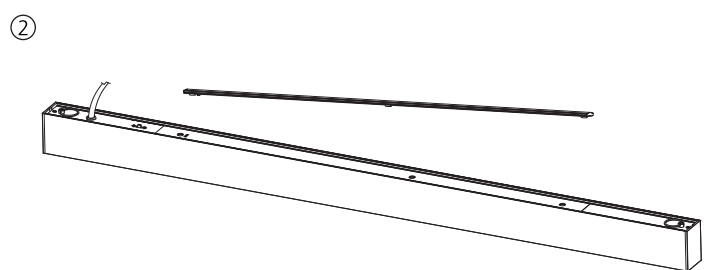
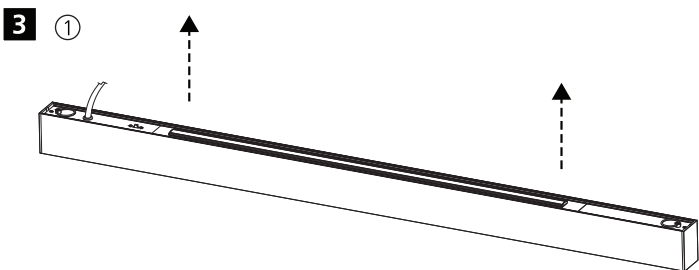
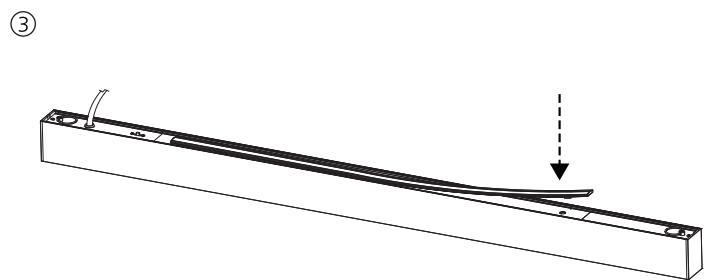
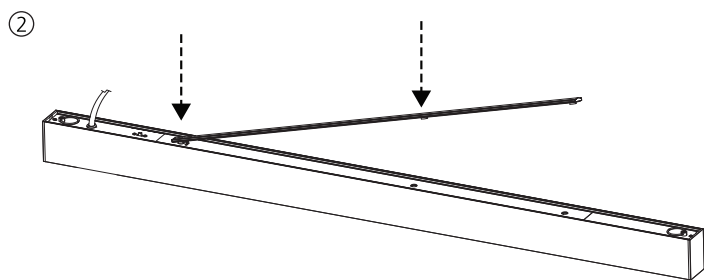
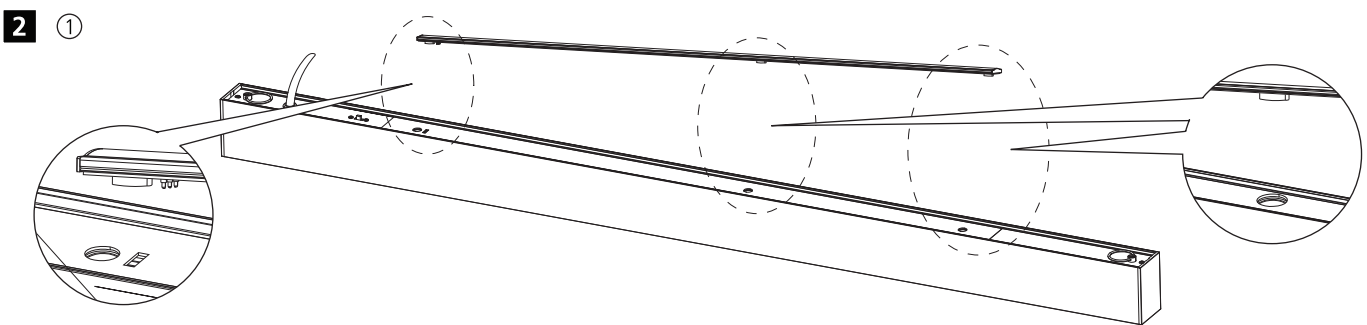
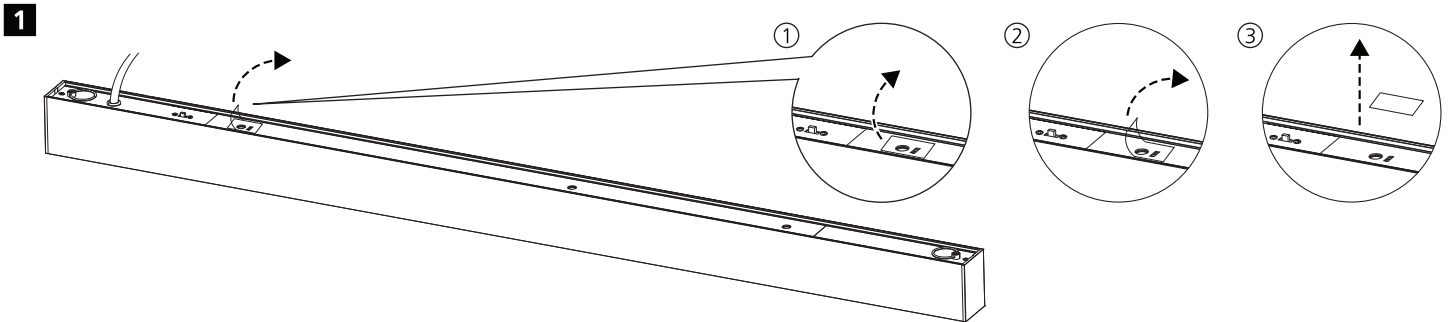





Uplight module - 0041815, 0041813, 0041814

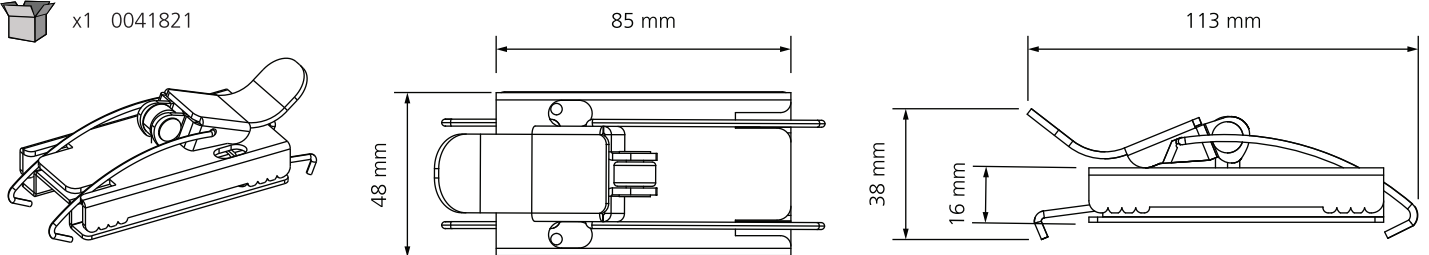


	0041815	0041813	0041814
0041800 / 0041801	✓	✗	✗
0041802 / 0041803	✗	✓	✗
0041804 / 0041805	✗	✗	✓
0041823 / 0041824	✗	✗	✓
0041825 / 0041826	✗	✗	✓

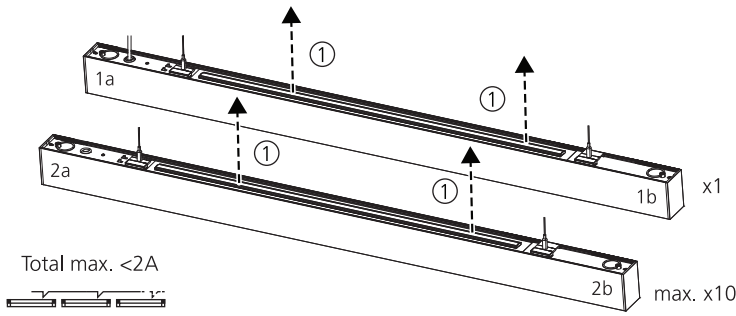


Continuous line - 0041820, 0041821

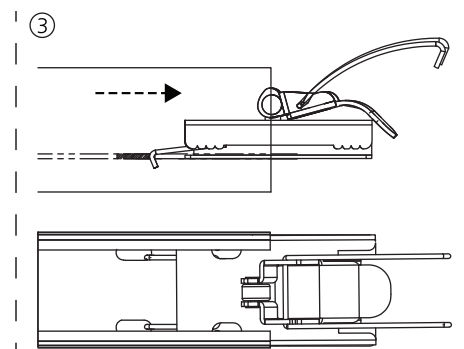
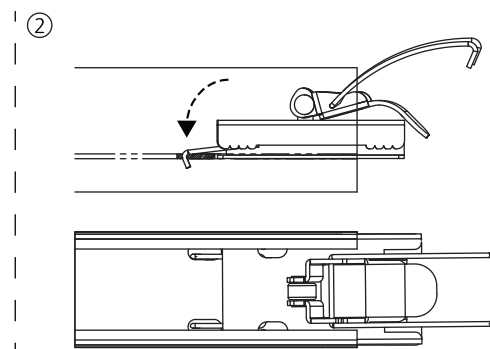
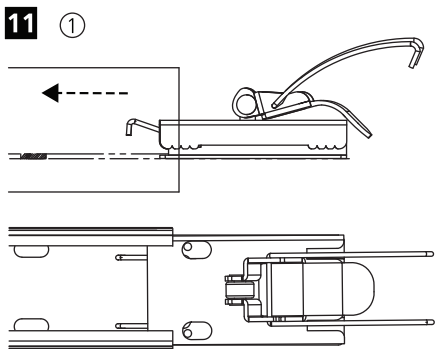
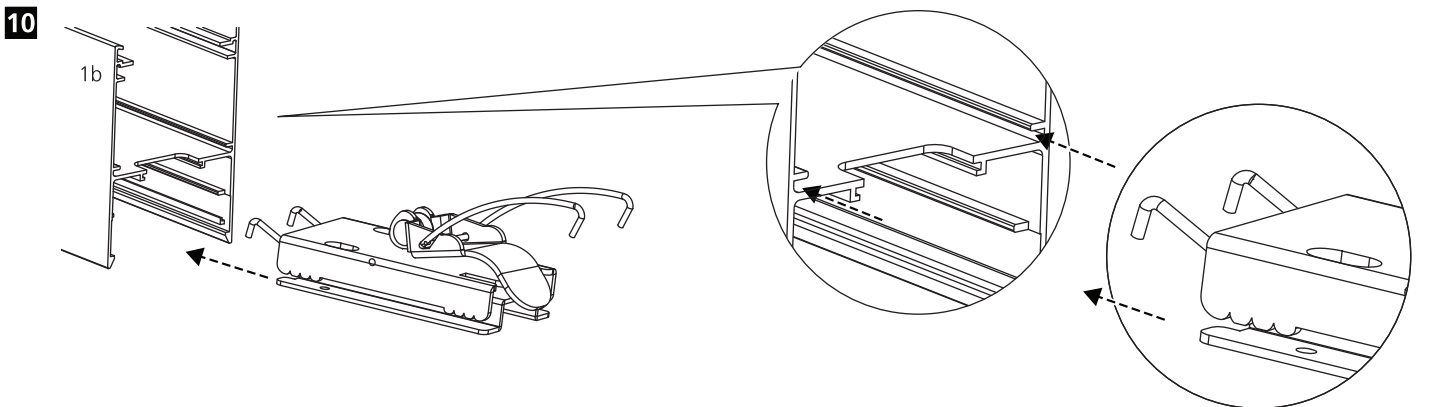
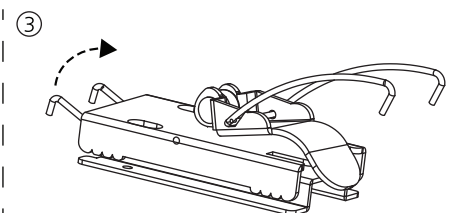
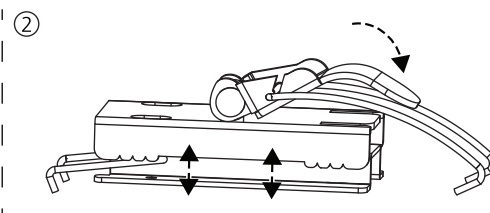
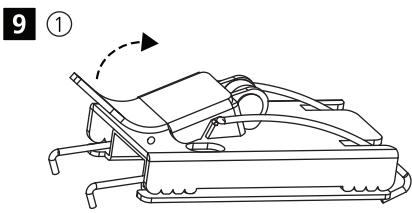
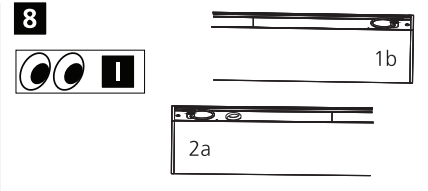
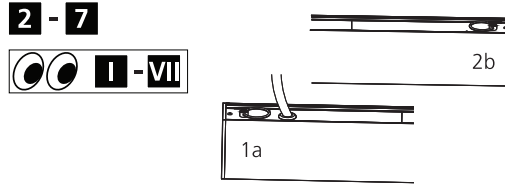
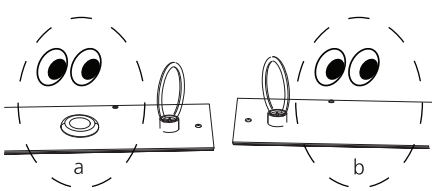
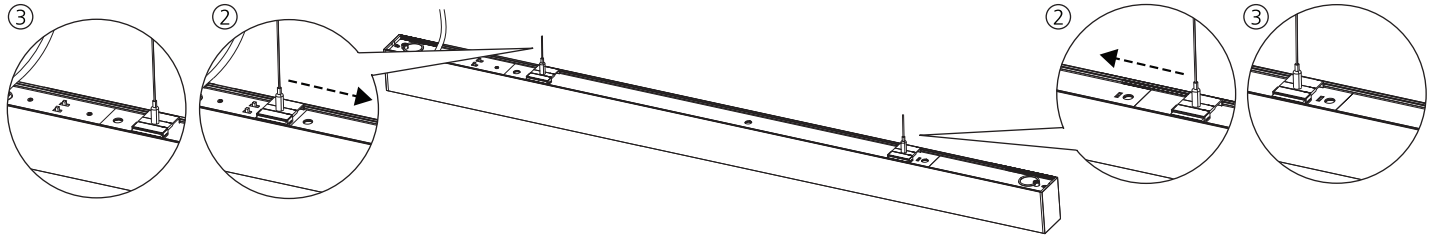
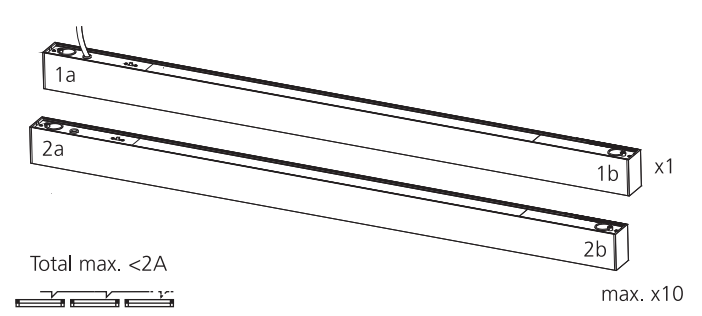
 x1 0041821

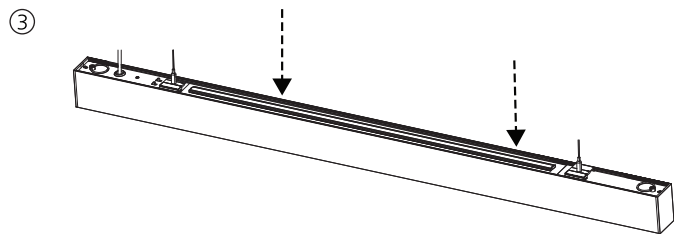
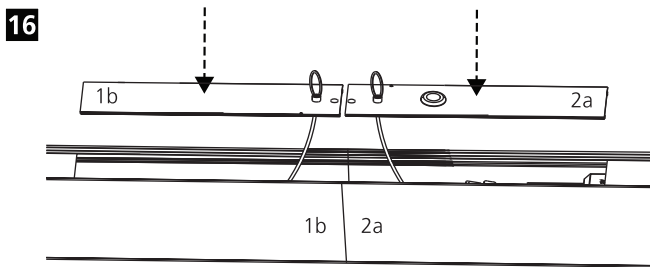
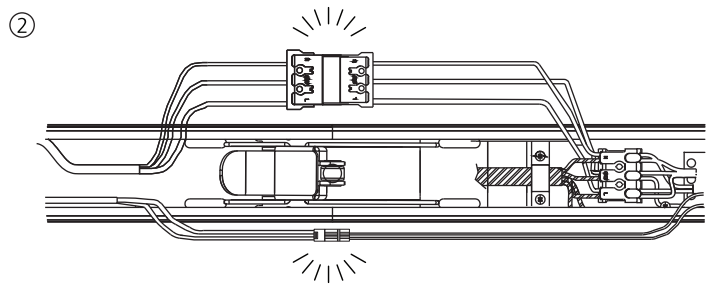
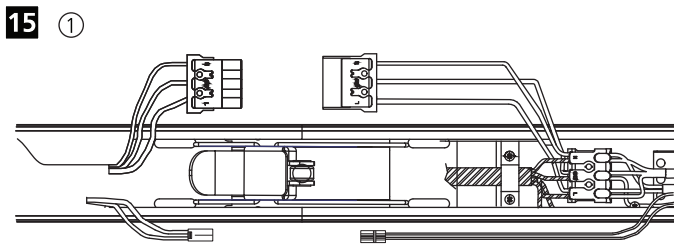
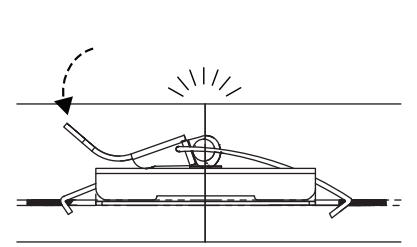
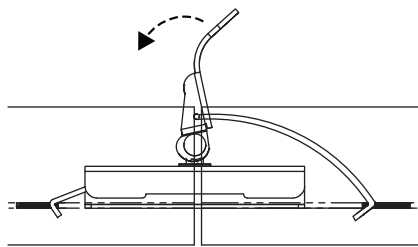
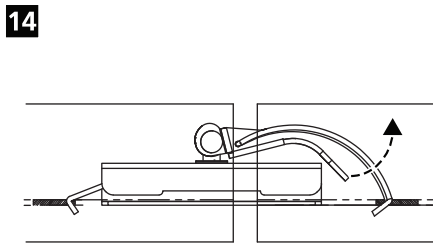
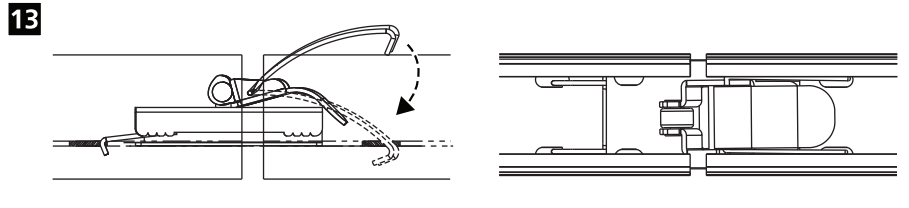
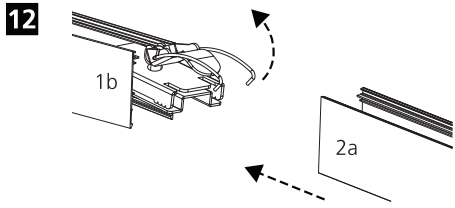


1 Suspended mounting, Uplight module

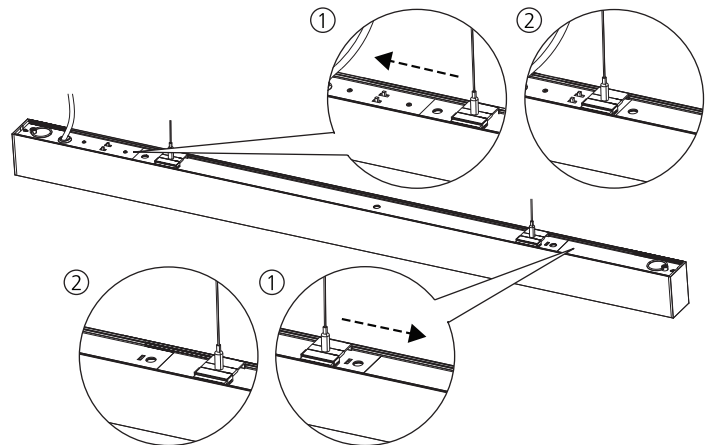


1 Wall mounting, Surface mounting



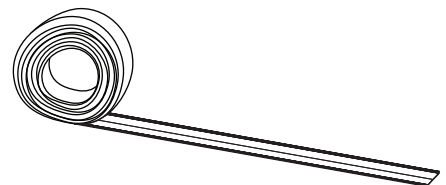
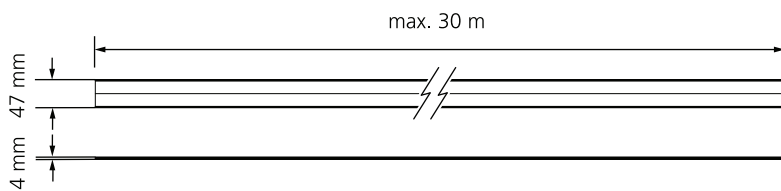


17 Suspended mounting, Uplight module



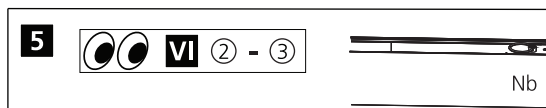
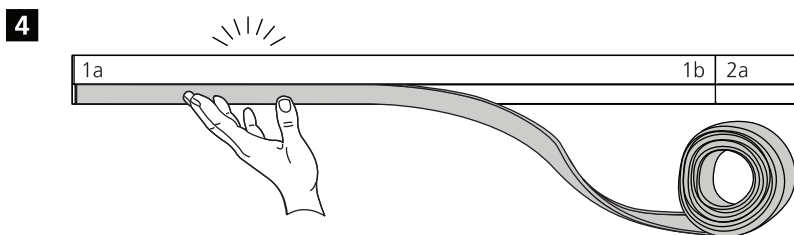
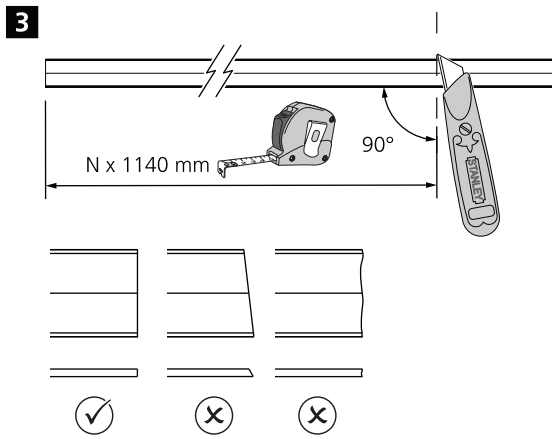
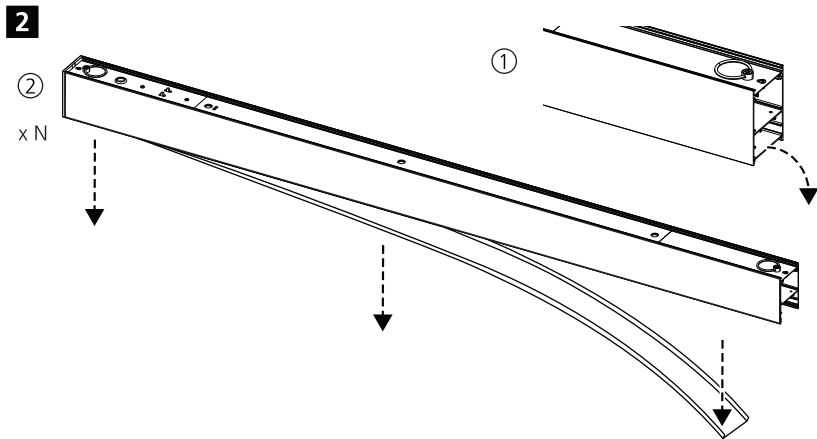
x1 0041821

Opal



1

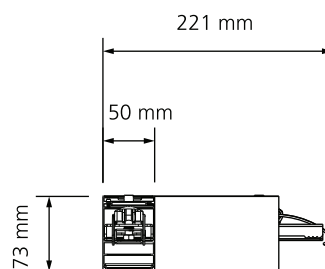
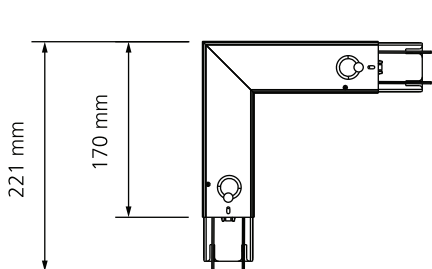
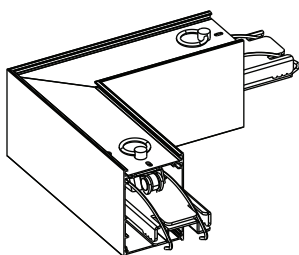




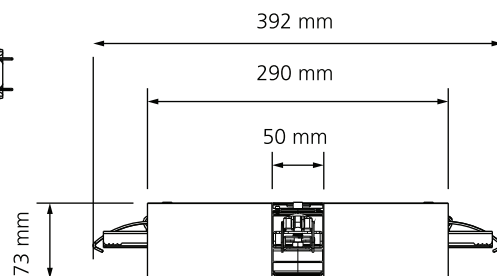
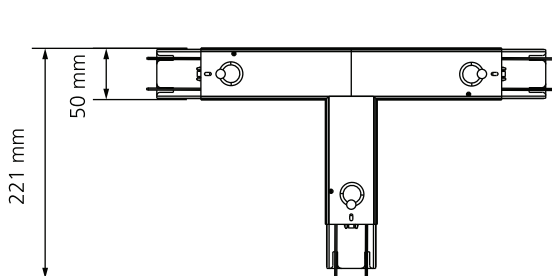
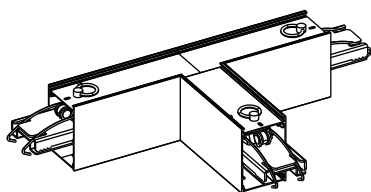
Continuous line - L/T/X connection - 0041820, 0041821, 0041809, 0041810, 0041811

Opal

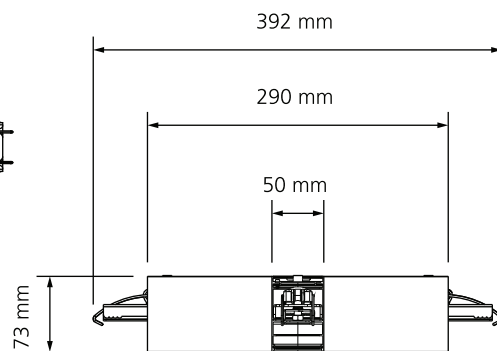
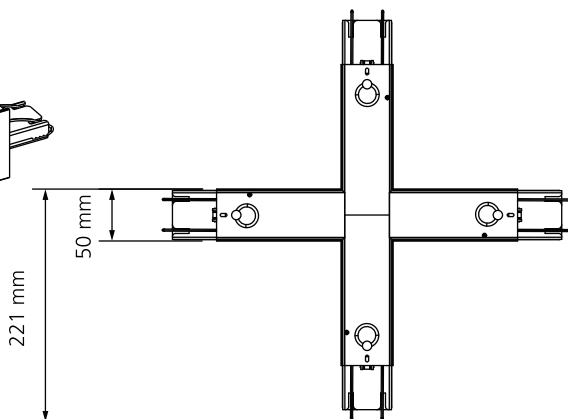
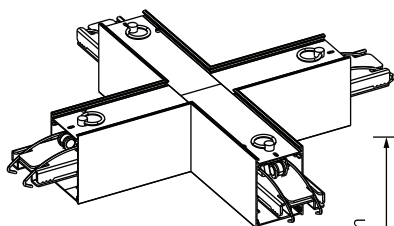
x1 L - 0041809



x1 T - 0041810



x1 X - 0041811

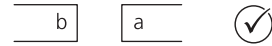


1 - 17

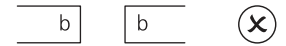
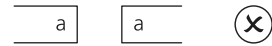
Continuous line 1 - 17

! Continuous line

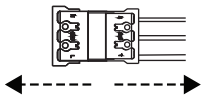
1 - 15 ① , A - E , 15 ② - 17



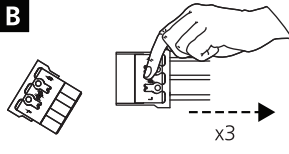
!



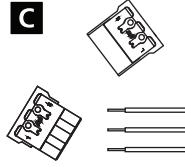
A



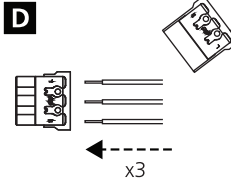
B



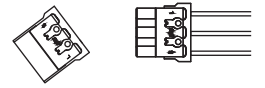
C



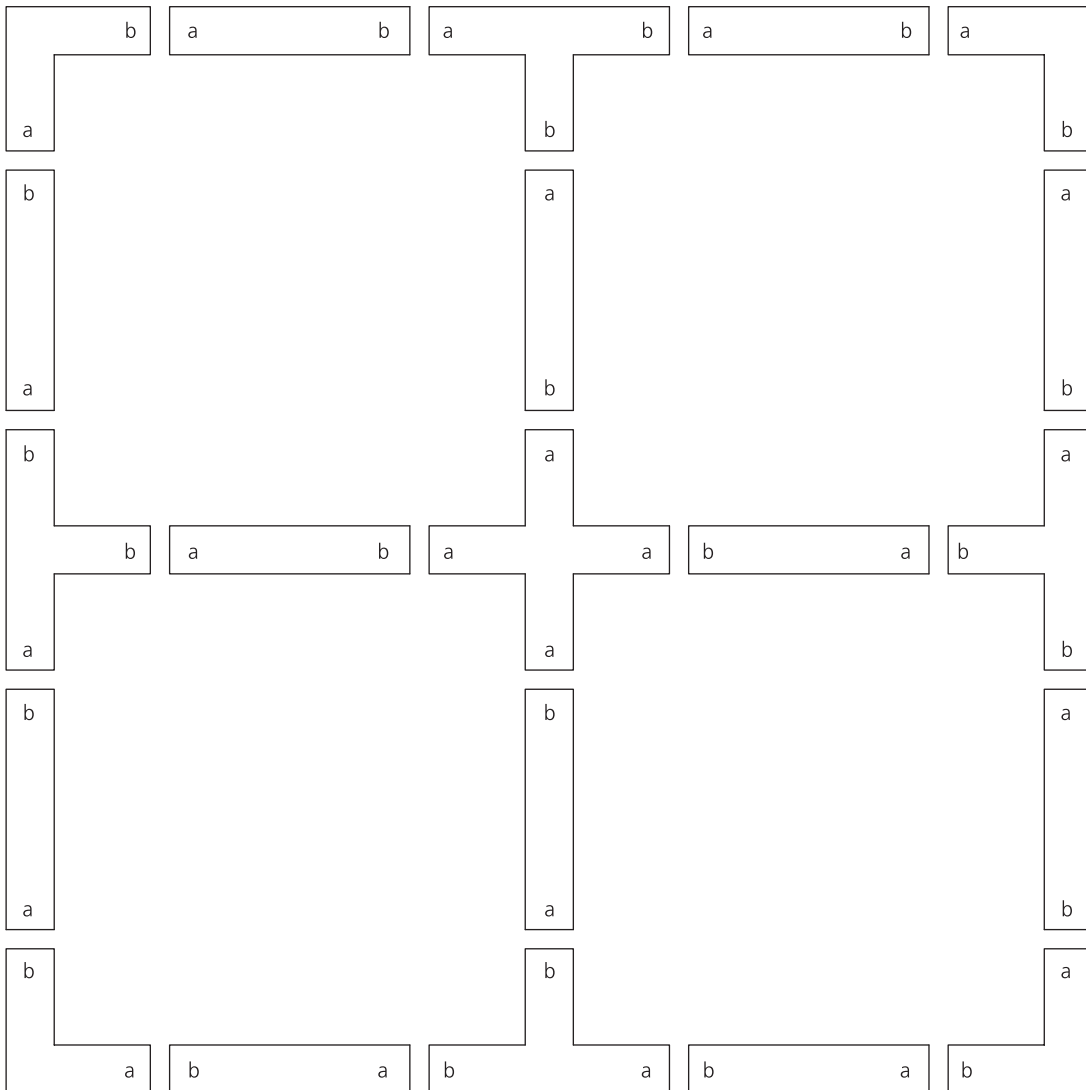
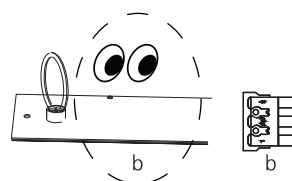
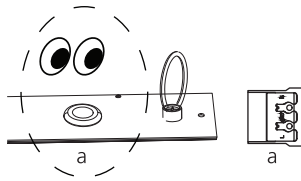
D



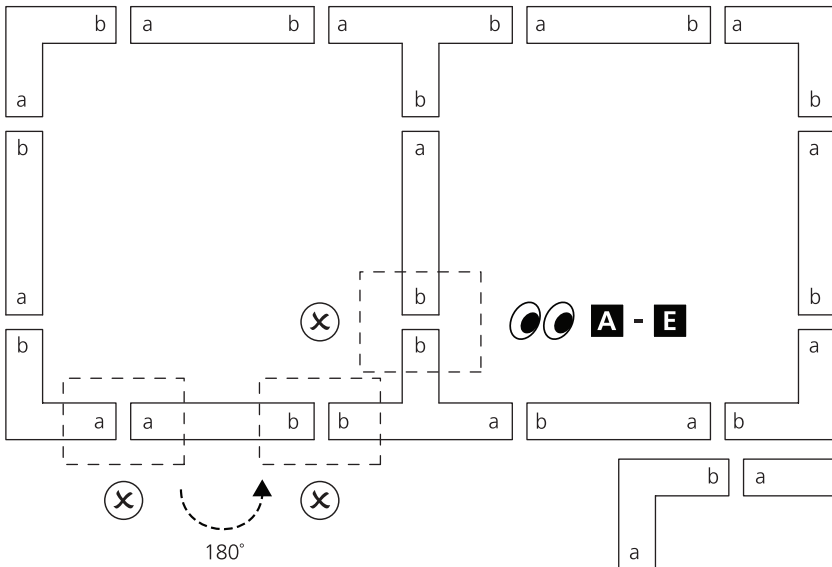
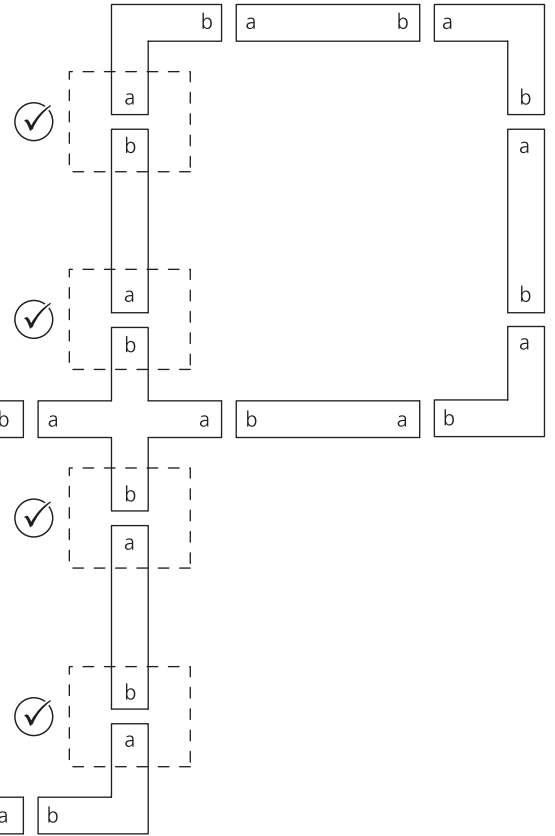
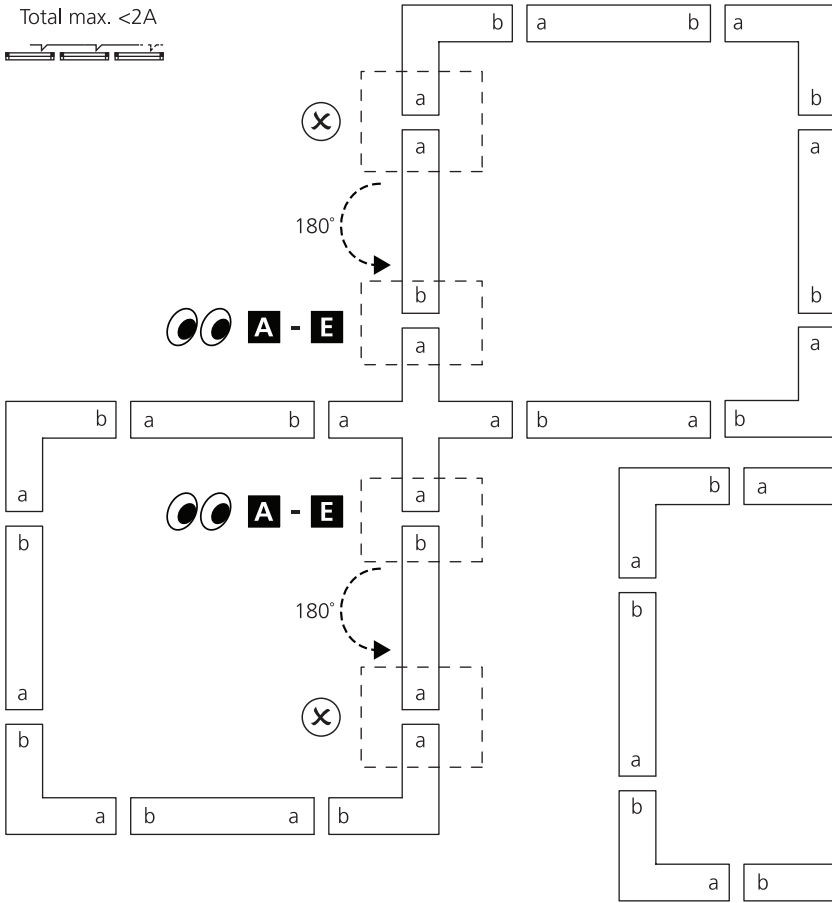
E



Total max. <2A



Total max. <2A



Total max. <2A

