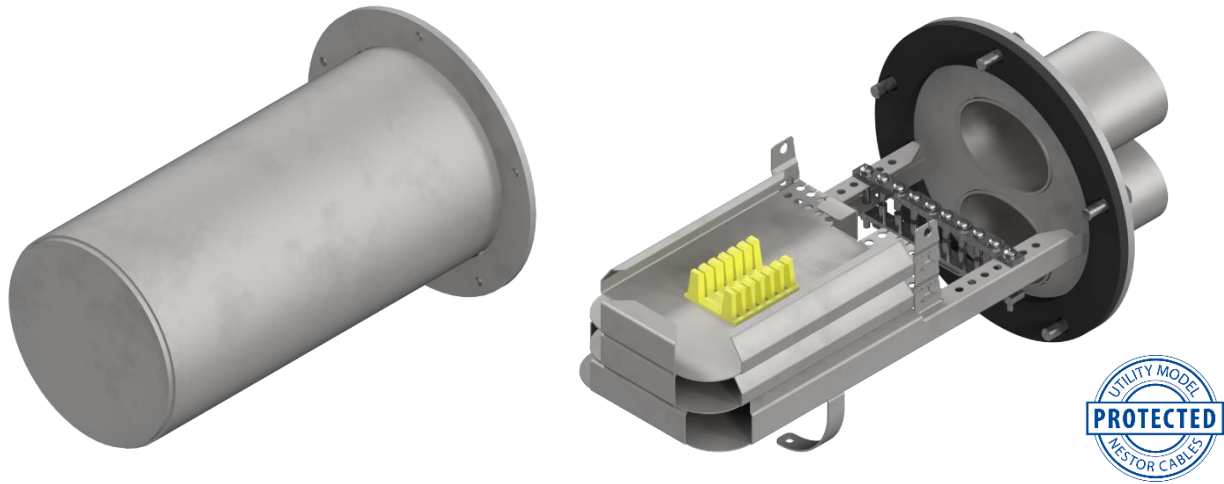


NESTOR STEEL CLOSURE – SMALL SIZE

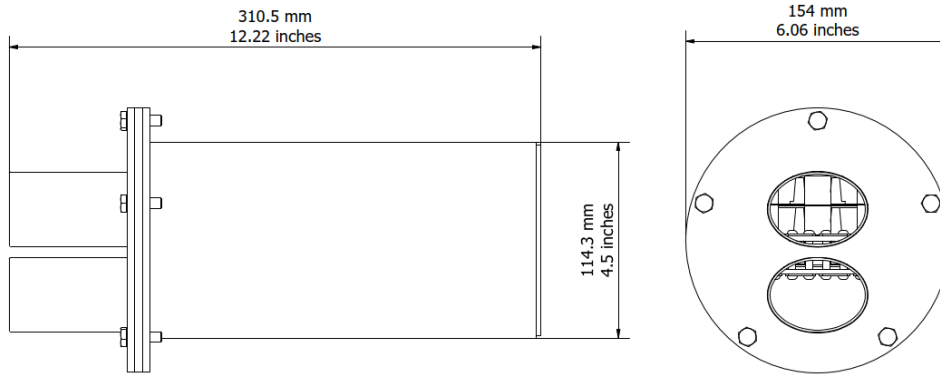


APPLICATION

Suitable for all direct buried, manhole and pole or wall mounted jointing and branching applications.

FEATURES

- Customizable according to your needs up to 72 splice capacity.
 - Fixed splice tray for 24 splice capacity.
 - One extra splice tray for 48 splice capacity.
 - Two extra splice trays for 72 splice capacity.
- Perfect for harsh environments.
 - IP68-rated watertight base and dome with screws and secure sealing system.
 - Robust and bulletproof construction.
 - Made of acid-proof stainless steel.
- Easy-to-access mechanical compression port seals or traditional heat-shrinkable port seals.
 - Wide range of mechanical port seals available up to 23 mm.
 - Heat-shrinkable port seals available up to 25 mm.
- Quick and easy installation.
 - Minimizes time spent on site.
 - Increases the speed of deployment.
- Safe area below splice trays for midspan storage.
- Mounting- and grounding bars for incoming cables.
- Quick and easy installation of extra splice trays.
 - Available for heat-shrinkable splice and ANT crimp splice.

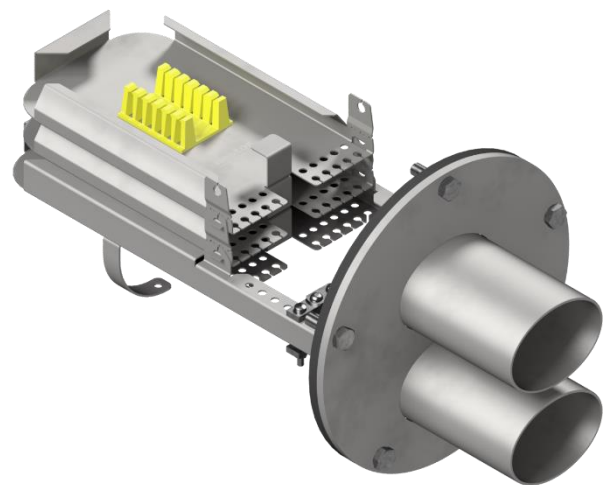


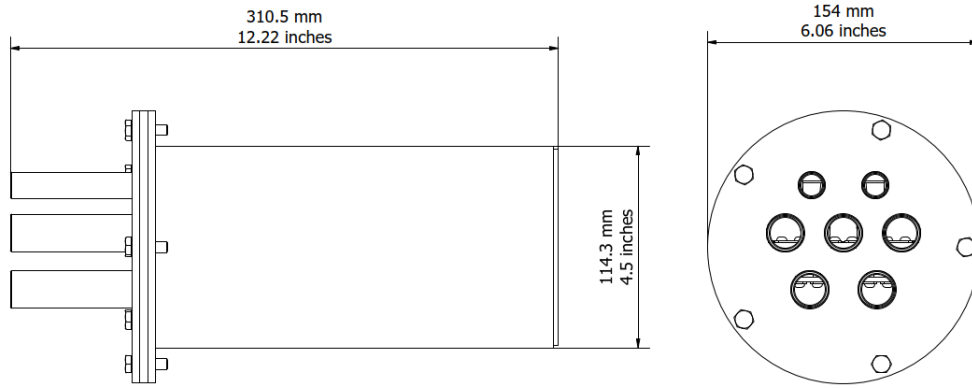
PRODUCT INFORMATION		
Ports	2 pcs	55.6 x 40.9 mm
Cable diameter	5 - 23 mm	
Splice capacity	Up to 72	
Dimensions	310.5 x 154 x 154 mm	12.22 x 6.06 x 6.06 inches
Material	Acid-proof stainless steel	
IP code	IP68	

PRE-CONFIGURED PRODUCT CODES				
Code	Description	Cable port sealing type	Splice capacity	Splice type
LV3642	NSC-S-MCP-24-HS	Mechanical compression	24	Heat-shrinkable
LV3643	NSC-S-MCP-24-ANT	Mechanical compression	24	ANT crimp
LV3644	NSC-S-MCP-48-HS	Mechanical compression	48	Heat-shrinkable
LV3645	NSC-S-MCP-48-ANT	Mechanical compression	48	ANT crimp
LV3646	NSC-S-MCP-72-HS	Mechanical compression	72	Heat-shrinkable
LV3647	NSC-S-MCP-72-ANT	Mechanical compression	72	ANT crimp

MECHANICAL COMPRESSION SEALS				
Code	Description	Min. cable diameter	Max. cable diameter	Midspan access
LV2725	Nestor Mech Seal 6 x 7mm	5.0 mm	7.5 mm	No
LV2543	Nestor Mech Seal 6 x 10mm	7.5 mm	10.5 mm	No
LV2544	Nestor Mech Seal 4 x 15mm	10.5 mm	15.3 mm	Yes
LV2545	Nestor Mech Seal 2 x 18mm	15.3 mm	18.5 mm	Yes
LV2546	Nestor Mech Seal 2 x 23mm	18.5 mm	23.1 mm	Yes

BASIC ASSEMBLY		
Dome closure		1 pc
Heat-shrink plugs for unused ports		1 pc
Heat-shrink tube 56/16 mm		2 x 200 mm
Branching part for midspan access		2 pcs
Grounding clip for 16 mm ² wire		1 pc
Grounding wire 2,5 mm ²		2 pcs
Corrugated cable clamp		2 pcs
Oetiker hose clamp 7-9 mm		2 pcs
Oetiker hose clamp 8-11 mm		2 pcs
Cable tie 3x100 mm		1 x 12 pcs
Velcro tape loop		390 mm
Cleaning tissue		1 pc
Silica gel 25 g		1 pc
Cardboard box	470 x 305 x 170 mm 18.5 x 12 x 6.7 inches	1 pc

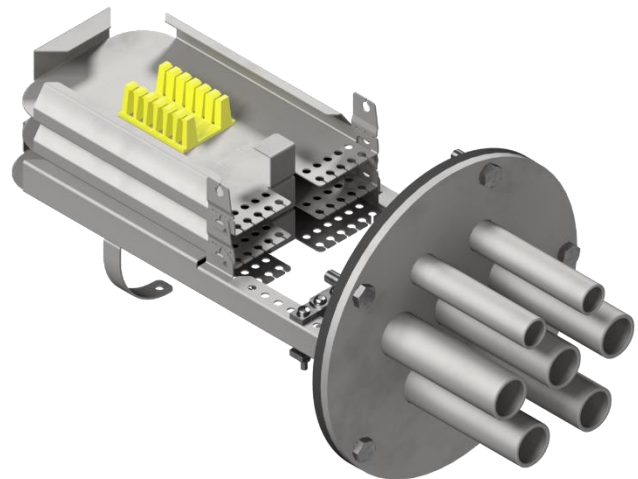




PRODUCT INFORMATION		
Ports	2 pcs 5 pcs	Ø 12 mm Ø 17.3 mm
Cable diameter	6 - 25 mm	
Splice capacity	Up to 72	
Dimensions	310.5 x 154 x 154 mm	12.22 x 6.06 x 6.06 inches
Material	Acid-proof stainless steel	
IP code	IP68	

PRE-CONFIGURED PRODUCT CODES				
Code	Description	Cable port sealing type	Splice capacity	Splice type
LV3648	NSC-S-HSP-24-HS	Heat-shrinkable	24	Heat-shrinkable
LV3649	NSC-S-HSP-24-ANT	Heat-shrinkable	24	ANT crimp
LV3650	NSC-S-HSP-48-HS	Heat-shrinkable	48	Heat-shrinkable
LV3651	NSC-S-HSP-48-ANT	Heat-shrinkable	48	ANT crimp
LV3652	NSC-S-HSP-72-HS	Heat-shrinkable	72	Heat-shrinkable
LV3653	NSC-S-HSP-72-ANT	Heat-shrinkable	72	ANT crimp

BASIC ASSEMBLY		
Dome closure		1 pc
Heat-shrink plugs for unused ports		5 pcs
Heat-shrink tube 33/8 mm		5 x 200 mm
Heat-shrink tube 22/6 mm		2 x 200 mm
Grounding clip for 16 mm ² wire		1 pc
Grounding wire 2,5 mm ²		2 pcs
Corrugated cable clamp		2 pcs
Oetiker hose clamp 7-9 mm		2 pcs
Oetiker hose clamp 8-11 mm		2 pcs
Cable tie 3x100 mm		1 x 12 pcs
Velcro tape loop		390 mm
Cleaning tissue		1 pc
Silica gel 25 g		1 pc
Cardboard box	470 x 305 x 170 mm 18.5 x 12 x 6.7 inches	1 pc



CONFIGURED PRODUCTS

NSC - _____ - _____ - _____ - _____

1	2	3	4
---	---	---	---

1 Select closure size

XS = Extra small
S = Small
M = Medium
L = Large

2 Select cable port sealing type

MCP = Mechanical compression port
HSP = Heat-shrinkable port

3 Select splice capacity

12 = Up to 12 splices
24 = Up to 24 splices
48 = Up to 48 splices
72 = Up to 72 splices
96 = Up to 96 splices
192 = Up to 192 splices
288 = Up to 288 splices

4 Select splice type

HS = Heat-shrinkable splice
ANT = ANT crimp splice

Note: Configurator is for reference only and all options may not be available or compatible with other options listed. Please contact your Nestor Cables representative for assistance in product configurations.